



US00D927302S

(12) **United States Design Patent** (10) **Patent No.:** **US D927,302 S**
Defois et al. (45) **Date of Patent:** **** Aug. 10, 2021**

(54) **LID FOR CONTAINER**

(57) **CLAIM**

(71) Applicant: **Mead Johnson Nutrition Company,**
Chicago, IL (US)

The ornamental design for a lid for container, as shown and described.

(72) Inventors: **Sophie Claude Marie Defois,**
Singapore (SG); **Grace Naguit Mercado,**
Singapore (SG); **Christianus Petrus Johannes Van Lankveld,**
Huissen (NL)

DESCRIPTION

(73) Assignee: **MEAD JOHNSON NUTRITION COMPANY,**
Evansville, IN (US)

FIG. 1 is a top perspective view of the lid for container from the top and left side in the open position;
FIG. 2 is a top view of the lid for container in the open position;
FIG. 3 is a right side view of the lid for container in the open position;
FIG. 4 is a top side view of the lid for container in the open position;
FIG. 5 is a left side view of the lid for container in the open position;
FIG. 6 is a front view of the lid for container in the open position;
FIG. 7 is a rear view of the lid for container in the open position;
FIG. 8 is a bottom perspective view from the bottom and right side of the lid for container in the open position.
FIG. 9 is a top perspective view of the lid for container from the top and left side in the closed position;
FIG. 10 is a front view of the lid for container in the closed position;
FIG. 11 is a right side view of the lid for container in the closed position;
FIG. 12 is a left side view of the lid for container in the closed position;
FIG. 13 is a rear view of the lid for container in the closed position;
FIG. 14 is a top view of the lid for container in the closed position;
FIG. 15 is a bottom view of the lid for container in the closed position; and,
FIG. 16 is a bottom perspective view from the bottom and right side of the lid for container in the closed position.
The broken lines illustrate portions of the lid for container that form no part of the claimed design.

(**) Term: **15 Years**

(21) Appl. No.: **29/661,086**

(22) Filed: **Aug. 24, 2018**

(30) **Foreign Application Priority Data**

Feb. 23, 2018 (EM) 004724003-0005
Feb. 23, 2018 (EM) 004724003-0007

(51) **LOC (13) Cl.** **09-07**

(52) **U.S. Cl.**
USPC **D9/449**

(58) **Field of Classification Search**
USPC D9/414, 434-436, 438-440, 443-457,
D9/499, 503-505, 682, 685, 686;
(Continued)

(56) **References Cited**

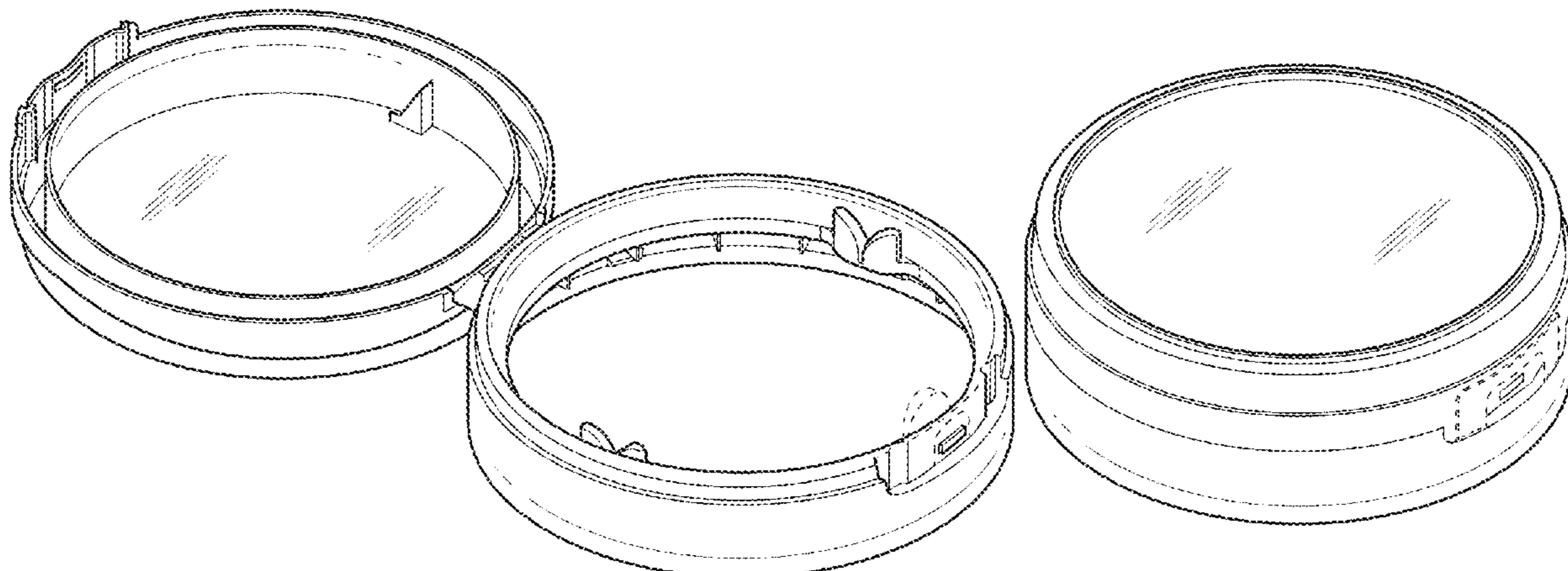
U.S. PATENT DOCUMENTS

D239,437 S * 4/1976 Boduch D9/445
D521,381 S * 5/2006 Hicks D9/449
(Continued)

Primary Examiner — Wendy L Arminio

(74) *Attorney, Agent, or Firm* — Troutman Pepper
Hamilton Sanders LLP; Ryan Schneider; Chris N. Davis

1 Claim, 16 Drawing Sheets



US D927,302 S

Page 2

(58) **Field of Classification Search**

USPC D7/387, 391, 392, 392.1, 396.2–396.4,
D7/401.1, 507, 509–511, 538, 900;
D3/202, 203.2, 318; D28/91.1
CPC .. A61J 1/00; A61J 1/1412; B65D 1/00; B65D
1/02; B65D 1/10; B65D 1/46; B65D
5/46; B65D 41/00; B65D 41/38; B65D
41/56; B65D 41/62; B65D 47/00; B65D
47/06; B65D 47/08; B65D 2251/00;
B65D 2543/00046; B65D 2543/00092;
B65D 2543/00296; B65D 2585/56; B65D
2585/545

See application file for complete search history.

(56) **References Cited**

U.S. PATENT DOCUMENTS

D521,866 S * 5/2006 Hicks D9/449
D522,363 S * 6/2006 Hicks D9/449
D522,364 S * 6/2006 Hicks D9/449

D536,975 S * 2/2007 Smith D9/449
D538,652 S * 3/2007 De Groot D9/449
D552,990 S * 10/2007 Vogel D9/435
D562,684 S * 2/2008 Brashear D9/454
D577,287 S * 9/2008 Haltom, III D9/454
D609,082 S * 2/2010 Camisasca D8/382
D609,568 S * 2/2010 Mazurkiewicz D9/449
D628,068 S * 11/2010 Gonzalez Sanchez D9/449
D640,556 S * 6/2011 Bragg D9/449
D661,583 S * 6/2012 Santarelli D9/449
D663,202 S * 7/2012 Biesecker D9/449
D690,200 S * 9/2013 Arand D9/449
D712,262 S * 9/2014 Humm D9/449
D712,264 S * 9/2014 Humm D9/449
D773,302 S * 12/2016 Henriksson D9/451
D814,931 S * 4/2018 Alima D9/454
10,421,589 B1 * 9/2019 Quinn B65D 1/12
10,435,210 B1 * 10/2019 Quinn B65D 43/163
2006/0191933 A1 * 8/2006 Hicks B65D 47/0804
220/254.3
2016/0347517 A1 * 12/2016 Ellenkamp-Van Olst
B65D 47/2031

* cited by examiner

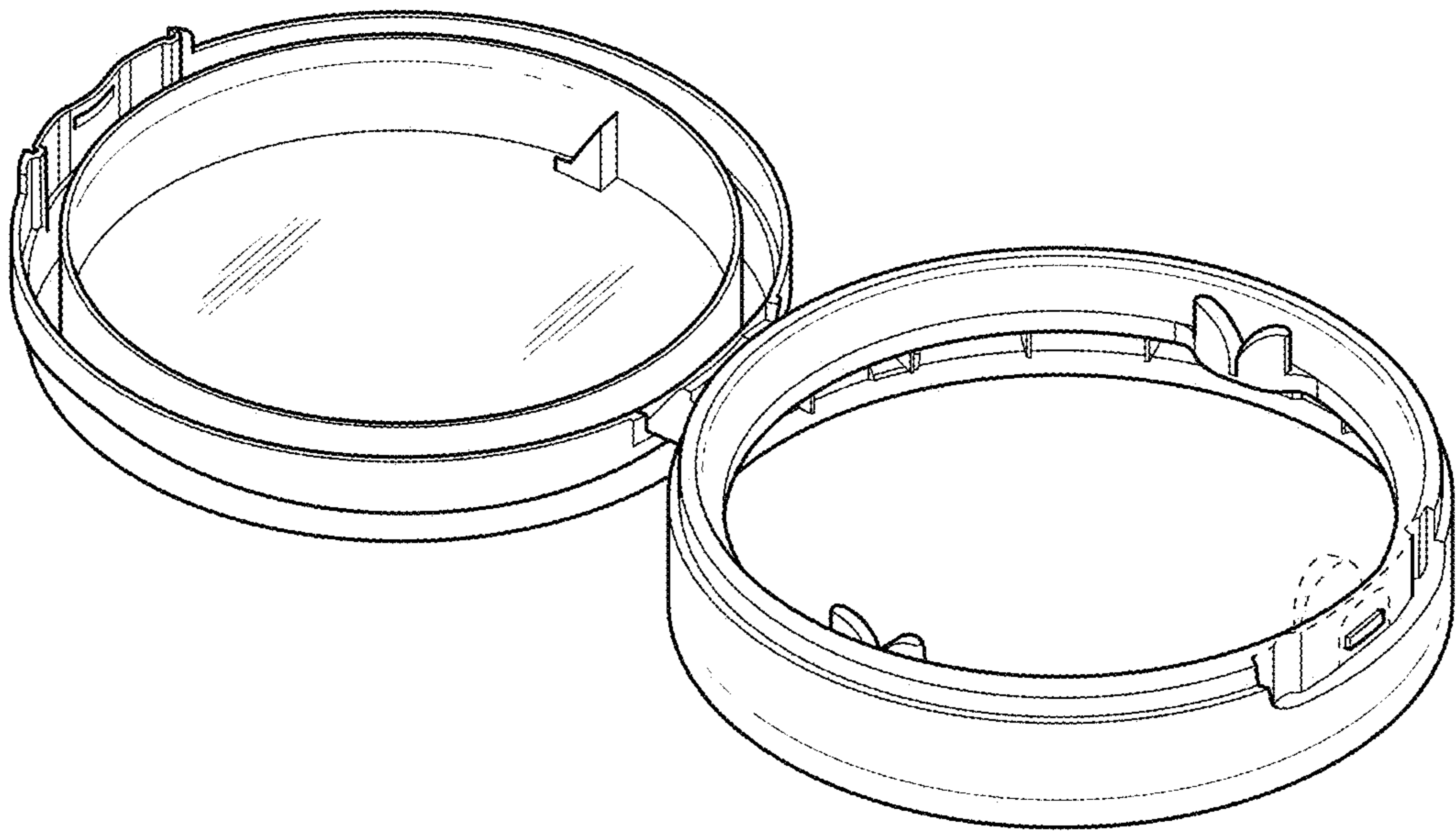


Fig. 1

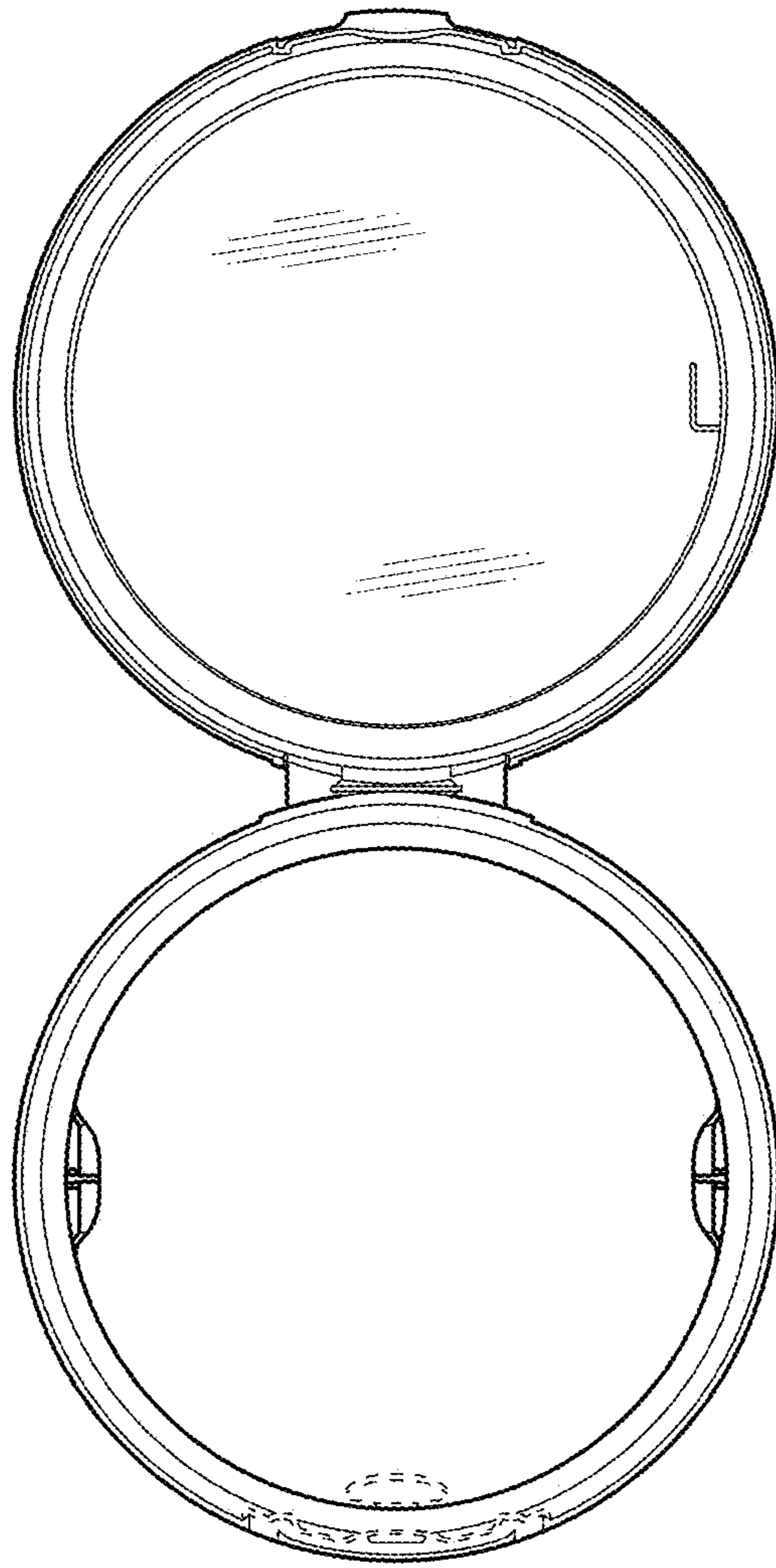


Fig. 2

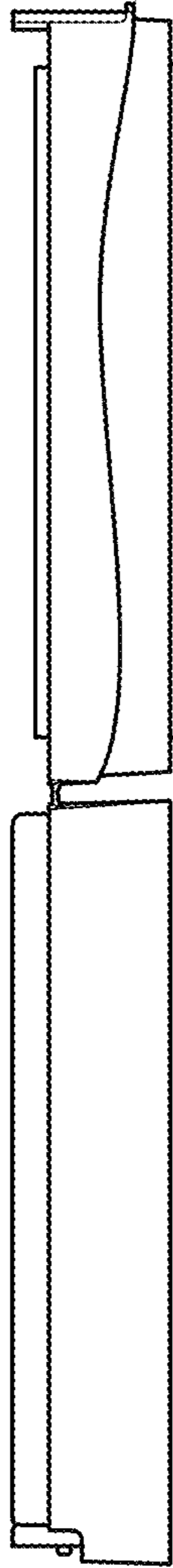


Fig. 3

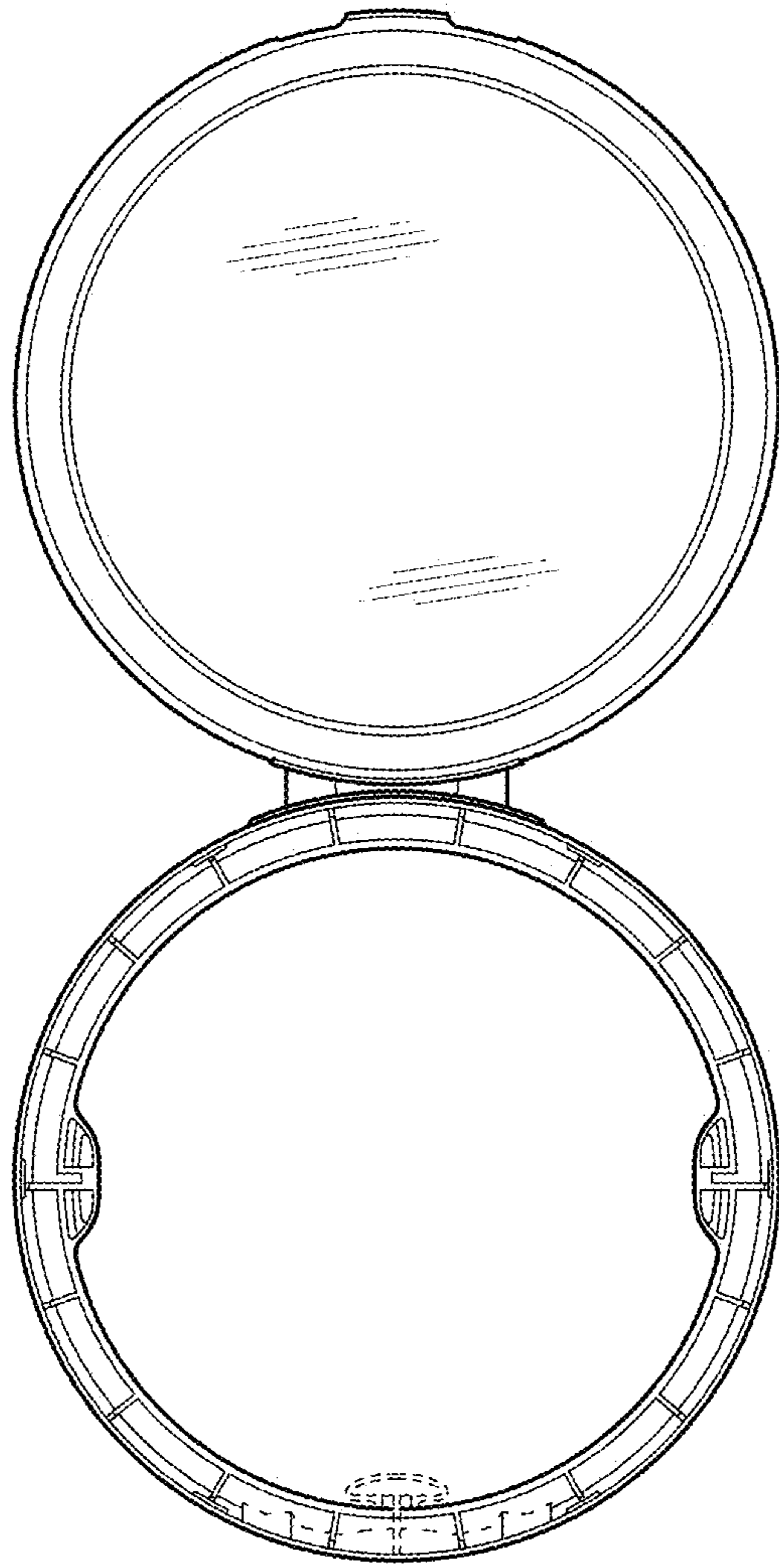


Fig. 4

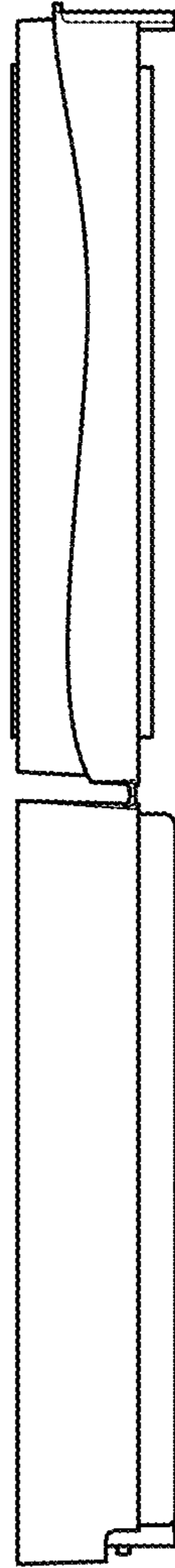


Fig. 5

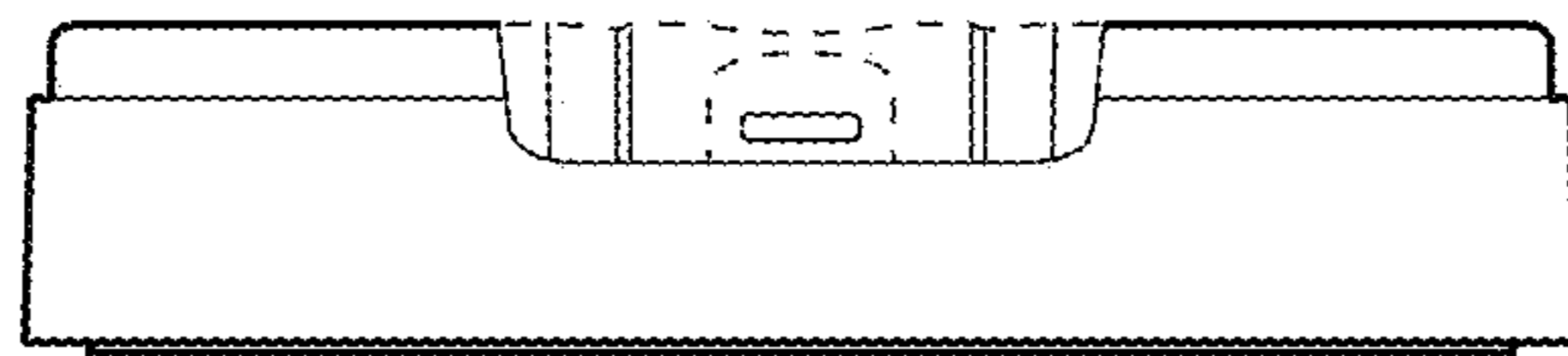


Fig. 6

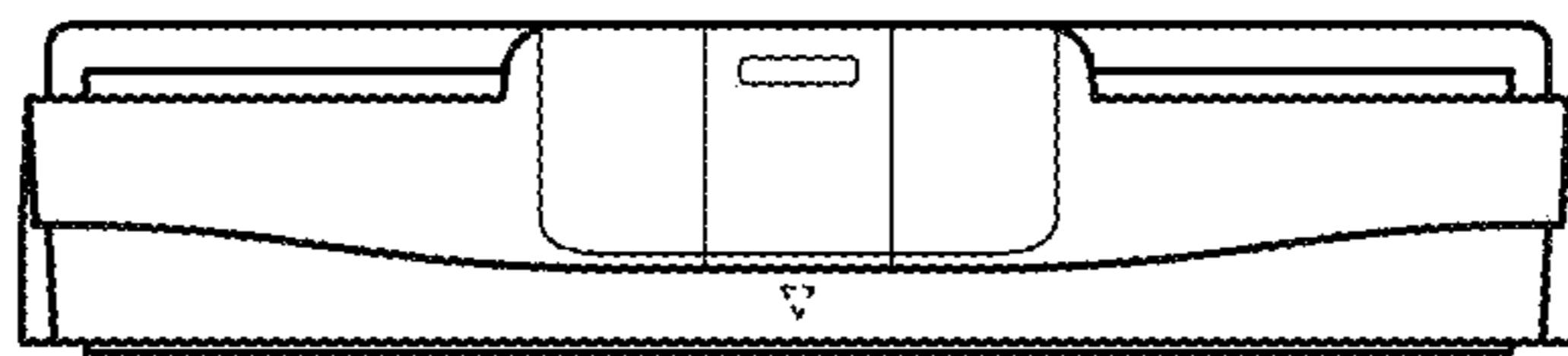


Fig. 7

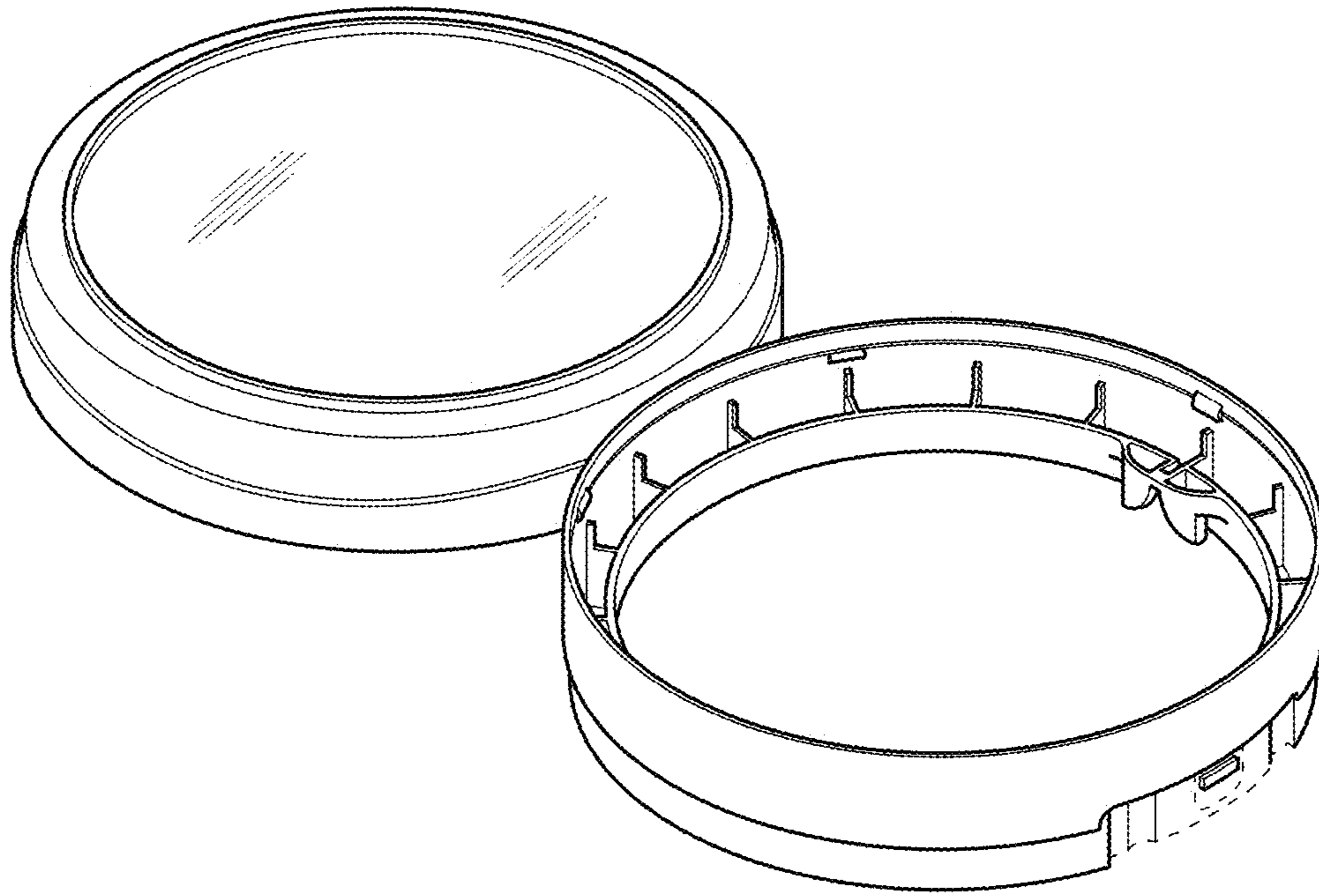


Fig. 8

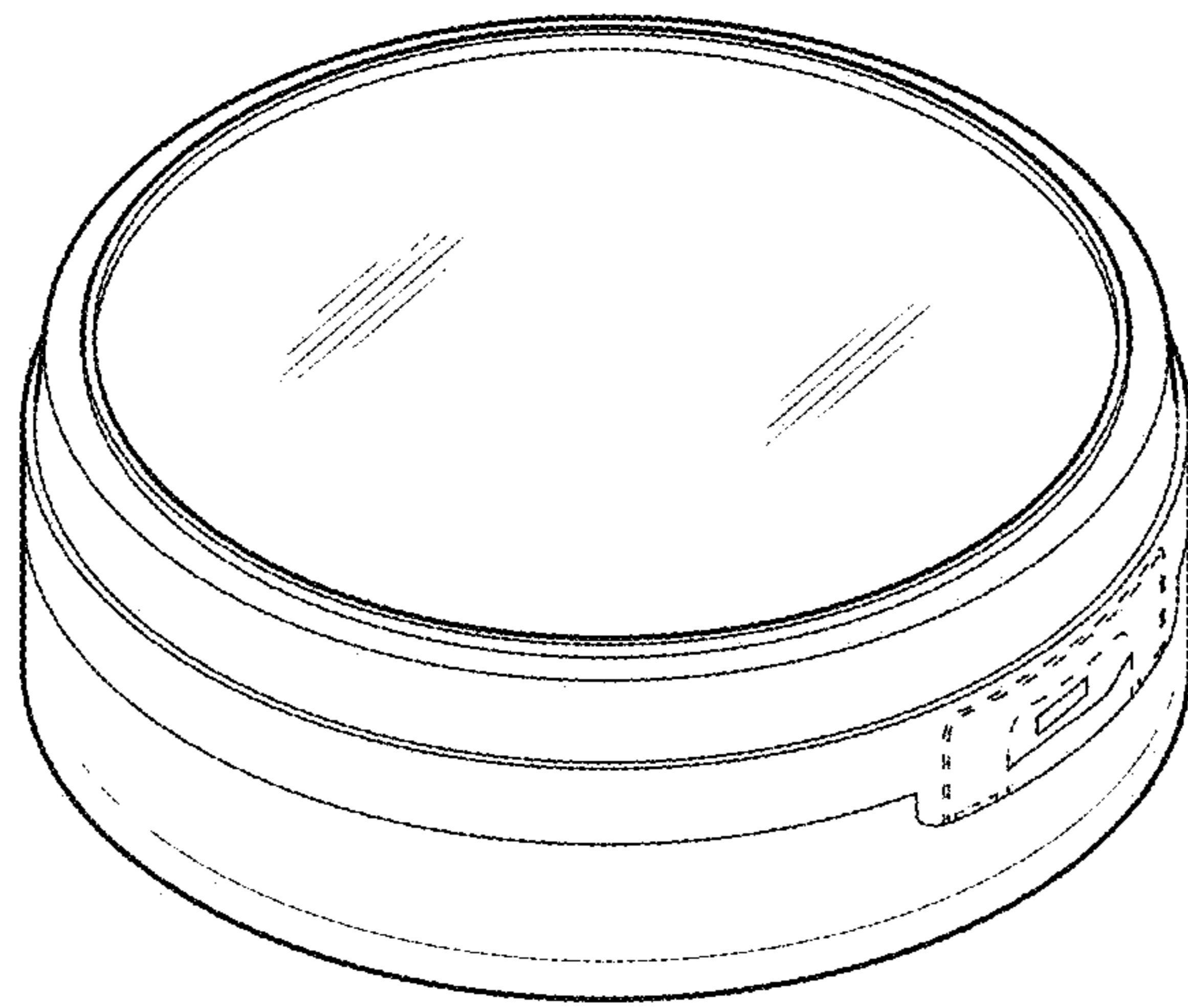


Fig. 9

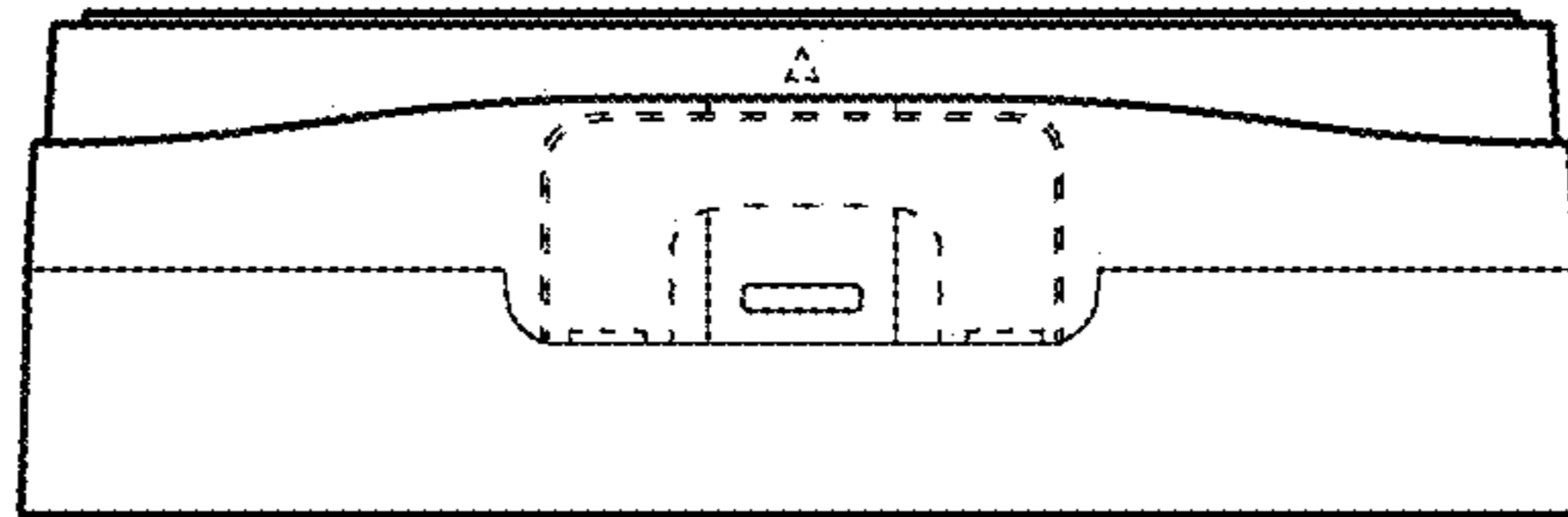


Fig. 10

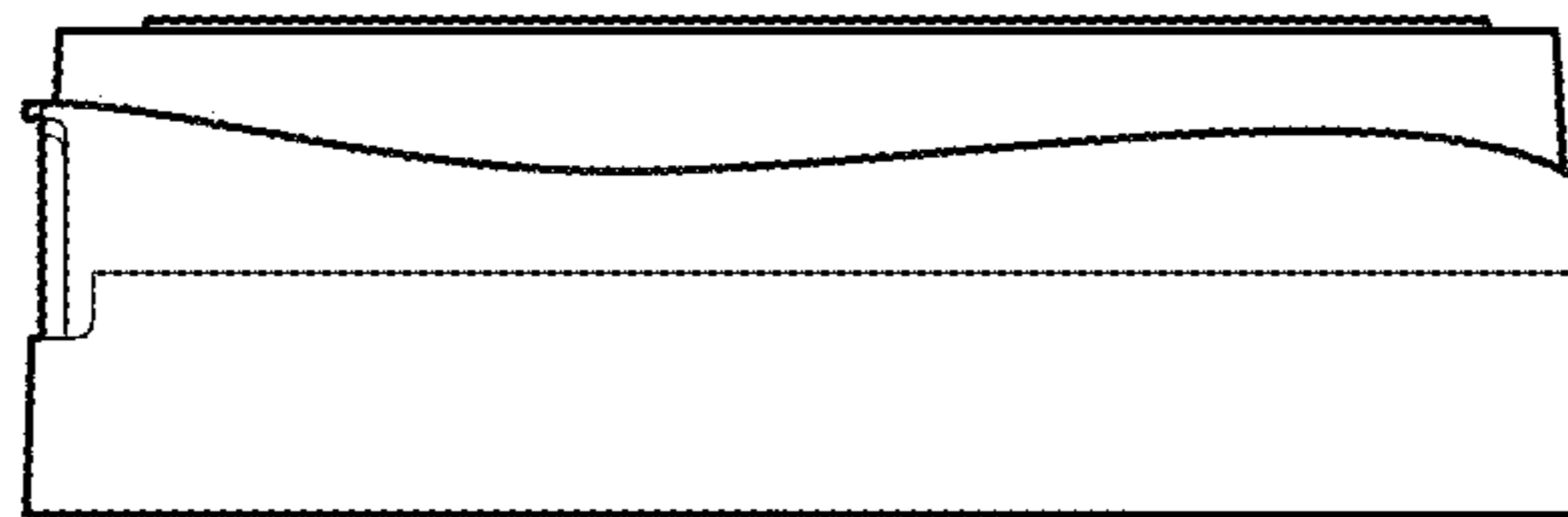


Fig. 11

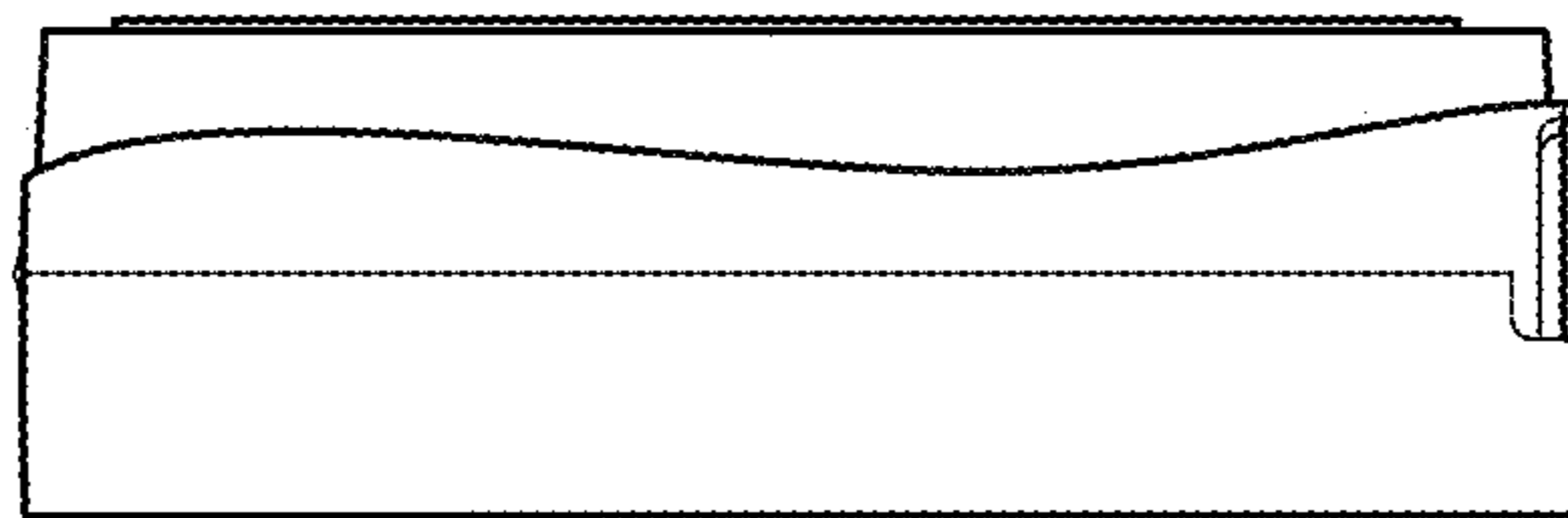


Fig. 12

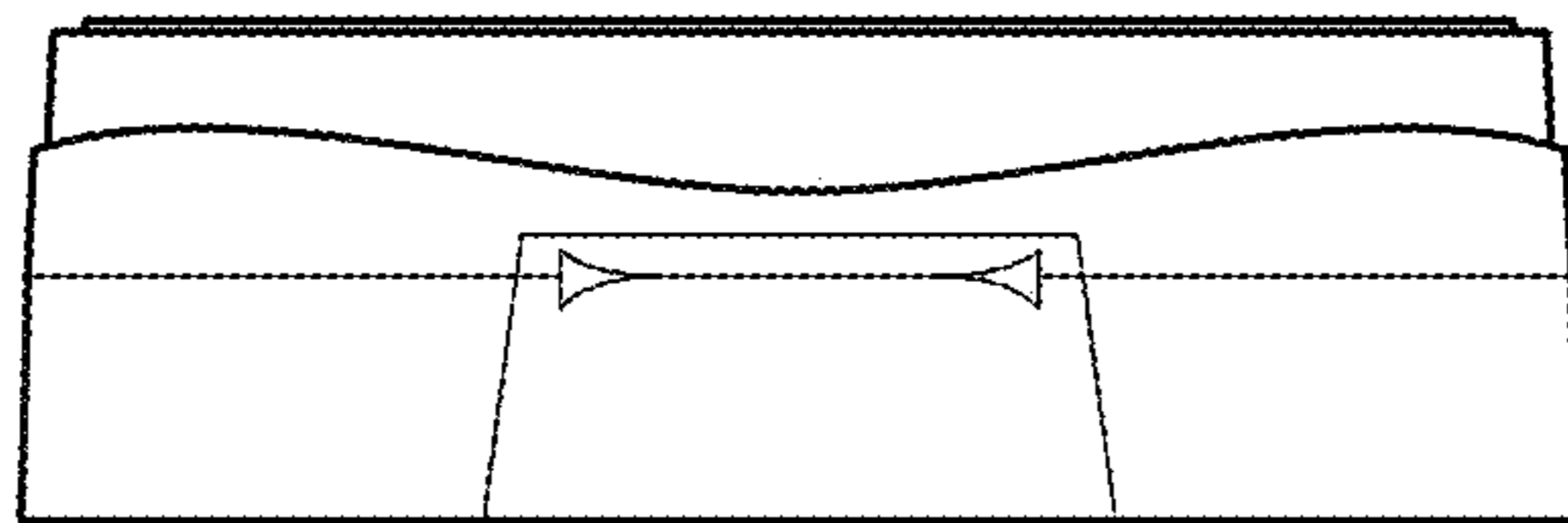


Fig. 13

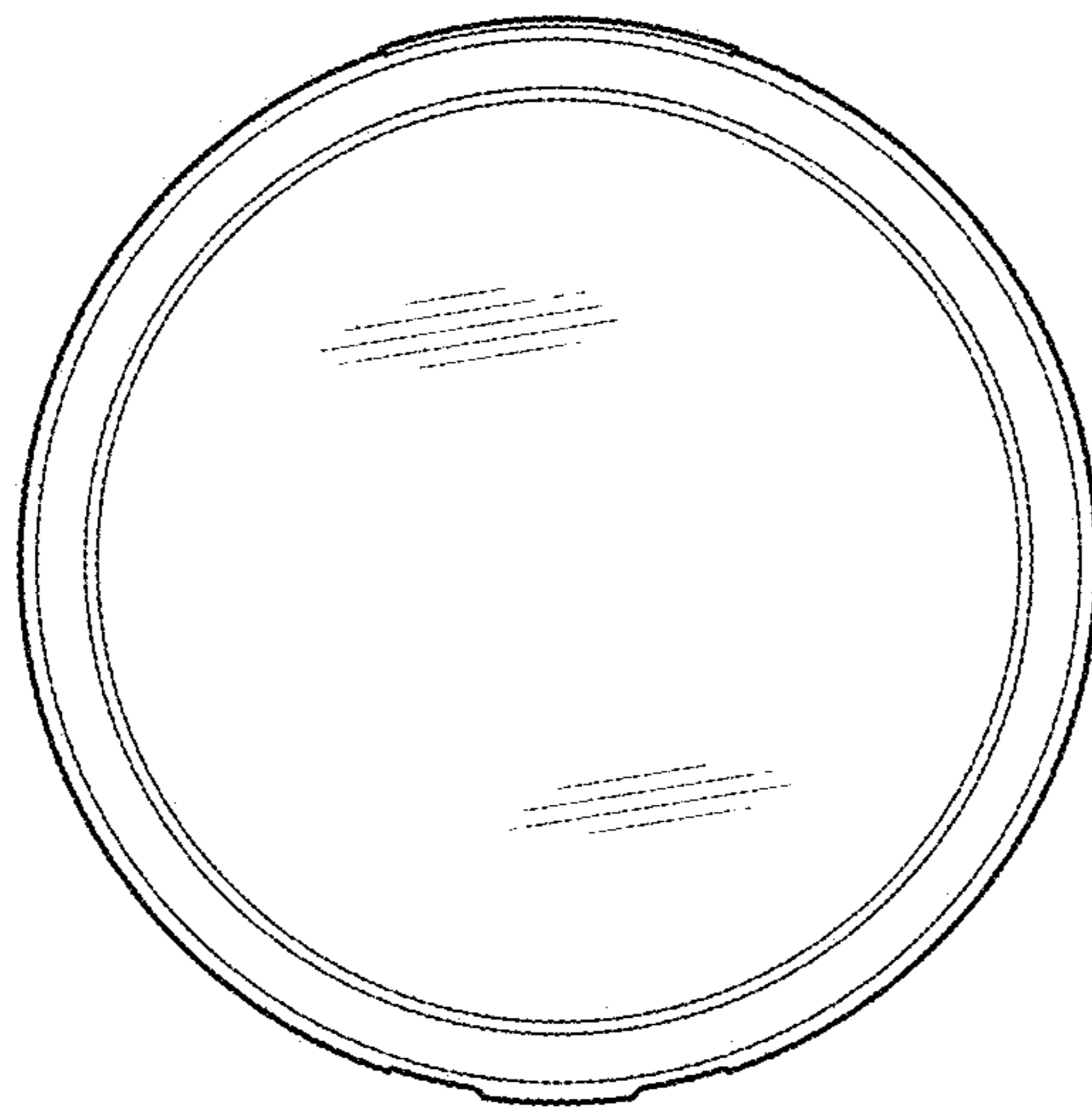


Fig. 14

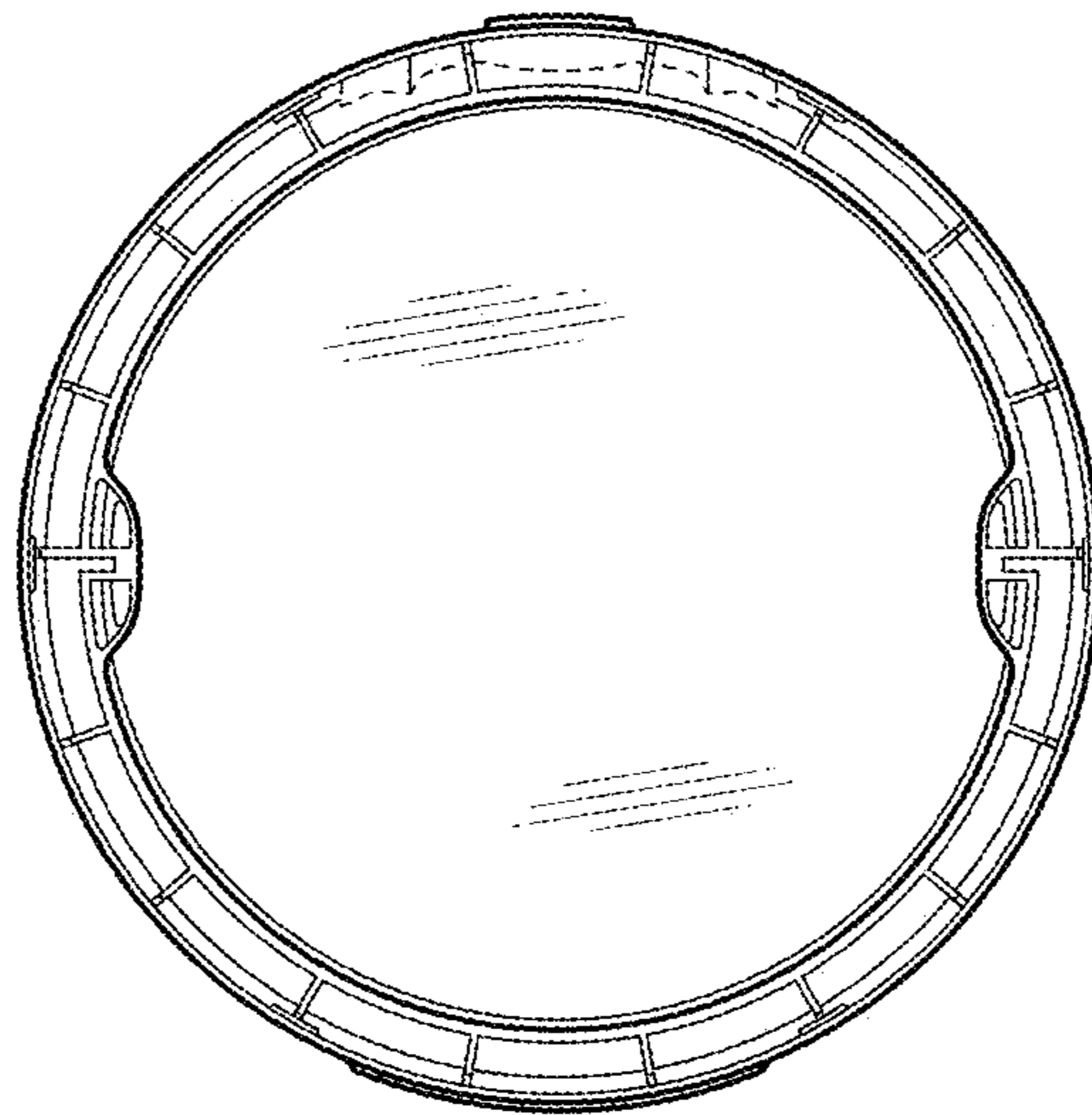


Fig. 15

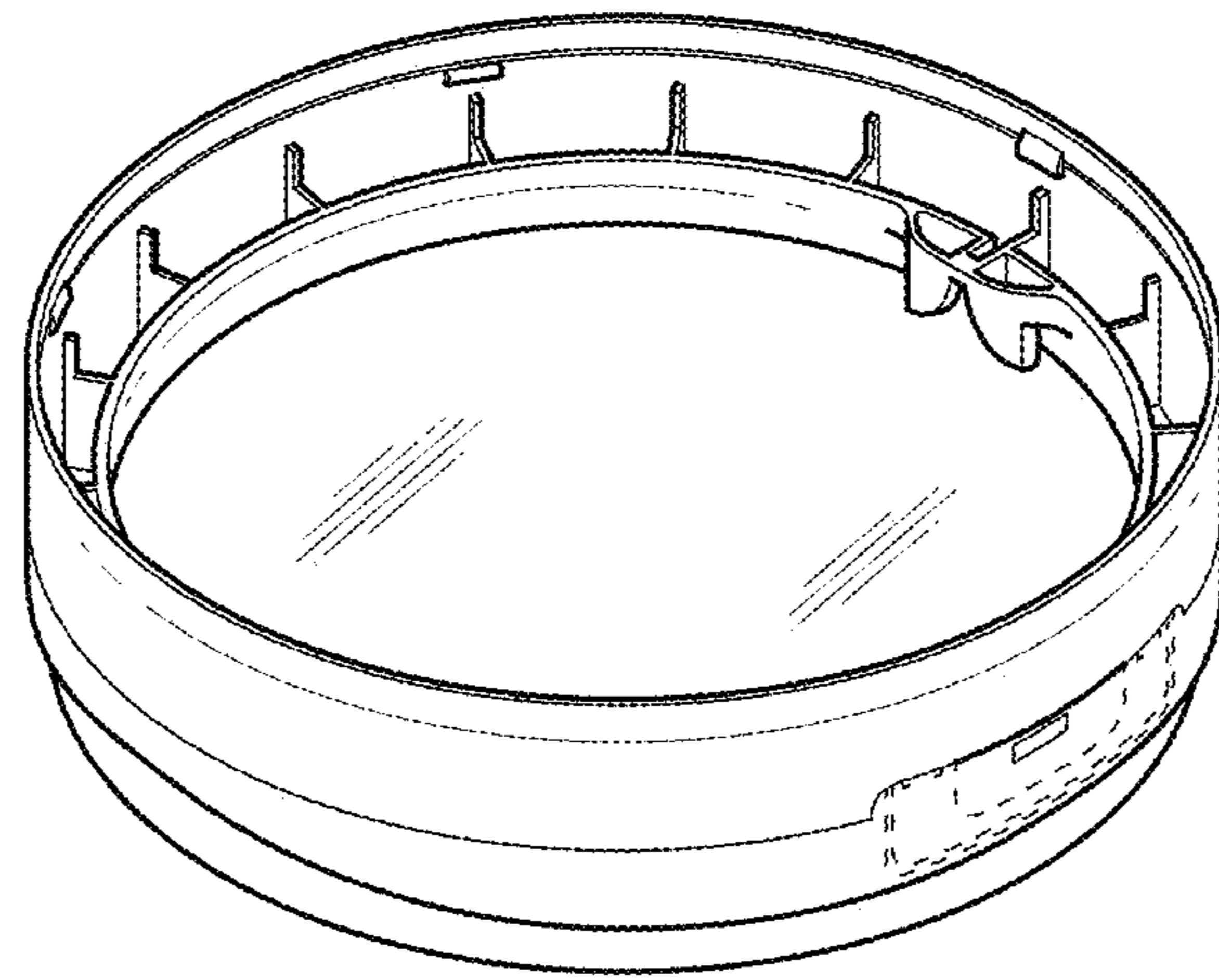


Fig. 16