



US00D927299S

(12) **United States Design Patent** (10) **Patent No.:** **US D927,299 S**  
**Caicedo et al.** (45) **Date of Patent:** **\*\* Aug. 10, 2021**

(54) **PACKAGE**

(71) Applicant: **BMIC LLC**, Dallas, TX (US)  
(72) Inventors: **Carlos Caicedo**, Dallas, TX (US); **Natalie Cruz**, Dallas, TX (US); **Carol Monza**, Dallas, TX (US); **Michael Comiskey**, Dallas, TX (US); **David Shin**, Dallas, TX (US); **Don Miller**, Dallas, TX (US); **Carolyn Eckert**, Dallas, TX (US)

(73) Assignee: **BMIC LLC**, Dallas, TX (US)

(\*\*) Term: **15 Years**

(21) Appl. No.: **29/757,747**

(22) Filed: **Nov. 9, 2020**

(51) **LOC (13) Cl.** ..... **09-03**

(52) **U.S. Cl.**  
USPC ..... **D9/432**

(58) **Field of Classification Search**  
USPC ..... D9/414–423, 430–433, 434, 456, 457,  
D9/711, 713, 721–722; D20/10, 22, 27,  
D20/40, 42  
CPC ... B65D 5/00; B65D 5/02; B65D 5/18; B65D  
5/20  
See application file for complete search history.

(56) **References Cited**

**U.S. PATENT DOCUMENTS**

D329,199 S	*	9/1992	Corso	.....	D9/418
D391,481 S	*	3/1998	Oxley	.....	D9/432
D628,063 S	*	11/2010	Kusumi	.....	D9/432
D641,621 S	*	7/2011	Kusumi	.....	D9/432
D668,141 S	*	10/2012	Collins	.....	D9/423
D678,762 S	*	3/2013	Cooper	.....	D9/418
D712,737 S	*	9/2014	Gotur	.....	D9/432
D726,025 S	*	4/2015	Somers	.....	D9/667
D745,388 S	*	12/2015	Taylor	.....	D9/418

(Continued)

*Primary Examiner* — Vy N Koenig  
(74) *Attorney, Agent, or Firm* — Greenberg Traurig, LLP

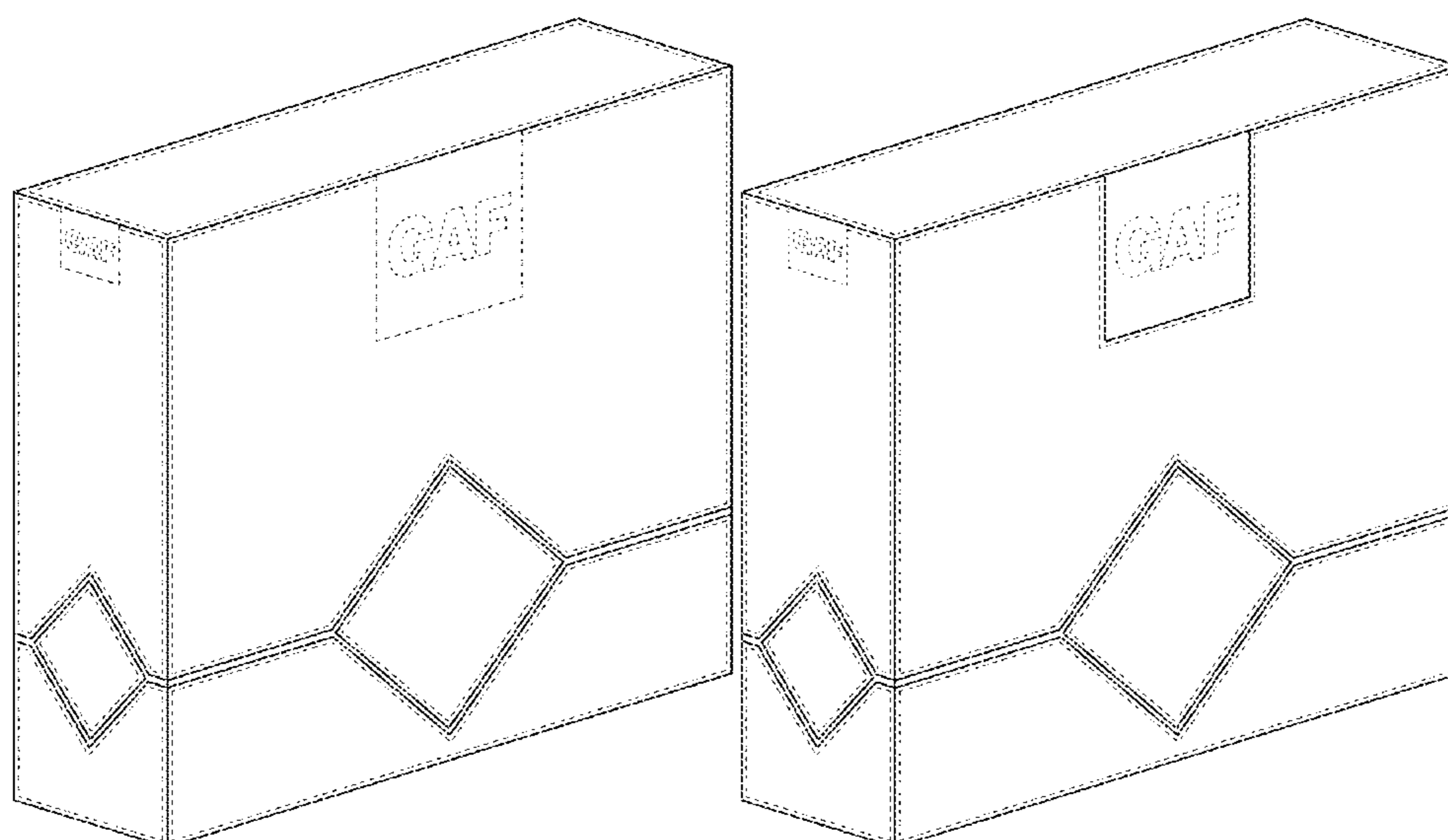
(57) **CLAIM**

The ornamental design for a package, as shown and described.

**DESCRIPTION**

FIG. 1 is a front perspective view of a first embodiment of a package according to the present invention. FIG. 2 is a front view of the first embodiment of the package shown in FIG. 1. FIG. 3 is a back view of the first embodiment of the package shown in FIG. 1. FIG. 4 is a right side view of the first embodiment of the package shown in FIG. 1. FIG. 5 is a left side view of the first embodiment of the package shown in FIG. 1. FIG. 6 is a top view of the first embodiment of the package shown in FIG. 1. FIG. 7 is a bottom view of the first embodiment of the package shown in FIG. 1. FIG. 8 is a front perspective view of a second embodiment of a package according to the present invention. FIG. 9 is a front view of the second embodiment of the package shown in FIG. 8. FIG. 10 is a back view of the second embodiment of the package shown in FIG. 8. FIG. 11 is a right side view of the second embodiment of the package shown in FIG. 8. FIG. 12 is a left side view of the second embodiment of the package shown in FIG. 8. FIG. 13 is a top view of the second embodiment of the package shown in FIG. 8; and, FIG. 14 is a bottom view of the second embodiment of the package shown in FIG. 8. The broken lines in the drawings illustrate unclaimed features forming no part of the claimed design.

**1 Claim, 6 Drawing Sheets**



(56)

**References Cited**

U.S. PATENT DOCUMENTS

D772,061 S *	11/2016	O'Dowd .....	D9/432
D774,400 S *	12/2016	Miyazaki .....	D9/600
D781,701 S *	3/2017	Brody .....	D9/432
D782,905 S *	4/2017	Borkovetz .....	D9/418
D783,397 S *	4/2017	Riffe .....	D9/434
D838,587 S *	1/2019	Laliberte .....	D9/432
D853,839 S *	7/2019	Baker .....	D9/432
D877,971 S *	3/2020	Bowen .....	D27/101
D881,003 S *	4/2020	Hendricks .....	D9/432
2014/0020700 A1 *	1/2014	Park .....	A45D 29/001 132/75
2015/0034507 A1 *	2/2015	Liu .....	A24F 15/01 206/256

\* cited by examiner

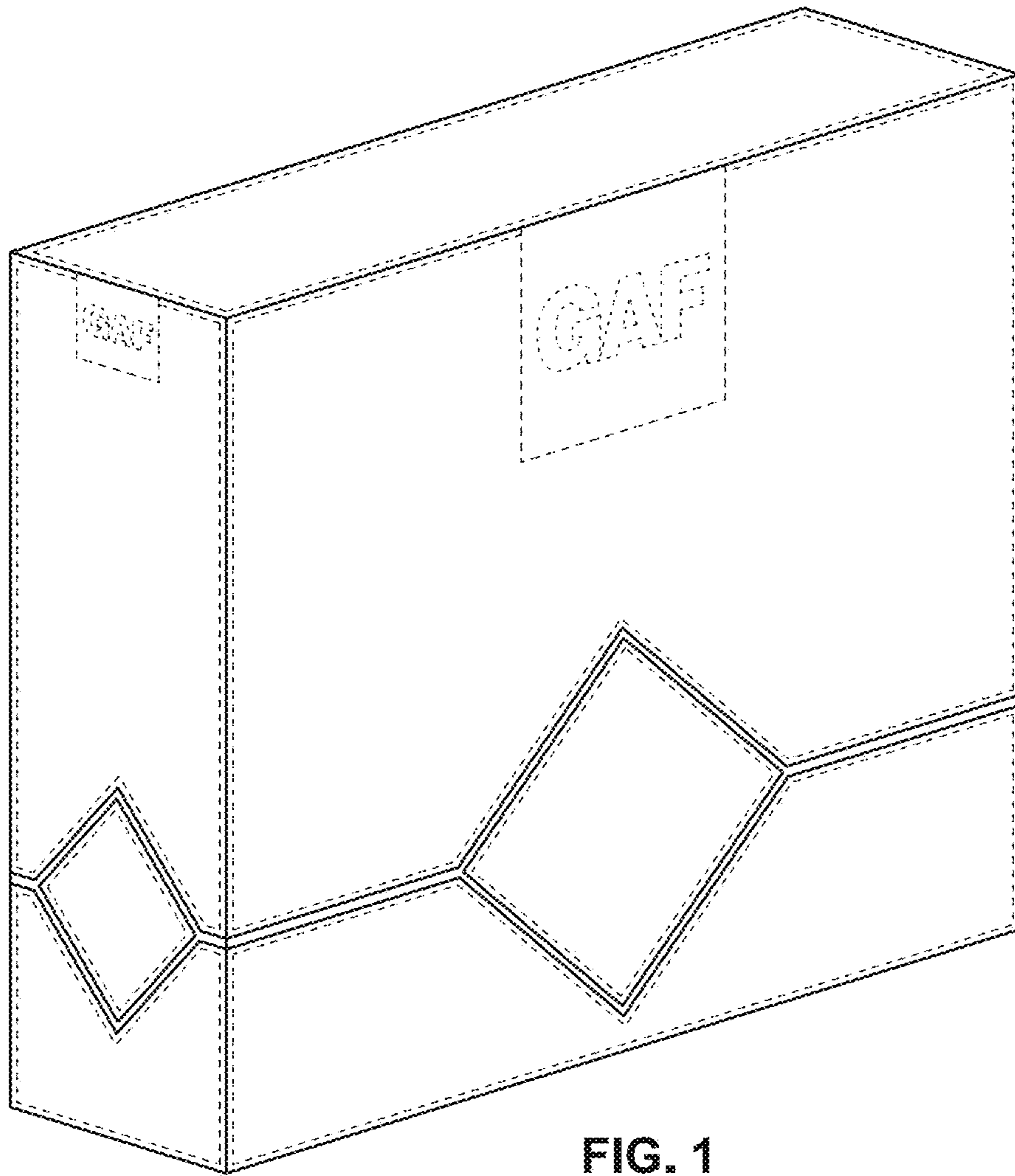


FIG. 1

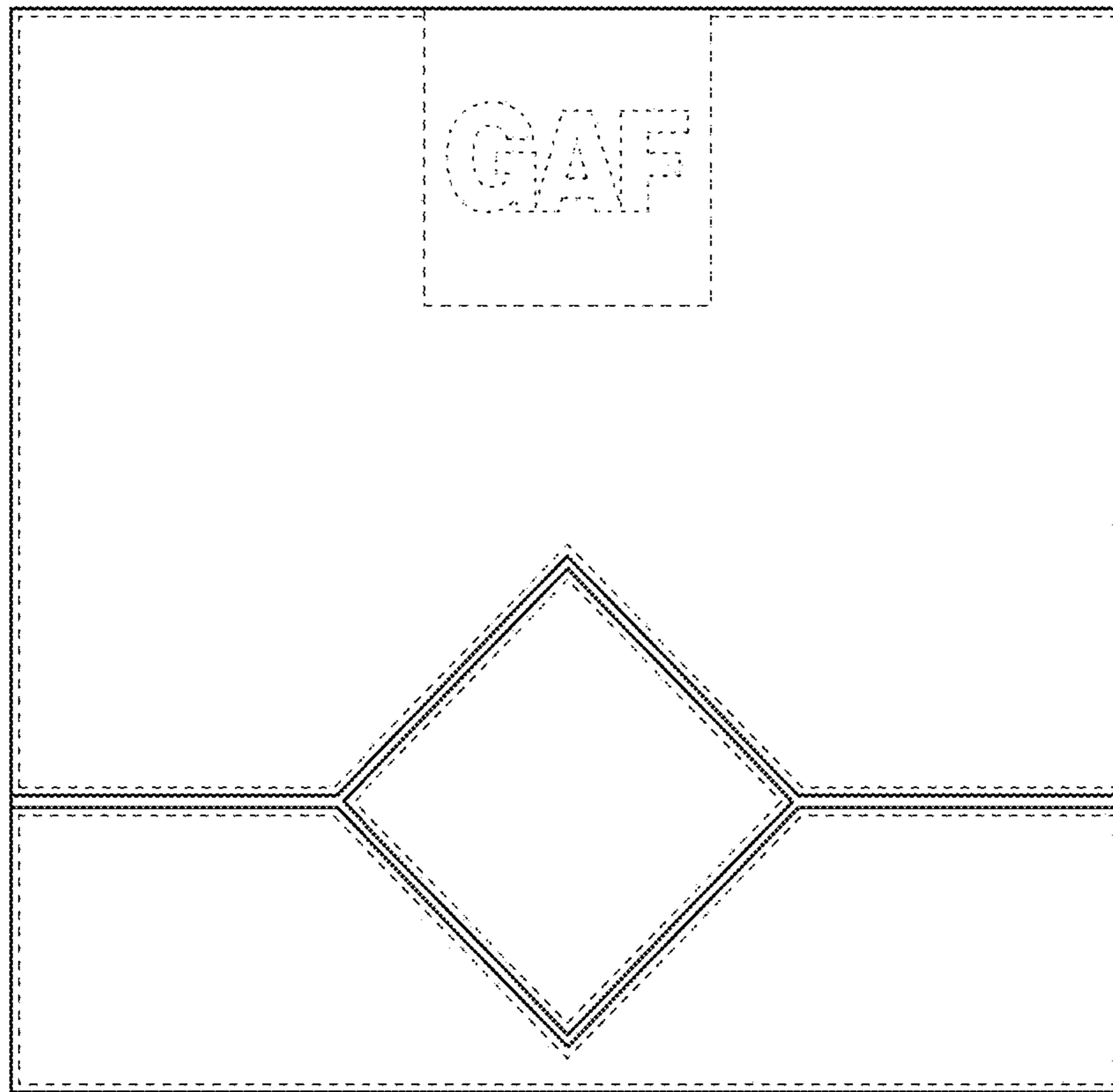


FIG. 2

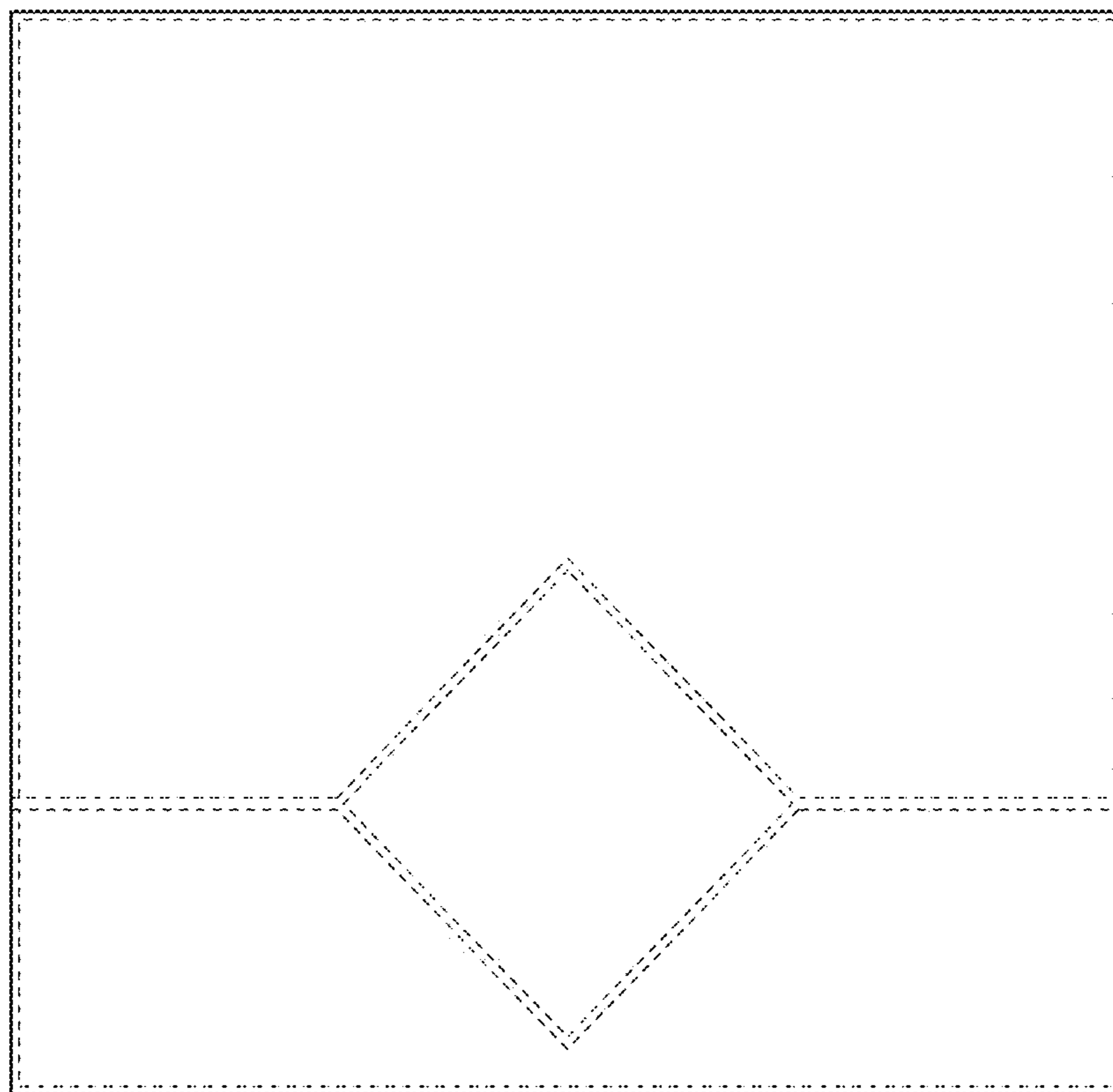


FIG. 3

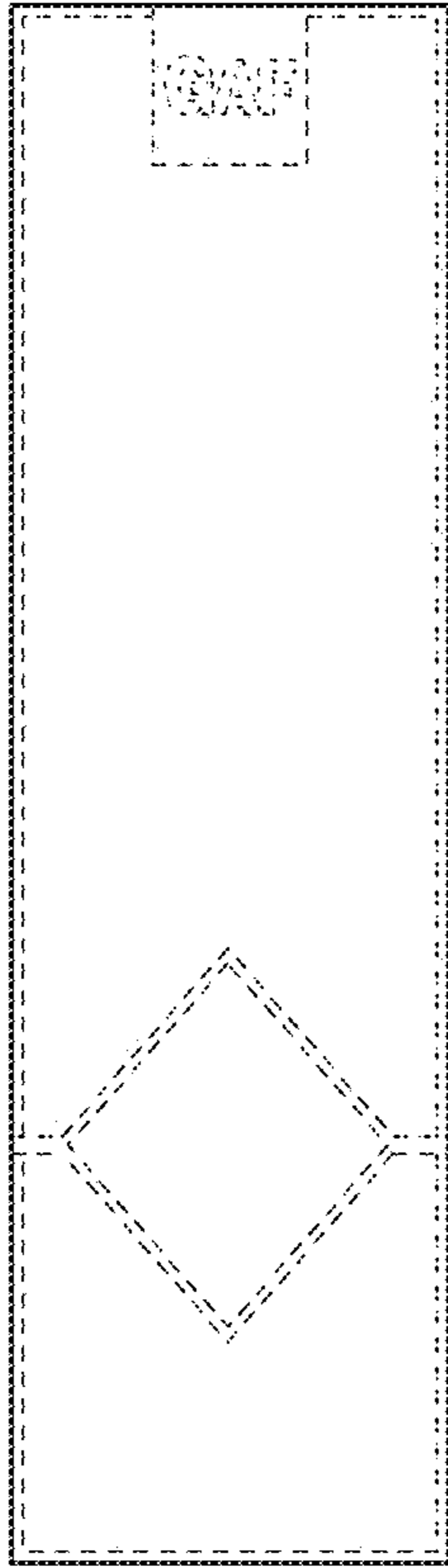


FIG. 4

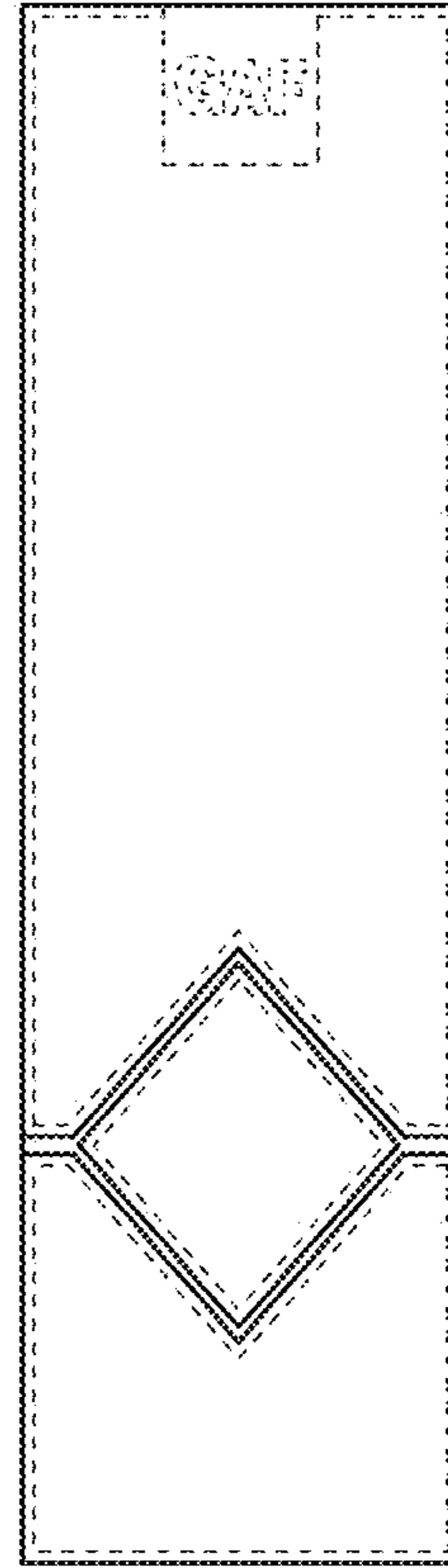


FIG. 5



FIG. 6

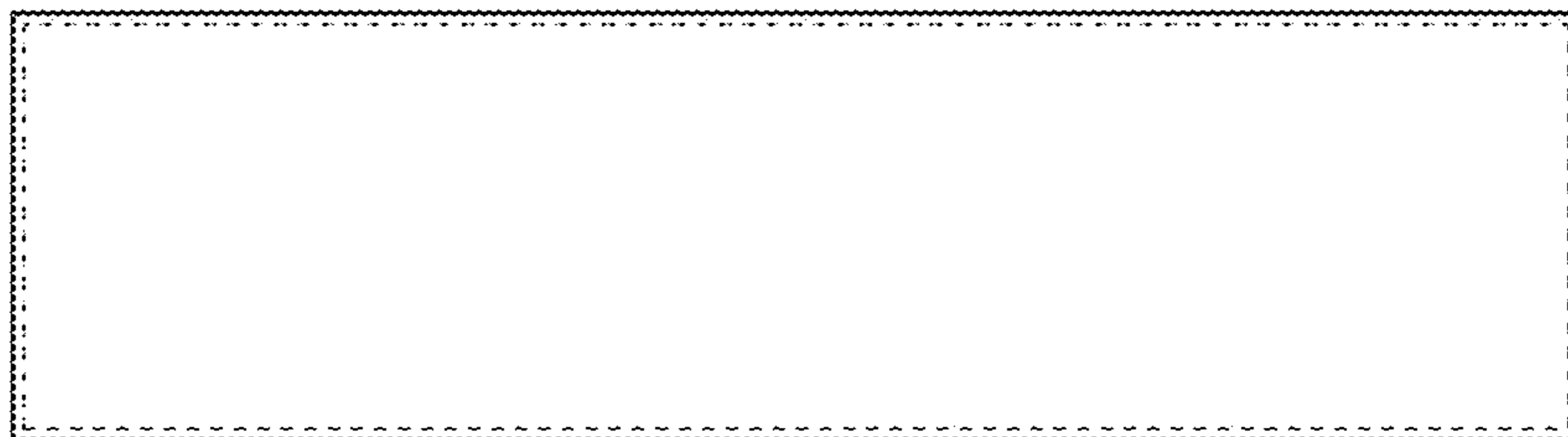


FIG. 7



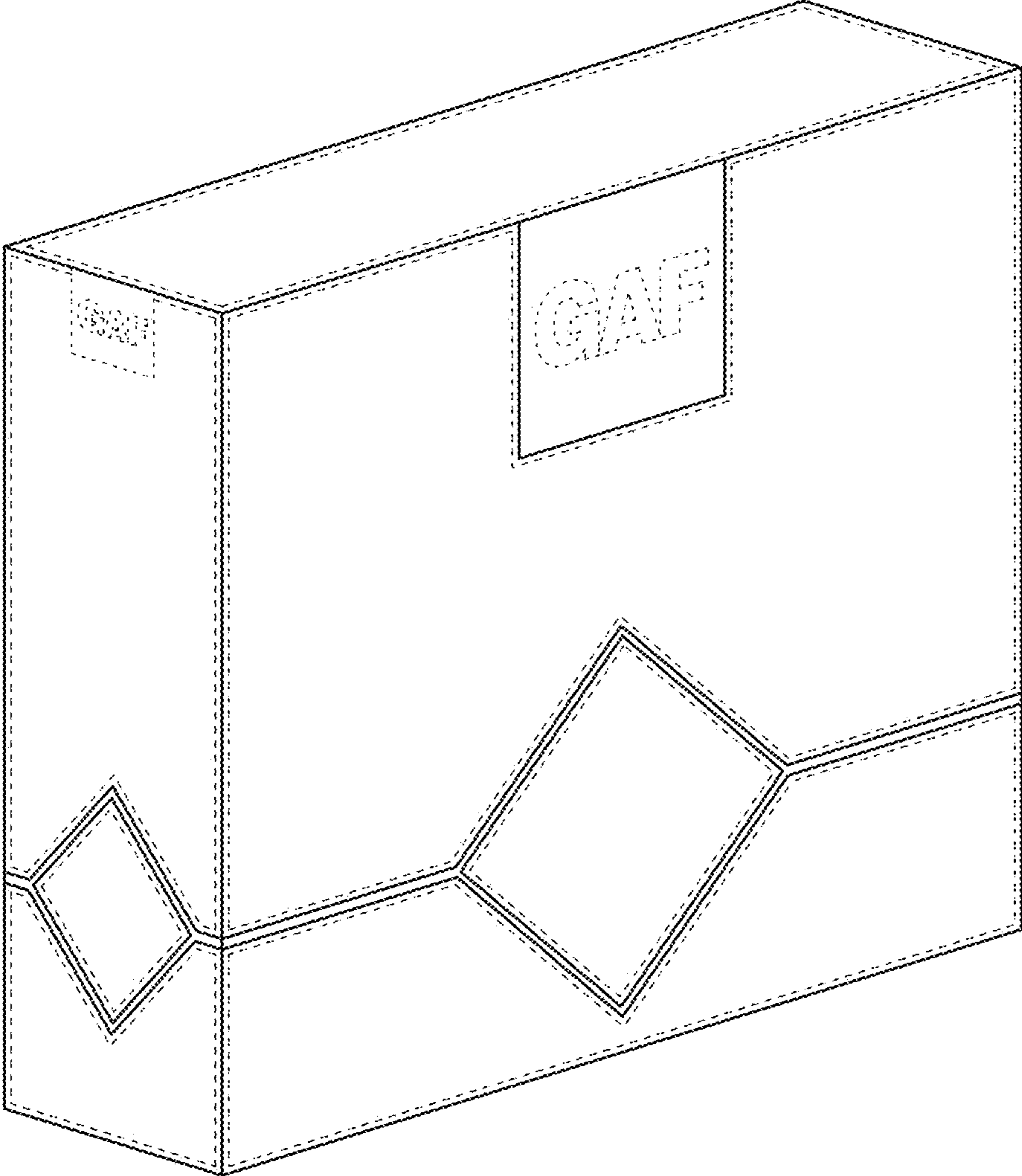


FIG. 8

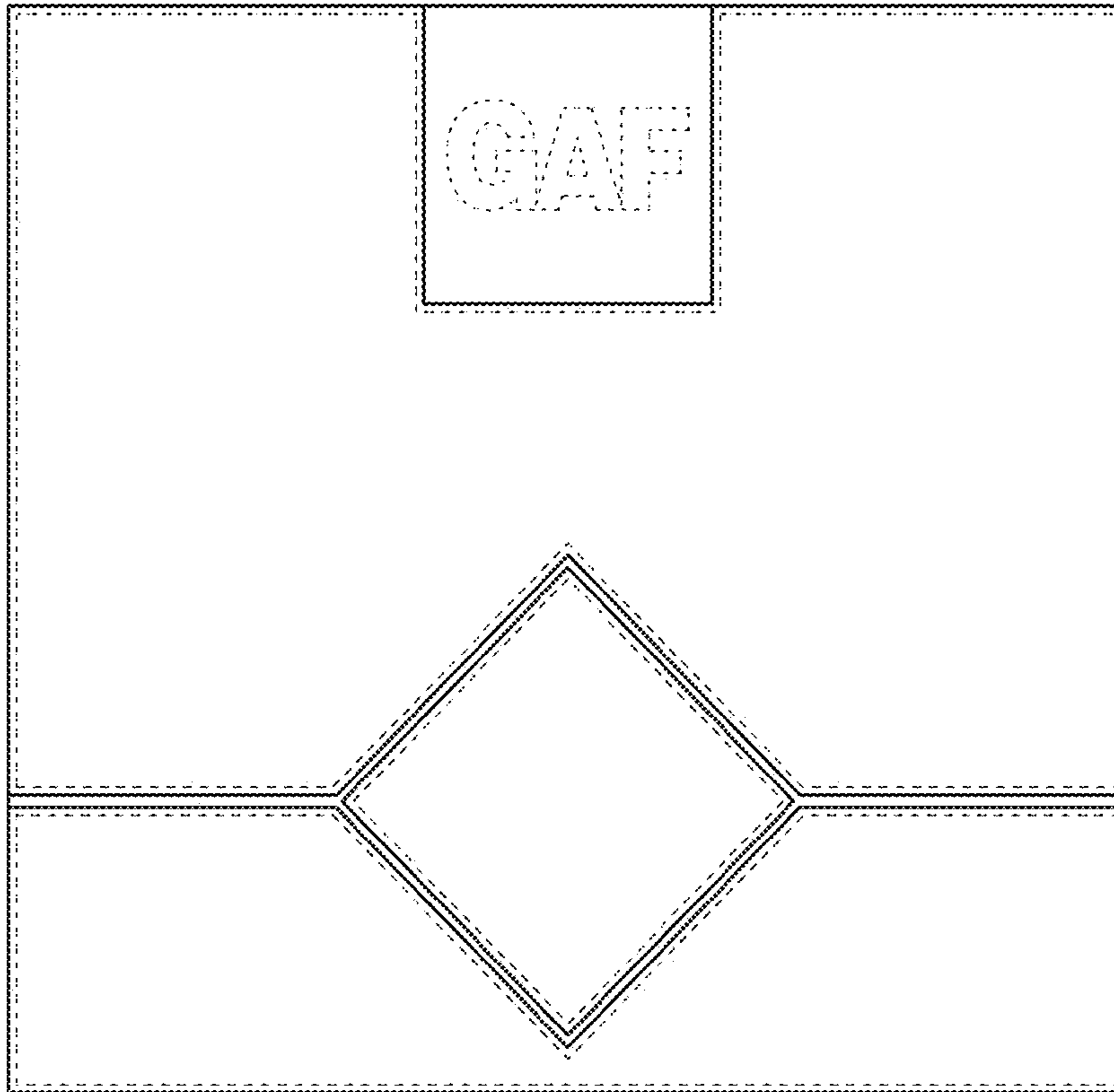


FIG. 9

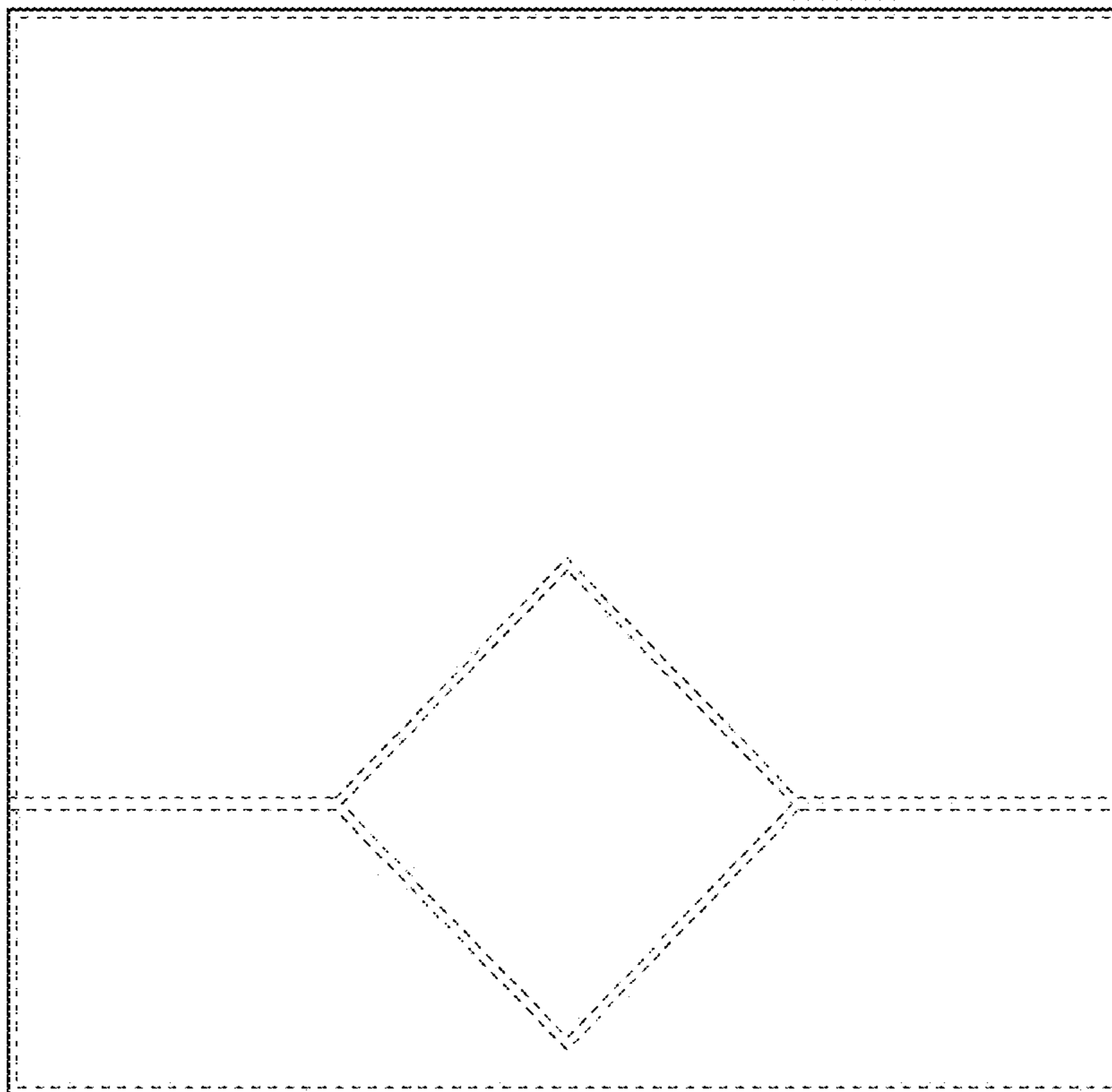


FIG. 10

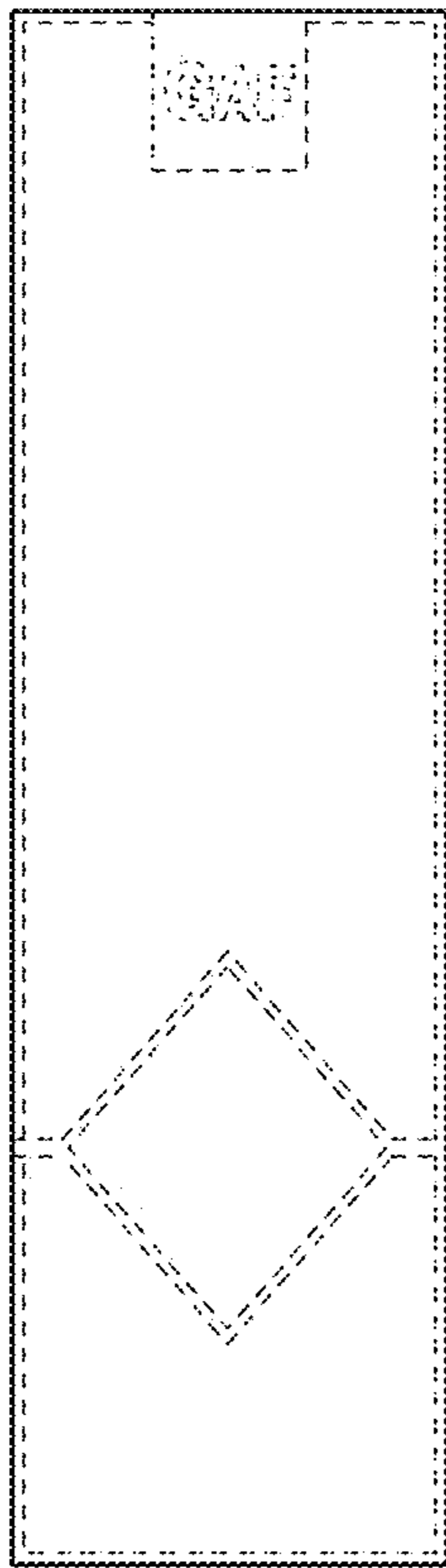


FIG. 11

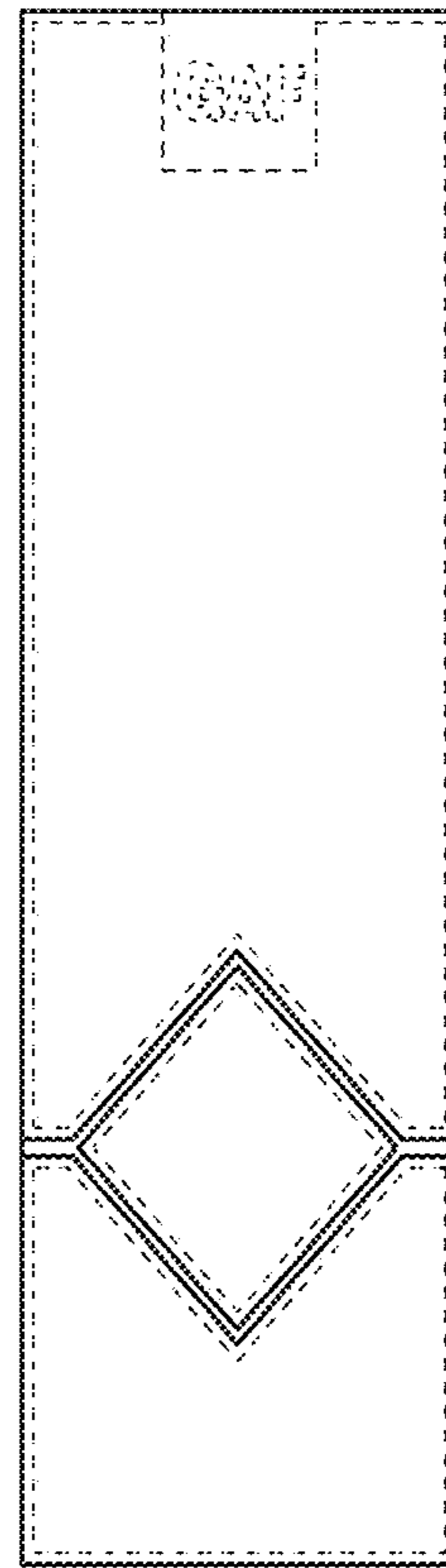


FIG. 12



FIG. 13

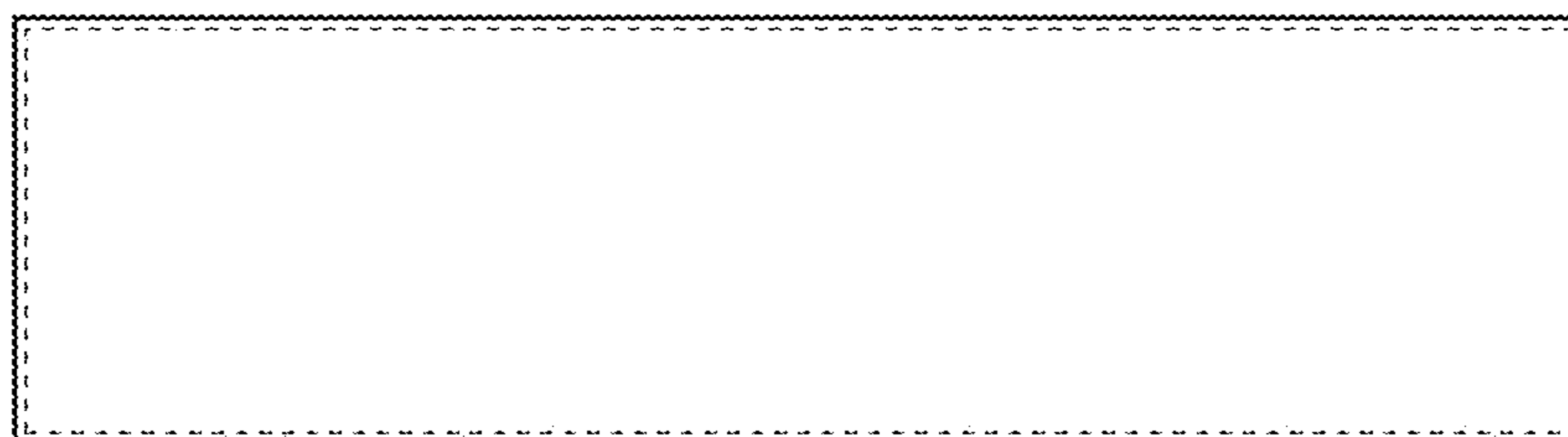


FIG. 14