



US00D927298S

(12) **United States Design Patent**  
**Kasamatsu**

(10) **Patent No.:** **US D927,298 S**  
(45) **Date of Patent:** **\*\* Aug. 10, 2021**

(54) **PACKING BOX**

(71) Applicant: **ASAHI KASEI HOME PRODUCTS CORPORATION**, Tokyo (JP)

(72) Inventor: **Chika Kasamatsu**, Tokyo (JP)

(73) Assignee: **ASAHI KASEI HOME PRODUCTS CORPORATION**, Tokyo (JP)

(\*\*) Term: **15 Years**

(21) Appl. No.: **29/684,008**

(22) Filed: **Mar. 18, 2019**

(30) **Foreign Application Priority Data**

Nov. 20, 2018 (JP) ..... 2018-025290  
Nov. 20, 2018 (JP) ..... 2018-025292

(51) **LOC (13) Cl.** ..... **09-03**

(52) **U.S. Cl.**  
USPC ..... **D9/432; D9/434**

(58) **Field of Classification Search**  
USPC ..... D9/414-423, 424-429, 430-433, 434,  
D9/456, 457, 711, 713, 721-722, 737,  
D9/756, 758, 759, 760; D3/272-274;  
D20/10, 22, 27, 40, 42  
CPC ... B65D 5/00; B65D 5/02; B65D 5/18; B65D  
5/20  
See application file for complete search history.

(56) **References Cited**

**U.S. PATENT DOCUMENTS**

2,418,963 A \* 4/1947 Anderson, Jr. .... B65D 5/0281  
229/117.17  
2,947,462 A \* 8/1960 Bostock ..... B65D 5/448  
229/117.17

(Continued)

Primary Examiner — Vy N Koenig

(74) *Attorney, Agent, or Firm* — Greenblum & Bernstein, P.L.C.

(57) **CLAIM**

The ornamental design for a packing box, as shown and described.

**DESCRIPTION**

The file of this patent contains at least one drawing/photograph executed in color. Copies of this patent with color drawing(s)/photograph(s) will be provided by the Office upon request and payment of the necessary fee.

FIG. 1 is a perspective view of top, front, and right sides (or top, rear, and left sides) of an embodiment of the packing box, showing my new design;

FIG. 2 is a front elevational view thereof;

FIG. 3 is a rear elevational view thereof;

FIG. 4 is a top plan view thereof;

FIG. 5 is a bottom view thereof;

FIG. 6 is a left side elevational view thereof;

FIG. 7 is a right side elevational view thereof;

FIG. 8 is a perspective view of top, front, and right sides (or top, rear, and left sides) of another embodiment of the packing box, showing my new design;

FIG. 9 is a front elevational view of the embodiment of FIG. 8;

FIG. 10 is a rear elevational view of the embodiment of FIG. 8;

FIG. 11 is a top plan view of the embodiment of FIG. 8;

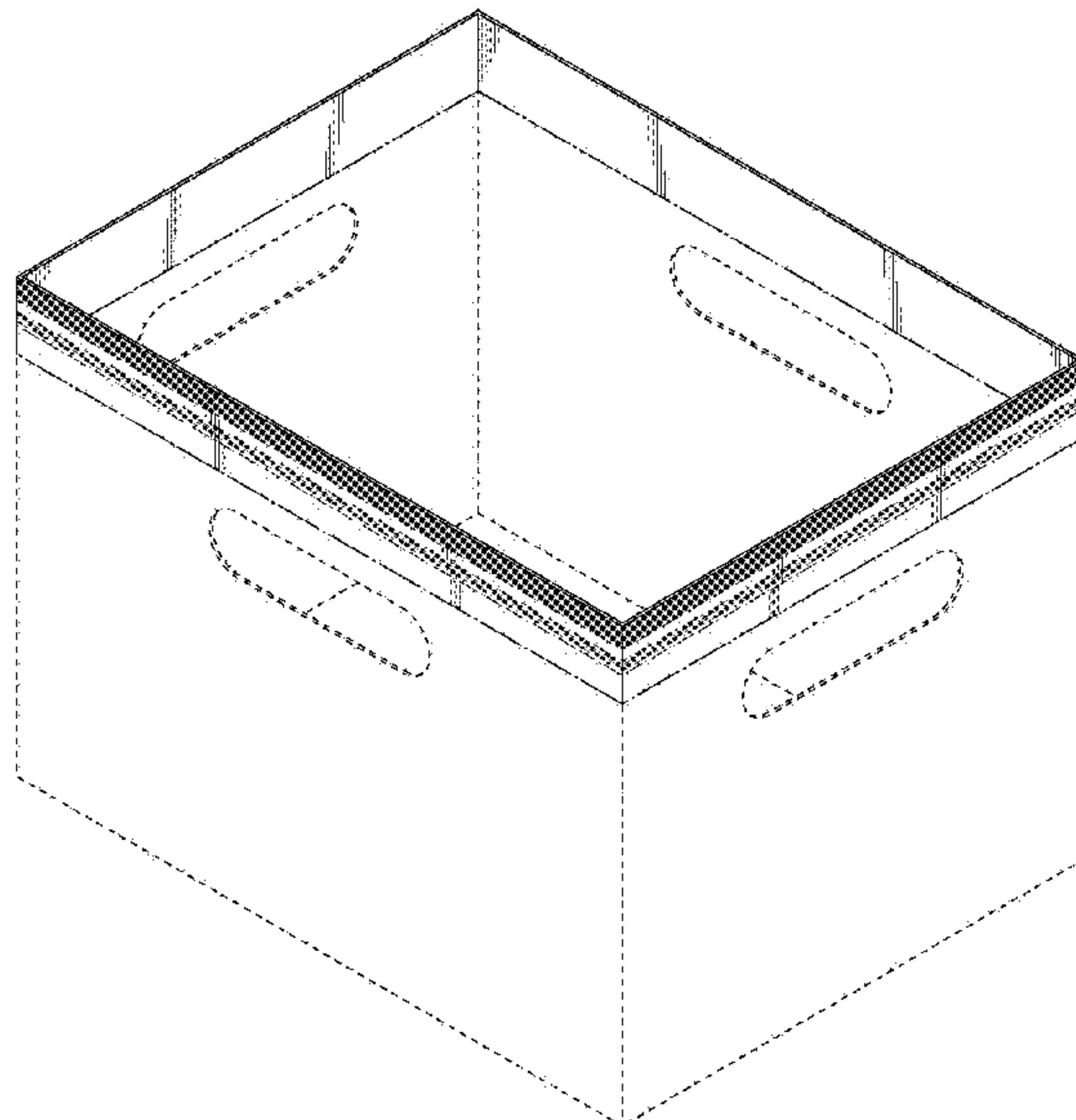
FIG. 12 is a bottom view of the embodiment of FIG. 8;

FIG. 13 is a left side elevational view of the embodiment of FIG. 8; and,

FIG. 14 is a right side elevational view of the embodiment of FIG. 8.

The application file contains FIGS. 1-14 executed in color. The broken lines in the drawings illustrate portions of the packing box that form no part of the claimed design.

**1 Claim, 14 Drawing Sheets**  
**(10 of 14 Drawing Sheet(s) Filed in Color)**



(56)

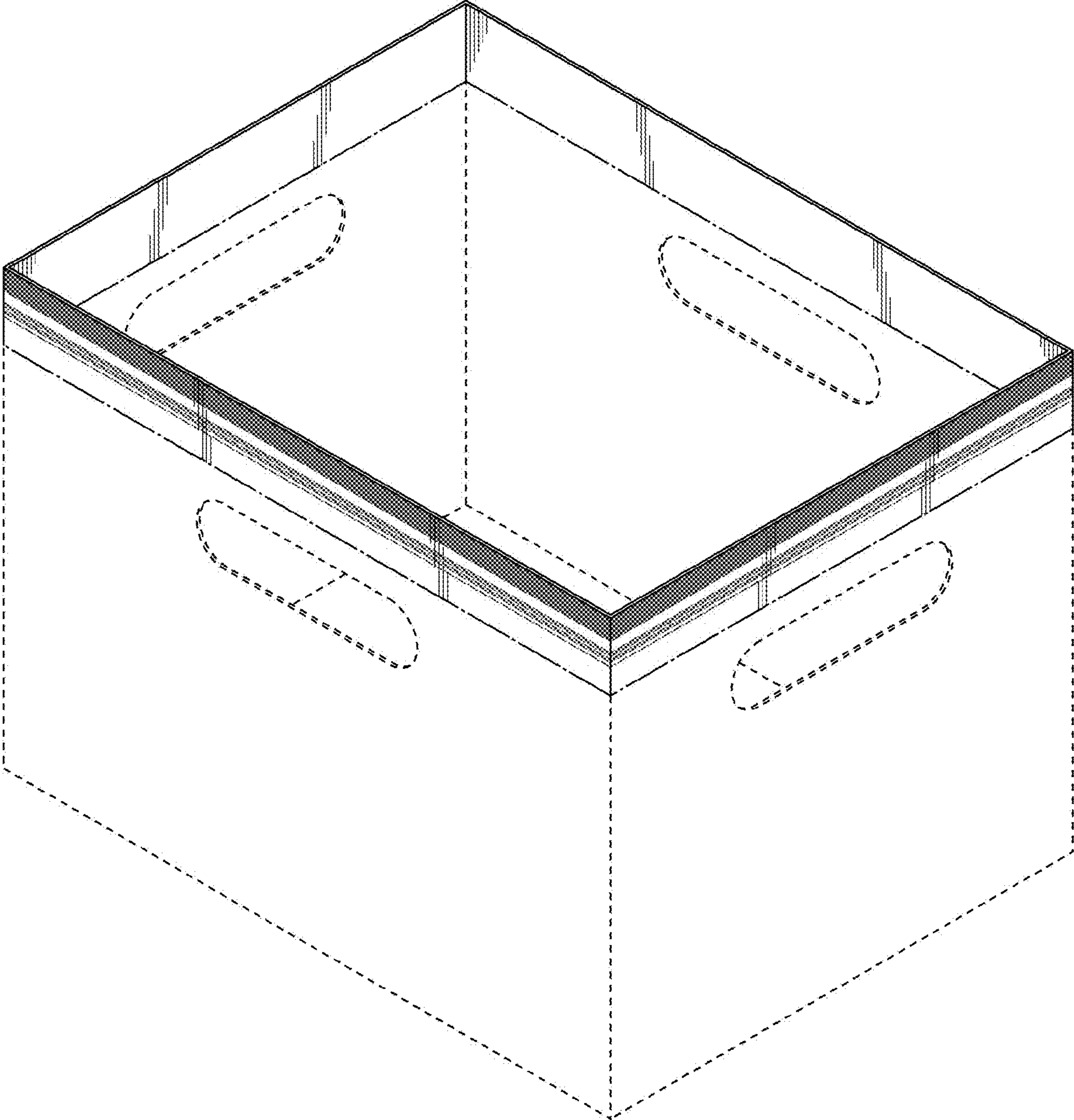
**References Cited**

U.S. PATENT DOCUMENTS

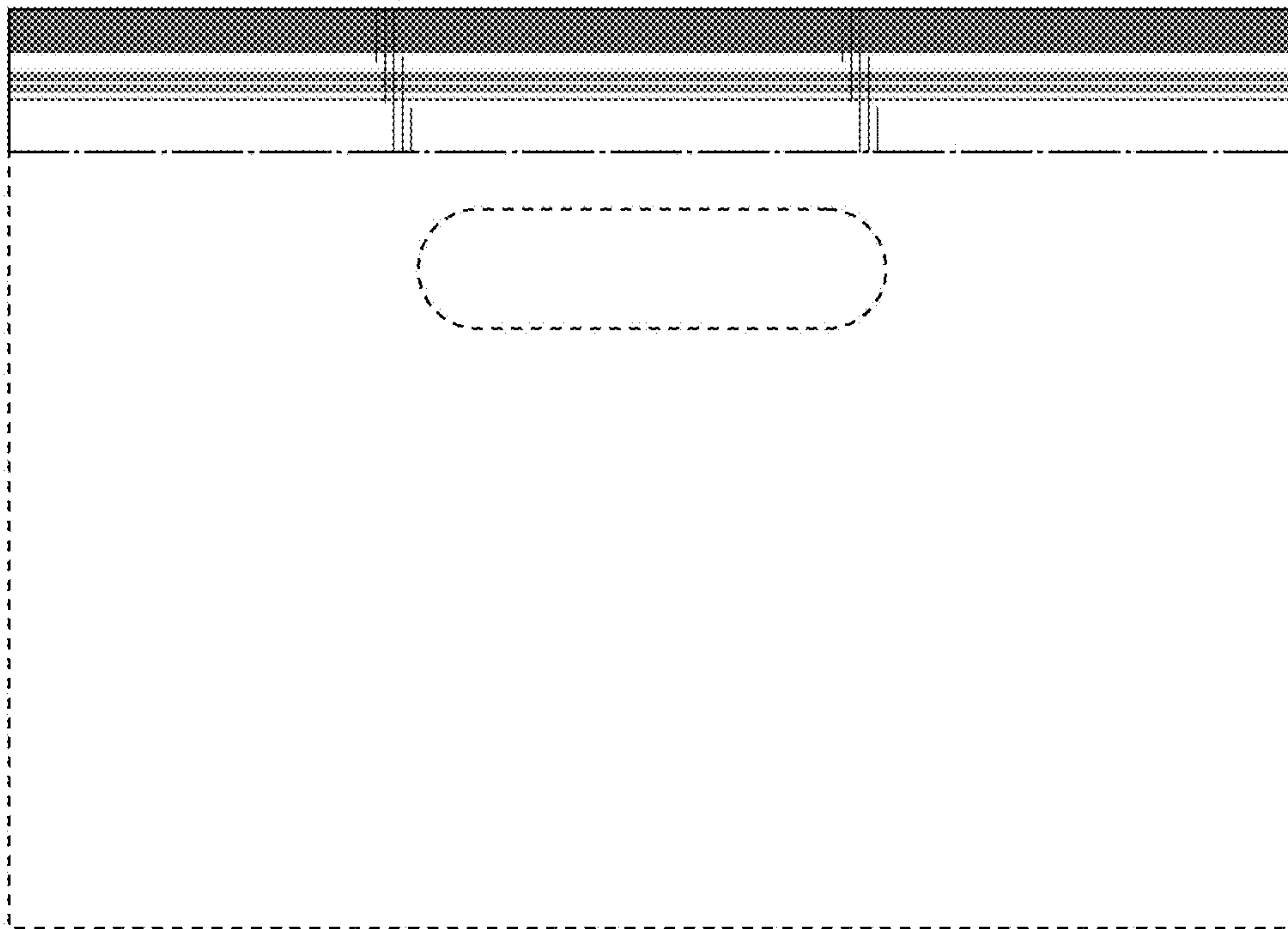
3,002,650	A *	10/1961	Lovell .....	B65D 21/0216 206/509
3,342,401	A *	9/1967	Kitchell .....	B65D 5/685 229/125.28
4,717,070	A *	1/1988	Taub .....	B65D 5/685 229/117.16
4,948,033	A *	8/1990	Halsell, II .....	B65D 5/0075 220/495.09
D315,098	S *	3/1991	Hutcheson .....	D3/302
5,011,071	A *	4/1991	Lopez .....	B65D 5/0281 229/117
5,494,161	A *	2/1996	Herbst .....	B42F 15/0094 206/425
D368,031	S *	3/1996	Chahed .....	D9/432
D372,673	S *	8/1996	Turner .....	D3/302
D425,562	S *	5/2000	Conley .....	D19/75
D673,368	S *	1/2013	Scott .....	D3/304
D740,564	S *	10/2015	Scott .....	D3/304
D772,060	S *	11/2016	O'Dowd .....	D9/432
D790,357	S *	6/2017	Kruse .....	D9/679
D805,894	S *	12/2017	Lee .....	D9/431
D846,994	S *	4/2019	Grip .....	D9/679
D854,830	S *	7/2019	Criste .....	D3/302
D877,614	S *	3/2020	Sollie .....	D9/432
D907,484	S *	1/2021	Hilsabeck .....	D9/432

\* cited by examiner

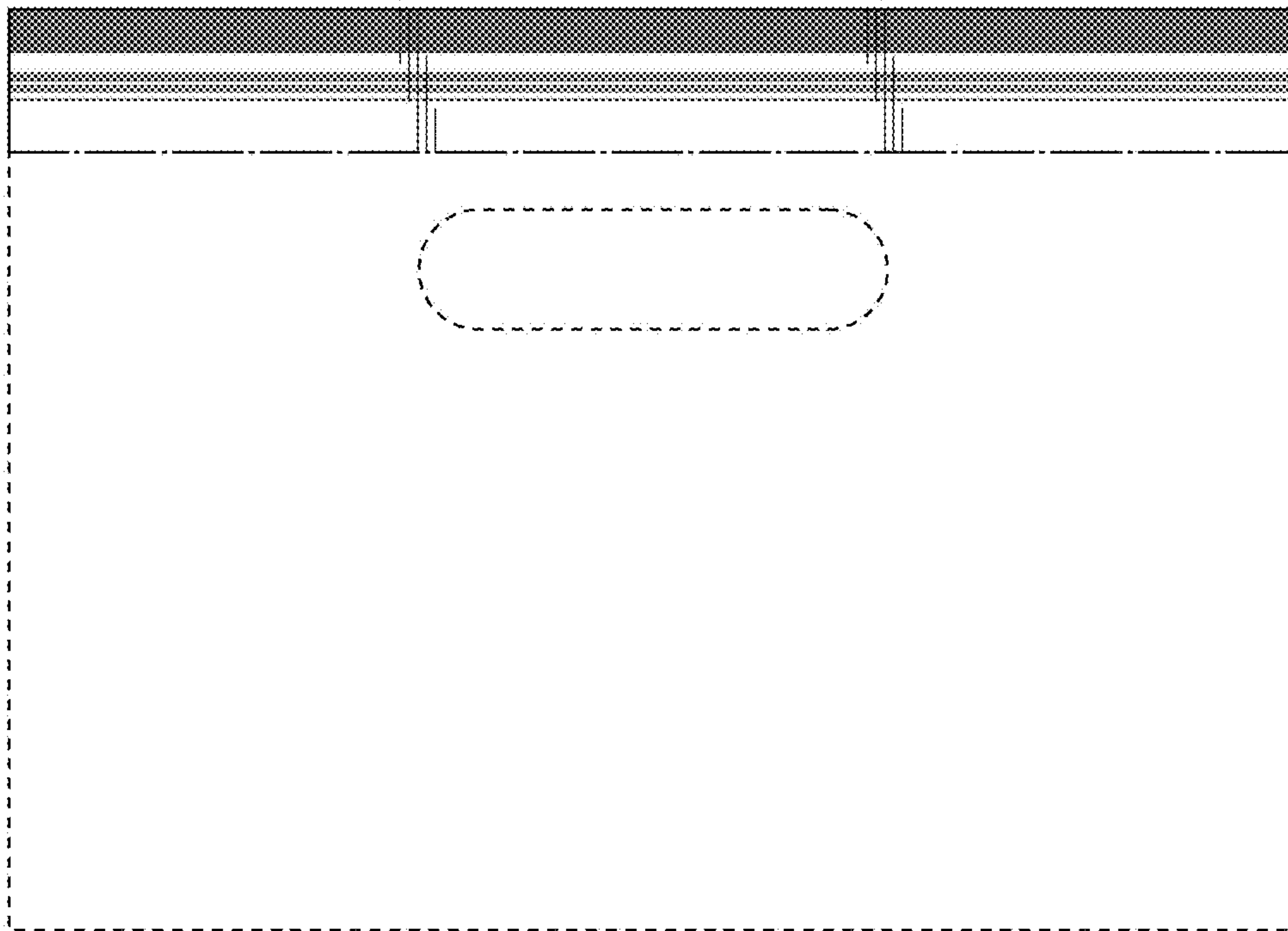
FIG. 1



**FIG. 2**



**FIG. 3**





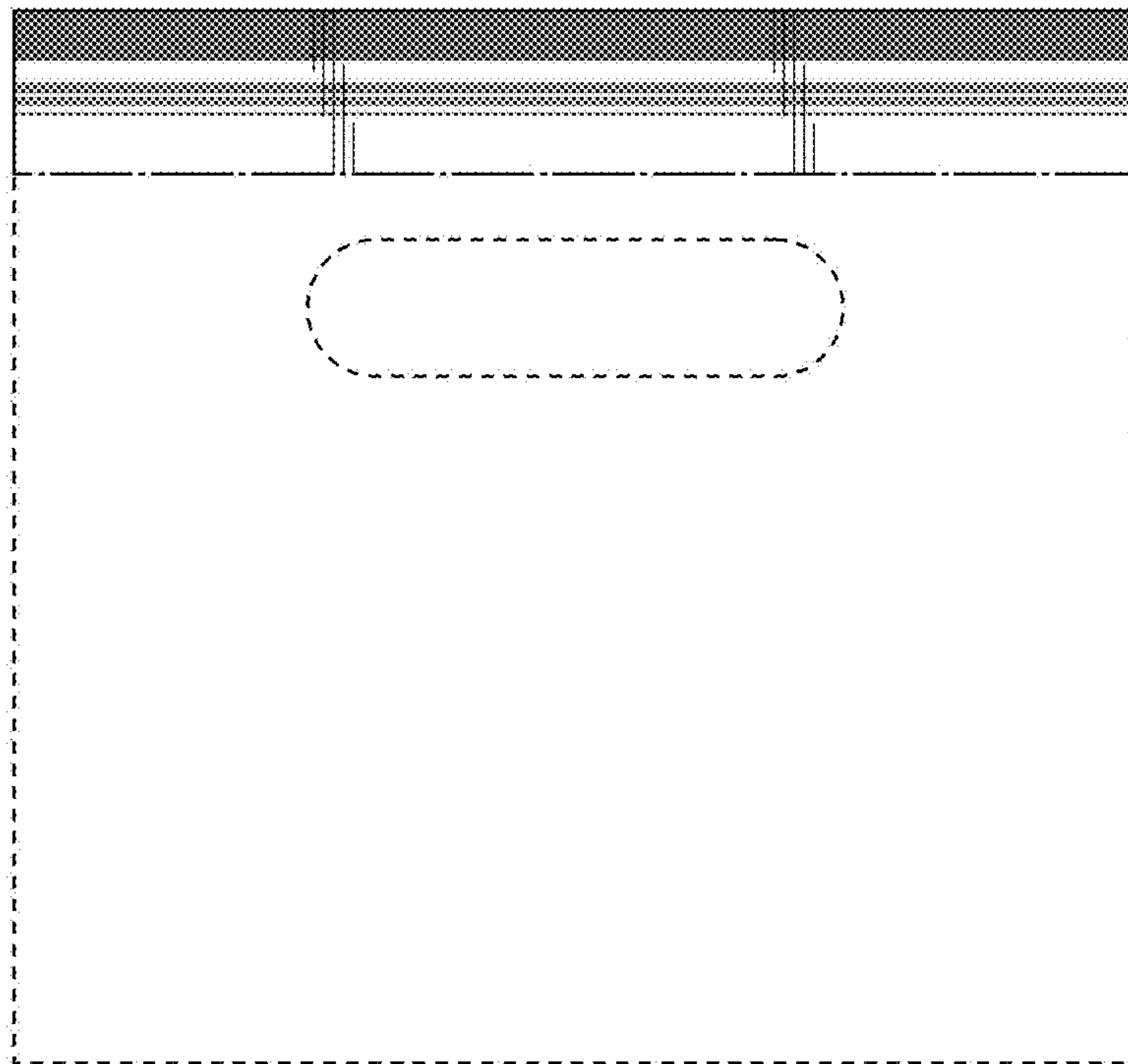
**FIG. 4**



**FIG. 5**



**FIG. 6**





**FIG. 7**

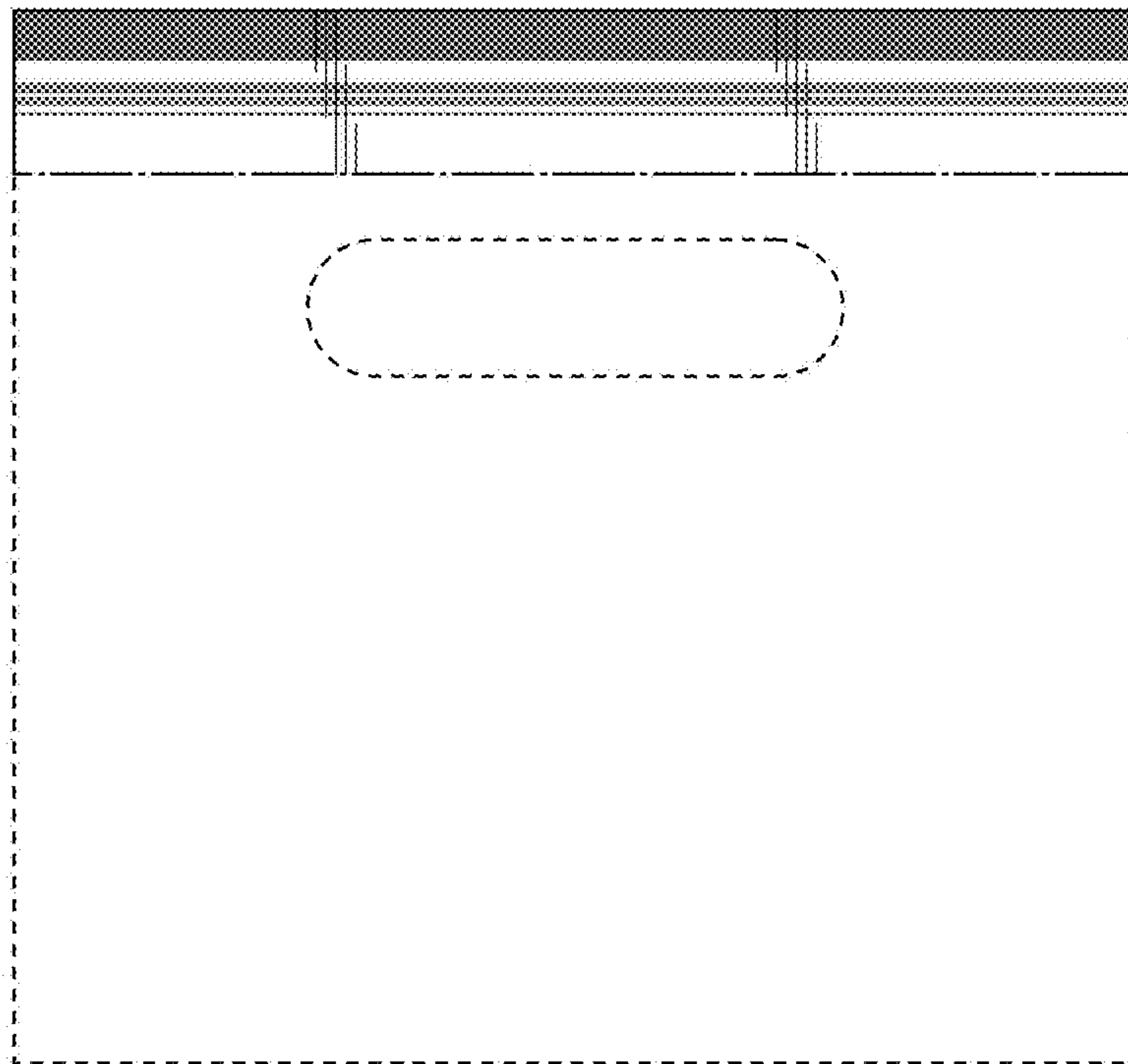
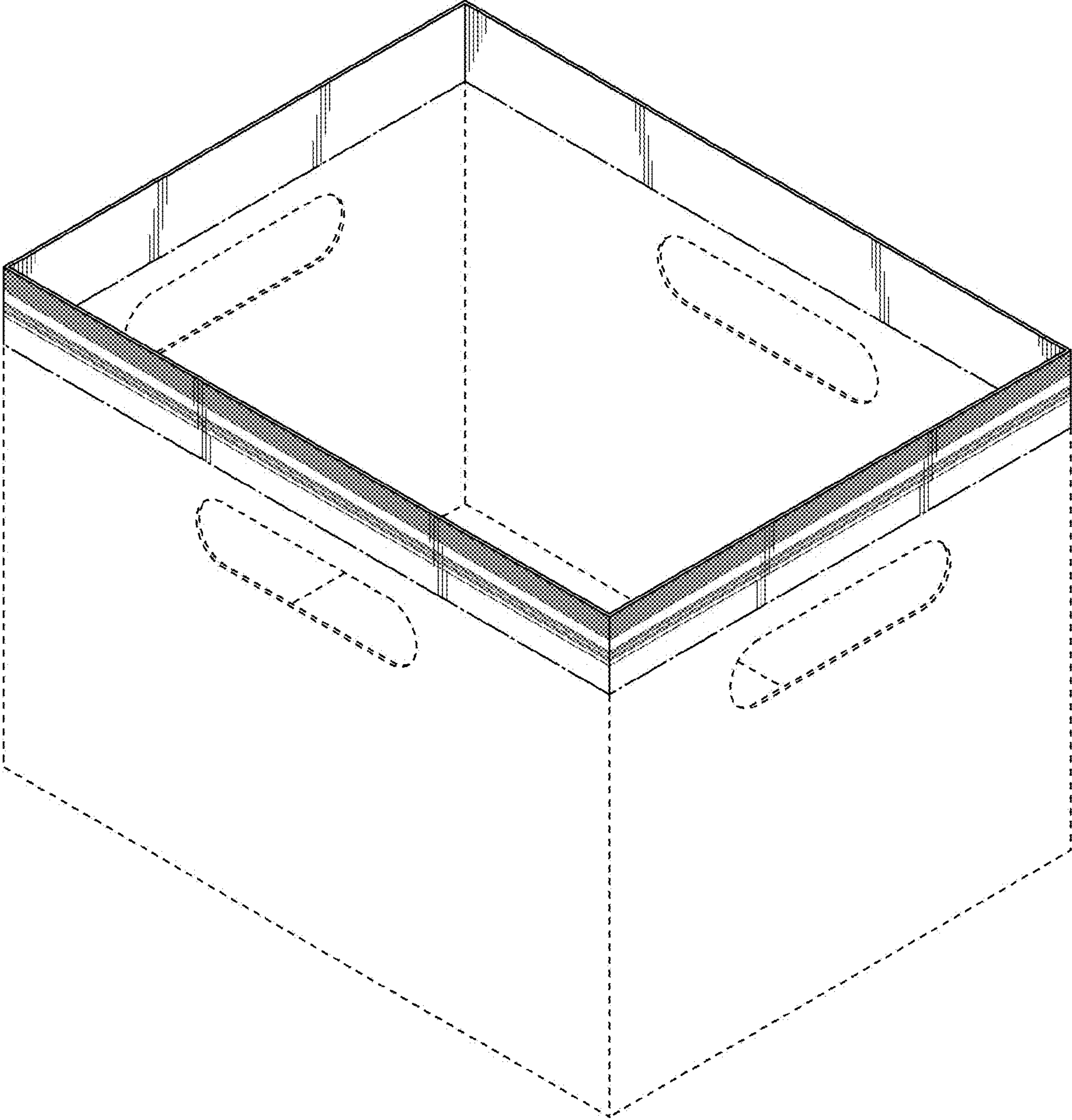
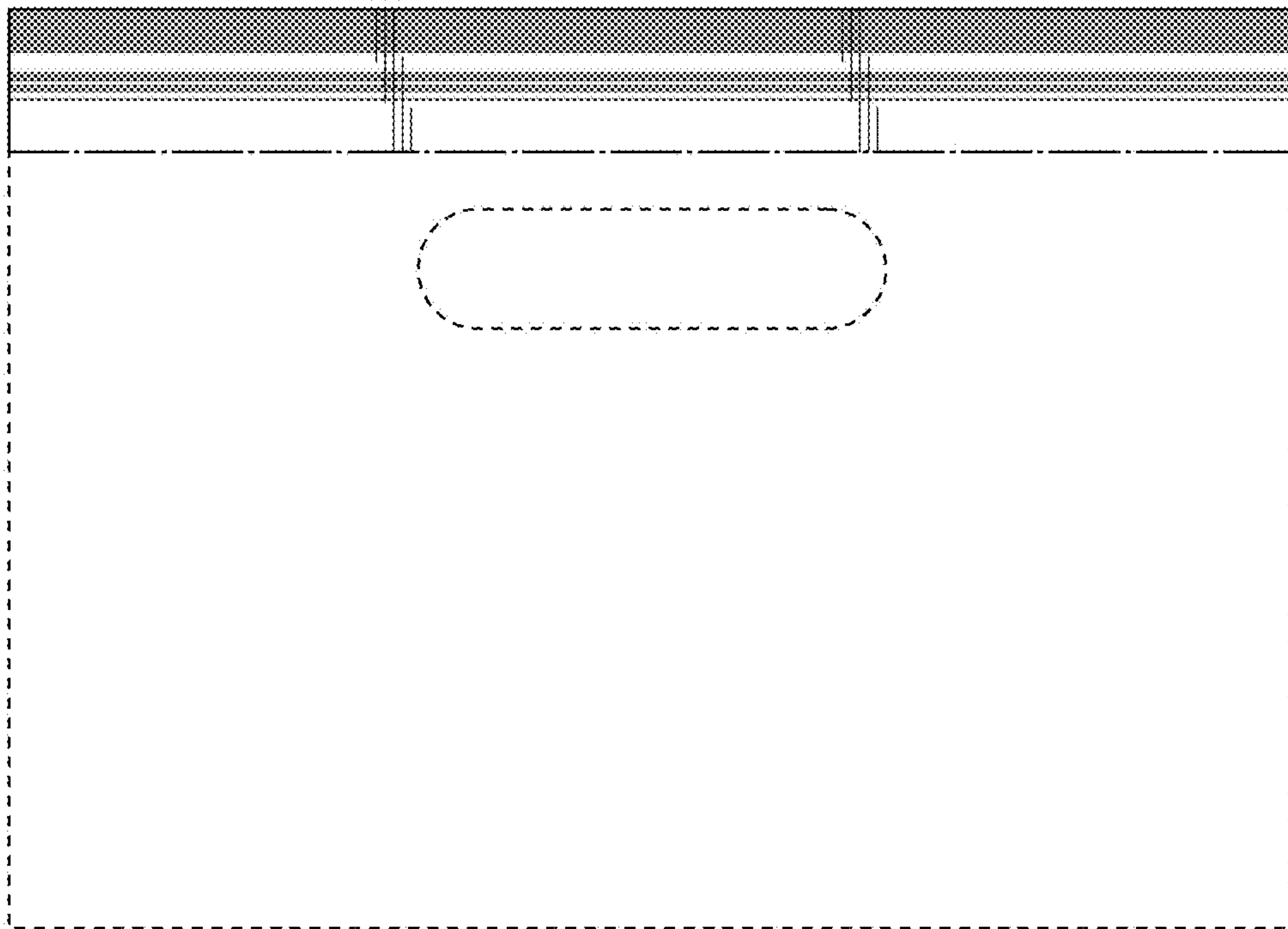


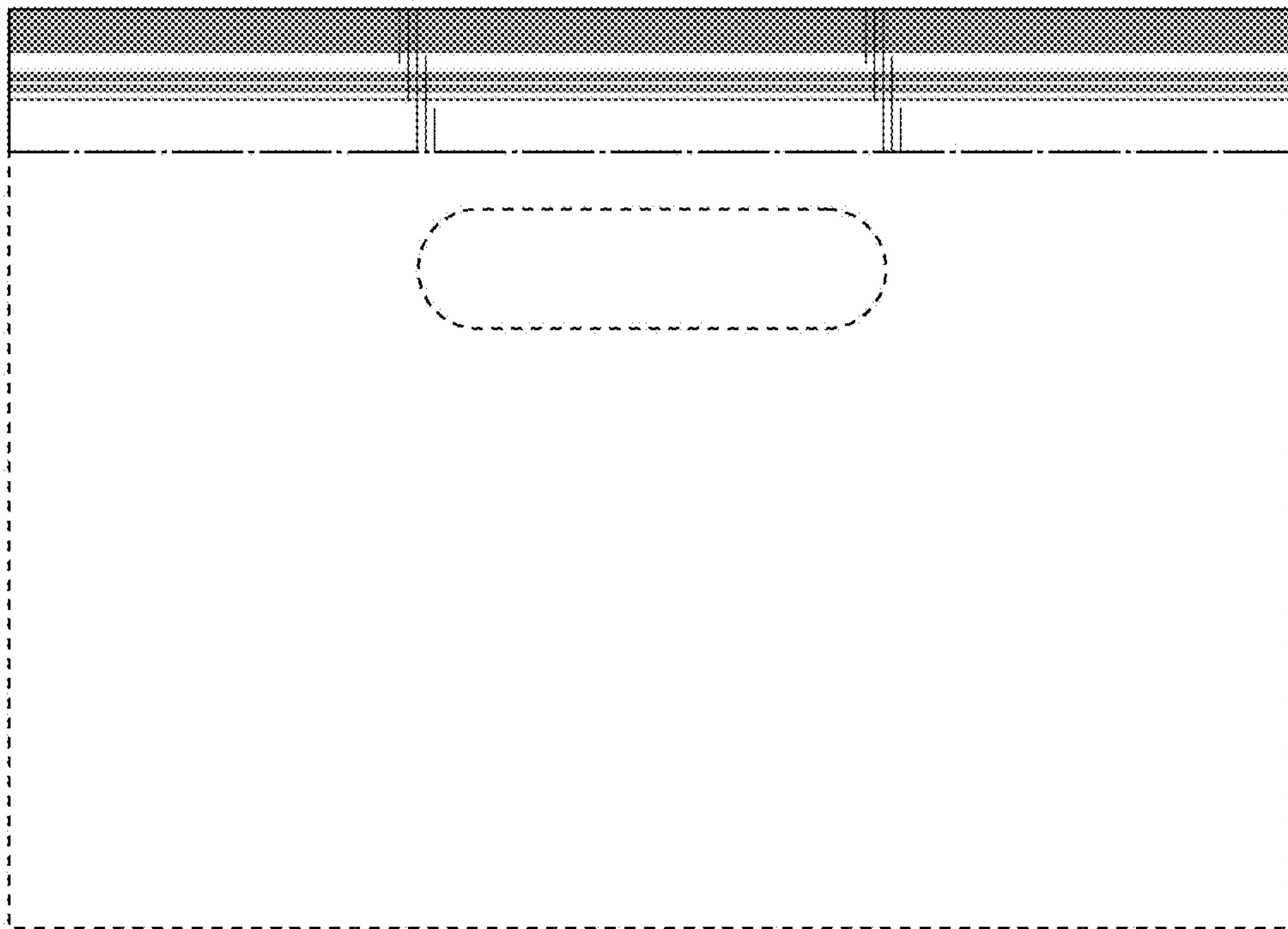
FIG. 8



**FIG. 9**



**FIG. 10**



**FIG. 11**

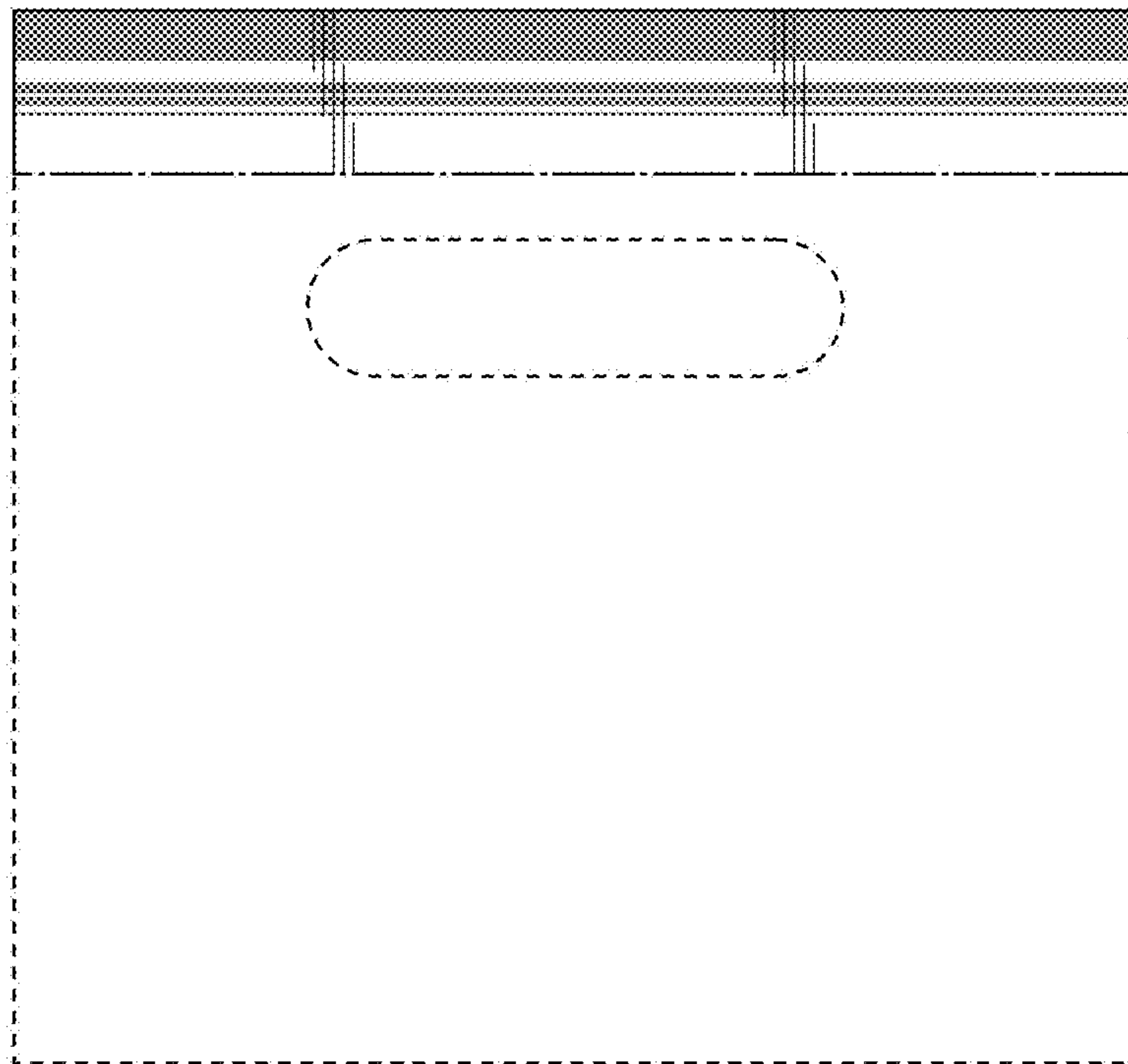


**FIG. 12**





**FIG. 13**



**FIG. 14**

