



US00D927295S

(12) **United States Design Patent** (10) **Patent No.:** **US D927,295 S**
Lanois (45) **Date of Patent:** **** Aug. 10, 2021**

(54) **SCREW**
(71) Applicant: **RRR Sports LLC**, Austin, TX (US)
(72) Inventor: **Daniel Lanois**, Prosper, TX (US)
(73) Assignee: **RRR Sports LLC**, Austin, TX (US)
(**) Term: **15 Years**

(21) Appl. No.: **29/690,316**
(22) Filed: **May 7, 2019**
(51) **LOC (13) Cl.** **08-08**
(52) **U.S. Cl.**
USPC **D8/387**; D24/171
(58) **Field of Classification Search**
USPC D24/156; D8/393, 397, 349, 354, 382,
D8/399
CPC F16B 19/00; F16B 12/22; F16B 12/24;
F16B 15/02; F16B 15/06; F16B 31/025;
F16B 35/00; F16B 35/06; F16B 37/14;
A61C 13/0001; A61C 13/10; A61C
13/102; A61C 13/30; A61C 8/0048; A61C
8/005; A61C 8/0054; A61C 8/0074; B25B
13/50; B25B 27/14
See application file for complete search history.

(56) **References Cited**
U.S. PATENT DOCUMENTS

5,725,581 A * 3/1998 Brånemark A61F 2/30749
606/304
D411,009 S * 6/1999 Asfora D24/155
6,375,465 B1 * 4/2002 Engman A61C 8/0022
433/172
6,382,976 B1 * 5/2002 Wagner A61C 8/0022
433/174
D503,803 S * 4/2005 Shalaby D24/156
D565,181 S * 3/2008 Anitua Aldecoa D24/156
D577,122 S * 9/2008 Aldecoa D24/156
D588,699 S * 3/2009 Aldecoa D24/156

D588,700 S * 3/2009 Anitua Aldecoa D24/156
D603,512 S * 11/2009 Emanuelli D24/156
D603,513 S * 11/2009 Emanuelli D24/156
D603,514 S * 11/2009 Emanuelli D24/156
D629,905 S 12/2010 Horton et al.
D653,344 S * 1/2012 Bar-Shalom D24/156
D748,263 S * 1/2016 Ishiwata D24/156
(Continued)

FOREIGN PATENT DOCUMENTS

AR 938150001 A1 8/2018
CA 85472 A 12/1998
(Continued)

OTHER PUBLICATIONS

Bio-fusion-screw, Date visited: Nov. 11, 2020, <https://www.biofusionmedical.com>, Online, Date: May 2020, <https://www.biofusionmedical.com/wp-content/uploads/2020/05/bio-diagram-final.jpg> (Year: 2020).*
(Continued)

Primary Examiner — Janice Hallmark
Assistant Examiner — Elizabeth S Ko
(74) *Attorney, Agent, or Firm* — Husch Blackwell LLP

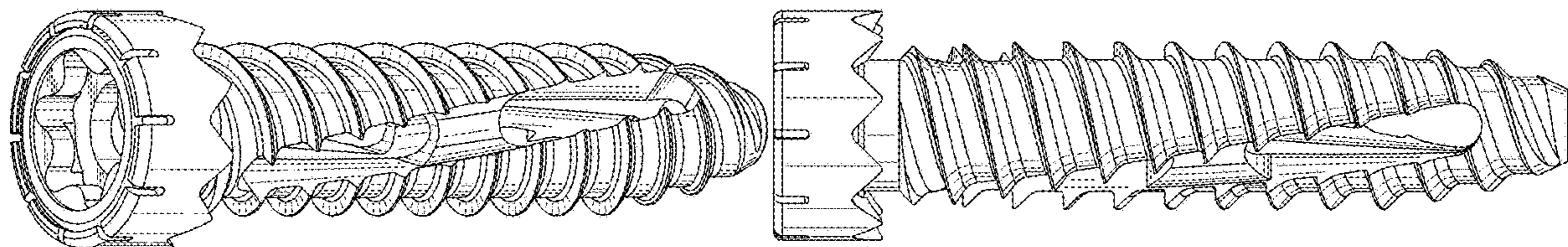
(57) **CLAIM**

The ornamental design for a screw, as shown and described.

DESCRIPTION

FIG. 1 is a perspective view of a screw showing my new design;
FIG. 2 is a back plan view of the screw shown in FIG. 1;
FIG. 3 is a front plan view of the screw shown in FIG. 1;
FIG. 4 is a top side view of the screw shown in FIG. 1;
FIG. 5 is a back side view of the screw shown in FIG. 1;
FIG. 6 is a left side view of the screw shown in FIG. 1; and,
FIG. 7 is a right side view of the screw shown in FIG. 1.

1 Claim, 3 Drawing Sheets



(56)

References Cited

U.S. PATENT DOCUMENTS

D749,738	S *	2/2016	Weiner	D24/156
9,526,548	B2	12/2016	Asfora	
D783,821	S *	4/2017	Folsom	D24/155
9,724,149	B2	8/2017	Trieu et al.	
D819,432	S *	6/2018	Bennett	D8/387
D820,073	S *	6/2018	Iacono	D8/382
D838,369	S *	1/2019	Thome	D24/155
D845,485	S *	4/2019	Thome	D24/155
D848,251	S *	5/2019	Wang	D8/385
2008/0118893	A1 *	5/2008	Armellini	A61C 19/06 433/174
2008/0261176	A1 *	10/2008	Hurson	A61C 8/0069 433/174
2013/0209960	A1 *	8/2013	Benhamou	A61C 8/0001 433/174
2014/0031934	A1	1/2014	Trieu	
2016/0287301	A1	10/2016	Mehl et al.	
2017/0172706	A1 *	6/2017	Lapinski	A61C 13/30
2018/0042652	A1	2/2018	Mari et al.	
2018/0116814	A1	5/2018	Sullivan et al.	
2018/0235669	A1	8/2018	Whipple et al.	
2020/0030062	A1 *	1/2020	Kullick	A61C 8/0059
2020/0146786	A1 *	5/2020	Fromovich	A61C 8/0068
2020/0229904	A1 *	7/2020	Hurson	A61C 8/0025
2020/0345464	A1 *	11/2020	Soler	A61C 8/008

FOREIGN PATENT DOCUMENTS

EM	004364081-0001	9/2017
EM	004902005-0004	3/2018

OTHER PUBLICATIONS

Reflect Dental Implant Systems _ integrated dental systems, Date visited: Nov. 11, 2020, <https://idsimplants.com>, online, <https://idsimplants.com/dental-implant-systems/reflect/> (Year: 2020).*

“Samba Screw System Minimally Invasive Surgical Solution for Sacroiliac Joint Disruption.” Medical Designs, LLC, pp. 1-4, 2013.

“Sicure(R) Sacroiliac Joint Fusion System: Surgical Technique Guide.” Alevio, LLC, Birmingham, AL, pp. 1-19, 2013.

Perriello, Brad, “Yale study of Medtronic Infuse shows its equivalent to bone graft, but studies were biased.” MassDevice Medical Network, pp. 1-4, Jun. 17, 2013. [Accessed at <https://www.massdevice.com/yale-study-medtronic-infuse-shows-its-equivalent-bone-graft-studies-were-biased/>].

“Life Spine Announces Alpha Launch of Simpact Tri-Fin Sacroiliac Joint Fixation Screws.” Life Spine, Huntley, IL, pp. 1-2, Nov. 21, 2017. [Accessed at <https://lifespine.com/project/simpact-tri-fin-alpha-launch/>].

“M.U.S.T. SI Sacro-Iliac Joint Screw System.” Medacta International, pp. 1-4, 2017-2018. [Accessed at <https://www.medacta.com/EN/must-si>].

Sandberg, Josh, “Spinefrontiers® First Sacrofuse® and Nanofuse Case Performed in Latin America.” Ortho Spine News, pp. 1-2, Feb. 22, 2019. [Accessed at: <http://www.orthospinenews.com/2019/02/22/spinefrontiers-first-sacrofuse-and-nanofuse-case-performed-in-latin-america/>].

* cited by examiner

FIG. 1

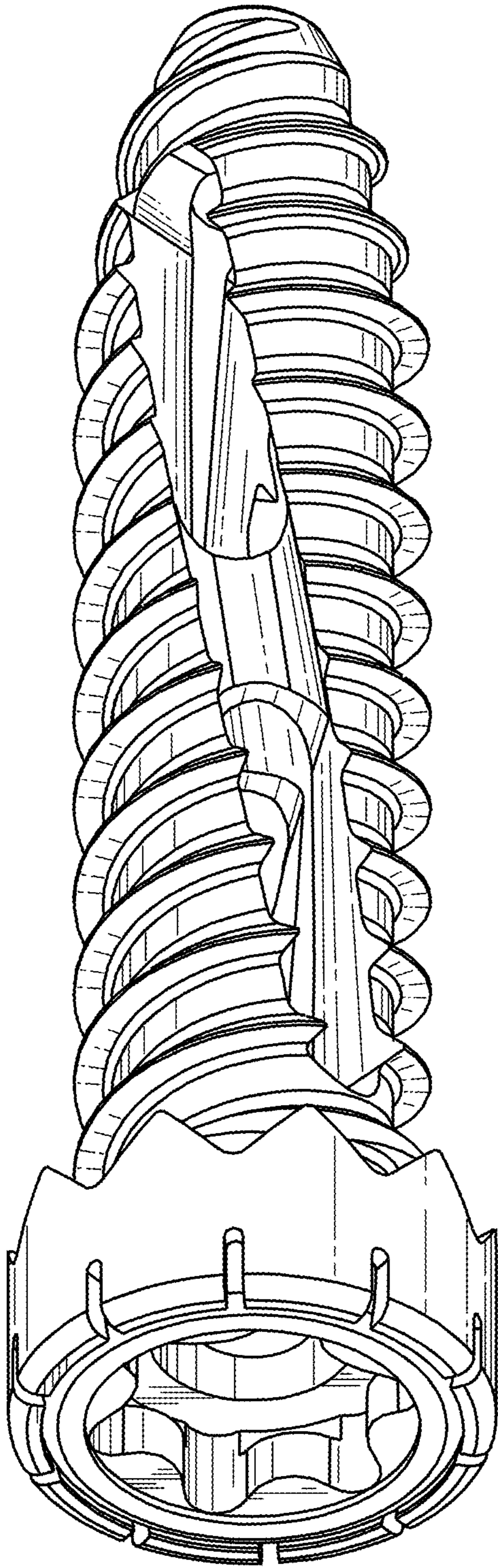


FIG. 2

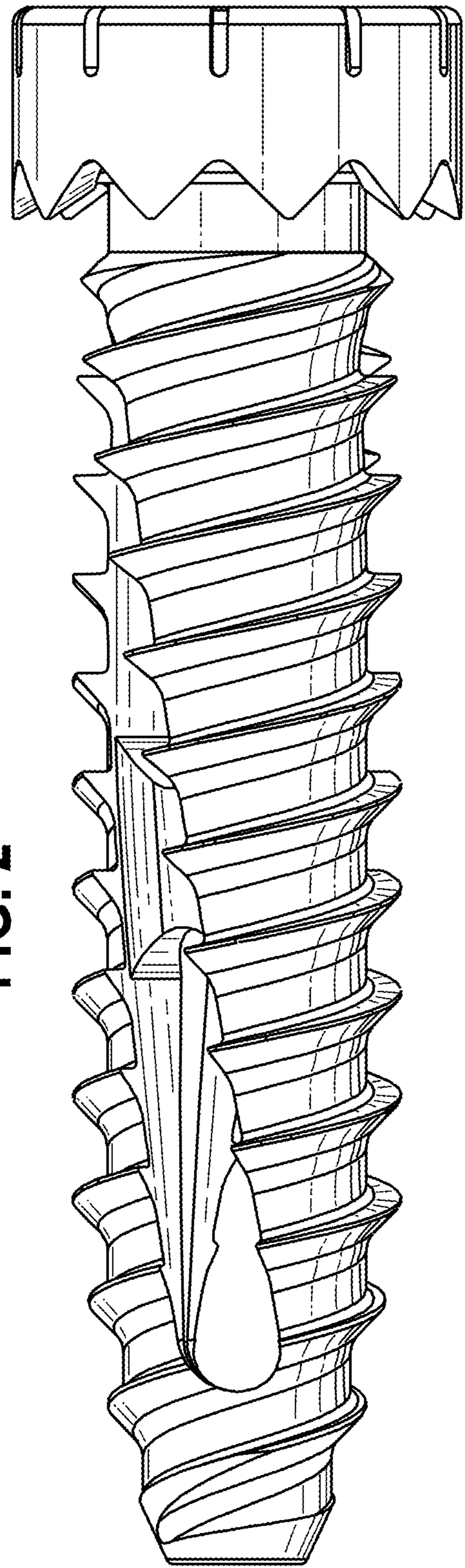


FIG. 3

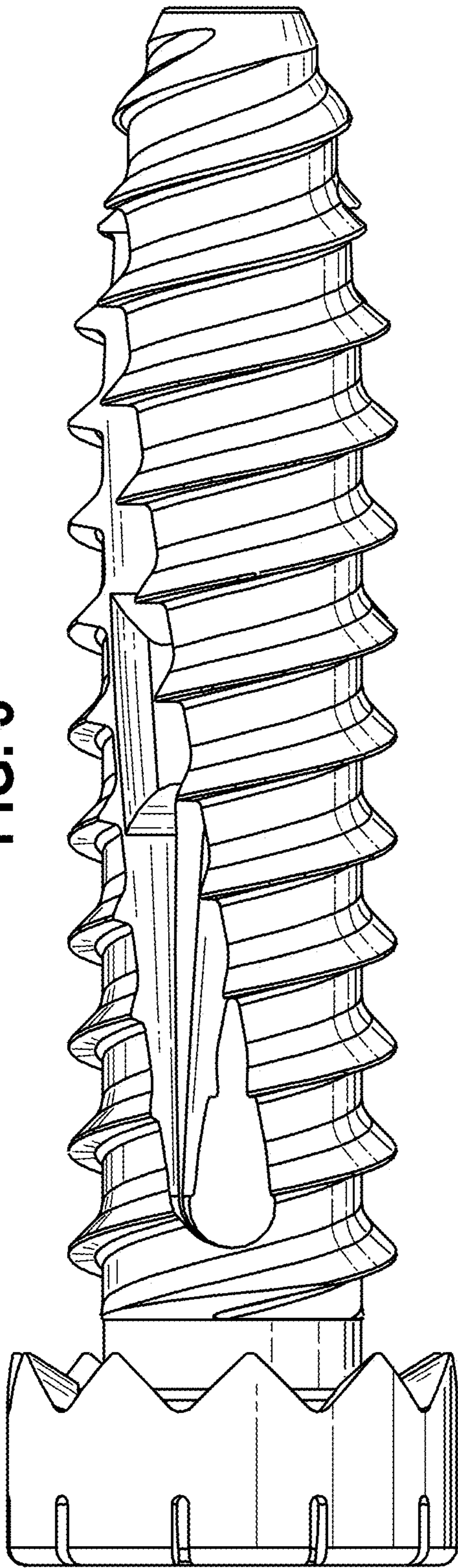


FIG. 4

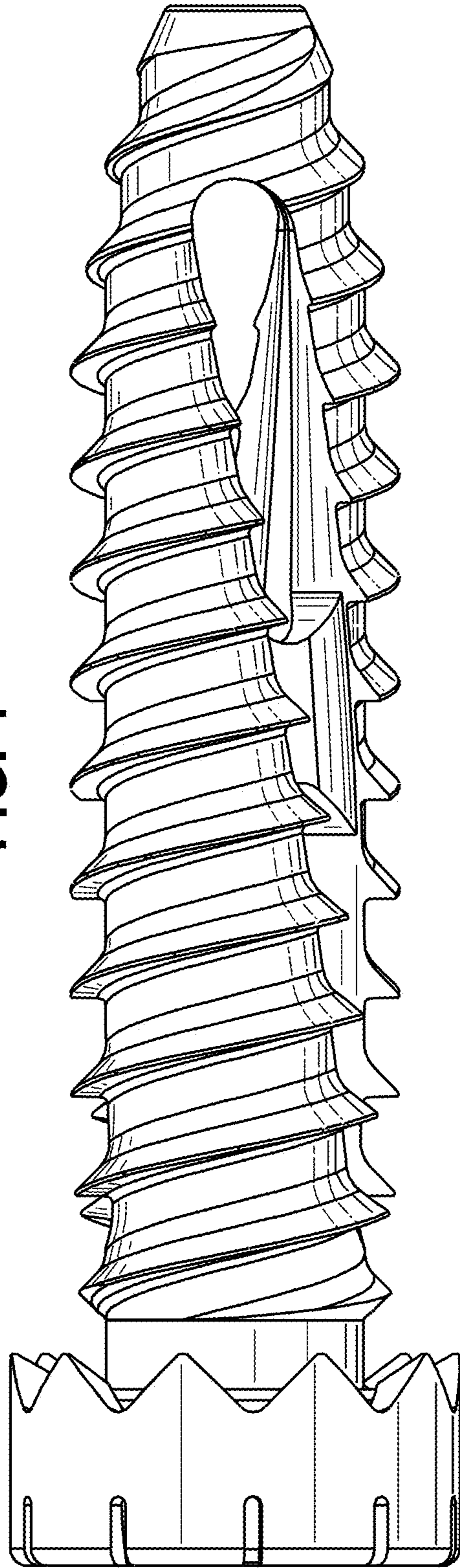


FIG. 5

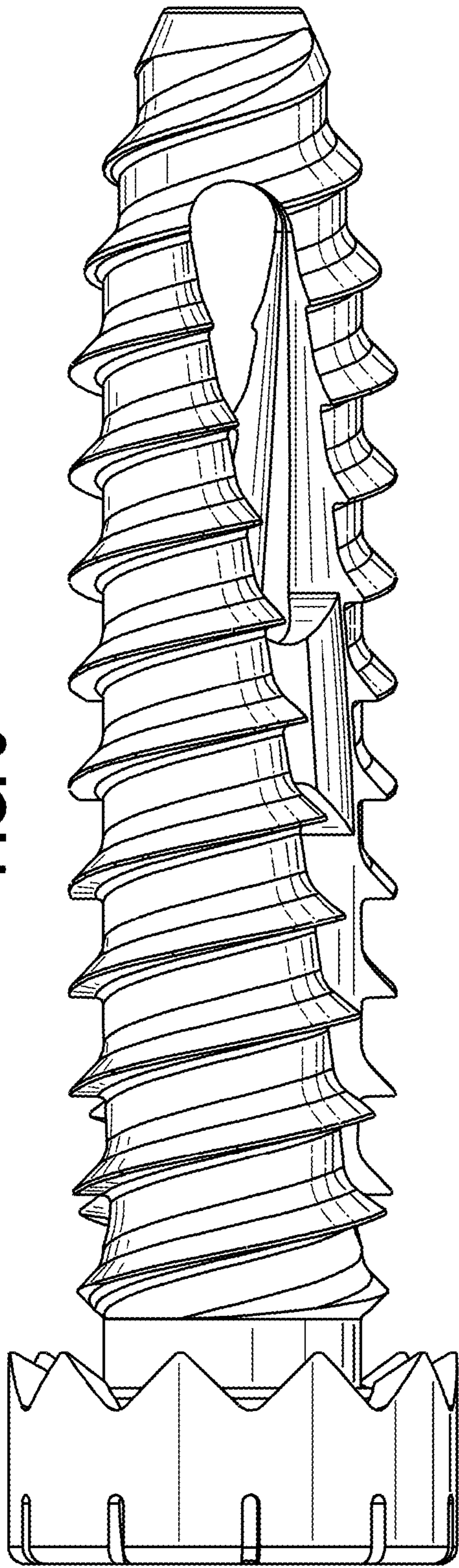


FIG. 7

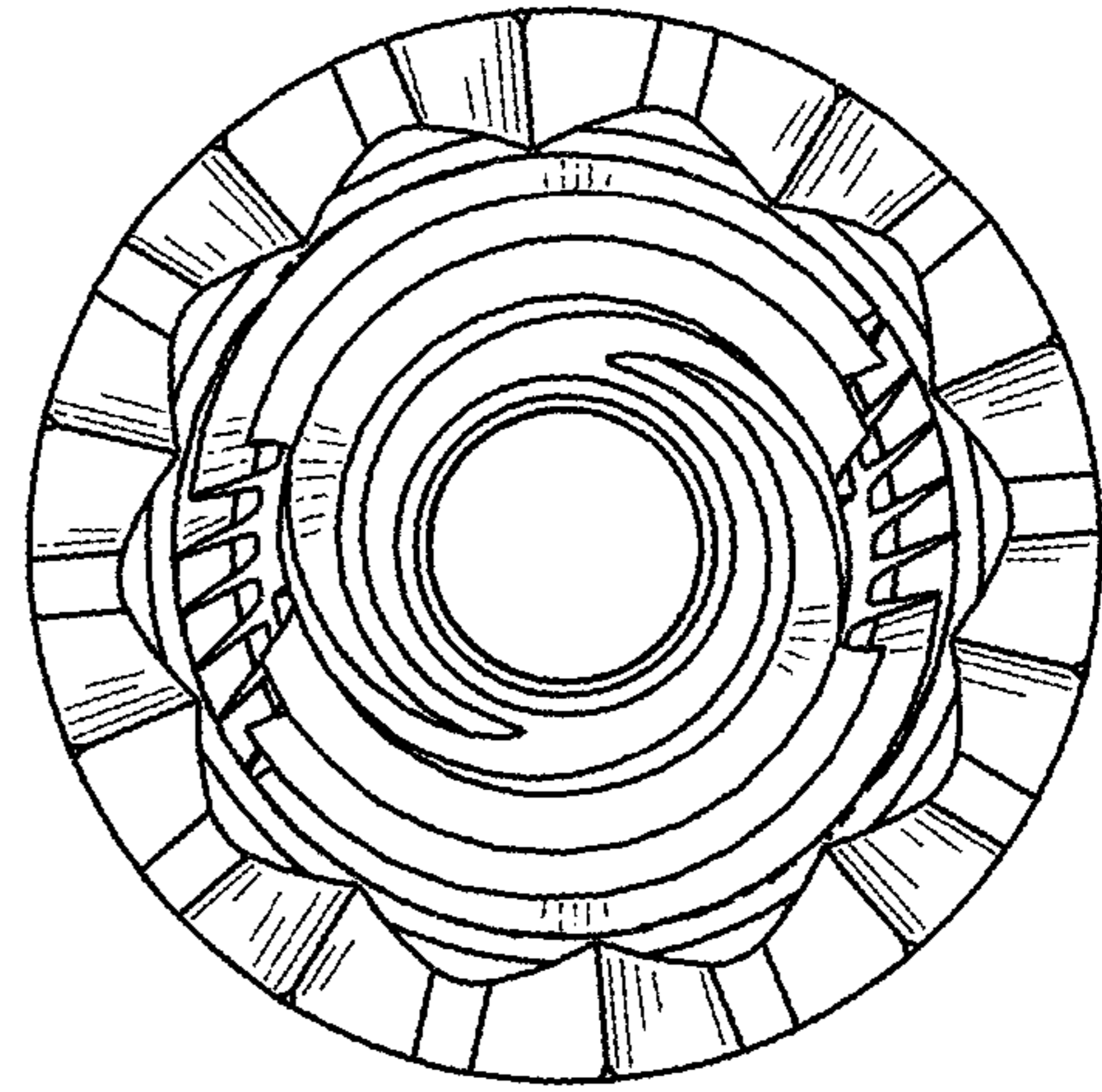


FIG. 6

