



US00D927294S

(12) **United States Design Patent** (10) **Patent No.:** **US D927,294 S**
Axelsson (45) **Date of Patent:** **** Aug. 10, 2021**

(54) **FASTENING DEVICE**

(71) Applicant: **MAFI AB**, Mora (SE)

(72) Inventor: **Andreas Axelsson**, Malung (SE)

(73) Assignee: **MAFI AB**, Mora (SE)

(**) Term: **15 Years**

(21) Appl. No.: **29/725,366**

(22) Filed: **Feb. 25, 2020**

(30) **Foreign Application Priority Data**

Sep. 5, 2019 (EM) 006814539

(51) **LOC (13) Cl.** **08-08**

(52) **U.S. Cl.**
USPC **D8/382**

(58) **Field of Classification Search**
USPC D8/44, 71, 72, 382, 349, 354, 394, 383,
D8/499; D10/103, 121; D13/133, 149,
D13/154
CPC H01Q 1/12; H01Q 1/1207; H01Q 1/1228;
H01Q 1/125; F16L 3/02; F16L 3/10;
F16L 3/1016; F16L 3/1091; F16M
13/022; F16B 2/12; F16B 2/065; F16B
7/00; F16B 7/04; F16B 7/0446; F16B
7/0486

See application file for complete search history.

(56) **References Cited**

U.S. PATENT DOCUMENTS

2,890,848 A * 6/1959 Johnson, Jr. B23Q 3/1546
248/74.4
D257,663 S * 12/1980 McKee D8/354
D257,664 S * 12/1980 McKee D8/354
D280,288 S * 8/1985 Lickton D8/499
D286,977 S * 12/1986 Steck D8/394
D296,545 S * 7/1988 Sachs D13/149

D296,546 S * 7/1988 Sachs D13/149
D305,219 S * 12/1989 Wood D12/133
D332,939 S * 2/1993 McDonough, Jr. D13/149
5,274,888 A * 1/1994 Payne F16L 3/02
24/277
D347,990 S * 6/1994 Petrohilos D8/382
D381,113 S * 7/1997 Safyan D13/149
6,283,425 B1 * 9/2001 Liljevik H01Q 1/125
248/218.4
D454,479 S * 3/2002 Kolpin D8/349
D472,454 S * 4/2003 Levay D8/382
D565,402 S * 4/2008 Curran D8/499
D574,225 S * 8/2008 Scheib D8/382
D593,848 S * 6/2009 Balemi D15/28
D593,849 S * 6/2009 Balemi D15/28
D599,198 S * 9/2009 Balemi D8/382
D659,522 S * 5/2012 Noturno F16B 5/0028
D8/382
D661,713 S * 6/2012 Marchesan D15/28
8,721,185 B2 * 5/2014 Marchesan A01B 59/002
384/428
D752,415 S * 3/2016 Lu D8/349
D758,171 S * 6/2016 Kim D8/356

(Continued)

Primary Examiner — Sandra Snapp
Assistant Examiner — Ieisha N Price
(74) *Attorney, Agent, or Firm* — Nixon & Vanderhye P.C.

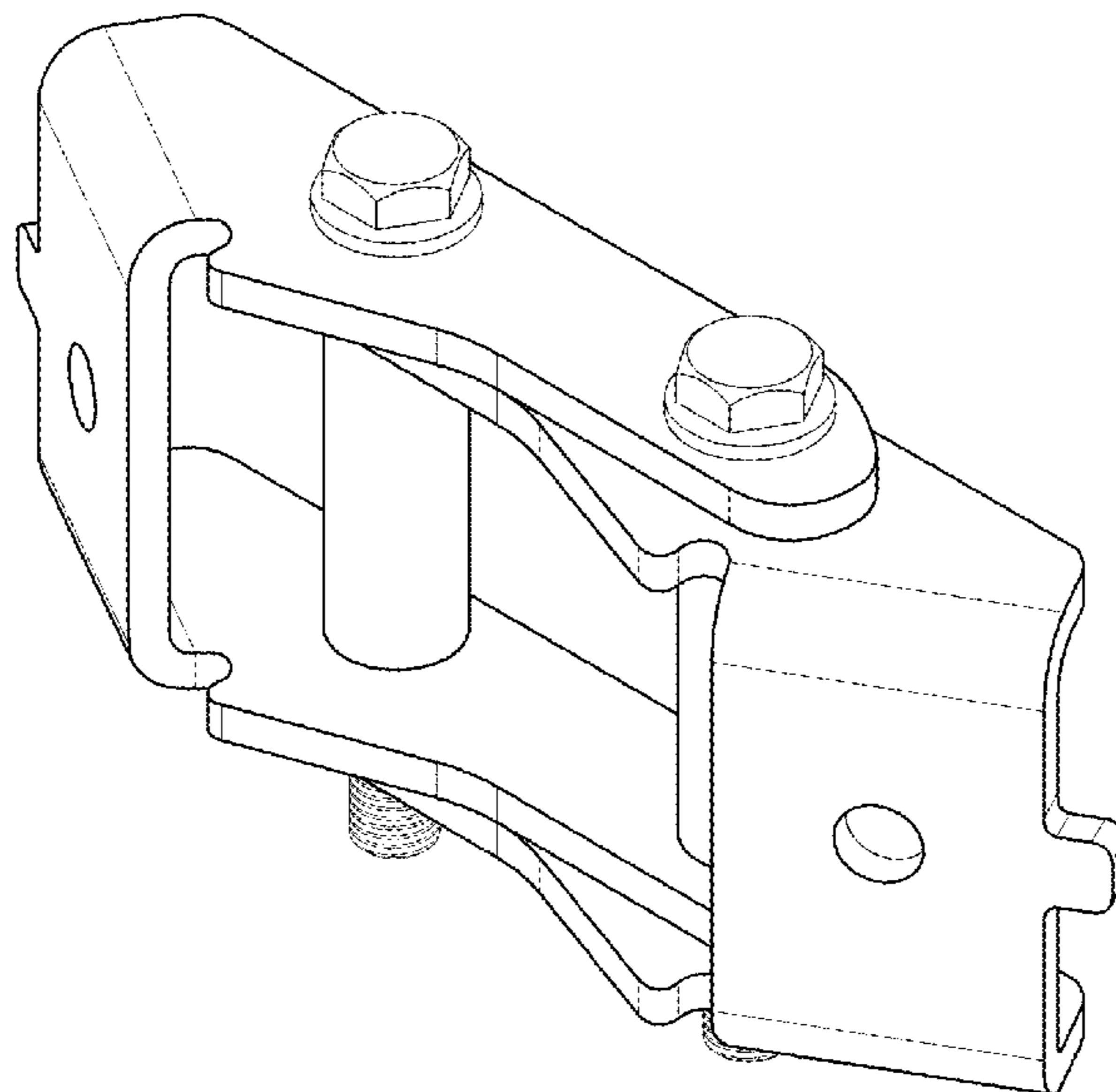
(57) **CLAIM**

The ornamental design for a fastening device, as shown and described.

DESCRIPTION

FIG. 1 is a perspective view of the fastening device;
FIG. 2 is a second perspective view thereof;
FIG. 3 is a rear view thereof;
FIG. 4 is a front view thereof;
FIG. 5 is a right side view thereof, the opposite side being a mirror image;
FIG. 6 is a bottom view thereof; and,
FIG. 7 is a top view thereof.

1 Claim, 4 Drawing Sheets



(56)

References Cited

U.S. PATENT DOCUMENTS

D758,178 S * 6/2016 Kim D8/396
D768,469 S * 10/2016 Bengtsson D8/382
D782,292 S * 3/2017 Wessel D8/382
D850,890 S * 6/2019 Cole D8/354
D850,892 S * 6/2019 Lin D8/373
D854,403 S * 7/2019 Guo D8/382
D876,201 S * 2/2020 Wassdahl D8/349
D876,211 S * 2/2020 Wassdahl D8/382
D877,602 S * 3/2020 Nolfi D8/382
D880,279 S * 4/2020 Marchesan D8/354
D886,572 S * 6/2020 Axelsson D8/382
D890,597 S * 7/2020 Qi D8/354
D907,991 S * 1/2021 Axelsson D8/382
2013/0256477 A1 * 10/2013 Fackler F16M 11/10
248/201
2016/0322697 A1 * 11/2016 Skrepcinski H01Q 1/1235
2017/0122491 A1 * 5/2017 Mancuso F16M 13/02
2017/0310023 A1 * 10/2017 Trombley H01R 4/46
2020/0191325 A1 * 6/2020 Roberts F16B 2/10
2020/0321678 A1 * 10/2020 Renilson H01Q 1/1228

* cited by examiner

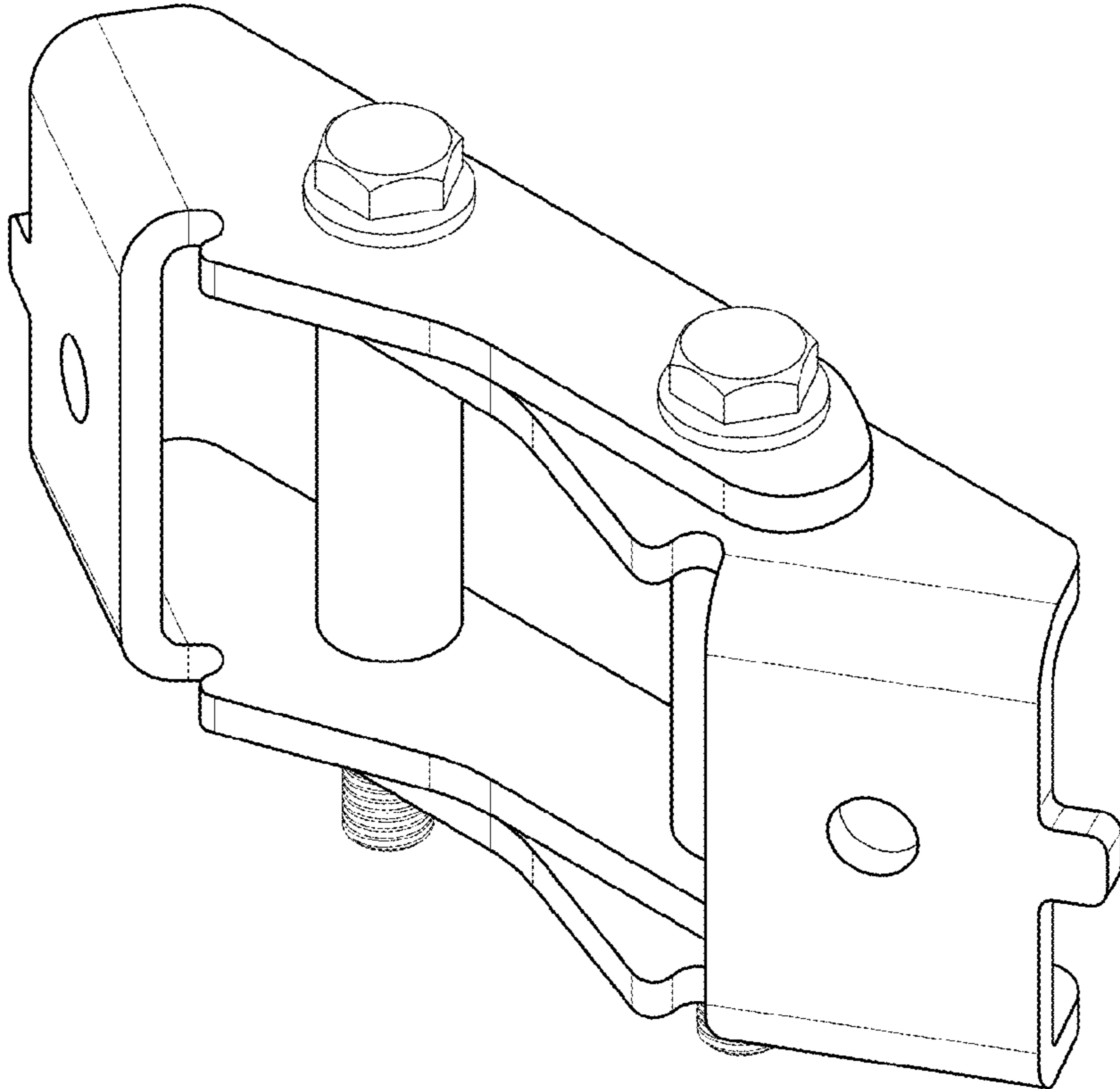


FIG. 1

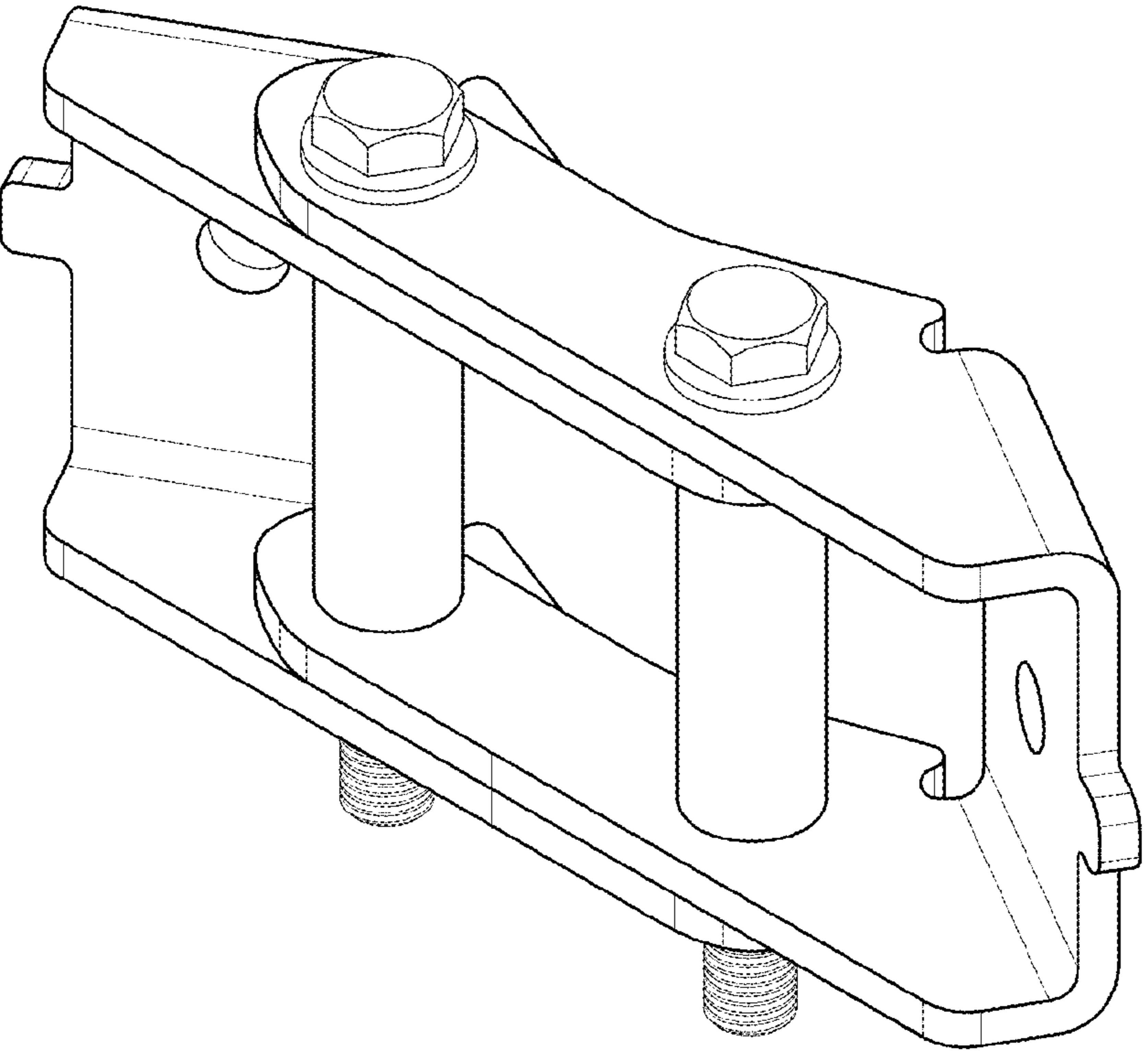


FIG. 2

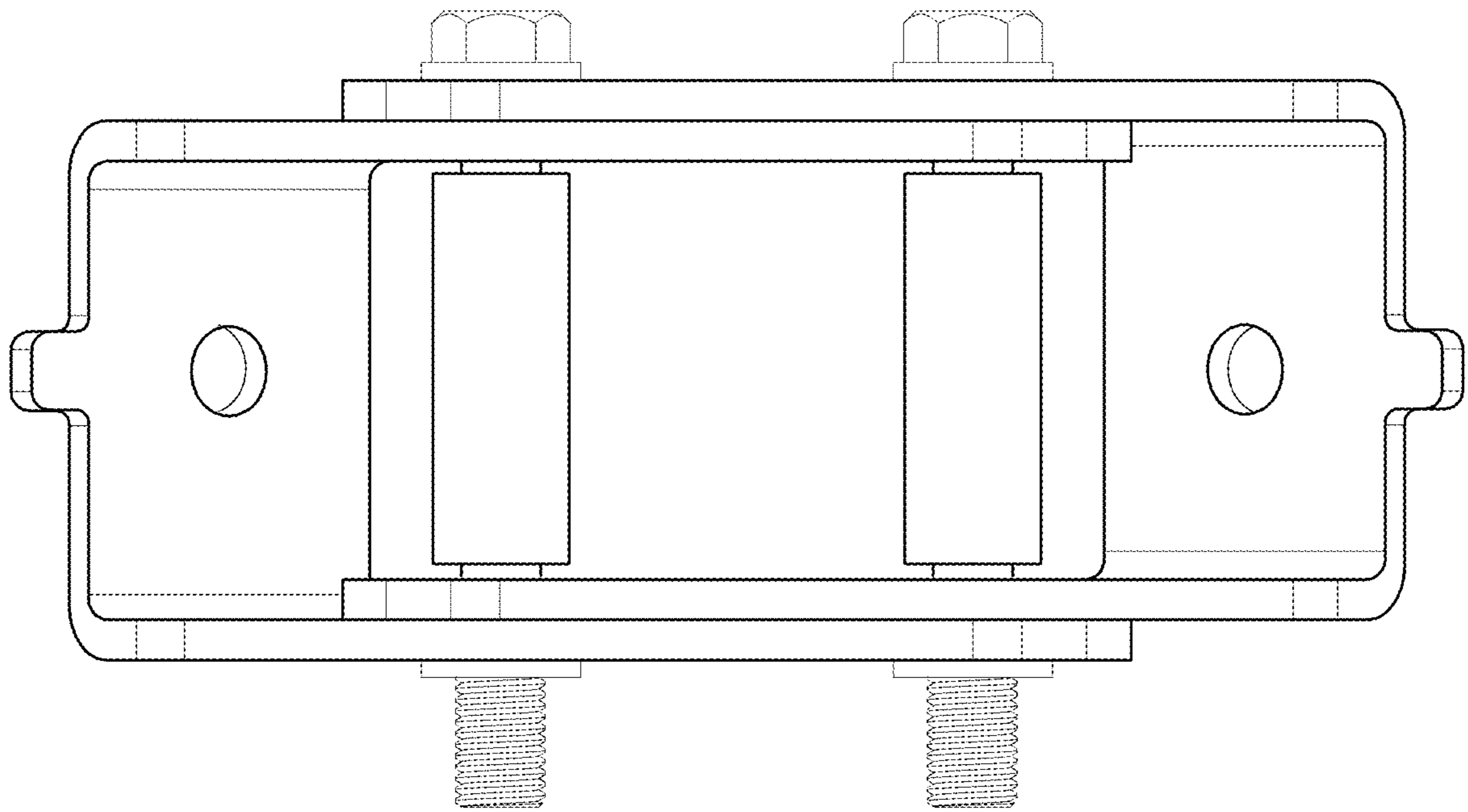


FIG. 3

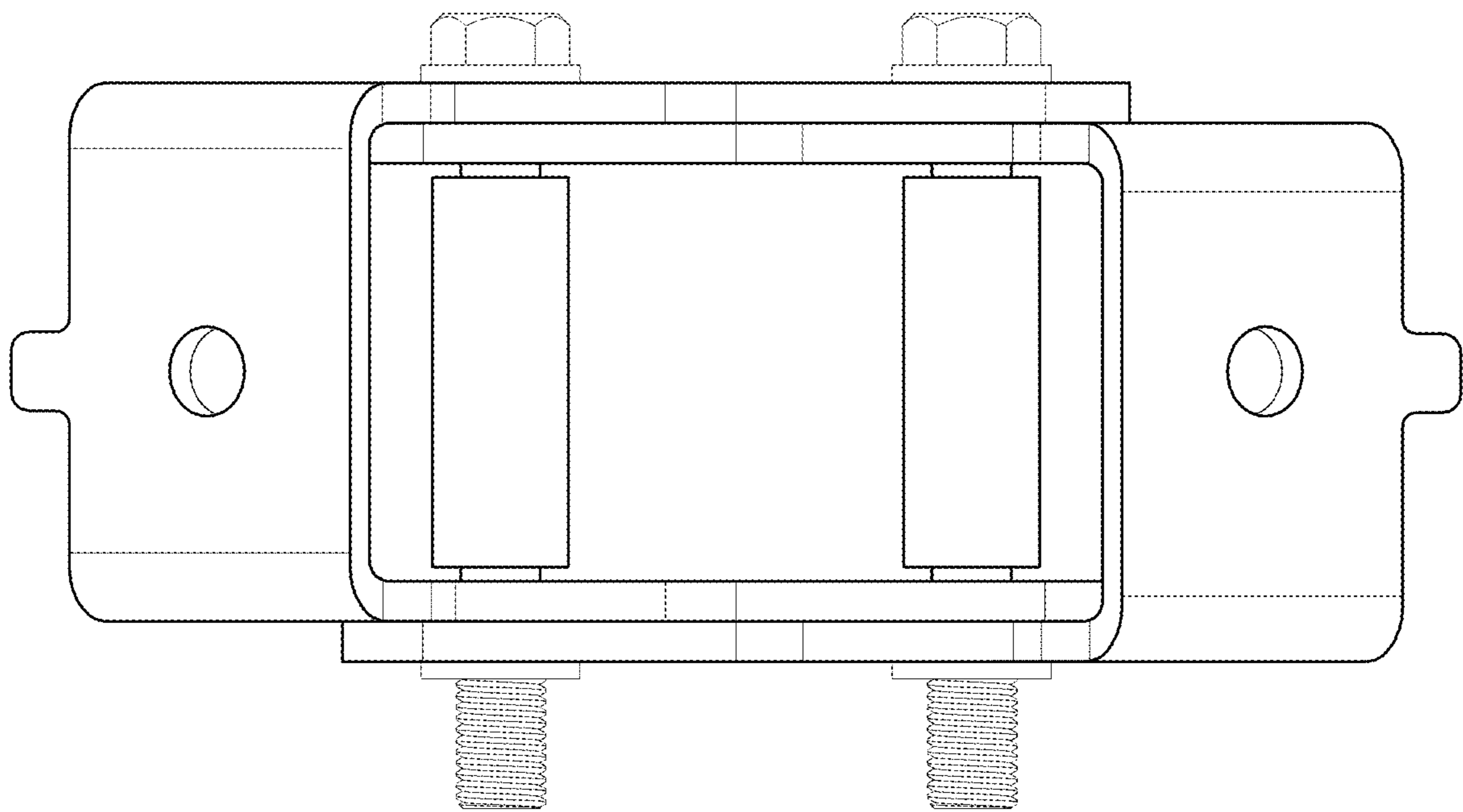


FIG. 4

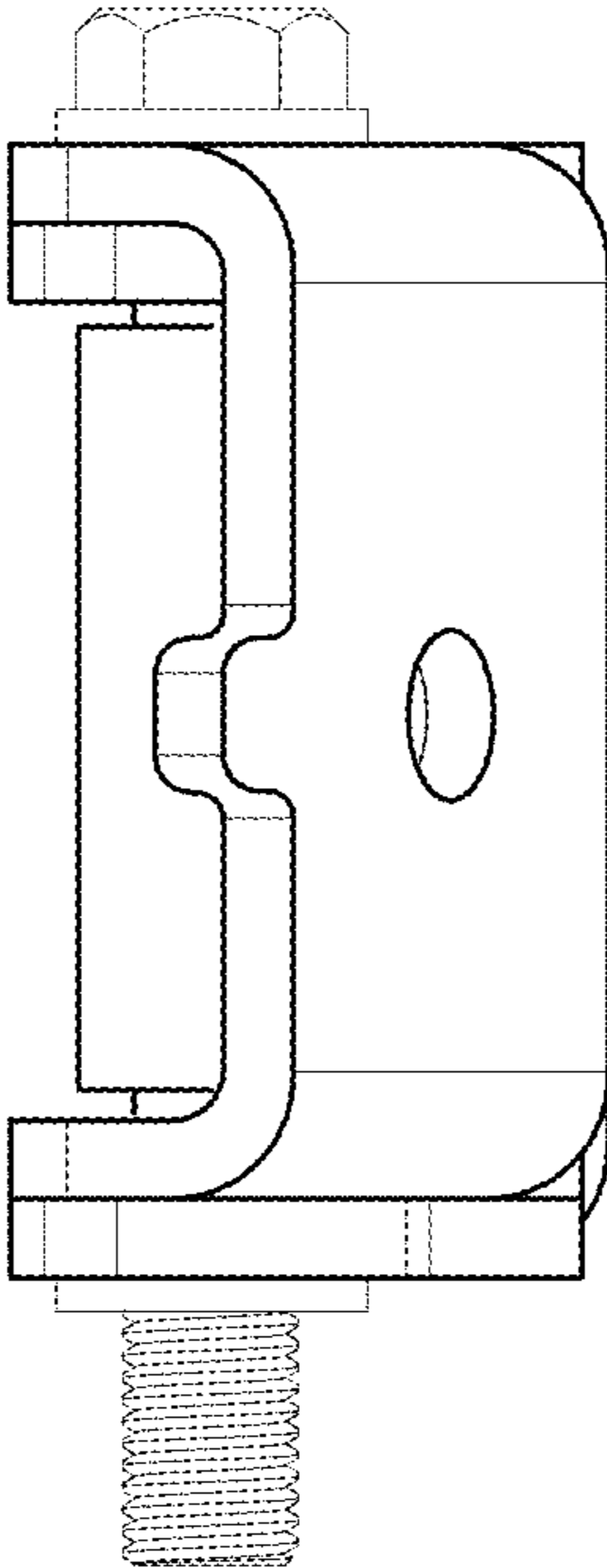


FIG. 5

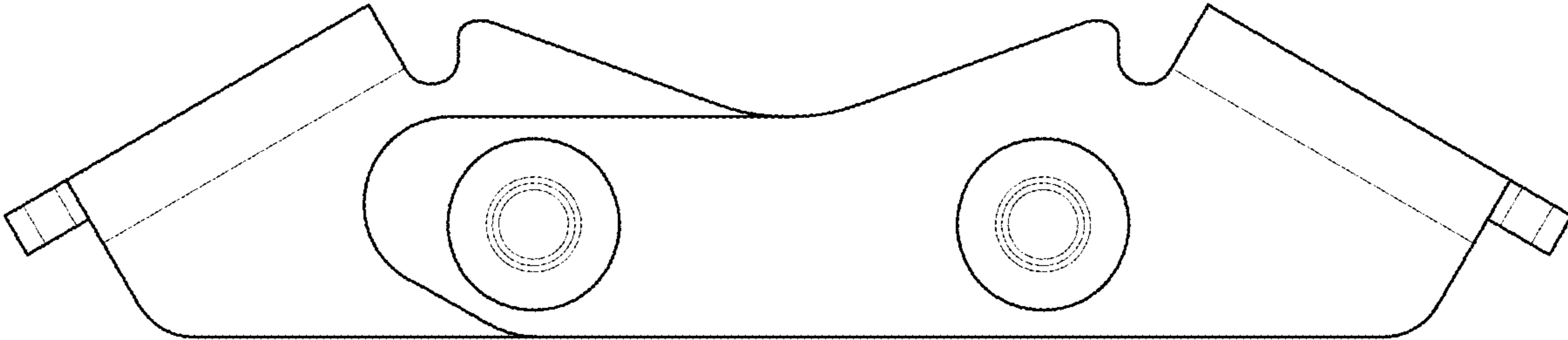


FIG. 6

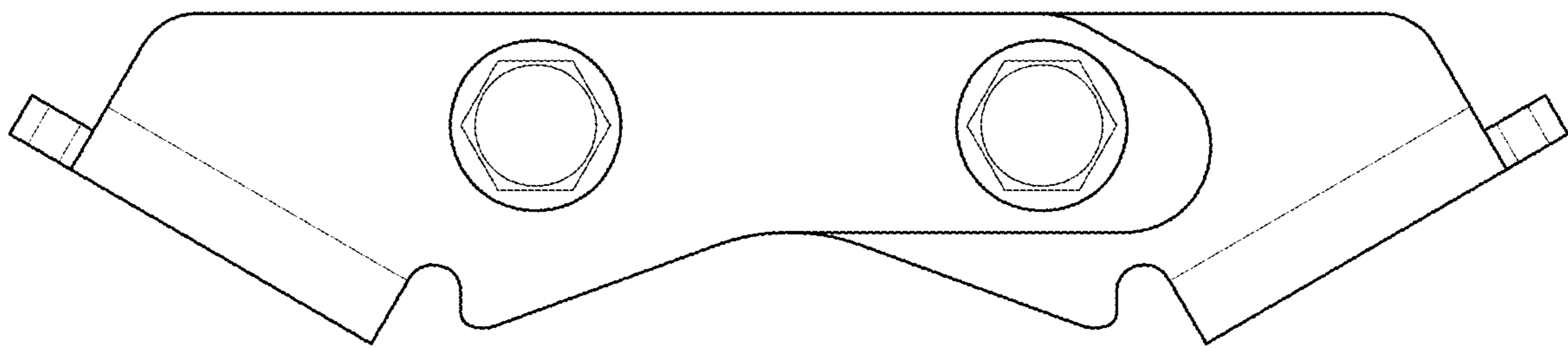


FIG. 7