



US00D927292S

(12) **United States Design Patent** (10) **Patent No.:** **US D927,292 S**
Zussman (45) **Date of Patent:** **** Aug. 10, 2021**

(54) **SHELF BRACKET**

(71) Applicant: **Daniel R. Zussman**, Pawtucket, RI (US)

(72) Inventor: **Daniel R. Zussman**, Pawtucket, RI (US)

(73) Assignee: **Plastics Plus Inc.**, Cumberland, RI (US)

(**) Term: **15 Years**

(21) Appl. No.: **29/651,816**

(22) Filed: **Apr. 2, 2019**

(51) **LOC (13) Cl.** **08-05**

(52) **U.S. Cl.**
USPC **D8/381**

(58) **Field of Classification Search**

USPC D8/380, 71, 300, 307, 313, 381, 354, D8/355, 356, 367, 394, 382, 336, 402; D32/72; D13/118, 149, 154; D25/103, D25/119, 125, 136, 164; D6/300, 660, D6/661, 672, 702, 705; D20/15, 43
CPC ... A61G 12/005; A61G 12/007; B60P 7/0815; A47F 5/0853; A47B 2220/0041; A47B 55/00; A47B 57/22; A47B 57/32; A47B 57/42; A47B 57/485; A47B 57/52; A47B 88/407; A47B 88/43; A47B 95/008; A47B 96/00; A47B 96/028; A47B 96/06; A47B 96/07; A47B 96/20; A47B 57/562; A47B 73/00; A47B 81/007; A47B 96/061; E04B 2001/405; E04B 1/40; E04B 1/1903; E04B 1/2403; E04B 1/2604; E04B 1/2612; E04B 1/4178; E04B 1/7629; E04B 1/7654; E04B 1/942; E04B 2001/1963; E04B 2001/199; E04B 2001/1993; E04B 2001/2415; E04B 2001/2644; E04B 2001/2676; E04B

(Continued)

(56) **References Cited**

U.S. PATENT DOCUMENTS

2,534,952 A * 12/1950 Comer A47B 57/42
248/243
3,556,306 A * 1/1971 Shell A47B 96/021
211/90.02

(Continued)

FOREIGN PATENT DOCUMENTS

KR 301075385 * 9/2019

Primary Examiner — Susan Bennett Hattan

Assistant Examiner — Elizabeth S Ko

(74) *Attorney, Agent, or Firm* — Robert J Doherty

(57) **CLAIM**

The ornamental design for a shelf bracket, as shown and described.

DESCRIPTION

FIG. 1 is a front perspective view of a shelf bracket showing my new design;

FIG. 2 is an enlarged view with parts removed of FIG. 1;

FIG. 3 is a left side view of FIG. 2;

FIG. 4 is a right side view of FIG. 2;

FIG. 5 is a front elevation view of FIG. 2

FIG. 6 is a rear elevation view of FIG. 2;

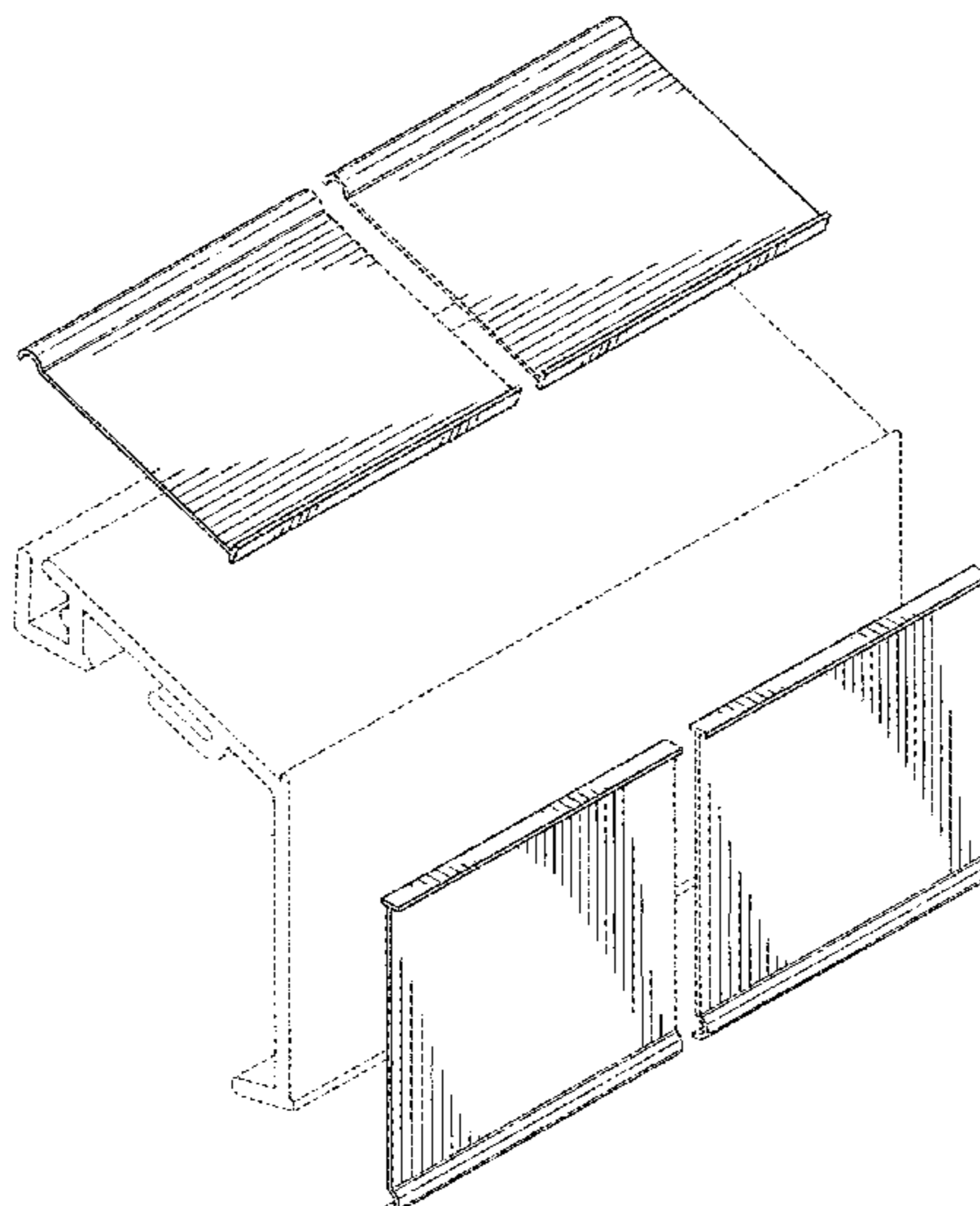
FIG. 7 is a top plan view of FIG. 2;

FIG. 8 is a bottom plan view of FIG. 2; and,

FIG. 9 is an exploded view of FIG. 1.

The claimed design is shown with a symbolic break in its length. The appearance of any portion of the shelf bracket between the broken lines forms no part of the claim. The broken lines immediately adjacent to the claimed surfaces depict the boundaries of the claim and form no part of the claim. The broken line circle in FIG. 1 depicts the area of enlargement shown in a broken line circle in FIG. 2 and forms no part of the claim. All other broken lines depict the environment of the claim and form no part of the claim.

1 Claim, 9 Drawing Sheets



(58) **Field of Classification Search**

CPC 2001/7679; E04B 2/7412; E04B 2/825;
E04B 2/96; E04B 7/045

See application file for complete search history.

(56) **References Cited**

U.S. PATENT DOCUMENTS

4,151,917 A * 5/1979 Pugh A47B 57/42
211/182
4,854,535 A * 8/1989 Winter A47B 57/42
248/220.22
5,199,579 A * 4/1993 Van Duyne A47B 57/045
108/108
5,702,011 A * 12/1997 Carroll A47B 47/042
108/180
5,893,470 A * 4/1999 Peggs A47B 96/028
211/90.01
6,364,263 B1 * 4/2002 Ryan A47B 96/06
248/239
D525,059 S * 7/2006 Golias, Sr. D6/705
7,246,711 B1 * 7/2007 Metcalf A47B 45/00
211/106.01
7,261,214 B2 * 8/2007 Wagner A47F 5/0823
108/147.11
D568,648 S * 5/2008 Roussel D6/705.1
7,775,379 B2 * 8/2010 Hodge A47F 5/0846
211/55
D643,656 S * 8/2011 Golias, Sr. D6/705
9,212,019 B2 * 12/2015 Frost A47F 7/147
10,021,972 B1 * 7/2018 Robinson A47B 96/061
10,327,551 B1 * 6/2019 Johnson A47B 96/028

* cited by examiner

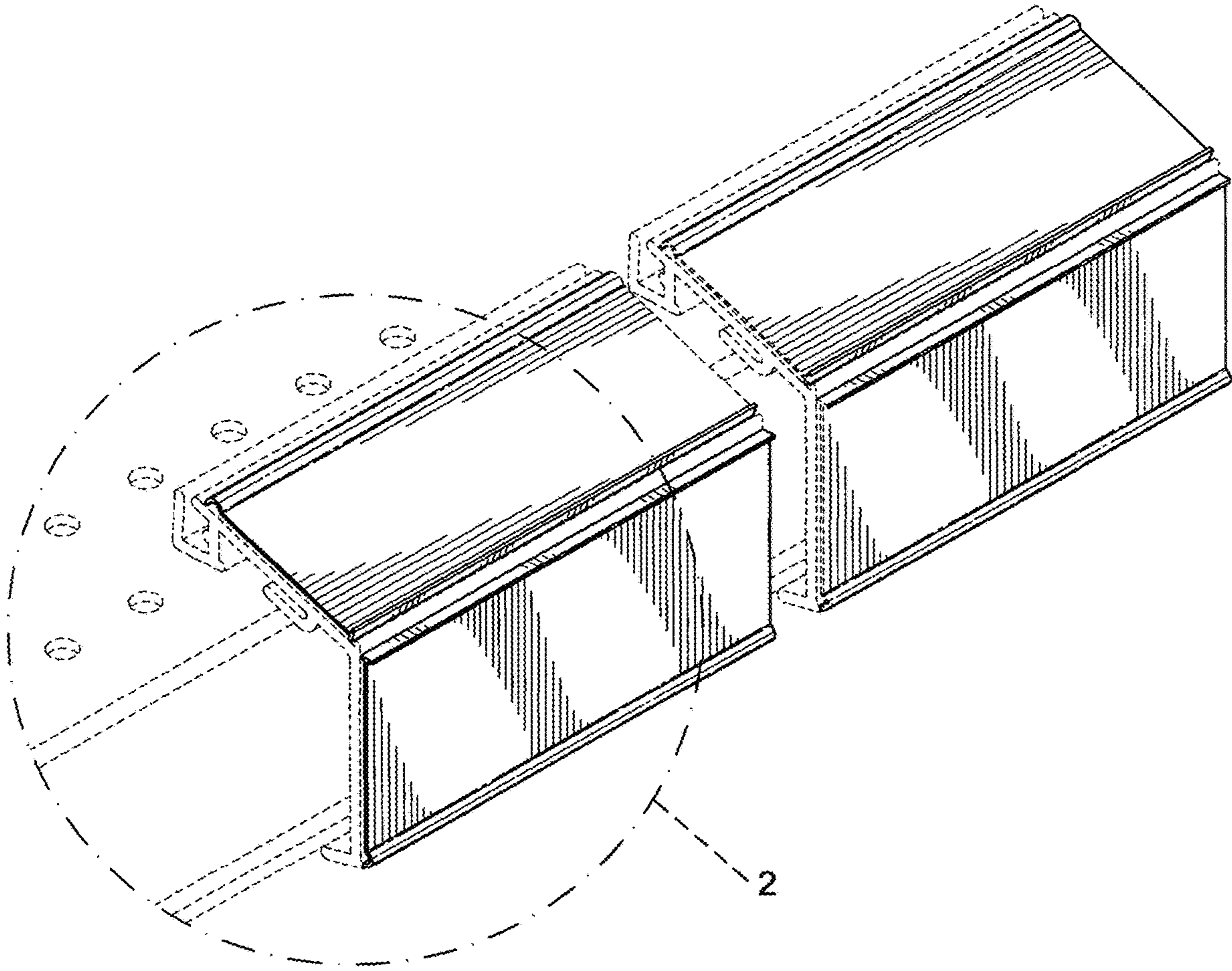


FIG. 1

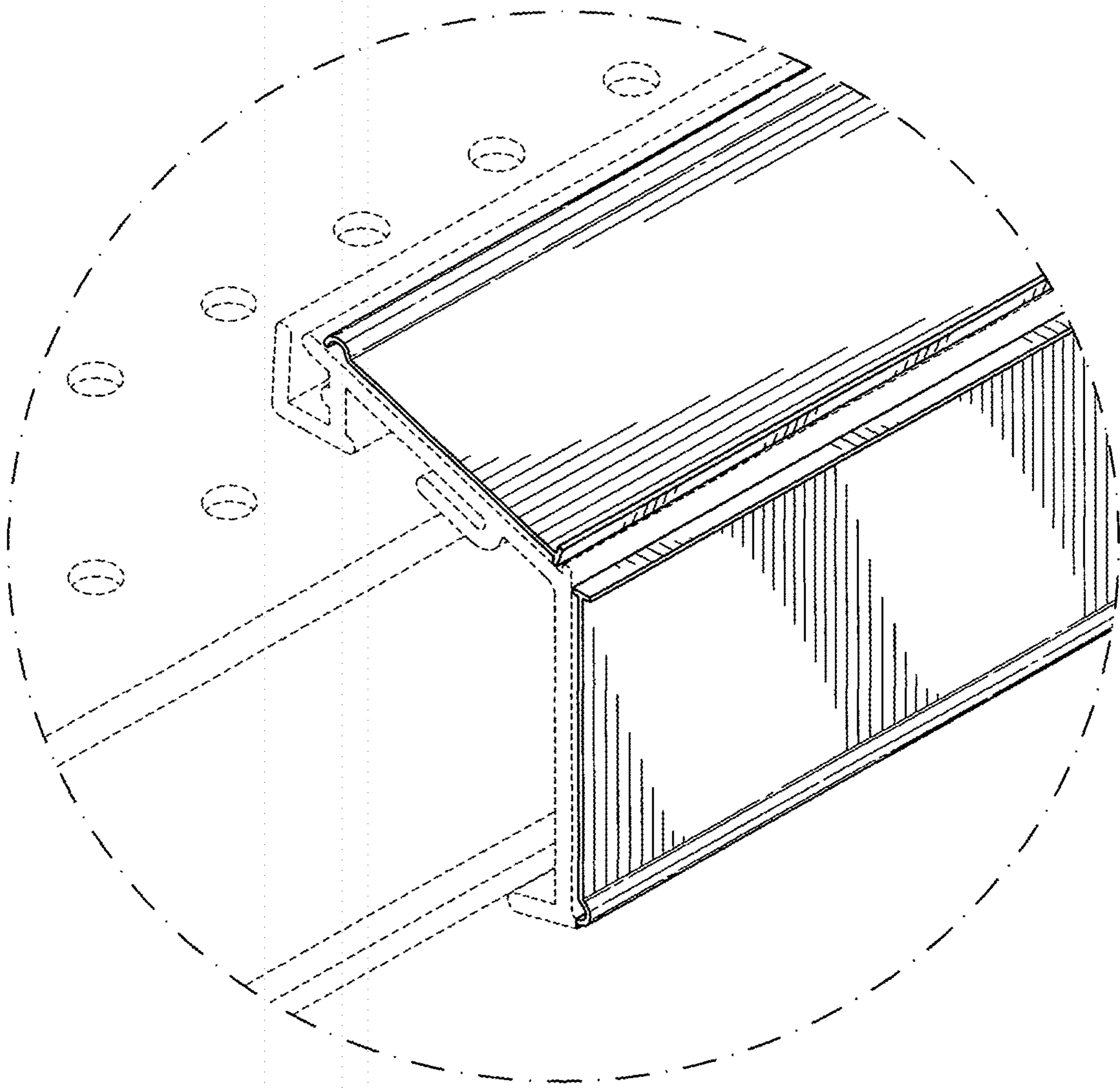


FIG. 2

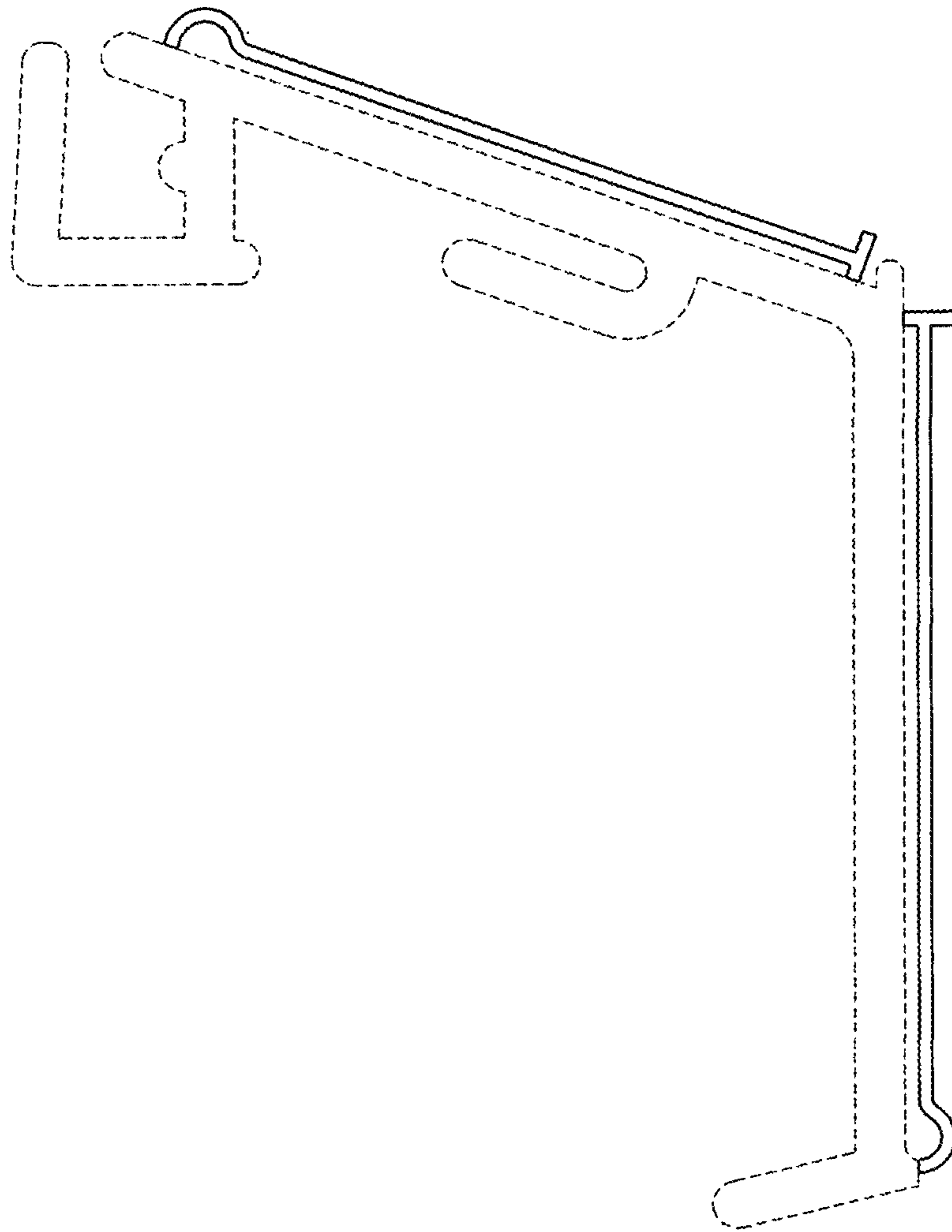


FIG. 3

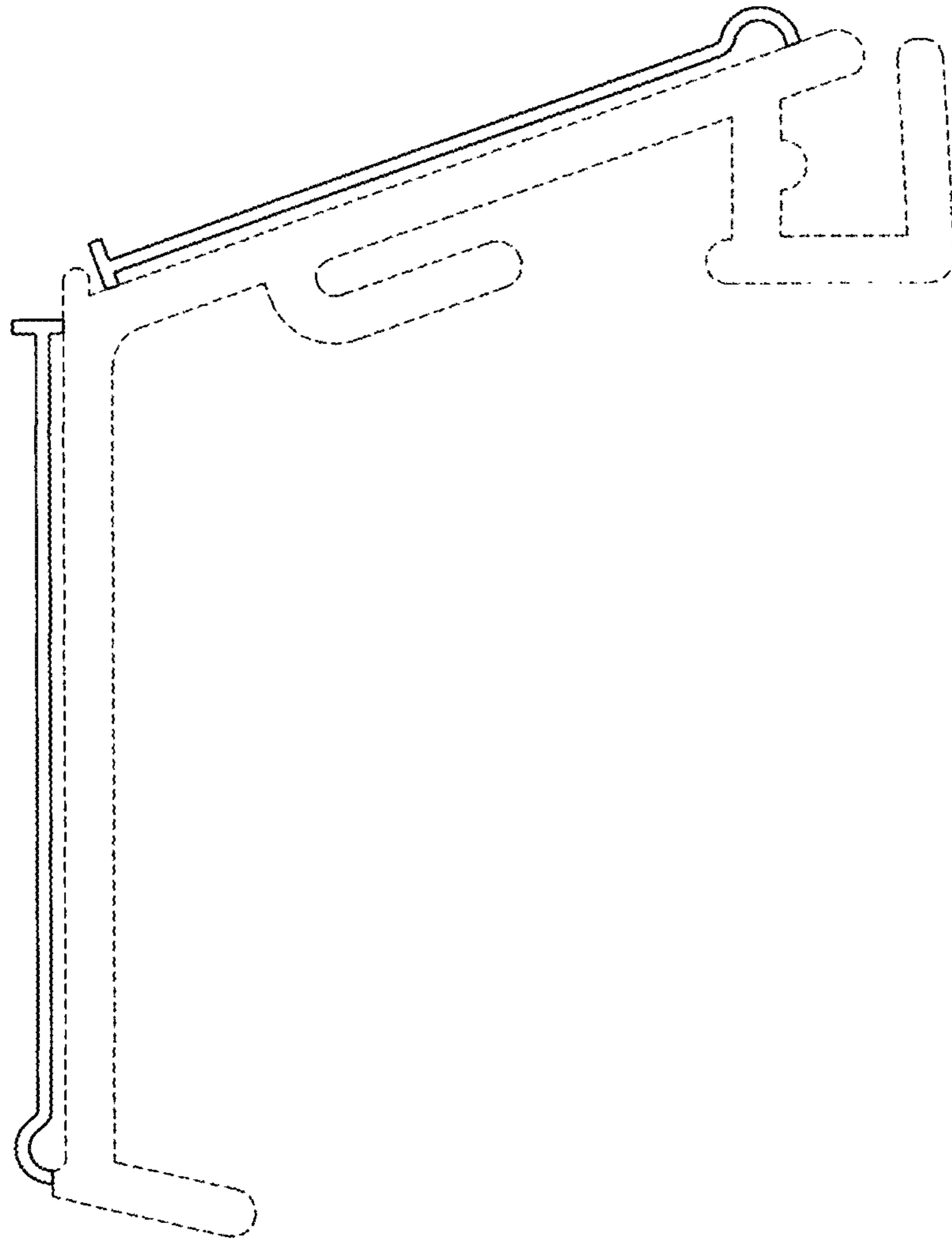


FIG. 4

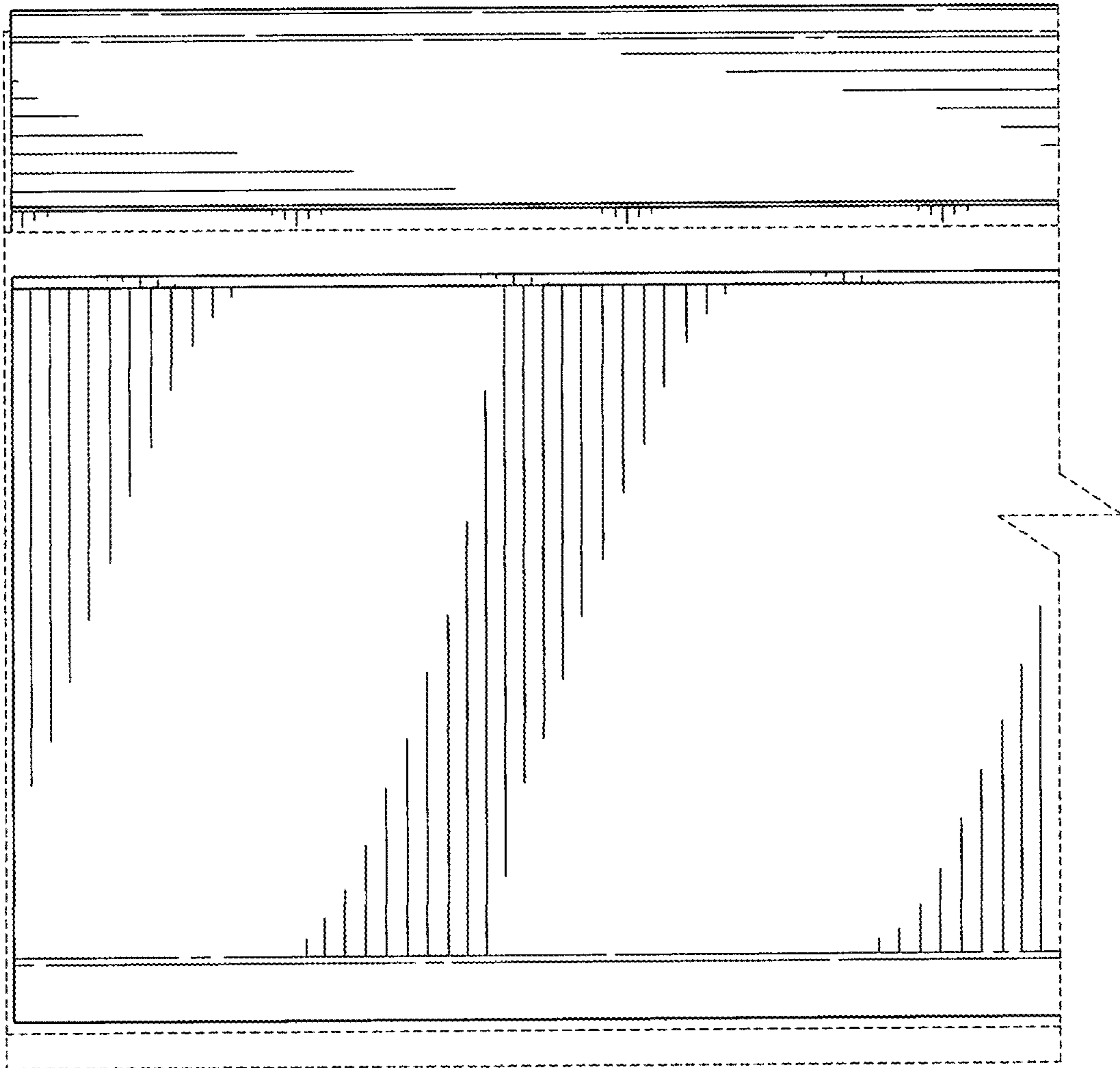


FIG. 5

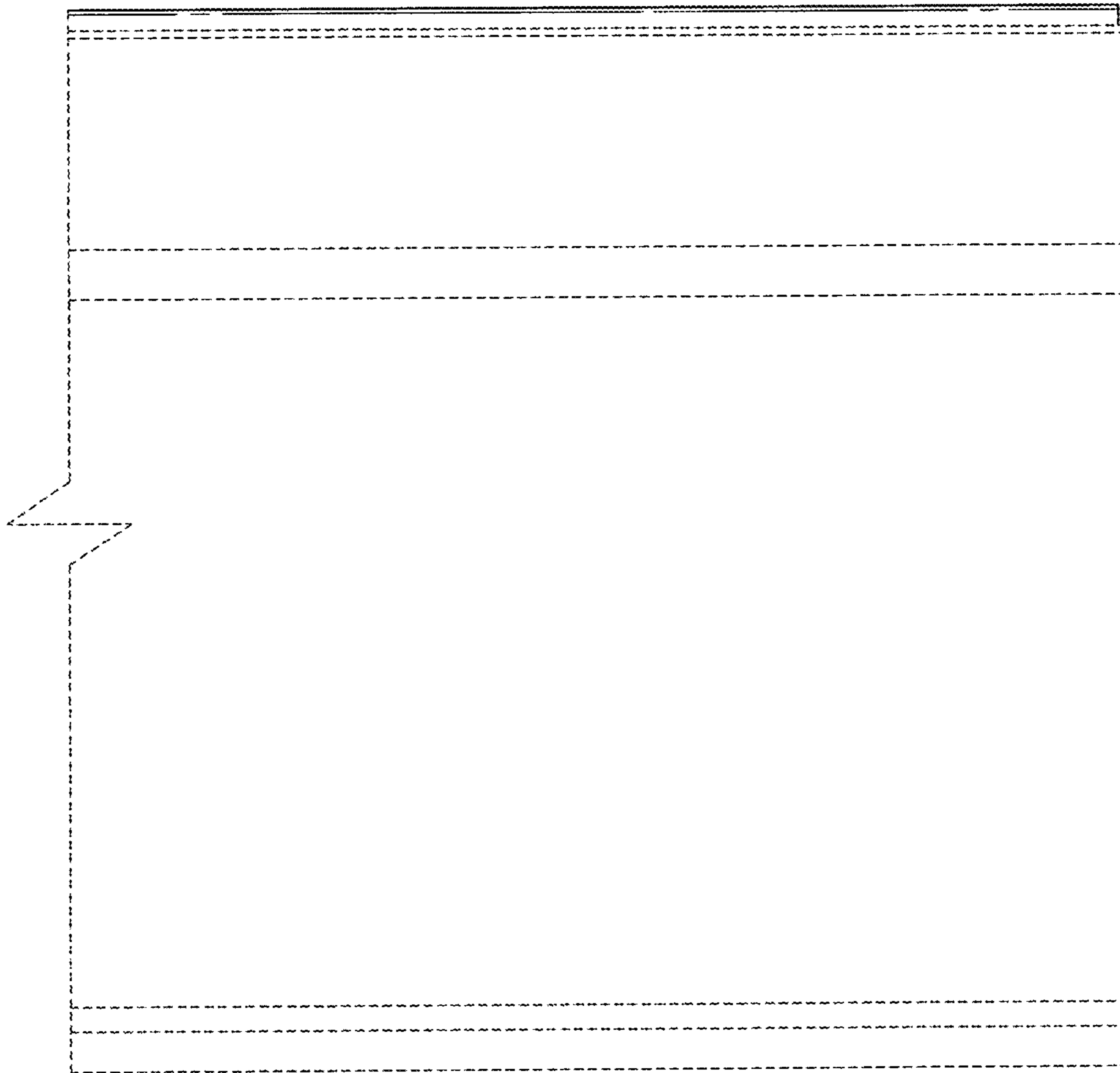


FIG. 6

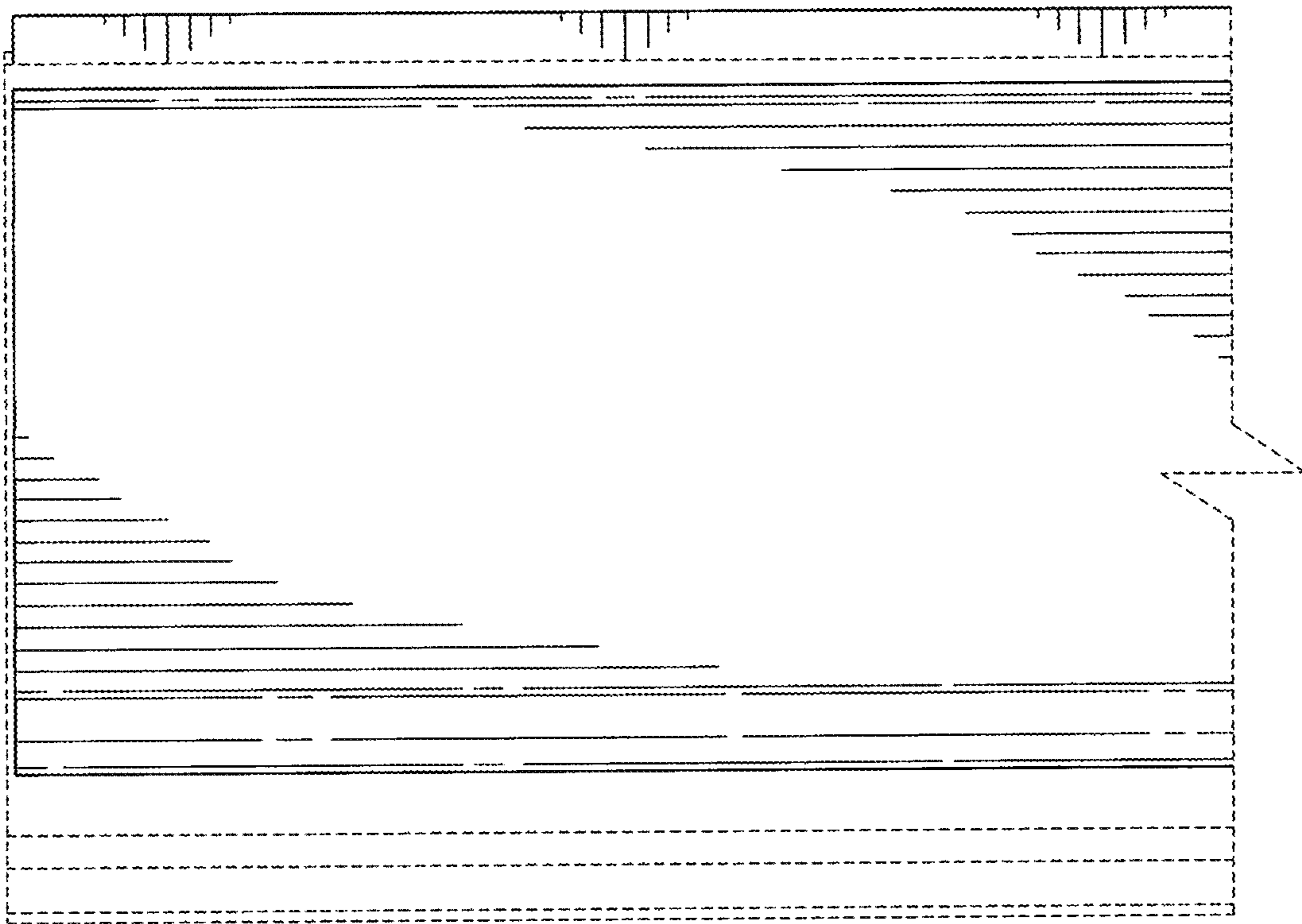


FIG. 7

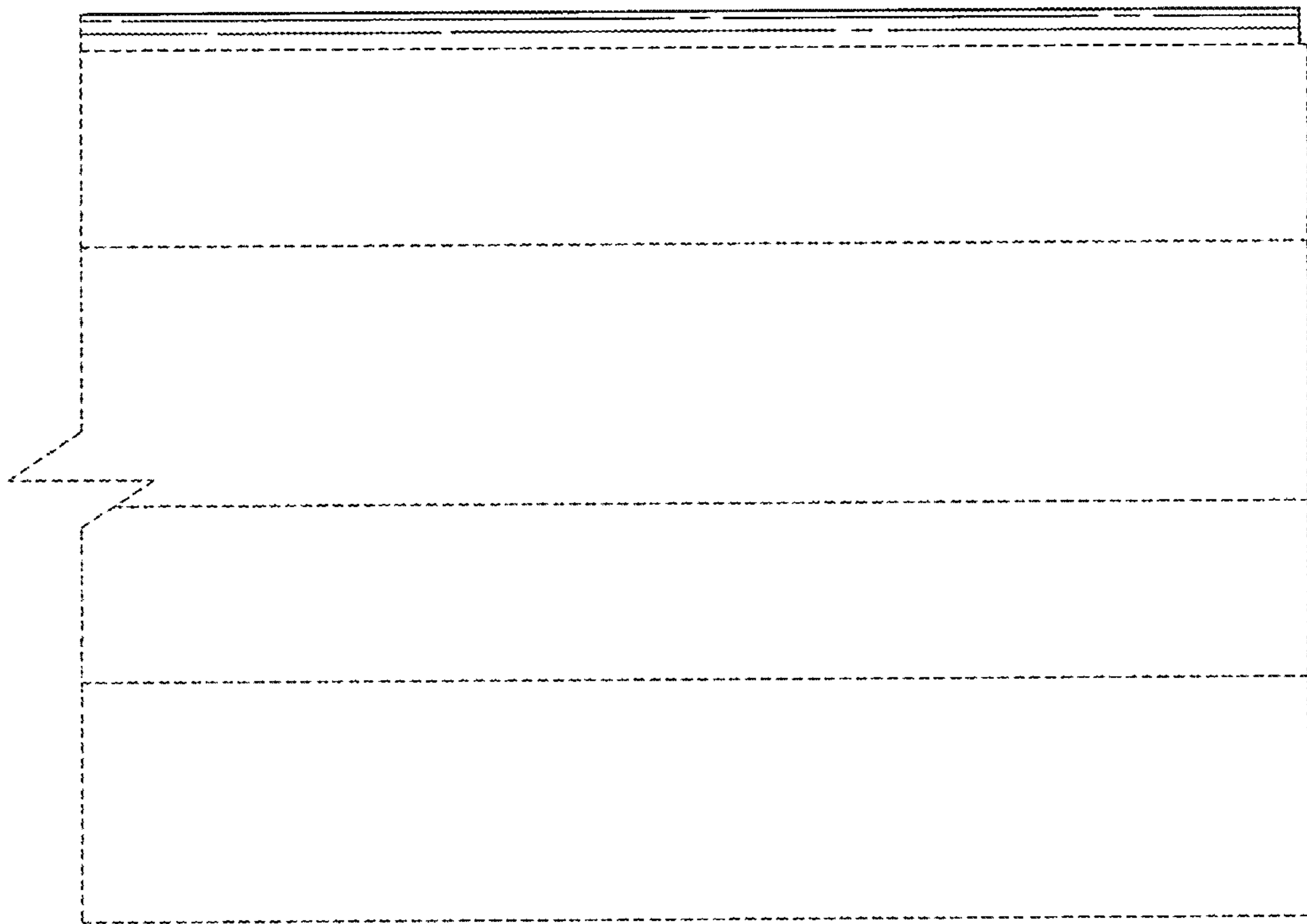


FIG. 8

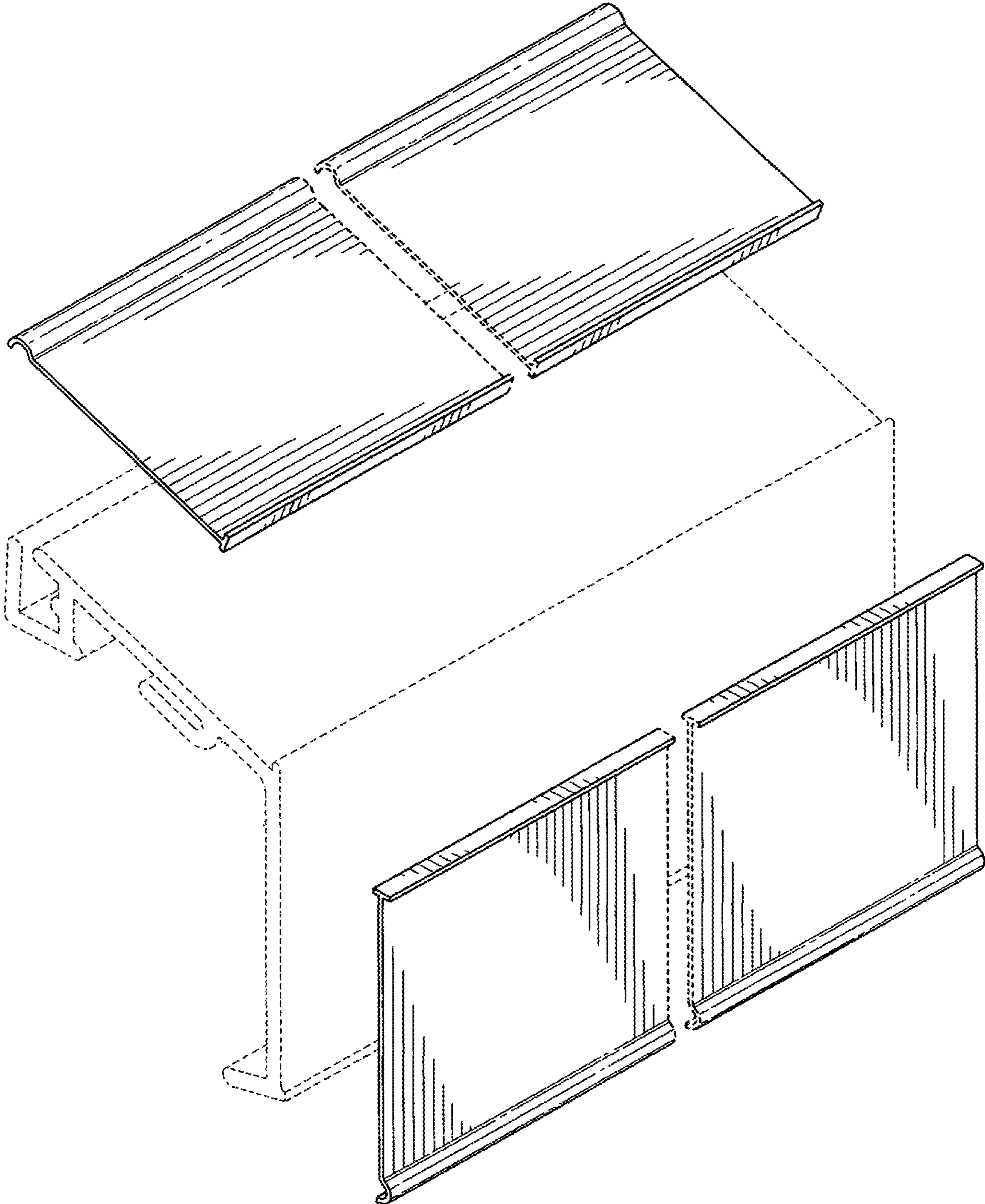


FIG. 9