



US00D927290S

(12) **United States Design Patent**
Zhang

(10) **Patent No.:** **US D927,290 S**

(45) **Date of Patent:** **** Aug. 10, 2021**

(54) **SUPER STRONG BUNGEE HOOK**

(71) Applicant: **Jinhui Zhang**, Zhangjiagang (CN)

(72) Inventor: **Jinhui Zhang**, Zhangjiagang (CN)

(73) Assignee: **Zhangjiagong SMK MFG Co., Ltd.**,
Zhangjiagang (CN)

(**) Term: **15 Years**

(21) Appl. No.: **29/705,065**

(22) Filed: **Sep. 9, 2019**

(51) **LOC (13) Cl.** **08-05**

(52) **U.S. Cl.**
USPC **D8/367**

(58) **Field of Classification Search**
USPC D8/367, 354, 349, 373; D6/323;
248/301-304, 339
CPC A47G 1/00; A47G 25/00
See application file for complete search history.

(56) **References Cited**

U.S. PATENT DOCUMENTS

D801,788 S * 11/2017 Dershem D8/367
D817,748 S * 5/2018 Wang D8/367

D865,494 S * 11/2019 Adelman D8/367
D871,897 S * 1/2020 Wellington D8/367
D873,120 S * 1/2020 Couvion D8/367
D878,910 S * 3/2020 O'Neill D8/367
D885,873 S * 6/2020 Deng D8/367
D893,986 S * 8/2020 Adelman D8/367
2016/0255918 A1 * 9/2016 Grossman F16B 45/02

* cited by examiner

Primary Examiner — Cynthia R Underwood

(57) **CLAIM**

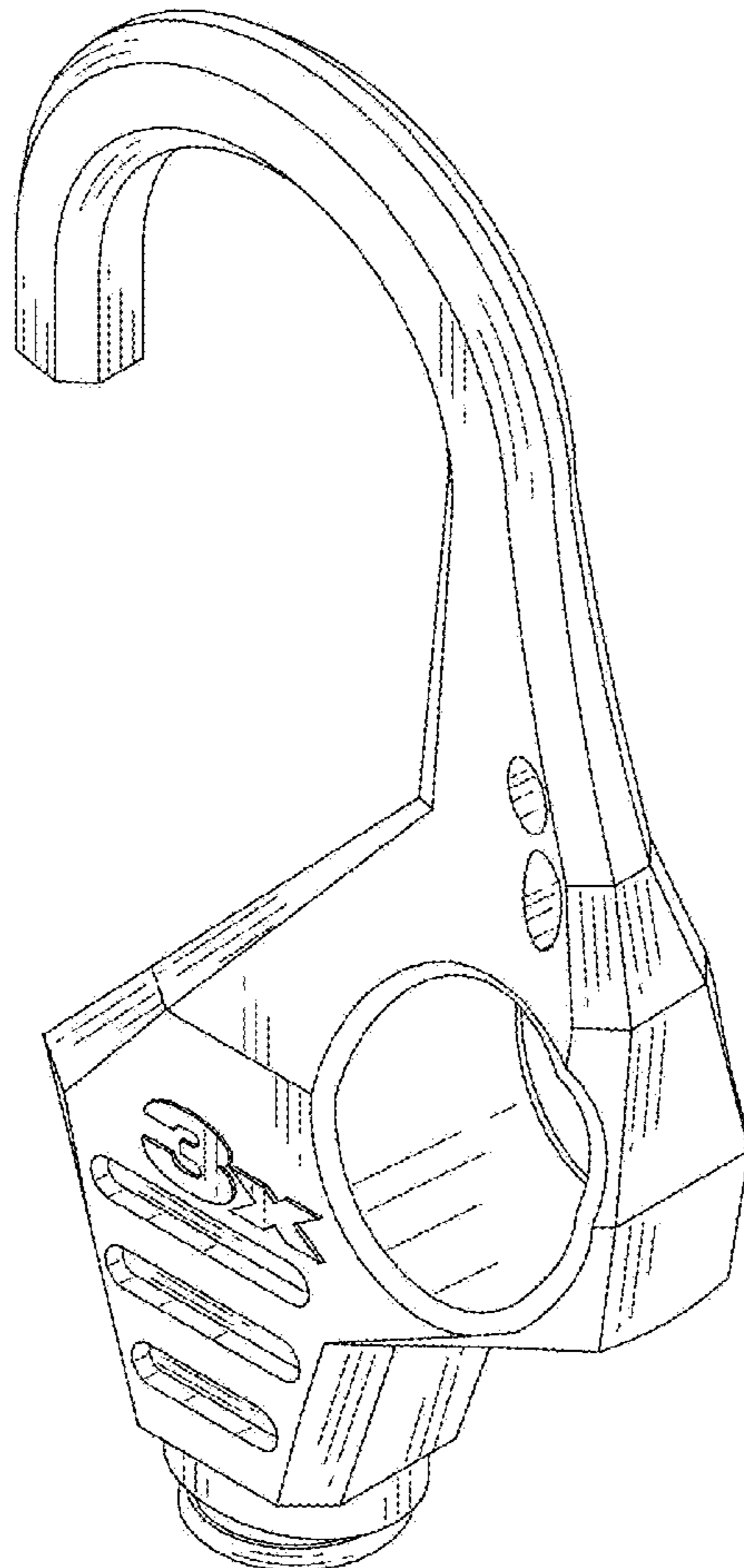
The ornamental design for a super strong bungee hook, as shown and described.

DESCRIPTION

FIG. 1 is a perspective view of a super strong bungee hook showing my new design;
FIG. 2 is a front elevation view thereof;
FIG. 3 is a rear elevation view thereof;
FIG. 4 is a left side elevation view thereof;
FIG. 5 is a right side elevation view thereof;
FIG. 6 is a top plan view thereof; and,
FIG. 7 is a bottom plan view thereof.

The broken lines in the drawings depict portions of the super strong bungee hook and form no part of the claimed design.

1 Claim, 7 Drawing Sheets



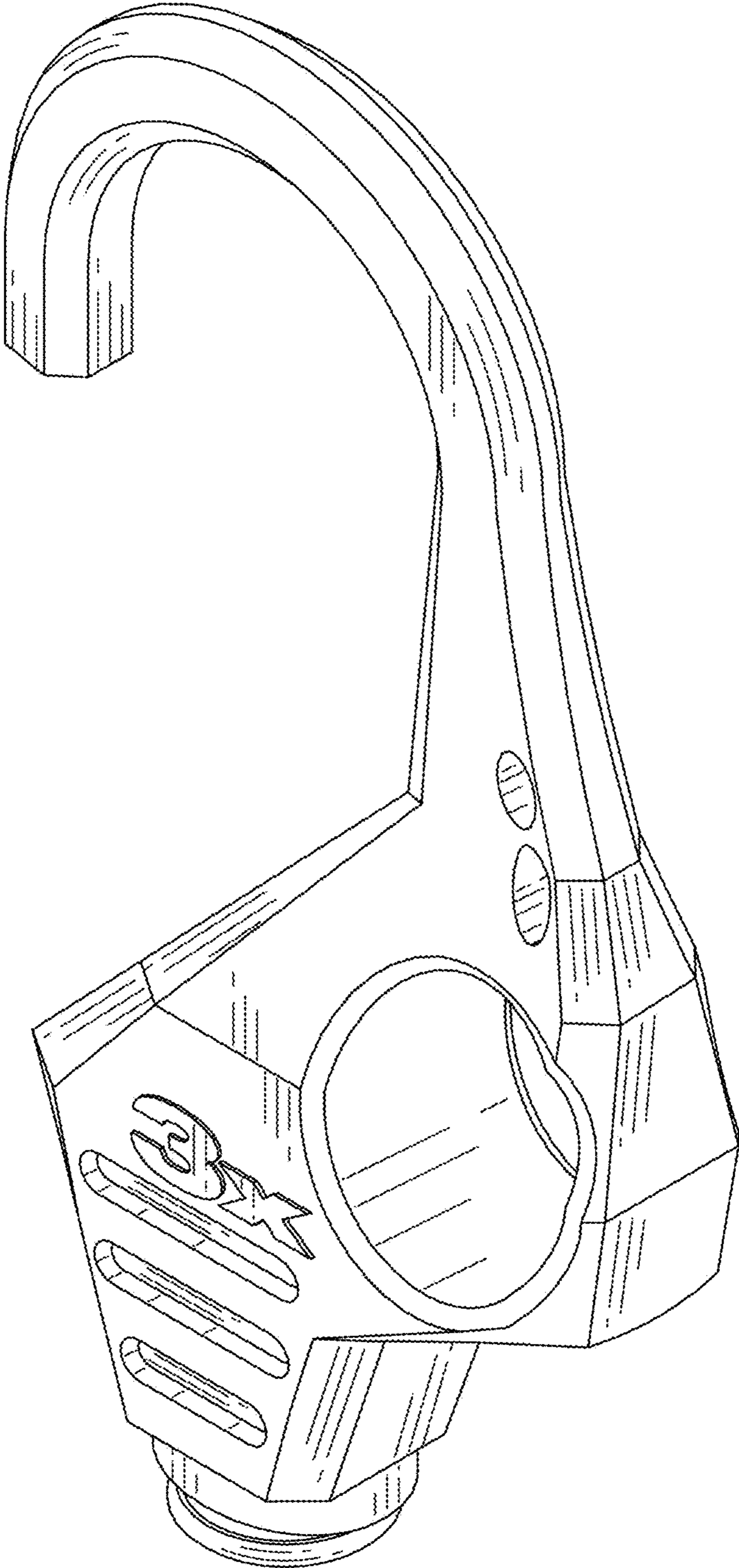


FIG.1

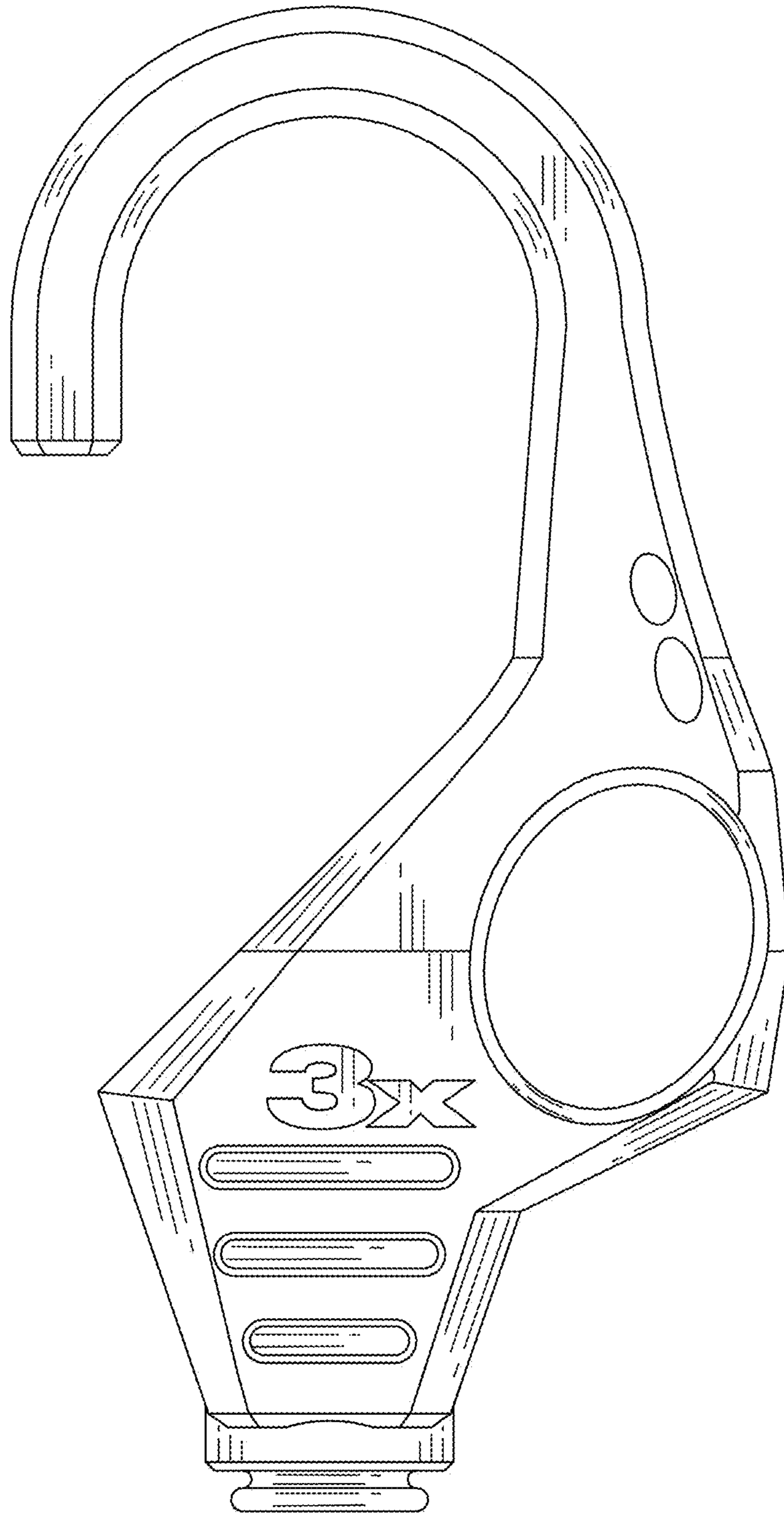


FIG.2

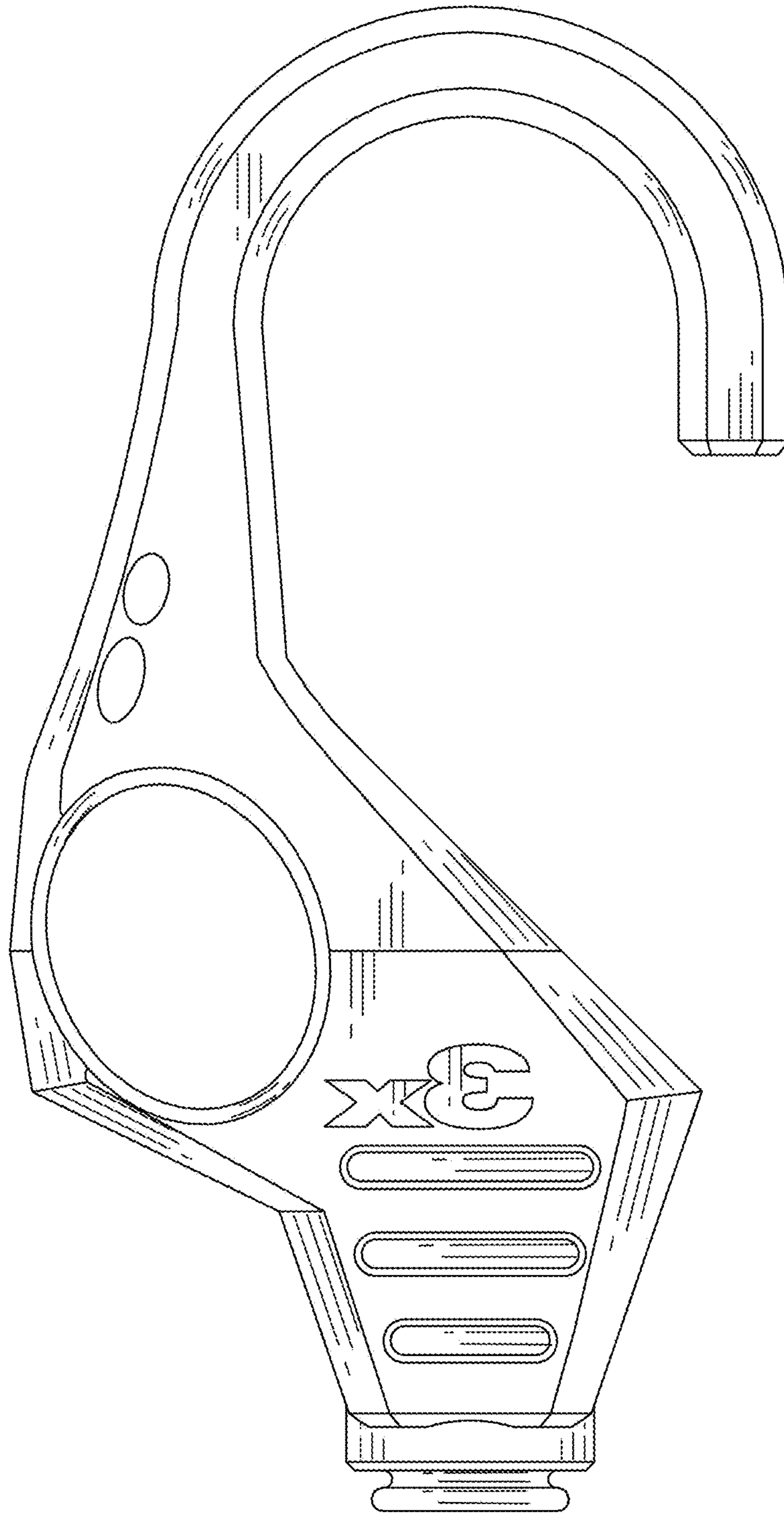


FIG. 3

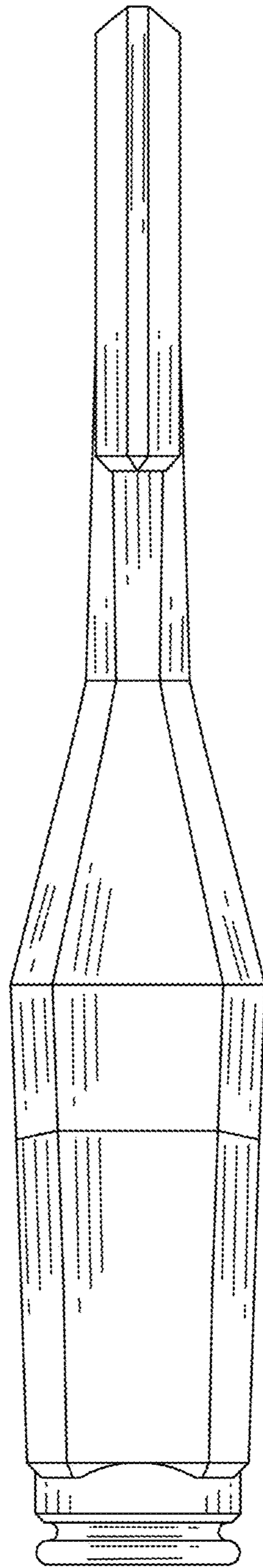


FIG.4

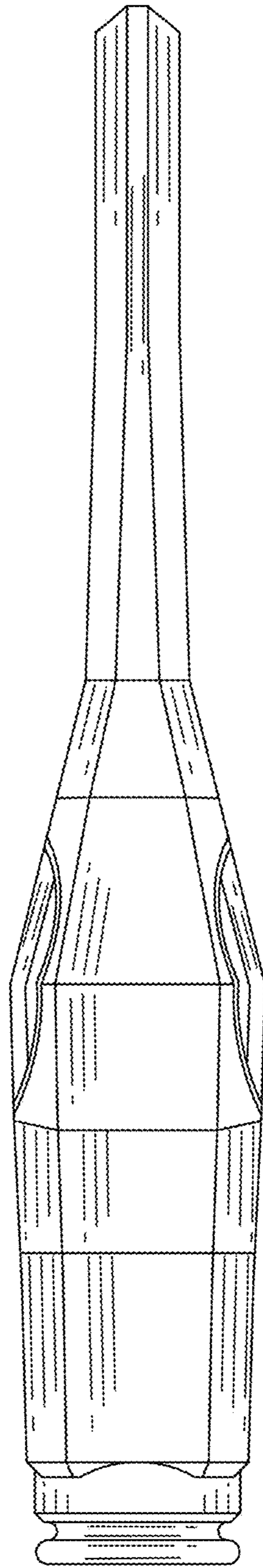


FIG. 5

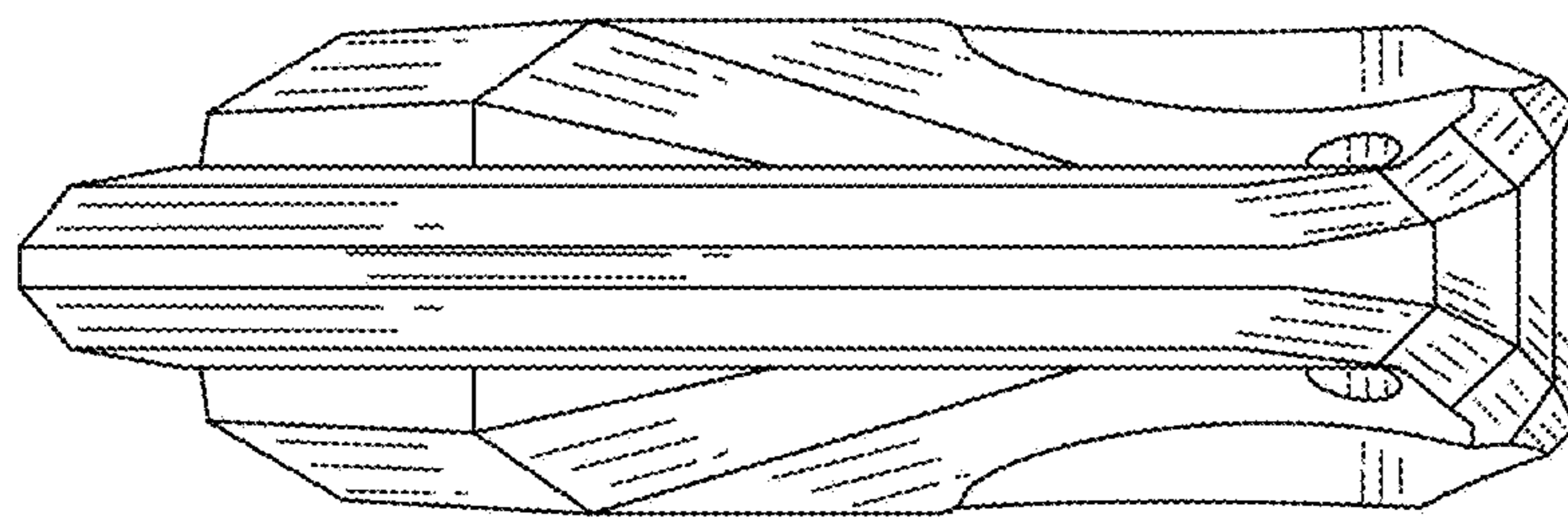


FIG. 6

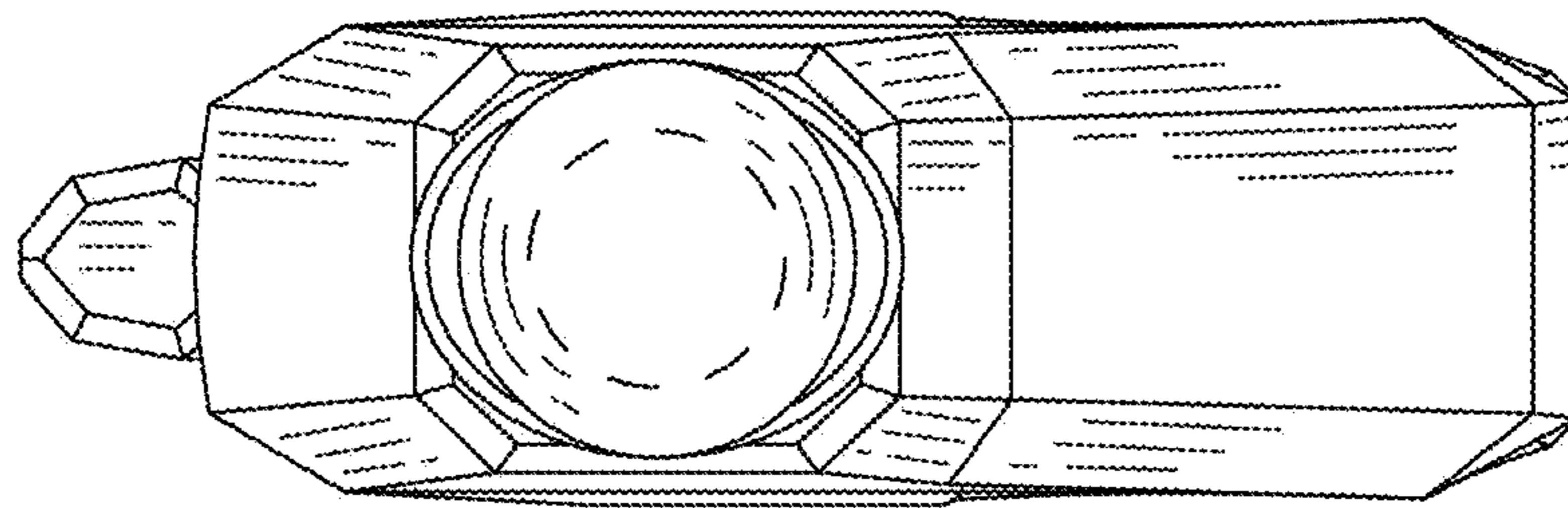


FIG. 7