



US00D927283S

(12) **United States Design Patent**
Jeffries et al.

(10) **Patent No.:** **US D927,283 S**

(45) **Date of Patent:** **** Aug. 10, 2021**

(54) **HANDLE**

(71) Applicant: **Austin Hardware & Supply, Inc.**,
Lee's Summit, MO (US)

(72) Inventors: **Mark Steven Jeffries**, Buford, GA
(US); **Norman Allen Smith**, Buford,
GA (US)

(73) Assignee: **Austin Hardware And Supply, Inc.**,
Lee's Summit, MO (US)

(**) Term: **15 Years**

(21) Appl. No.: **29/647,327**

(22) Filed: **May 11, 2018**

(51) **LOC (13) Cl.** **08-06**

(52) **U.S. Cl.**
USPC **D8/315**

(58) **Field of Classification Search**
USPC D8/315, 316, 317, 318, 319, 320;
D6/549; 15/235.5
CPC B25G 3/00
See application file for complete search history.

(56) **References Cited**

U.S. PATENT DOCUMENTS

| | | | | | |
|------------|---|---------|-----------|-------|--------|
| D551,056 S | * | 9/2007 | Ricereto | | D8/317 |
| D612,677 S | * | 3/2010 | Jeon | | D7/402 |
| D730,148 S | * | 5/2015 | Magnusson | | D8/313 |
| D744,312 S | * | 12/2015 | Waggoner | | D8/316 |
| D854,910 S | * | 7/2019 | Milton | | D8/316 |

| | | | | | |
|------------|---|---------|-------------|-------|--------|
| D855,435 S | * | 8/2019 | Hall | | D8/313 |
| D878,899 S | * | 3/2020 | Czuhajewski | | D8/316 |
| D879,584 S | * | 3/2020 | Bunn | | D8/316 |
| D900,587 S | * | 11/2020 | Clements | | D8/316 |

* cited by examiner

Primary Examiner — Keli L Hill

Assistant Examiner — Harold E Blackwell, II

(74) *Attorney, Agent, or Firm* — Polsinelli PC

(57) **CLAIM**

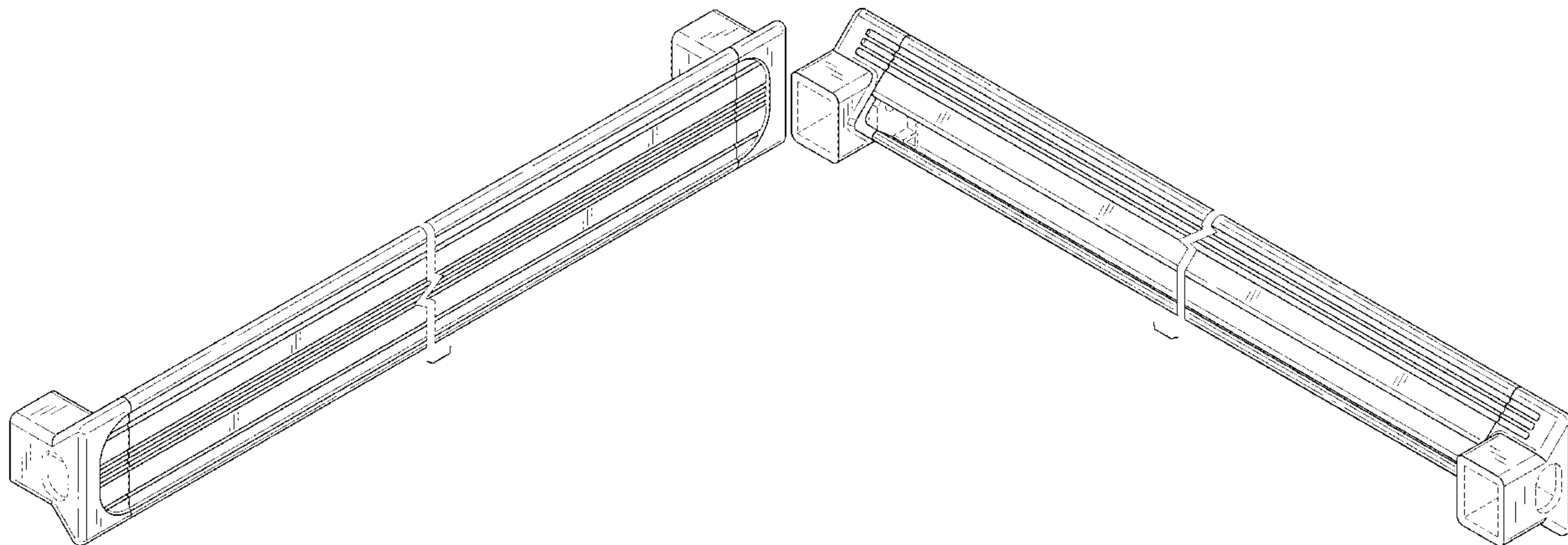
The ornamental design for a handle, as shown and described.

DESCRIPTION

FIG. 1 is a perspective view of the handle;
FIG. 2 is a lower perspective view of the handle;
FIG. 3 is a top view of the handle;
FIG. 4 is a bottom view of the handle;
FIG. 5 is a first end view of the handle;
FIG. 6 is a second end view of the handle;
FIG. 7 is a front view of the handle; and,
FIG. 8 is a rear view of the handle.

The broken lines showing in the figures are included for the purpose of illustrating portions of the handle that form no part of the claimed design. The handle is shown with a symbolic break in its length. The appearance of any portion of the article between the break lines forms no part of the claimed design.

1 Claim, 4 Drawing Sheets



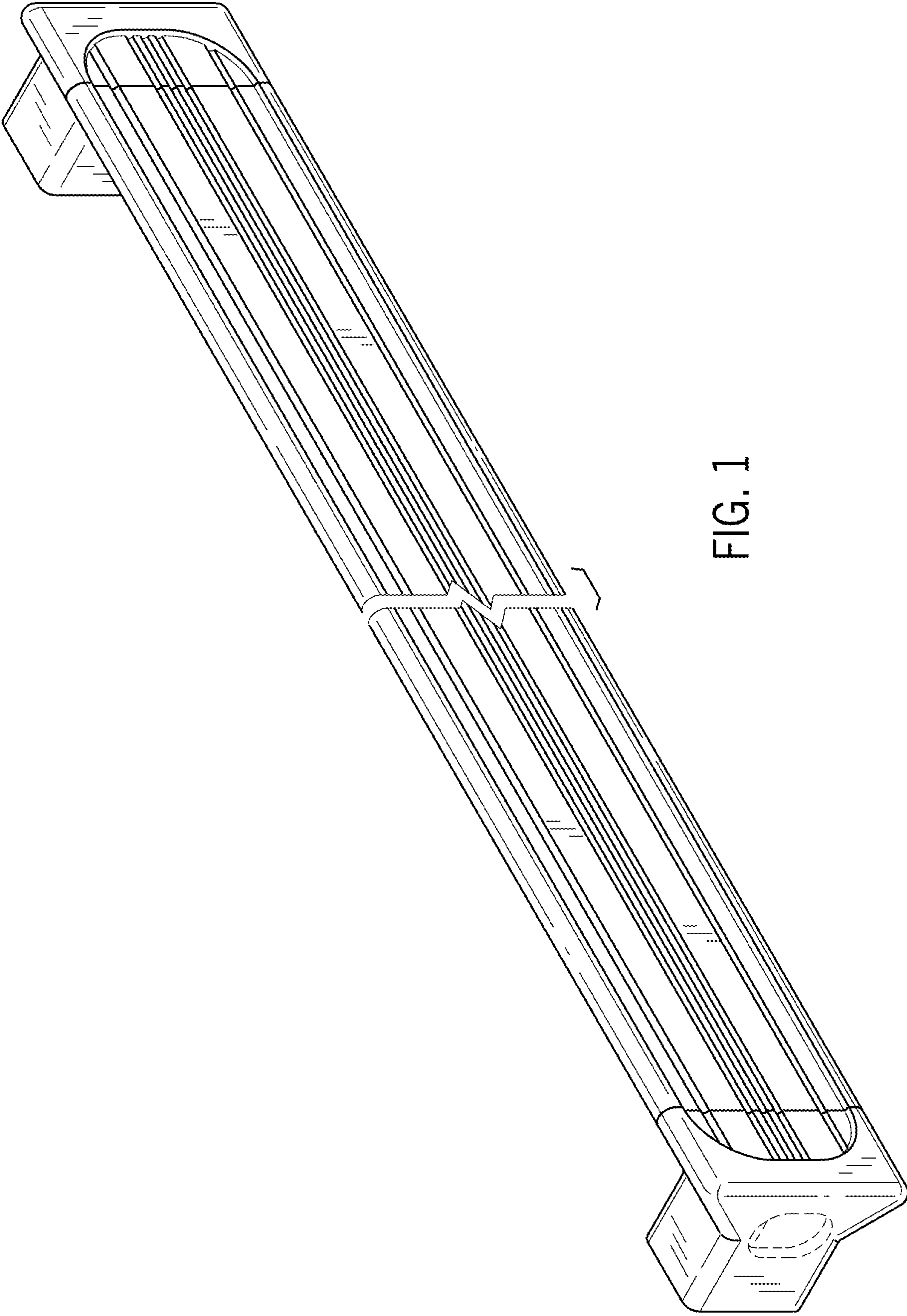


FIG. 1

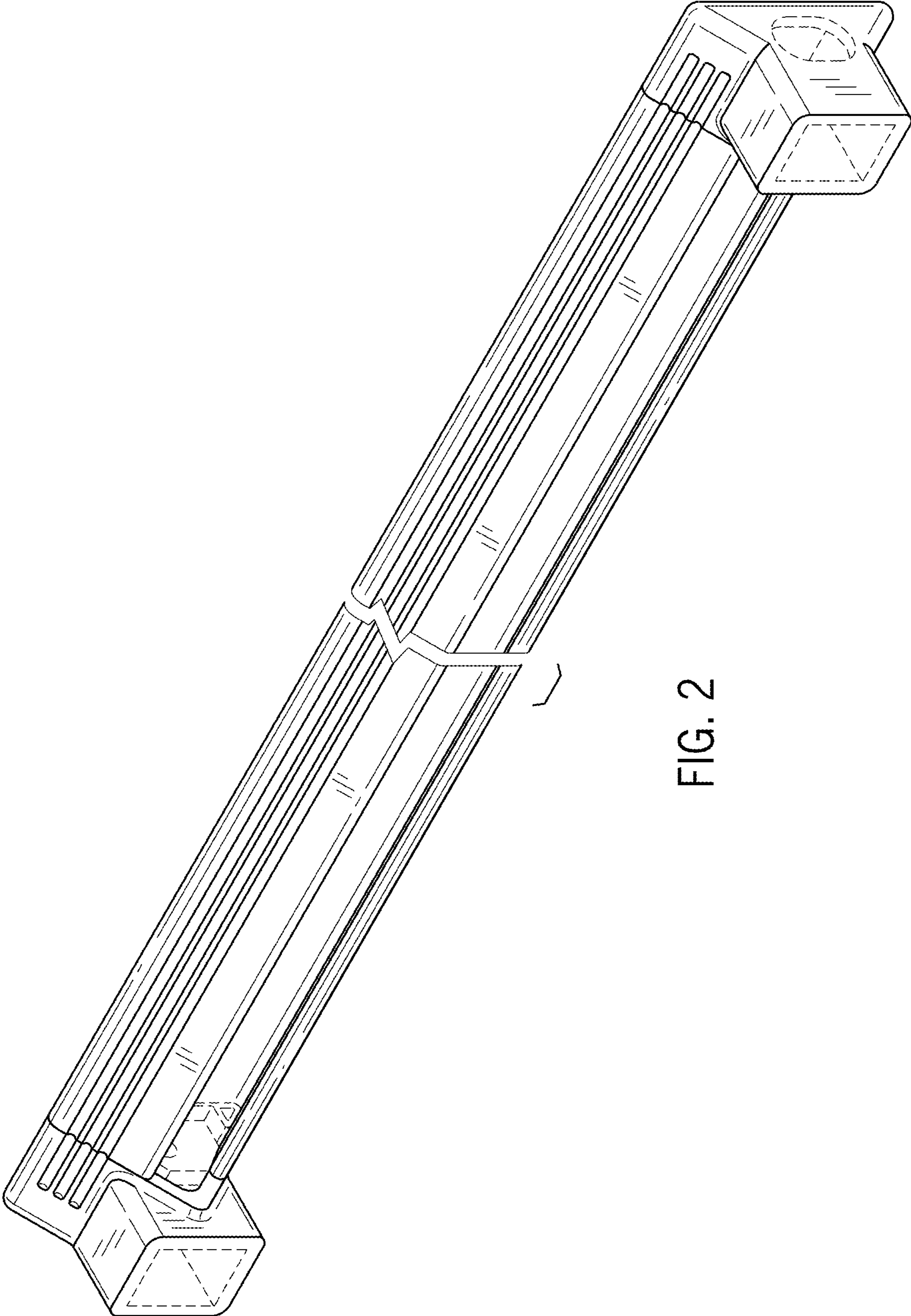


FIG. 2

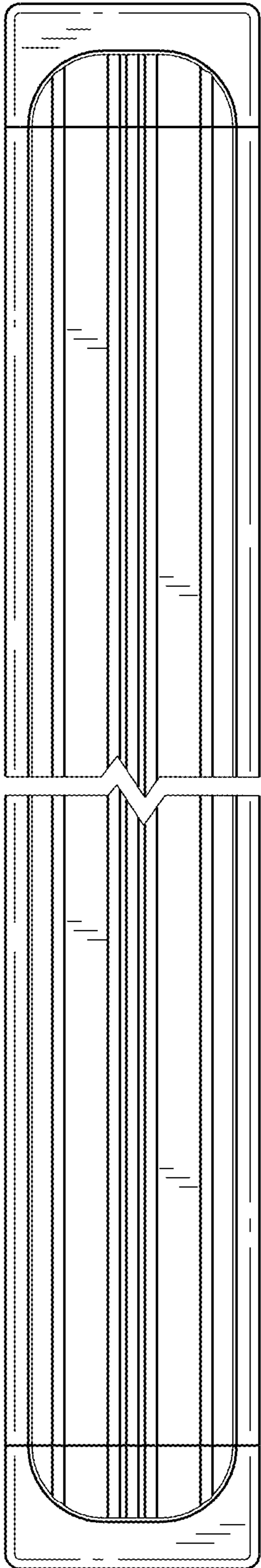


FIG. 3

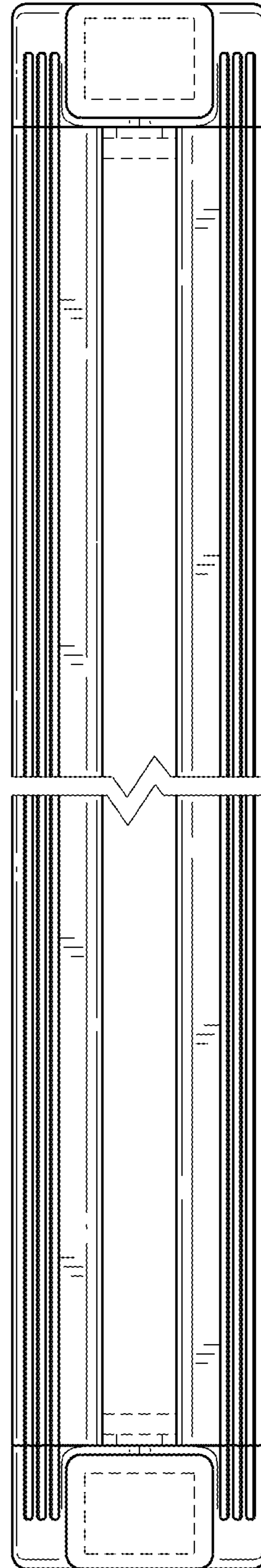


FIG. 4

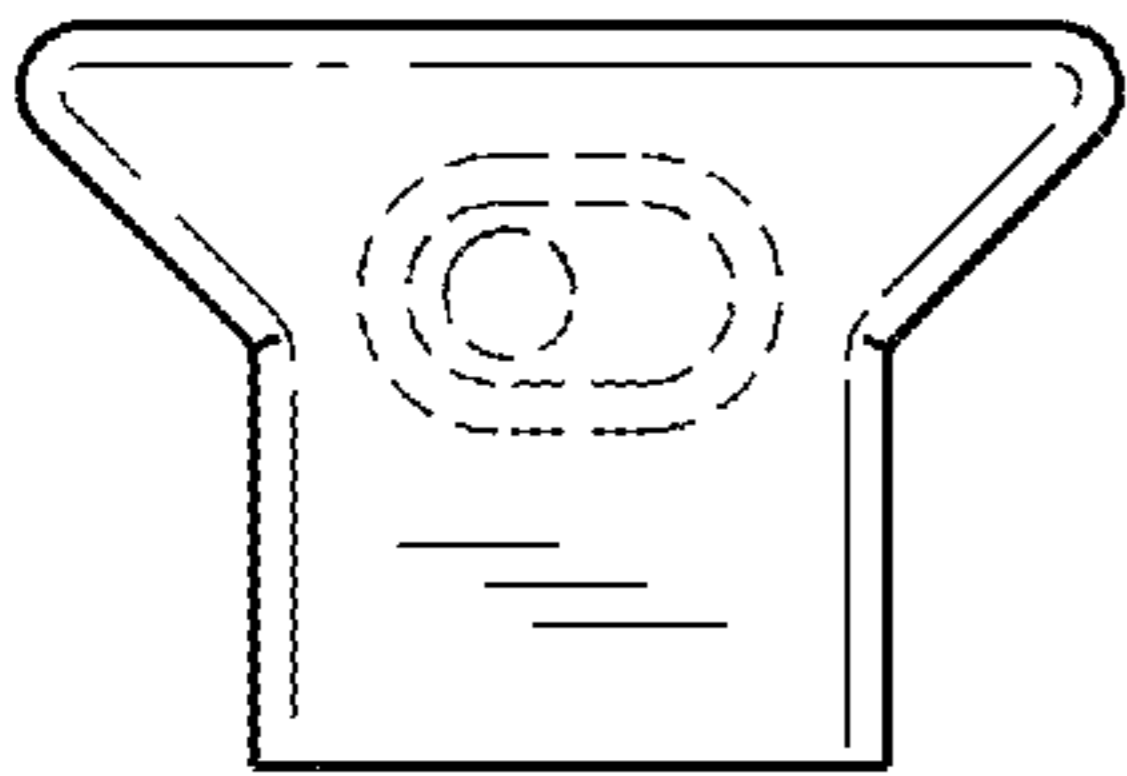


FIG. 5

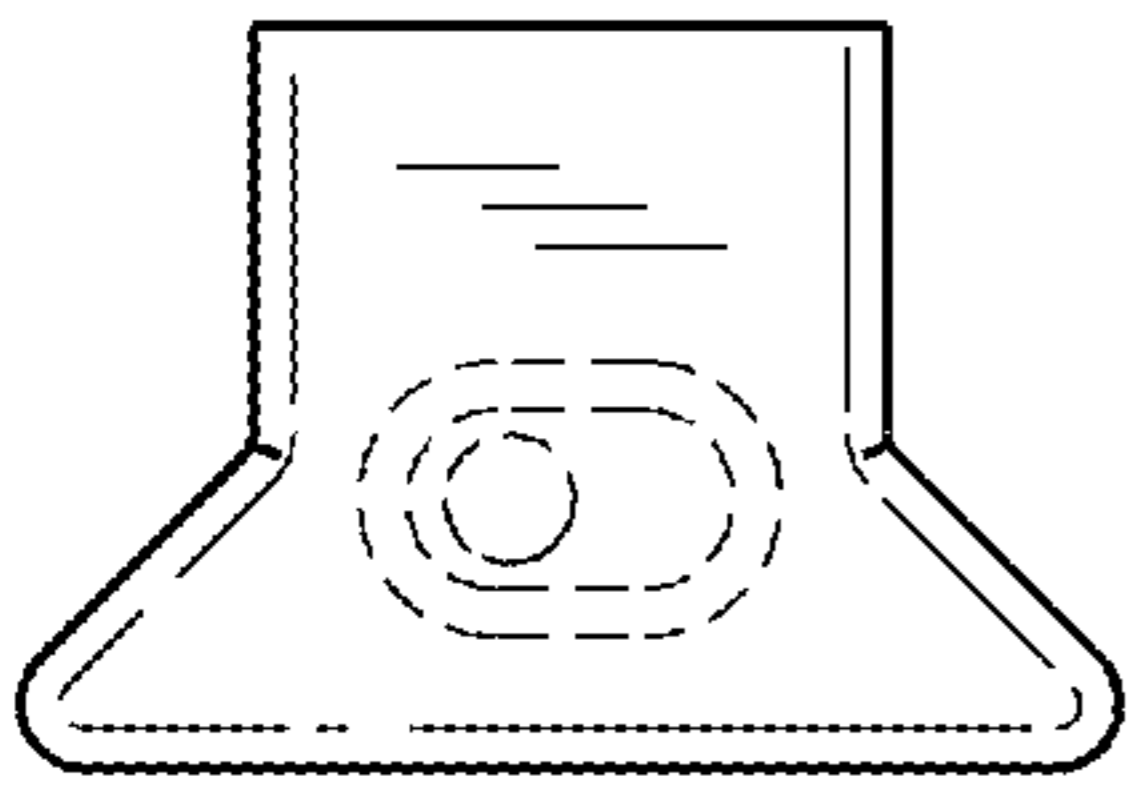


FIG. 6



FIG. 7



FIG. 8