



US00D927282S

(12) **United States Design Patent** (10) **Patent No.:** **US D927,282 S**
Chu et al. (45) **Date of Patent:** **** Aug. 10, 2021**

(54) **DOOR HANDLE**

(71) Applicant: **TONG LUNG METAL INDUSTRY CO., LTD.**, Chiayi County (TW)

(72) Inventors: **Mei-Ching Chu**, Chiayi (TW); **Suh-You Yang**, Chiayi (TW); **Shih-Kai Hsu**, Chiayi (TW)

(73) Assignee: **TONG LUNG METAL INDUSTRY CO., LTD.**, Chiayi County (TW)

(**) Term: **15 Years**

(21) Appl. No.: **29/688,091**

(22) Filed: **Apr. 18, 2019**

(30) **Foreign Application Priority Data**

Nov. 14, 2018 (TW) 107306681

(51) **LOC (13) Cl.** **08-06**

(52) **U.S. Cl.**
USPC **D8/302; D8/301**

(58) **Field of Classification Search**

USPC D8/330-333, 336, 338, 343-346, D8/300-302, 306-329; 292/341, 341.11, 292/340, 342, 343, 344, 345, 346, 180
CPC E05B 69/003; E05B 71/00; E05B 73/005; E05B 17/142; E05B 47/0011; E05B 47/00; E05B 41/00; E05B 47/06; E05B 47/0001; E05B 47/0615; E05B 47/0012; E05B 15/02; E05B 65/466; E05B 65/469; E05B 13/001; E05B 13/007; E05B 13/00; E05B 13/10; E05B 65/44; E05B 65/46; E05B 65/462; E05B 65/463; E05B 65/461; E05B 65/464; E05B 51/00; E05B 35/00; E05B 39/00; E05B 17/14; E05B 2047/0086; B62H 5/001; A47F 3/00; A47F 3/005; A47F

(Continued)

(56) **References Cited**

U.S. PATENT DOCUMENTS

D425,392 S * 5/2000 Lin D8/302
D452,131 S * 12/2001 Rodriguez D8/320

(Continued)

FOREIGN PATENT DOCUMENTS

CN 3283037 * 9/2002
CN 303384269 * 5/2015

(Continued)

OTHER PUBLICATIONS

SCHLAGE Store, Greenwich Single Cylinder Share Handleset, Date first available Jun. 11, 2013, [online]retrieved May 11, 2021, available from https://www.amazon.com/Greenwich-F60-GRW-716-BRW/dp/B00DEZMYHA/ref=pd_di_sccai_80?pd_rd_w=3tCWF&pf_rd_p=c9443270-b914-4430 (Year: 2013).*

(Continued)

Primary Examiner — Keli L Hill
Assistant Examiner — Sara S Sahneh

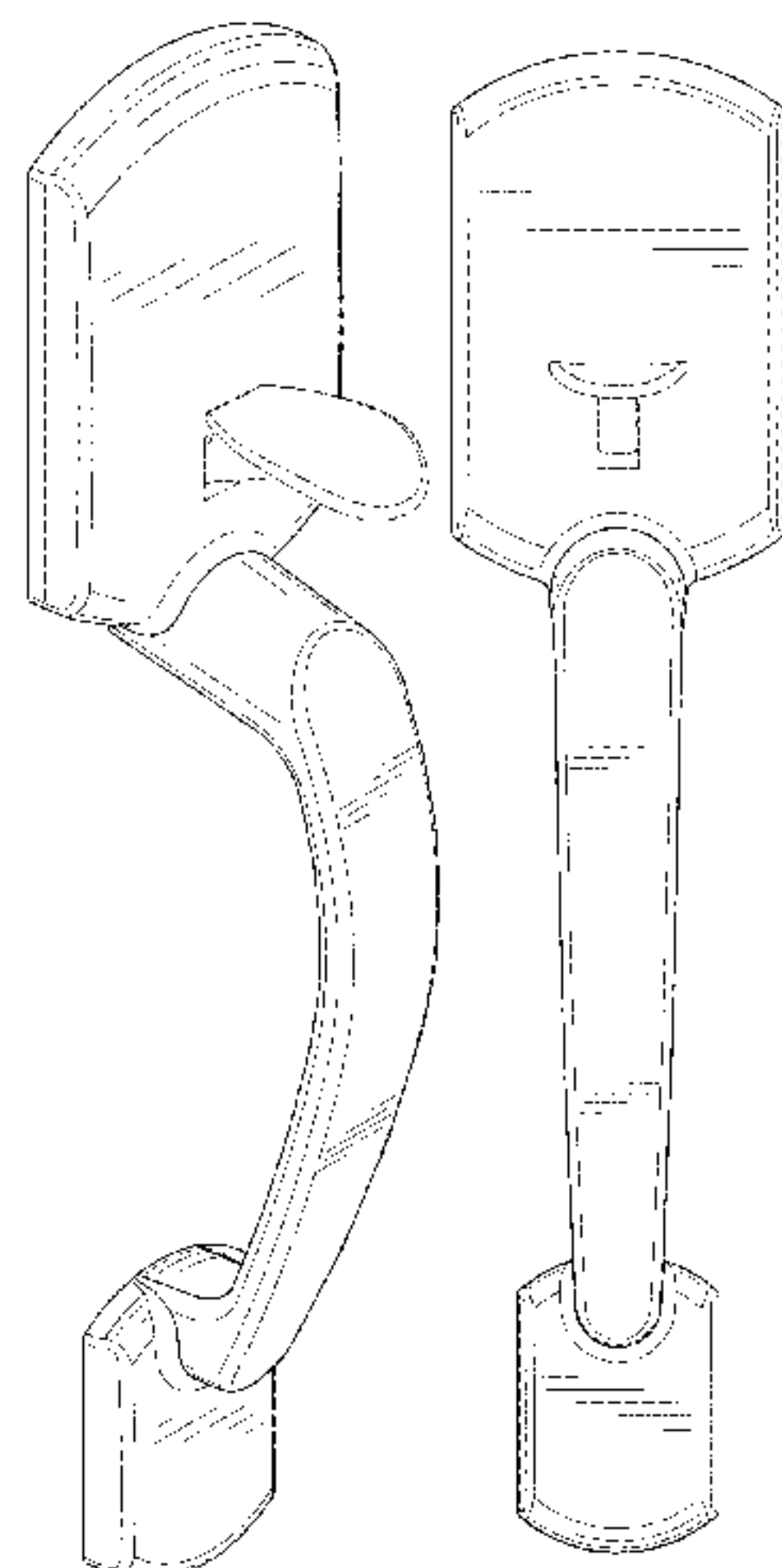
(57) **CLAIM**

The ornamental design for a door handle, as shown and described.

DESCRIPTION

FIG. 1 is a perspective view of a door handle showing my new design;
FIG. 2 is a front elevational view thereof;
FIG. 3 is a left side elevational view thereof;
FIG. 4 is a right side elevational view thereof;
FIG. 5 is a top plan view thereof; and,
FIG. 6 is a bottom plan view thereof.
The rear elevational view is not part of the claimed design and is not shown.

(Continued)



The broken lines depict portions of a door handle in which the design is embodied that represent unclaimed subject matter and form no part of the claimed design.

1 Claim, 4 Drawing Sheets

(58) **Field of Classification Search**

CPC 3/007; A47F 7/024; G07C 9/00563; Y10T 70/5155; Y10T 70/5199

See application file for complete search history.

(56)

References Cited

U.S. PATENT DOCUMENTS

D471,423	S	*	3/2003	Ellis	D8/301
D571,183	S	*	6/2008	Roberts, III	D6/350
D697,385	S	*	1/2014	Roberts, III	D8/301
D739,203	S	*	9/2015	Schneider	D8/302
D747,172	S	*	1/2016	Gao	D8/320
D787,911	S	*	5/2017	Hsu	D8/302
D806,501	S	*	1/2018	Chiang	D8/301
D806,503	S	*	1/2018	Schneider	D8/302
D810,542	S	*	2/2018	Hsu	D8/302
2010/0201137	A1	*	8/2010	Wartel	E05B 13/005 292/336.3
2019/0048616	A1	*	2/2019	Morse	E05B 85/14

FOREIGN PATENT DOCUMENTS

GB	2062916	*	2/1997
PH	3-2011-452-0001	*	6/2011
WO	D055703-010	*	3/2001
WO	D055703-012	*	3/2001

OTHER PUBLICATIONS

Kwikset Store, Avalon Exterior Handle, Date first available Dec. 6, 2017,[online]retrieved May 11, 2021,available from https://www.amazon.com/Kwikset-98150-001-Exterior-Right-Handed-Left-Handed/dp/B077YDZ5WR/ref=sr_1_24?_encoding=UTF8&c=ts&dchild=1&keywords=Door+Handle+Sets&qid=1597931853&s=hardware&s (Year: 2017).*

Yale Security Store,Ridgefield Cambridge Interior Knob,Date first available Oct. 19, 2019,[online]retrieved May 11, 2021,available from https://www.amazon.com/dp/B07RZ2G3HP/ref=sbl_dp_x_B082MSCNQ8_0 (Year: 2019).*

Home improvement direct, Exterior Handleset,Date first available Apr. 10, 2019,[online]retrieved May 11, 2021 ,available from https://www.amazon.com/dp/B07QDXQRFD/ref=sbl_dp_x_B00115R2O0_0 (Year: 2019).*

* cited by examiner

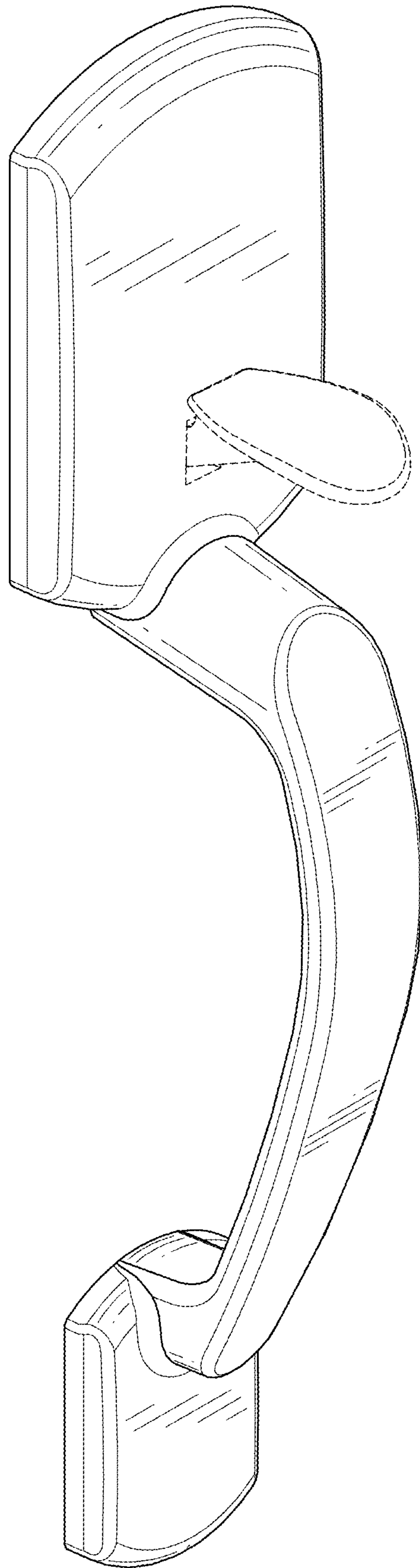


FIG. 1

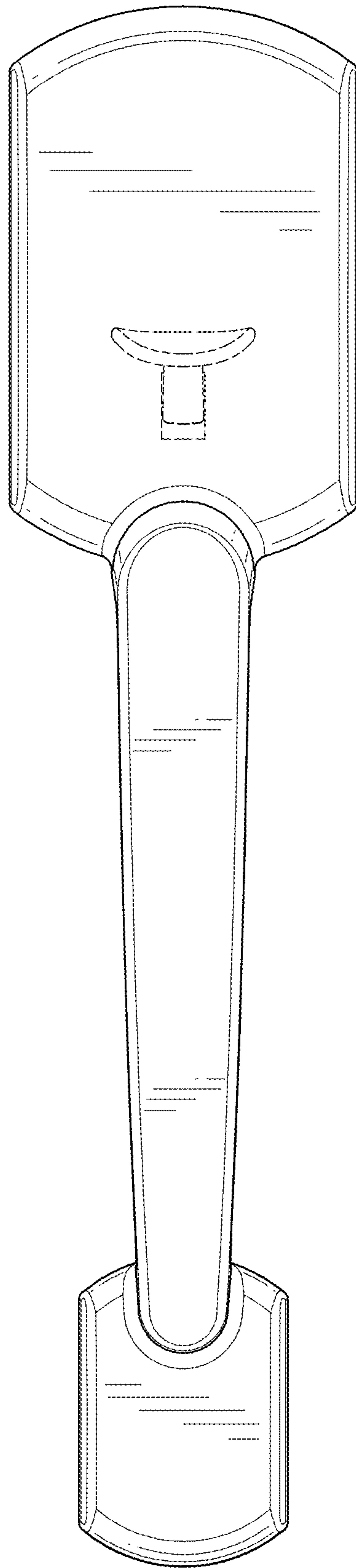


FIG.2

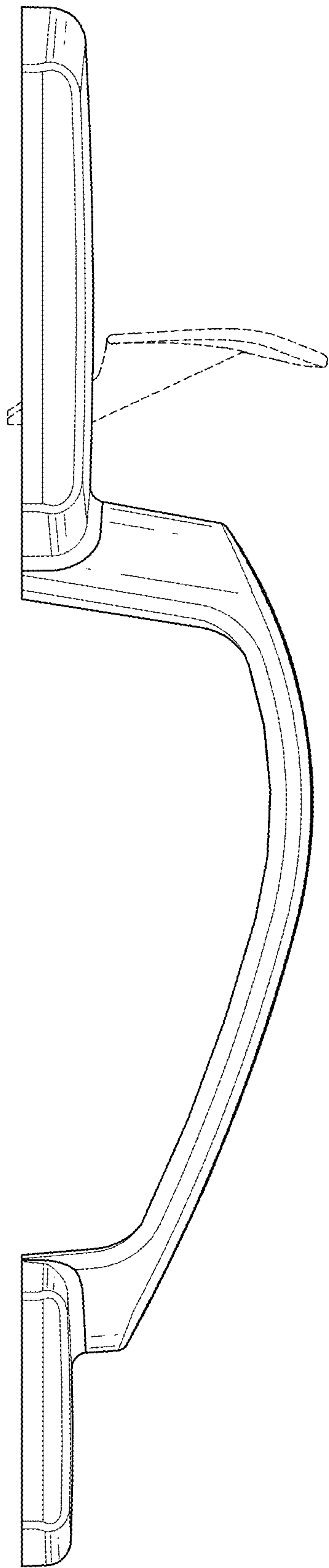


FIG.3

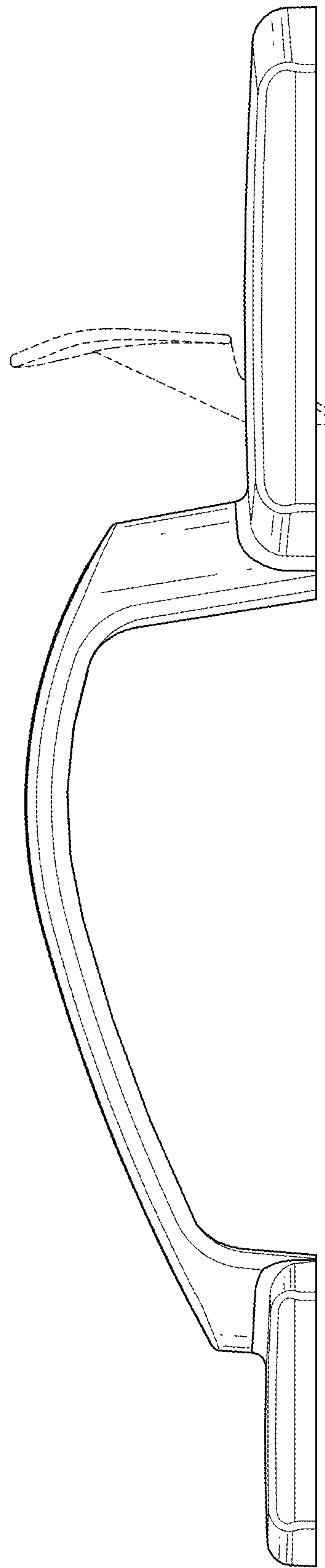


FIG.4

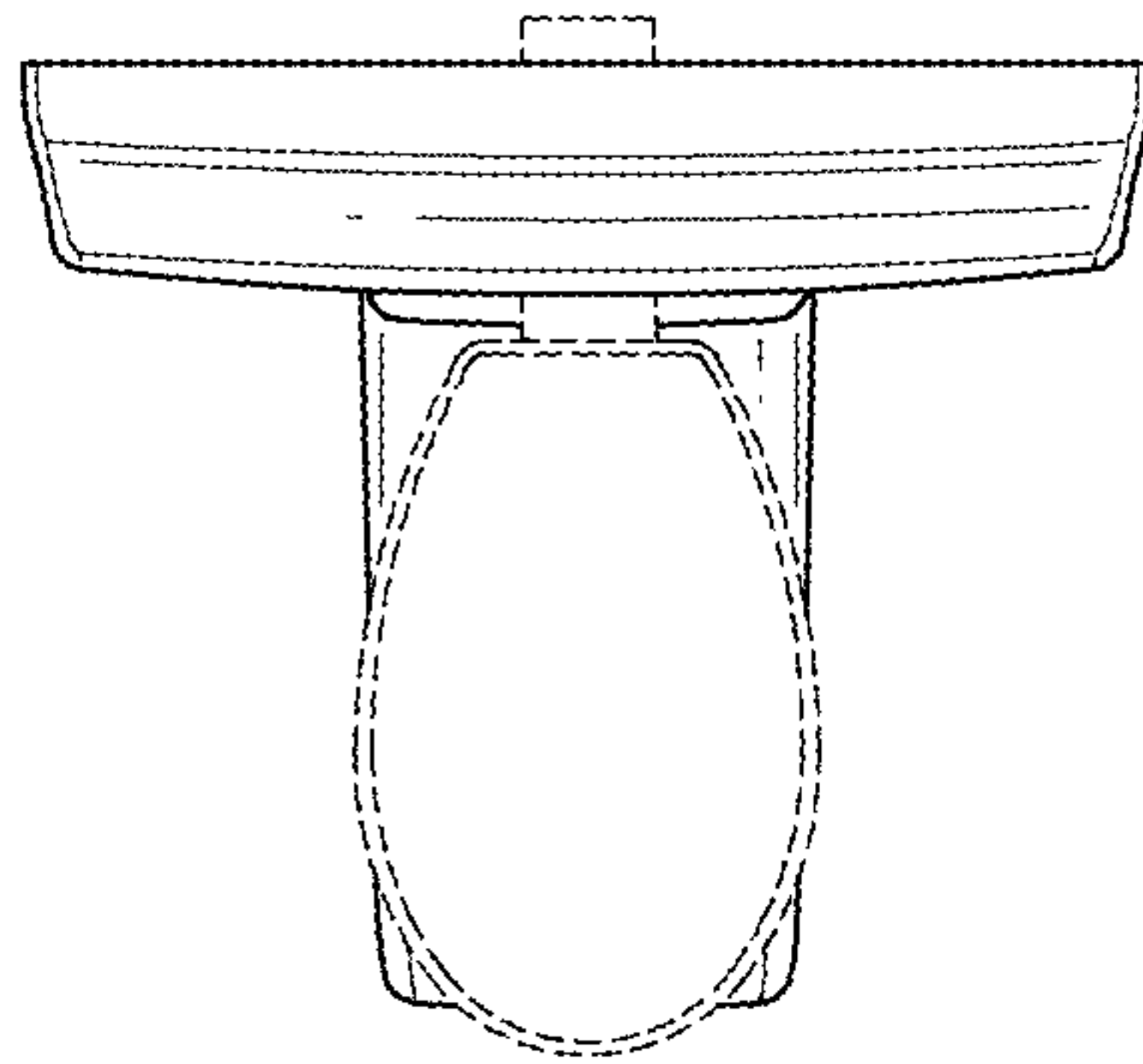


FIG. 5

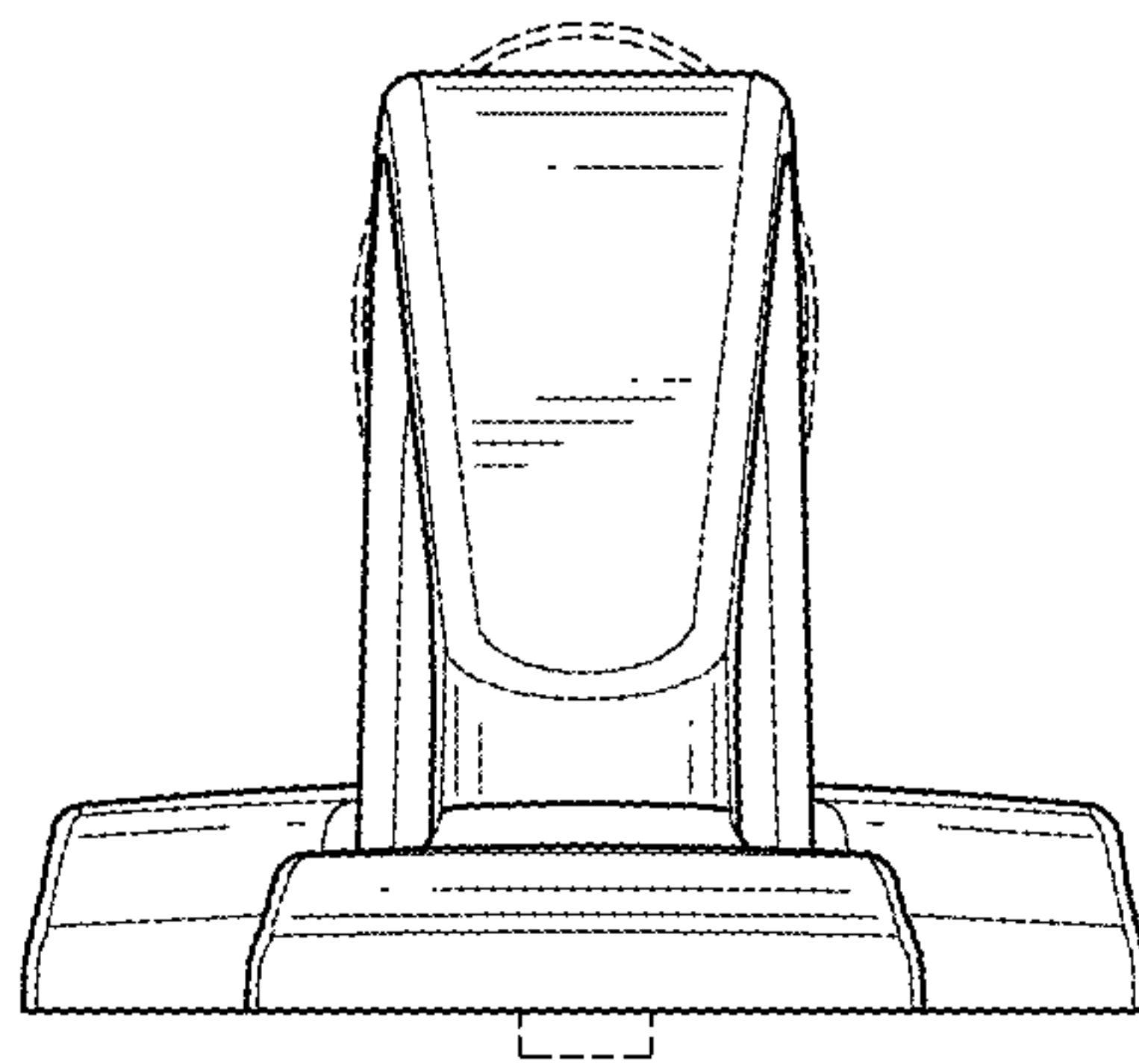


FIG. 6