



US00D927281S

(12) **United States Design Patent** (10) **Patent No.:** **US D927,281 S**
Hamlin (45) **Date of Patent:** **** Aug. 10, 2021**

(54) **TWIST, TURN, AND PRY DEVICE**
(71) Applicant: **Marjorie Wood Hamlin**, Bend, OR
(US)
(72) Inventor: **Marjorie Wood Hamlin**, Bend, OR
(US)
(**) Term: **15 Years**

D478,796 S * 8/2003 Hile D8/33
D482,583 S * 11/2003 Hawley D8/33
D496,242 S * 9/2004 Harrison-Griffin D8/40
(Continued)

Primary Examiner — Janice Hallmark

(57) **CLAIM**

The ornamental design for a twist, turn, and pry device, as shown and described herein.

DESCRIPTION

(21) Appl. No.: **29/751,300**
(22) Filed: **Sep. 21, 2020**
(51) **LOC (13) Cl.** **08-05**
(52) **U.S. Cl.**
USPC **D8/105**
(58) **Field of Classification Search**
USPC D8/105, 16, 18, 19, 33, 34, 40, 43
CPC B67B 7/18; B67B 7/14; B67B 7/16; B67B
7/44
See application file for complete search history.

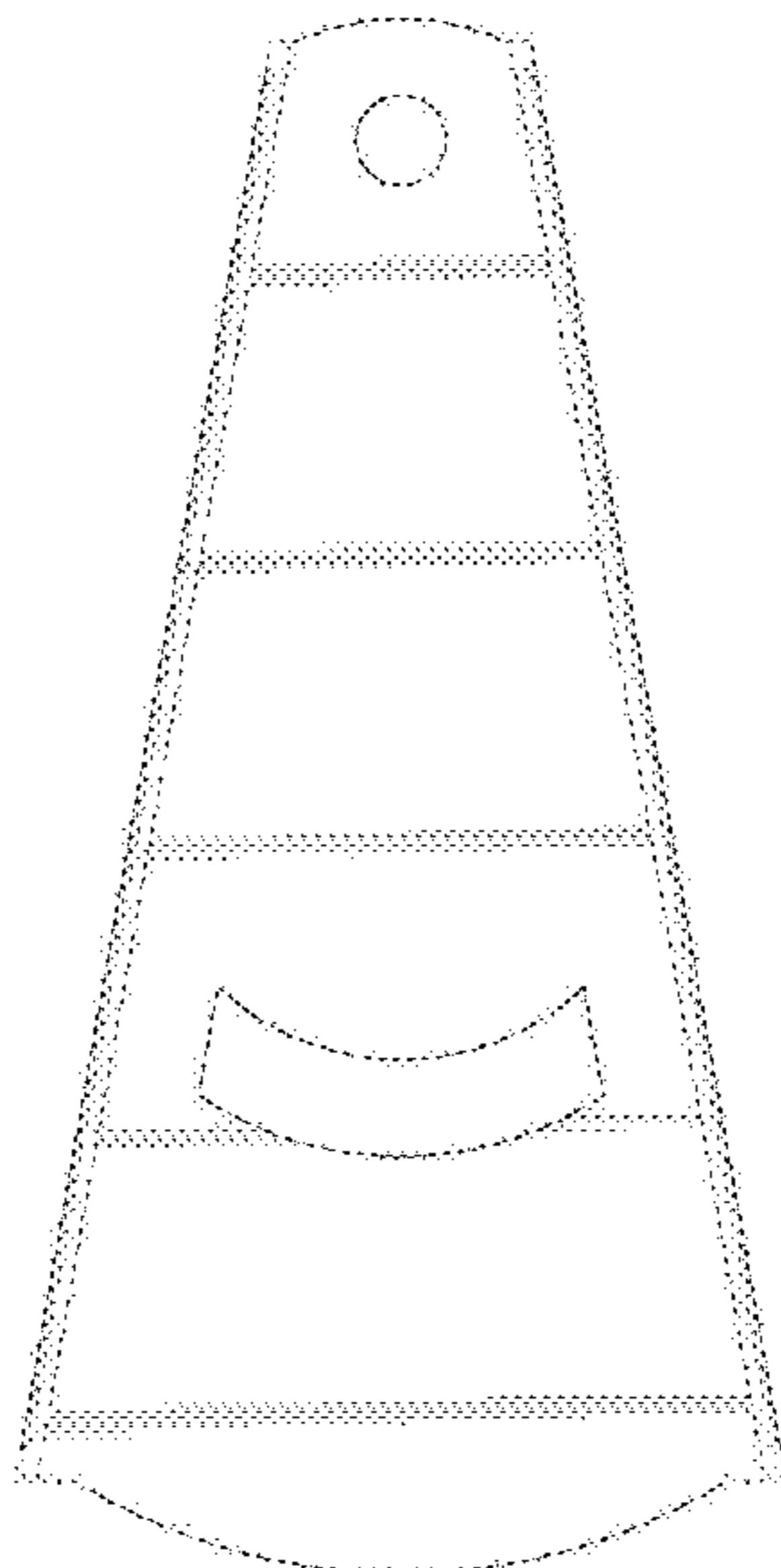
FIG. 1 is a front elevation view of a twist, turn, and pry device;
FIG. 2 is a right side elevation view thereof;
FIG. 3 is a left side elevation view thereof;
FIG. 4 is a rear elevation view thereof;
FIG. 5 is a top plan view thereof, shown in larger scale;
FIG. 6 is a bottom plan view thereof, shown in the same larger scale as FIG. 5;
FIG. 7 is a bottom rear perspective view thereof;
FIG. 8 is a top rear perspective view thereof;
FIG. 9 is a cross sectional view through cut line 9-9 of FIG. 4;
FIG. 10 is an enlarged detail view of the encircled portion "10" of FIG. 4;
FIG. 11 is an enlarged detail view of the encircled portion "11" of FIG. 4;
FIG. 12 is an enlarged detail view of the encircled portion "12" of FIG. 4;
FIG. 13 is an enlarged detail view of the encircled portion "13" of FIG. 8; and,
FIG. 14 is an enlarged detail cross sectional view "14" of the encircled portion of FIG. 9.
The dash-dash and dotted lines in the drawings illustrate portions of the twist, turn, and pry device that form no part of the claimed design.
The circular long dash-short dash lines in FIGS. 4, 8, and 9 depict the limits of the enlarged views of the twist, turn, and pry device, and form no part of the claimed design.

(56) **References Cited**

U.S. PATENT DOCUMENTS

1,707,804 A * 4/1929 Haase B67B 7/18
81/3.4
1,841,270 A * 1/1932 Aeschbach B67B 7/18
81/3.25
D257,318 S * 10/1980 Zorzi D8/18
D258,192 S * 2/1981 Maloney D8/18
D296,293 S * 6/1988 Wheeler D8/43
D302,232 S * 7/1989 Hoffman D8/18
D333,958 S * 3/1993 Demers D8/40
D382,783 S * 8/1997 Martin D8/18
5,664,466 A * 9/1997 Miller B67B 7/18
81/3.25
D395,810 S * 7/1998 Davis D8/33
5,943,920 A * 8/1999 McGivern B25B 9/00
81/3.55
D436,301 S * 1/2001 Savio D8/18
6,516,687 B1 * 2/2003 Hile B67B 7/18
269/289 R

1 Claim, 6 Drawing Sheets



(56)

References Cited

U.S. PATENT DOCUMENTS

D512,288 S * 12/2005 Webb D8/40
9,630,824 B1 * 4/2017 Roth B67B 7/18
D831,453 S * 10/2018 Yevchak D8/40
10,544,025 B1 * 1/2020 Roth B67B 7/18
2004/0216561 A1 * 11/2004 Bitonto B67B 7/18
81/3.4
2014/0318322 A1 * 10/2014 Thrasher B67B 7/18
81/3.25
2016/0304330 A1 * 10/2016 Cardinal B67B 7/14

* cited by examiner

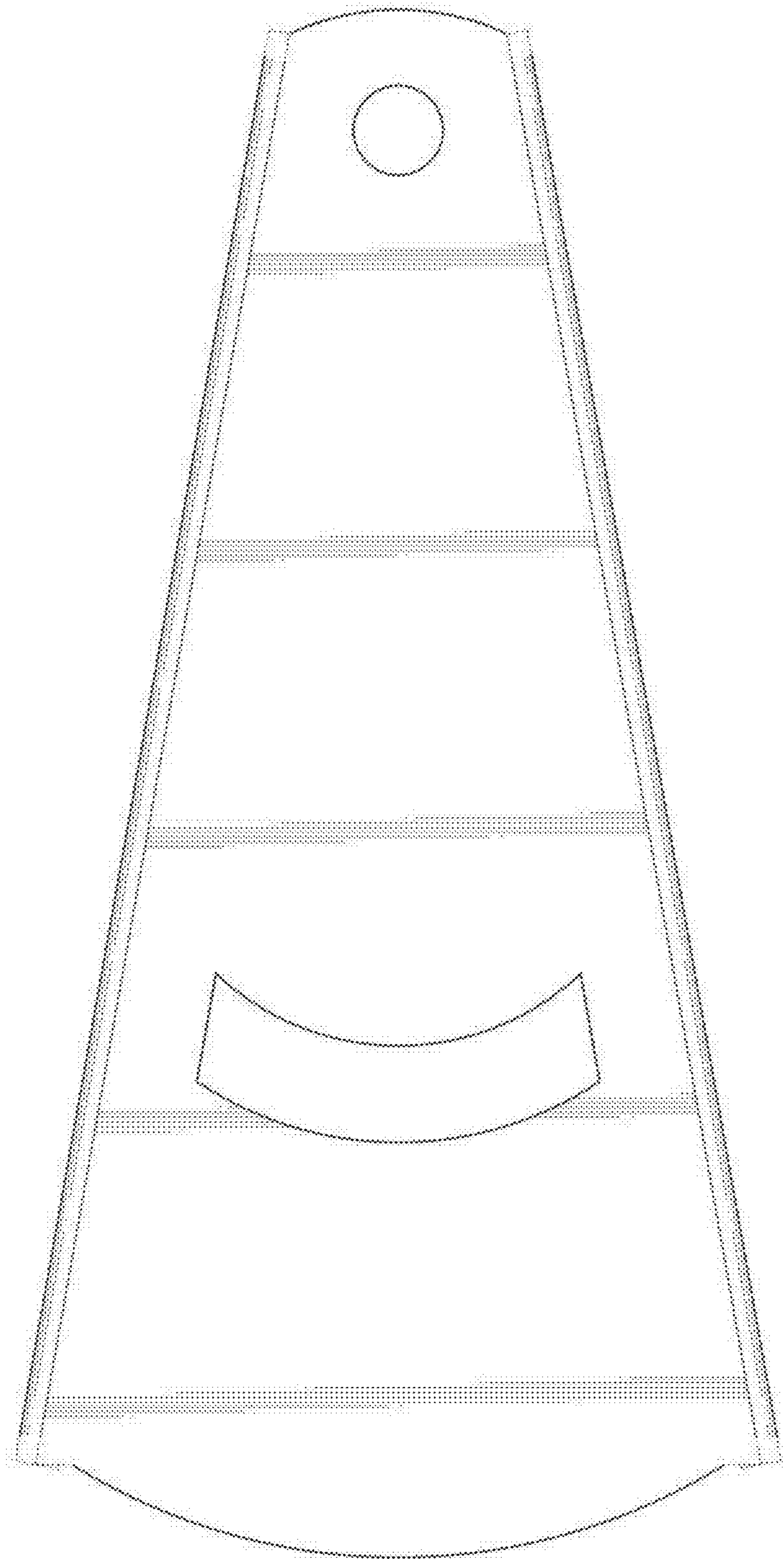


Fig. 1



Fig. 2

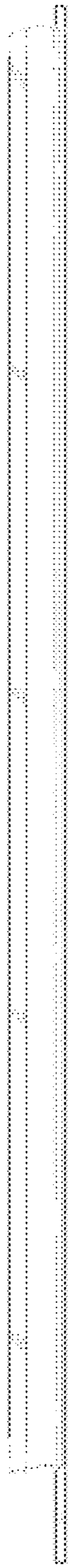


Fig. 3

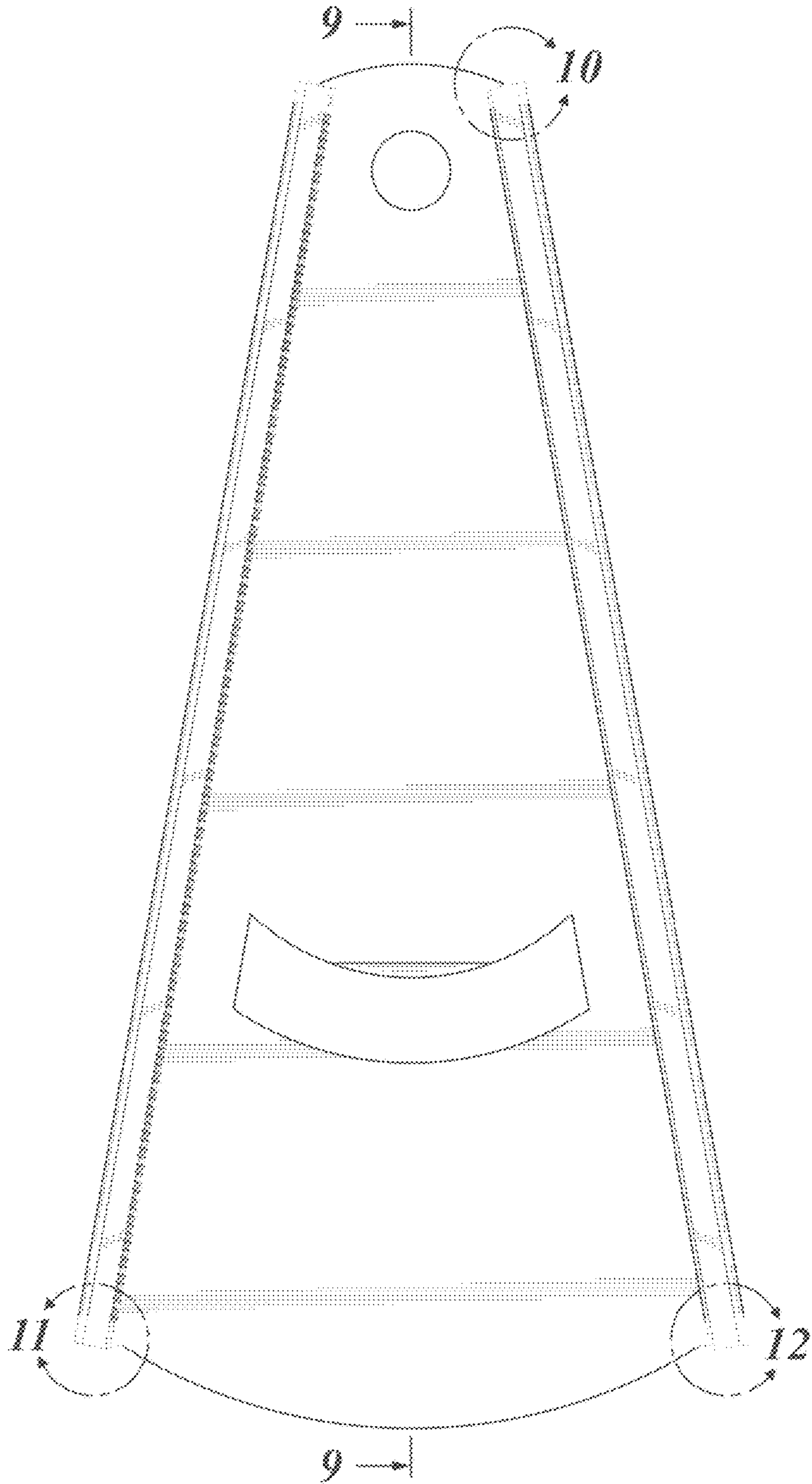


Fig. 4

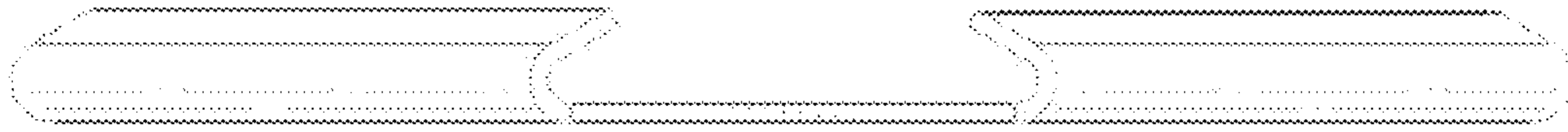


Fig. 5

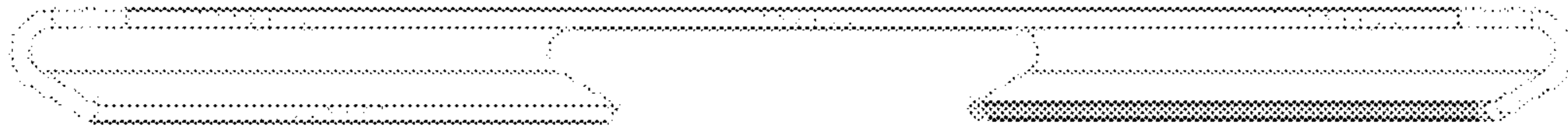


Fig. 6

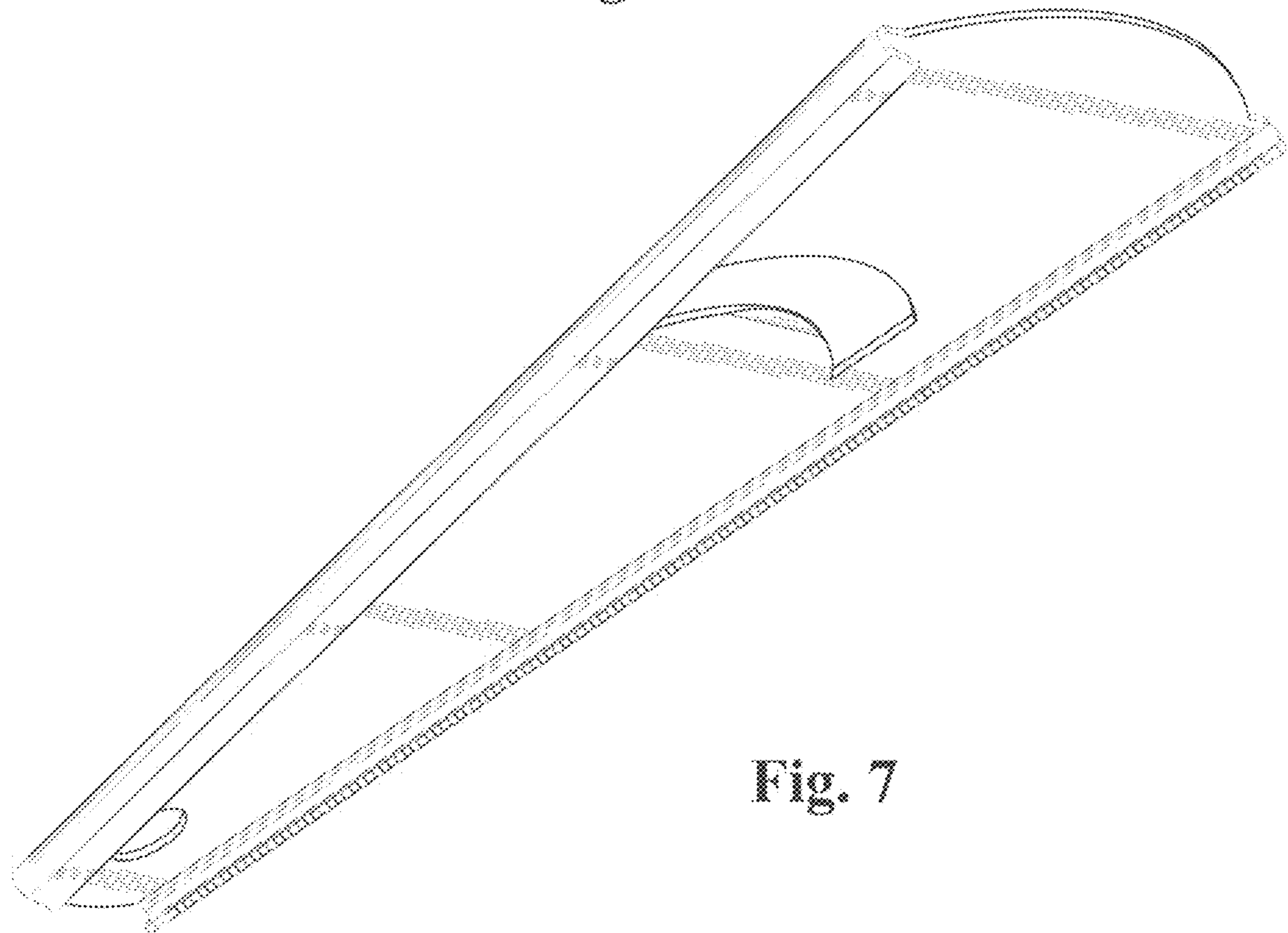


Fig. 7

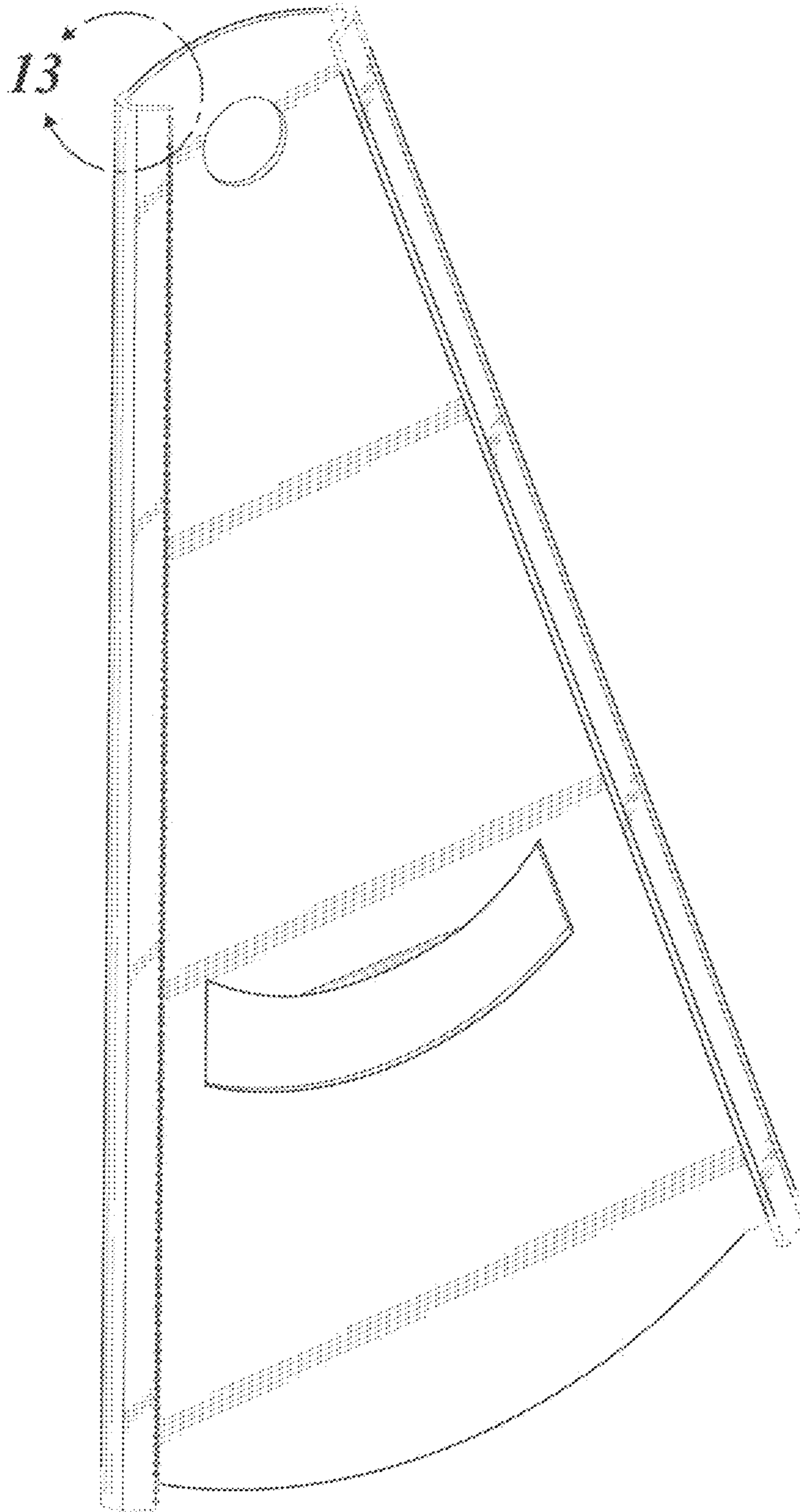


Fig. 8

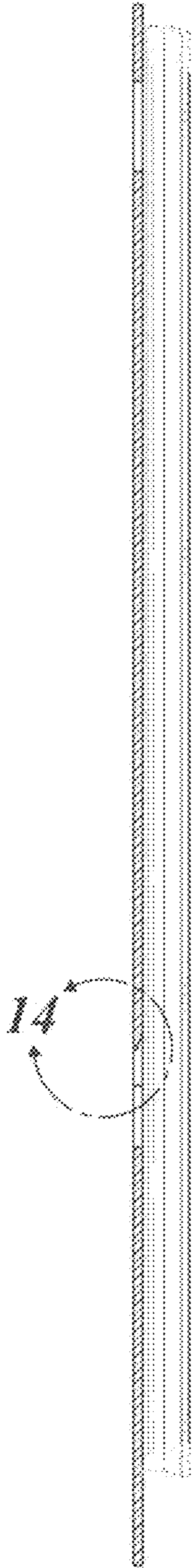


Fig. 9

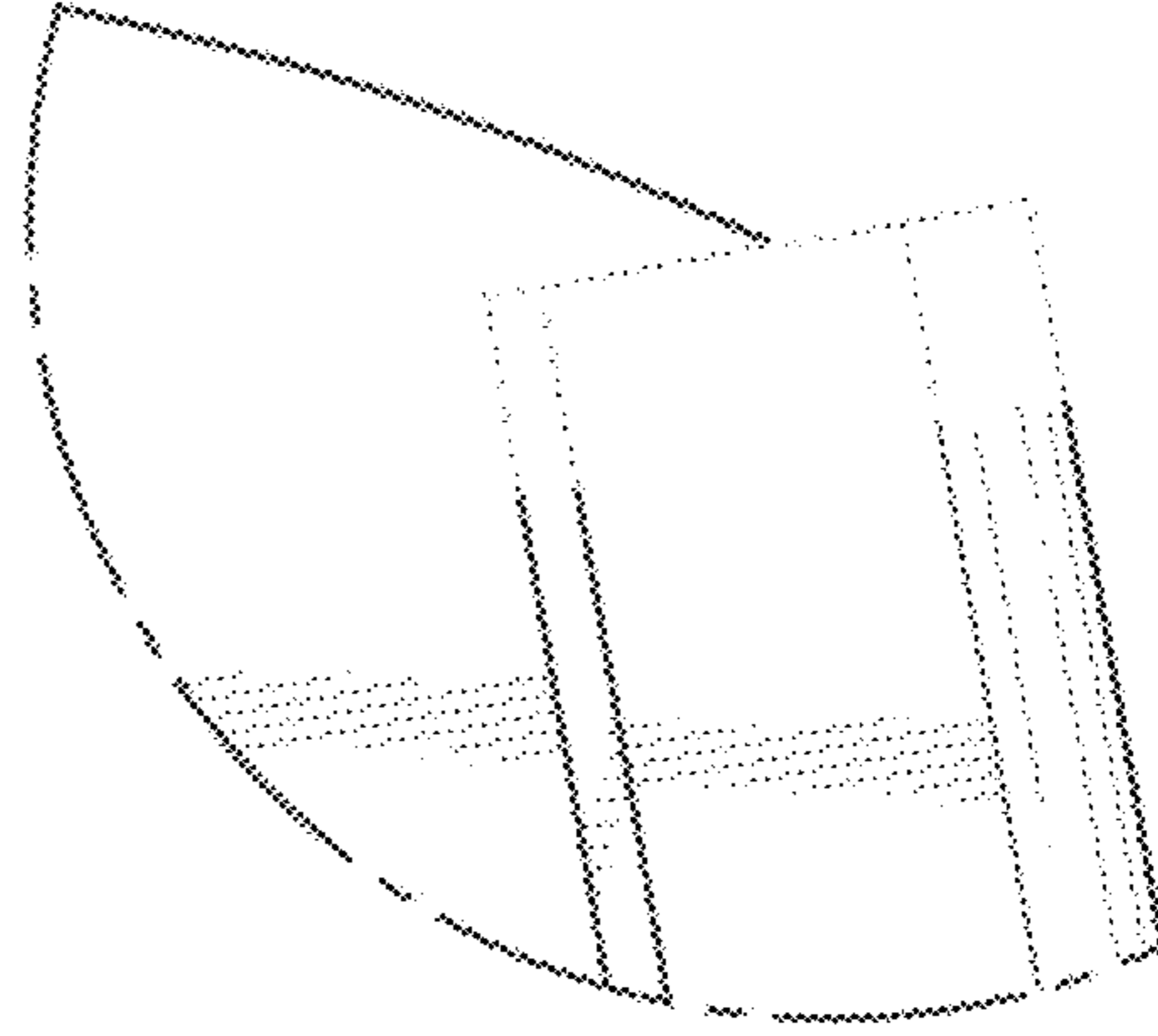


Fig. 10

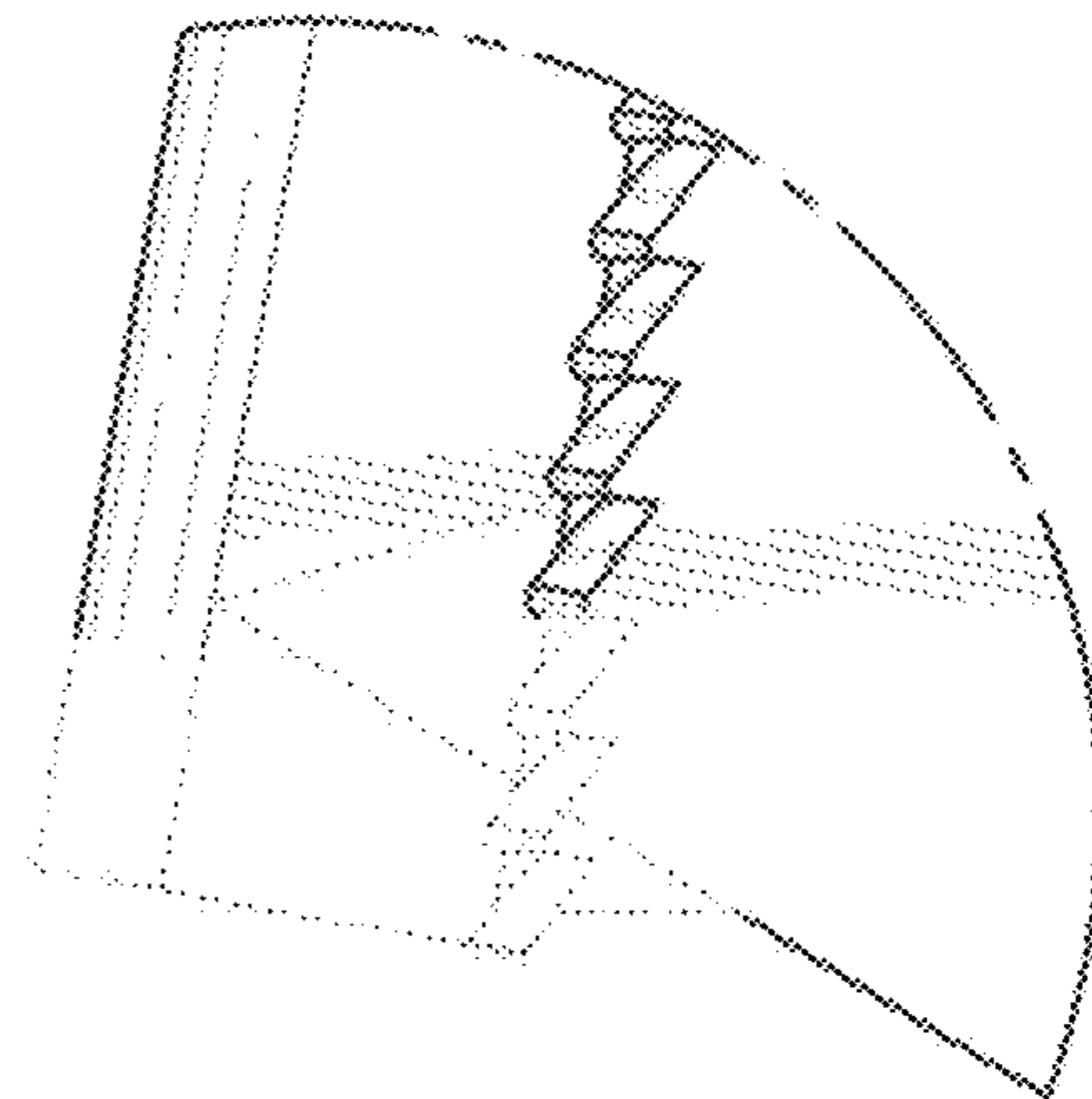


Fig. 11

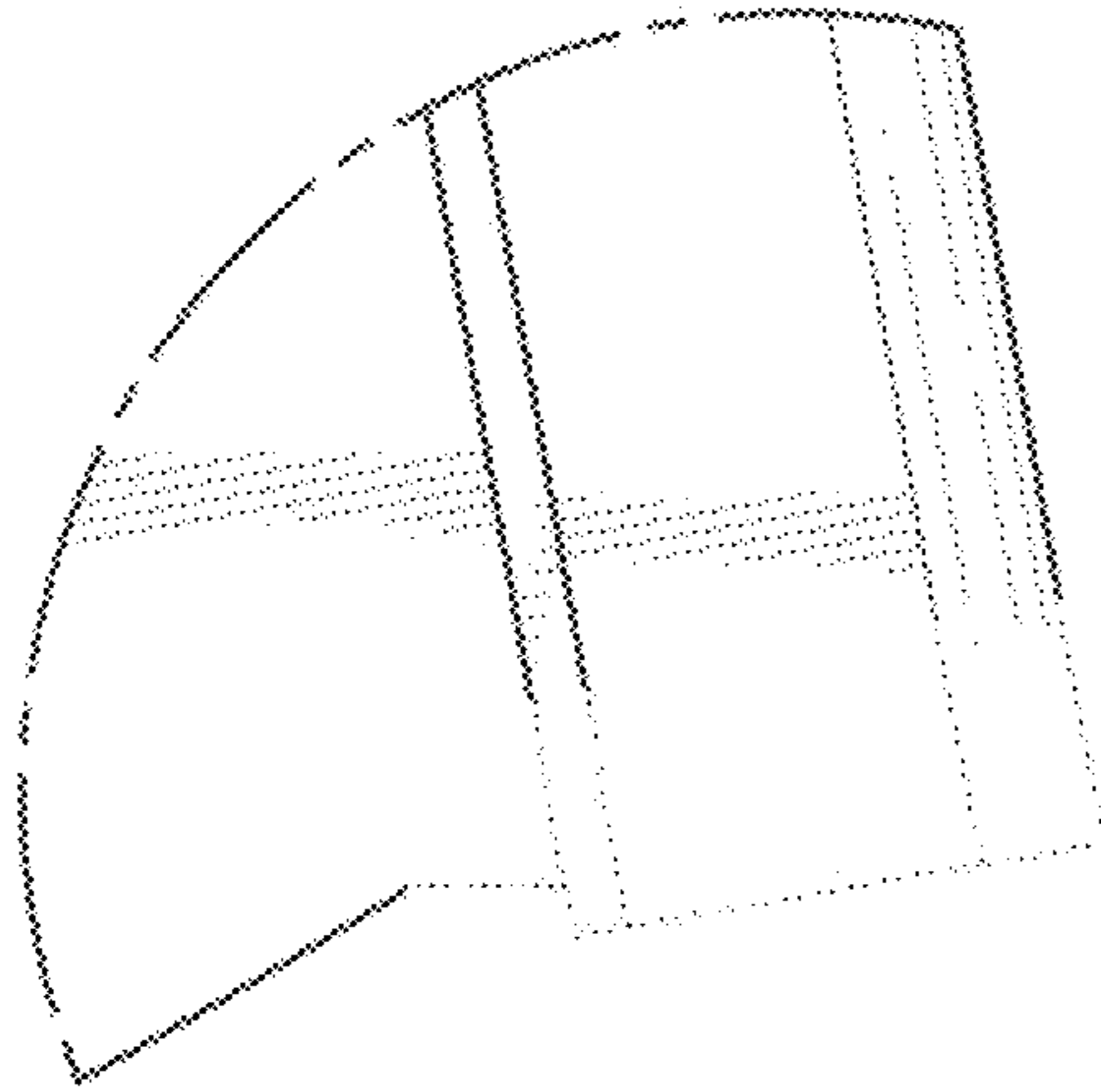


Fig. 12

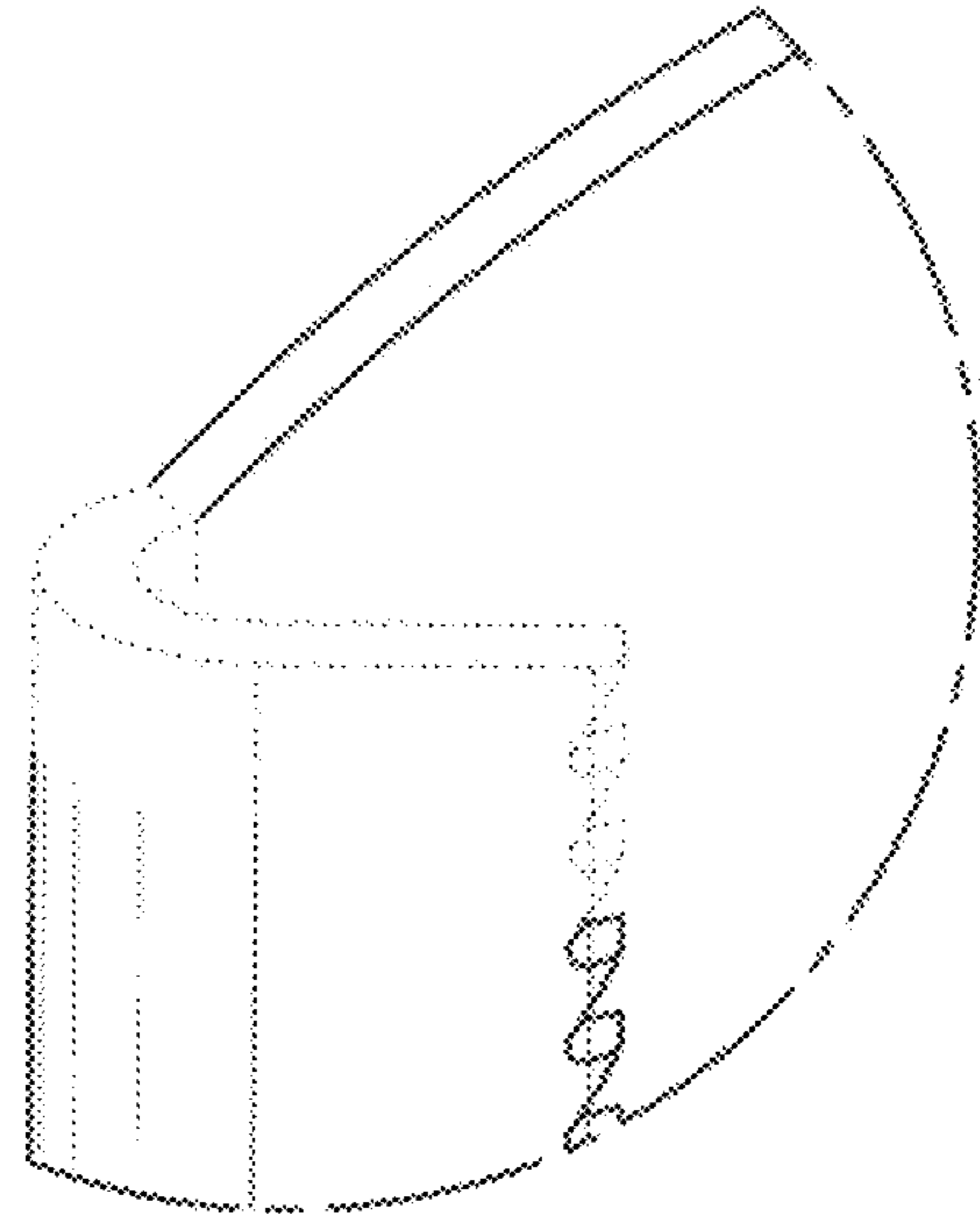


Fig. 13

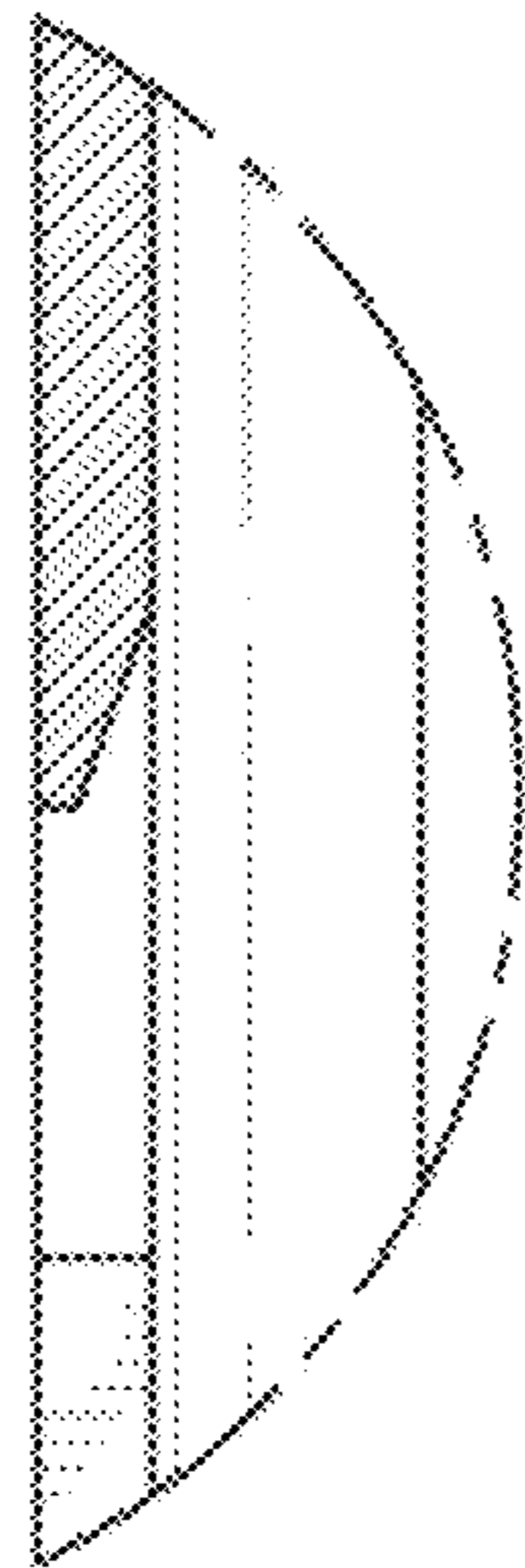


Fig. 14