



US00D927280S

(12) **United States Design Patent** (10) **Patent No.:** **US D927,280 S**
Scimone et al. (45) **Date of Patent:** **** Aug. 10, 2021**

- (54) **ROLLING SCISSORS**
- (71) Applicant: **SLICE, INC.**, San Jose, CA (US)
- (72) Inventors: **Thomas Scimone**, San Jose, CA (US);
Scot Herbst, Santa Cruz, CA (US)
- (**) Term: **15 Years**
- (21) Appl. No.: **29/722,647**
- (22) Filed: **Jan. 31, 2020**
- (51) **LOC (13) Cl.** **08-03**
- (52) **U.S. Cl.**
USPC **D8/98**
- (58) **Field of Classification Search**
USPC D8/14, 51, 98, 99, 57
CPC .. B26B 1/00; B26B 5/00; B26B 5/001; B26B
25/005; B26B 29/00
See application file for complete search history.

- 8,782,909 B1 * 7/2014 Davis B26B 1/08
30/280
- D762,437 S * 8/2016 Lipscomb D8/98
- 9,650,065 B2 * 5/2017 Davis B26B 5/005
- 2014/0259693 A1 * 9/2014 Gropl B26B 29/00
30/278
- 2015/0107119 A1 * 4/2015 Yu Chen B26B 29/00
30/283

* cited by examiner

Primary Examiner — Philip S Hyder
(74) *Attorney, Agent, or Firm* — Ellenoff Grossman & Schole LLP; James M. Smedley; Alex Korona

(57) **CLAIM**

We claim the ornamental design for rolling scissors, as shown and described.

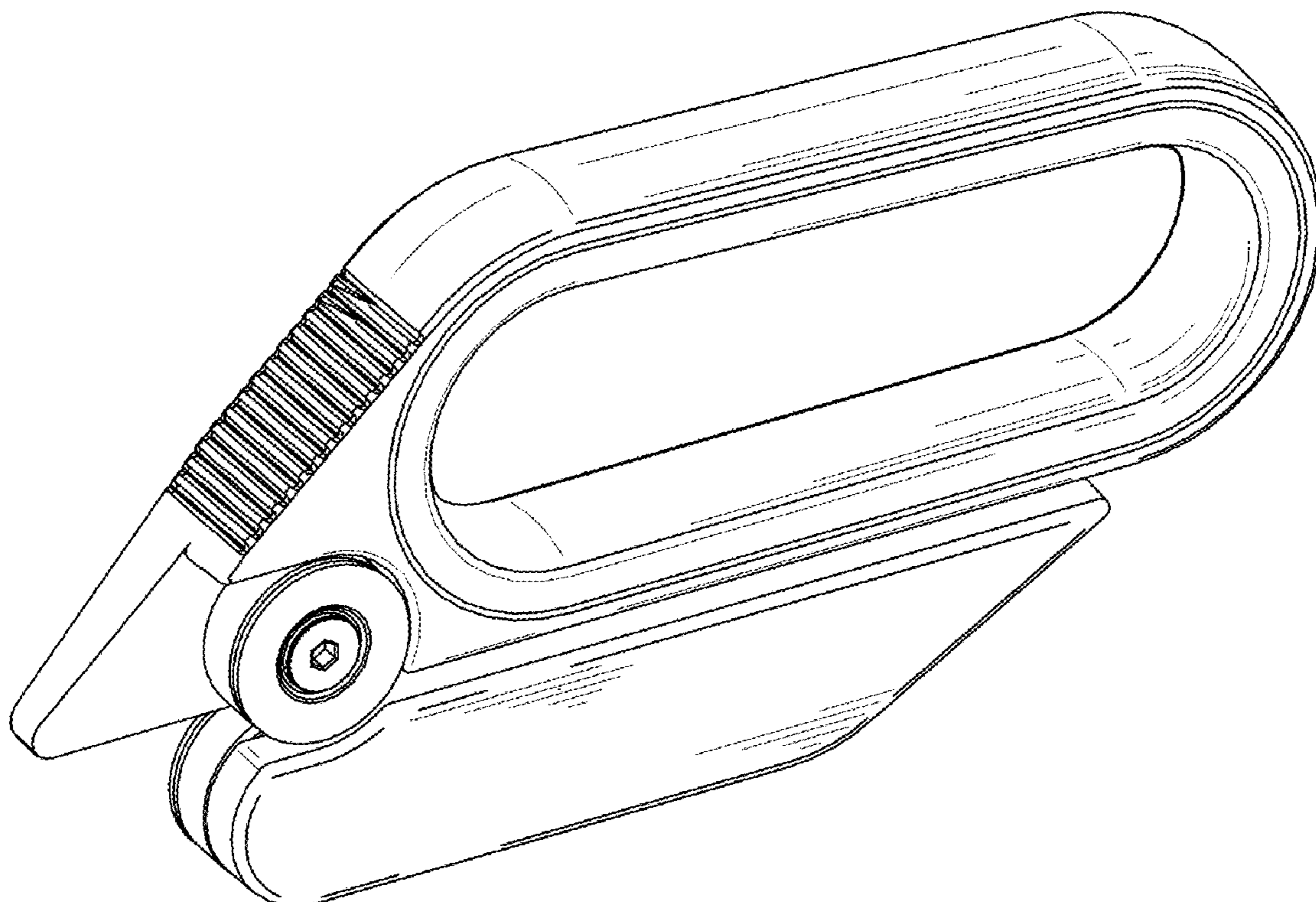
DESCRIPTION

FIG. 1 is a top front perspective view showing the new design.
 FIG. 2 is a bottom rear perspective view showing the new design.
 FIG. 3 is a front plan view showing the new design.
 FIG. 4 is a rear plan view showing the new design.
 FIG. 5 is a top plan view showing the new design.
 FIG. 6 is a bottom plan view showing the new design.
 FIG. 7 is a left side plan view showing the new design; and,
 FIG. 8 is a right side plan view showing the new design.
 The shading lines shown in the drawings represent the approximate three-dimensional contour of the design and are not intended to indicate surface decoration.

1 Claim, 3 Drawing Sheets

(56) **References Cited**
U.S. PATENT DOCUMENTS

- D254,243 S * 2/1980 Florian 30/294
- 5,299,355 A * 4/1994 Boda B26B 5/003
30/162
- D392,537 S * 3/1998 Schulz D8/51
- 6,240,645 B1 * 6/2001 Ozeki A41H 31/005
30/240
- D586,197 S * 2/2009 Della Polla D8/99
- 7,540,094 B2 * 6/2009 Okada B26B 29/06
30/287
- D631,724 S * 2/2011 Della Polla D8/98



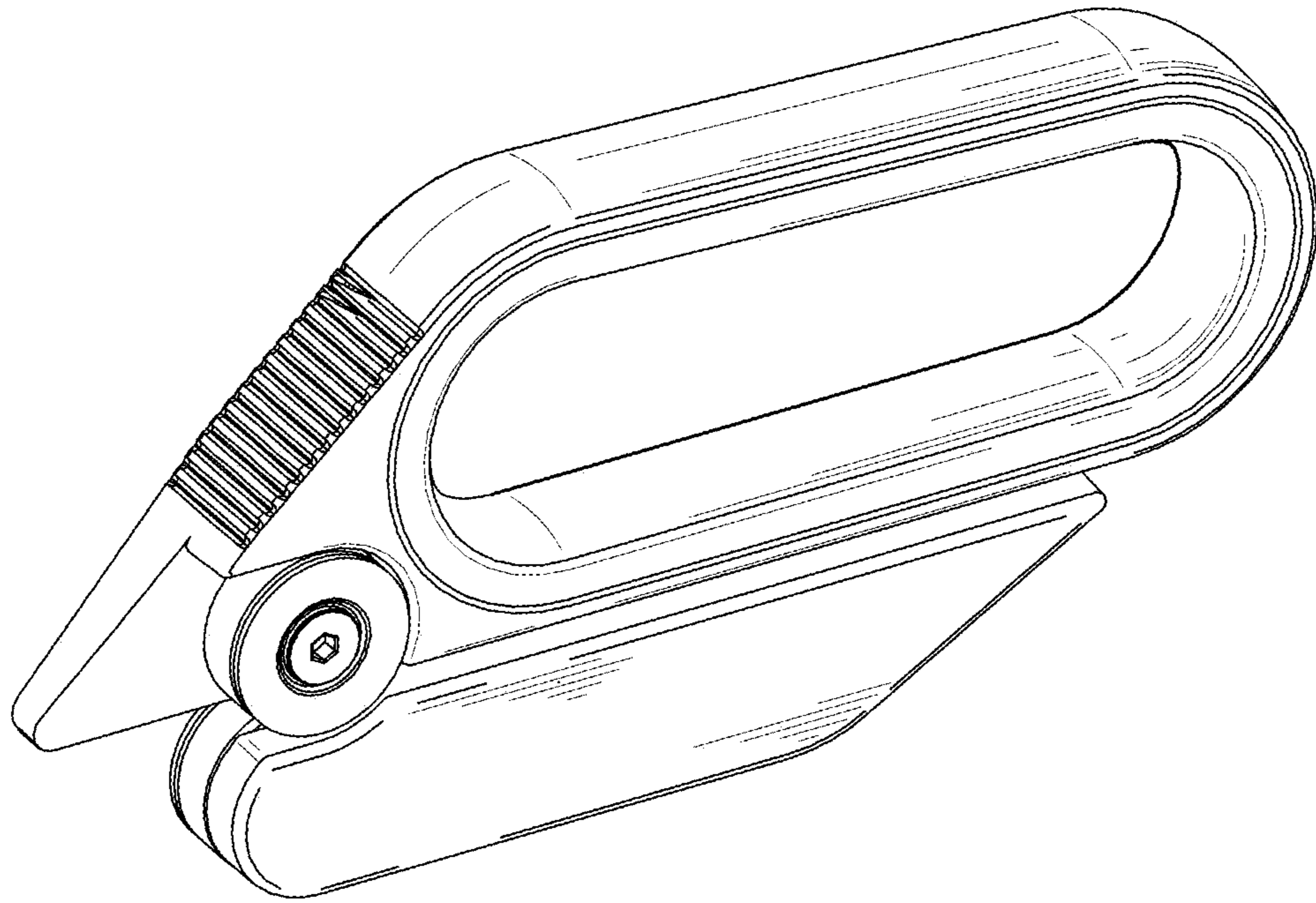


FIG. 1

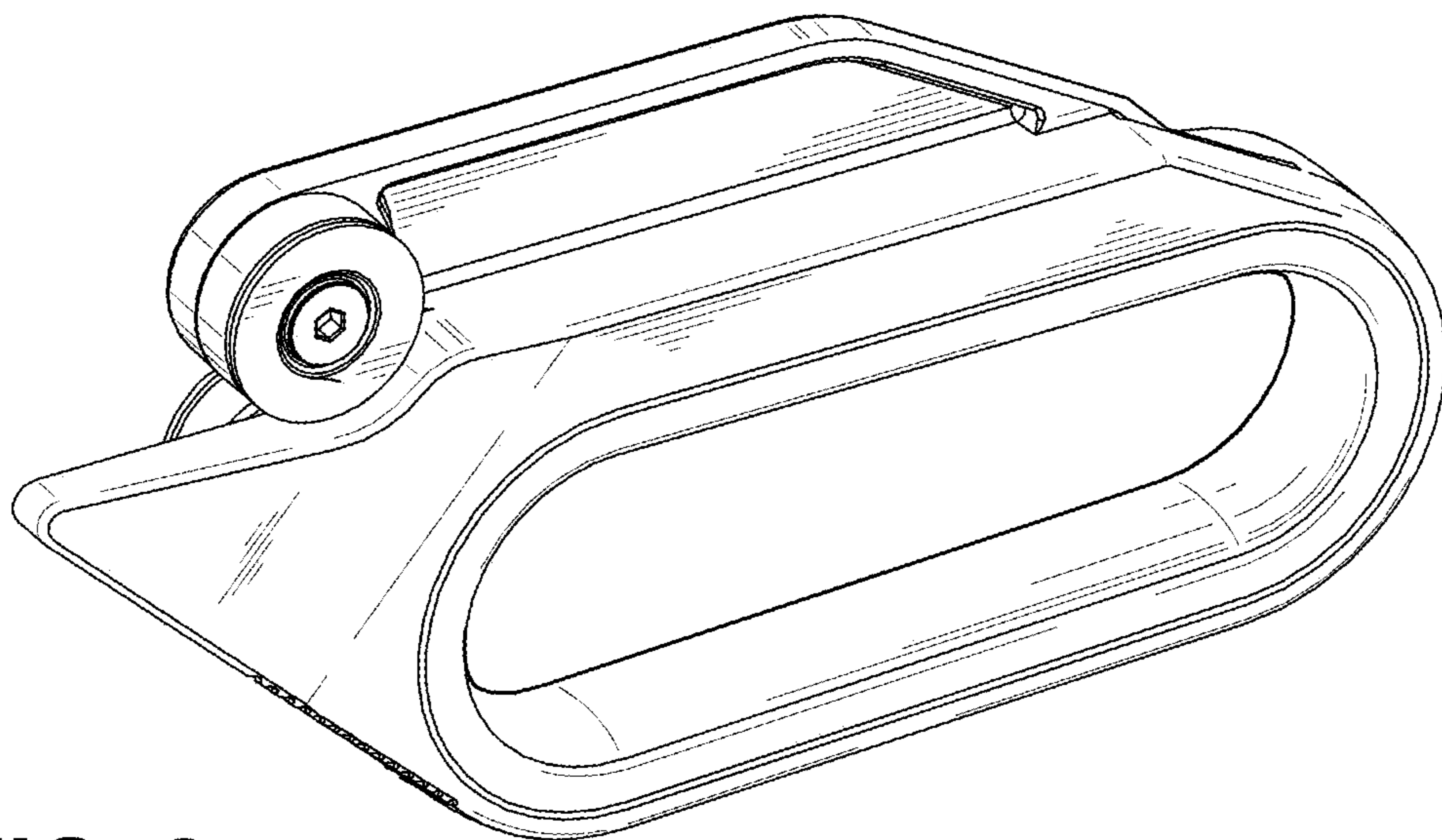


FIG. 2

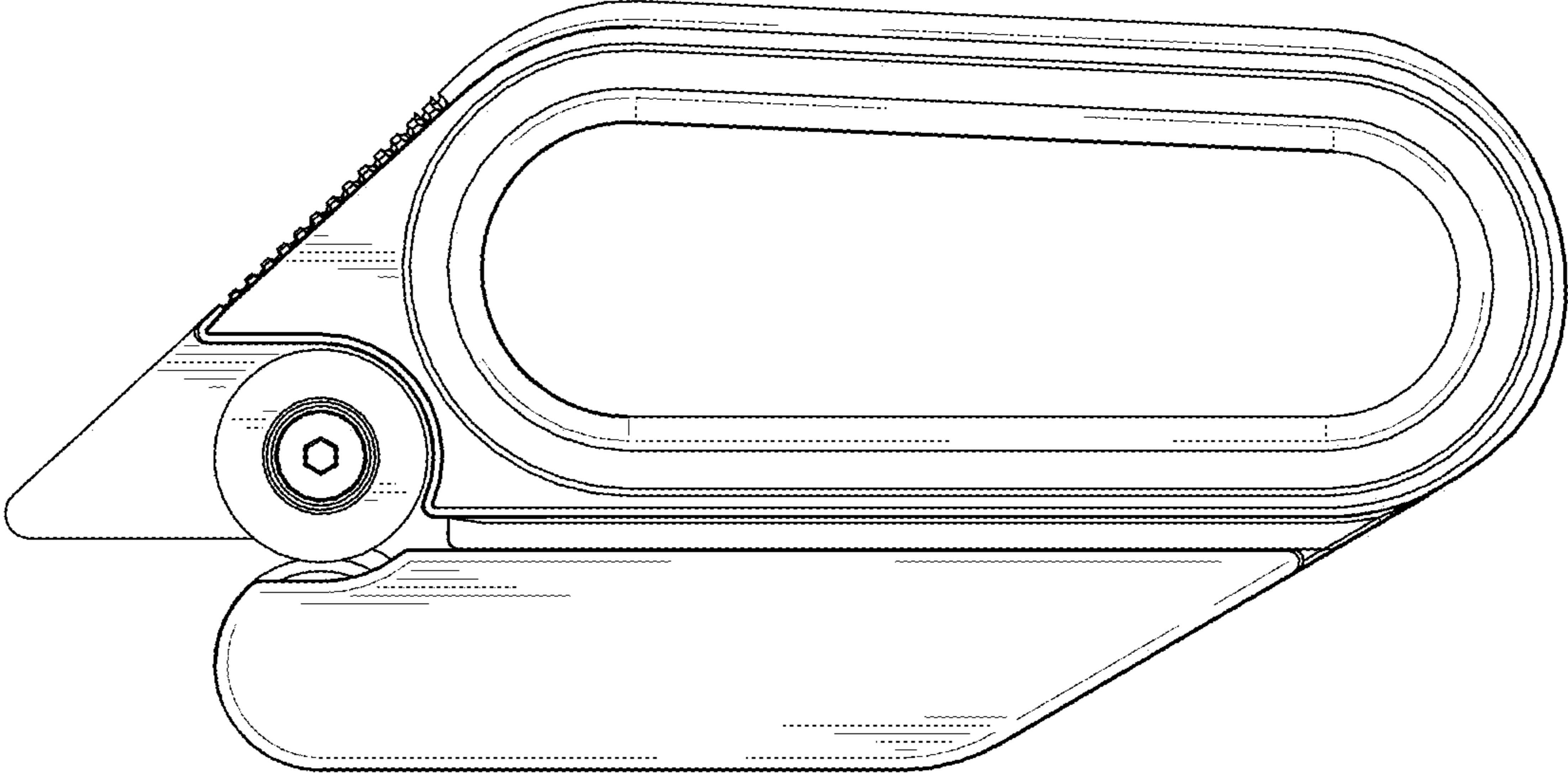


FIG. 3

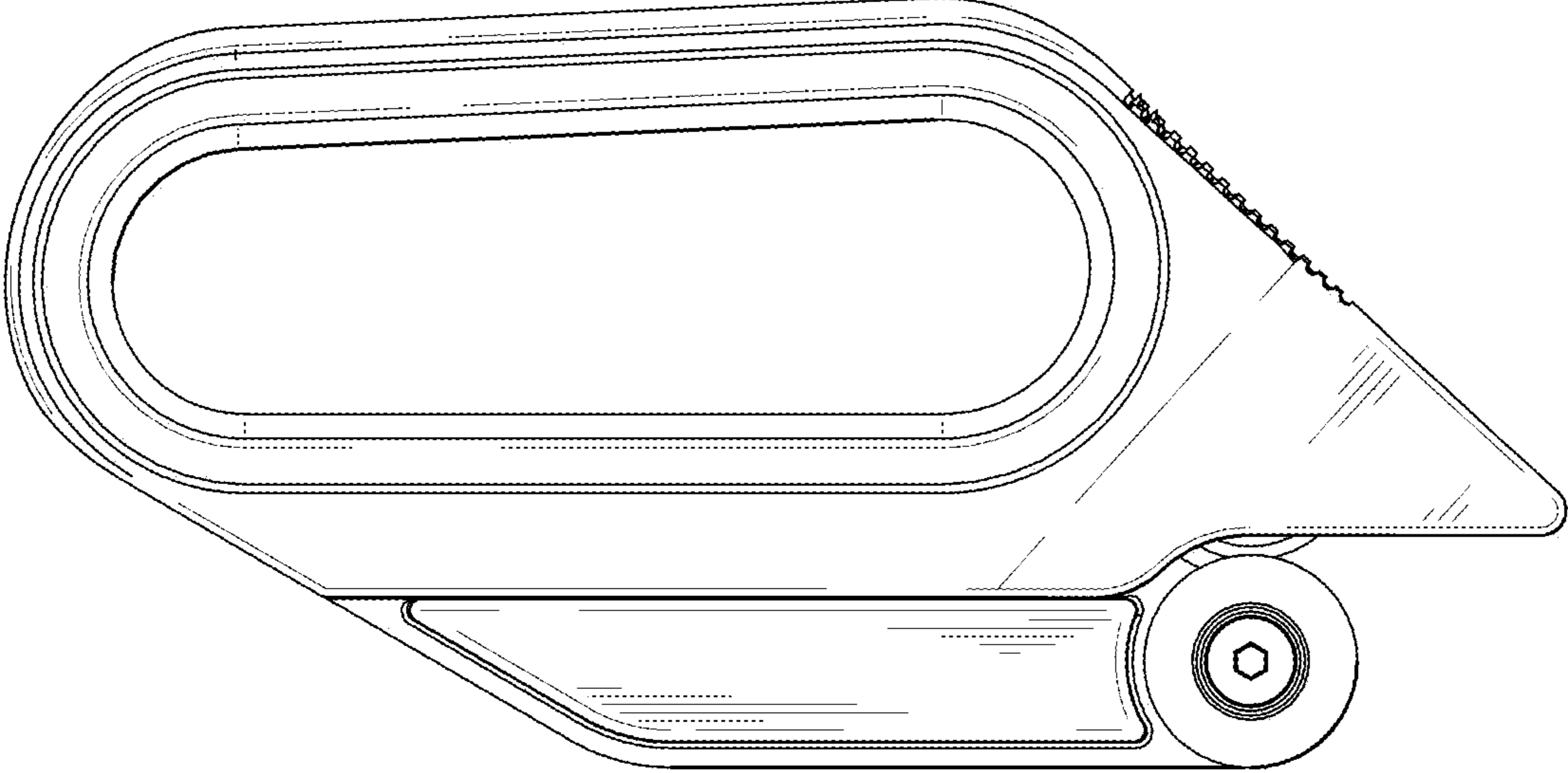


FIG. 4

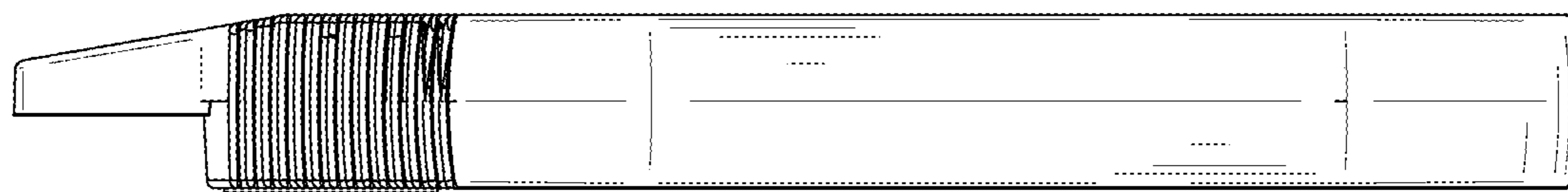


FIG. 5

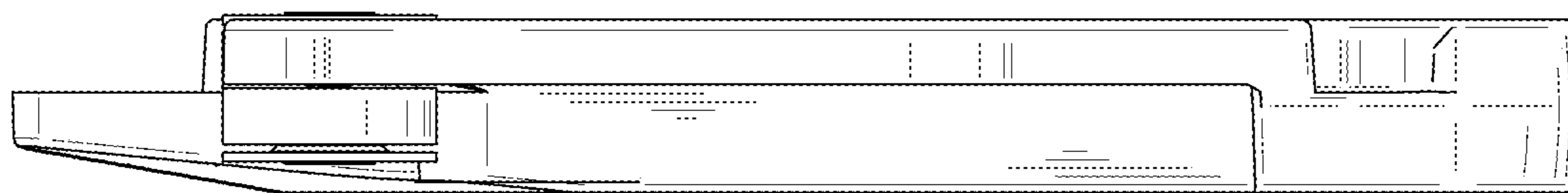


FIG. 6

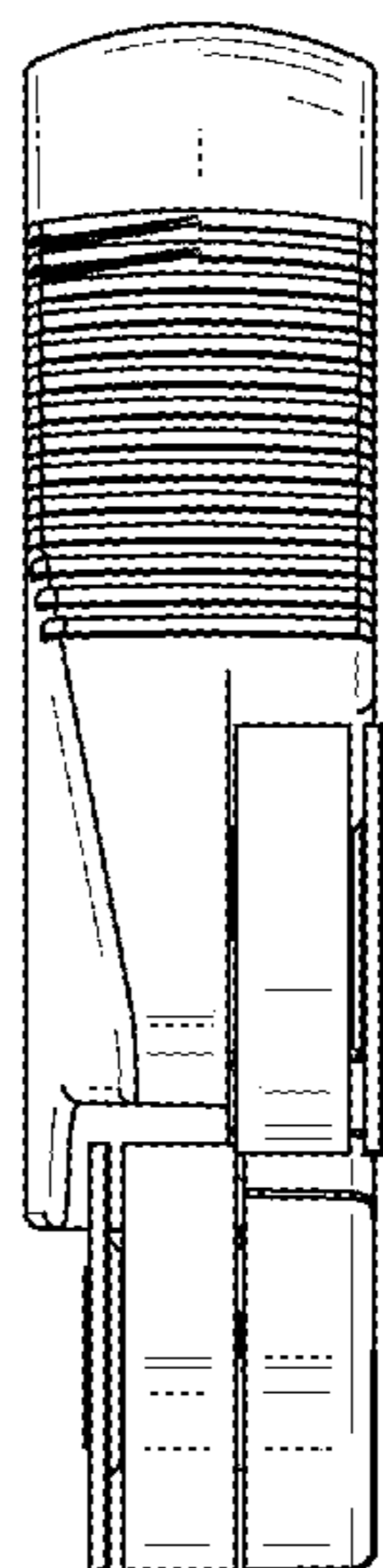


FIG. 7

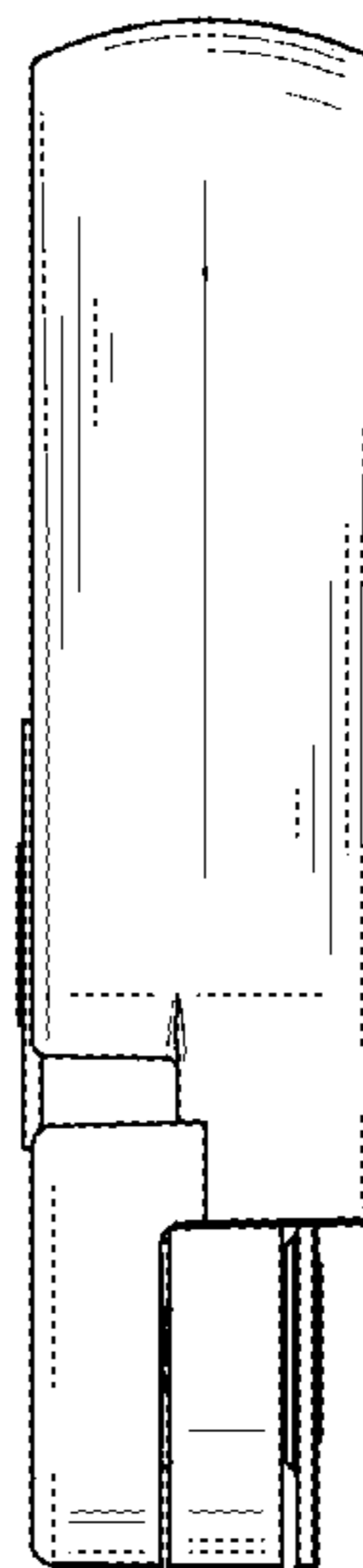


FIG. 8