



US00D927278S

(12) **United States Design Patent**
Zhong et al.

(10) **Patent No.:** **US D927,278 S**

(45) **Date of Patent:** **** Aug. 10, 2021**

(54) **ELECTRIC GRINDER**

(71) Applicant: **Aukey Technology Co., Ltd**, Shenzhen (CN)

(72) Inventors: **Xiaomin Zhong**, Shenzhen (CN); **Bo Du**, Shenzhen (CN); **Huiyue Ze**, Shenzhen (CN)

(73) Assignee: **Aukey Technology Co., Ltd**, Shenzhen (CN)

(**) Term: **15 Years**

(21) Appl. No.: **29/730,871**

(22) Filed: **Apr. 9, 2020**

(51) **LOC (13) Cl.** **08-01**

(52) **U.S. Cl.**
USPC **D8/61**

(58) **Field of Classification Search**
USPC D8/61, 62, 67, 69; 81/57, 57.11, 57.14, 81/57.26, 429, 464, 469; 173/2, 170, 173/176, 181
CPC B25B 21/02; B25B 21/008; B25B 23/16; B25B 23/1405; A61B 17/1615
See application file for complete search history.

(56) **References Cited**

U.S. PATENT DOCUMENTS

D380,658 S	*	7/1997	Bruno	D24/146
D423,897 S	*	5/2000	Cooper	D8/61
D433,905 S	*	11/2000	Cooper	D8/61
D437,758 S	*	2/2001	Heun	D8/61
D484,022 S	*	12/2003	Tsai	D8/107
D565,916 S	*	4/2008	Chen	D8/61

D577,974 S	*	10/2008	Miller	D8/70
D586,195 S	*	2/2009	Okuda	D8/61
D601,873 S	*	10/2009	Lau	D8/62
D618,079 S	*	6/2010	Blythe	D8/61
D634,998 S	*	3/2011	Garfield	D8/61
D663,180 S	*	7/2012	Jerome	D8/61
D677,540 S	*	3/2013	Meyers	D8/61
D715,615 S	*	10/2014	Nagy	D8/61
D720,196 S	*	12/2014	Hsiao	D8/61
D755,032 S	*	5/2016	Martinez	D8/61
D794,407 S	*	8/2017	Markwald	D8/61
D873,104 S	*	1/2020	Chen	D8/61
D880,265 S	*	4/2020	Ruivivar	D8/61
D889,227 S	*	7/2020	Chen	D8/61

* cited by examiner

Primary Examiner — Austin Murphy

(74) *Attorney, Agent, or Firm* — Westbridge IP LLC

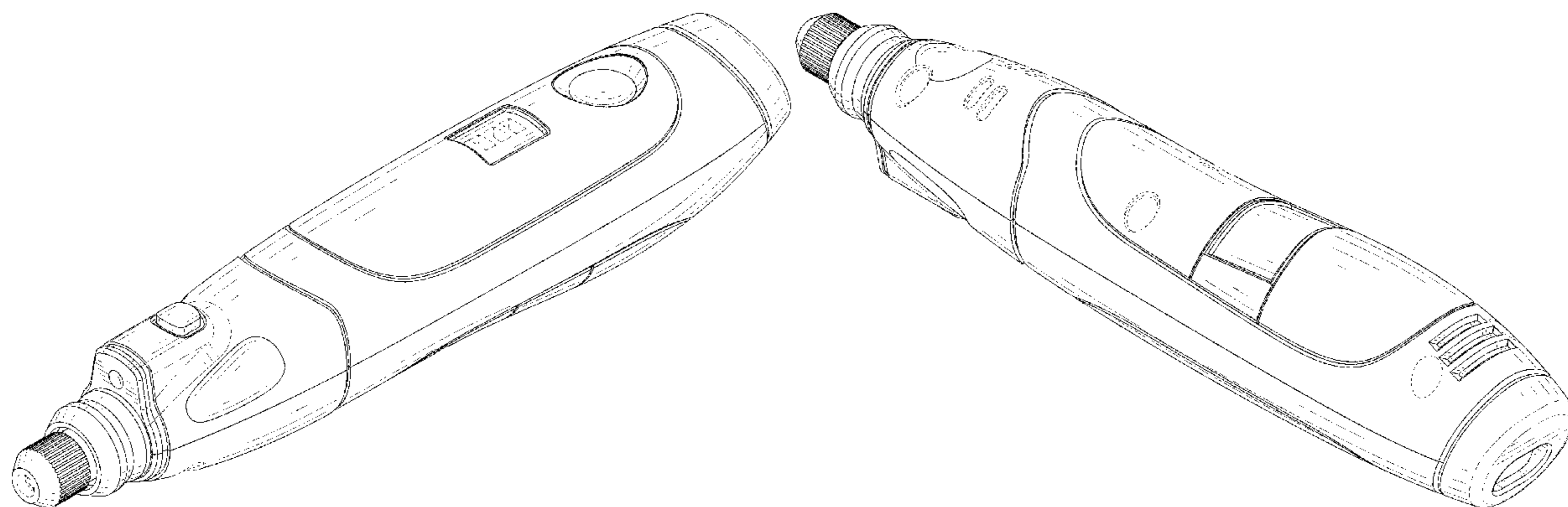
(57) **CLAIM**

The ornamental design for an electric grinder, as shown and described.

DESCRIPTION

FIG. 1 is a front, right, top perspective view of an electric grinder showing our new design;
FIG. 2 is a rear, left, bottom perspective view thereof;
FIG. 3 is a front elevational view thereof;
FIG. 4 is a rear elevational view thereof;
FIG. 5 is a left side view thereof;
FIG. 6 is a right side view thereof;
FIG. 7 is a top plan view thereof; and,
FIG. 8 is a bottom plan view thereof.
The broken lines in the drawings illustrate the portions of the electric grinder that form no part of the claimed design.

1 Claim, 8 Drawing Sheets



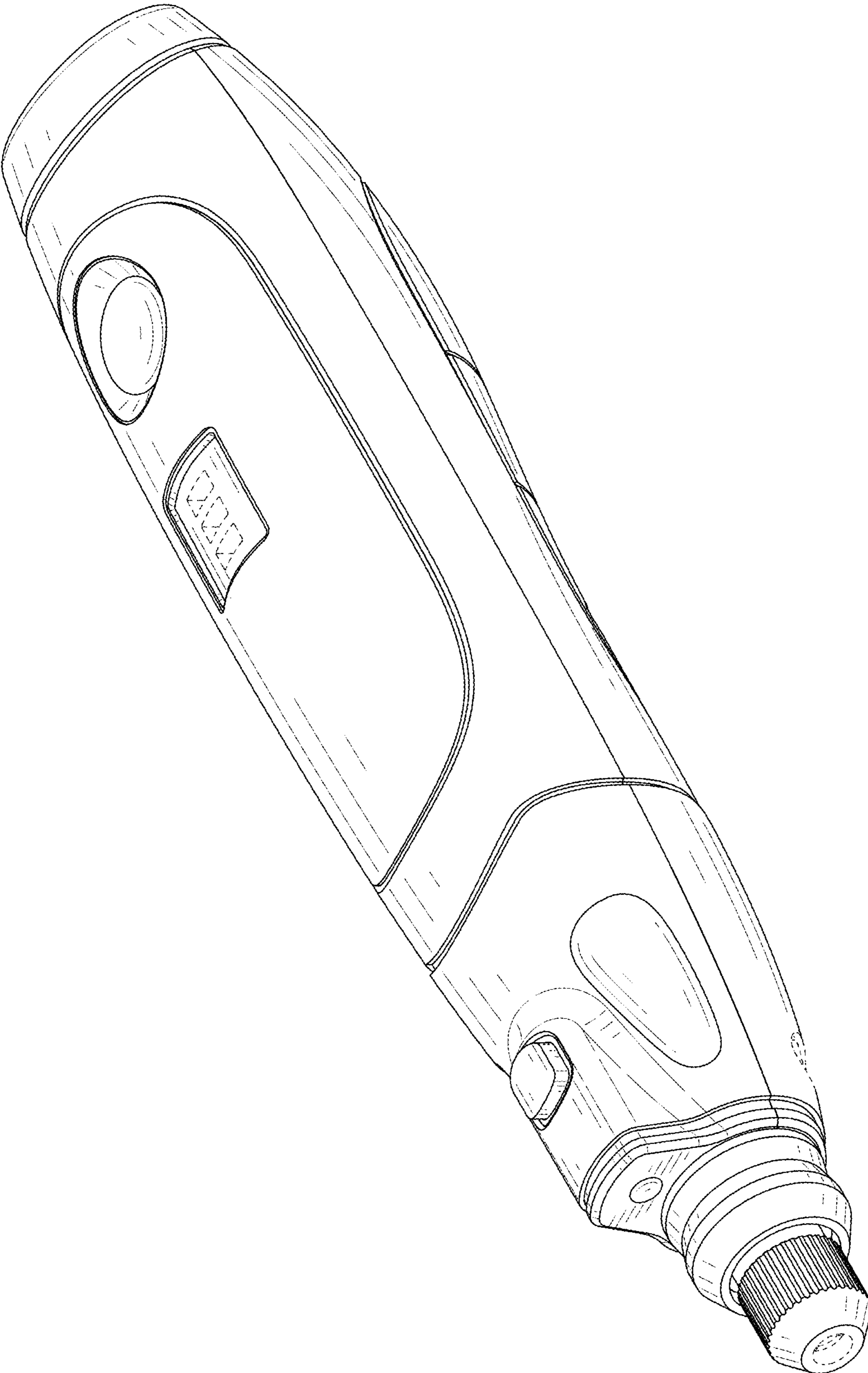


FIG. 1

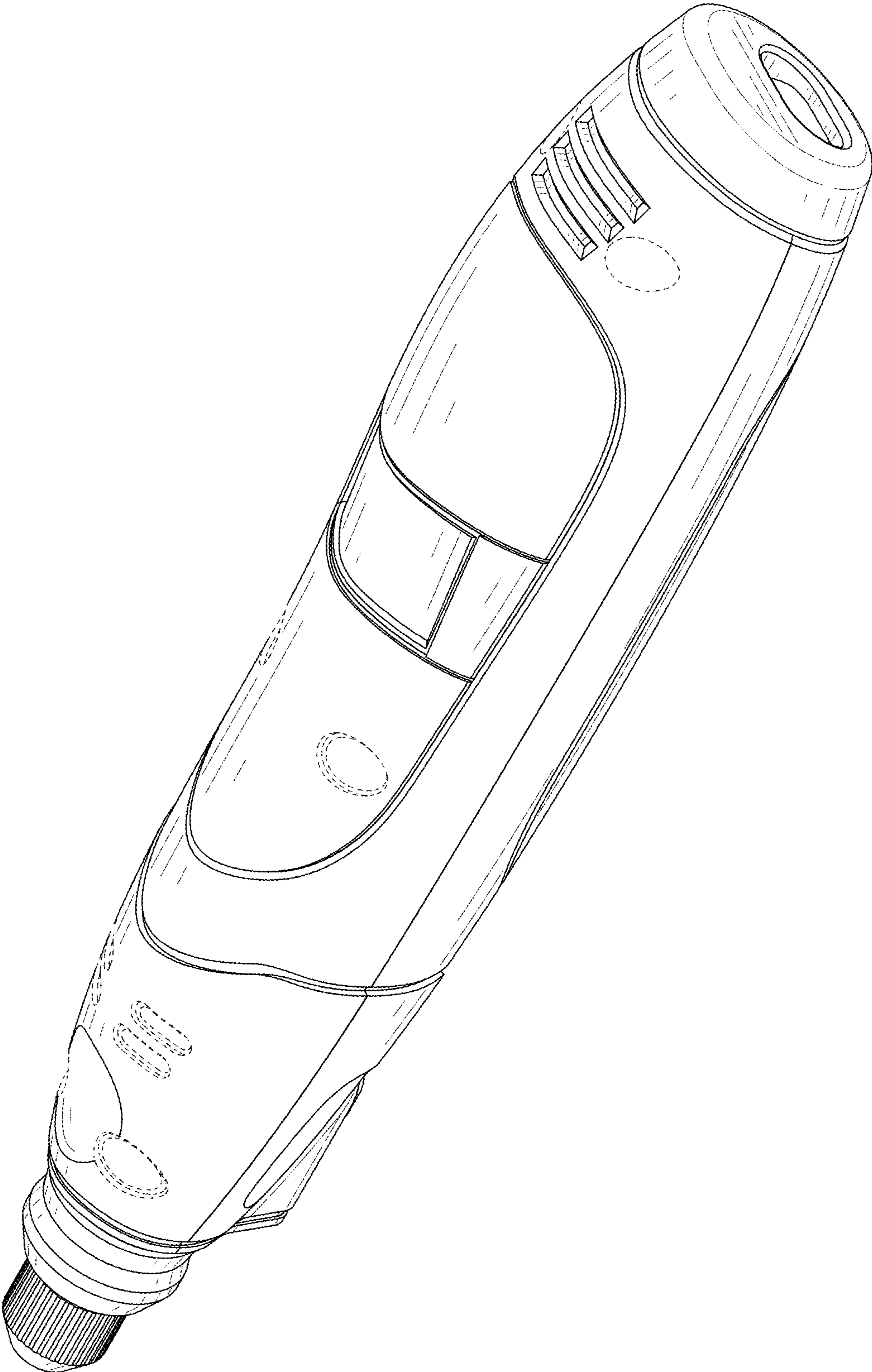


FIG. 2

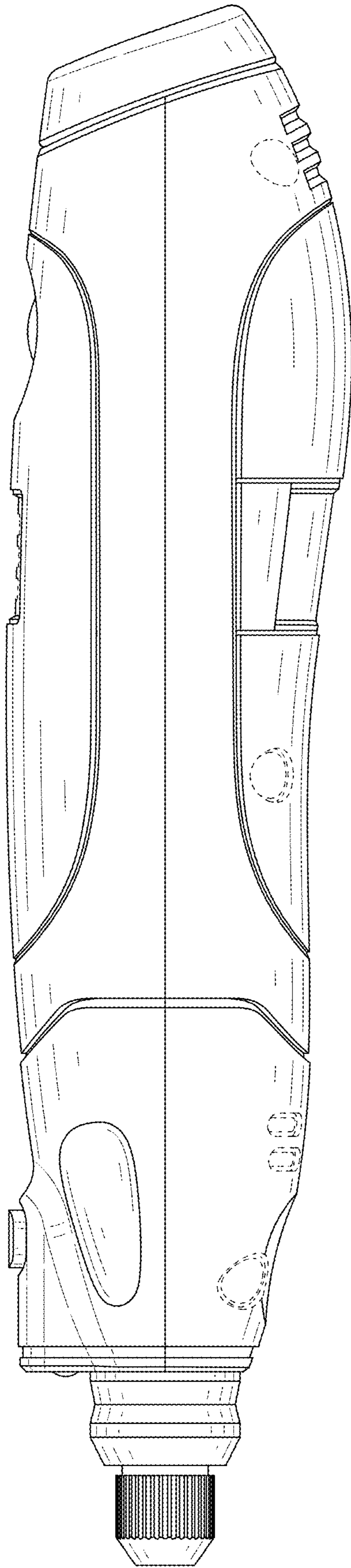


FIG. 3

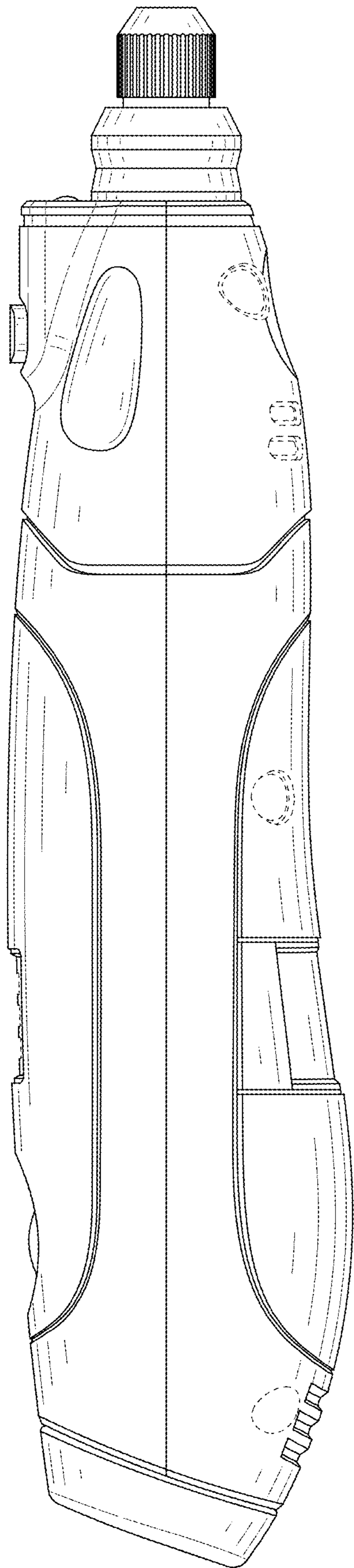


FIG. 4

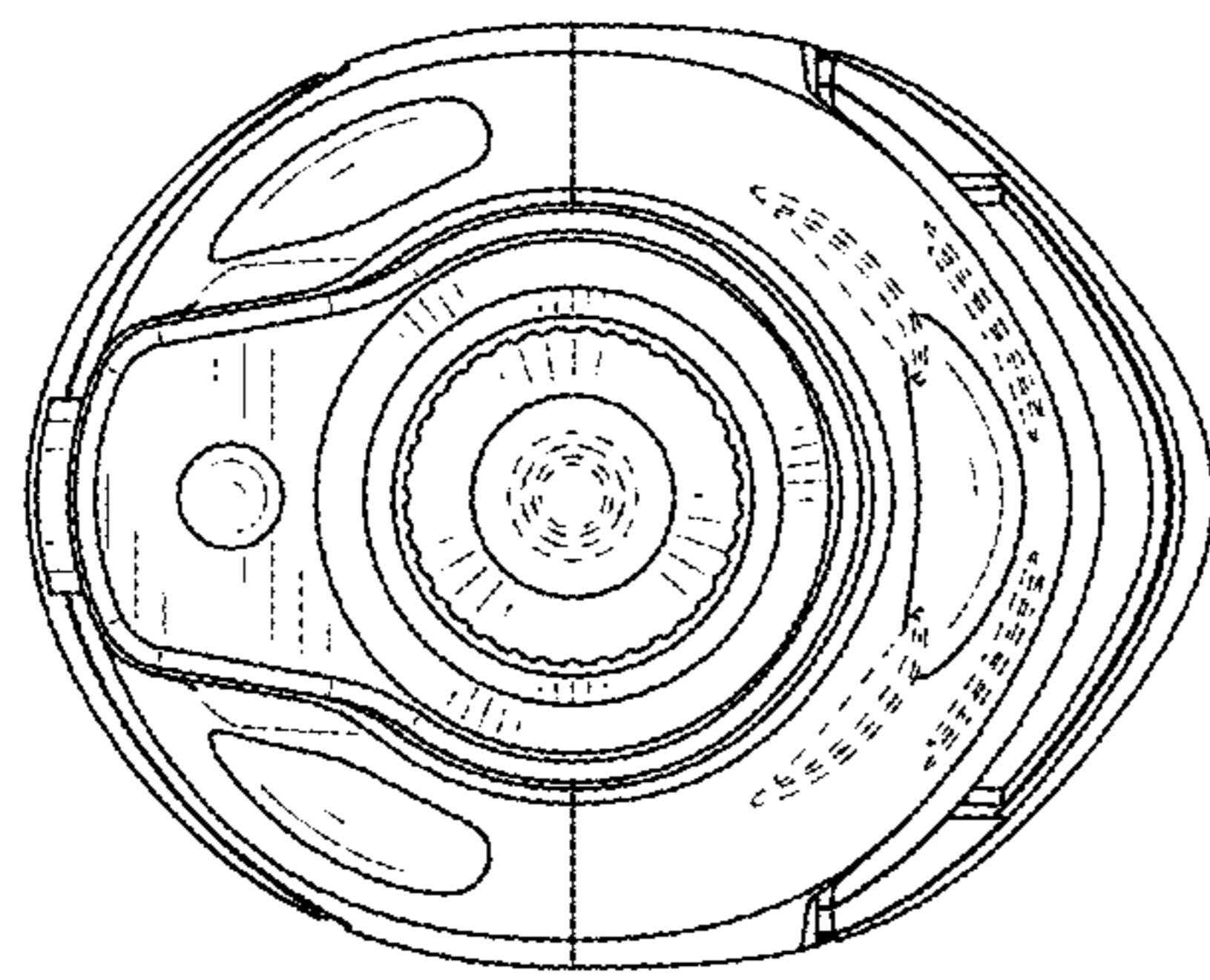


FIG. 5

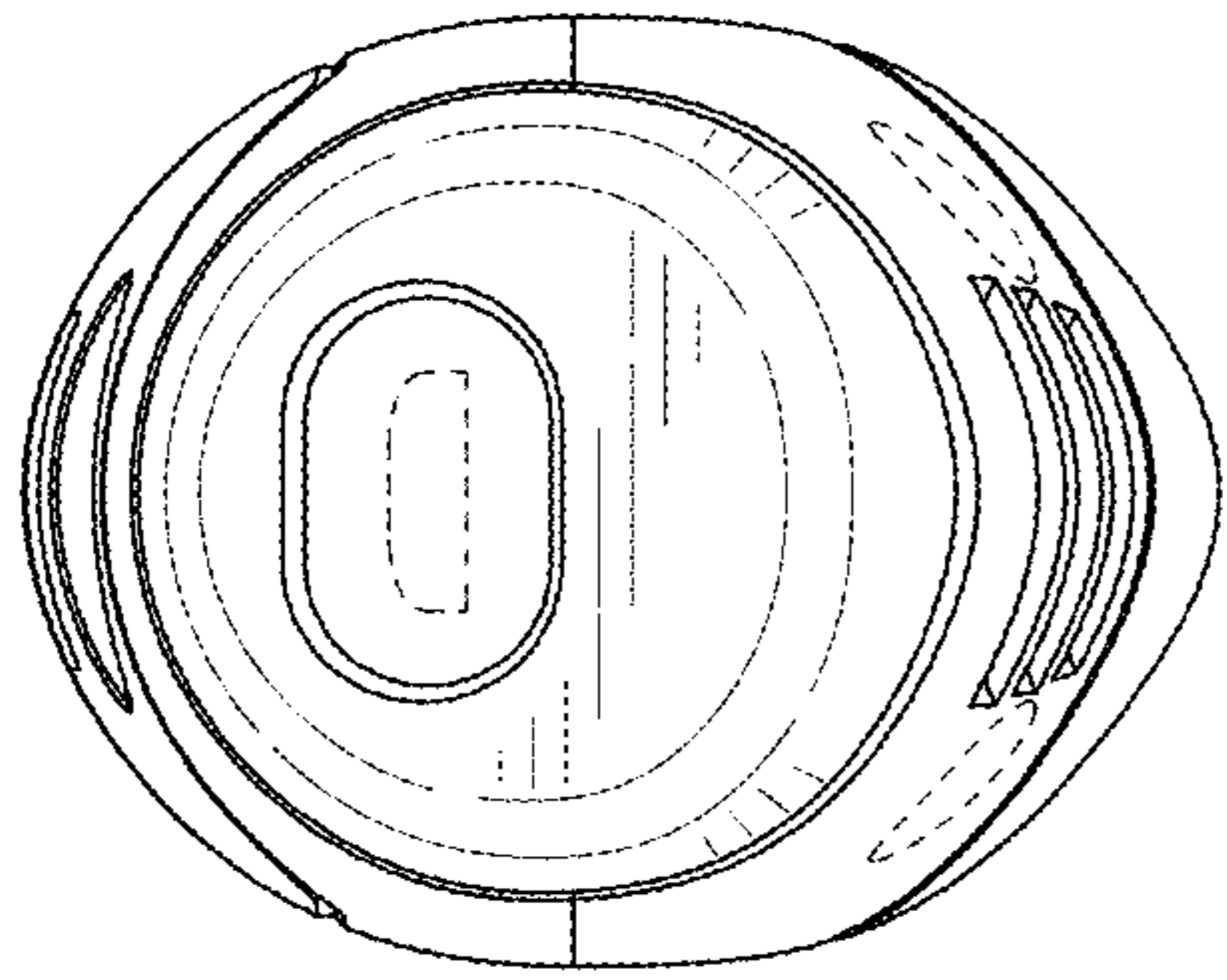


FIG. 6

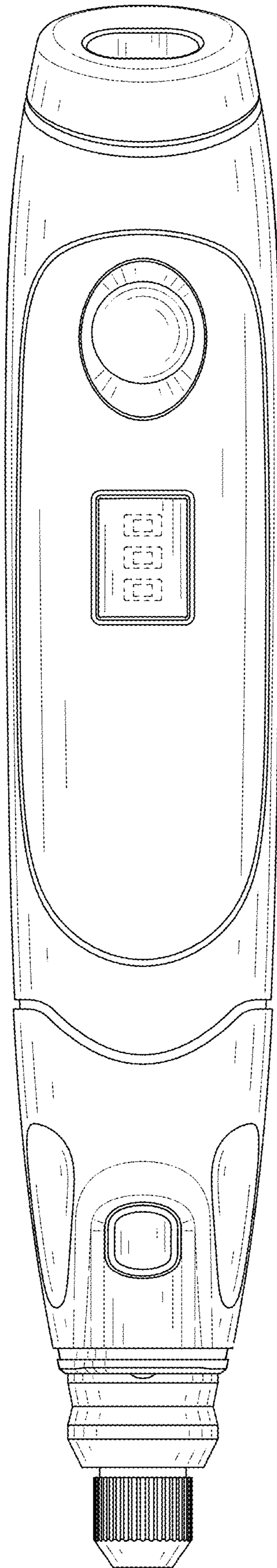


FIG. 7

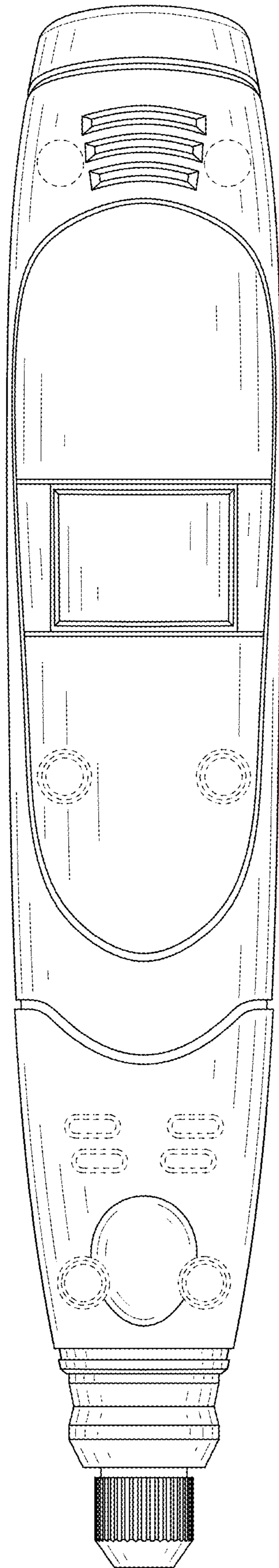


FIG. 8