

US00D927277S

(12) **United States Design Patent** (10) **Patent No.:** **US D927,277 S**
Ventura et al. (45) **Date of Patent:** **** Aug. 10, 2021**

- (54) **FINISHING KNIFE**
- (71) Applicant: **Axia Acquisition Corporation**, Stone Mountain, GA (US)
- (72) Inventors: **Michael Ventura**, Palm Beach Gardens, FL (US); **Howard Hutchinson**, Milton, GA (US); **Matthew W. Jungklaus**, Lawrenceville, GA (US)
- (73) Assignee: **AXIA ACQUISITION CORPORATION**, Stone Mountain, GA (US)
- (**) Term: **15 Years**
- (21) Appl. No.: **29/766,710**
- (22) Filed: **Jan. 18, 2021**

Related U.S. Application Data

- (62) Division of application No. 29/687,852, filed on Apr. 16, 2019, now Pat. No. Des. 911,137.
- (51) **LOC (13) Cl.** **08-05**
- (52) **U.S. Cl.**
USPC **D8/45**
- (58) **Field of Classification Search**
USPC D8/14, 90, 91, 92, 93, 107, 300; D6/601
CPC E04F 21/00; E04F 21/163; E04F 2/026;
B08B 1/005; B24B 15/023; B24B 15/04
See application file for complete search history.

(56) **References Cited**

U.S. PATENT DOCUMENTS

1,927,534 A	9/1933	Wooler
2,112,593 A	3/1938	Campbell
3,117,334 A	1/1964	Imhof
5,131,193 A	7/1992	Demers
5,268,672 A	12/1993	Kerr
5,337,523 A	8/1994	Walsh
D351,696 S	10/1994	Adolf
5,662,519 A	9/1997	Arnold

D386,058 S	11/1997	Schmidt
D451,778 S	12/2001	Wheeler
6,439,988 B1	8/2002	Long et al.
D462,597 S	9/2002	Deshler
6,544,113 B1	4/2003	Wheeler
D478,351 S	8/2003	Belton et al.

(Continued)

OTHER PUBLICATIONS

“7” Premium Wipe Down Knife”, website, TapeTech, on sale in the U.S. at least as early as Feb. 14, 2016, <https://www.tapetech.com/products/Premium-Finishing-Knives/7-Premium-Wipe-Down-Knife>, (2 pages).

Primary Examiner — Philip S Hyder

(74) *Attorney, Agent, or Firm* — Michael Best and Friedrich LLP

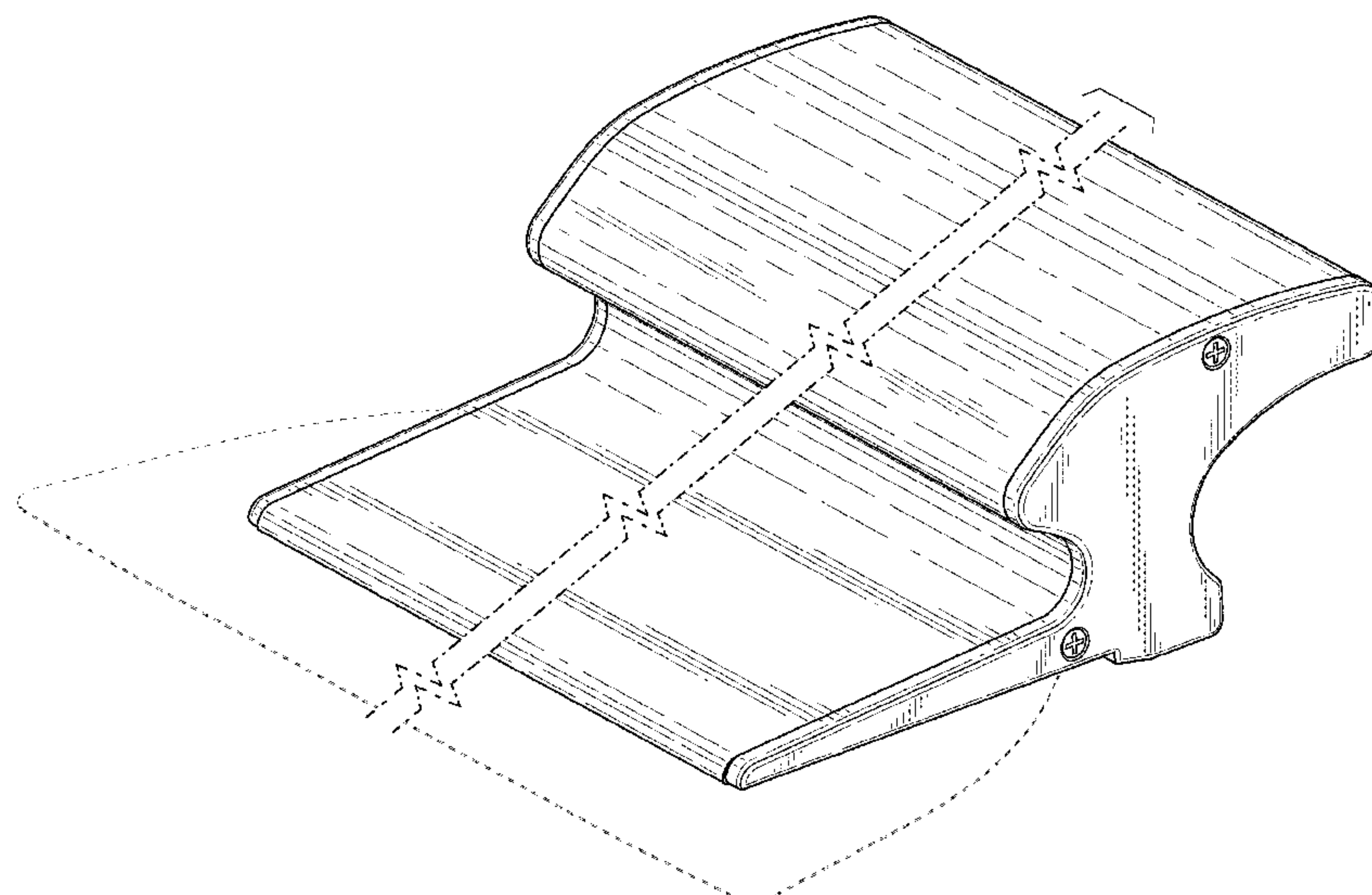
(57) **CLAIM**

We claim the ornamental design for a finishing knife, as shown and described.

DESCRIPTION

FIG. 1 is a front perspective view of a finishing knife in accordance with an embodiment of the present invention. FIG. 2 is a rear perspective view of the finishing knife of FIG. 1. FIG. 3 is a left side view of the finishing knife of FIG. 1. FIG. 4 is a right side view of the finishing knife of FIG. 1. FIG. 5 is a front view of the finishing knife of FIG. 1. FIG. 6 is a rear view of the finishing knife of FIG. 1. FIG. 7 is a top view of the finishing knife of FIG. 1; and, FIG. 8 is a bottom view of the finishing knife of FIG. 1. The portions of the finishing knife shown in broken lines are included for the purpose of illustrating environment and form no part of the claimed design. The portions of the finishing knife shown in broken lines having unequal length segments illustrate the boundary of the claimed design and form no part of the claimed design.

1 Claim, 7 Drawing Sheets



(56)

References Cited

U.S. PATENT DOCUMENTS

D539,111	S	3/2007	Cardew et al.
D552,760	S	10/2007	Seiling et al.
8,057,286	B2	11/2011	Walsh
9,234,358	B2	1/2016	Harper et al.
D750,099	S	2/2016	Seo et al.
D758,100	S	6/2016	Pham
2019/0024391	A1	1/2019	Huang
2020/0189089	A1	6/2020	Chin-Chen

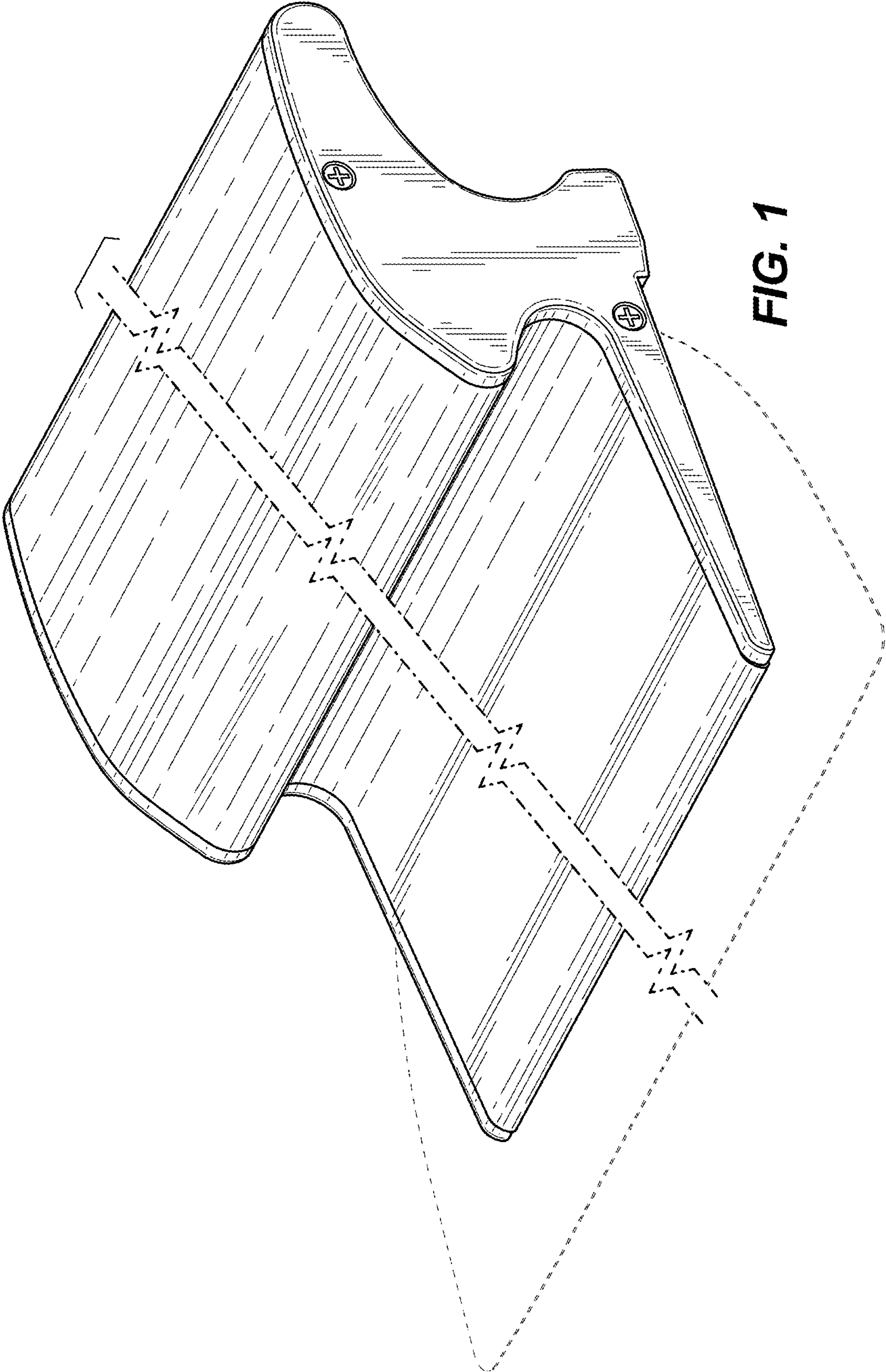


FIG. 1

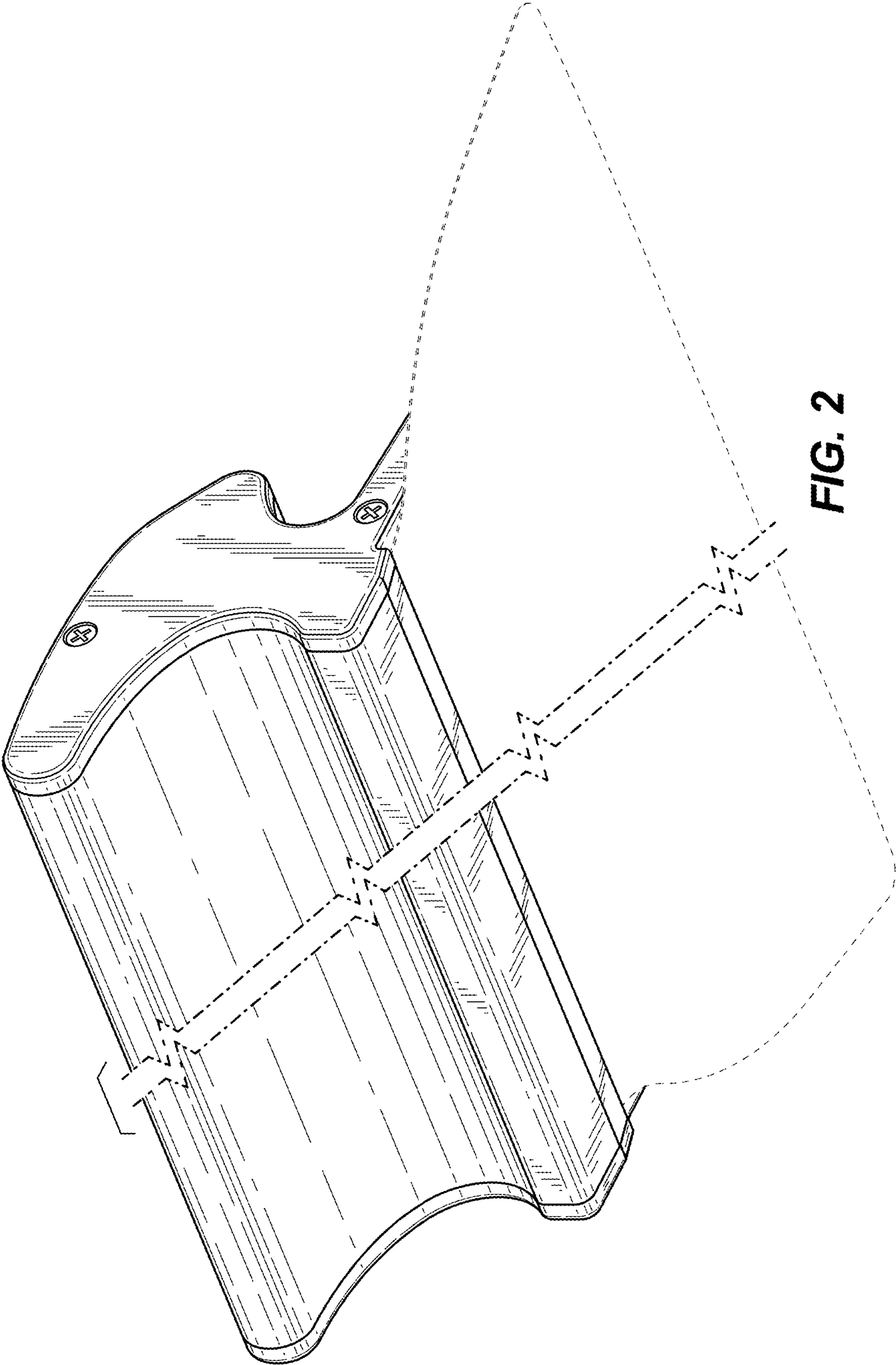


FIG. 2

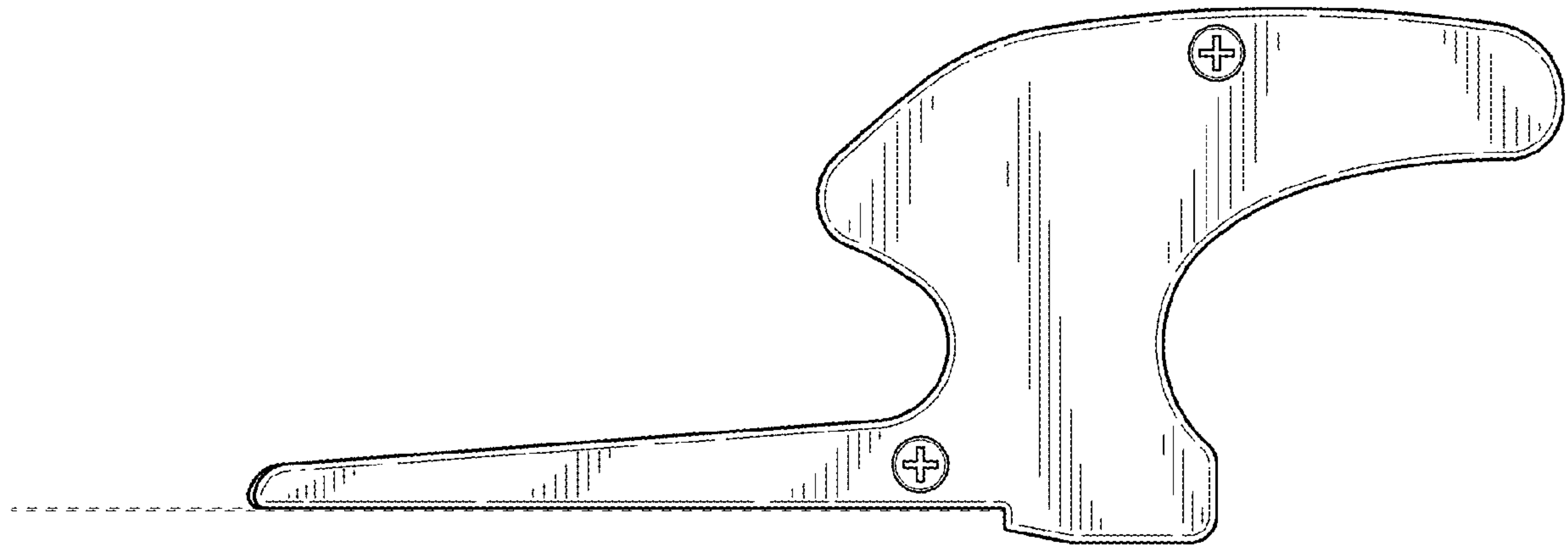


FIG. 3

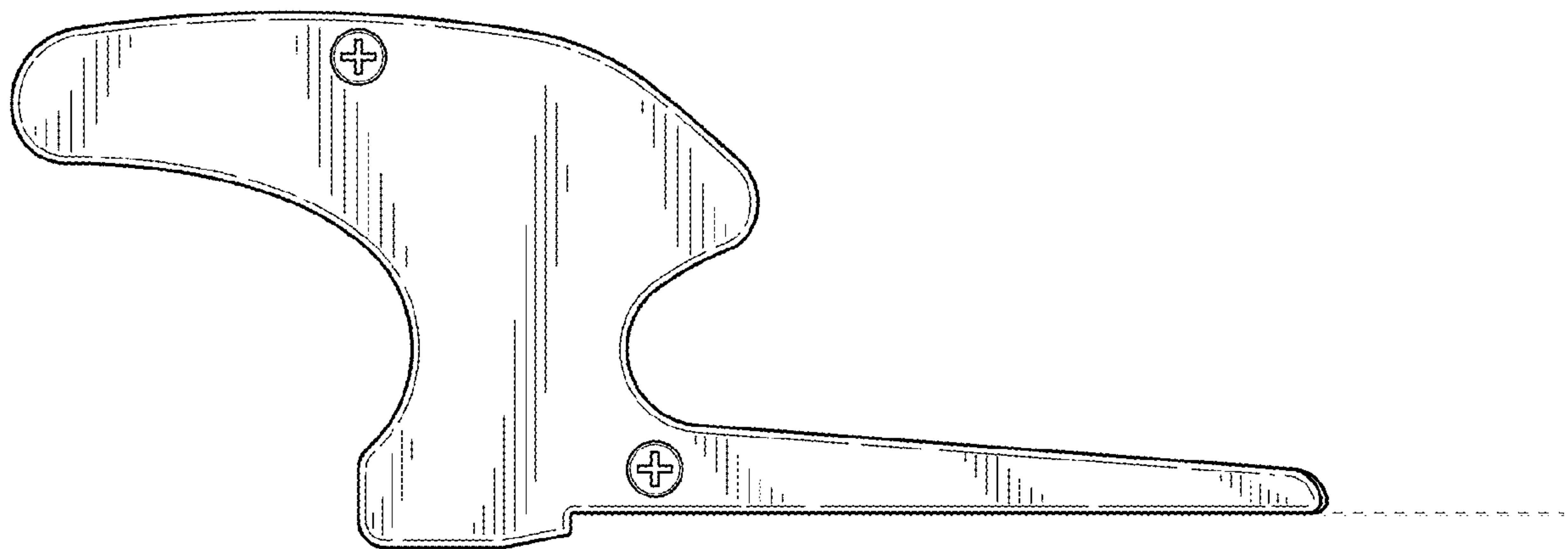


FIG. 4

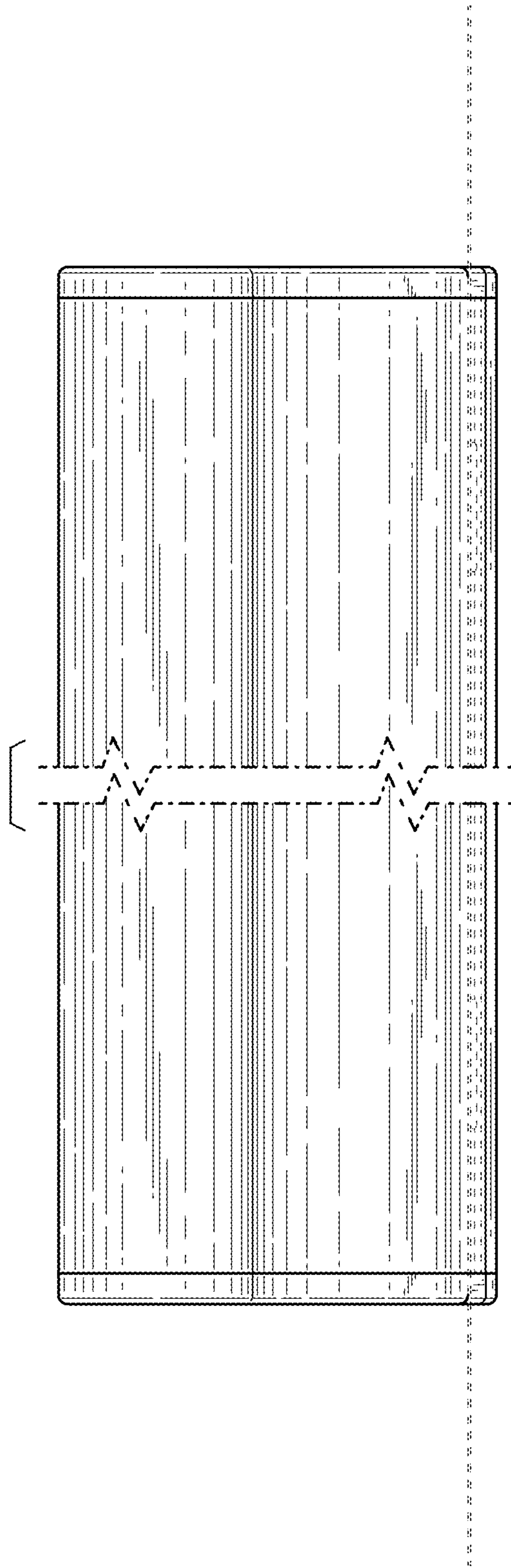


FIG. 5

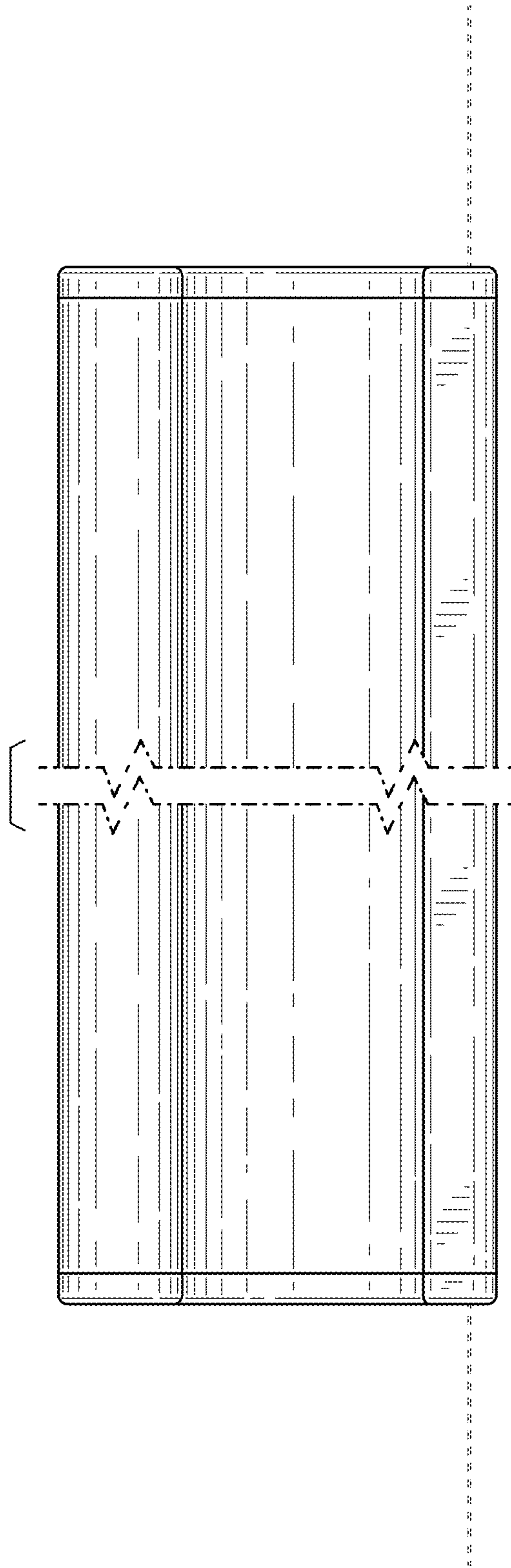


FIG. 6

