



US00D927273S

(12) **United States Design Patent**  
**Boyce et al.**

(10) **Patent No.:** **US D927,273 S**

(45) **Date of Patent:** **\*\* Aug. 10, 2021**

(54) **RAPID DRAIN TOOL**

(71) Applicant: **Government of the United States, as Represented by the Secretary of the Air Force**, Wright-Patterson AFB, OH (US)

(72) Inventors: **Matthew W Boyce**, Valdosta, GA (US); **Ian Marietti**, Valdosta, GA (US)

(73) Assignee: **United States of America as represented by the Secretary of the Air Force**, Wright-Patterson AFB, OH (US)

(\*\*) Term: **15 Years**

(21) Appl. No.: **29/751,506**

(22) Filed: **Sep. 22, 2020**

(51) **LOC (13) Cl.** ..... **08-05**

(52) **U.S. Cl.**  
USPC ..... **D8/14**

(58) **Field of Classification Search**  
USPC ..... D8/14; D23/233, 262  
CPC ..... G01N 9/00; G01N 9/12; G01N 33/22  
See application file for complete search history.

(56) **References Cited**

**U.S. PATENT DOCUMENTS**

D399,793 S \* 10/1998 Lee ..... D12/114  
D662,528 S \* 6/2012 Brown ..... D15/136

8,757,591 B1 \* 6/2014 Attanasio ..... B64C 1/1453  
251/251  
D766,708 S \* 9/2016 Summers ..... F16B 5/00  
D8/382  
D861,758 S \* 10/2019 Severance, Jr. .... D15/144  
2016/0069513 A1 \* 3/2016 Knoll ..... F16N 31/00  
137/15.14

\* cited by examiner

*Primary Examiner* — Philip S Hyder

(74) *Attorney, Agent, or Firm* — AFMCLO/JAZ; Timothy M. Barlow

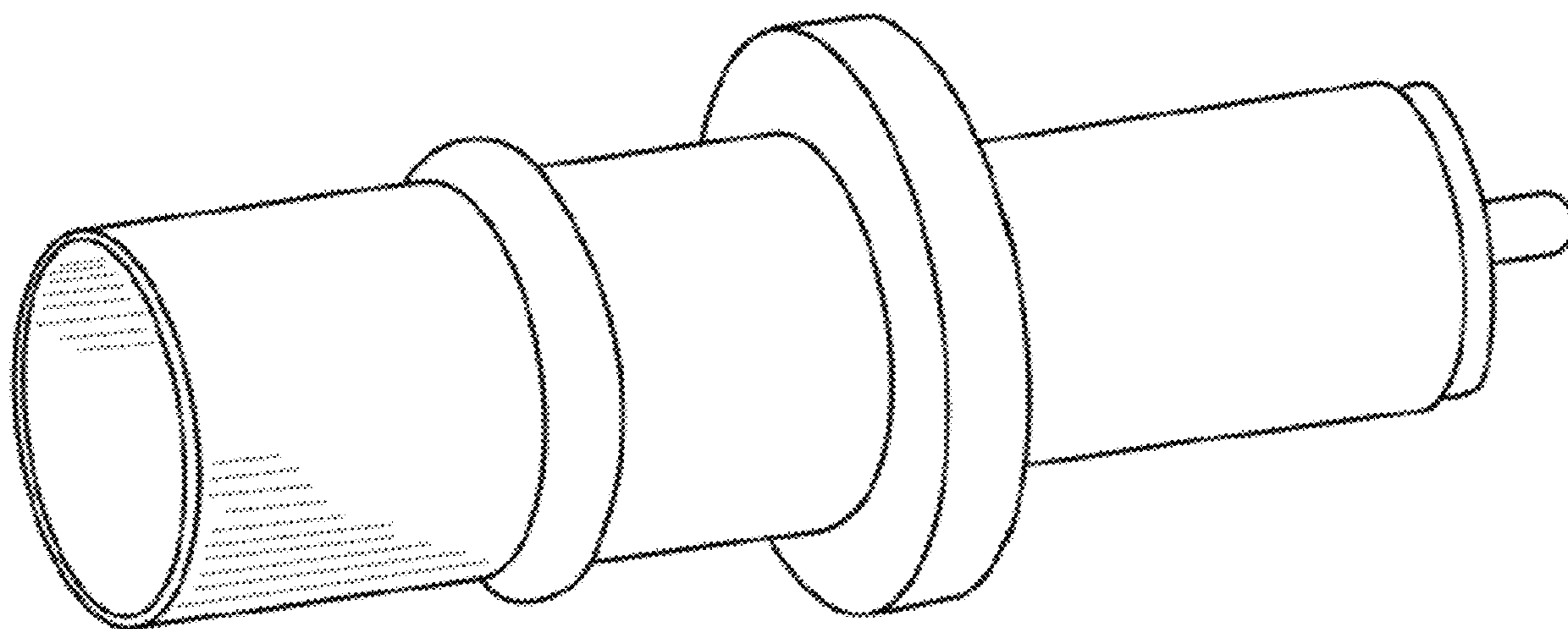
(57) **CLAIM**

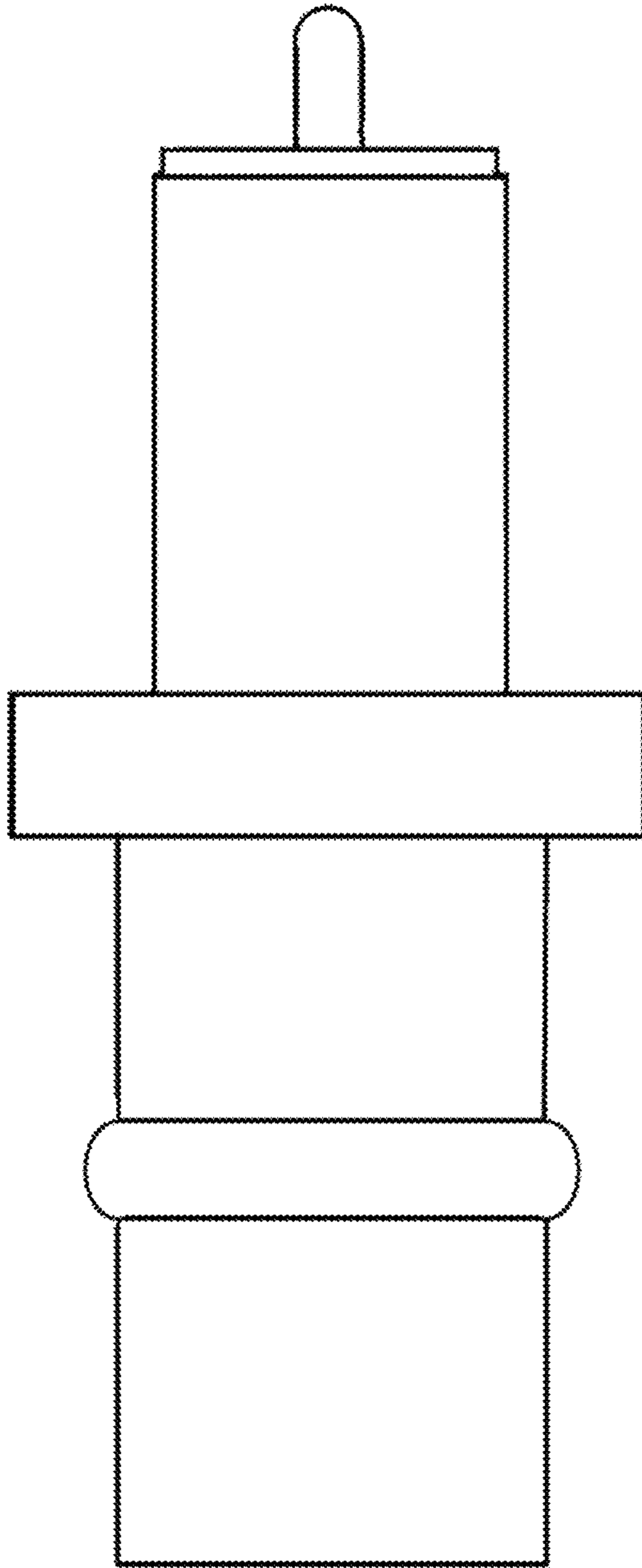
The ornamental design for a rapid drain tool, as shown and described.

**DESCRIPTION**

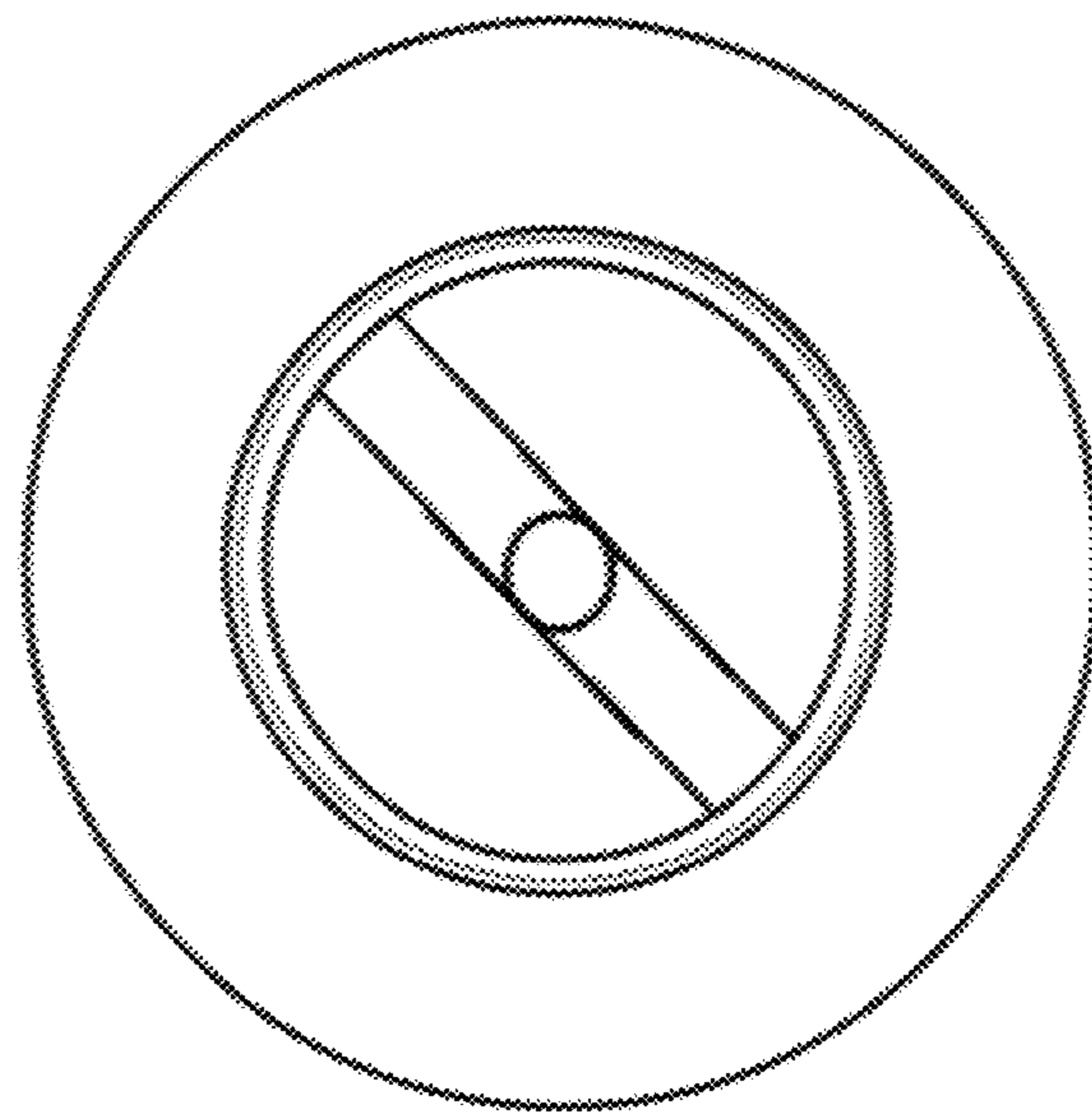
FIG. 1 is a side view of a rapid drain tool;  
FIG. 2 is a top view of a rapid drain tool;  
FIG. 3 is a bottom view of a rapid drain tool, with a view through the center;  
FIG. 4 is a bottom perspective view of a rapid drain tool; and,  
FIG. 5 is an elevated perspective view of a rapid drain tool.

**1 Claim, 5 Drawing Sheets**

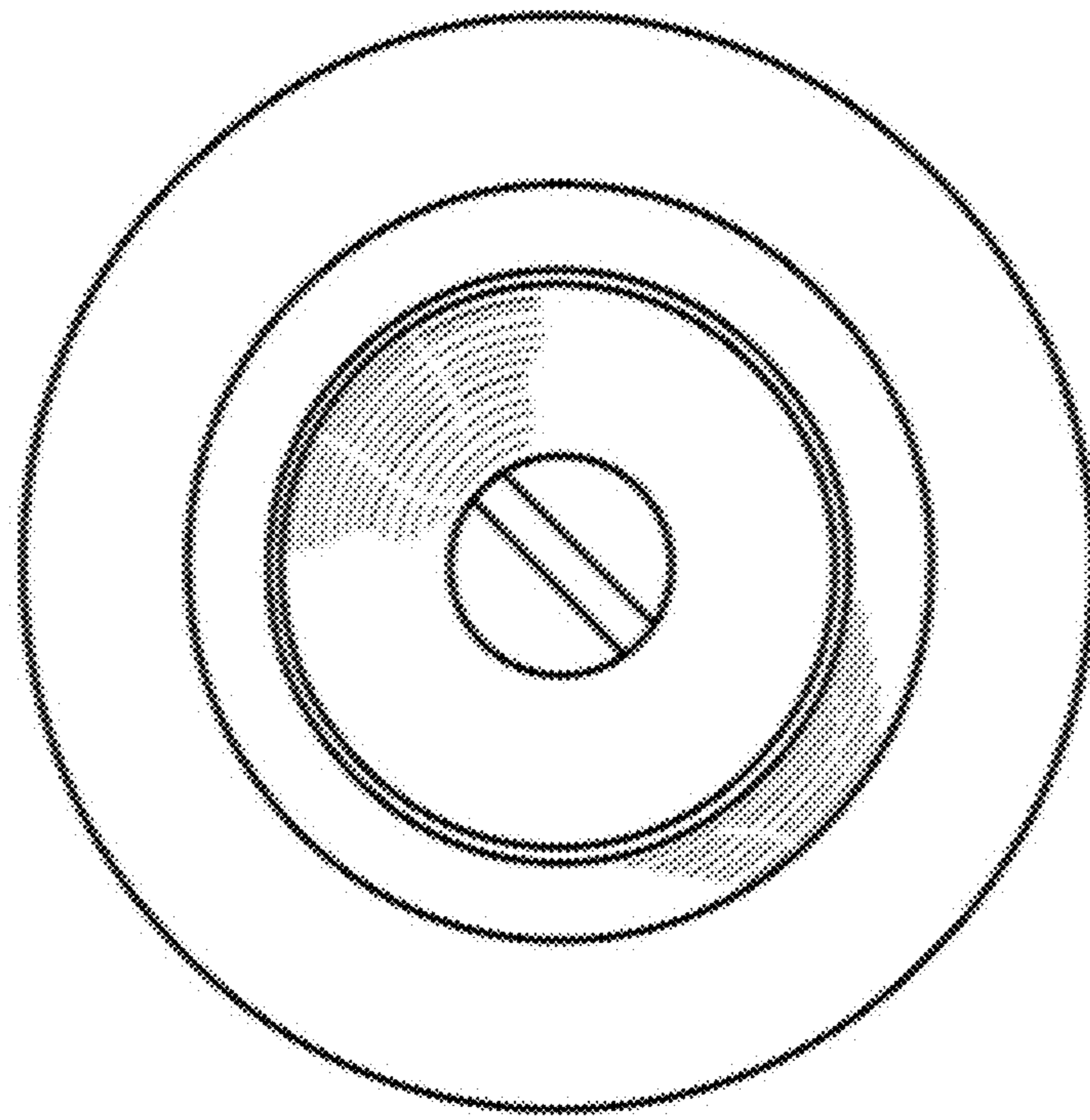




**FIG. 1**



**FIG. 2**



**FIG. 3**

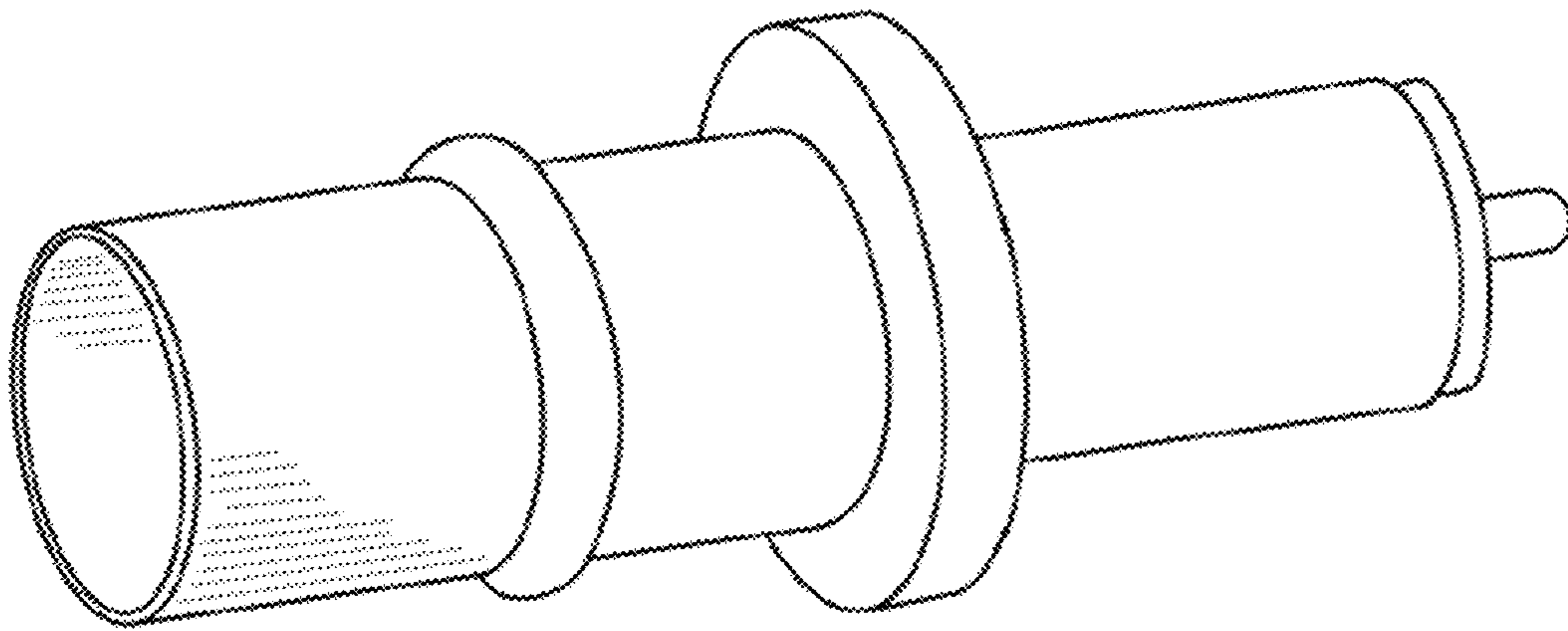


FIG. 4

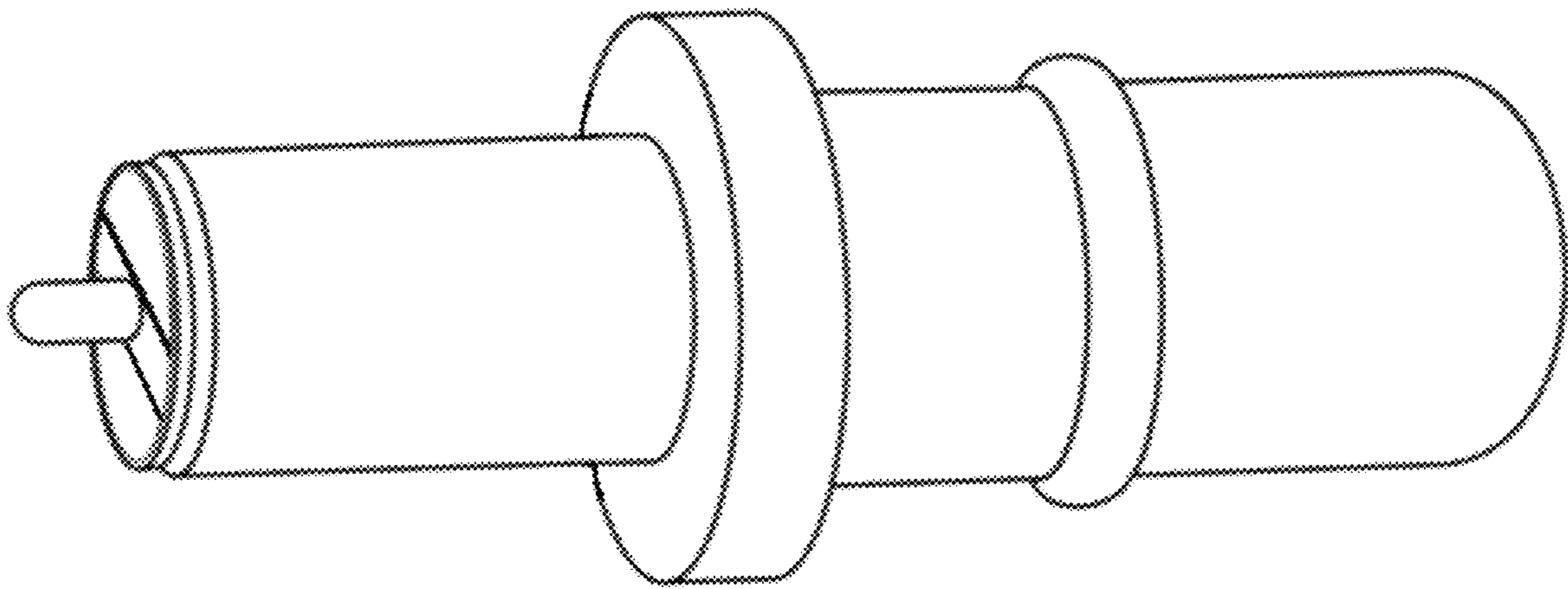


FIG. 5