



US00D927272S

(12) **United States Design Patent**
Tian et al.

(10) **Patent No.:** **US D927,272 S**
(45) **Date of Patent:** **** Aug. 10, 2021**

(54) **TUB DRAIN REMOVAL TOOL**
(71) Applicant: **JPJ INVESTMENT HOLDING CORP.**, Covina, CA (US)
(72) Inventors: **Yeqing Tian**, Shanghai (CN); **Jonathan S. Beckwith**, Raleigh, NC (US)
(73) Assignee: **OLYMPIA TOOLS INTERNATIONAL, INC.**, Covina, CA (US)
(**) Term: **15 Years**
(21) Appl. No.: **29/724,673**
(22) Filed: **Feb. 18, 2020**
(30) **Foreign Application Priority Data**

Aug. 22, 2019 (CN) 201930458650.4

(51) **LOC (13) Cl.** **08-05**
(52) **U.S. Cl.**
USPC **D8/14; D15/139**
(58) **Field of Classification Search**
USPC D8/14, 47, 70, 82, 86; D15/139
CPC B25B 23/0035; B25B 23/0042; B25B 15/001; B25B 15/003; B25B 15/005; B25B 15/002; B25B 15/008; B25B 15/004; B25B 15/02; B25B 15/04; B25B 17/00; B25B 27/18
See application file for complete search history.

(56) **References Cited**
U.S. PATENT DOCUMENTS
1,682,999 A * 9/1928 Tenney F16H 59/04 74/473.1
1,687,727 A * 10/1928 Judge B25B 27/18 81/53.2

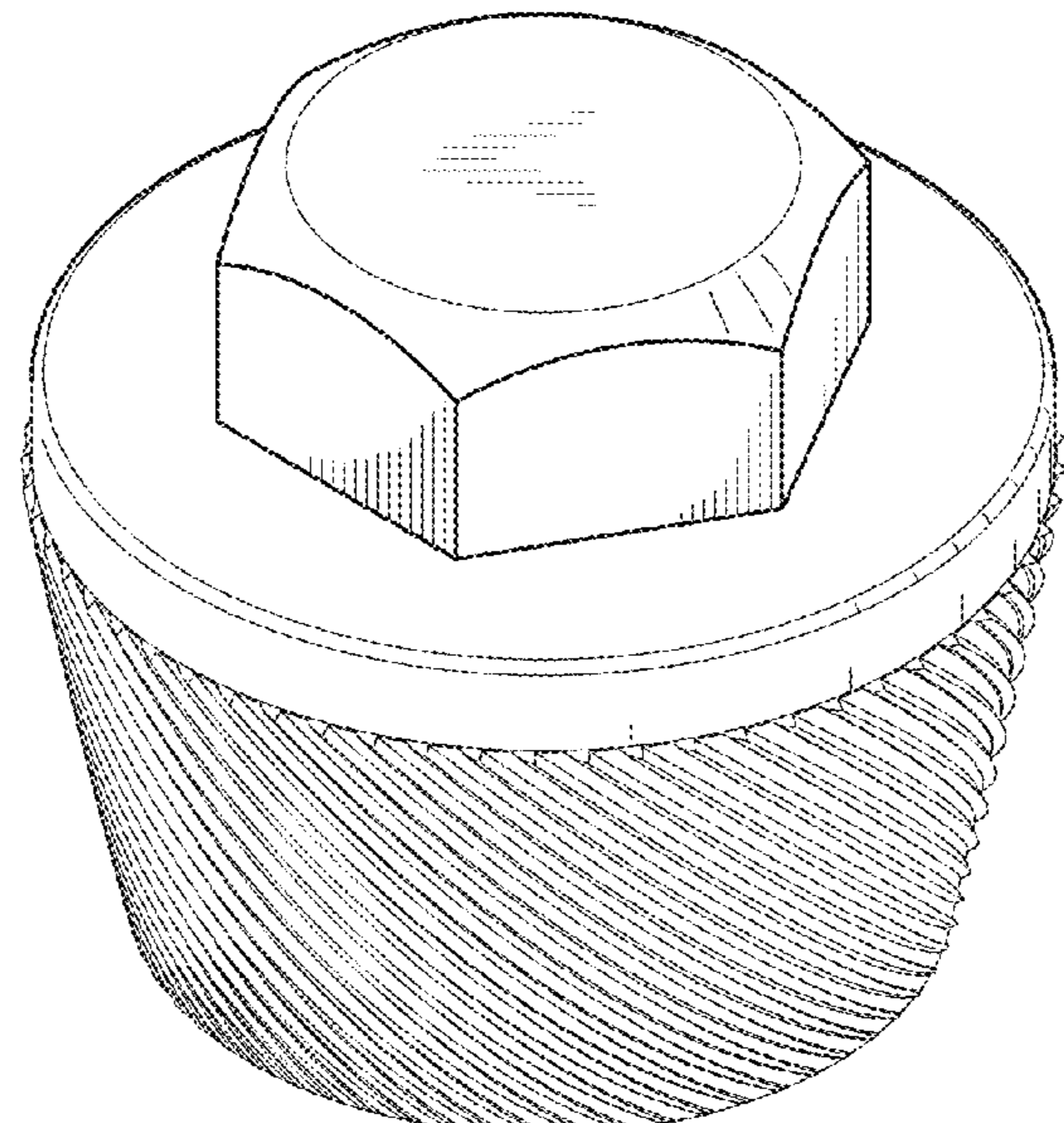
2,518,116 A * 8/1950 Bete B05B 1/262 239/501
D249,322 S * 9/1978 Diffenderfer D8/14
5,031,487 A * 7/1991 Polonsky B25B 27/18 81/53.2
5,251,516 A * 10/1993 Desaulniers B25B 27/18 81/53.2
6,282,999 B1 * 9/2001 Hite B25B 13/48 411/55
8,621,962 B1 * 1/2014 Stadnyk 81/52
D712,221 S 9/2014 Kovach
9,839,995 B2 12/2017 Kovach
D853,212 S * 7/2019 Whited D8/14
2004/0255727 A1 * 12/2004 Kovach B25B 13/48 81/176.15
2016/0279772 A1 * 9/2016 Woods, I B25B 27/18
* cited by examiner

Primary Examiner — Philip S Hyder
(74) *Attorney, Agent, or Firm* — Patterson + Sheridan, LLP

(57) **CLAIM**
The ornamental design for a tub drain removal tool, as shown and described.

DESCRIPTION
FIG. 1 is a top left front perspective view of a tub drain removal tool showing our new design, which is identical to a top right rear perspective view thereof;
FIG. 2 is a bottom left front perspective view thereof, which is identical to a bottom right rear perspective view thereof;
FIG. 3 is a front elevational view thereof, which is identical to a rear elevational view thereof;
FIG. 4 is a left side elevational view thereof, which is identical to a right side elevational view thereof;
FIG. 5 is a top plan view thereof; and,
FIG. 6 is a bottom plan view thereof.
The portions of the tub drain removal tool shown in broken lines form no part of the claimed design.

1 Claim, 3 Drawing Sheets



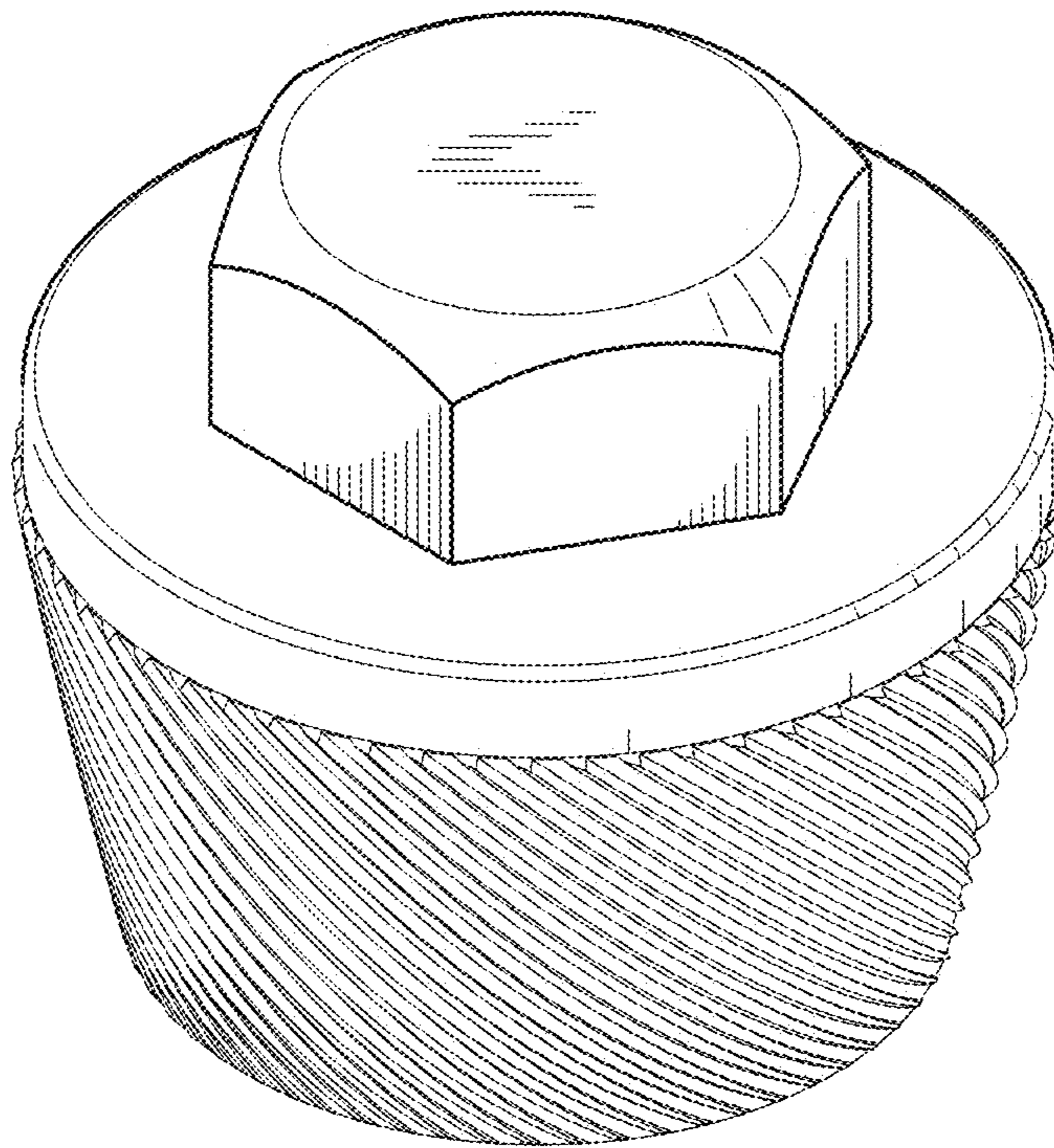


FIG. 1

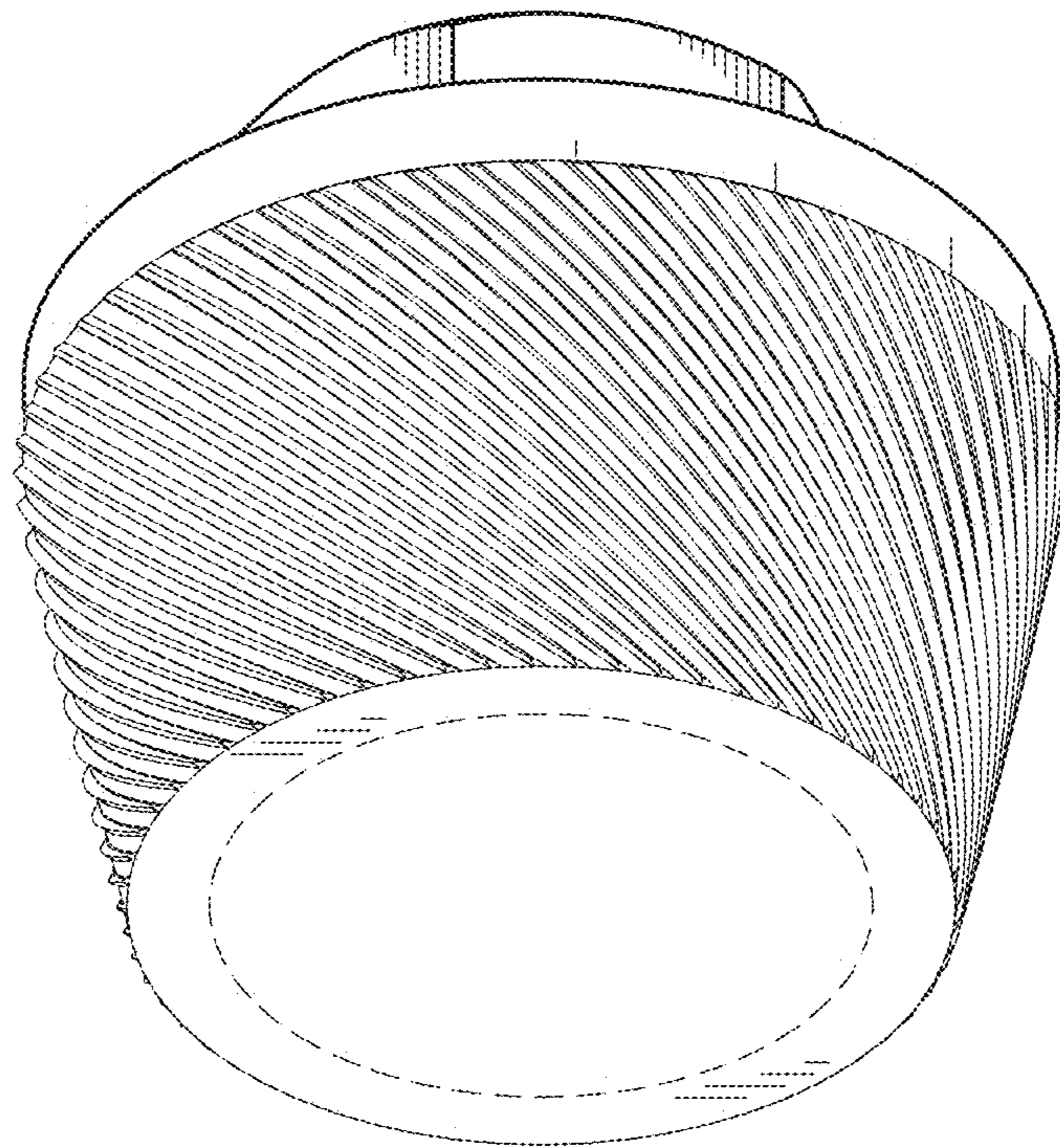


FIG. 2

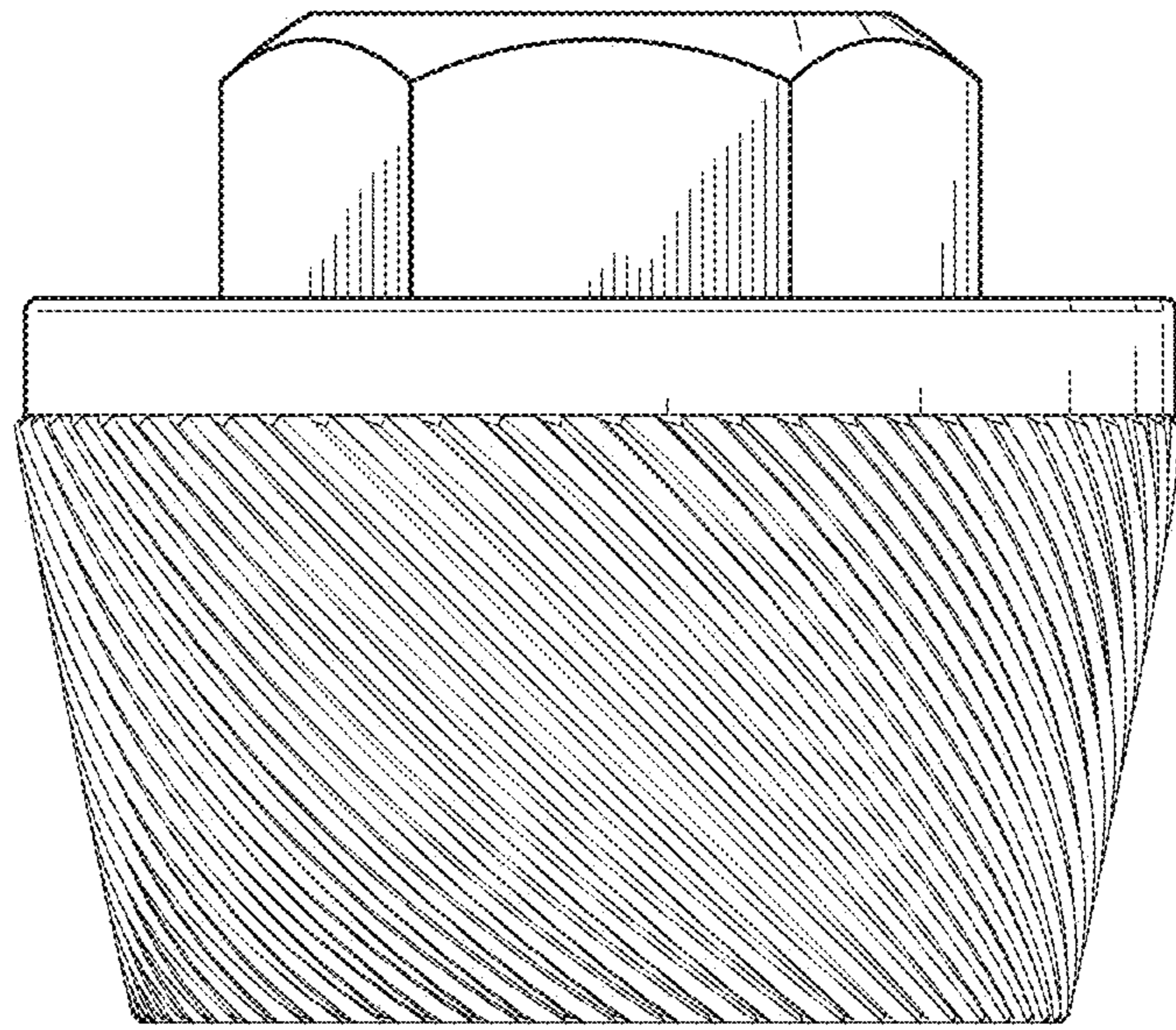


FIG. 3

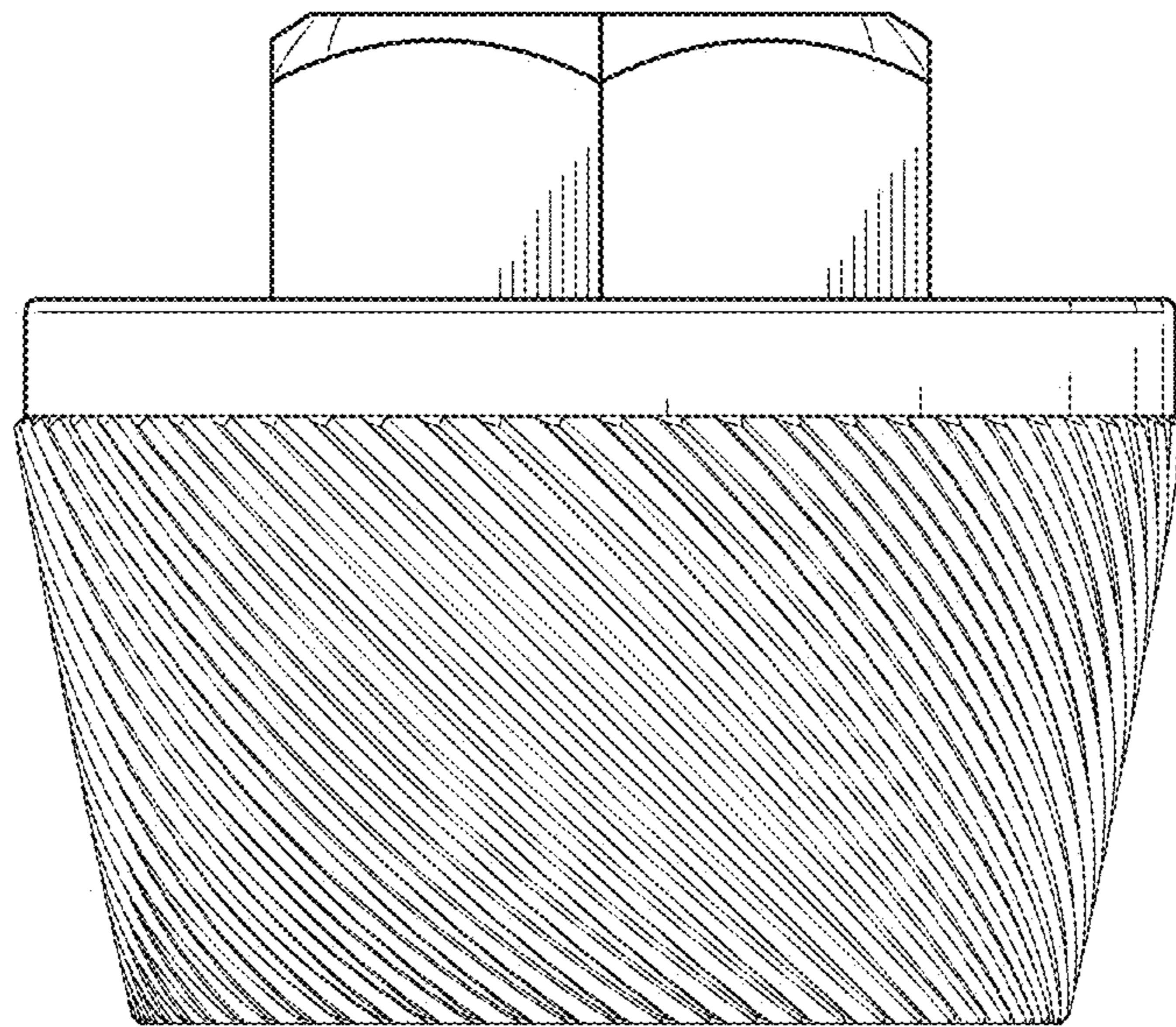


FIG. 4

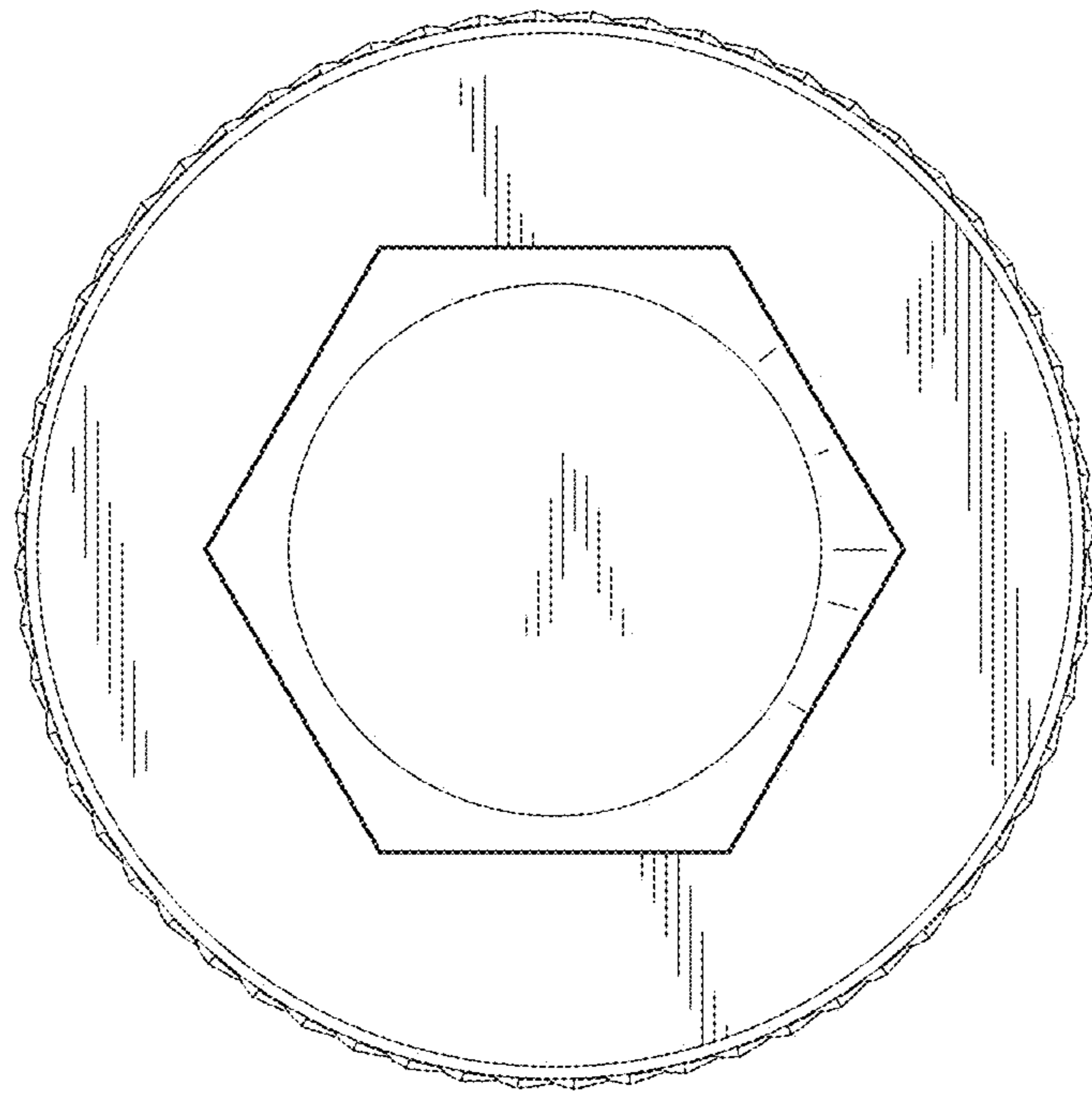


FIG. 5

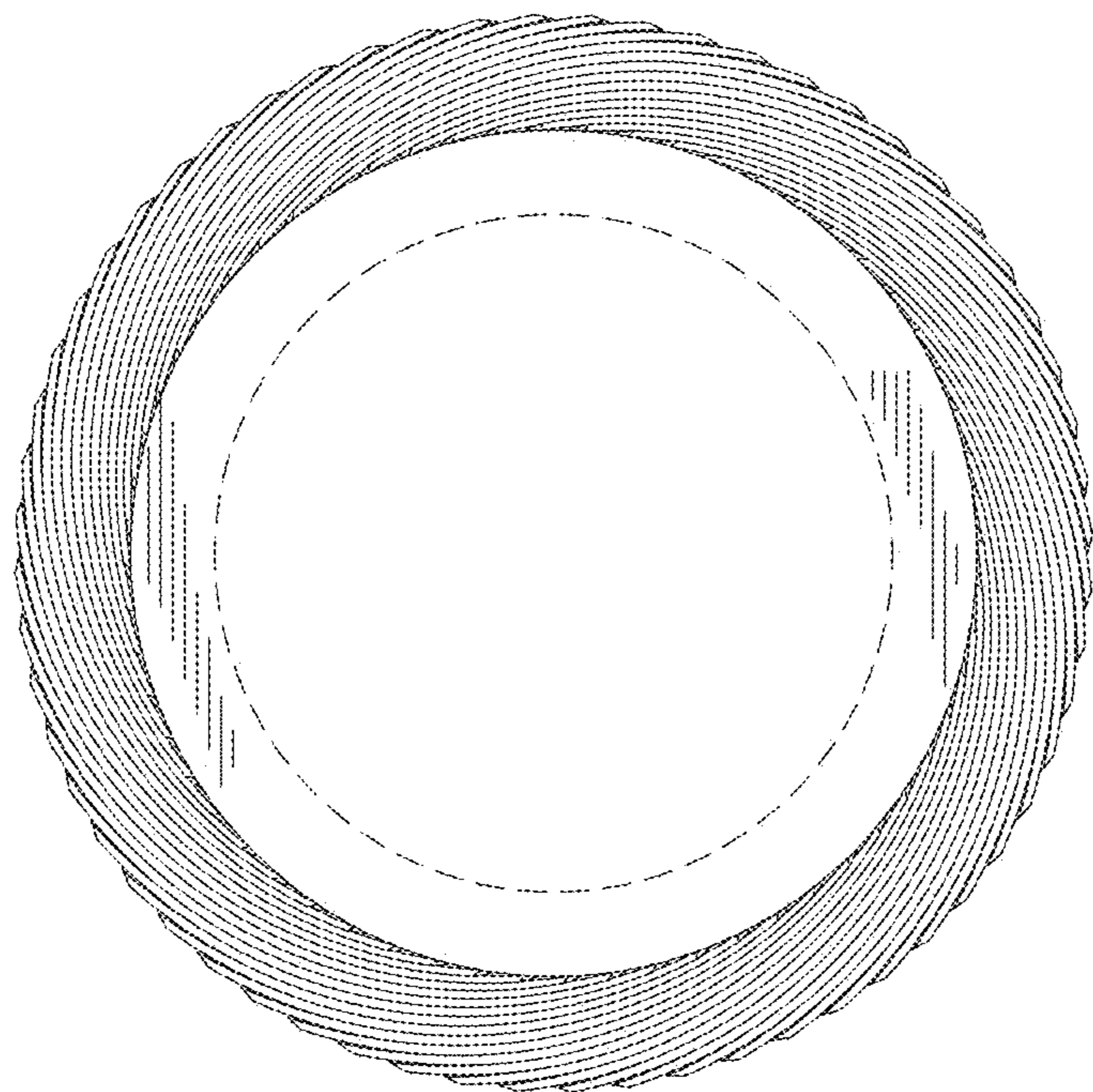


FIG. 6