



US00D927271S

(12) **United States Design Patent** (10) **Patent No.:** **US D927,271 S**
Herr (45) **Date of Patent:** **** Aug. 10, 2021**

(54) **BREACHING HEAD**
(71) Applicant: **J&N Tactical LLC**, South Haven, MN (US)
(72) Inventor: **Jeffrey Herr**, South Haven, MN (US)
(73) Assignee: **J&N TACTICAL LLC**, South Haven, MN (US)
(**) Term: **15 Years**
(21) Appl. No.: **29/650,265**
(22) Filed: **Jun. 5, 2018**
(51) **LOC (13) Cl.** **08-05**
(52) **U.S. Cl.**
USPC **D8/14**
(58) **Field of Classification Search**
USPC D8/14, 81, 388, 389, 391; D22/107
CPC A62B 3/00; A62B 3/005; F42B 6/08
See application file for complete search history.

6,267,354 B1 * 7/2001 Stephen B66F 19/00
254/93 R
D570,655 S * 6/2008 Meagher D8/14
D580,732 S * 11/2008 Meagher D8/107
D589,769 S * 4/2009 Timm D8/14
D695,088 S * 12/2013 Trice D8/81
D726,520 S * 4/2015 Trice D8/81
D755,024 S * 5/2016 Esty D8/14
D795,668 S * 8/2017 Poulos D8/81
10,696,470 B2 * 6/2020 Herr F41H 9/04
2010/0170688 A1 * 7/2010 Delia B25D 1/14
173/90
2010/0299942 A1 * 12/2010 Simo F42B 6/08
30/355
2012/0137832 A1 * 6/2012 Herr A62B 3/005
81/26

(Continued)

Primary Examiner — Sandra Snapp
Assistant Examiner — Ieisha N Price
(74) *Attorney, Agent, or Firm* — Hamre, Schumann, Mueller & Larson, P.C.

(57) **CLAIM**

The ornamental design for a breaching head, as shown and described.

(56) **References Cited**

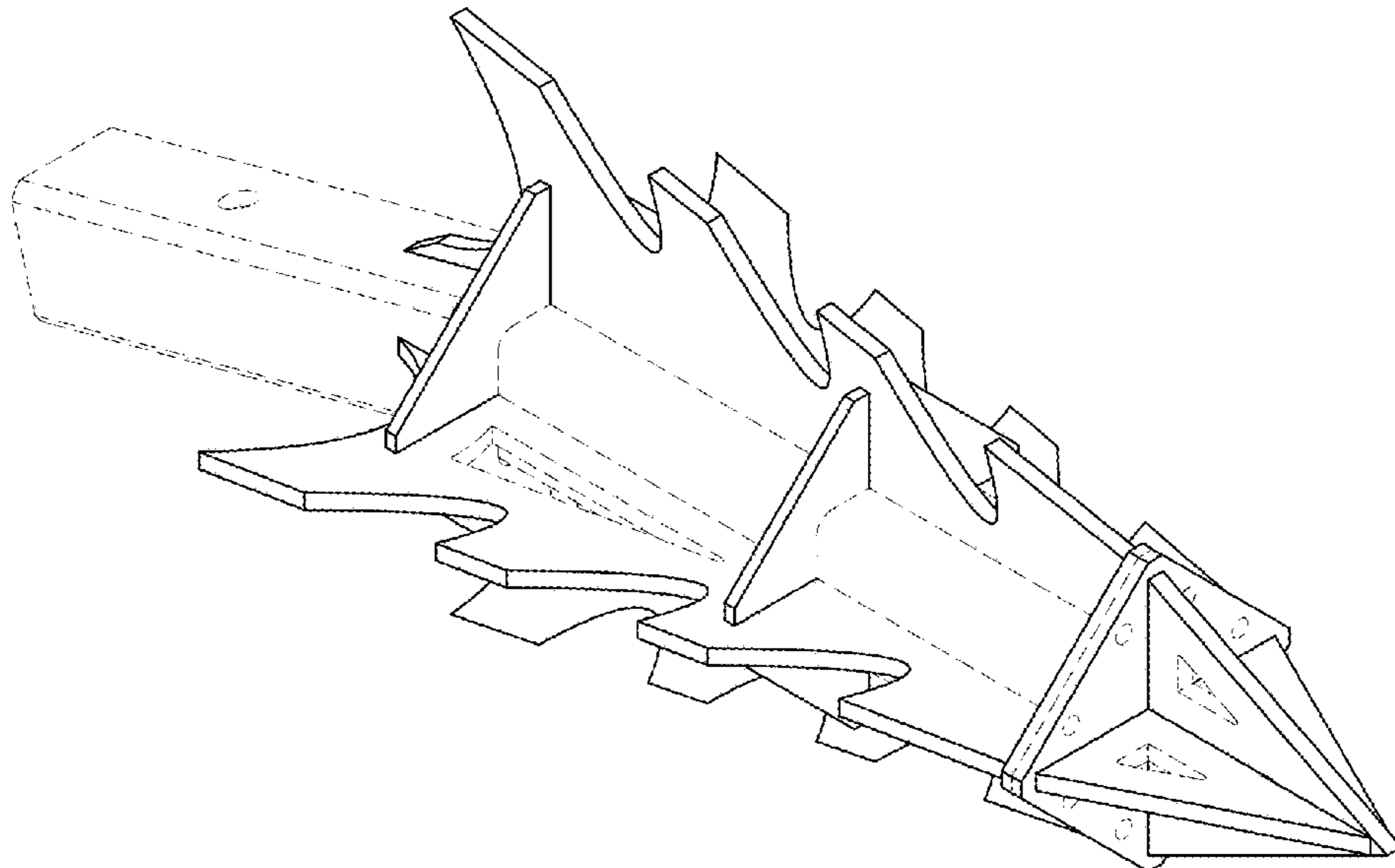
U.S. PATENT DOCUMENTS

D209,283 S * 11/1967 Smith D22/115
4,299,347 A * 11/1981 Rougier B22D 31/00
225/97
4,807,889 A * 2/1989 Johnson F42B 6/08
473/584
D305,718 S * 1/1990 Ashcraft D8/14
D314,416 S * 2/1991 Rezmer D22/115
5,067,237 A * 11/1991 Holder A62B 3/005
30/1
D326,889 S * 6/1992 Garoutte D22/115
5,167,043 A * 12/1992 Lopez A62B 3/005
173/132
5,192,081 A * 3/1993 Cooper F42B 6/08
30/304
D351,891 S * 10/1994 Tinsley D22/115
5,810,333 A * 9/1998 Hickerson A62B 3/005
254/133 R

DESCRIPTION

FIG. 1 is a front perspective view of a breaching head showing our new design;
FIG. 2 is a rear perspective view thereof;
FIG. 3 is a left view thereof;
FIG. 4 is a right view thereof;
FIG. 5 is a rear view thereof;
FIG. 6 is a front view thereof;
FIG. 7 is a top view thereof; and,
FIG. 8 is a bottom view thereof.
The broken lines in the drawings illustrate portions of the breaching head and form no part of the claimed design.

1 Claim, 7 Drawing Sheets



(56)

References Cited

U.S. PATENT DOCUMENTS

2012/0272459 A1* 11/2012 Trice B25F 1/00
7/144

* cited by examiner

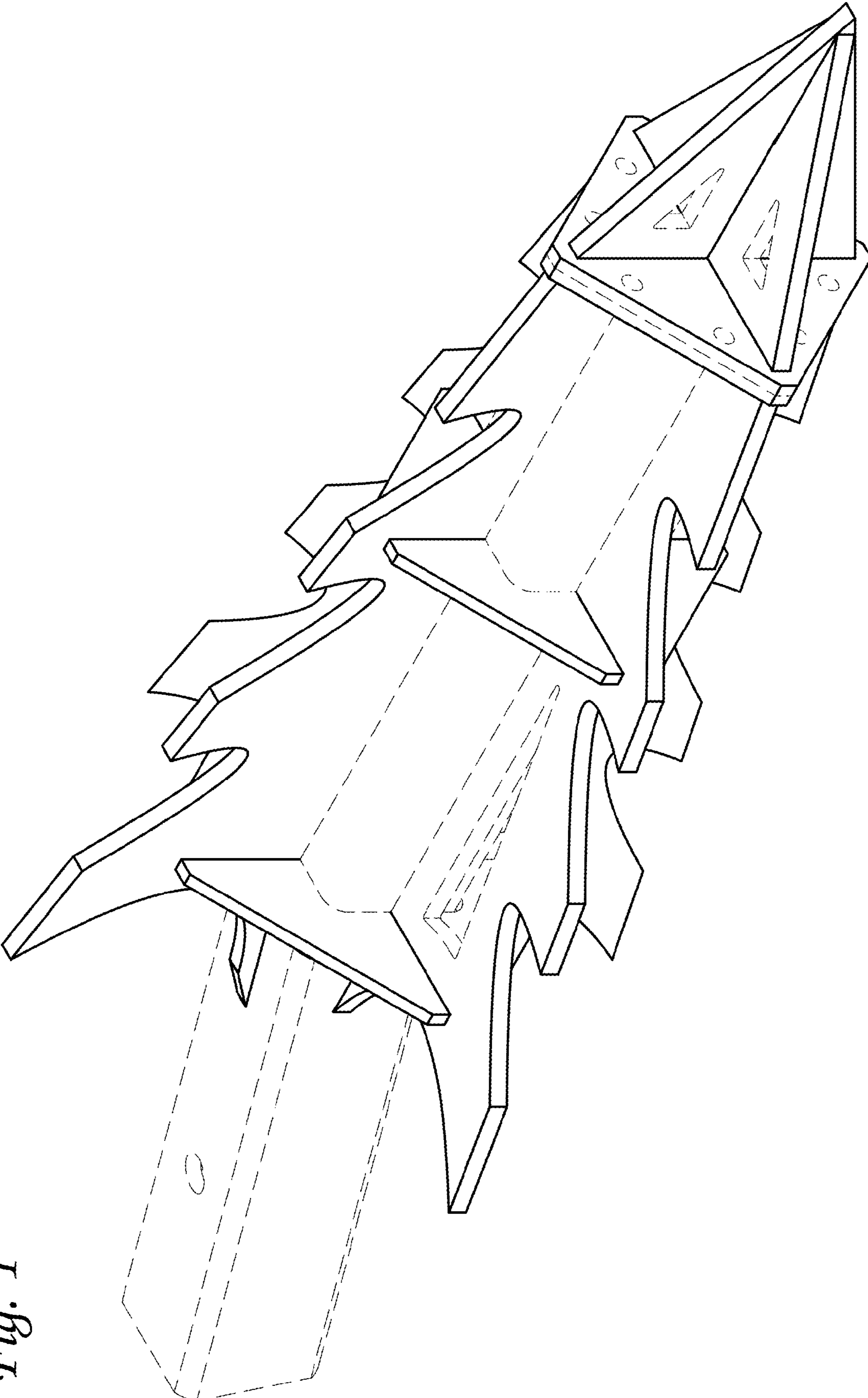


Fig. 1

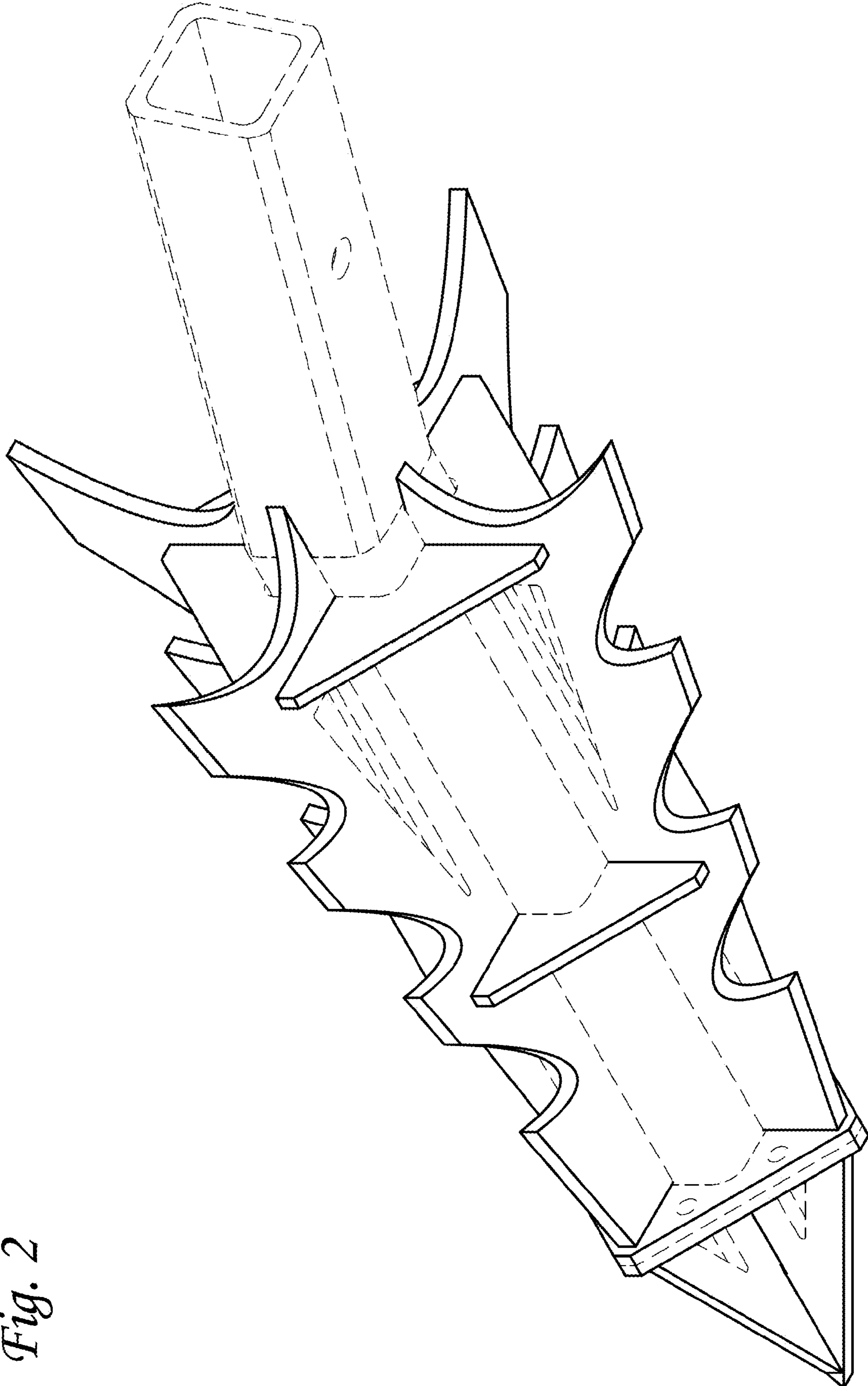


Fig. 2

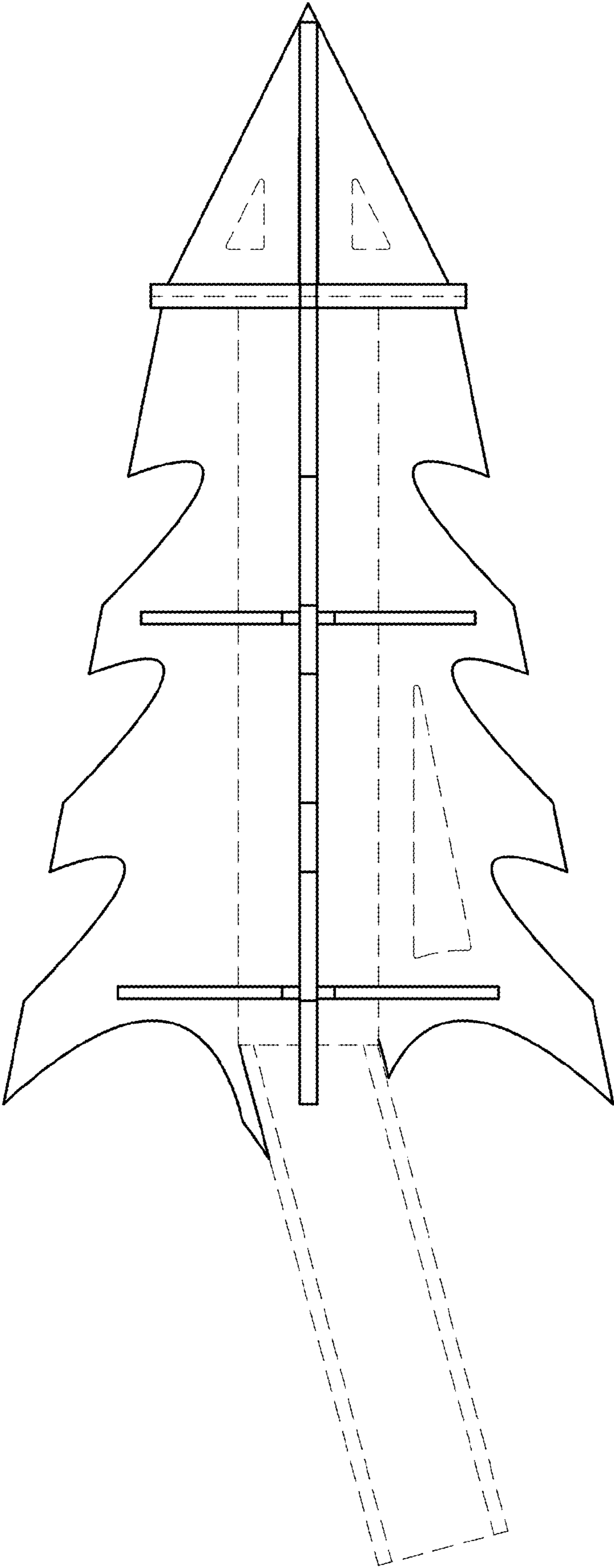


Fig. 3

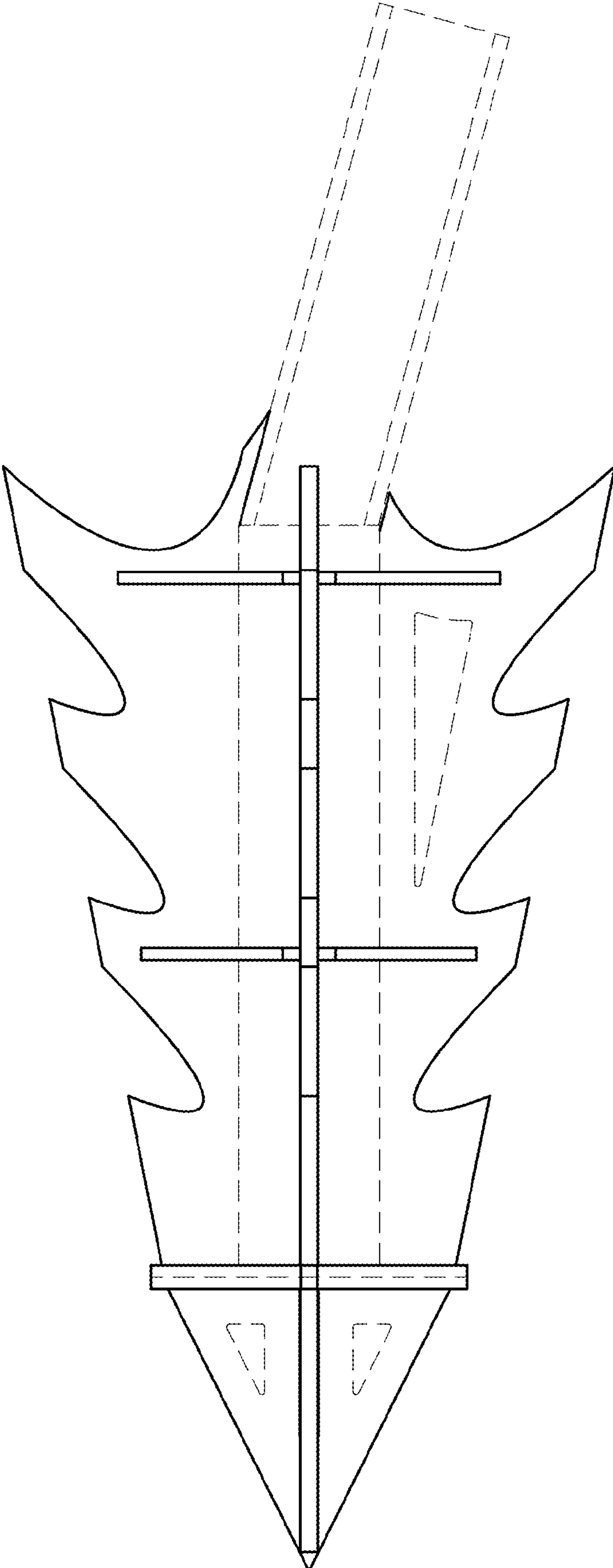


Fig. 4

Fig. 6

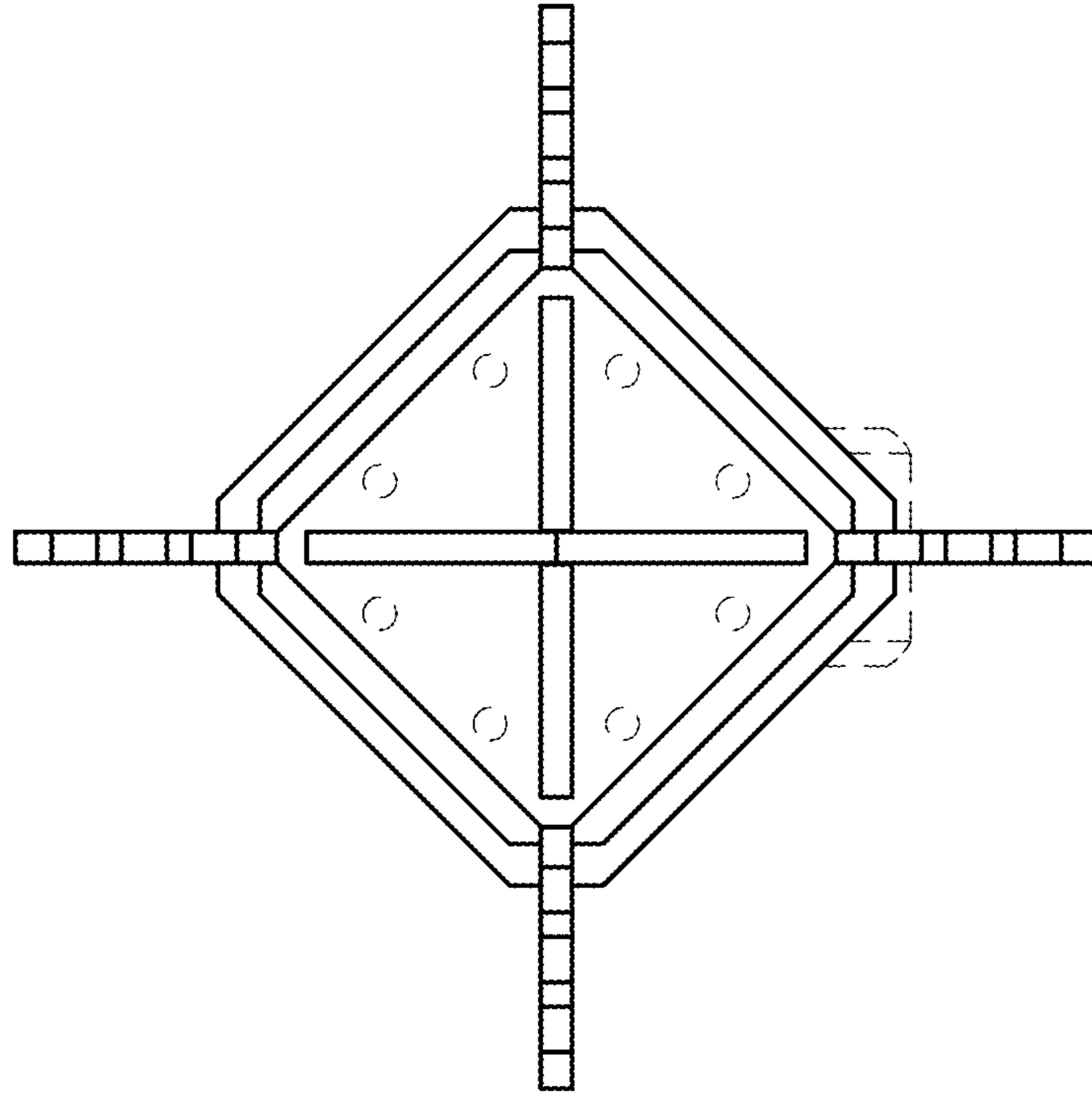
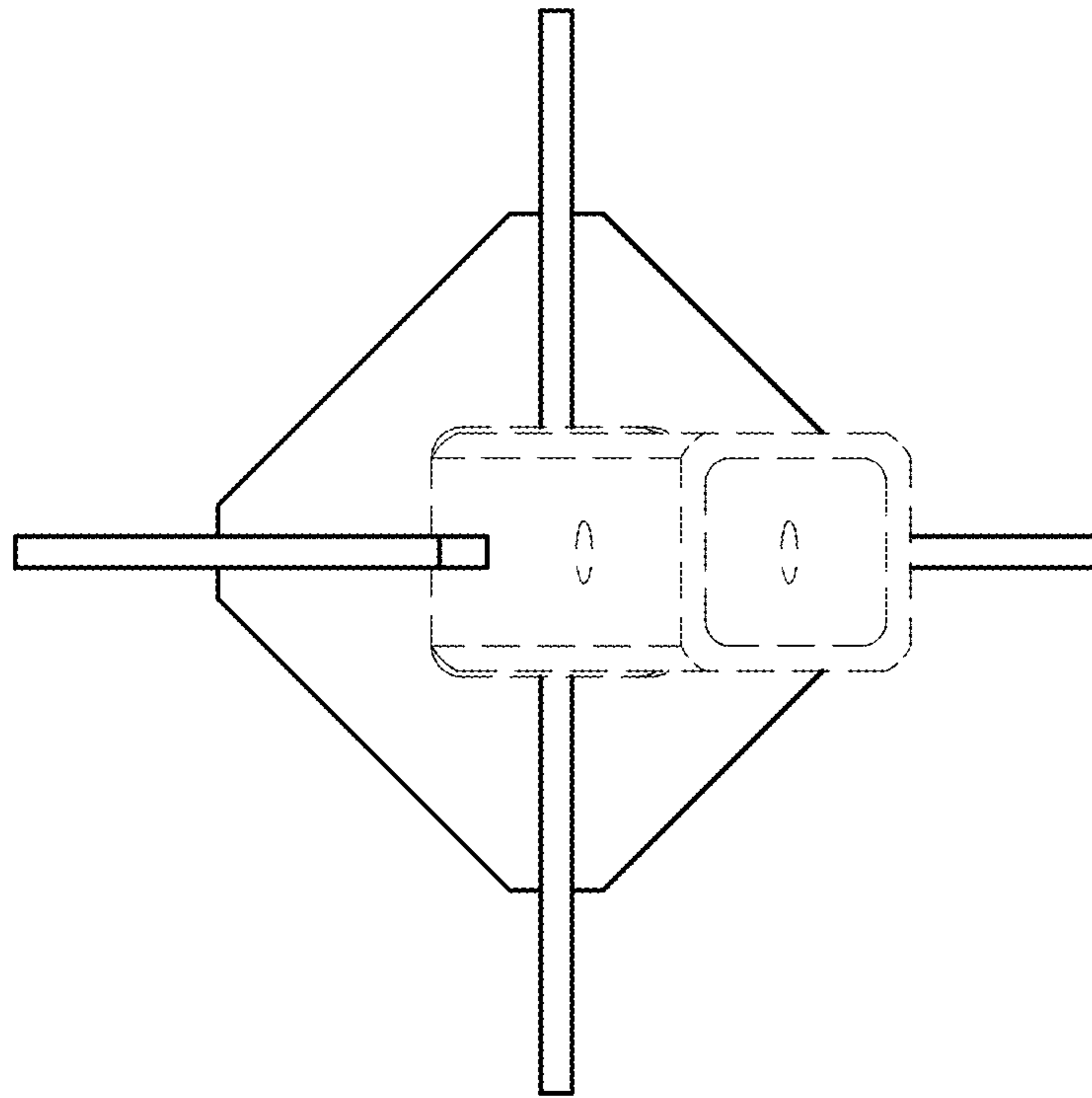


Fig. 5



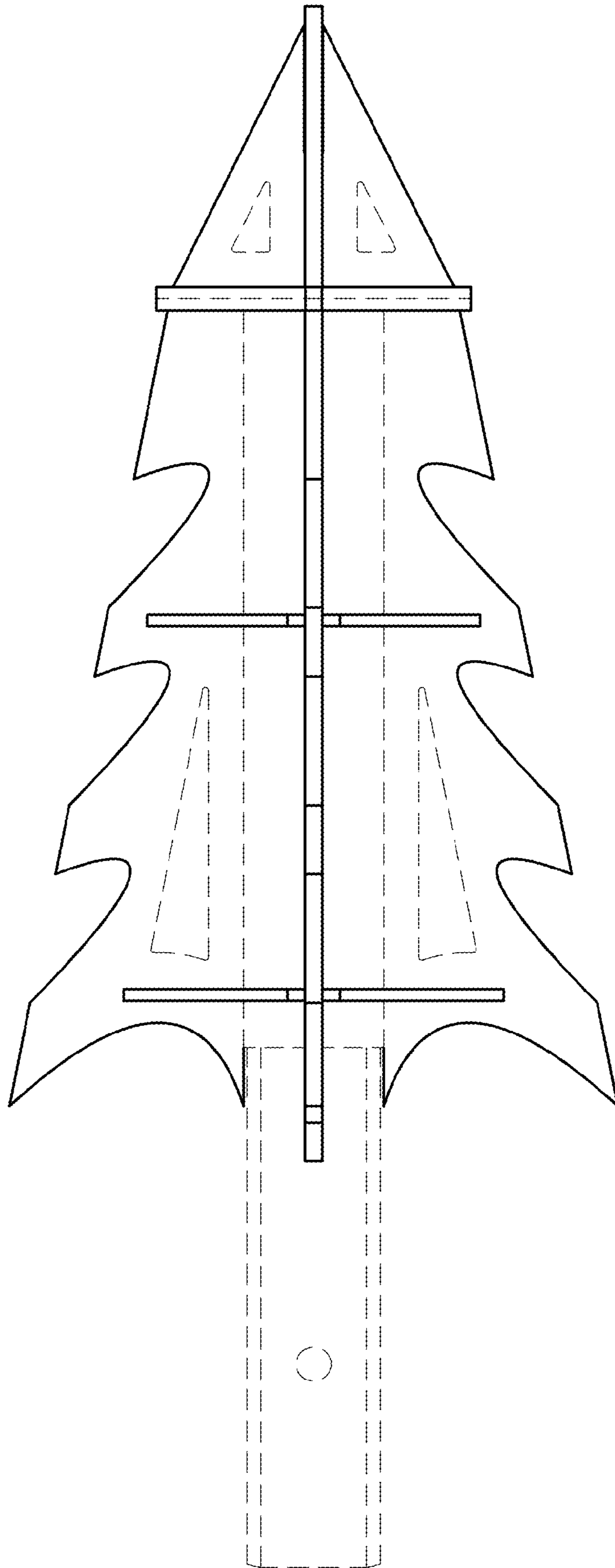


Fig. 7

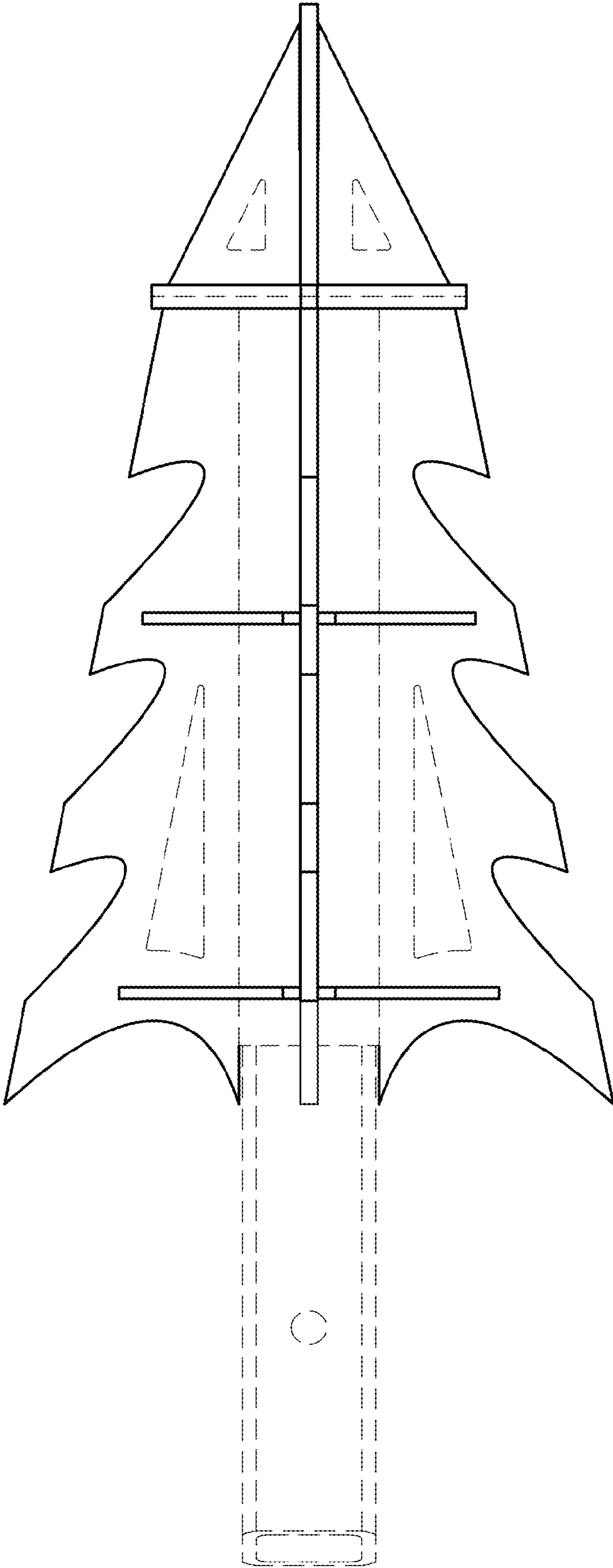


Fig. 8