



US00D927270S

(12) **United States Design Patent**  
**Tollefsrud**

(10) **Patent No.:** **US D927,270 S**  
(45) **Date of Patent:** **\*\* Aug. 10, 2021**

(54) **SPRINKLER SHOVEL**

(71) Applicant: **Shad Tollefsrud**, St. George, UT (US)

(72) Inventor: **Shad Tollefsrud**, St. George, UT (US)

(\*\*) Term: **15 Years**

(21) Appl. No.: **29/727,938**

(22) Filed: **Mar. 13, 2020**

(51) **LOC (13) Cl.** ..... **08-01**

(52) **U.S. Cl.**  
USPC ..... **D8/10; D8/1**

(58) **Field of Classification Search**  
USPC ..... D8/1, 10, 107  
CPC .. A01C 5/02; A01C 7/02; A01C 15/02; A01C  
21/002; A01B 1/022; A01G 25/02; B25F  
1/04

See application file for complete search history.

(56) **References Cited**

**U.S. PATENT DOCUMENTS**

74,231	A *	2/1868	Lawson	.....	A01C 7/02 111/95
2,164,373	A *	7/1939	Ayliffe	.....	A01C 5/02 294/50.6
2,352,320	A *	6/1944	Hatch	.....	A01G 20/30 294/50.6
2,378,459	A *	6/1945	Beardsley	.....	A01B 1/16 254/132
2,737,318	A *	3/1956	Molinare	.....	A01B 1/02 222/191
3,202,120	A *	8/1965	Laffler	.....	A01C 15/02 111/96
D213,058	S *	12/1968	Clifton	.....	D8/10
3,815,526	A *	6/1974	Christopherson	...	A01M 17/002 111/7.2
3,903,815	A *	9/1975	Winkler	.....	A01C 21/00 111/92
4,444,131	A *	4/1984	Marttinen	.....	A01C 5/02 111/107
5,257,666	A *	11/1993	Townsend, Jr.	.....	A01B 1/06 172/378

(Continued)

**FOREIGN PATENT DOCUMENTS**

CN	2877227	Y	*	3/2007	.....	A01C 7/02
CN	107736110	A	*	2/2018	.....	A01C 7/02
JP	10304715	A	*	11/1998	.....	A01C 7/02

*Primary Examiner* — Holly E Thurman

*Assistant Examiner* — Ieisha N Price

(74) *Attorney, Agent, or Firm* — Gurr Brande &  
Spendlove, PLLC; Robert A. Gurr

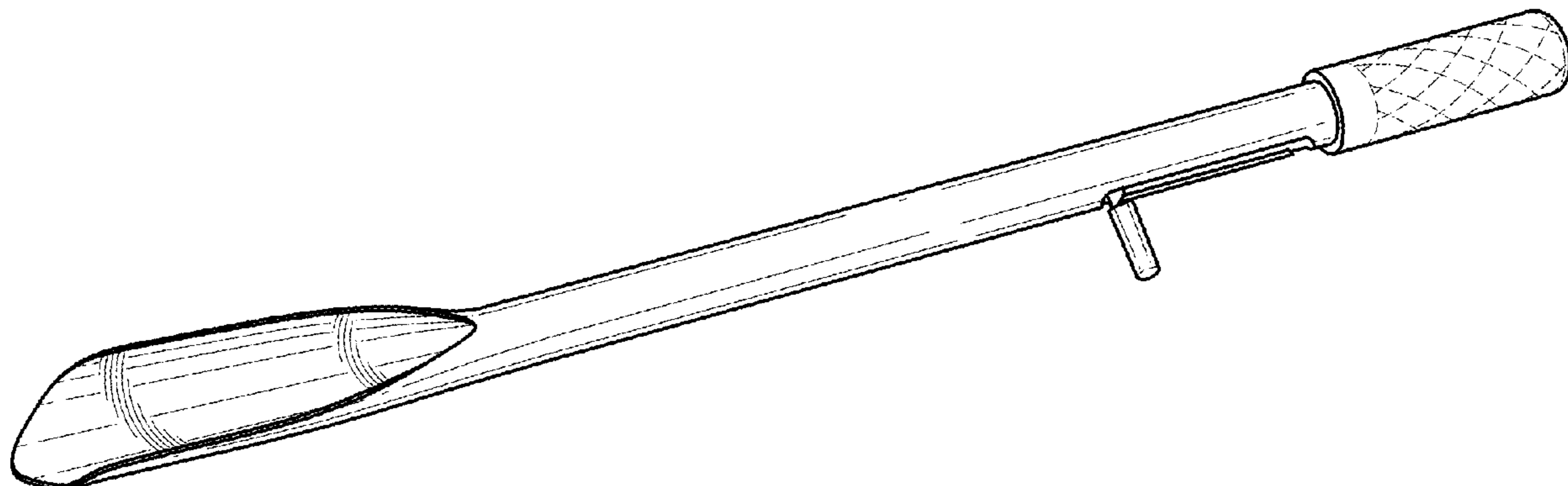
(57) **CLAIM**

The ornamental design for a sprinkler shovel, as shown and described.

**DESCRIPTION**

FIG. 1 is a side perspective view of the sprinkler shovel in a retracted configuration;  
 FIG. 2 is a front elevation view of the sprinkler shovel in a retracted configuration;  
 FIG. 3 is a left side elevation view of the sprinkler shovel in a retracted configuration;  
 FIG. 4 is a rear elevation view of the sprinkler shovel in a retracted configuration;  
 FIG. 5 is a right side elevation view of the sprinkler shovel in a retracted configuration;  
 FIG. 6 is a bottom plan view of the sprinkler shovel;  
 FIG. 7 is a top plan view of the sprinkler shovel;  
 FIG. 8 is a side perspective view of the sprinkler shovel in an extended configuration;  
 FIG. 9 is a front elevation view of the sprinkler shovel in an extended configuration; and,  
 FIG. 10 is a left side elevation view of the sprinkler shovel in an extended configuration.  
 The broken lines shown in the drawings are for the purpose of illustrating portions of the sprinkler shovel that form no part of the claimed design.

**1 Claim, 5 Drawing Sheets**



(56)

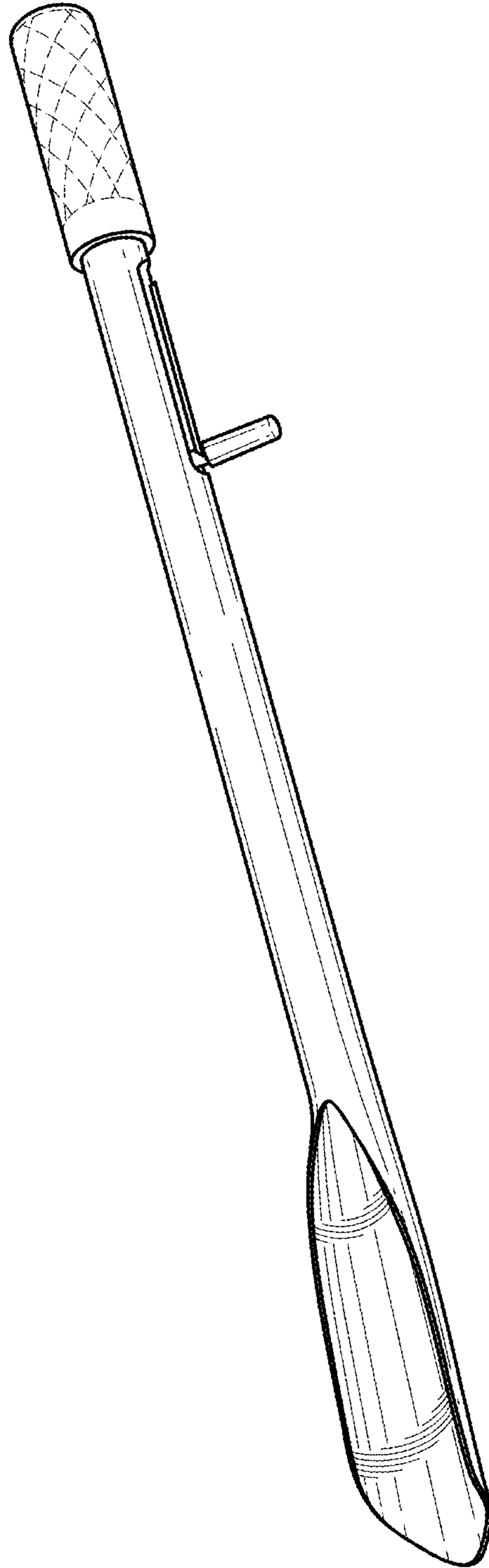
**References Cited**

U.S. PATENT DOCUMENTS

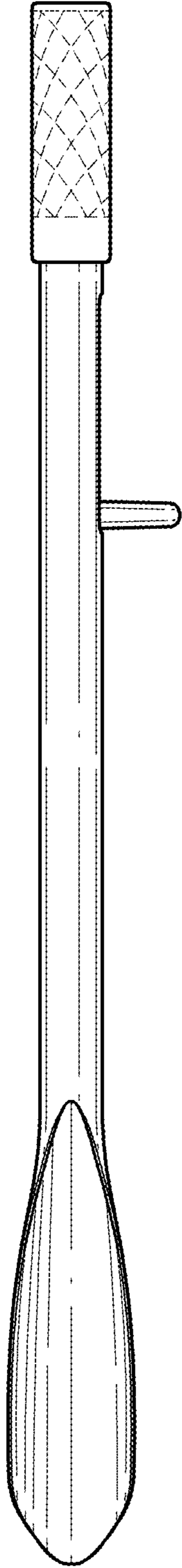
D359,889 S \* 7/1995 Hayes ..... D8/1  
 5,493,977 A \* 2/1996 Maisch ..... A01C 5/02  
 111/90  
 5,615,744 A \* 4/1997 Krafka ..... A01B 1/165  
 172/21  
 D382,178 S \* 8/1997 Milbury ..... D8/1  
 5,662,053 A \* 9/1997 Porter ..... A01C 7/02  
 111/106  
 5,870,961 A \* 2/1999 Morin ..... A01C 7/04  
 111/95  
 D408,695 S \* 4/1999 Milbury ..... D8/1  
 6,186,082 B1 \* 2/2001 Drobek ..... A01C 7/02  
 111/92  
 6,615,752 B1 \* 9/2003 Wang ..... A01C 5/02  
 111/95  
 D670,151 S \* 11/2012 Angel ..... D8/107  
 9,139,963 B2 \* 9/2015 Zwahlen ..... A01C 15/02  
 9,655,298 B1 \* 5/2017 Coppage ..... E01H 10/007  
 D815,929 S \* 4/2018 Sigston ..... D8/1  
 D825,312 S \* 8/2018 Buckley ..... B08B 1/00  
 D8/307  
 D837,618 S \* 1/2019 Shalamanov ..... D8/7  
 D896,600 S \* 9/2020 McMurrough ..... D8/10  
 2004/0050308 A1 \* 3/2004 Wang ..... A01C 5/02  
 111/95  
 2006/0162629 A1 \* 7/2006 Gallant ..... A01C 7/02  
 111/92  
 2009/0045641 A1 \* 2/2009 Macartney Snape .. A01B 1/022  
 172/771  
 2018/0325007 A1 \* 11/2018 Tollefsrud ..... B25F 1/04

\* cited by examiner

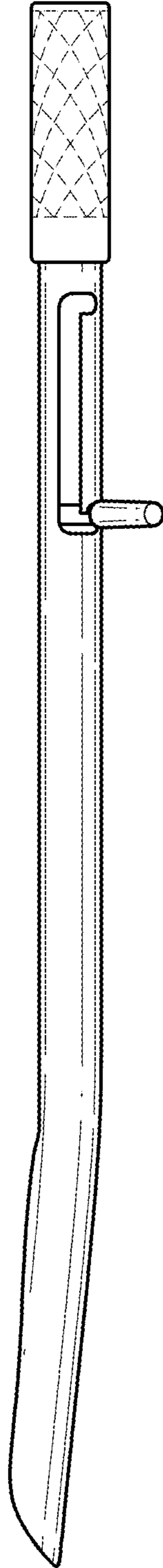
**FIG. 1**



*FIG. 2*



*FIG. 3*



*FIG. 4*

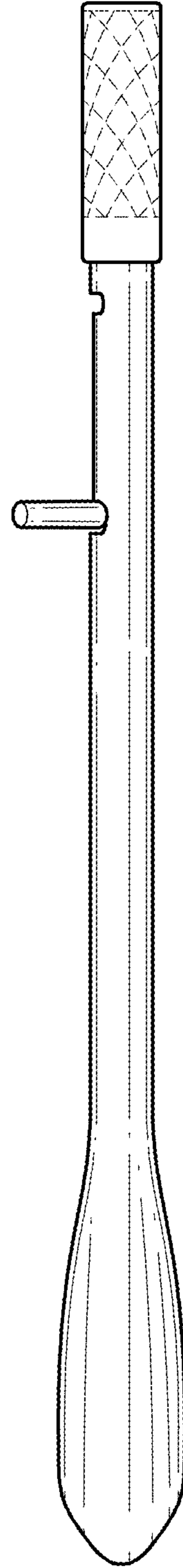


FIG. 5

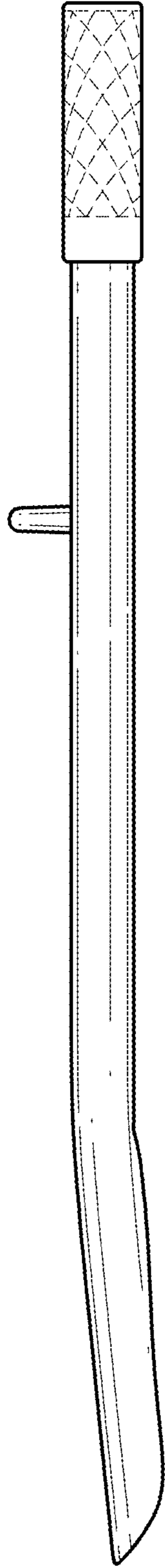


FIG. 6

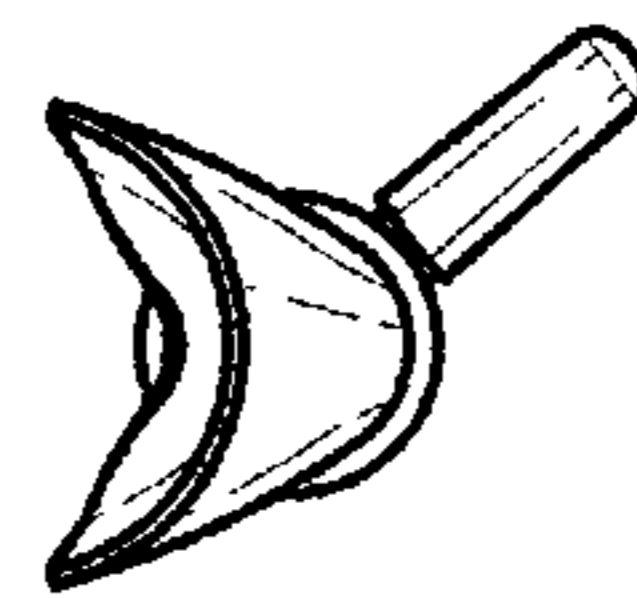
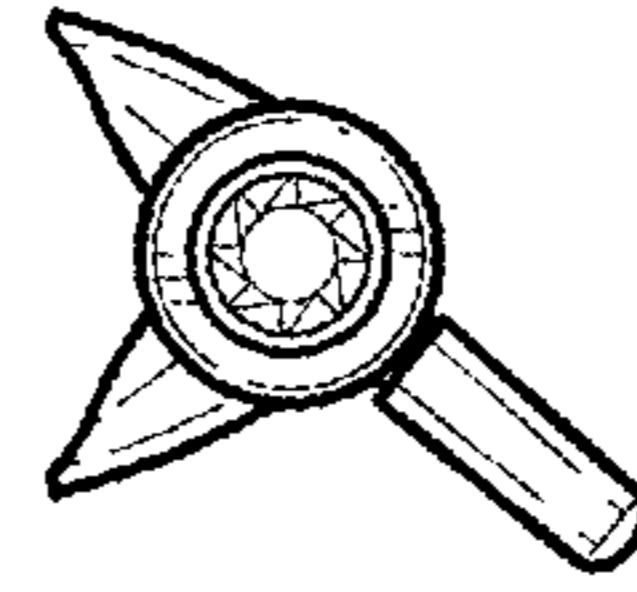
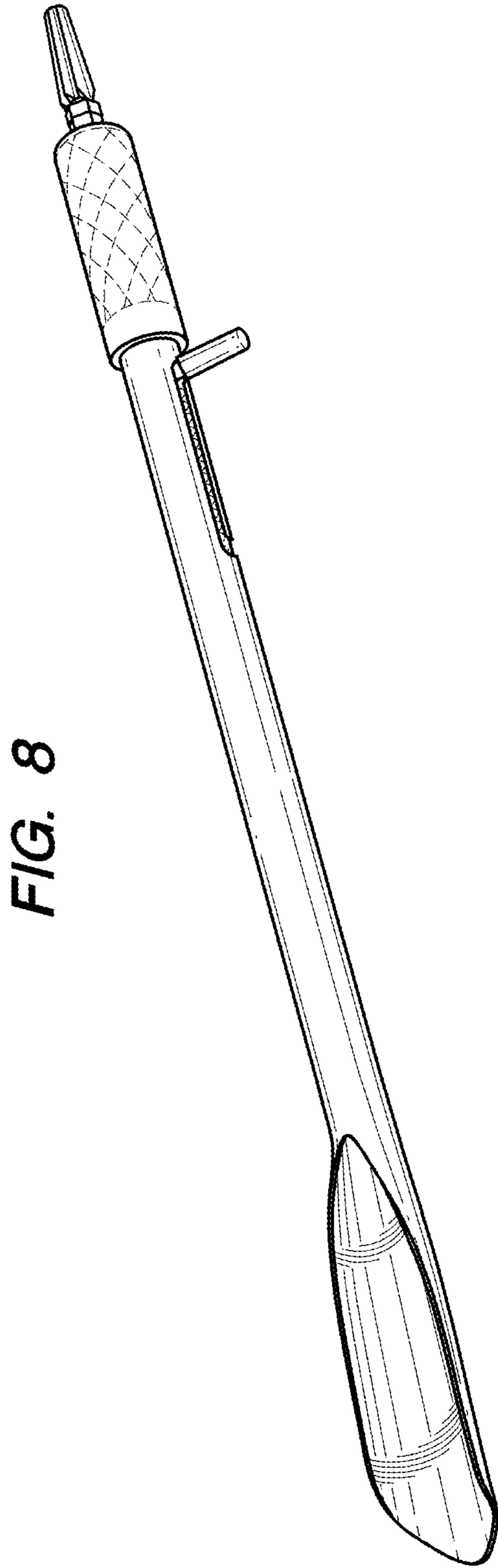


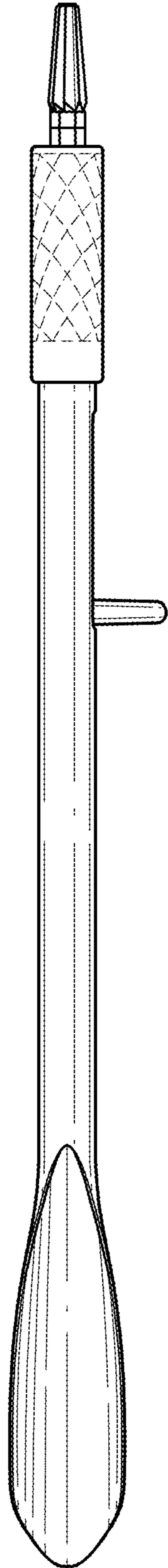
FIG. 7





**FIG. 8**

*FIG. 9*



*FIG. 10*

