



US00D927269S

(12) **United States Design Patent** (10) **Patent No.:** **US D927,269 S**  
**Matteucci et al.** (45) **Date of Patent:** **\*\* Aug. 10, 2021**

(54) **CUP HOLDER INSERT**

(71) Applicant: **Deer Solutions LLC**, Milwaukee, WI (US)

(72) Inventors: **Ronnie I Matteucci**, Dousman, WI (US); **Patrick Joseph McDonough**, Whitefish Bay, WI (US)

(73) Assignee: **Deer Solutions LLC**, Milwaukee, WI (US)

(\*\*) Term: **15 Years**

(21) Appl. No.: **29/708,609**

(22) Filed: **Oct. 8, 2019**

(51) **LOC (13) Cl.** ..... **07-06**

(52) **U.S. Cl.**  
USPC ..... **D7/701**

(58) **Field of Classification Search**  
USPC ..... D7/601, 602, 701, 703, 705, 706, 707, D7/708, 708.1, 619.1; D3/201, 273, 295; D6/672, 675, 675.1, 675.2, 675.3, 675.5, D6/678, 678.1, 678.2, 682, 682.1, 682.3, D6/682.4, 683, 683.1, 702, 705; D9/414, D9/423, 424, 455, 751, 757, 761  
CPC ..... A47B 73/00; A47B 73/006; A47B 88/00; A47B 88/40; A47B 2210/06; A47B 2210/07; A47B 2210/08; A45C 11/20; A47G 19/2255; A47G 19/2261; A47G  
(Continued)

(56) **References Cited**

**U.S. PATENT DOCUMENTS**

5,320,406 A \* 6/1994 North ..... A47C 7/68 297/188.14  
D413,769 S \* 9/1999 Mason ..... D7/620  
(Continued)

**OTHER PUBLICATIONS**

Gadjit Cup Keeper Cup Holder Adapter, first available May 6, 2011, Amazon, [online], [site visited Apr. 2, 2021], Available from internet URL: <https://www.amazon.com/Gadjit-Adapter-Expands-Convenience-diameter/dp/B004ZL9CFO> (Year: 2011).\*

(Continued)

*Primary Examiner* — Vy N Koenig

*Assistant Examiner* — Natalya M Rapundalo

(74) *Attorney, Agent, or Firm* — Andrus Intellectual Property Law, LLP

(57) **CLAIM**

The ornamental design for a cup holder insert, as shown and described.

**DESCRIPTION**

FIG. 1 is a top perspective view of the cup holder insert design;

FIG. 2 is a bottom perspective view of the cup holder insert design;

FIG. 3 is a front view of the cup holder insert design;

FIG. 4 is a rear view of the cup holder insert design;

FIG. 5 is a left side view of the cup holder insert design;

FIG. 6 is a right side view of the cup holder insert design;

FIG. 7 is a top view of the cup holder insert design; and,

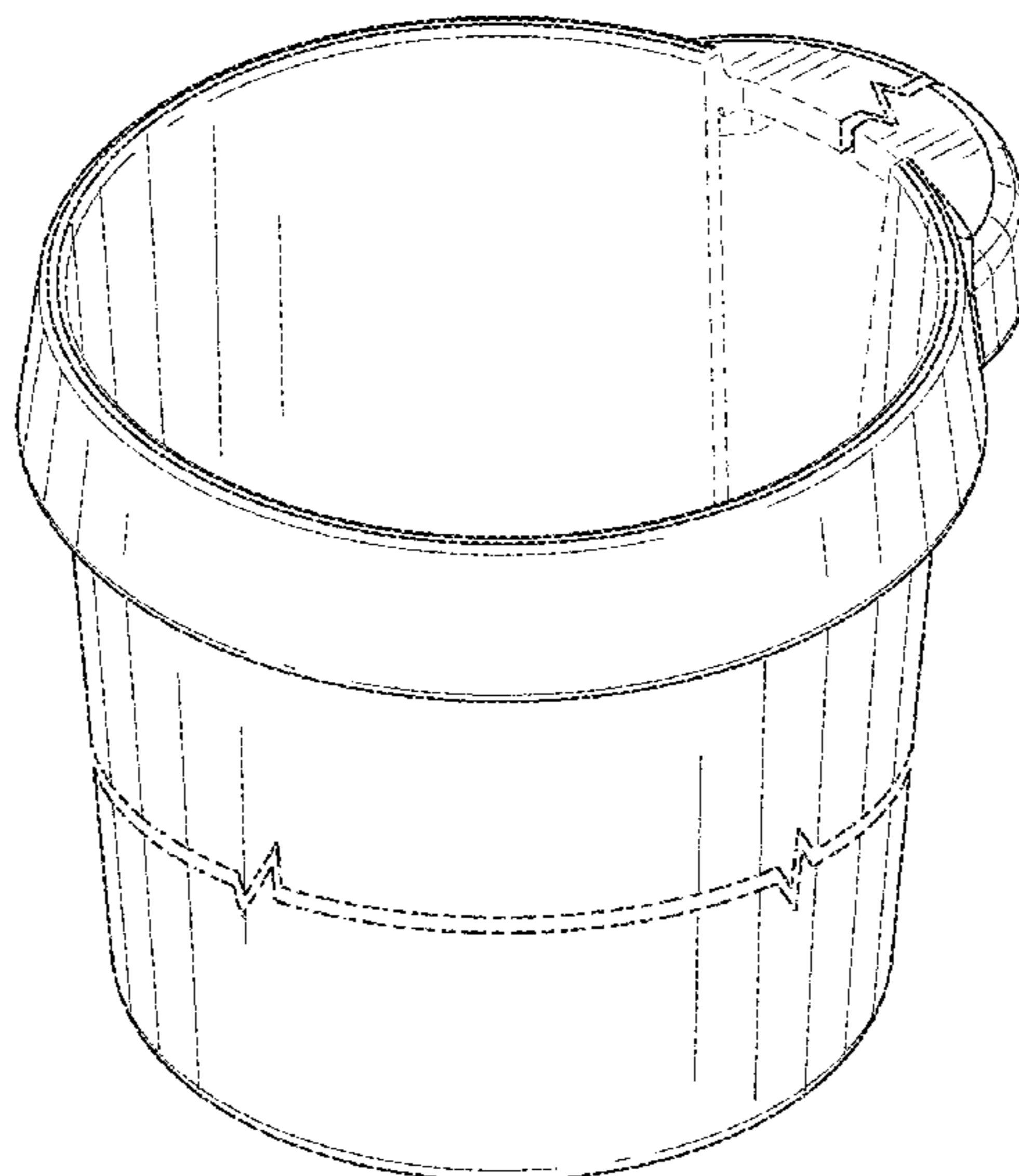
FIG. 8 is a bottom view of the cup holder insert design.

The dashed broken lines showing an engagement aperture, a flexible lip, and a top surface of a bottom of the cup holder depict portions of the article and boundaries thereof and form no part of the claimed design.

The dash dot broken lines showing inner sidewall surface diameter variations depict portions of the article and boundaries thereof and form no part of the claimed design.

The cup holder insert is shown with a symbolic break in its length and width. The appearance of any portion of the article between the break lines forms no part of the claimed design.

**1 Claim, 6 Drawing Sheets**



(58) **Field of Classification Search**

CPC ..... 19/32; A47G 21/001; A47G 23/02; A47G  
23/0208; A47G 23/0216; A47G 23/0225;  
A47G 23/0258; A47G 23/0266; A47G  
23/0316; A47G 23/06; A47G 23/0641;  
A47G 2023/0283; A47G 29/093; A47J  
47/14; A47J 47/16

See application file for complete search history.

(56) **References Cited**

U.S. PATENT DOCUMENTS

D523,705 S \* 6/2006 Baida ..... D7/620  
D733,555 S \* 7/2015 Brady ..... D9/428  
D755,575 S \* 5/2016 Pratt ..... D7/620  
D798,673 S \* 10/2017 Gilmore ..... D7/624.1  
D840,188 S \* 2/2019 Trenchfield ..... D7/396.2  
D862,882 S \* 10/2019 Hicks ..... A47C 7/622  
D3/304  
D875,529 S \* 2/2020 Gorman ..... A47C 7/68  
D9/455  
D892,567 S \* 8/2020 Snir ..... D7/620  
2019/0075928 A1 \* 3/2019 Stigas ..... A47C 7/622  
2021/0101514 A1 \* 4/2021 Matteucci ..... B60N 3/105

OTHER PUBLICATIONS

Riser Mounting Folding Stadium Seat with Cup-Holder, ACT  
Group, [online], [site visited Apr. 2, 2021], Available from internet  
URL: [https://infopandagrass.en.made-in-china.com/productimage/  
xCmnTylcCjVF-2f1j00BDgGfCWPaLov/China-Riser-Mounting-  
Folding-Stadium-Seat-with-Cup-Holder-Flip-up-Plastic-Chairs.  
html](https://infopandagrass.en.made-in-china.com/productimage/xCmnTylcCjVF-2f1j00BDgGfCWPaLov/China-Riser-Mounting-Folding-Stadium-Seat-with-Cup-Holder-Flip-up-Plastic-Chairs.html) (Year: 2021).\*

\* cited by examiner

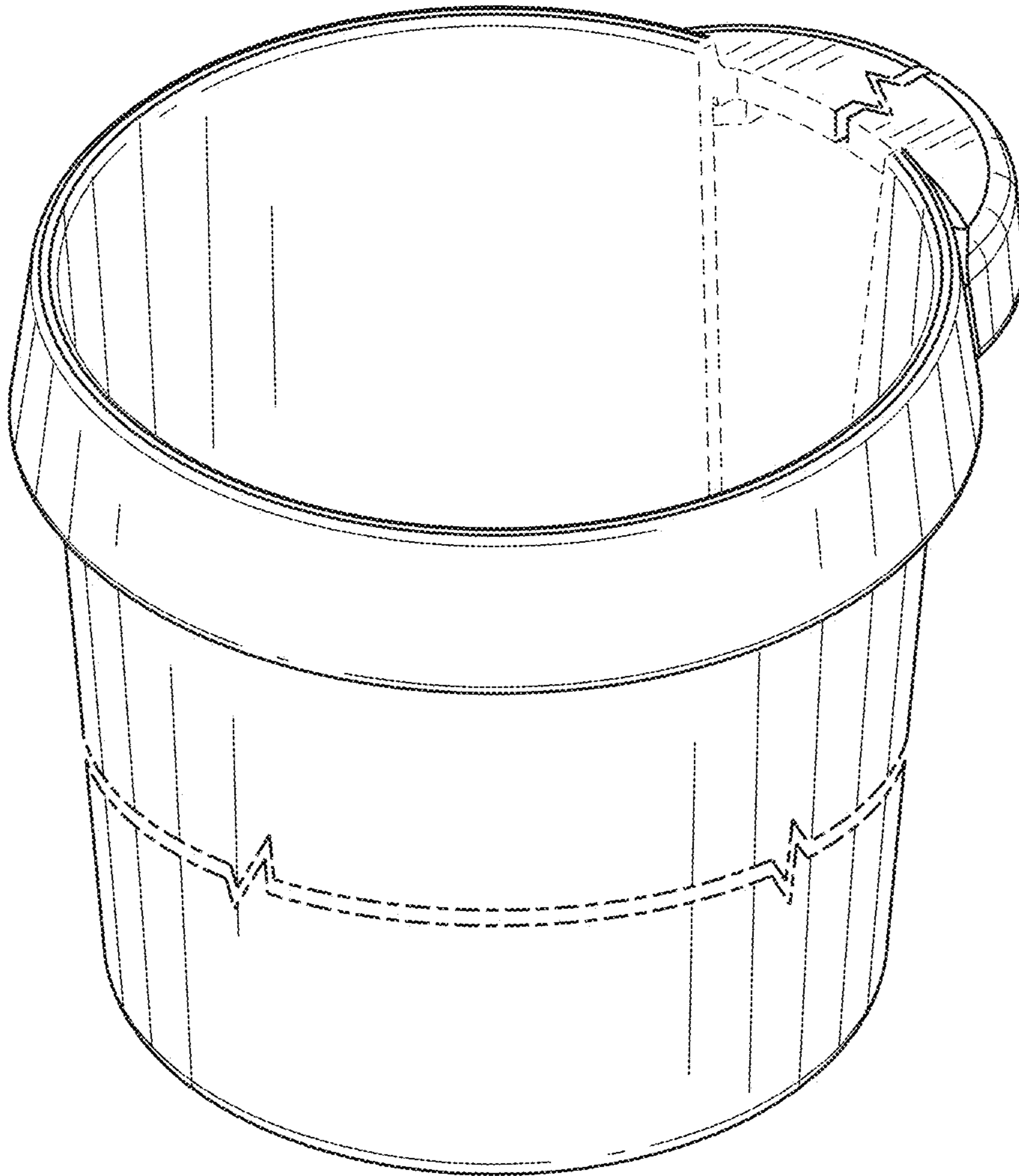


FIG. 1

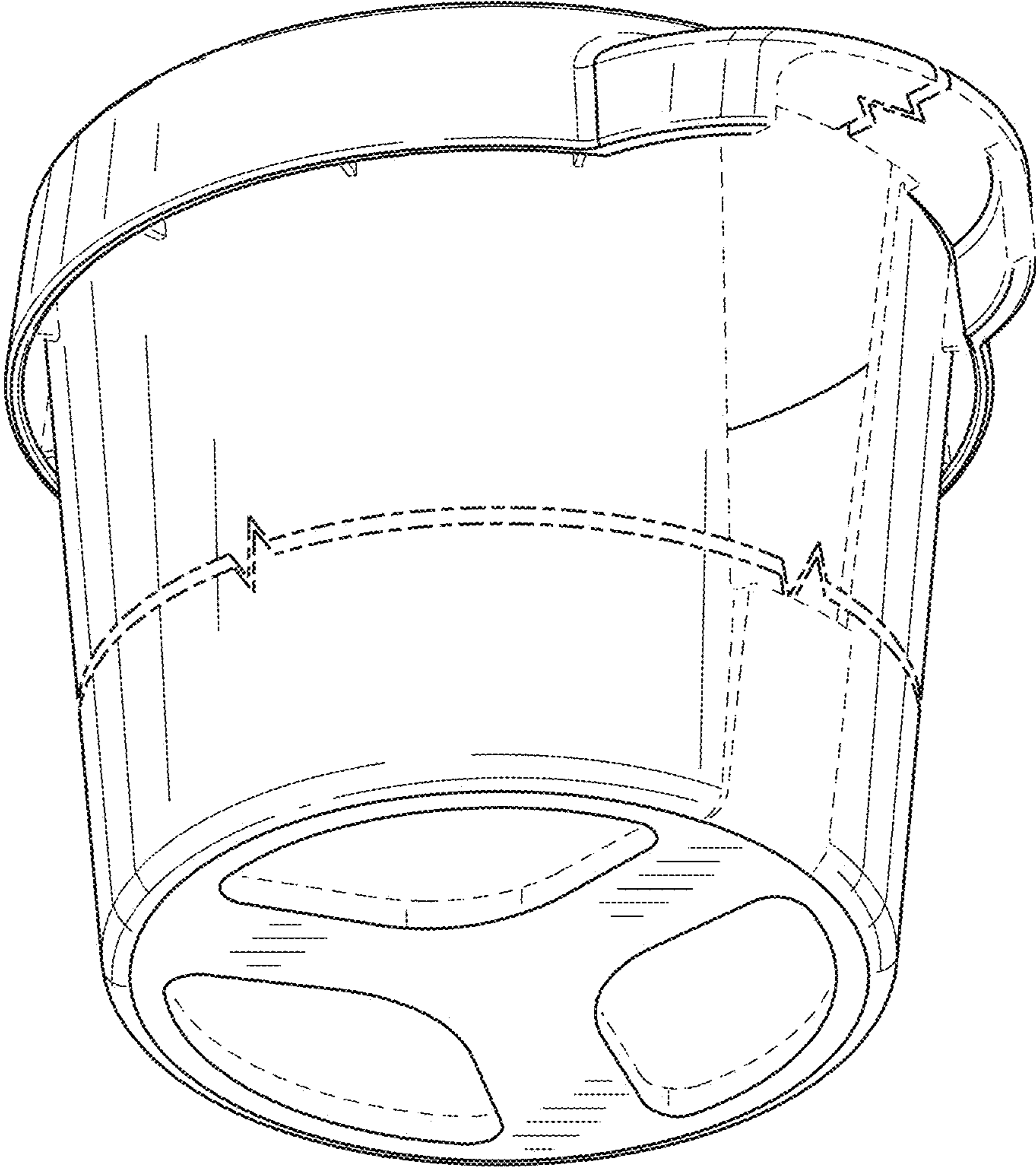


FIG. 2

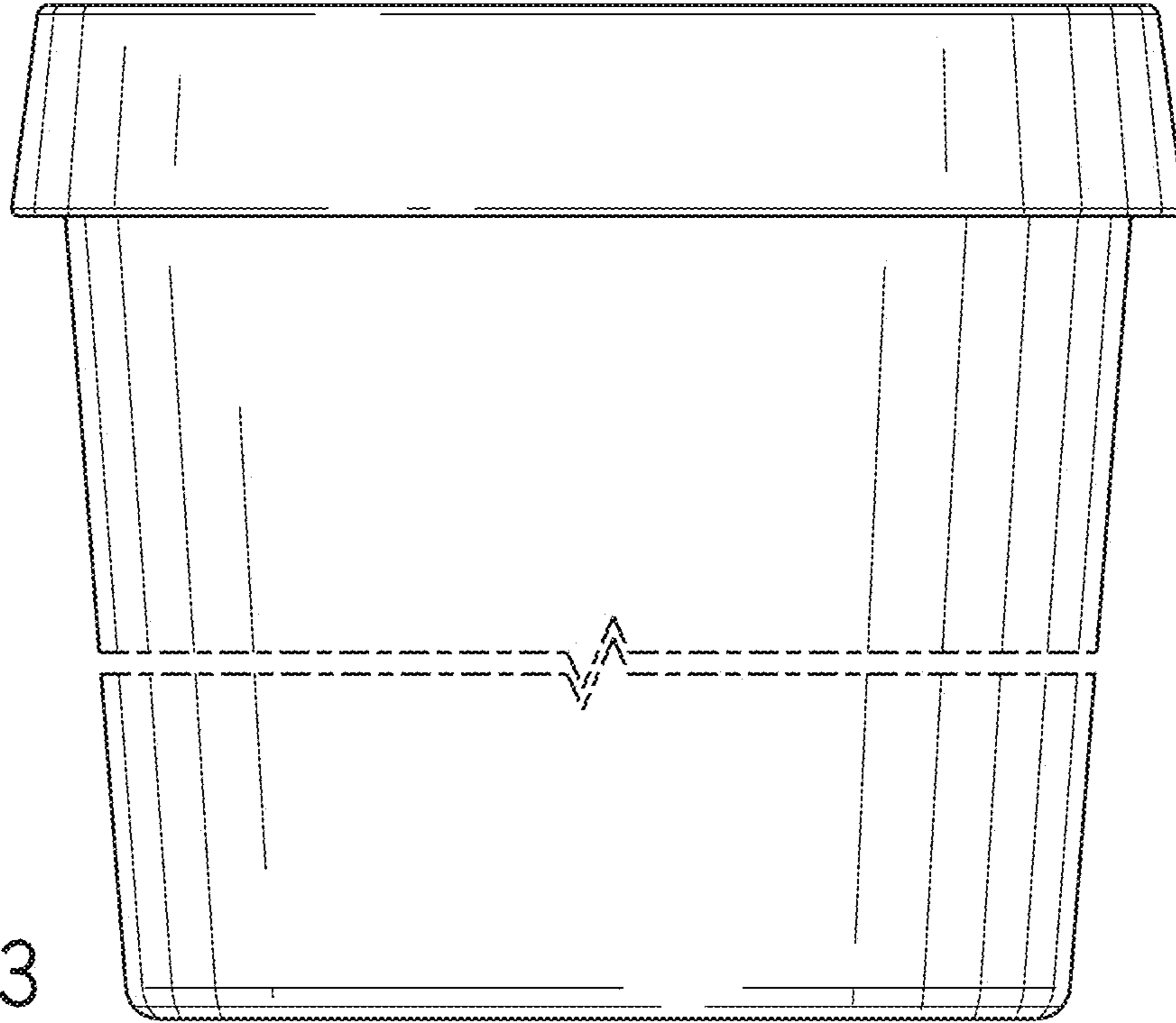


FIG. 3

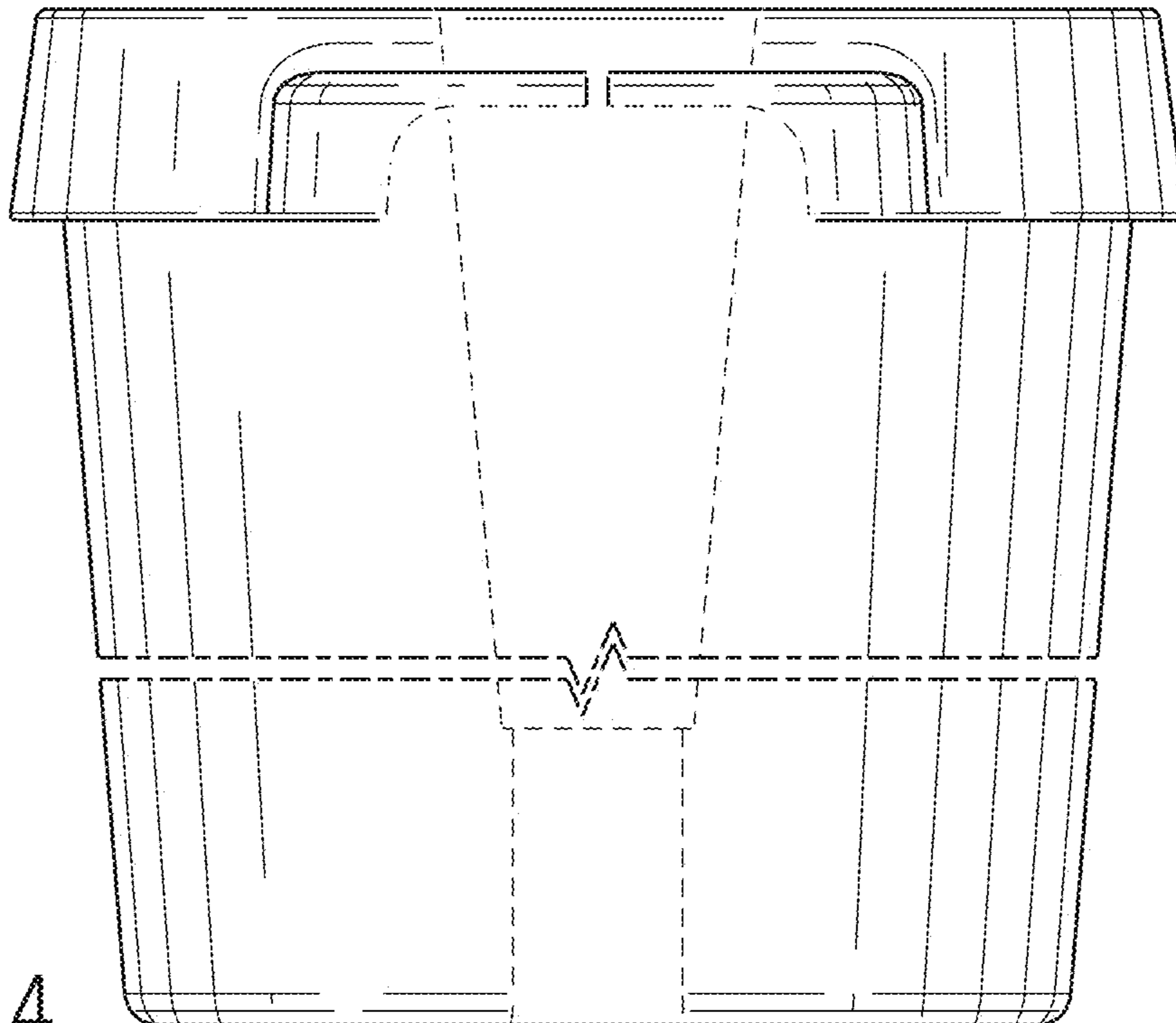
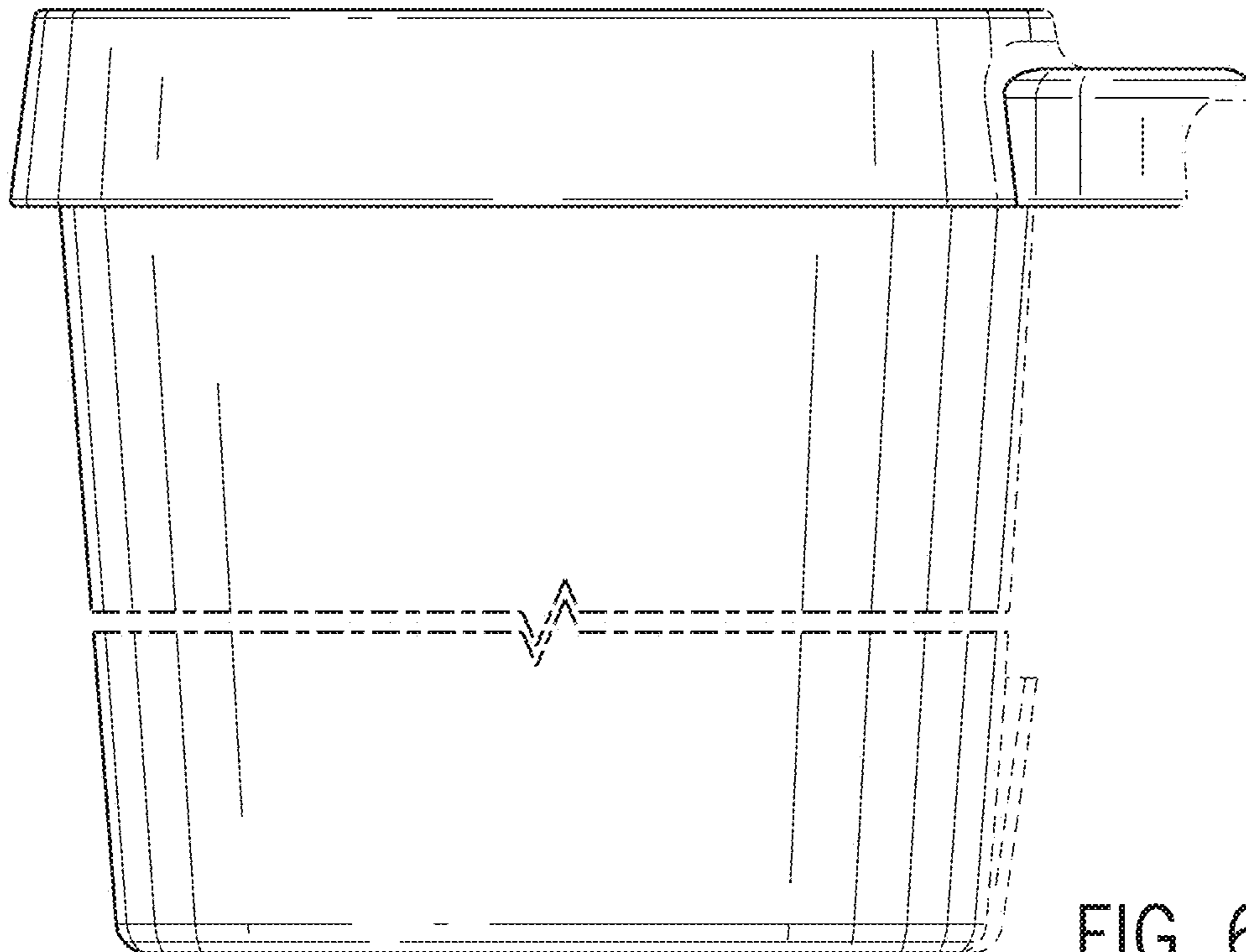
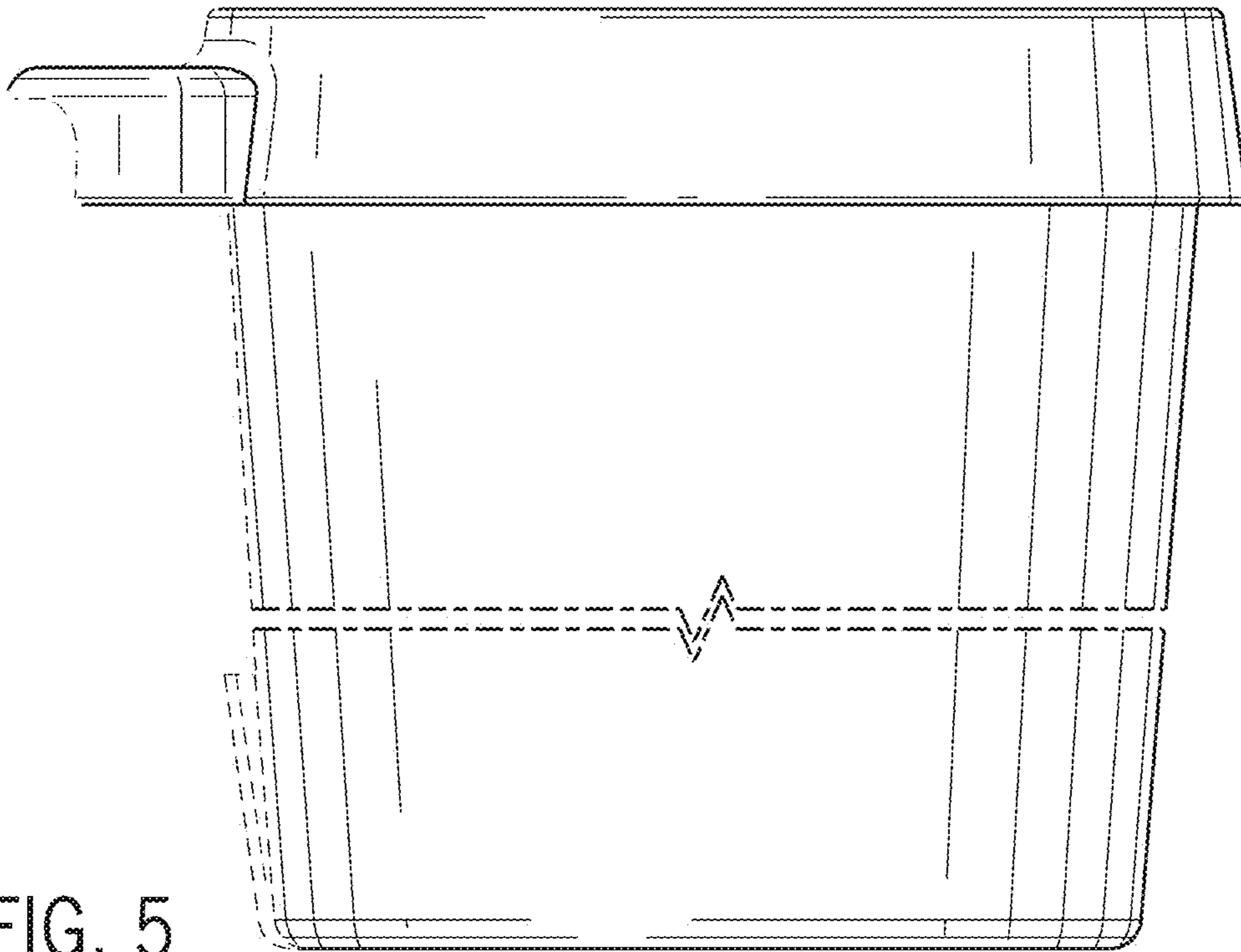


FIG. 4



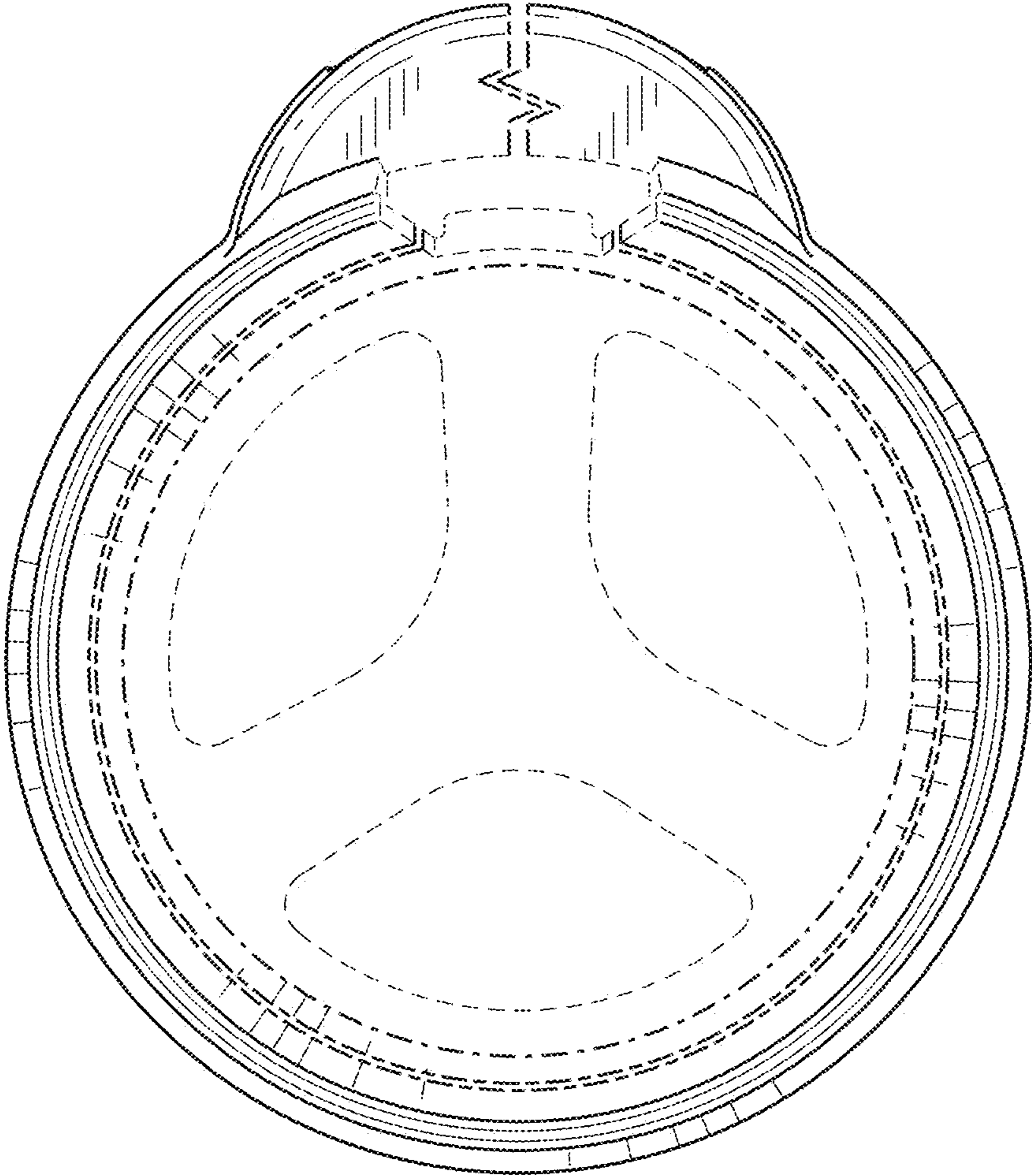


FIG. 7

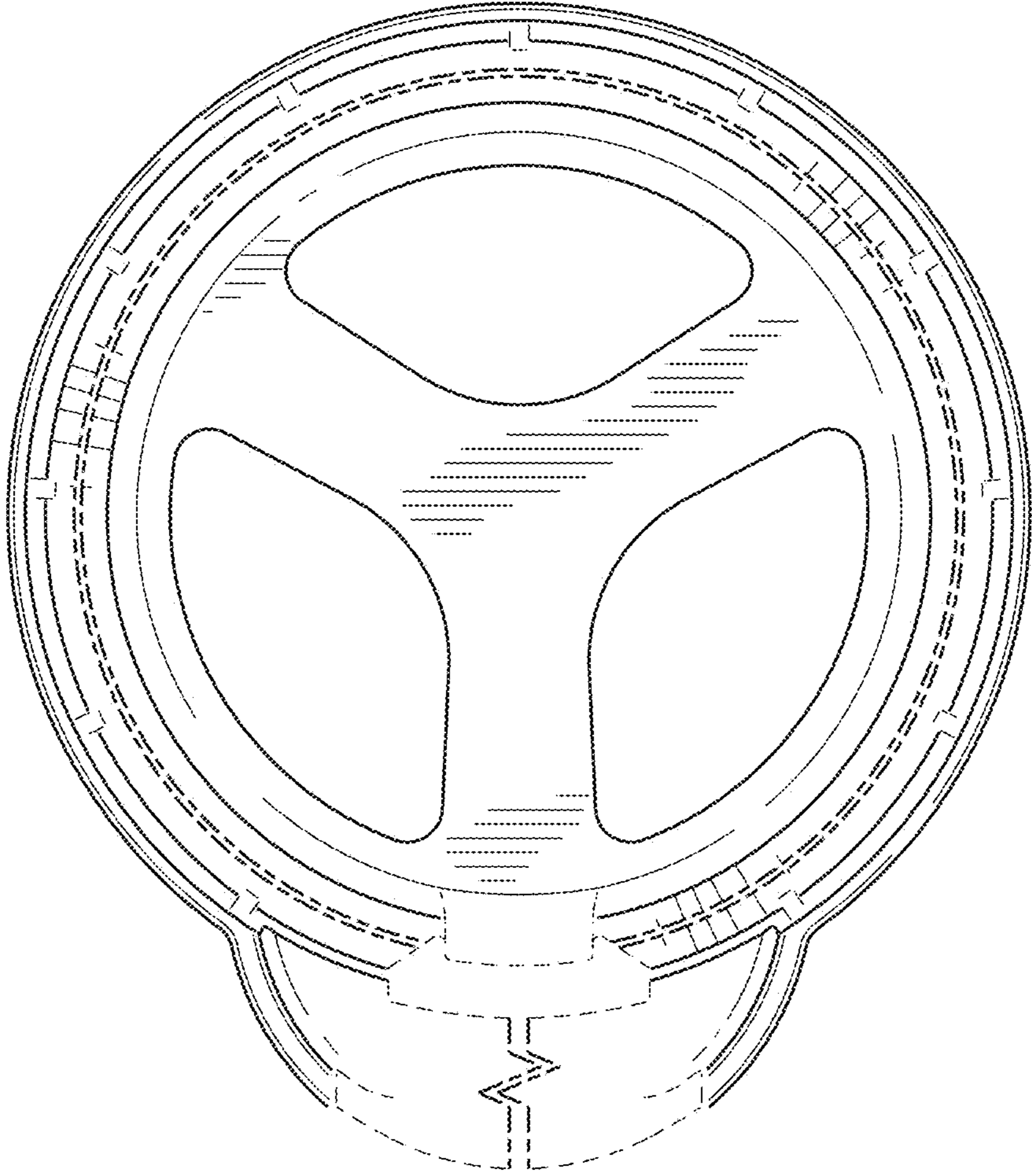


FIG. 8