



US00D927267S

(12) **United States Design Patent** (10) **Patent No.:** **US D927,267 S**
Moon (45) **Date of Patent:** **** Aug. 10, 2021**

(54) **NON-STICK KNIFE BLADE ATTACHMENT**
(71) Applicant: **Scott Moon**, Flushing, NY (US)
(72) Inventor: **Scott Moon**, Flushing, NY (US)
(**) Term: **15 Years**
(21) Appl. No.: **29/735,152**
(22) Filed: **May 19, 2020**
(51) **LOC (13) Cl.** **07-03**
(52) **U.S. Cl.**
USPC **D7/649**; D7/401.2
(58) **Field of Classification Search**
USPC D7/393-395, 401.2, 642-652, 693,
D7/695-696; D8/93, 97-100, 107, 300,
D8/321; D22/117-118
CPC A01B 1/20; A01B 1/22; A22C 25/006;
A47G 21/06; A47G 21/065; A61B
17/3211; A61B 17/3213; B21D 53/64;
B25G 3/36; B26B 1/00; B26B 1/08;
B26B 1/10; B26B 3/00; B26B 3/02;
B26B 3/03; B26B 3/04; B26B 3/06;
B26B 5/00; B26B 5/001; B26B 5/007;
B26B 7/00; B26B 7/005; B26B 9/00;
B26B 9/02; B26B 11/00; B26B 11/006;
B26B 17/00; B26B 17/006; B26B 27/00;
B26B 29/02; B25B 9/02
See application file for complete search history.

(56) **References Cited**
U.S. PATENT DOCUMENTS
2,178,267 A 10/1939 Potstada
2,448,383 A * 8/1948 Mathaus B26B 3/04
30/304

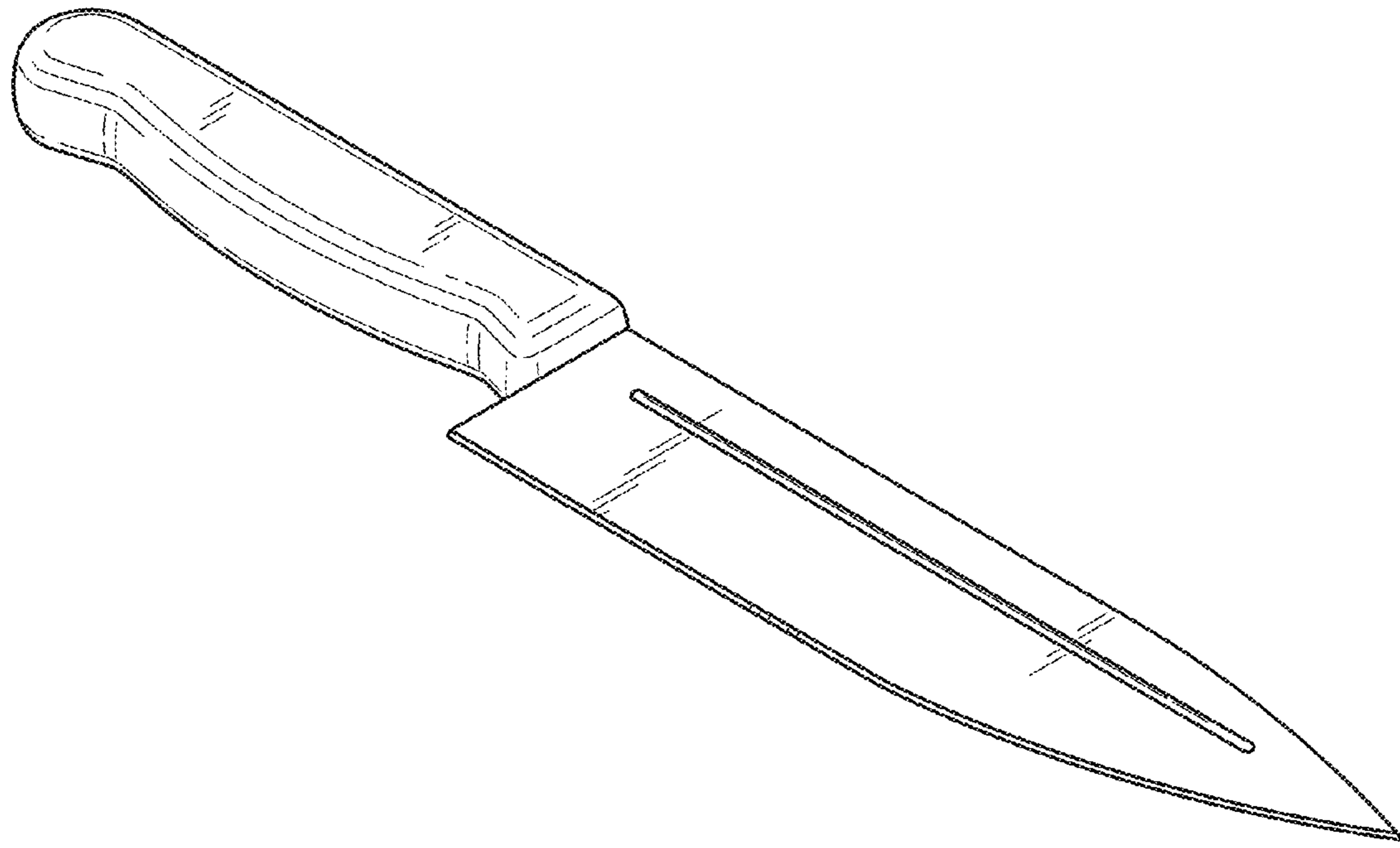
2,566,112 A * 8/1951 Barnard B26B 9/00
30/357
2,570,671 A 10/1951 Hartman
2,601,766 A * 7/1952 Riddell B25B 9/02
30/124
2,858,610 A 11/1958 Glutting
4,399,611 A * 8/1983 Maringer B26B 9/00
228/162
4,495,698 A * 1/1985 Gerber, Jr. B26B 9/00
30/357
D414,385 S * 9/1999 Adkins D7/695
D448,628 S 10/2001 Yang
D629,260 S * 12/2010 Krent D7/649
8,281,494 B2 * 10/2012 Archambault A61B 17/3213
30/346.52
D806,498 S * 1/2018 Bloch D8/99
D850,219 S * 6/2019 Junfola D7/649
D891,216 S * 7/2020 Bloch D8/99
D909,170 S * 2/2021 Bloch D8/99
2012/0023759 A1 2/2012 Meng
2019/0160697 A1 5/2019 Henry

* cited by examiner
Primary Examiner — Ricky Pham

(57) **CLAIM**
I claim the ornamental design for a non-stick knife blade attachment, as shown and described.

DESCRIPTION
FIG. 1 is a front view of the non-stick knife blade attachment.
FIG. 2 is a rear view of the claimed design.
FIG. 3 is a left view of the claimed design.
FIG. 4 is a right view of the claimed design.
FIG. 5 is a top view of the claimed design.
FIG. 6 is a bottom view of the claimed design; and,
FIG. 7 is a perspective view of the claimed design.

1 Claim, 3 Drawing Sheets



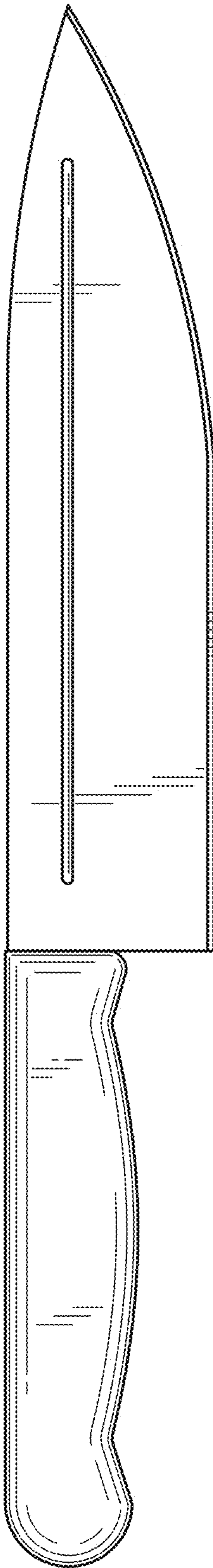


FIG. 1

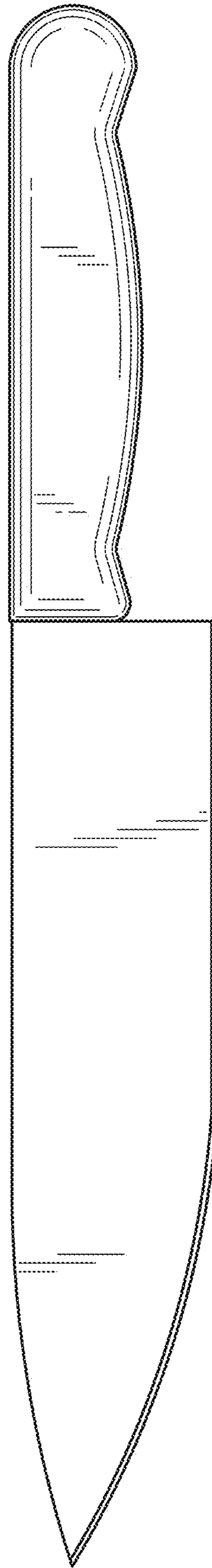


FIG. 2

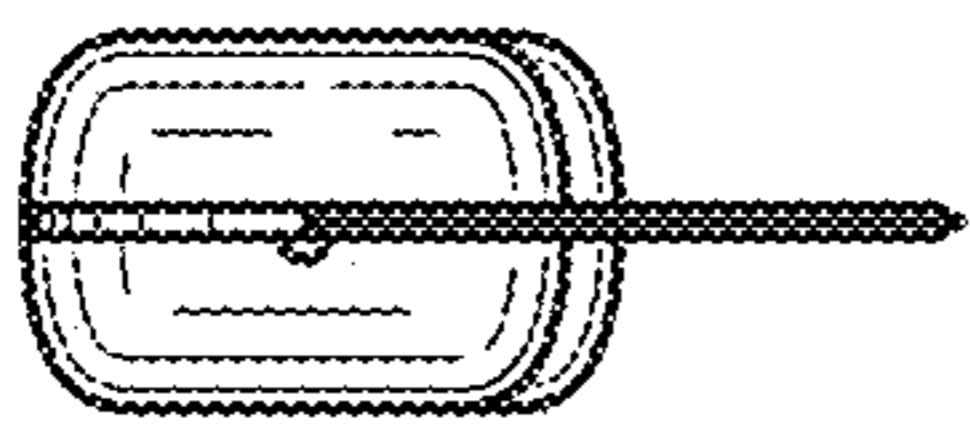


FIG. 3

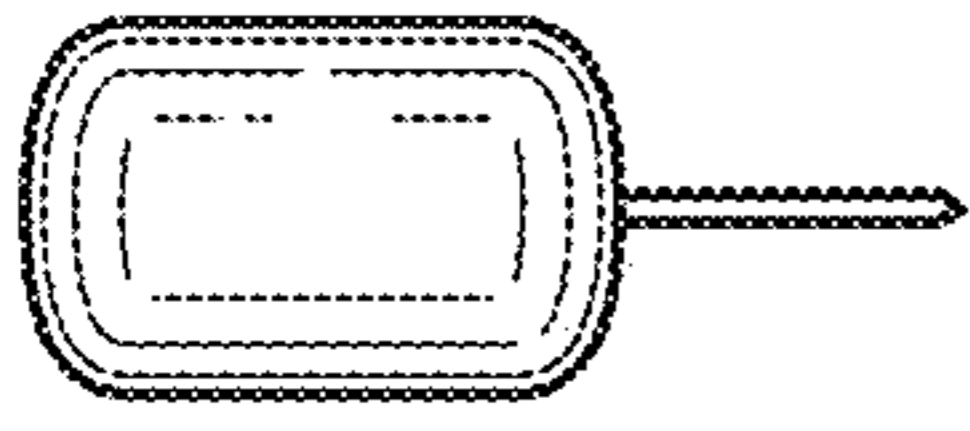


FIG. 4

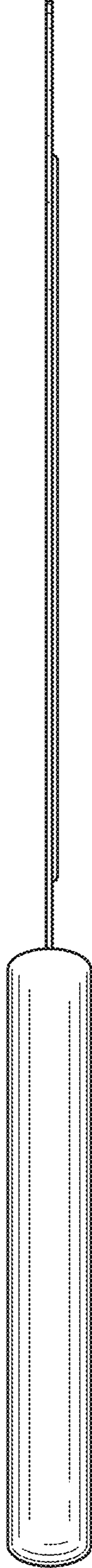


FIG. 5

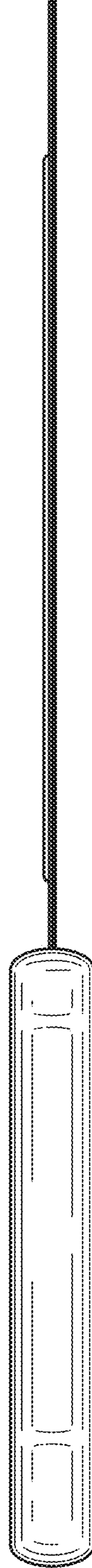


FIG. 6

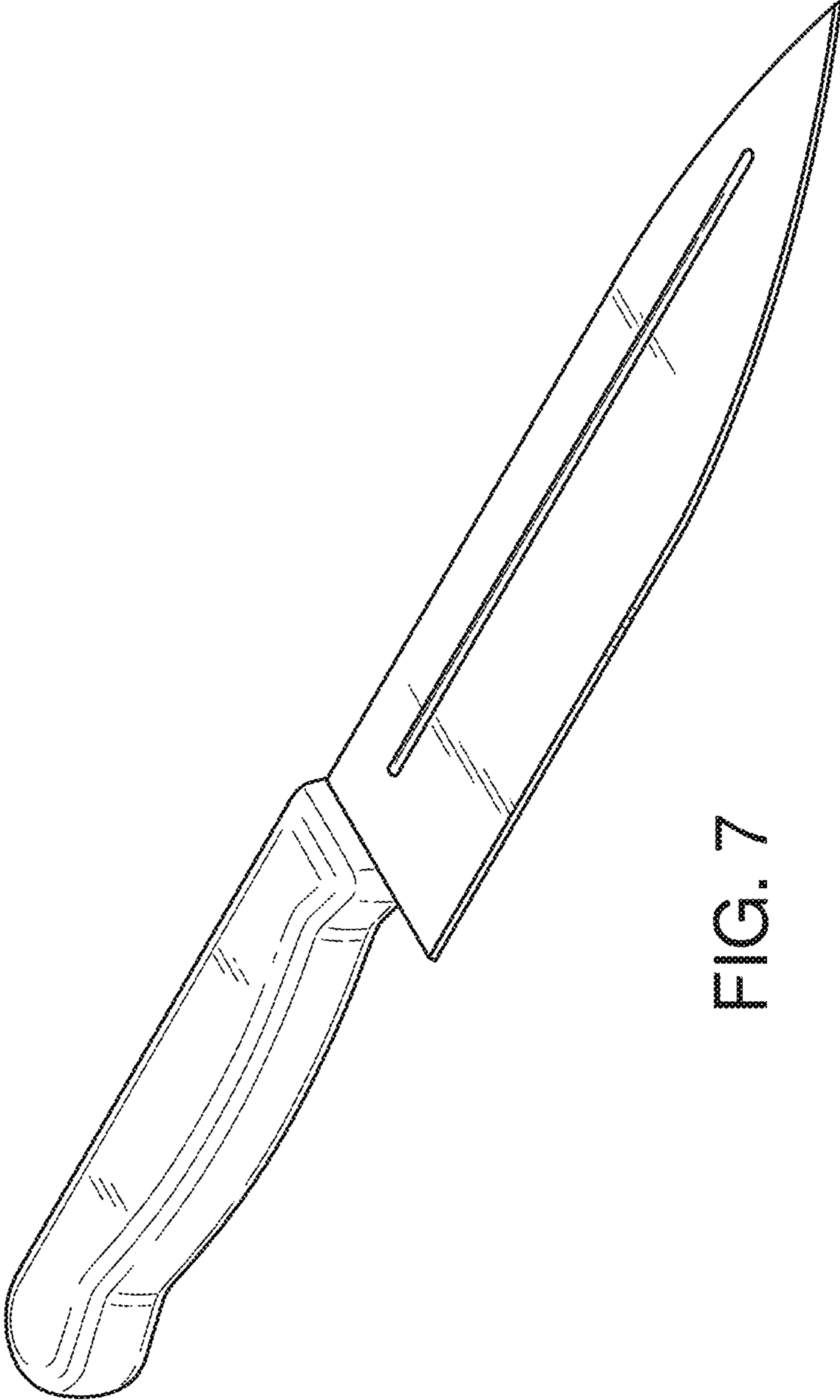


FIG. 7