



US00D927266S

(12) **United States Design Patent**  
**Wang et al.**

(10) **Patent No.:** **US D927,266 S**

(45) **Date of Patent:** **\*\* Aug. 10, 2021**

(54) **GRINDER**

(71) Applicant: **Forcome (Shanghai) Co., Ltd.**,  
Shanghai (CN)

(72) Inventors: **Yandi Wang**, Shanghai (CN); **Shanqiu Jia**, Shanghai (CN)

(73) Assignee: **FORCOME (SHANGHAI) CO., LTD.**, Shanghai (CN)

(\*\*) Term: **15 Years**

(21) Appl. No.: **29/729,486**

(22) Filed: **Mar. 26, 2020**

(51) **LOC (13) Cl.** ..... **31-00**

(52) **U.S. Cl.**  
USPC ..... **D7/643**

(58) **Field of Classification Search**

USPC ..... D7/372, 376-386, 412-413, 602, 629,  
D7/665-666, 669, 679, 693-694, 672  
CPC .... A21C 1/02; A21C 1/04; A23N 1/00; A23N  
1/02; A47J 19/025; A47J 43/04; A47J  
43/25; A47J 43/27; A47J 43/042; A47J  
43/044; A47J 43/046; A47J 43/075; A47J  
43/0722; A47J 43/0727; A47J 43/0761;  
B01F 3/00; B01F 3/0807; B01F 3/0853;  
B01F 13/0059; B01F 13/0064; B02C  
1/08; B02C 2/04; B02C 4/42; B02C  
4/142; B02C 4/143; B02C 4/423; B02C  
13/1835; B02C 18/305; B02C 18/2291;  
B28C 5/10; B28C 5/12; B28C 5/14;  
B28C 5/16

See application file for complete search history.

(56) **References Cited**

**U.S. PATENT DOCUMENTS**

1,951,826 A \* 3/1934 Foster ..... B02C 18/305  
241/37.5  
D222,209 S \* 10/1971 Dykes ..... D7/372

D362,597 S \* 9/1995 Kim ..... D7/665  
D376,736 S \* 12/1996 Kim ..... D7/665  
D495,921 S \* 9/2004 Lallemand ..... D7/372  
6,854,382 B2 \* 2/2005 Jan ..... A47J 19/025  
99/510  
D526,539 S \* 8/2006 Yip ..... D7/665  
D601,391 S \* 10/2009 Chiang ..... D7/665  
D610,396 S \* 2/2010 Chiang ..... D7/372  
D712,696 S \* 9/2014 Huber ..... D7/372  
D721,548 S \* 1/2015 Jin ..... D7/665  
D775,491 S \* 1/2017 Brinkley ..... D7/372  
2018/0099289 A1 \* 4/2018 Moore ..... B02C 18/2291

\* cited by examiner

*Primary Examiner* — Ricky Pham

(74) *Attorney, Agent, or Firm* — SZDC Law P.C.

(57) **CLAIM**

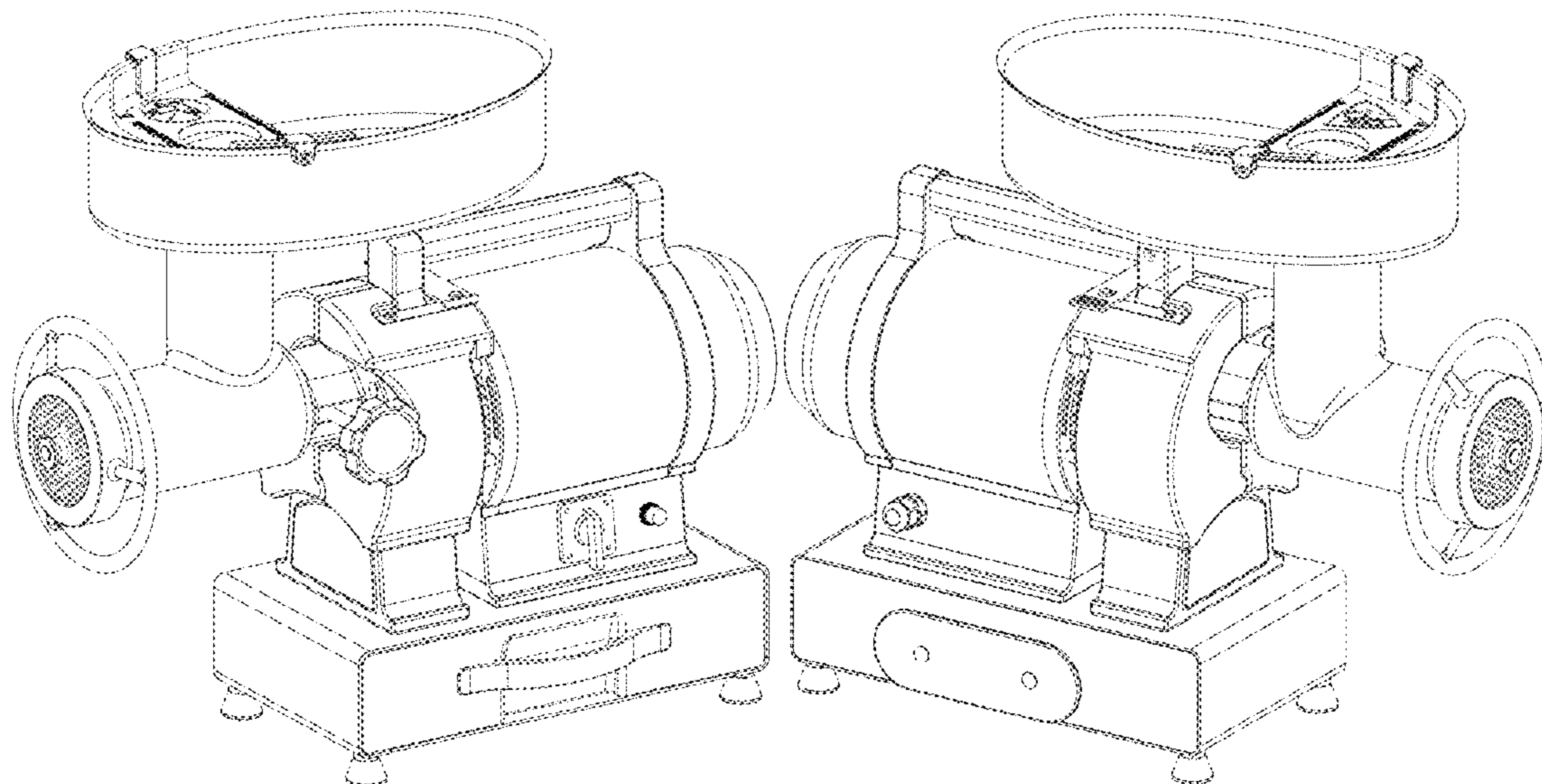
The ornamental design for a grinder, as shown and described.

**DESCRIPTION**

FIG. 1 is a front perspective view of a grinder;  
FIG. 2 is a back perspective view thereof;  
FIG. 3 is a front perspective view of an ice pack that warps around and chills a grinder head of the grinder, the ice pack being in a closed position, shown separately for ease of illustration;  
FIG. 4 is an exploded front perspective view of the ice pack in an open position;  
FIG. 5 is an exploded left back perspective view of the ice pack in an open position; and,  
FIG. 6 is an exploded right back perspective view of the ice pack in an open position.

The missing views of the grinder form no part of the claimed design. The broken lines depict portions of the grinder that form no part of the claim.

**1 Claim, 6 Drawing Sheets**



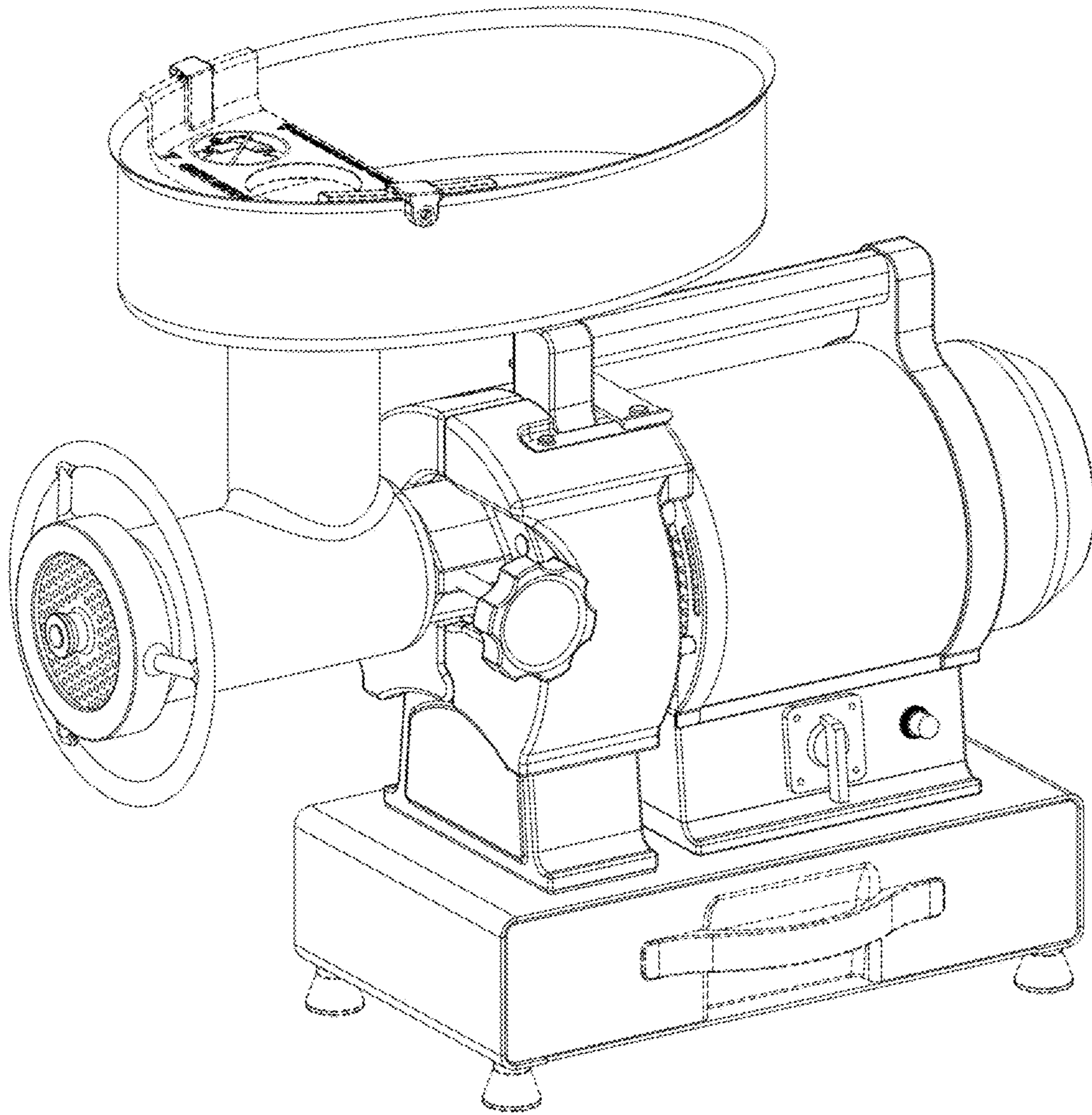


FIG. 1

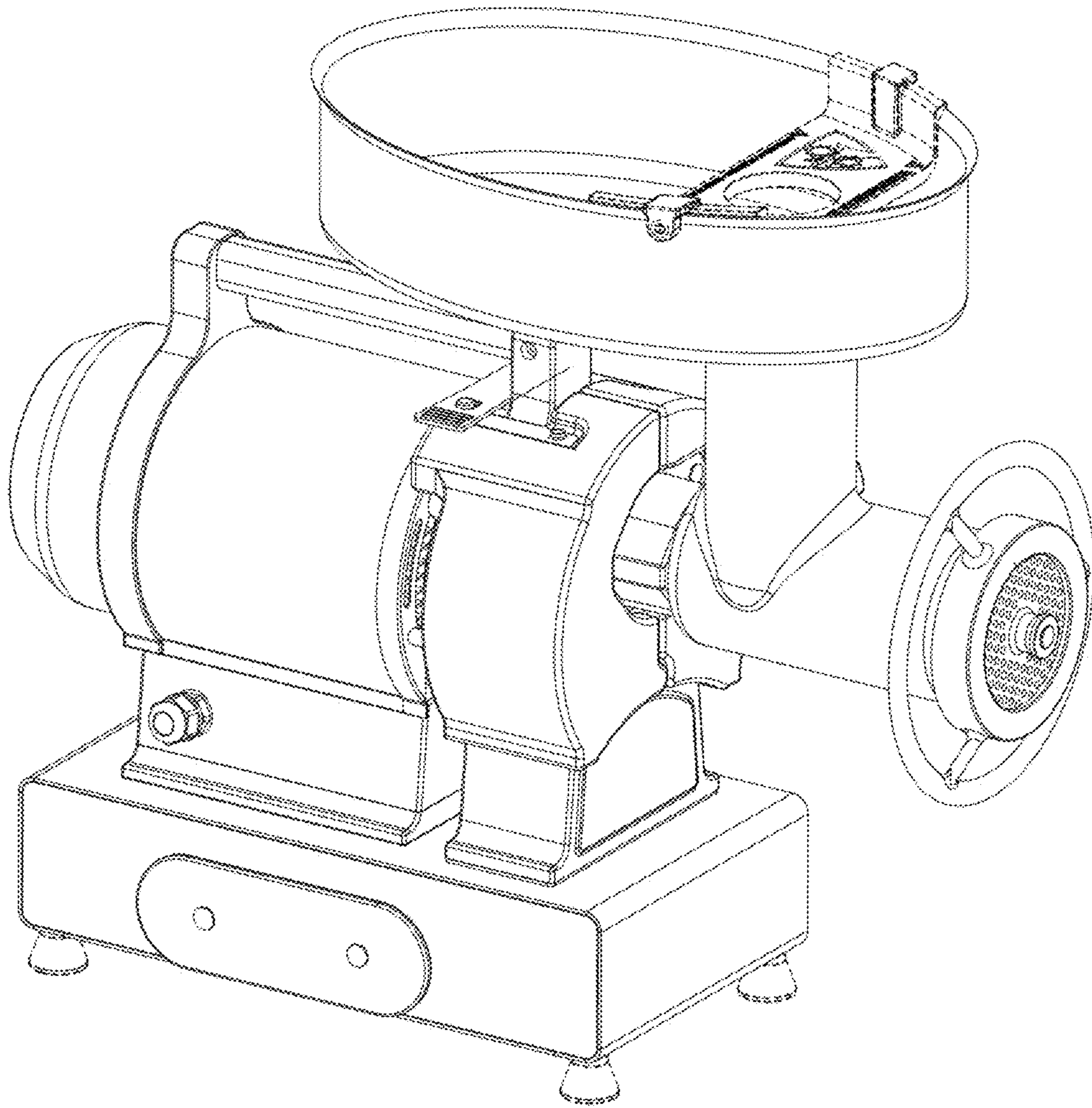


FIG. 2

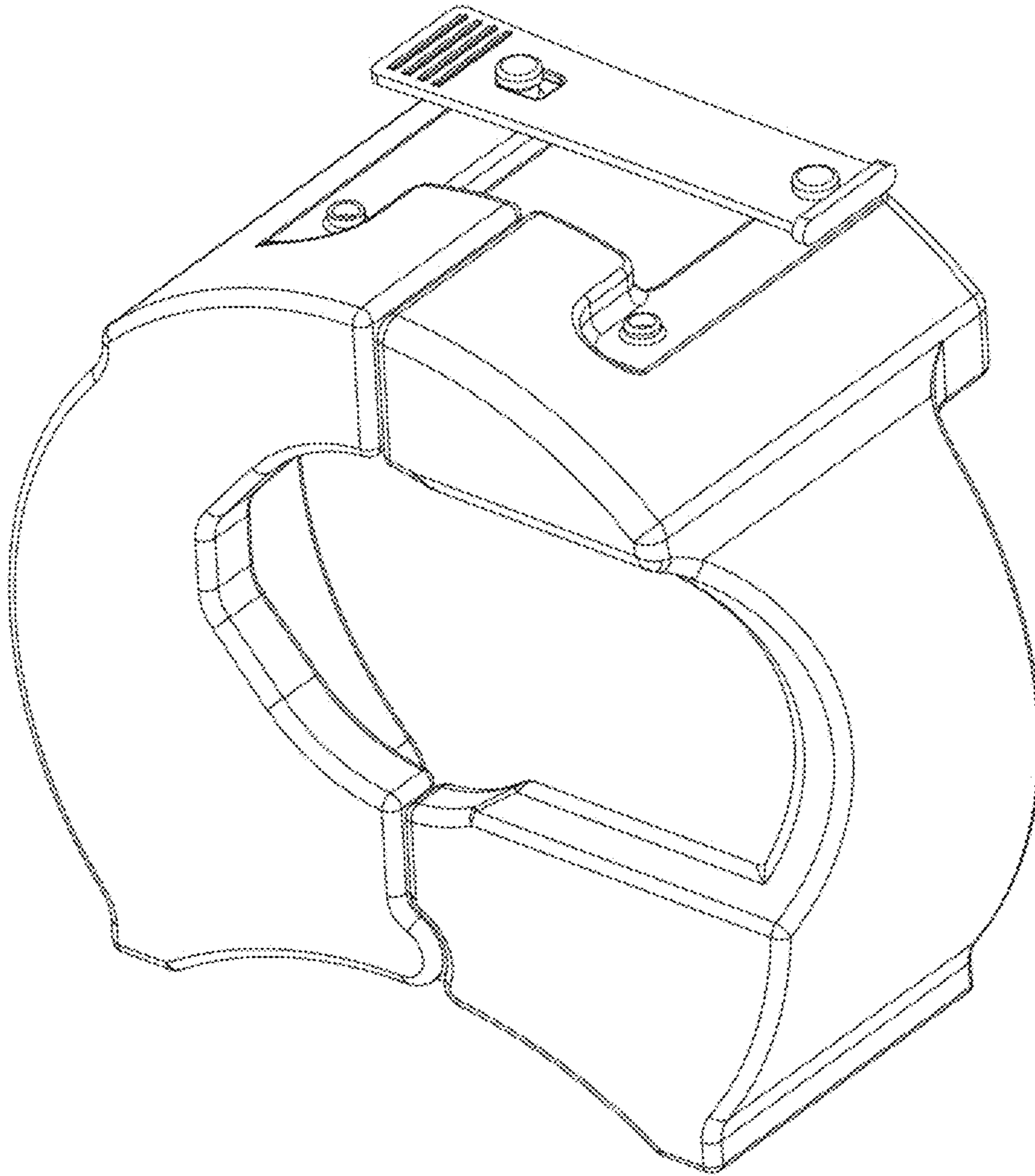


FIG. 3

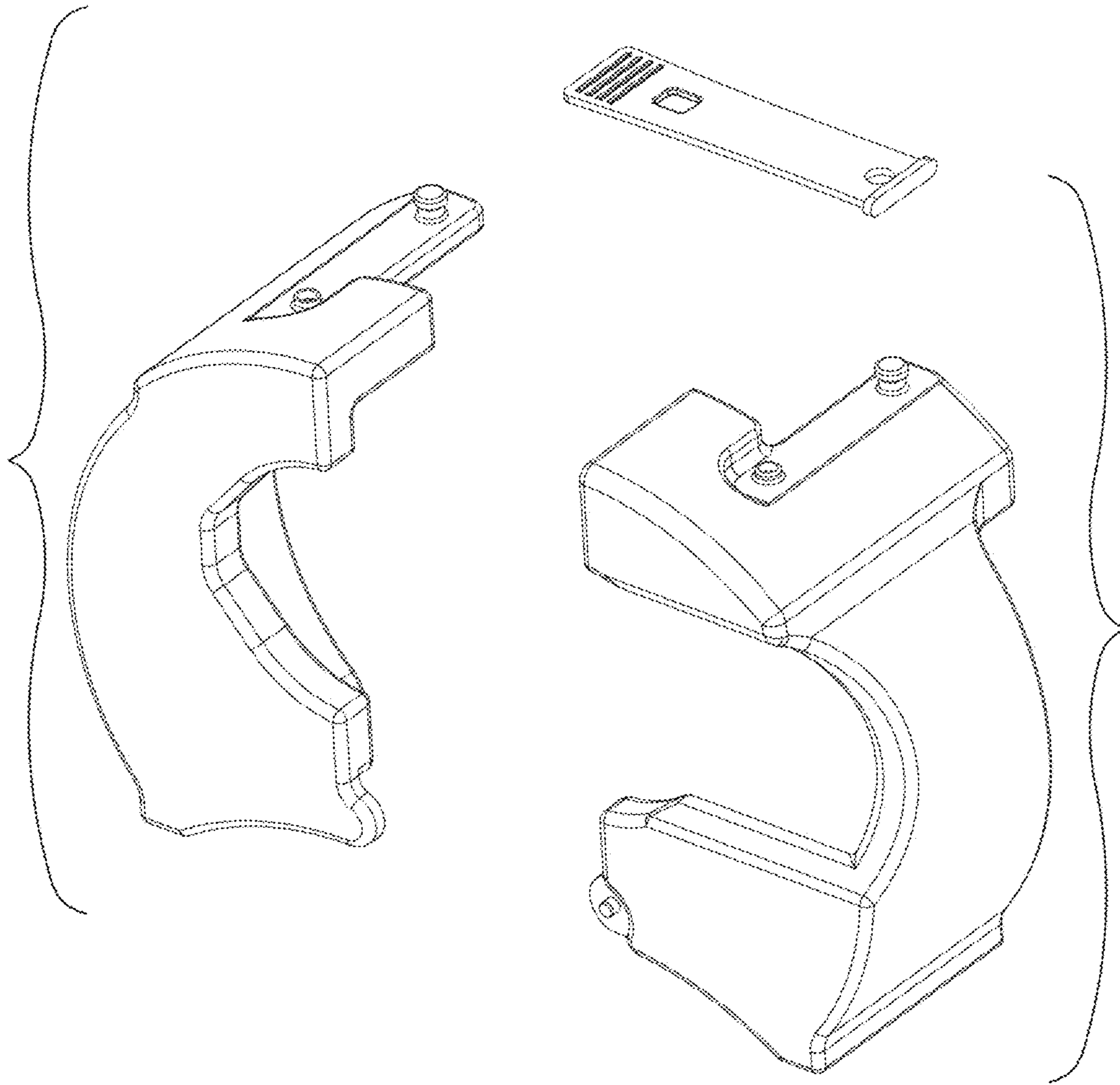


FIG. 4

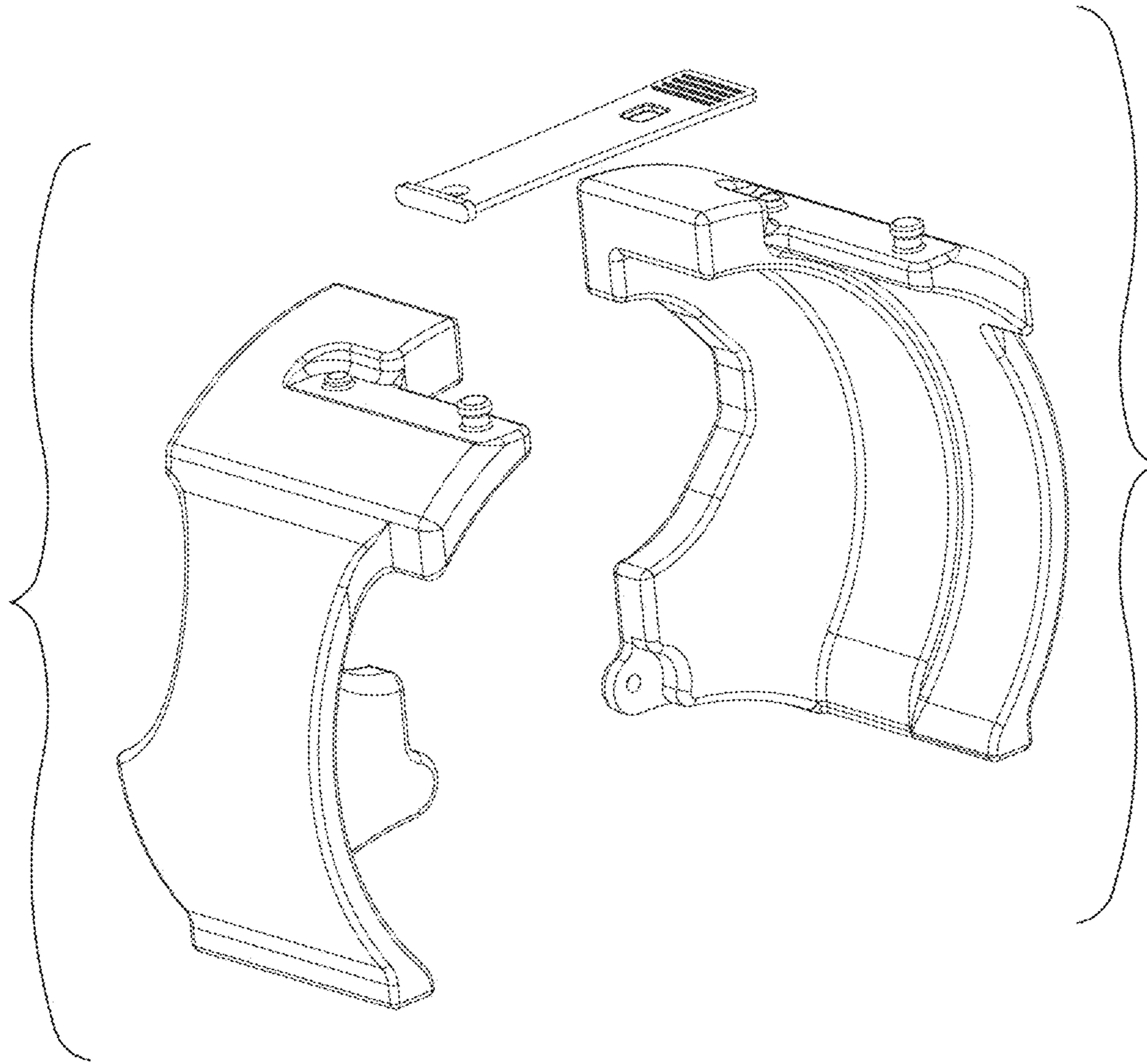


FIG. 5

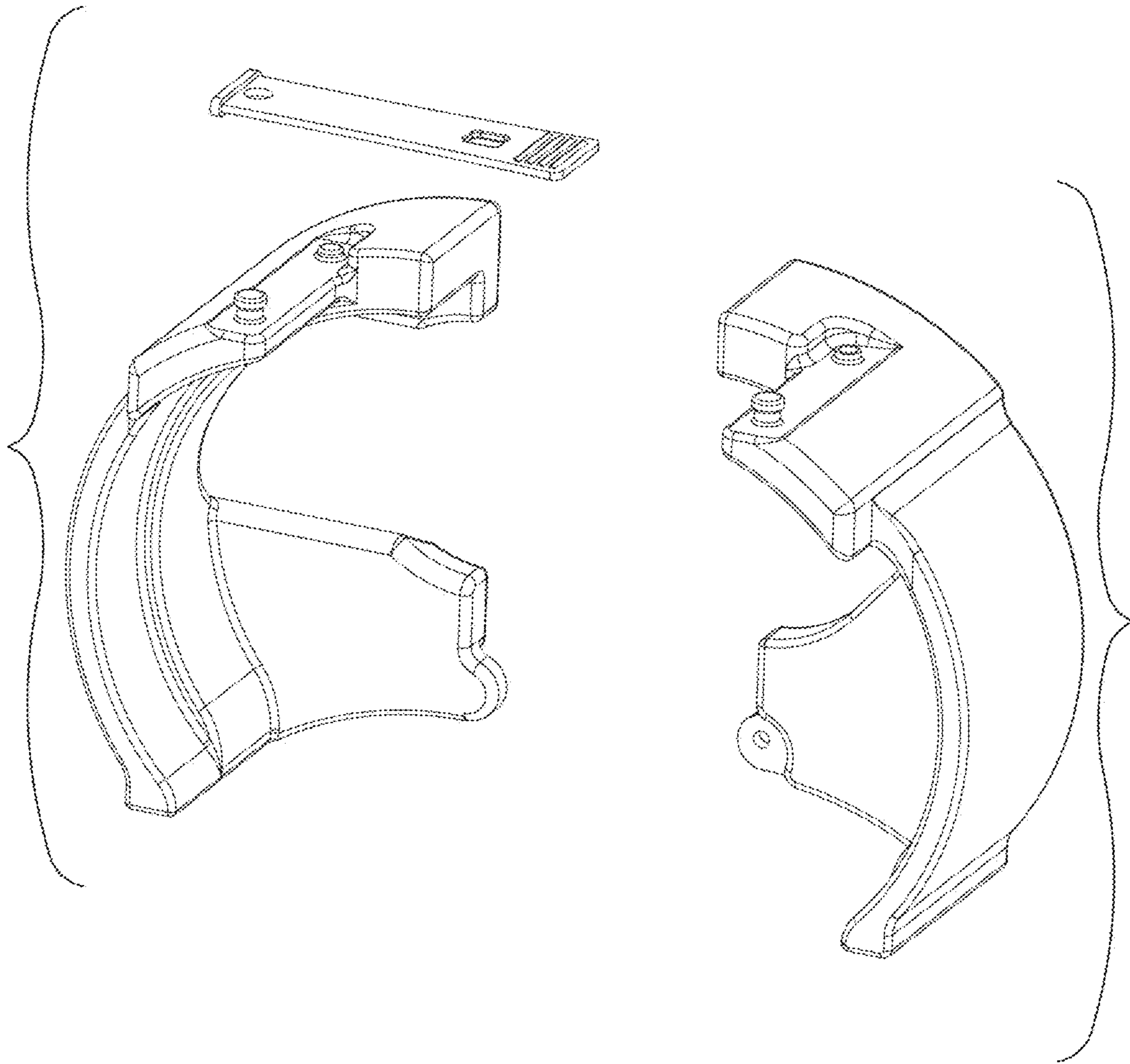


FIG. 6