



US00D927264S

(12) **United States Design Patent** (10) **Patent No.:** **US D927,264 S**
Remo (45) **Date of Patent:** **** Aug. 10, 2021**

(54) **CAPSULE**
(71) Applicant: **ASCENDO MEDIENAGENTUR AG,**
Gamprin-Bendern (LI)
(72) Inventor: **Gianni Remo,** Lugano (CH)
(73) Assignee: **ASCENDO MEDIENAGENTUR AG,**
Gamprin-Bendern (LI)
(**) Term: **15 Years**
(21) Appl. No.: **29/647,683**

D243,358 S * 2/1977 Gross D11/152
D264,244 S * 5/1982 Olsen D24/226
D265,462 S * 7/1982 Andrulionis D9/429
5,429,239 A * 7/1995 Baxter B65D 71/16
206/434
6,022,570 A * 2/2000 Richmond A45F 3/18
206/19
D507,155 S * 7/2005 Gosen D7/629
D539,643 S * 4/2007 Abel D9/414
D567,021 S * 4/2008 Bach D7/387
D606,363 S * 12/2009 Aardenburg D7/400
D652,266 S * 1/2012 Smyers D7/630
D652,291 S * 1/2012 Riales D9/429

(Continued)

(22) Filed: **May 15, 2018**
(30) **Foreign Application Priority Data**

Nov. 16, 2017 (EM) 004508935-0001

(51) **LOC (13) Cl.** **09-07**
(52) **U.S. Cl.**

USPC **D7/630**

(58) **Field of Classification Search**
USPC D7/391, 392.1, 629-630; D6/675, 675.1,
D6/675.3-675.4, 681, 690-691; D9/432,
D9/435, 751-752, 759-760, 770;
206/203, 518, 557
CPC . A47J 47/02; A47J 47/06; A47J 47/10; A47G
23/04; A47G 23/0683; B65D 1/00; B65D
45/12; B65D 45/16; B65D 45/18; B65D
45/20; B65D 45/22; B65D 45/30; B65D
11/10

See application file for complete search history.

(56) **References Cited**

U.S. PATENT DOCUMENTS

2,971,304 A * 2/1961 O'Neil B65D 85/816
53/447
D227,751 S * 7/1973 Gardner D9/428
3,814,041 A * 6/1974 Redd B21D 11/08
413/1

FOREIGN PATENT DOCUMENTS

CA 181437 * 3/2019
CH 144009-0001 * 6/2018

(Continued)

OTHER PUBLICATIONS

Refillable Nespresso Capsule, My Coffee Star, jeffsreviews.com, published by Jeff Gedgaud on Aug. 26, 2013 © not listed, online, site visited Mar. 9, 2021. Available from Internet, URL: <http://www.jeffsreviews.com/coffee-star-refillable-nespresso-capsule/> (Year: 2013).*

Primary Examiner — Marissa J Cash
Assistant Examiner — Altaira J Swangin
(74) *Attorney, Agent, or Firm* — McGlew and Tuttle, P.C.

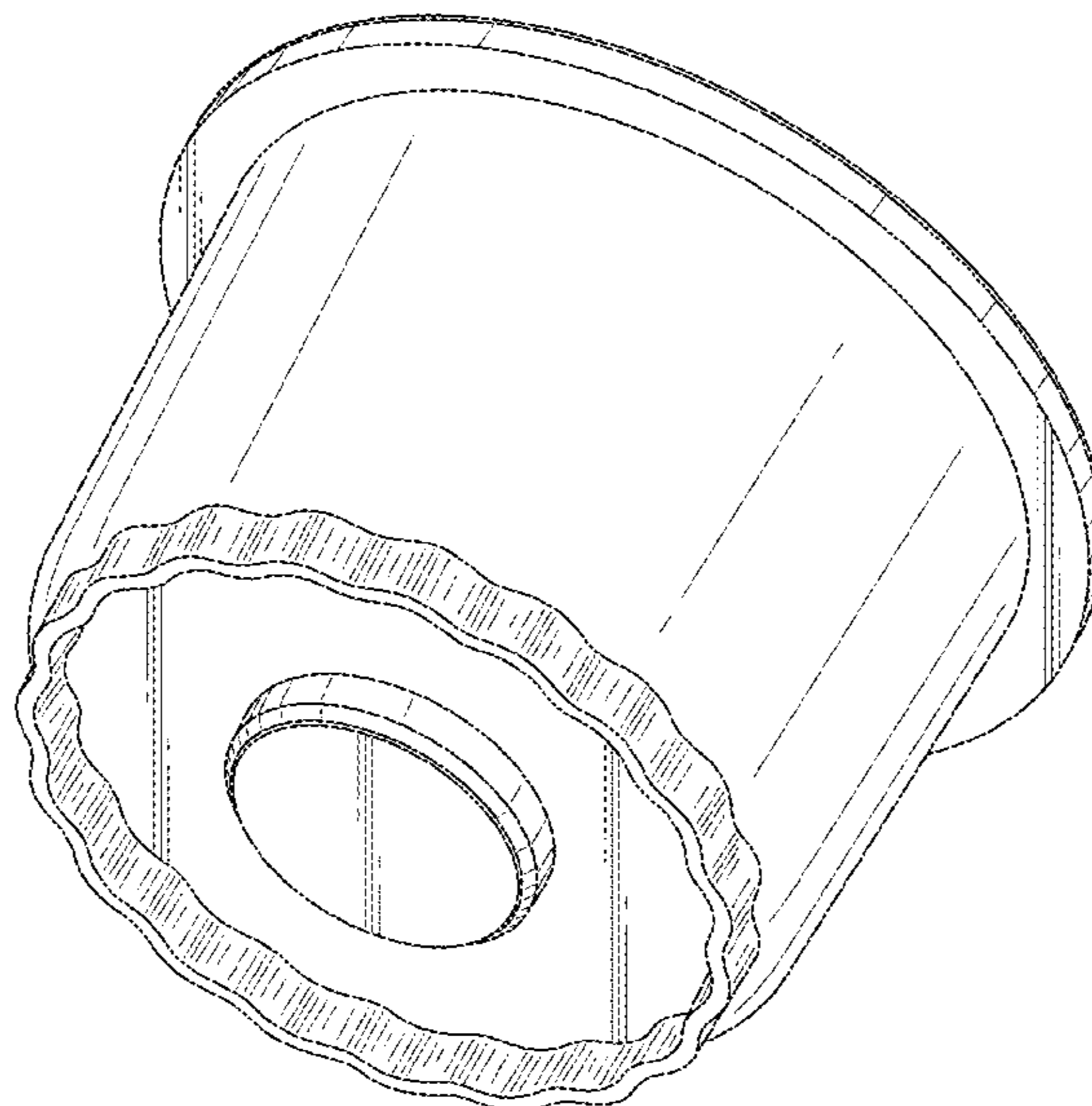
(57) **CLAIM**

The ornamental design for a capsule, as shown and described.

DESCRIPTION

FIG. 1 is a perspective view of the capsule design;
FIG. 2 is a top view thereof;
FIG. 3 is a front view thereof; and,
FIG. 4 is a bottom view thereof.

1 Claim, 4 Drawing Sheets



(56)

References Cited

U.S. PATENT DOCUMENTS

D689,768 S * 9/2013 Inderbitzin D9/429
 D695,111 S * 12/2013 Hansen B65D 85/8043
 D698,649 S * 2/2014 Quint D7/400
 D699,566 S * 2/2014 De Pra D9/425
 D700,475 S * 3/2014 Avigdor D7/400
 D707,489 S * 6/2014 Hertaus D7/397
 D715,649 S * 10/2014 O'Brien D9/500
 D719,410 S * 12/2014 Lee D7/602
 D725,438 S * 3/2015 Panone D7/602
 D727,141 S * 4/2015 Mastropasqua D9/416
 D731,884 S * 6/2015 Trombetta D9/500
 D731,890 S * 6/2015 Trombetta D9/500
 D732,390 S * 6/2015 Trombetta D9/500
 D732,949 S * 6/2015 Schroeder D9/416
 D739,083 S * 9/2015 Ho D28/85
 D745,386 S * 12/2015 Covey D9/416
 D745,824 S * 12/2015 Ritter D9/416
 D746,641 S * 1/2016 Panone D7/602
 D747,139 S * 1/2016 Rondelli D7/400
 D753,482 S * 4/2016 Serrano D9/428
 D753,483 S * 4/2016 Accursi D9/429
 D761,108 S * 7/2016 Trombetta D9/503
 D766,078 S * 9/2016 Hansen D9/416
 D770,286 S * 11/2016 Trombetta D9/503
 D796,898 S * 9/2017 Robotti D7/400
 D797,502 S * 9/2017 Robotti D7/400
 D797,503 S * 9/2017 Robotti D7/400
 D801,807 S * 11/2017 Rapparini D9/429
 D808,797 S * 1/2018 Rippin D9/429
 D815,925 S * 4/2018 Rapparini D9/500

D822,430 S * 7/2018 Hansen D7/400
 D842,093 S * 3/2019 Rapparini D9/429
 D842,094 S * 3/2019 Rapparini D9/429
 D844,379 S * 4/2019 Simonazzi D7/400
 D845,705 S * 4/2019 Simonazzi D7/400
 D850,251 S * 6/2019 Lin D9/428
 D852,589 S * 7/2019 Bertsch D7/629
 D853,547 S * 7/2019 Avidor D23/366
 D854,926 S * 7/2019 Tung D9/428
 10,336,498 B2 * 7/2019 Foster B65D 1/40
 D856,750 S * 8/2019 Pucci D9/500
 D860,777 S * 9/2019 Giovanni D9/416
 D864,707 S * 10/2019 Valsecchi D9/416
 D908,480 S * 1/2021 Held D9/416
 2010/0064899 A1 * 3/2010 Aardenburg A47J 31/3633
 99/295
 2014/0120217 A1 * 5/2014 O'Brien B65D 85/8043
 426/115
 2015/0166257 A1 * 6/2015 Trombetta B65D 85/8043
 426/87
 2019/0015735 A1 * 1/2019 Lin A63F 9/001
 2020/0405090 A1 * 12/2020 Remo B65D 85/8043

FOREIGN PATENT DOCUMENTS

CN 304115694 * 4/2017
 KR 300544990.0000 * 6/2008
 KR 300781590.0000 * 1/2015
 KR 301011615.0000 * 6/2019
 RS 11302-0001 * 1/2019
 RU 00114150 * 4/2019
 TR 201803306-0001 * 8/2018

* cited by examiner

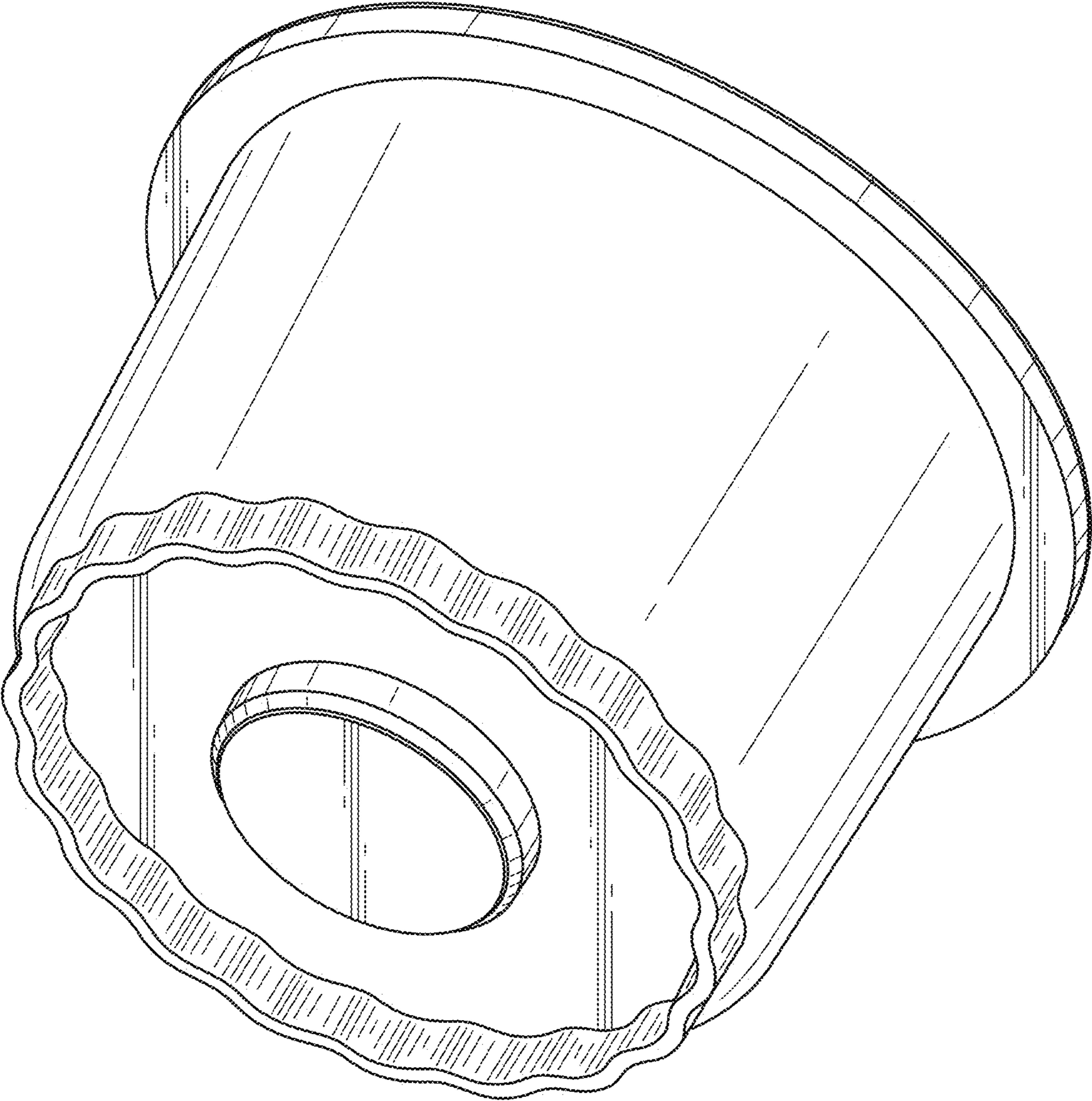


FIG. 1

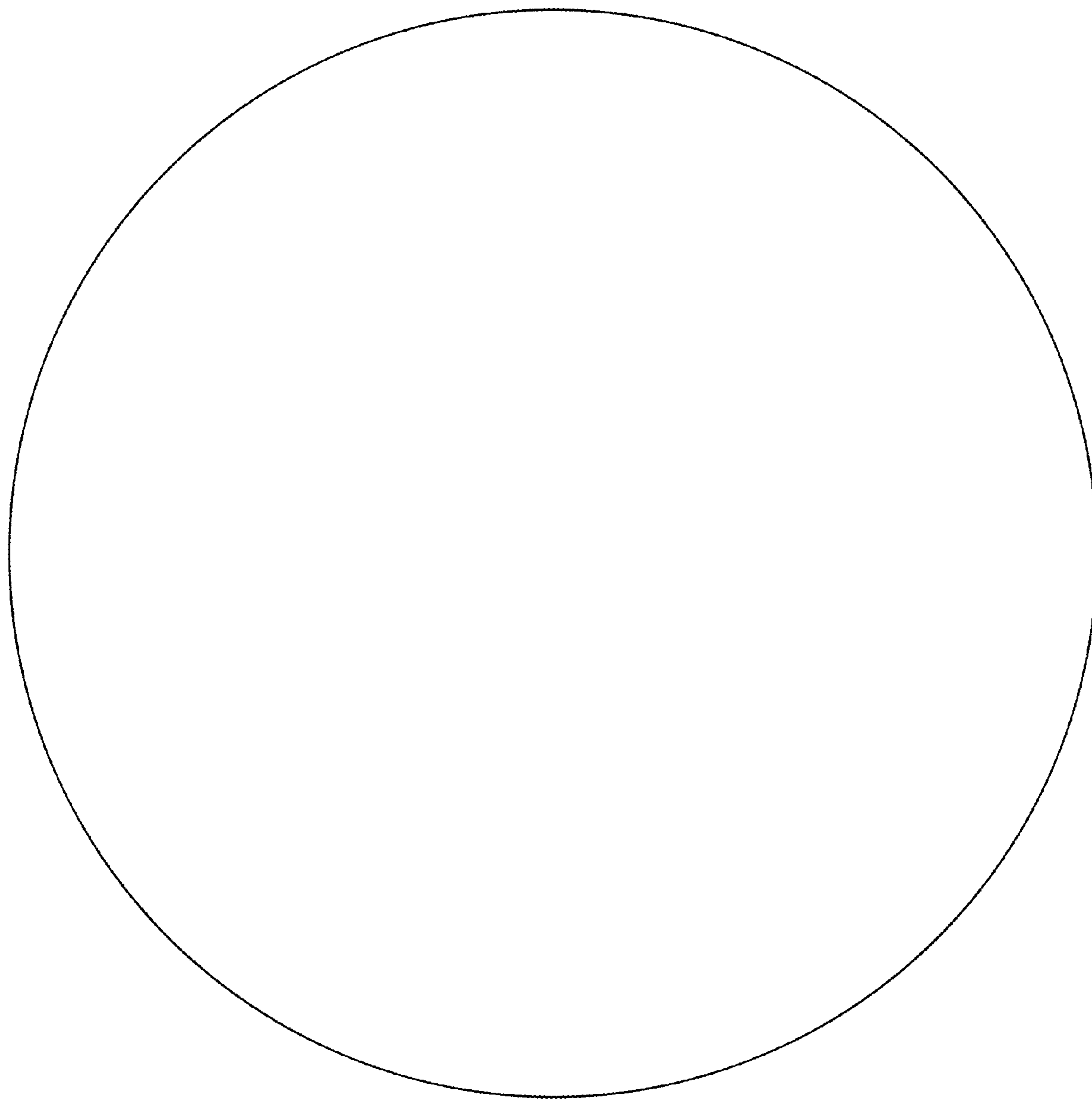


FIG. 2

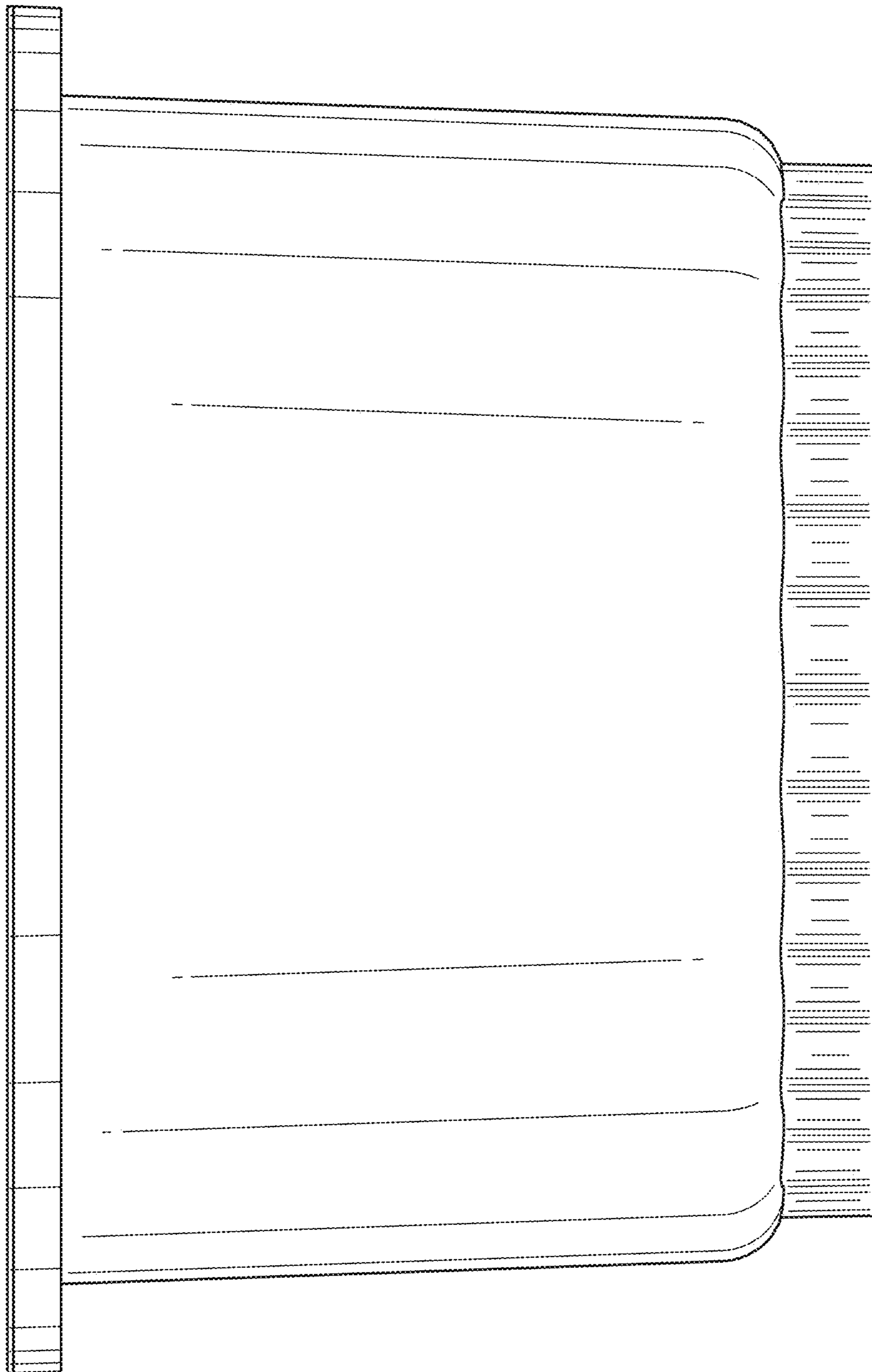


FIG. 3

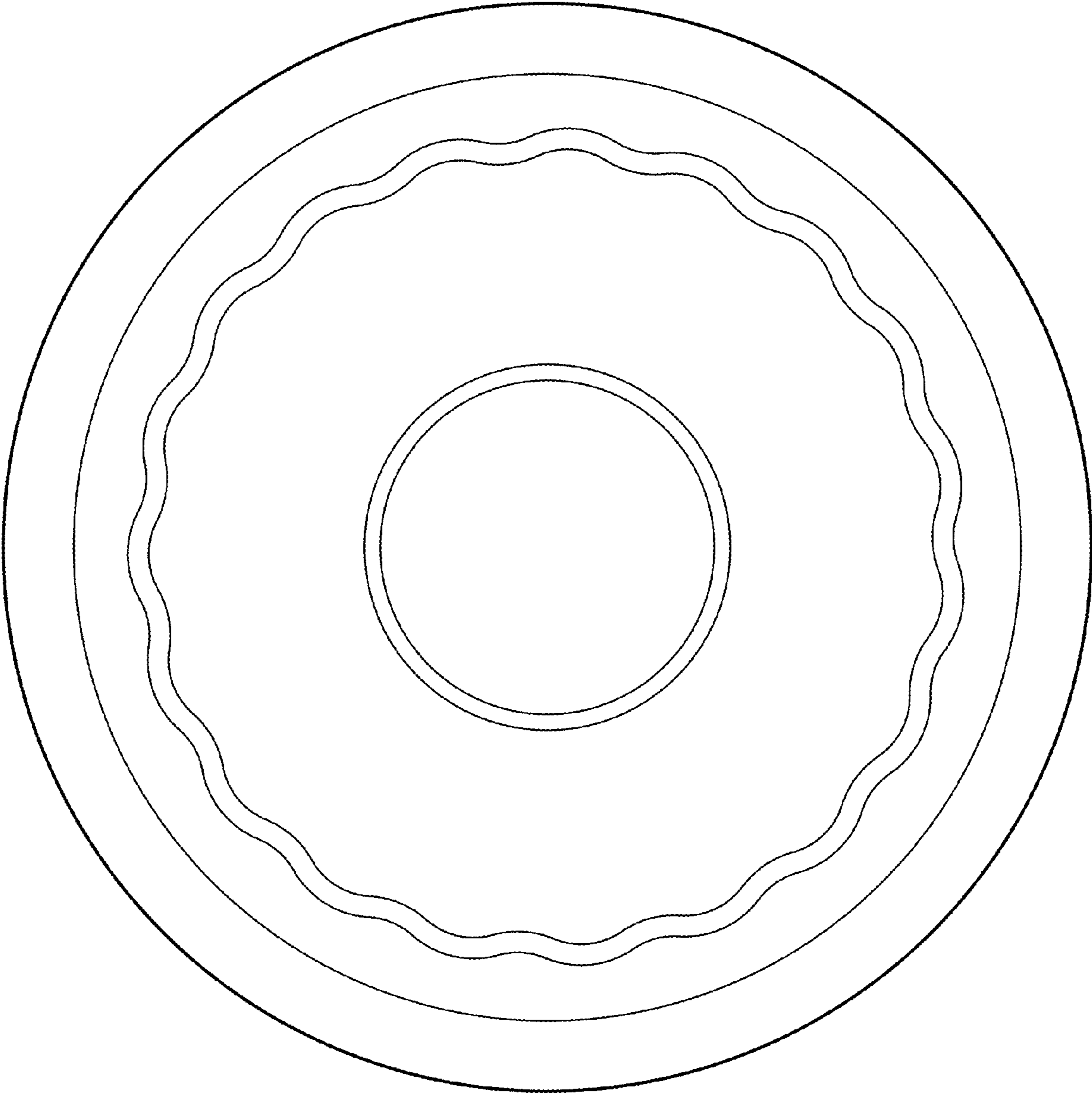


FIG. 4