



US00D927261S

(12) **United States Design Patent** (10) **Patent No.:** **US D927,261 S**  
**Rong** (45) **Date of Patent:** **\*\* Aug. 10, 2021**

(54) **CONTAINER FOR FOOD PACKAGES**

(71) Applicant: **Zhijun Rong**, Guangdong (CN)

(72) Inventor: **Zhijun Rong**, Guangdong (CN)

(73) Assignee: **Shenzhen Century-star Audio & Visuals Co., Ltd.**, Guangdong (CN)

(\*\*) Term: **15 Years**

(21) Appl. No.: **29/701,531**

(22) Filed: **Aug. 13, 2019**

(51) **LOC (13) Cl.** ..... **07-01**

(52) **U.S. Cl.**  
USPC ..... **D7/607; D3/287**

(58) **Field of Classification Search**  
USPC ..... D3/273, 276, 283, 284, 285, 287, 289, D3/301; D7/605-607, 709, 710  
CPC ..... F25D 3/08; F25D 3/02; F25D 3/04; F25D 3/06; F25D 3/14; F25D 3/107; F25D 2331/804; F25D 2331/801; B65D 81/38; B65D 81/3813; B65D 81/3816; B65D 81/3818; B65D 81/382; B65D 81/3825; B65D 81/3827; B65D 81/383; B65D 81/3848; B65D 81/3851; B65D 81/3853; B65D 81/3855; B65D 81/3858; B65D 81/386; B65D 81/3862; A45C 11/20; A45C 3/00; A45C 2003/008; A45C 1/02  
See application file for complete search history.

(56) **References Cited**

**U.S. PATENT DOCUMENTS**

D299,406 S \* 1/1989 Jacober ..... D7/332  
4,805,776 A \* 2/1989 Namgyal ..... A45C 3/00  
206/523

D387,249 S \* 12/1997 Mogil ..... D7/607  
D464,235 S \* 10/2002 Jeong ..... D3/287  
D619,423 S \* 7/2010 Koehler ..... D7/607  
8,043,004 B2 \* 10/2011 Mogil ..... B65D 81/38  
383/38  
2005/0263528 A1 \* 12/2005 Maldonado ..... A45C 11/20  
220/592.2  
2014/0311170 A1 \* 10/2014 Mills ..... F25D 11/003  
62/62  
2019/0170422 A1 \* 6/2019 Dexter ..... F25D 3/08  
\* cited by examiner

*Primary Examiner* — Terry A Wallace

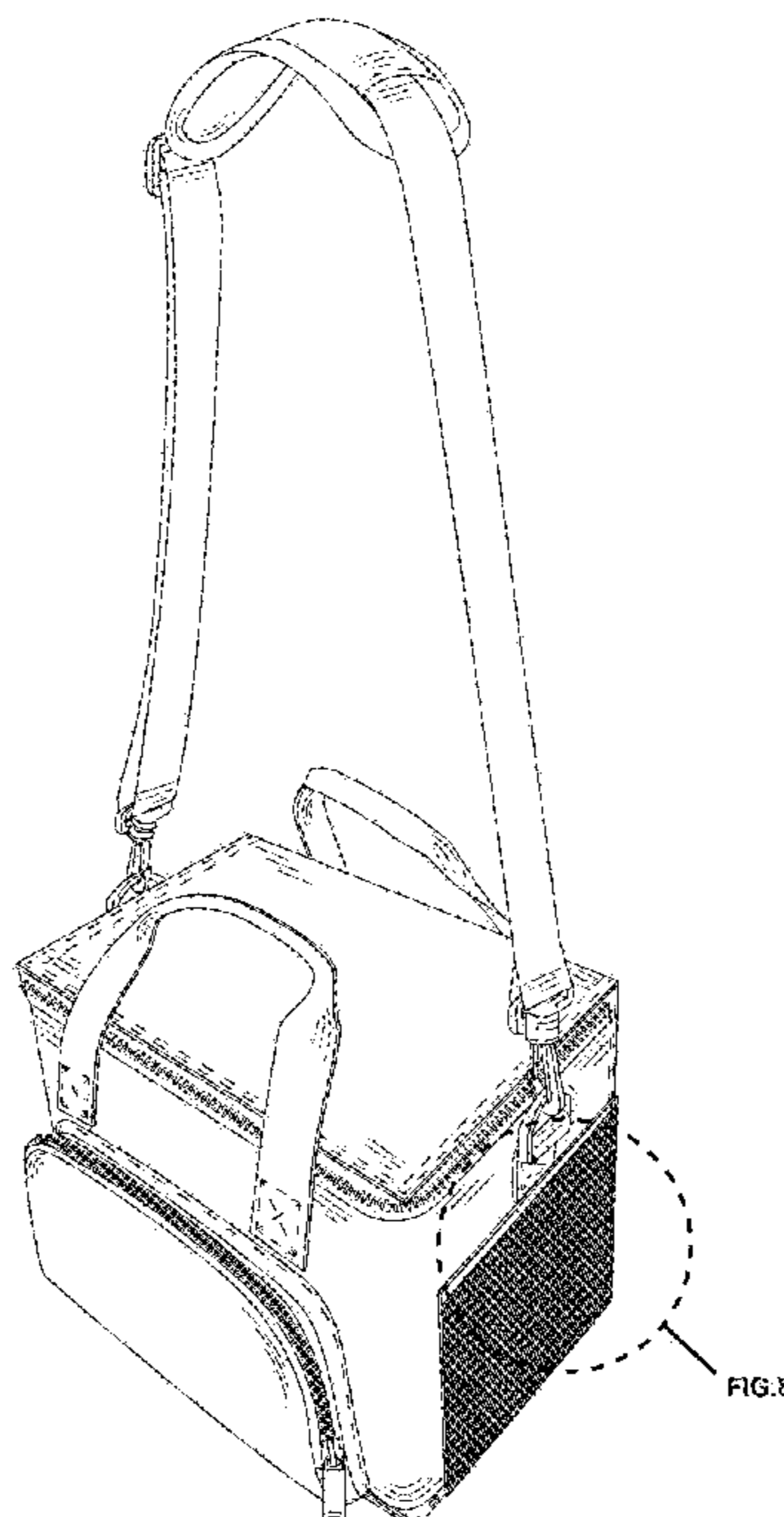
(57) **CLAIM**

The ornamental design for a container for food packages, as shown and described.

**DESCRIPTION**

FIG. 1 is a perspective view of a container for food packages showing my new design;  
FIG. 2 is a front elevation view thereof;  
FIG. 3 is a rear elevation view thereof;  
FIG. 4 is a left side elevation view thereof;  
FIG. 5 is a right side elevation view thereof;  
FIG. 6 is a top plan view thereof;  
FIG. 7 is a bottom plan view thereof; and,  
FIG. 8 is an enlarged view of the container for food packages taken from the circled portion in FIG. 1.  
In FIGS. 1 and 8, the dotted circle illustrate the environment of the container for food packages which forms no part of the claimed design.  
The broken lines in the bands and the parallel broken lines in the container for food packages depict stitching lines and form no part of the claimed design.

**1 Claim, 8 Drawing Sheets**



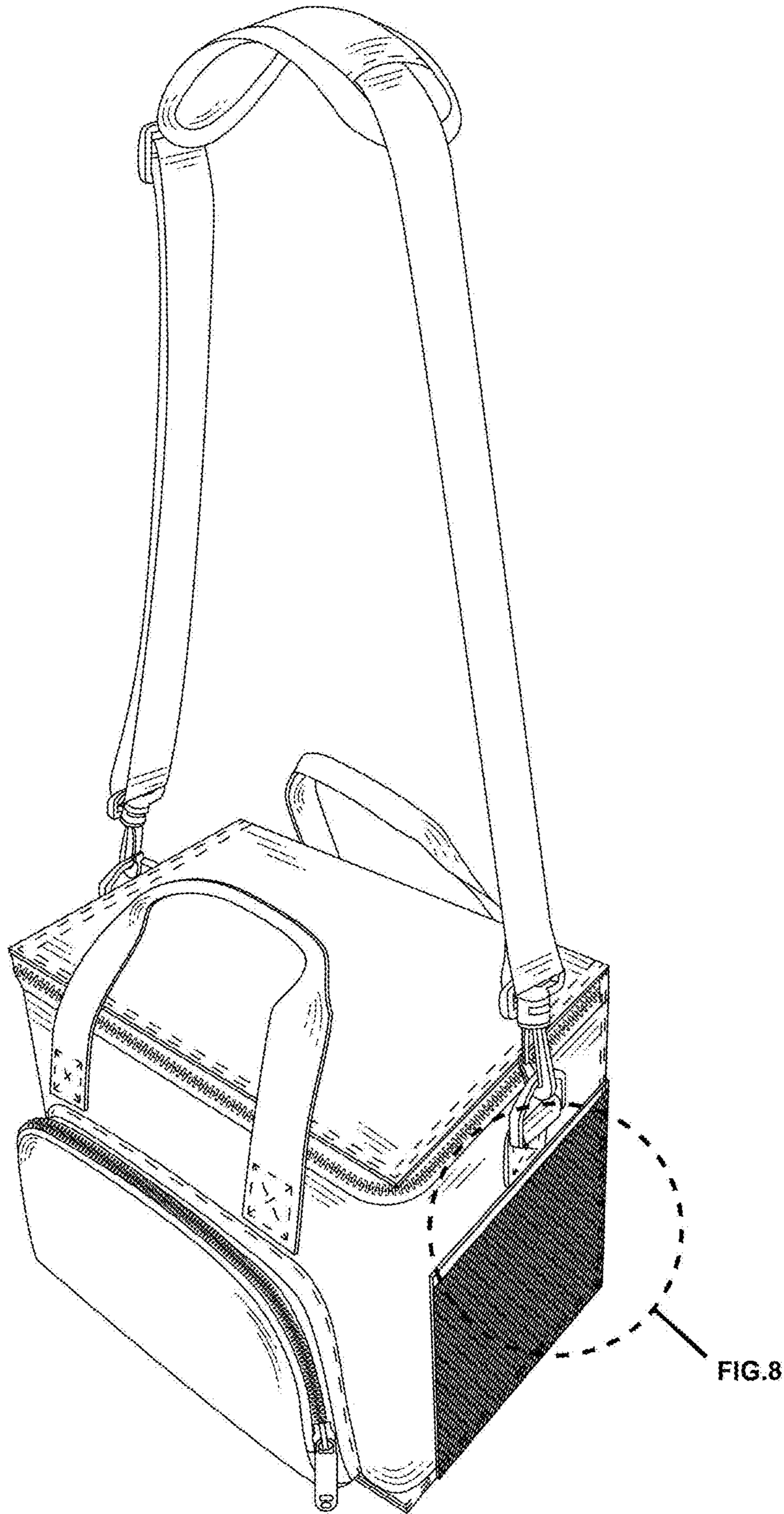


FIG. 1

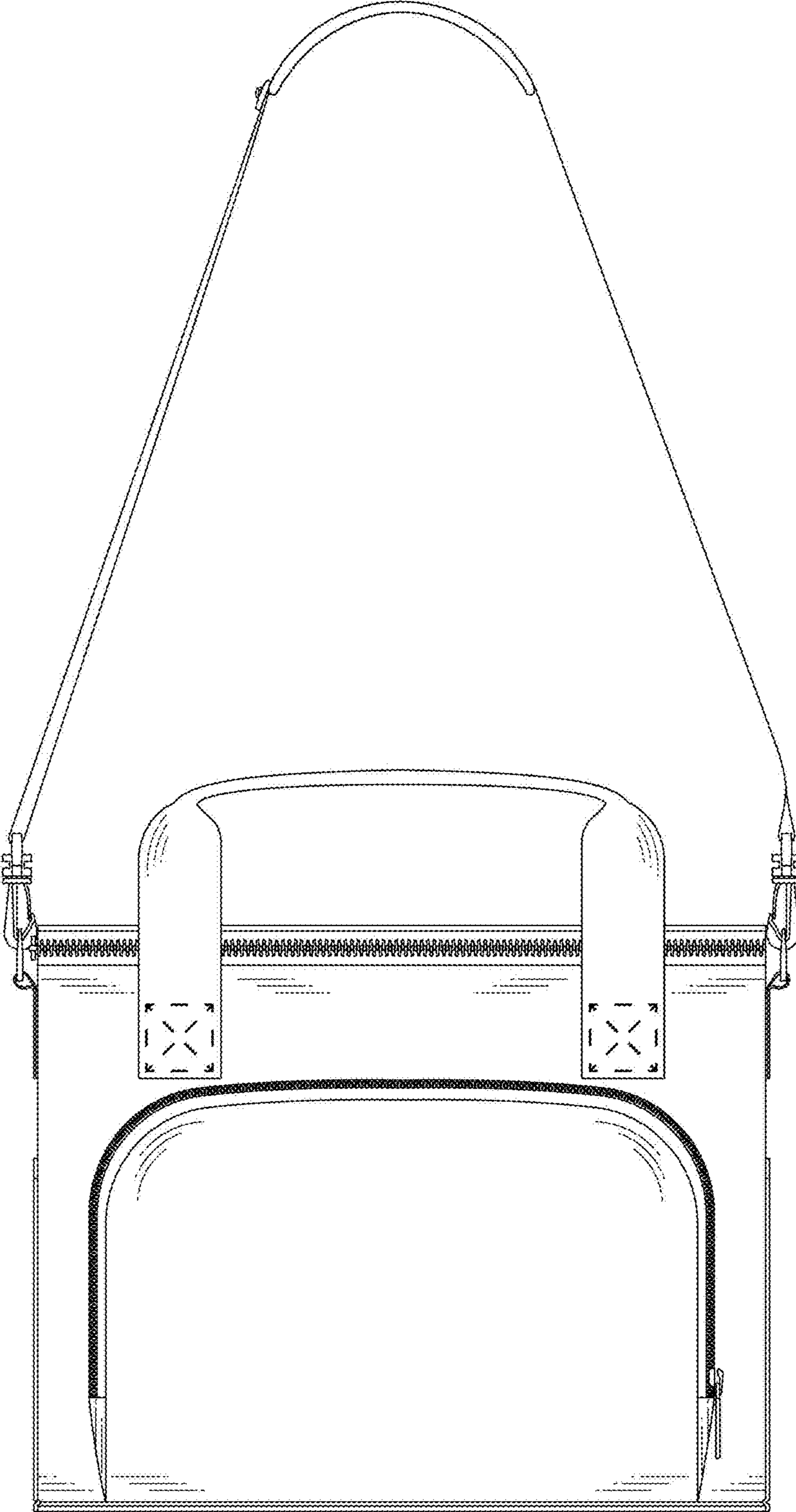


FIG.2

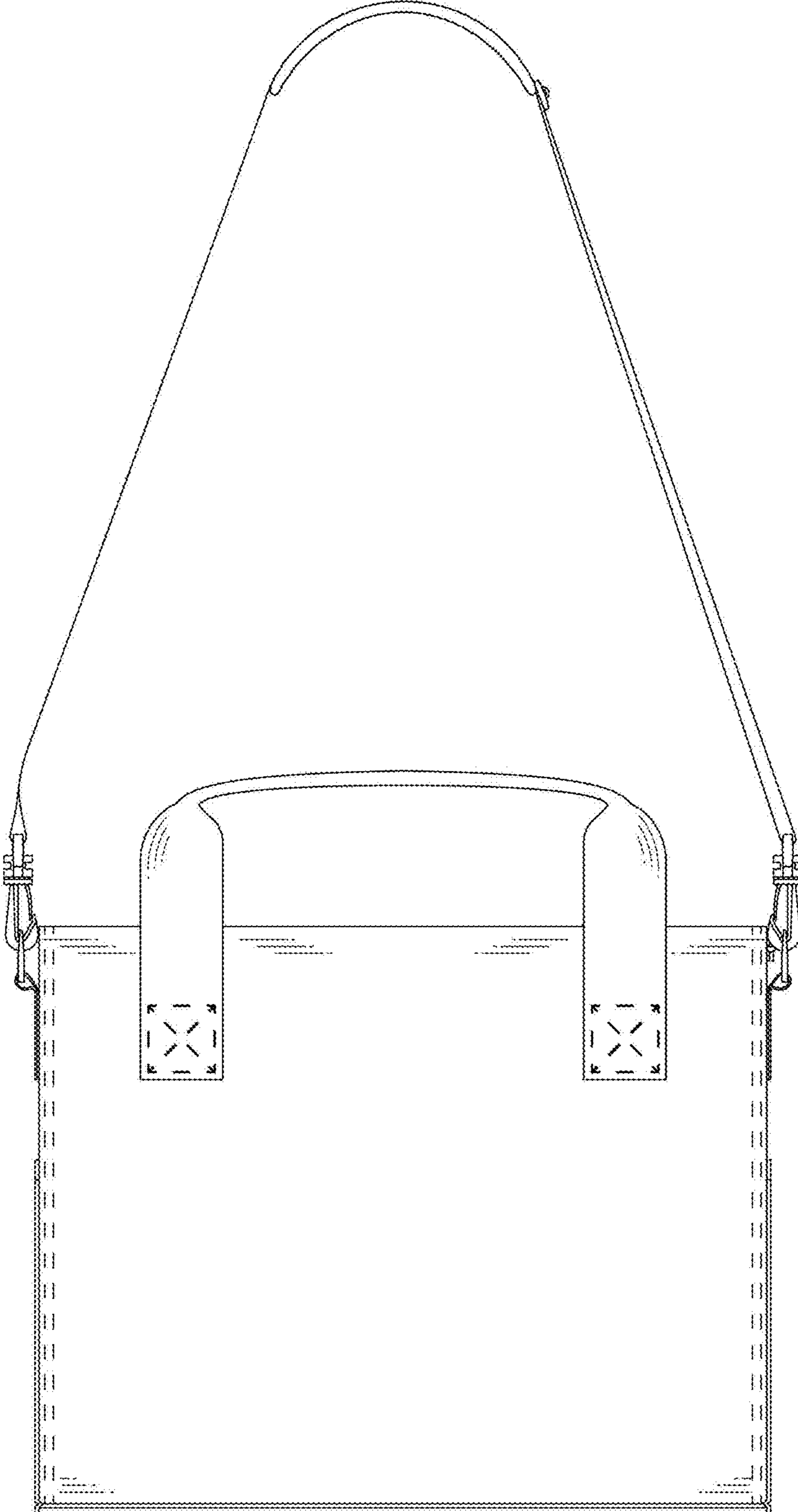


FIG.3

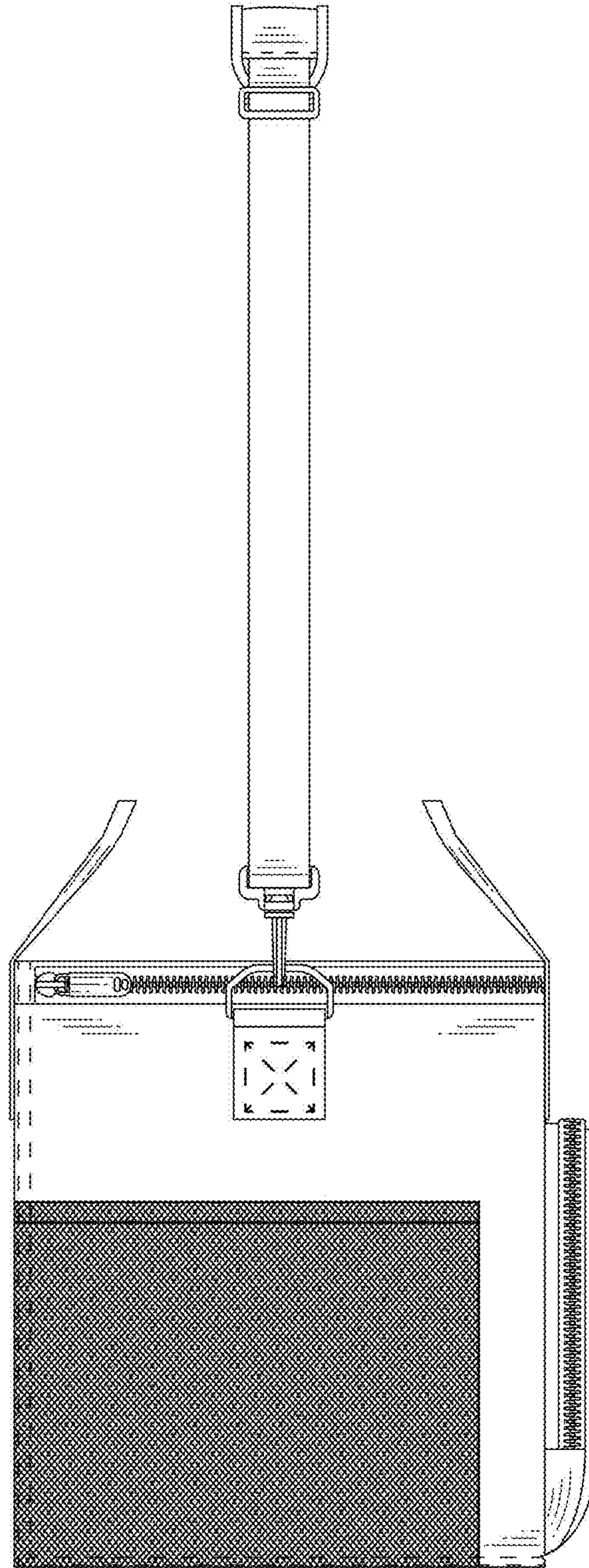


FIG.4

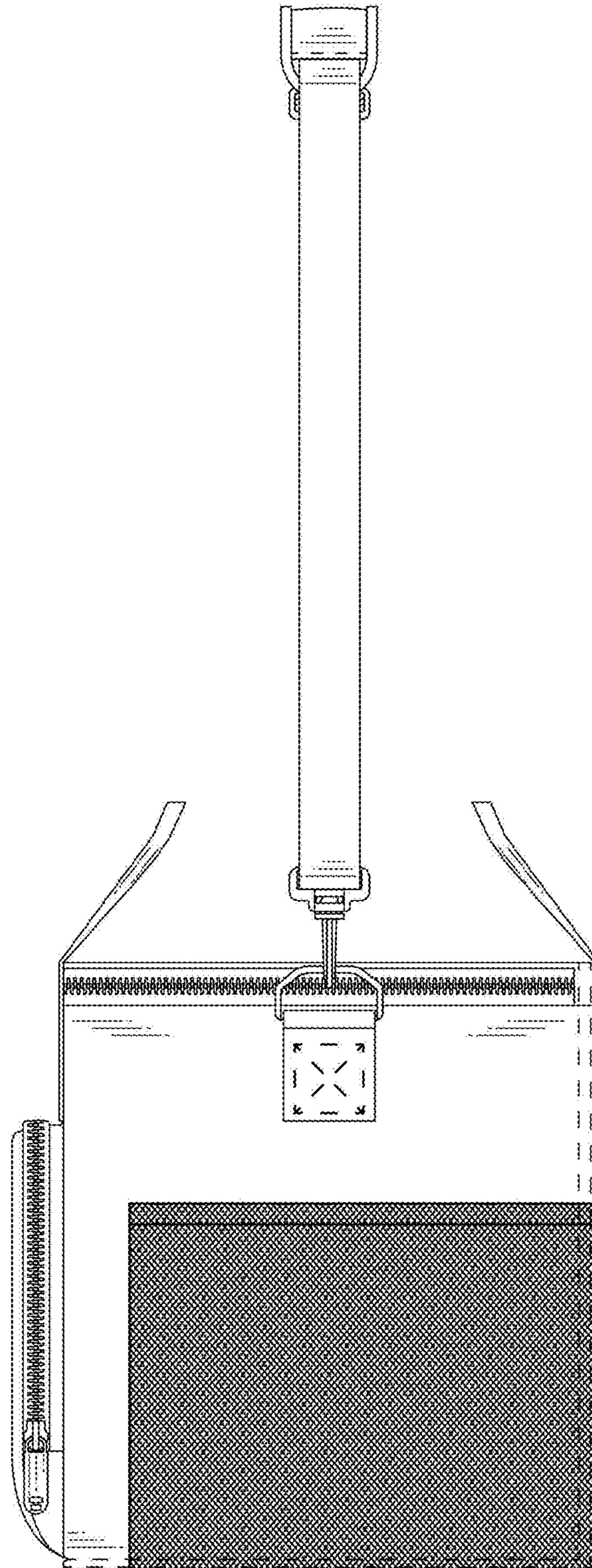


FIG. 5

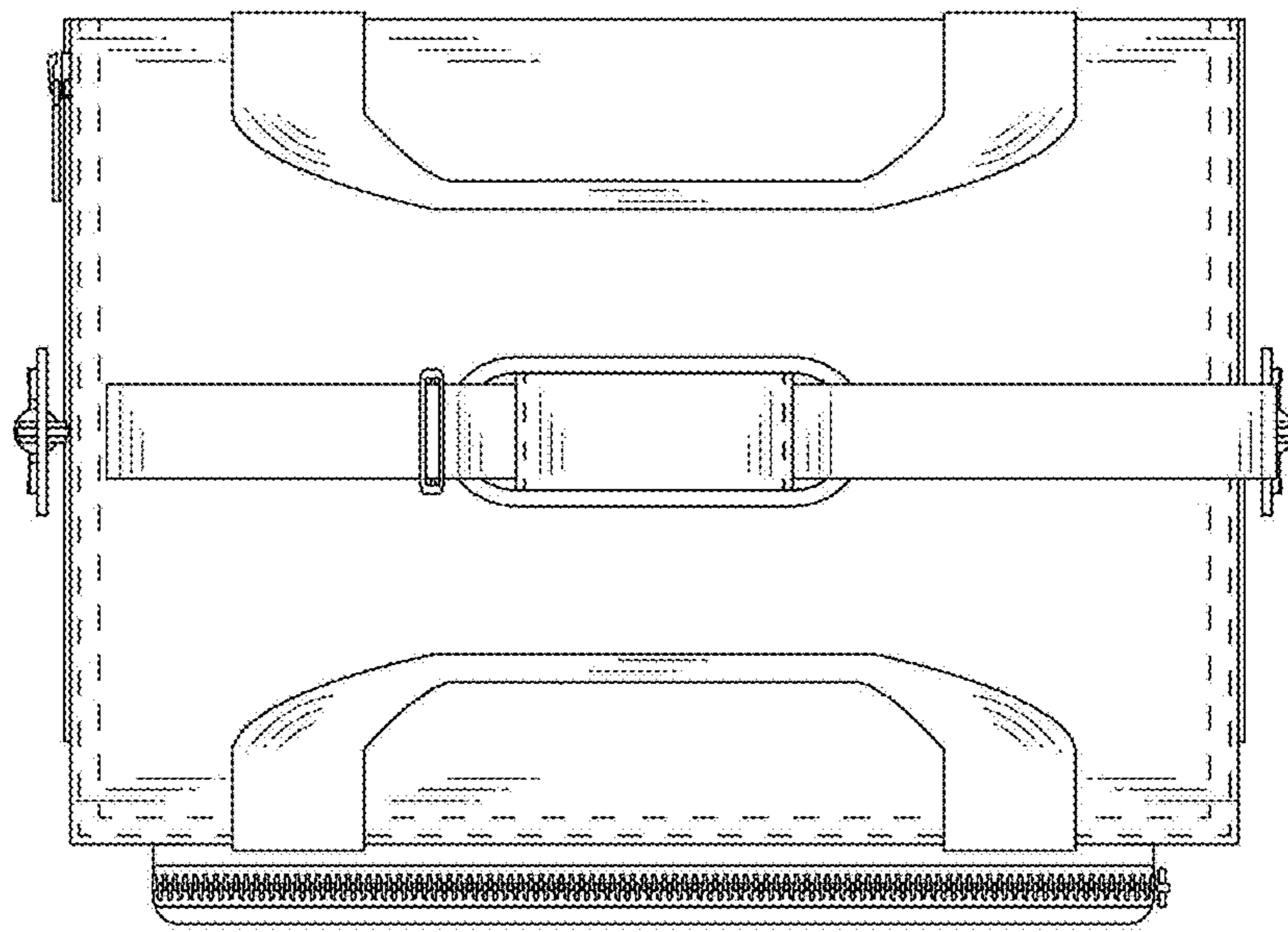


FIG. 6

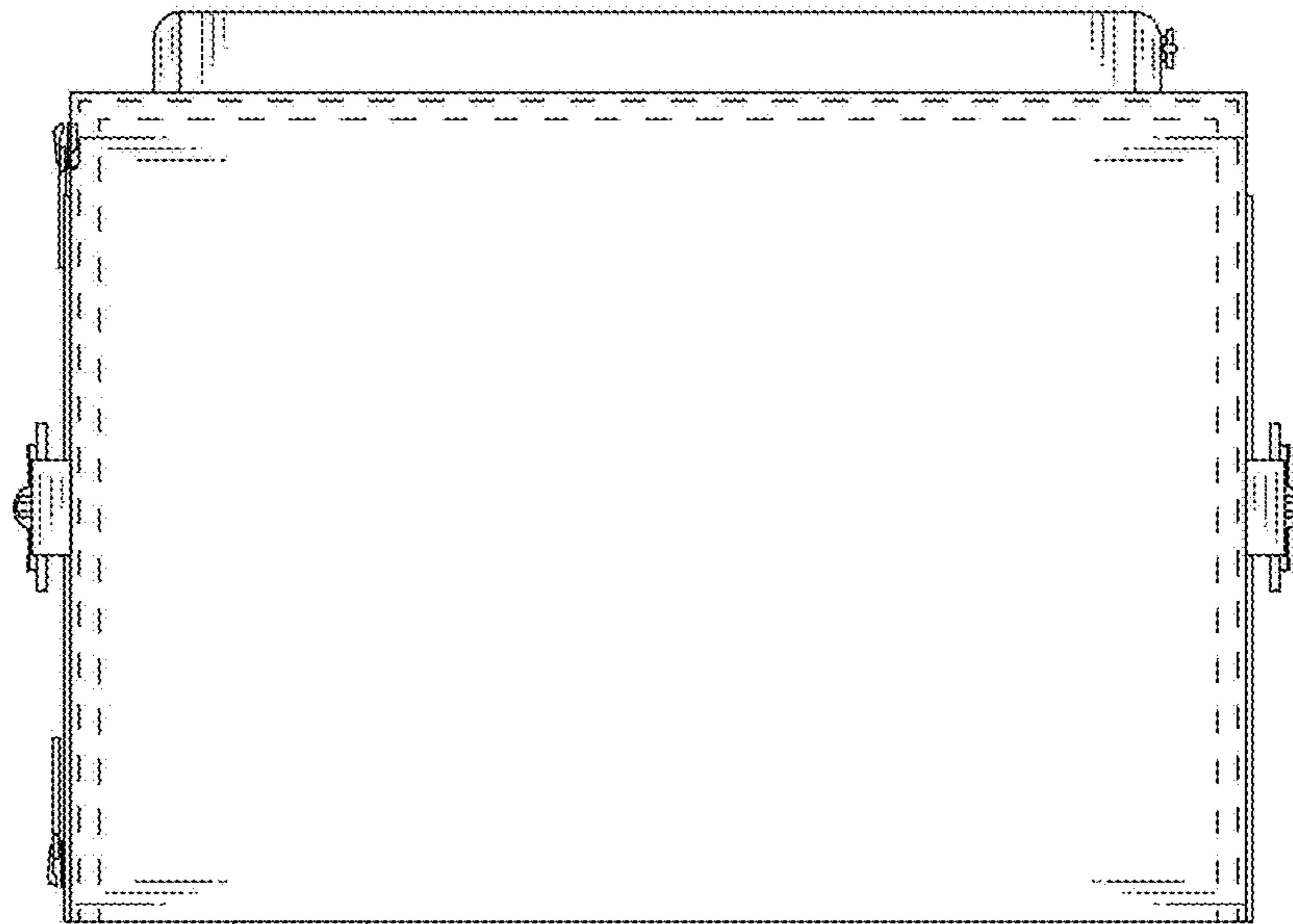


FIG. 7



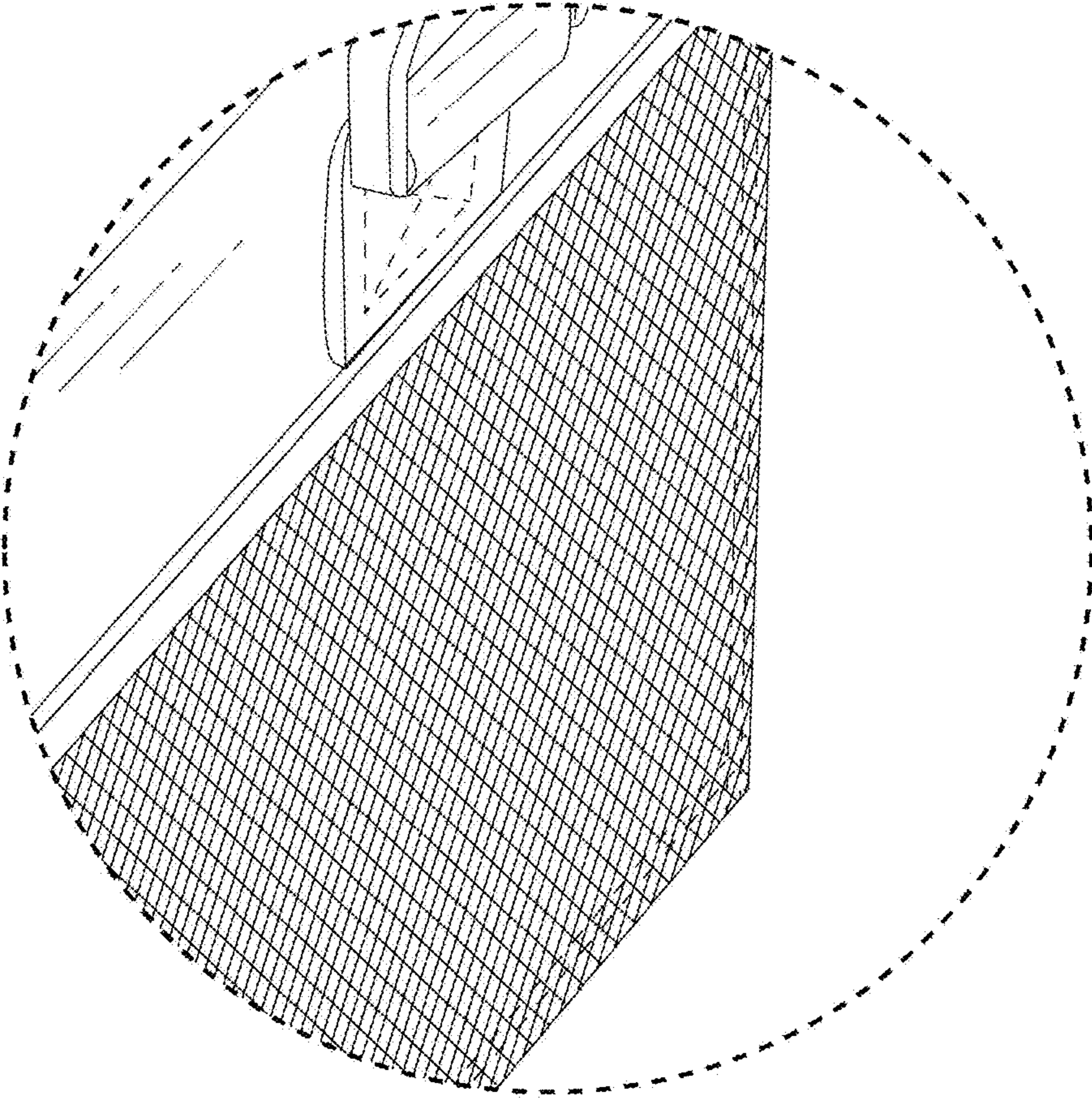


FIG. 8