



US00D927260S

(12) **United States Design Patent** (10) **Patent No.:** **US D927,260 S**
Winters Giesting et al. (45) **Date of Patent:** **** Aug. 10, 2021**

(54) **DUAL COMPARTMENT COOLER**

(71) Applicant: **The Gem Group, Inc.**, Lawrence, MA (US)

(72) Inventors: **Meredith Winters Giesting**, Brookline, MA (US); **Calvin Tabor**, Westford, MA (US); **Kimberly M. Piazza**, Windham, NH (US)

(73) Assignee: **The Gem Group, Inc.**, Lawrence, MA (US)

(**) Term: **15 Years**

(21) Appl. No.: **29/700,769**

(22) Filed: **Aug. 6, 2019**

(51) **LOC (13) Cl.** **07-01**

(52) **U.S. Cl.**
USPC **D7/607**

(58) **Field of Classification Search**
USPC D7/605–608, 709, 710; D3/273, 276, D3/289, 301

CPC F25D 3/08; F25D 3/02; F25D 3/04; F25D 3/06; F25D 3/14; F25D 3/107; F25D 2331/804; F25D 2331/801; B65D 81/38; B65D 81/3813; B65D 81/3816; B65D 81/3818; B65D 81/382; B65D 81/3823; B65D 81/3825; B65D 81/3827; B65D 81/383; B65D 81/3832; B65D 81/3834; B65D 81/3848; B65D 81/3851; B65D 81/3853; B65D 81/3855; B65D 81/3858; B65D 81/386; B65D 81/3862; A45C 11/20; A45C 3/00; A45C 2003/008

See application file for complete search history.

(56) **References Cited**

U.S. PATENT DOCUMENTS

6,390,260 B1 * 5/2002 Roegner A45C 3/00 190/1
D515,362 S * 2/2006 Chan D3/289
D883,667 S * 5/2020 Barlier D3/285

* cited by examiner

Primary Examiner — Terry A Wallace

(74) *Attorney, Agent, or Firm* — Loginov & Associates, PLLC; William A. Loginov

(57) **CLAIM**

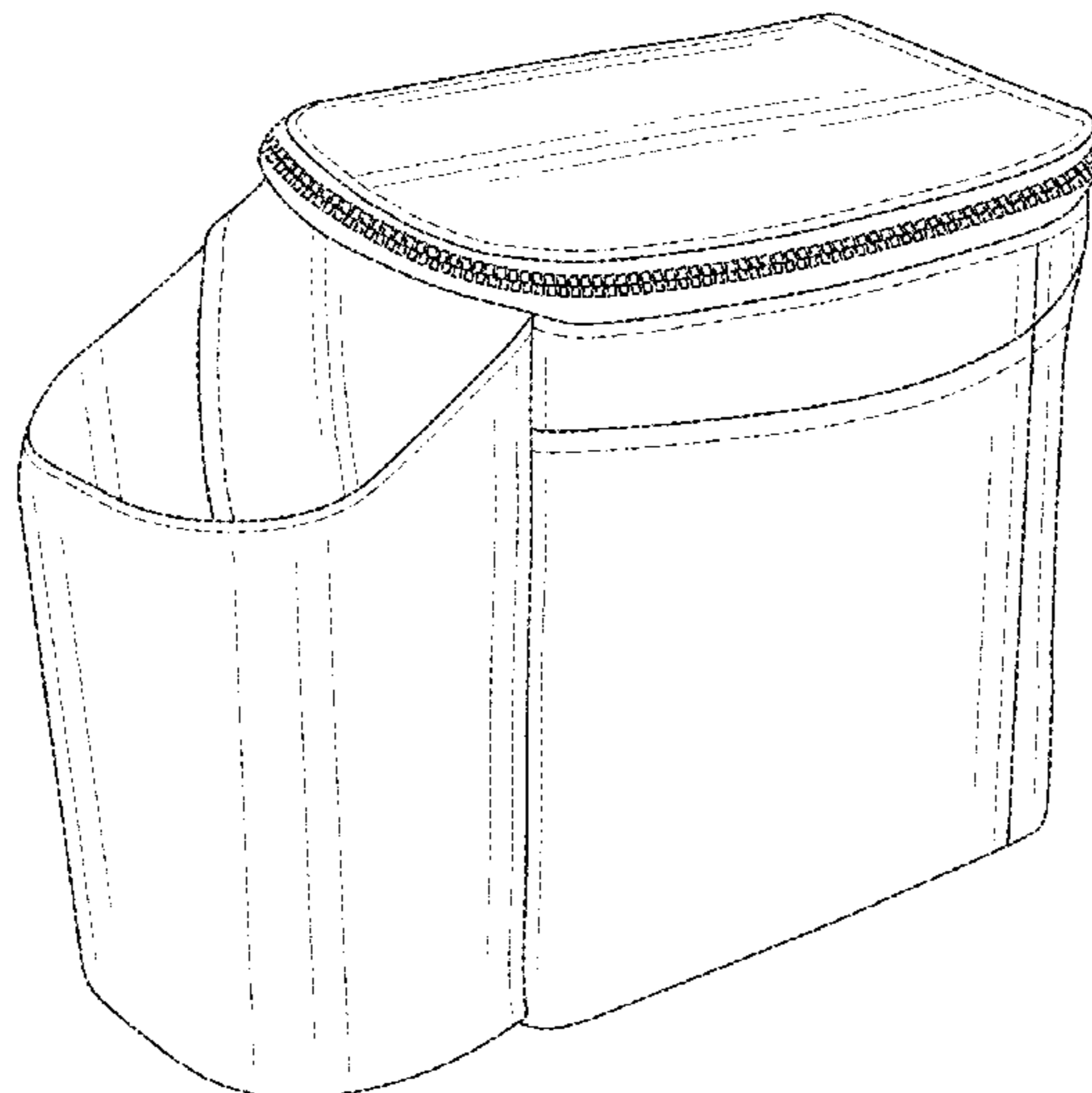
The ornamental design for a dual compartment cooler, as shown and described.

DESCRIPTION

FIG. 1 is a perspective view of a dual compartment cooler, according to a first embodiment;
FIG. 2 is a front view of the dual compartment cooler, according to the first embodiment;
FIG. 3 is a rear view of the dual compartment cooler, according to the first embodiment;
FIG. 4 is a left side view of the dual compartment cooler, according to the first embodiment;
FIG. 5 is a right side view of the dual compartment cooler, according to the first embodiment;
FIG. 6 is a top view of the dual compartment cooler, according to the first embodiment;
FIG. 7 is a bottom view of the dual compartment cooler, according to the first embodiment;
FIG. 8 is a perspective view of a dual compartment cooler, according to a second embodiment;
FIG. 9 is a front view of the dual compartment cooler, according to the second embodiment;
FIG. 10 is a rear view of the dual compartment cooler, according to the second embodiment;
FIG. 11 is a left side view of the dual compartment cooler, according to the second embodiment;
FIG. 12 is a right side view of the dual compartment cooler, according to the second embodiment;
FIG. 13 is a top view of the dual compartment cooler, according to the second embodiment; and,
FIG. 14 is a bottom view of the dual compartment cooler, according to the second embodiment.

The broken line elements in the views of FIGS. 8-14 are for illustrative and environmental purposes only and form no part of the claimed design.

1 Claim, 8 Drawing Sheets



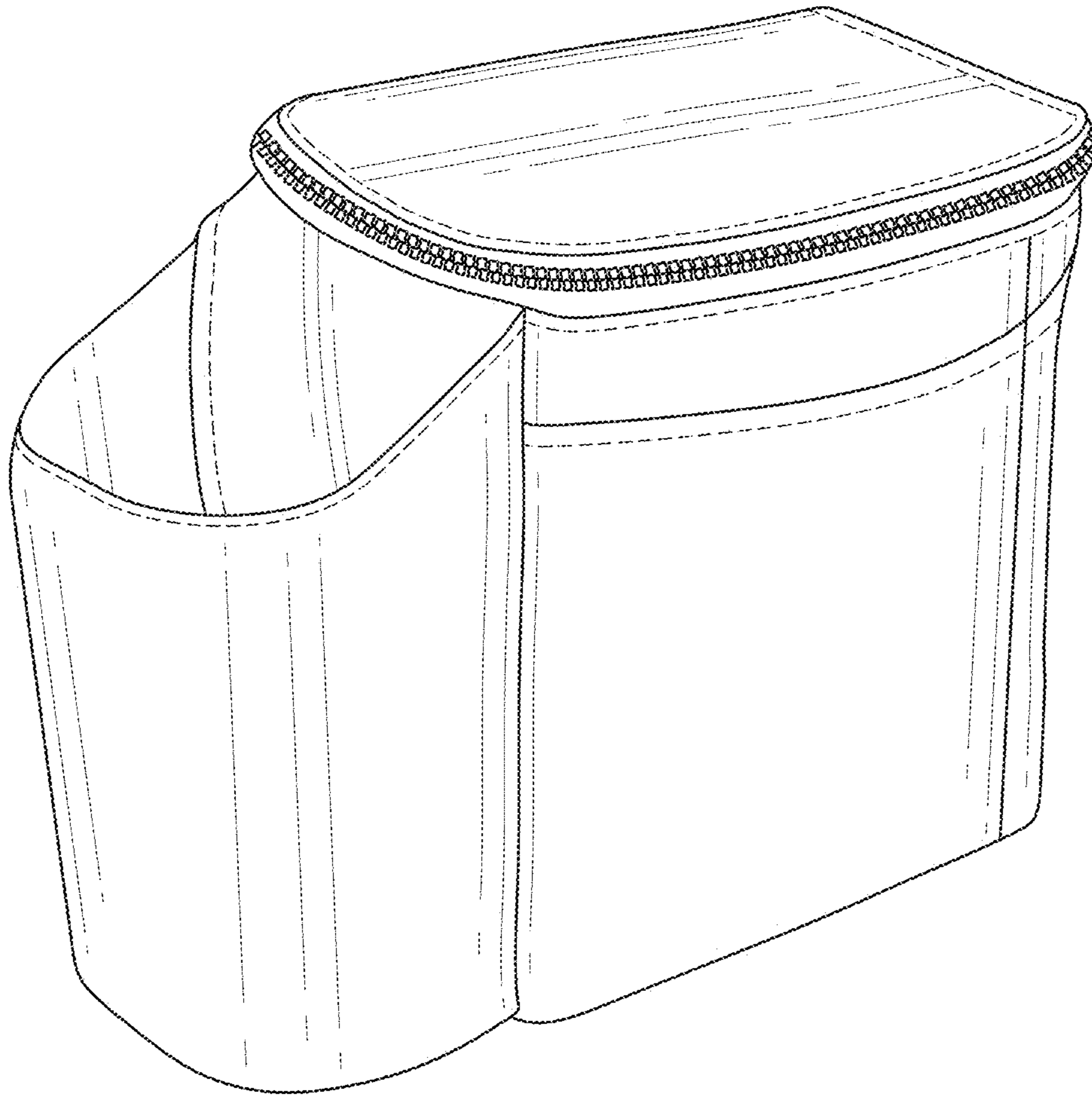


FIG. 1

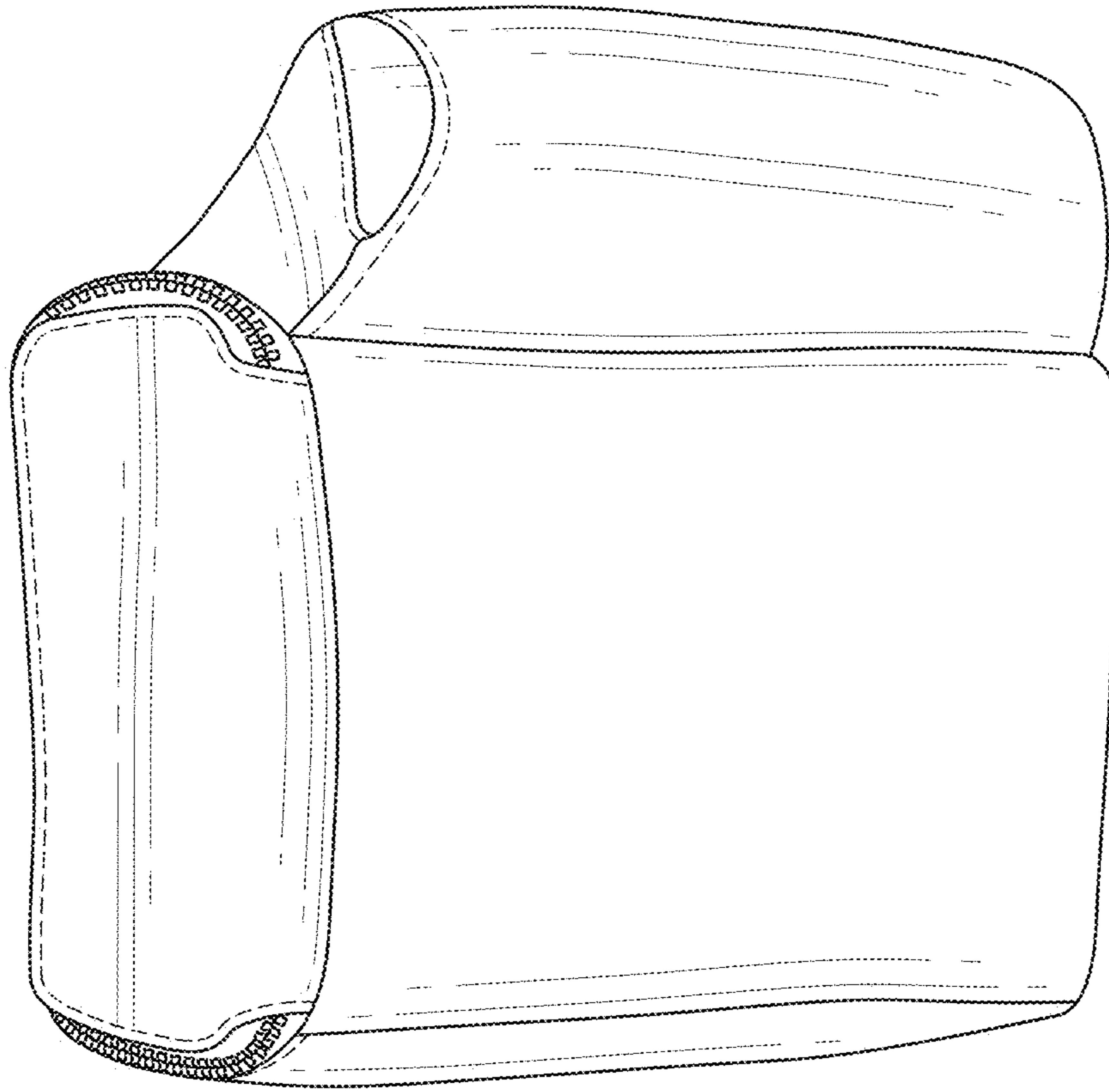


FIG. 2

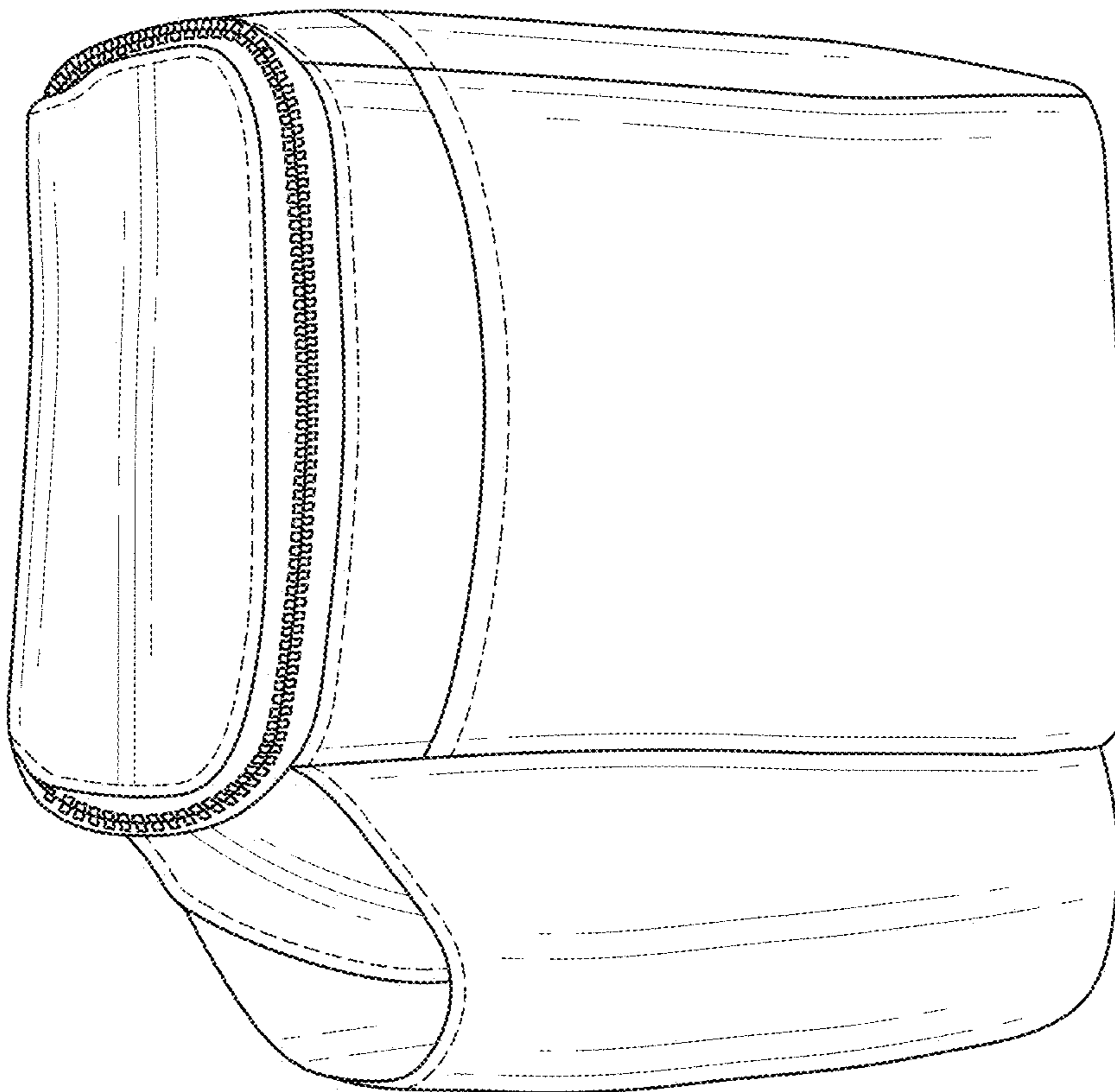


FIG. 3

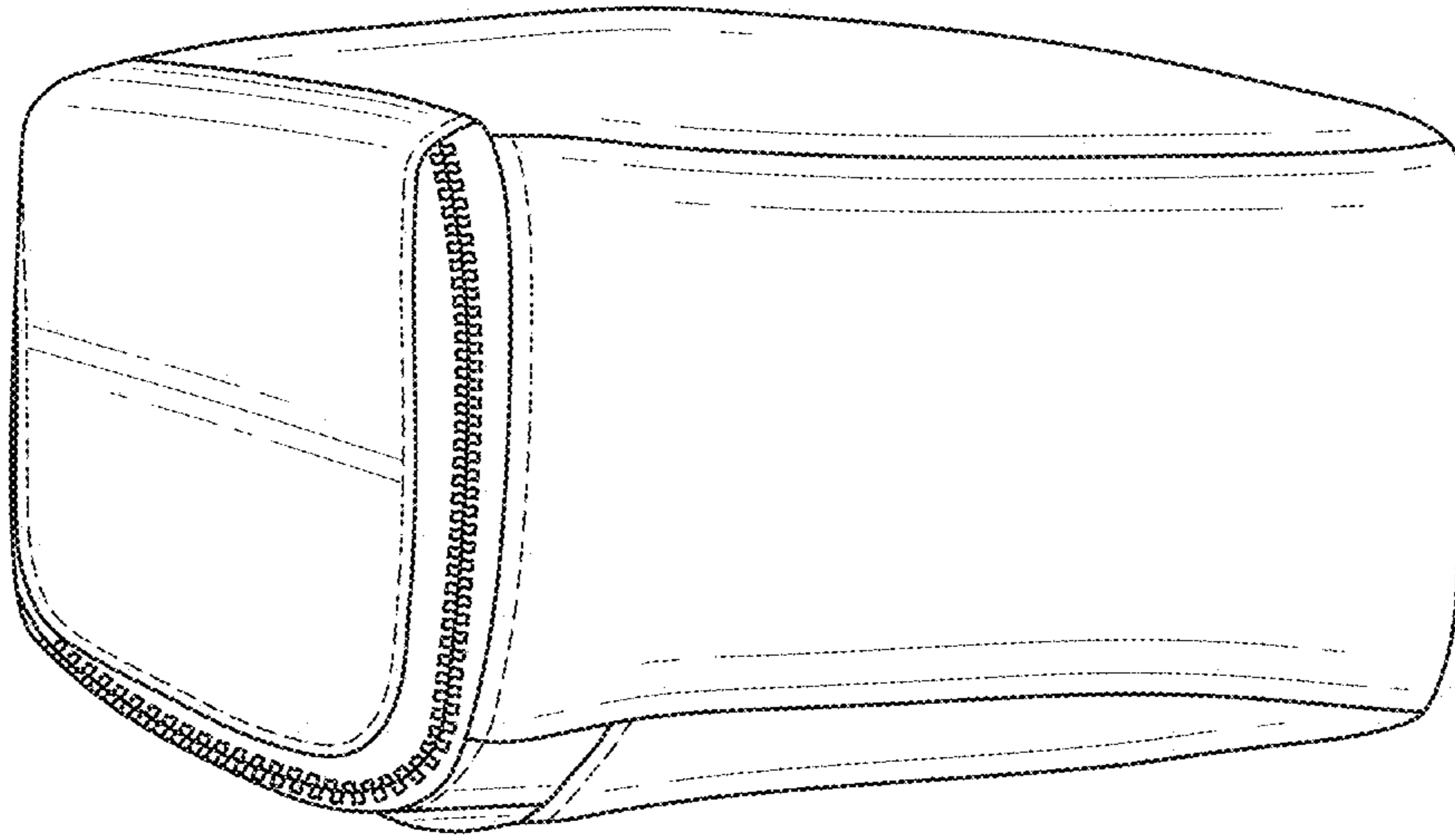


FIG. 5

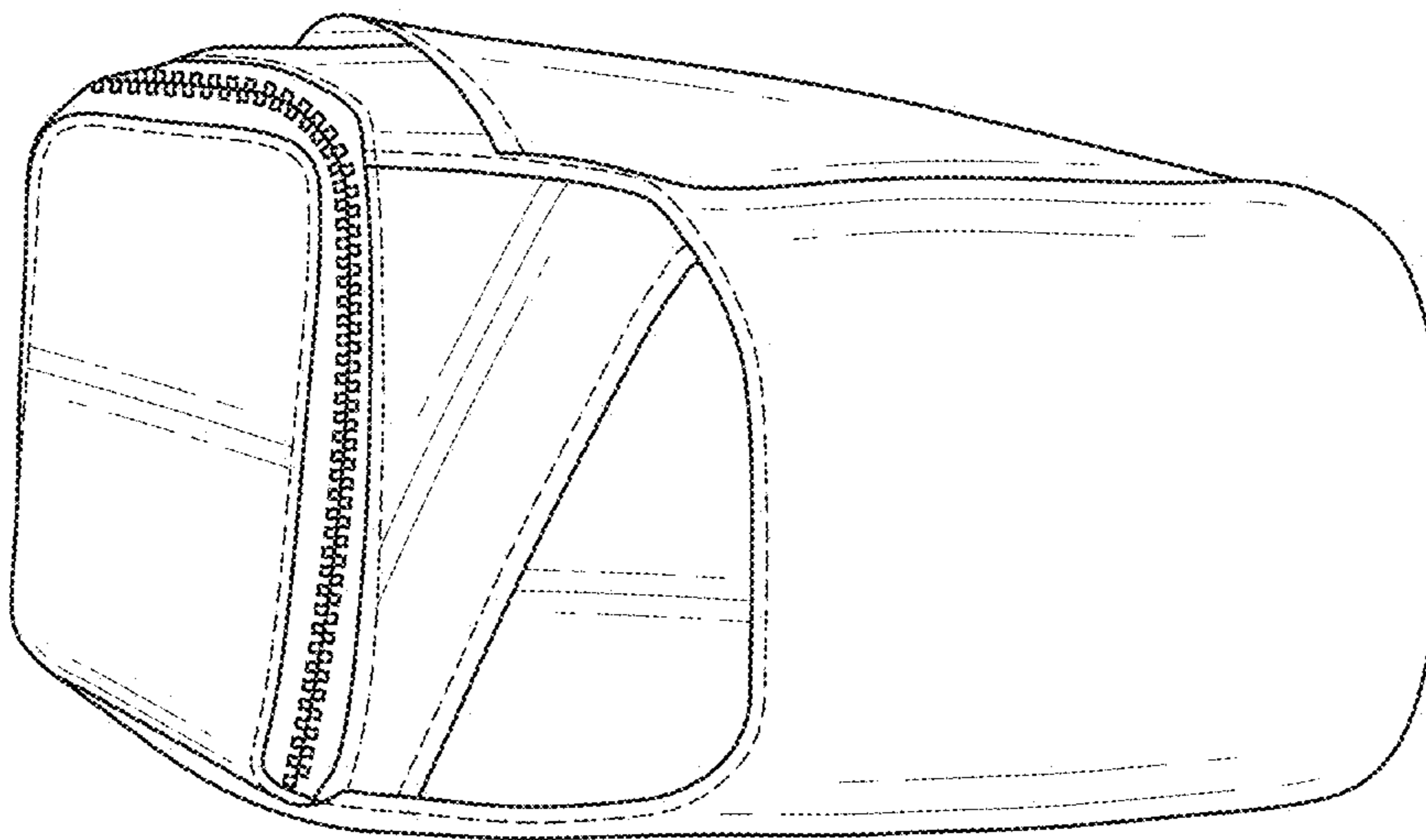


FIG. 4

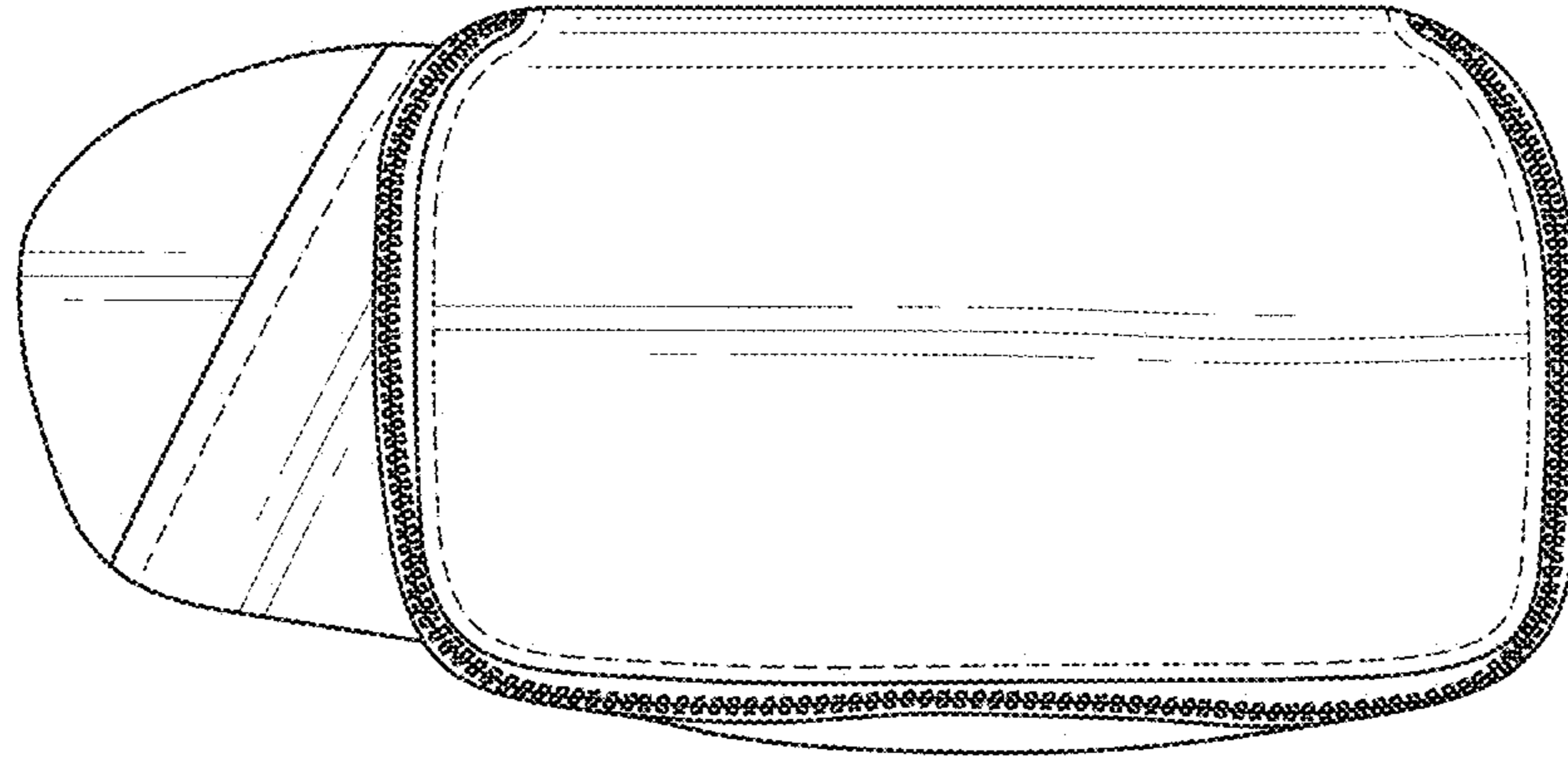


FIG. 6

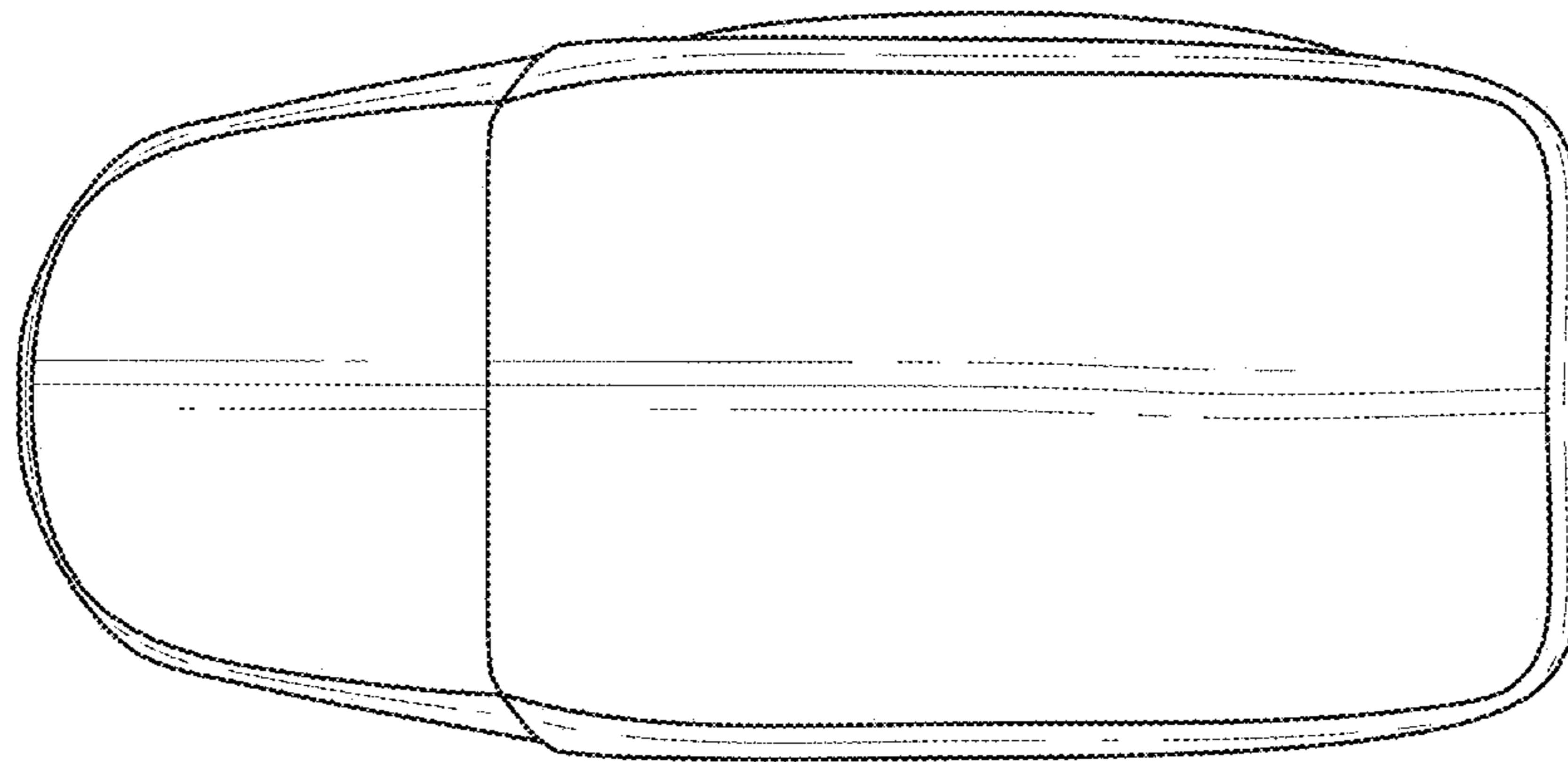


FIG. 7

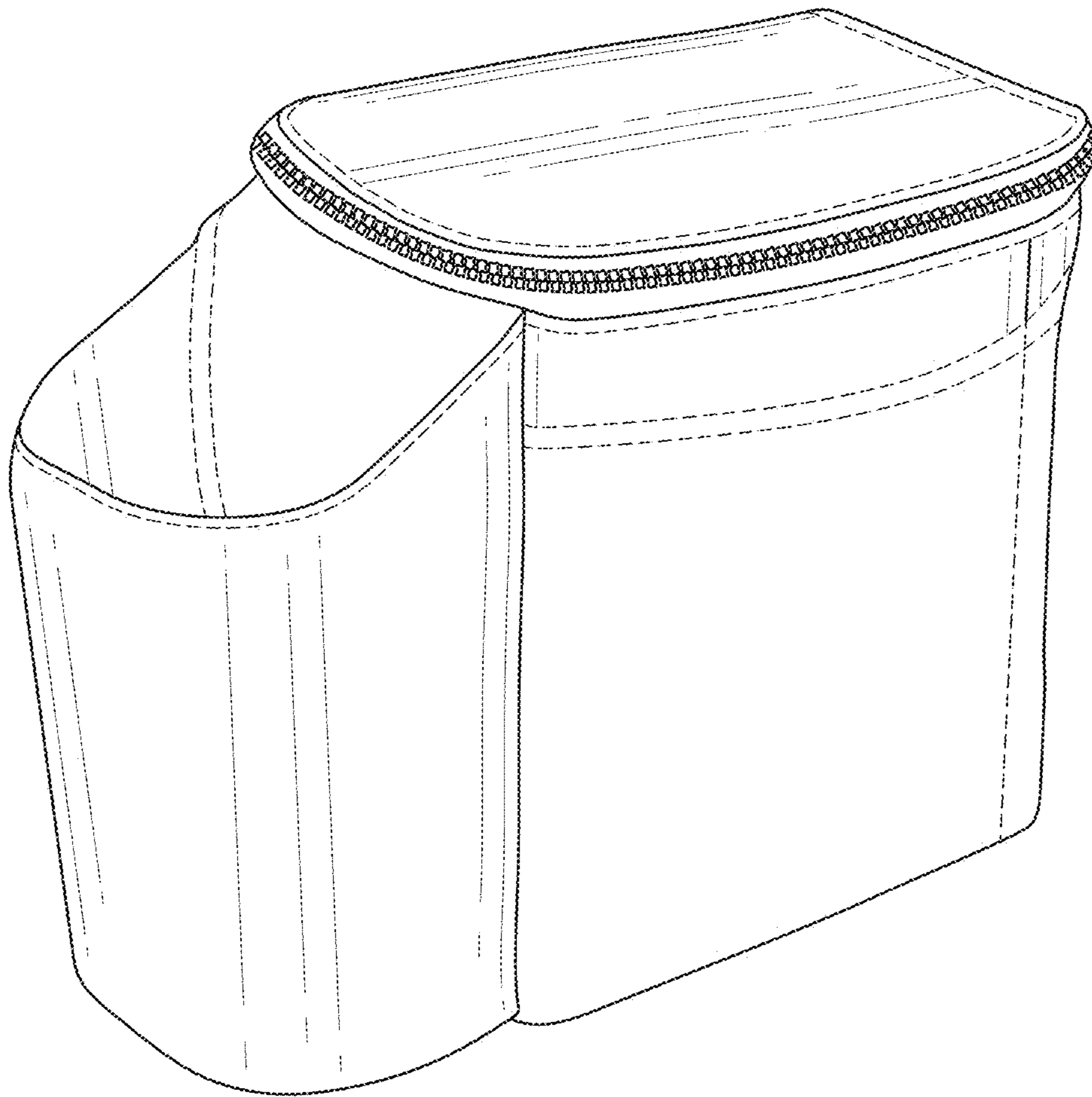


FIG. 8

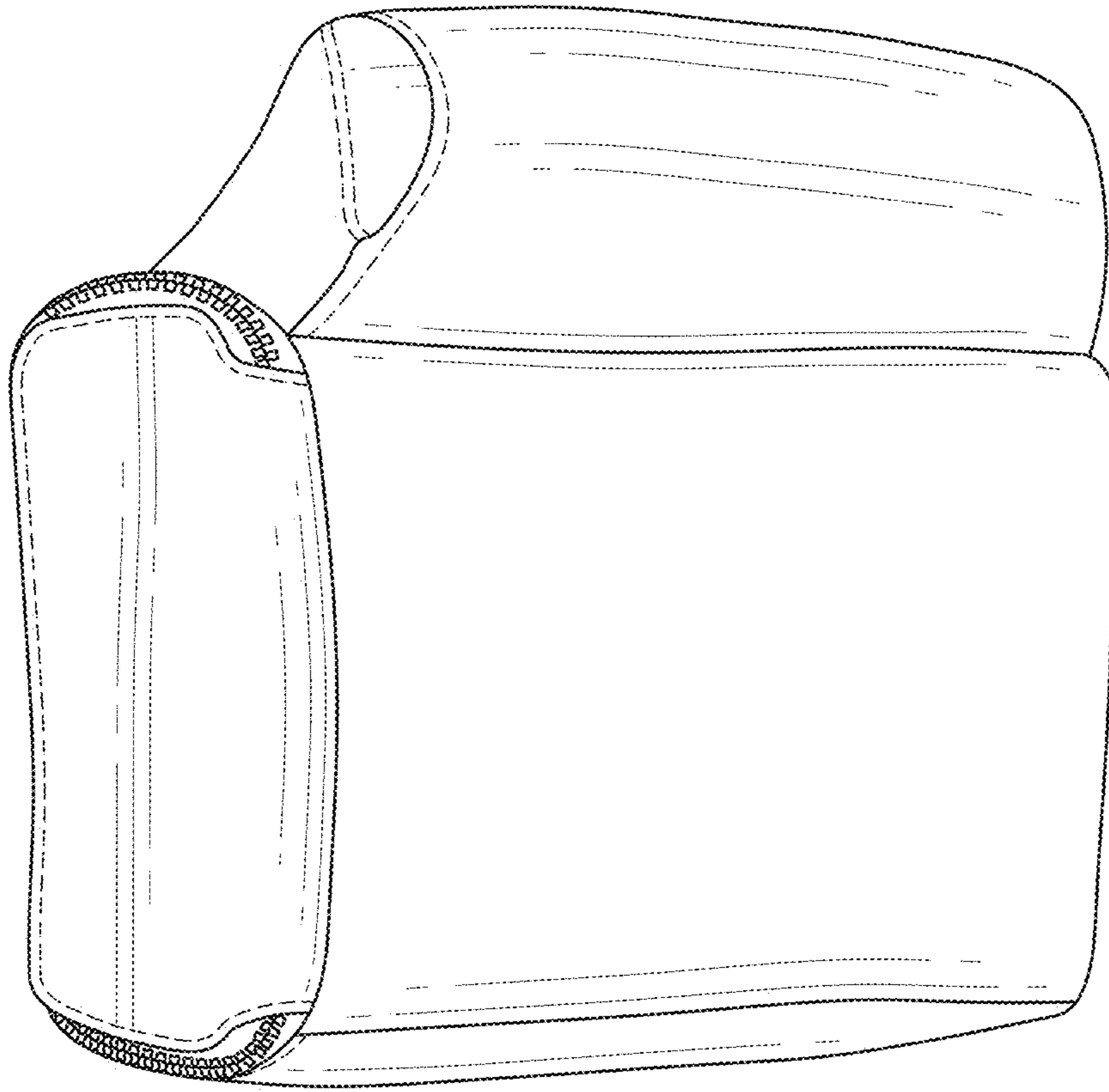


FIG. 9

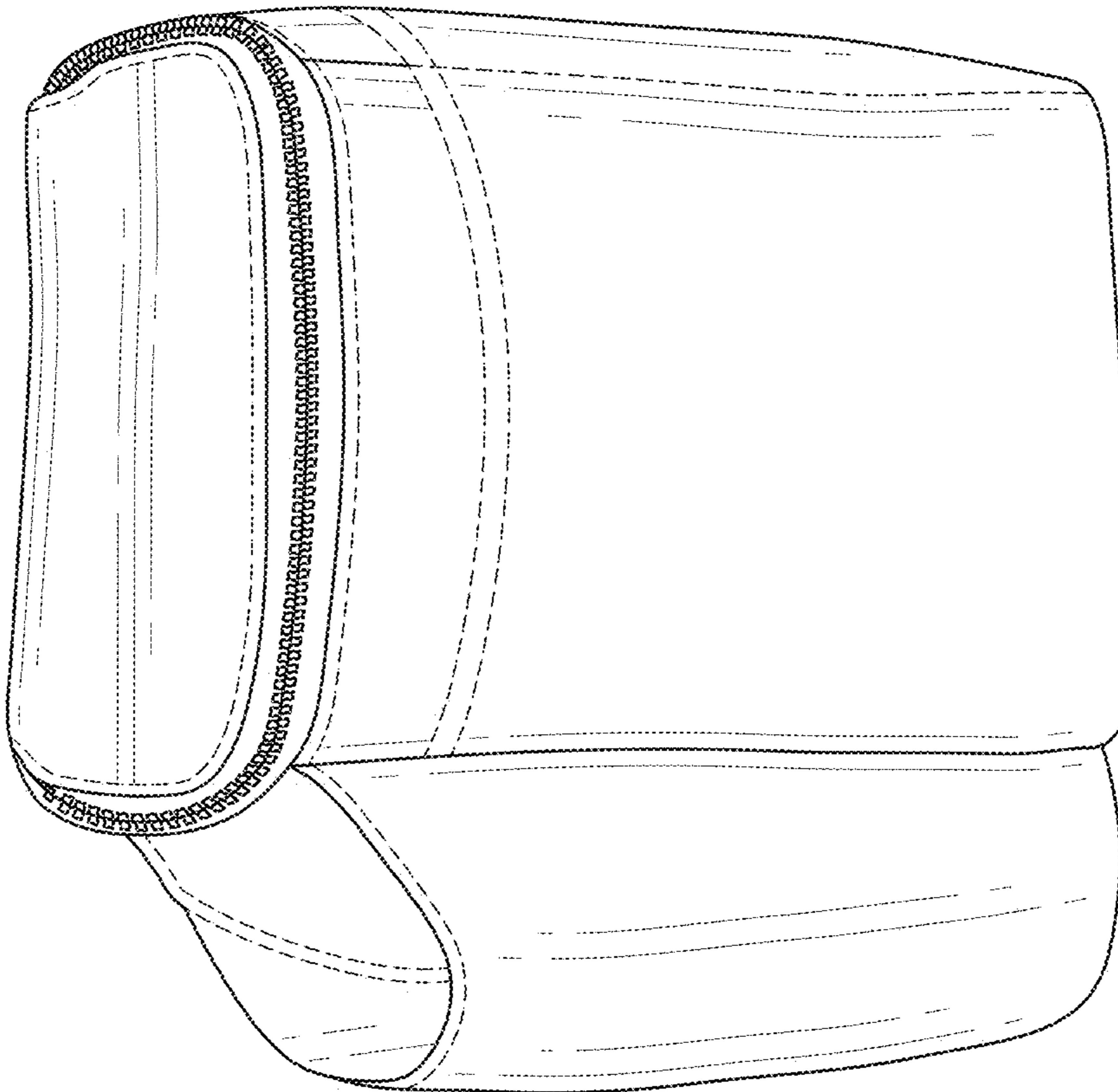


FIG. 10

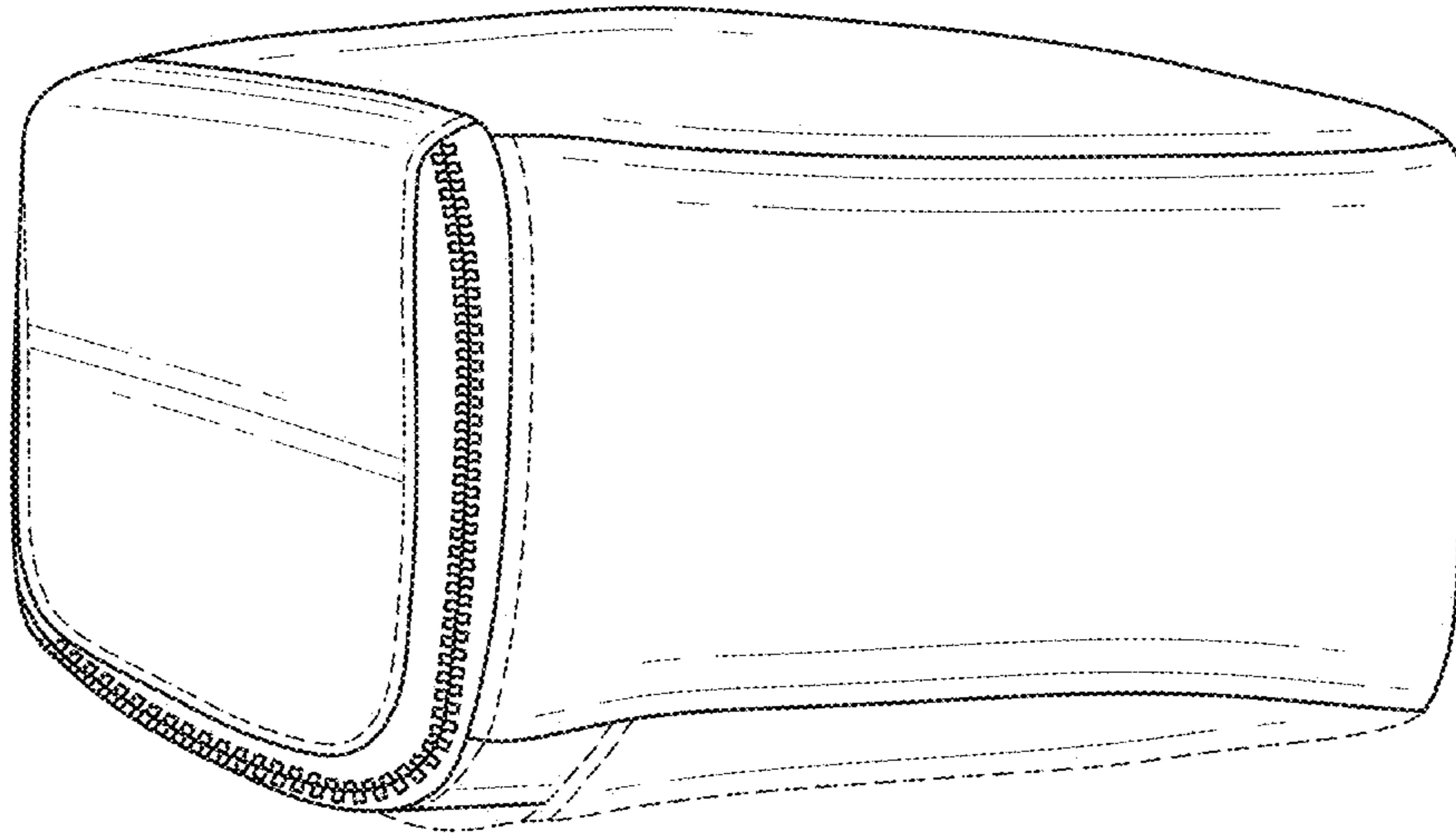


FIG. 12

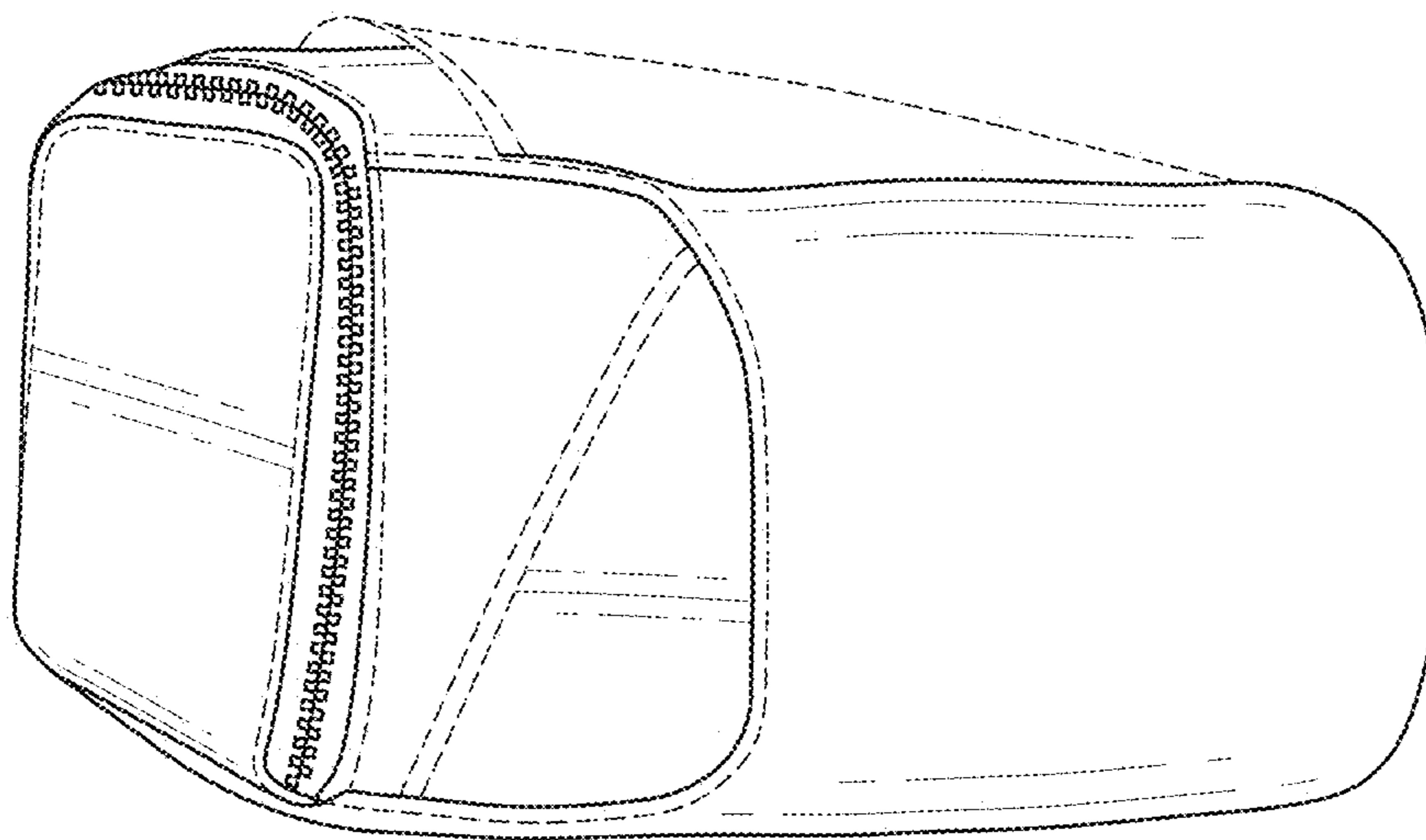


FIG. 11

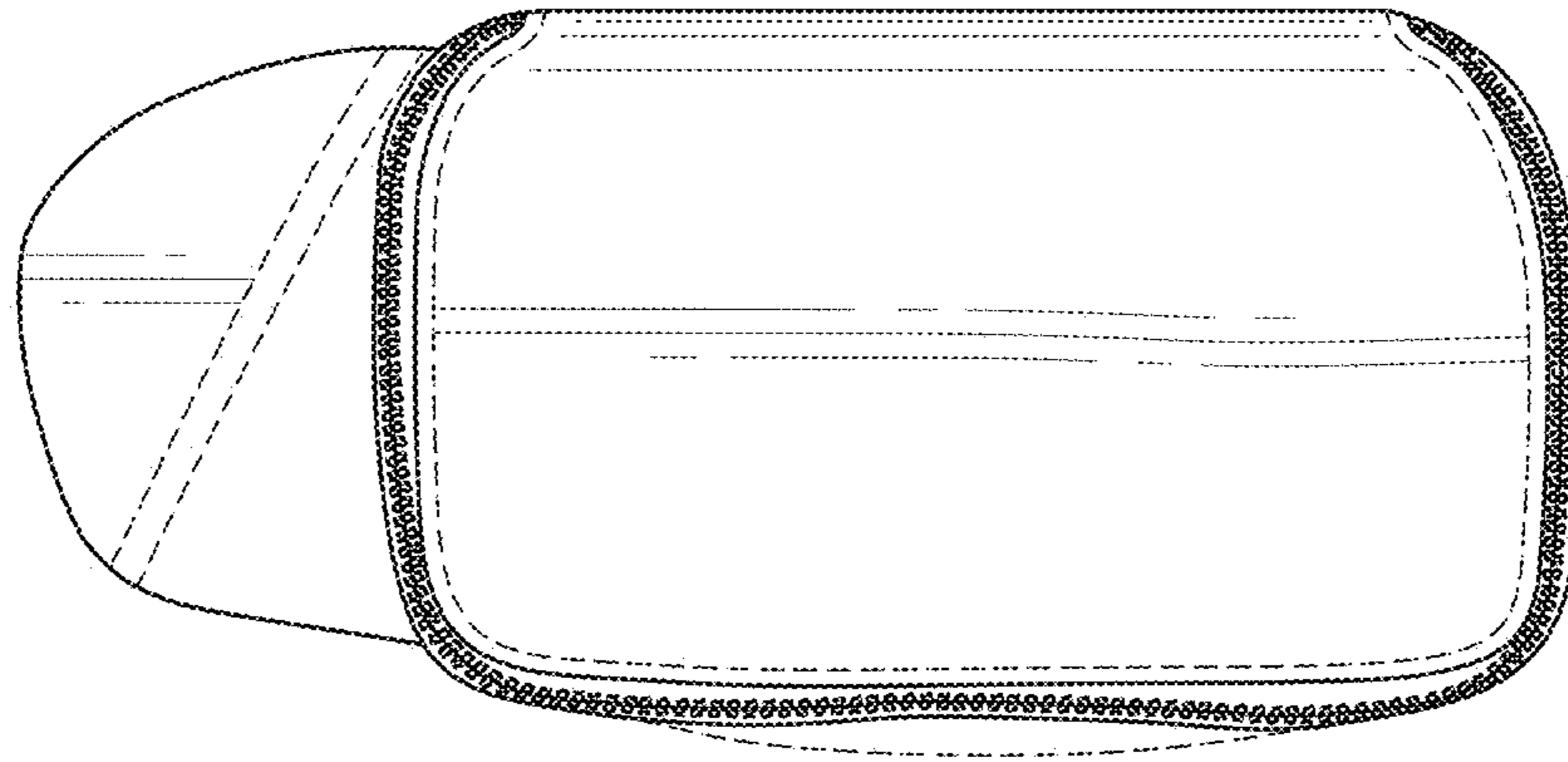


FIG. 13

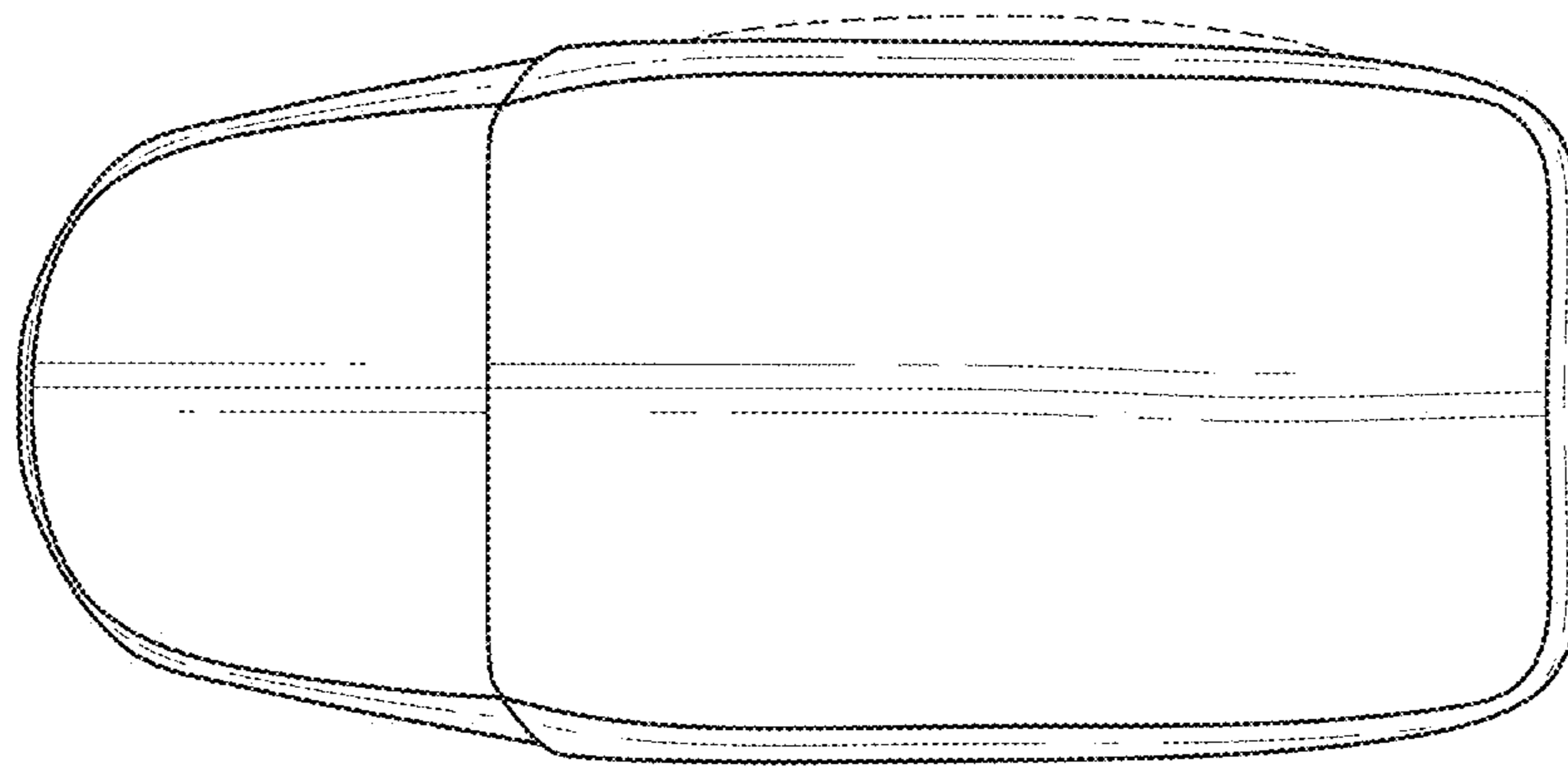


FIG. 14