



US00D927256S

(12) **United States Design Patent** (10) **Patent No.:** **US D927,256 S**
Bannister et al. (45) **Date of Patent:** **** Aug. 10, 2021**

(54) **BLENDER**

(71) Applicant: **SHARKNINJA OPERATING LLC**,
Needham, MA (US)

(72) Inventors: **Sam William Bannister**, Leybourne
(GB); **Michael Sloban, Jr.**, Cambridge,
MA (US)

(73) Assignee: **SHARKNINJA OPERATING LLC**,
Needham, MA (US)

(**) Term: **15 Years**

(21) Appl. No.: **29/694,049**

(22) Filed: **Jun. 6, 2019**

(51) **LOC (13) Cl.** **31-00**

(52) **U.S. Cl.**
USPC **D7/413; D7/376; D7/378; D7/386;**
D7/412

(58) **Field of Classification Search**

USPC D7/372, 376-386, 412-413, 602, 629,
D7/665-666, 669, 679, 693-694
CPC A21C 1/02; A21C 1/04; A23N 1/00; A23N
1/02; A47J 43/04; A47J 43/25; A47J
43/27; A47J 43/042; A47J 43/044; A47J
43/046; A47J 43/075; A47J 43/0722;
A47J 43/0727; A47J 43/0761; B01F 3/00;
B01F 3/0807; B01F 3/0853; B01F
13/0059; B01F 13/0064; B02C 1/08;
B02C 2/04; B02C 4/42; B02C 4/142;
B02C 4/143; B02C 4/423; B02C 13/1835;
B28C 5/10; B28C 5/12; B28C 5/14;
B28C 5/16

See application file for complete search history.

(56) **References Cited**

U.S. PATENT DOCUMENTS

293,190 A 2/1884 Moore
959,581 A 5/1910 Newton
1,997,914 A 4/1935 Pollard

2,121,621 A 6/1938 Adams
2,121,622 A 6/1938 Bean
2,209,559 A 7/1940 Brennan et al.
2,355,010 A 8/1944 Pera
2,616,593 A 11/1952 Leibenhaut
2,761,659 A 4/1956 Collura
2,885,134 A 5/1959 Cohen
2,992,118 A 7/1961 Daline
3,288,344 A 11/1966 Woollen et al.

(Continued)

FOREIGN PATENT DOCUMENTS

CN 1987102824 A 10/1987
CN 1073149 A 6/1993

(Continued)

OTHER PUBLICATIONS

US 6,592,248 B2, 07/2003, Kressin et al. (withdrawn)

(Continued)

Primary Examiner — Ricky Pham

(74) *Attorney, Agent, or Firm* — Burns & Levinson, LLP;
Joseph M. Maraia

(57) **CLAIM**

The ornamental design for a blender, as shown and described.

DESCRIPTION

FIG. 1 is a perspective view of a blender, showing our new design;

FIG. 2 is a front view thereof;

FIG. 3 is a rear view thereof;

FIG. 4 is a side view thereof;

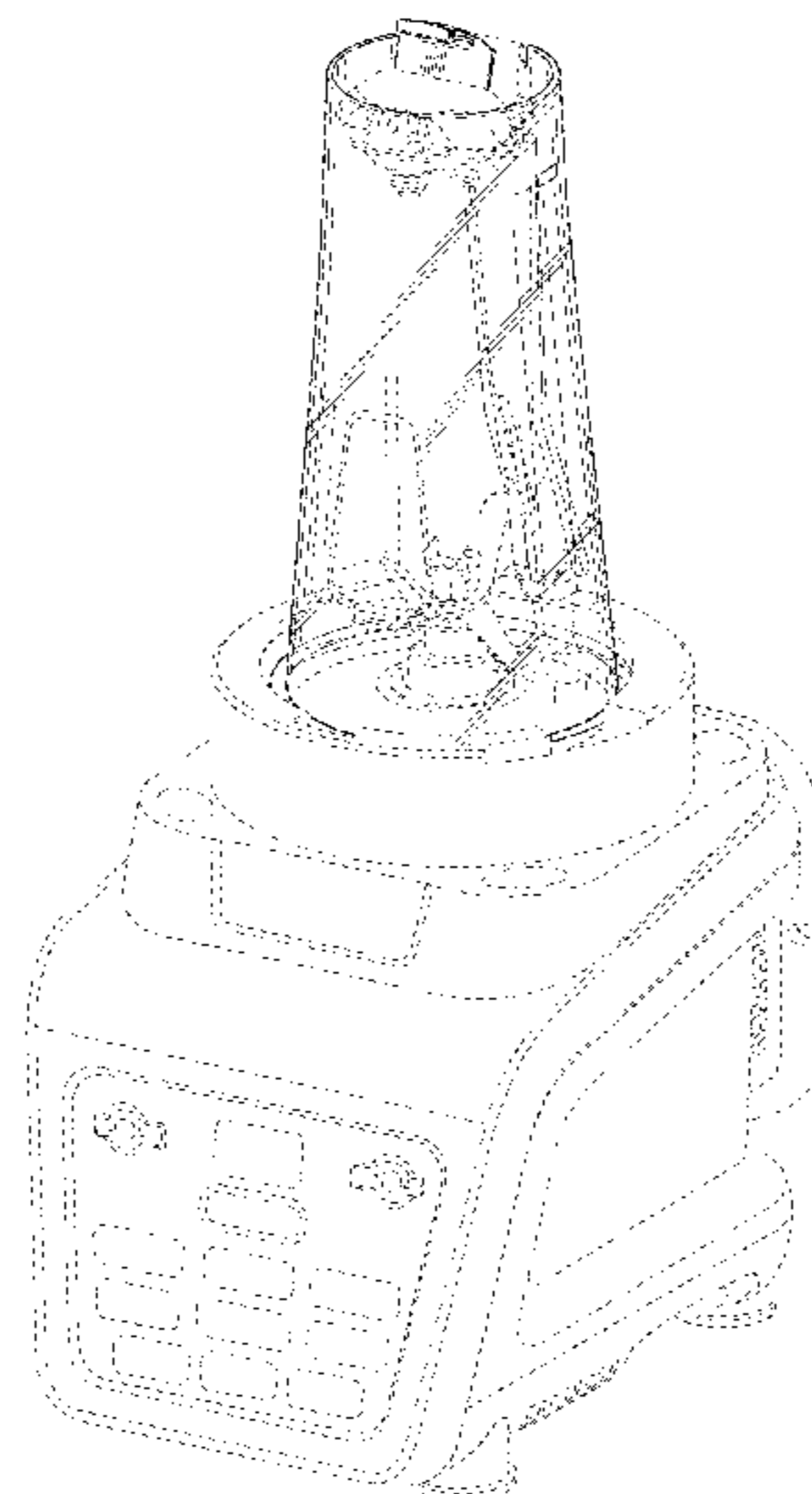
FIG. 5 is another side view thereof;

FIG. 6 is a top view thereof; and,

FIG. 7 is a bottom view thereof.

The broken lines in the figures are for environmental purposes only and form no part of the claimed design.

1 Claim, 7 Drawing Sheets



(56)

References Cited

U.S. PATENT DOCUMENTS

3,406,868	A	10/1968	Rogers	D647,357	S	*	10/2011	Audette	D7/386
3,521,863	A	7/1970	Graham	D647,367	S		10/2011	Audette et al.		
3,534,435	A	10/1970	John	8,047,124	B2		11/2011	Lin		
3,557,411	A	1/1971	Ravasi	8,047,702	B1		11/2011	Lopresti		
D242,208	S	* 11/1976	Madl	D654,316	S		2/2012	Audette		
4,016,998	A	4/1977	Finch	8,122,821	B2		2/2012	Sands		
4,185,072	A	1/1980	Puderbaugh et al.	D663,580	S		7/2012	Vagnby		
D255,313	S	6/1980	Elkerbout	D668,115	S		10/2012	Potter		
4,645,097	A	2/1987	Kaufman	D670,958	S		11/2012	Picozza et al.		
4,928,857	A	5/1990	Ecker	8,383,180	B2		2/2013	Vastardis		
4,955,724	A	9/1990	Otto	D677,976	S	*	3/2013	Palermo	D7/386
5,005,717	A	4/1991	Oilar	8,387,520	B2		3/2013	Backus		
5,168,797	A	12/1992	Wang	8,475,860	B2		7/2013	Colantonio et al.		
5,257,862	A	11/1993	Gardner	8,485,383	B2		7/2013	Taufer		
5,328,262	A	7/1994	Lidgren et al.	8,561,314	B2		10/2013	Kruger		
D349,455	S	8/1994	Kostanecki et al.	8,568,811	B2		10/2013	Sasame et al.		
5,348,391	A	9/1994	Murray	8,586,117	B2		11/2013	Vastardis et al.		
D351,993	S	11/1994	Kaufman et al.	8,672,533	B2		3/2014	Reyes et al.		
5,368,386	A	11/1994	Murray	D704,502	S		5/2014	Coakley et al.		
5,423,476	A	6/1995	Ferrer	D705,606	S		5/2014	Coakley et al.		
5,460,264	A	10/1995	Rupert	8,770,099	B2		7/2014	Reyhanloo		
5,501,520	A	3/1996	Lidgren et al.	D711,688	S		8/2014	Prats		
5,558,257	A	9/1996	Braun	8,807,022	B2		8/2014	Backus		
5,597,089	A	1/1997	Smith	D712,188	S		9/2014	Averty		
5,603,567	A	2/1997	Peacock	8,869,686	B2		10/2014	Backus		
D378,493	S	3/1997	Subbaraman et al.	D721,536	S		1/2015	Advani		
D380,674	S	7/1997	Smith	8,960,084	B2		2/2015	Lee		
5,662,032	A	9/1997	Baratta	8,960,578	B2		2/2015	Byrne		
5,667,101	A	9/1997	Barrash et al.	8,960,993	B2		2/2015	Cheio De Oliveira et al.		
5,690,021	A	11/1997	Grey	D727,173	S		4/2015	De Jong		
5,797,680	A	8/1998	Murray	8,997,633	B2		4/2015	Bishop et al.		
5,857,771	A	1/1999	Draenert	8,998,176	B2		4/2015	Bishop et al.		
D413,798	S	9/1999	LaMarra	D728,381	S		5/2015	Ferraro		
5,957,340	A	9/1999	Sawicki	D730,682	S		6/2015	Tu		
6,065,861	A	5/2000	Chen	D730,683	S		6/2015	Tu		
6,092,905	A	7/2000	Koehn	D731,242	S		6/2015	Machovina et al.		
6,135,019	A	10/2000	Chou	D731,243	S		6/2015	Machovina et al.		
6,213,358	B1	4/2001	Libit et al.	9,051,073	B2		6/2015	Jennings et al.		
6,223,652	B1	5/2001	Calia et al.	D733,488	S		7/2015	Tu		
6,321,977	B1	11/2001	Lee	D734,637	S		7/2015	Benoit et al.		
6,491,961	B1	12/2002	Balentine et al.	9,113,750	B2		8/2015	Clark et al.		
6,499,873	B1	12/2002	Chen	D739,678	S		9/2015	Benoit et al.		
6,712,496	B2	3/2004	Kressin et al.	D740,063	S		10/2015	Katz		
D490,468	S	5/2004	Akers	9,149,065	B2		10/2015	Hoare et al.		
6,780,454	B2	8/2004	Balentine et al.	D742,691	S		11/2015	Zhang		
D498,642	S	11/2004	Huang	D743,204	S		11/2015	Zhang		
D498,643	S	11/2004	Pryor, Jr. et al.	9,199,779	B2		12/2015	Zoss et al.		
6,817,280	B2	11/2004	Hall et al.	D747,135	S		1/2016	Ha		
6,817,750	B1	11/2004	Sands	9,295,358	B2		3/2016	Vastardis et al.		
6,860,313	B2	3/2005	Greissing et al.	D755,003	S	*	5/2016	Palermo	D7/386
D518,332	S	4/2006	Feil	9,345,795	B2		5/2016	Saura Lopez et al.		
7,044,051	B2	5/2006	Le Rouzic	9,402,405	B2		8/2016	Vastardis et al.		
7,066,640	B2	6/2006	Sands	9,402,410	B2		8/2016	So		
7,100,851	B2	9/2006	Hiraki et al.	9,414,711	B2		8/2016	Tonelli et al.		
7,104,185	B2	9/2006	Leung et al.	D765,465	S		9/2016	Du		
D530,568	S	10/2006	Wingenter	D767,334	S		9/2016	Pan		
D537,303	S	2/2007	Stuckey	D768,437	S		10/2016	Lane		
D538,595	S	3/2007	White et al.	D769,061	S		10/2016	Diderotto		
D559,037	S	1/2008	Johansson	9,474,403	B2		10/2016	Chen		
D560,512	S	1/2008	Safar	D771,434	S		11/2016	Burrows		
7,314,136	B2	1/2008	Stefandl	D771,999	S	*	11/2016	Kettavong	D7/386
D564,832	S	3/2008	Bodum	9,486,107	B2		11/2016	Kobylarz		
7,422,362	B2	9/2008	Sands	D776,978	S		1/2017	Machovina et al.		
D578,340	S	10/2008	Picozza et al.	9,555,384	B2		1/2017	Haney et al.		
7,430,957	B2	10/2008	Sands	D778,665	S	*	2/2017	Barquin	D7/386
7,441,944	B2	10/2008	Sands	D779,265	S		2/2017	Barquin et al.		
7,490,743	B2	2/2009	Herzog	9,565,872	B2		2/2017	Corkin et al.		
7,543,925	B2	6/2009	Ishizawa et al.	D780,507	S		3/2017	Barquin et al.		
D605,462	S	* 12/2009	Picozza	D783,340	S		4/2017	Palermo et al.		
7,858,135	B2	12/2010	Radosav	D783,355	S		4/2017	Tu		
7,958,819	B2	6/2011	Sands	D784,761	S		4/2017	Tu		
D642,858	S	8/2011	Lazzer	9,624,024	B2		4/2017	Vilinsky		
D644,072	S	8/2011	McDonald et al.	9,630,828	B1		4/2017	Gardner		
D644,875	S	9/2011	Audette	D789,735	S	*	6/2017	Palermo	D7/386
8,021,699	B2	9/2011	Yoshikawa et al.	D789,736	S		6/2017	Palermo et al.		
				9,675,212	B2		6/2017	Hewitt et al.		
				9,687,111	B1		6/2017	Trojan		
				D793,153	S		8/2017	Tu		
				D794,384	S		8/2017	Lee		

(56)

References Cited

U.S. PATENT DOCUMENTS

D797,496 S 9/2017 Gee, II et al.
 D798,101 S 9/2017 Rose et al.
 9,763,461 B2 9/2017 Vastardis et al.
 D804,248 S 12/2017 Tu
 D807,700 S 1/2018 Tu
 D808,718 S 1/2018 Coakley
 D808,719 S 1/2018 Coakley
 9,855,535 B2 1/2018 Arnett et al.
 D809,333 S * 2/2018 Lee D7/386
 9,888,807 B2 2/2018 Starr et al.
 D811,806 S 3/2018 Bock
 D813,603 S 3/2018 Tu
 D813,604 S 3/2018 Tu
 9,907,430 B2 3/2018 Vastardis et al.
 9,924,824 B2 3/2018 Backus
 9,924,837 B1 3/2018 Trojan
 9,924,838 B2 3/2018 Potter et al.
 9,930,986 B2 4/2018 Arai et al.
 D816,383 S 5/2018 Liang
 9,962,030 B2 5/2018 Avins et al.
 9,993,105 B2 6/2018 Bishop et al.
 9,999,319 B2 6/2018 Kim
 D821,806 S * 7/2018 Coakley D7/386
 10,055,347 B1 8/2018 Trojan
 D832,029 S 10/2018 Gee, II et al.
 10,105,003 B2 10/2018 Tsutsumi et al.
 10,117,444 B2 11/2018 Vastardis et al.
 10,123,650 B2 11/2018 McLaughlin et al.
 D834,878 S 12/2018 Moon et al.
 D835,463 S 12/2018 Coakley
 10,143,323 B2 12/2018 Backus
 10,182,680 B2 1/2019 Koetz
 10,196,595 B2 2/2019 Butte
 10,213,047 B2 2/2019 Boggavarapu
 D842,643 S 3/2019 Mullen et al.
 D842,644 S 3/2019 Kettavong et al.
 10,226,147 B2 3/2019 Harper
 D846,337 S 4/2019 Duan et al.
 D846,338 S * 4/2019 Smith D7/378
 D846,339 S 4/2019 Smith
 10,299,629 B2 5/2019 Bascom et al.
 D851,982 S 6/2019 Deleo et al.
 D852,566 S 7/2019 Chen
 D860,724 S 9/2019 Kassin et al.
 D865,438 S 11/2019 Coakley et al.
 D867,804 S 11/2019 Gronkowski
 10,617,260 B2 4/2020 Sapire
 10,736,465 B2 8/2020 Dickson, Jr. et al.
 10,799,071 B2 10/2020 Pamplin
 2001/0000570 A1 5/2001 Aarts
 2002/0009401 A1 1/2002 Osborn
 2003/0227818 A1 12/2003 Villwock et al.
 2004/0025703 A1 2/2004 Ming
 2004/0065668 A1 4/2004 Lee
 2004/0155063 A1 8/2004 Hofeldt
 2004/0159243 A1 8/2004 Theodos
 2004/0173105 A1 9/2004 Kim et al.
 2004/0195120 A1 10/2004 Anderson
 2004/0208079 A1 10/2004 Hein
 2005/0229795 A1 10/2005 Stuckey
 2005/0269336 A1 12/2005 Rockhill et al.
 2006/0000369 A1 1/2006 Hsu
 2006/0120215 A1 6/2006 Sands
 2006/0124536 A1 6/2006 Guerrero
 2007/0183256 A1 8/2007 Sands
 2008/0037360 A1 2/2008 McGill
 2008/0067195 A1 3/2008 Jennings et al.
 2009/0084275 A1 4/2009 Liang
 2009/0165655 A1 7/2009 Aonuma
 2009/0229478 A1 9/2009 Wu
 2009/0266787 A1 10/2009 Son
 2009/0297671 A1 12/2009 Basker et al.
 2010/0003379 A1 1/2010 Zoss et al.
 2010/0203209 A1 8/2010 Fishbein et al.
 2011/0127297 A1 6/2011 Jennings et al.

2012/0152131 A1 6/2012 Sands
 2012/0196014 A1 8/2012 Yao
 2013/0133521 A1 5/2013 Vastardis
 2014/0247686 A1* 9/2014 Arnett A47J 43/0761
 366/205
 2014/0286123 A1 9/2014 Arnett et al.
 2014/0290503 A1 10/2014 Bae
 2015/0059597 A1 3/2015 Lee
 2015/0098299 A1 4/2015 Sapire
 2015/0138910 A1 5/2015 Cha et al.
 2015/0146496 A1 5/2015 Lucon et al.
 2015/0201808 A1 7/2015 Katsuki et al.
 2015/0208844 A1 7/2015 Liang
 2015/0351567 A1 12/2015 Tristram
 2016/0183582 A1 6/2016 Bauer
 2016/0220071 A1 8/2016 Hewitt et al.
 2016/0255983 A1 9/2016 Barquin et al.
 2016/0324358 A1 11/2016 Backus
 2016/0324369 A1 11/2016 Lee
 2016/0331182 A1* 11/2016 Golino A47J 43/046
 2016/0345773 A1 12/2016 Tonelli et al.
 2016/0348962 A1 12/2016 Roekens et al.
 2016/0367063 A1 12/2016 Vastardis et al.
 2017/0007067 A1 1/2017 Shima et al.
 2017/0049260 A1 2/2017 Beber et al.
 2017/0086622 A1 3/2017 Chung
 2017/0095122 A1 4/2017 Hoare et al.
 2017/0143155 A1 5/2017 Lin
 2017/0150744 A1 6/2017 Wangler
 2017/0164776 A1 6/2017 Floessholzer et al.
 2017/0224166 A1 8/2017 Sedlacek et al.
 2017/0231431 A1 8/2017 Maeng
 2017/0245668 A1 8/2017 Upston et al.
 2017/0295982 A1 10/2017 Holzbauer et al.
 2017/0295992 A1 10/2017 Mangold et al.
 2017/0303571 A1 10/2017 Alden
 2017/0341253 A1 11/2017 Arriens et al.
 2018/0014695 A1 1/2018 Gross et al.
 2018/0043321 A1 2/2018 Mochizuki
 2018/0079584 A1 3/2018 Jung
 2018/0098666 A1 4/2018 Le
 2018/0192814 A1 7/2018 Gormley et al.
 2018/0192815 A1 7/2018 Vastardis et al.
 2018/0199762 A1 7/2018 Kim
 2018/0220829 A1 8/2018 Zhang et al.
 2018/0222679 A1 8/2018 Iwasaka et al.
 2018/0296022 A1 10/2018 Avins et al.
 2018/0310769 A1 11/2018 Kim
 2018/0326378 A1 11/2018 Moon
 2018/0360256 A1 12/2018 Ford et al.
 2018/0360271 A1 12/2018 Katsuki et al.
 2019/0000272 A1 1/2019 Katsuki et al.
 2019/0009233 A1 1/2019 Furman et al.
 2019/0059409 A1 2/2019 Vastardis et al.
 2020/0281408 A1 9/2020 Bannister et al.
 2020/0281409 A1 9/2020 Bannister et al.
 2020/0281410 A1 9/2020 Bannister et al.

FOREIGN PATENT DOCUMENTS

CN 1255841 A 6/2000
 CN 2390533 Y 8/2000
 CN 1432518 A 7/2003
 CN 1162115 C 8/2004
 CN 1525830 A 9/2004
 CN 1586378 A 3/2005
 CN 1213686 C 8/2005
 CN 1655707 A 8/2005
 CN 2730269 Y 10/2005
 CN 1792306 A 6/2006
 CN 1268263 C 8/2006
 CN 2808015 Y 8/2006
 CN 1282438 C 11/2006
 CN 100337572 C 9/2007
 CN 201001611 Y 1/2008
 CN 201067329 Y 6/2008
 CN 100418461 C 9/2008
 CN 100522753 C 8/2009
 CN 100581426 C 1/2010

(56)

References Cited

FOREIGN PATENT DOCUMENTS

CN	101663142	A	3/2010	CN	107088005	A	8/2017
CN	101238036	B	5/2010	CN	107095598	A	8/2017
CN	101291609	B	6/2010	CN	107148234	A	9/2017
CN	201505039	U	6/2010	CN	107157356	A	9/2017
CN	101779928	A	7/2010	CN	107212772	A	9/2017
CN	101181127	B	2/2011	CN	206453647	U	9/2017
CN	102058327	A	5/2011	CN	107224225	A	10/2017
CN	102083345	A	6/2011	CN	107280517	A	10/2017
CN	102123600	A	7/2011	CN	107303150	A	10/2017
CN	201899357	U	7/2011	CN	107319965	A	11/2017
CN	201977619	U	9/2011	CN	107373278	A	11/2017
CN	102245068	A	11/2011	CN	105682517	B	12/2017
CN	101854839	B	5/2012	CN	107411477	A	12/2017
CN	102429590	A	5/2012	CN	107411589	A	12/2017
CN	101637242	B	6/2012	CN	206688628	U	12/2017
CN	102670096	A	9/2012	CN	107595164	A	1/2018
CN	101522039	B	10/2012	CN	206867155	U	1/2018
CN	202681713	U	1/2013	CN	107713697	A	2/2018
CN	202698925	U	1/2013	CN	107713825	A	2/2018
CN	207613666	U	1/2013	CN	105902133	B	3/2018
CN	102984951	B	3/2013	CN	107788844	A	3/2018
CN	202875005	U	4/2013	CN	107822529	A	3/2018
CN	203074329	U	7/2013	CN	107874651	A	4/2018
CN	203447138	U	2/2014	CN	107912982	A	4/2018
CN	103857317	A	6/2014	CN	207168385	U	4/2018
CN	203647102	U	6/2014	CN	107997525	A	5/2018
CN	102355839	B	8/2014	CN	108013791	A	5/2018
CN	103960992	A	8/2014	CN	108065810	A	5/2018
CN	104305872	A	1/2015	CN	108078438	A	5/2018
CN	102292011	B	4/2015	CN	207341667	U	5/2018
CN	102631153	B	4/2015	CN	108143312	A	6/2018
CN	204274217	A	4/2015	CN	207506464	U	6/2018
CN	204600200	U	9/2015	CN	108272359	A	7/2018
CN	204698308	A	10/2015	CN	108283441	A	7/2018
CN	103813741	B	12/2015	CN	207640256	U	7/2018
CN	103354793	B	2/2016	CN	108378725	A	8/2018
CN	105455688	A	4/2016	CN	108415344	A	8/2018
CN	105520659	A	4/2016	CN	108451395	A	8/2018
CN	105686701	A	6/2016	CN	108471901	A	8/2018
CN	105919396	A	9/2016	CN	106580132	B	9/2018
CN	105996826	A	10/2016	CN	108478009	A	9/2018
CN	205658804	U	10/2016	CN	108577547	A	9/2018
CN	106073538	A	11/2016	CN	108577597	A	9/2018
CN	106108596	A	11/2016	CN	108601485	A	9/2018
CN	106108599	A	11/2016	CN	108606663	A	10/2018
CN	106108709	A	11/2016	CN	108652478	A	10/2018
CN	106136903	A	11/2016	CN	108670063	A	10/2018
CN	106136961	A	11/2016	CN	207940815	U	10/2018
CN	106136962	A	11/2016	CN	108720603	A	11/2018
CN	103126552	B	12/2016	CN	108742189	A	11/2018
CN	106231966	A	12/2016	CN	108903698	A	11/2018
CN	106235907	A	12/2016	CN	208030887	U	11/2018
CN	106264202	A	1/2017	CN	109044075	A	12/2018
CN	106333616	A	1/2017	CN	109091035	A	12/2018
CN	106361183	A	2/2017	CN	109124296	A	1/2019
CN	106377152	A	2/2017	EP	0676161		7/1998
CN	106377181	A	2/2017	EP	3424380	A1	1/2019
CN	106419642	A	2/2017	GB	2556646	A	6/2018
CN	104720553	B	3/2017	JP	1523840		4/2015
CN	103720339	B	4/2017	JP	1528172	S	7/2015
CN	104853657	B	4/2017	JP	1559194		8/2016
CN	106580133	A	4/2017	JP	1618973		11/2018
CN	206062911	U	4/2017	JP	1618976		11/2018
CN	106659310	A	5/2017	JP	1659173		4/2020
CN	106724559	A	5/2017	KR	101821786		1/2018
CN	106724947	A	5/2017	WO	2008034020	A1	3/2008
CN	106742714	A	5/2017	WO	2008095309	A1	8/2008
CN	106798496	A	6/2017	WO	2009001244	A2	12/2008
CN	206227556	U	6/2017	WO	2015097606	A3	7/2015
CN	106974565	A	7/2017	WO	2016165454	A1	10/2016
CN	206295245	U	7/2017	WO	2017100326	A1	6/2017
CN	206324658	U	7/2017	WO	2017147059	A1	8/2017
CN	107019425	A	8/2017	WO	2017153341	A1	9/2017
CN	107019441	A	8/2017	WO	2017165422	A1	9/2017
CN	107049072	A	8/2017	WO	2017211987	A1	12/2017
				WO	2018006776	A1	1/2018
				WO	2018007831	A1	1/2018
				WO	2018014226	A1	1/2018
				WO	2018024371	A1	2/2018

(56)

References Cited

FOREIGN PATENT DOCUMENTS

WO	2018043872	A1	3/2018
WO	2018071589	A1	4/2018
WO	2018072504	A1	4/2018
WO	2018072505	A1	4/2018
WO	2018075446	A1	4/2018
WO	2018092997	A1	5/2018
WO	2018103312	A1	6/2018
WO	2018115402	A1	6/2018
WO	2018127716	A1	7/2018
WO	2018135697	A1	7/2018
WO	2018148418	A1	8/2018
WO	2018148954	A1	8/2018
WO	2018159958	A1	9/2018
WO	2018186598	A1	10/2018
WO	2018190537	A1	10/2018
WO	2018231103	A1	12/2018
WO	2018234275	A1	12/2018
WO	2019006983	A1	1/2019
WO	2019007920	A1	1/2019
WO	2019010504	A1	1/2019
WO	2019035592	A1	2/2019
WO	2019036486	A1	2/2019
WO	2019030803	A1	11/2019
WO	2019030805	A1	11/2019

OTHER PUBLICATIONS

International Search Report for International Application No. PCT/US2020/021718 filed Mar. 9, 2020; dated May 19, 2020; 6 pages.
 International Search Report for International Application No. PCT/US2020/021719 filed Mar. 9, 2020; dated May 19, 2020; 6 pages.
 Written Opinion for International Application No. PCT/US2020/021718 filed Mar. 9, 2020; dated May 19, 2020; 8 pages.
 Written Opinion for International Application No. PCT/US2020/021719 filed Mar. 9, 2020; dated May 19, 2020; 8 pages.
 Amazon.com; “Addwin Countertop Blender Professional Commercial Mixer Blender”; Nov. 8, 2018; <https://www.amazon.com/dp/B07KBYWB7L/> (Year: 2018); 1 page.

Chinese Application No. 201930680320X filed Dec. 6, 2019; Chinese Office Action with English Translation dated Jul. 23, 2020; 3 pages.
 International Search Report for International Application No. PCT/US2020/021728; International Filing Date: Mar. 9, 2020; dated Jul. 16, 2020; 7 pages.
 International Search Report for International Application No. PCT/US2020/037484; International Filing Date: Jun. 12, 2020; dated Sep. 22, 2020; 6 pages.
 Japanese Application No. 2020-11176 filed Jun. 5, 2020; Notice of Allowance dated Sep. 2, 2020; 6 pages.
 Japanese Design Application No. 201927097 filed Dec. 6, 2019; Notice of Allowance dated Jun. 12, 2020; 10 pages.
 Japanese Design Application No. 201927098 filed Dec. 6, 2019; Notice of Allowance dated Jun. 12, 2020; 10 pages.
 U.S. Appl. No. 29/694,050, filed Jun. 6, 2019; Notice of Allowance dated Jul. 29, 2020; 40 pages.
 U.S. Appl. No. 29/740,552, filed Jul. 6, 2020; Restriction Requirement dated Oct. 2, 2020; 8 pages.
 U.S. Appl. No. 29/740,562, filed Jul. 6, 2020; Restriction Requirement dated Oct. 2, 2020; 8 pages.
 Written Opinion for International Application No. PCT/US2020/021728; International Filing Date: Mar. 9, 2020; dated Jul. 16, 2020; 10 pages.
 Written Opinion for International Application No. PCT/US2020/037484; International Filing Date: Jun. 12, 2020; dated Sep. 22, 2020; 8 pages.
 Amazon.com; “Vitamix Con A3300 Ascent Series Smart Blender”; Available on amazon.com Jan. 5, 2017; (Year 2017); <https://www.amazon.com/dp/B01MT67Z7B/>; 1 page.
 U.S. Appl. No. 29/694,050, filed Jun. 6, 2019; Notice of Allowance dated Oct. 29, 2020; 15 pages.
 U.S. Appl. No. 29/694,051, filed Jun. 6, 2019; Restriction Requirement dated Dec. 15, 2020; 62 pages.
 U.S. Appl. No. 29/740,272, filed Jul. 2, 2020; Restriction Requirement dated Nov. 25, 2020; 7 pages.

* cited by examiner

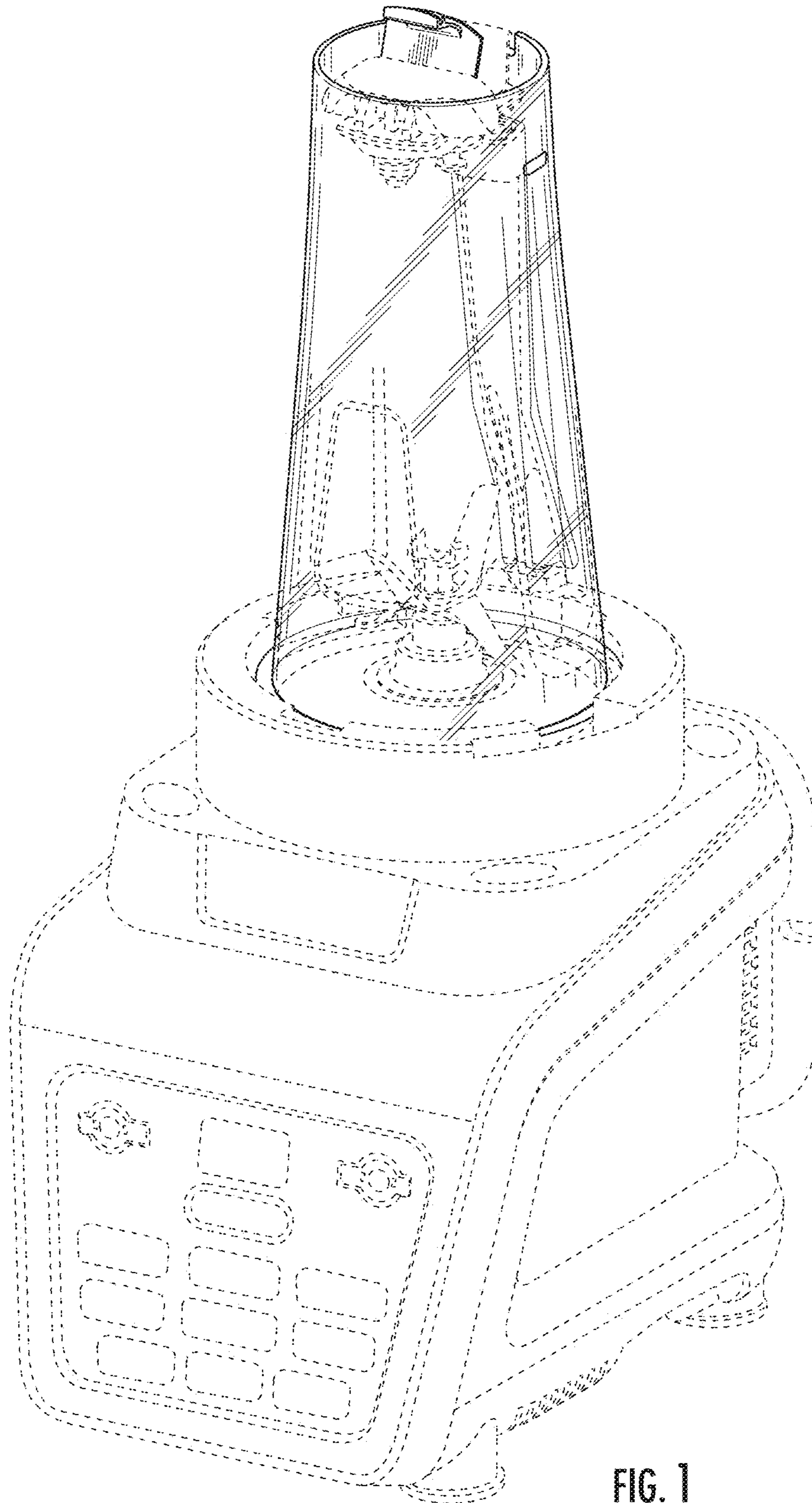


FIG. 1

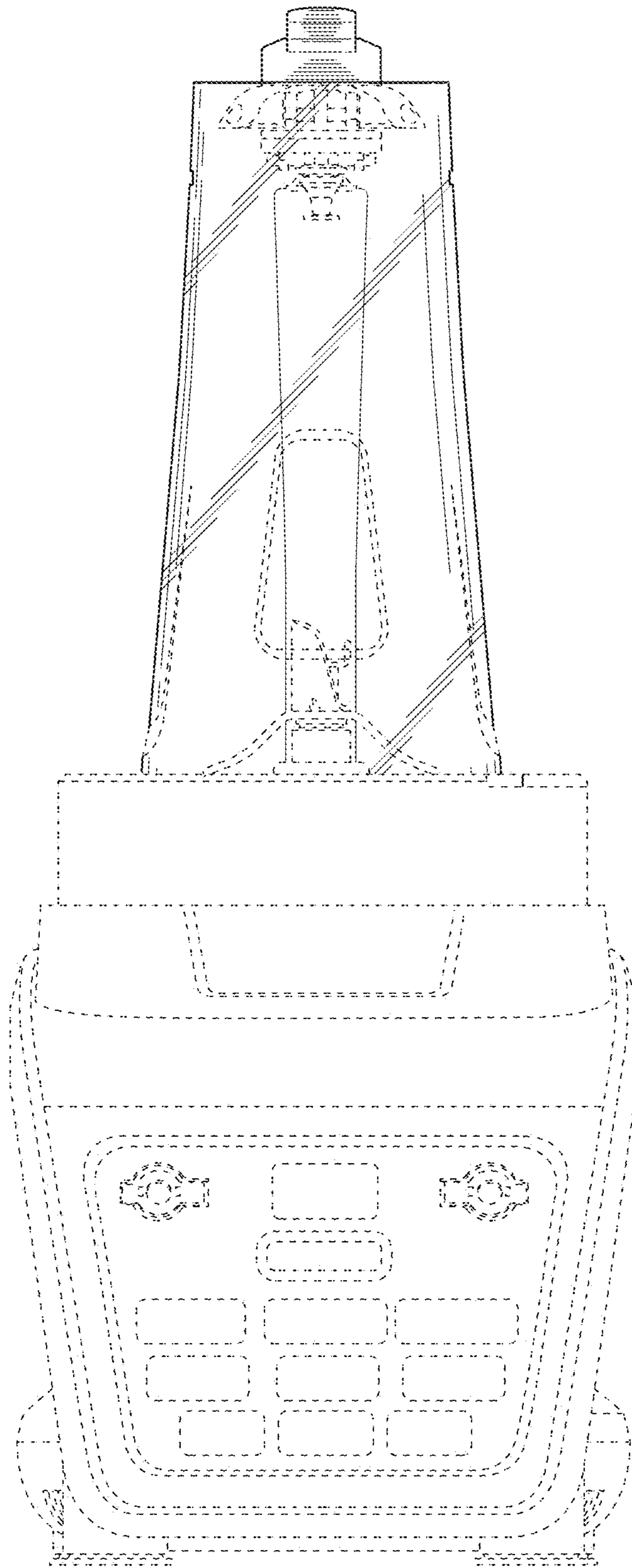


FIG. 2

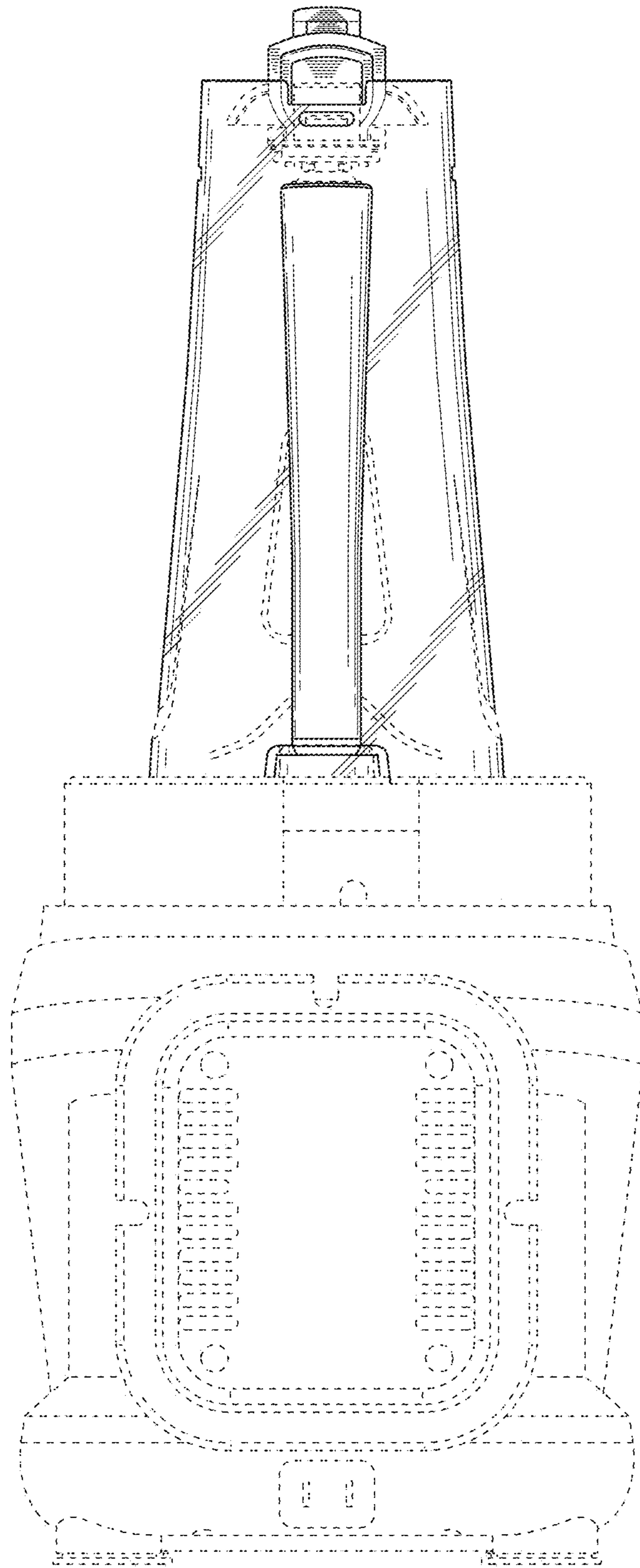


FIG. 3

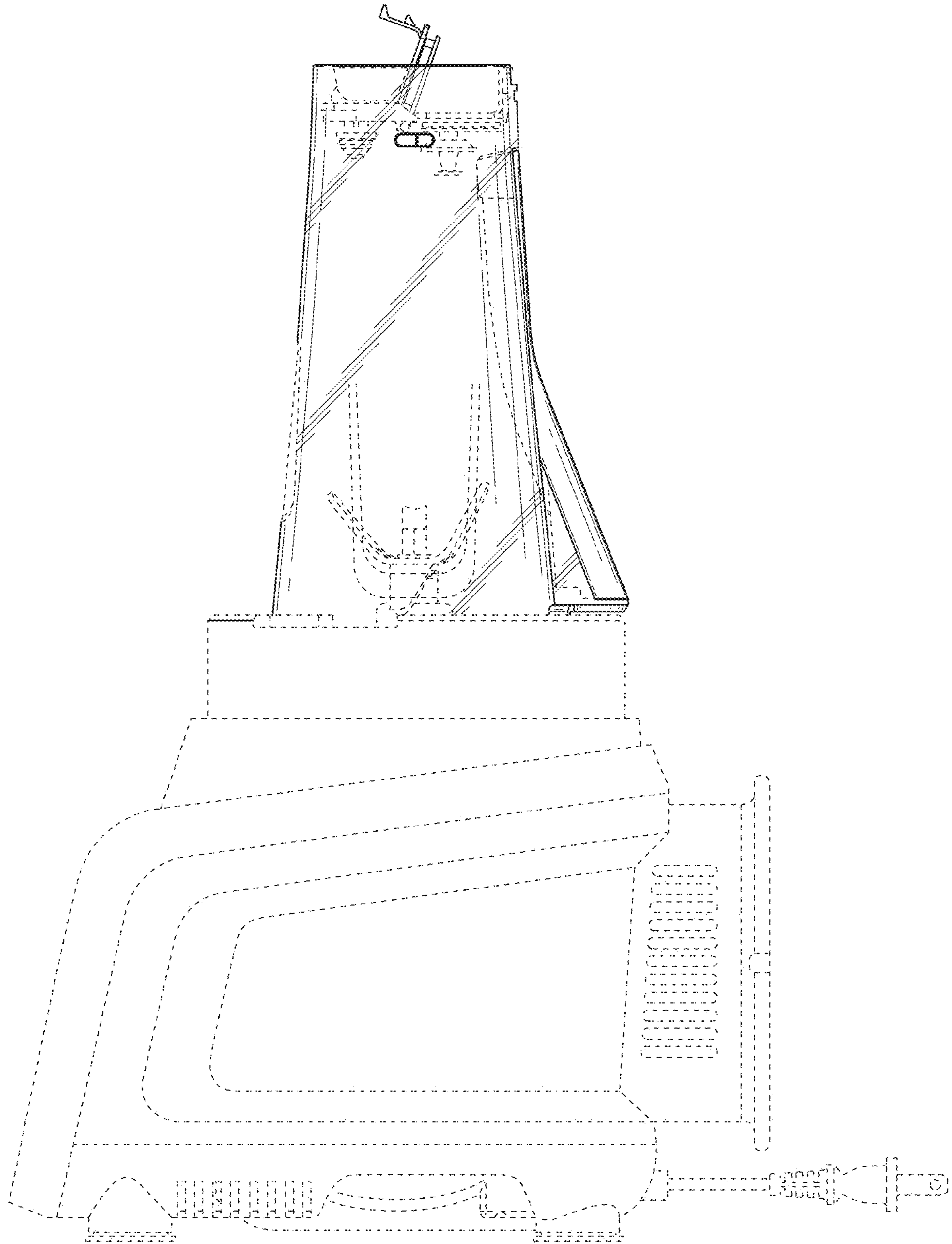


FIG. 4

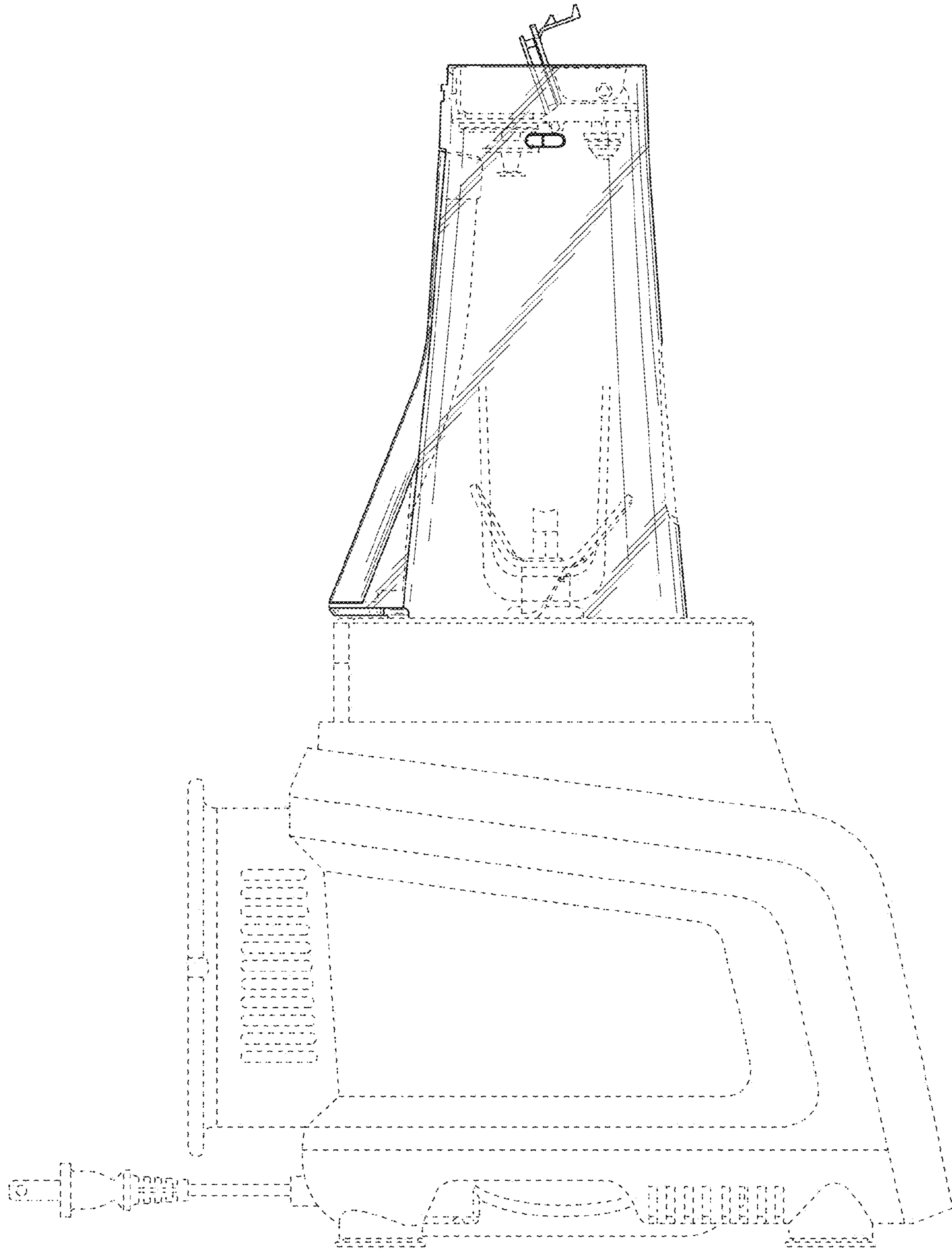


FIG. 5

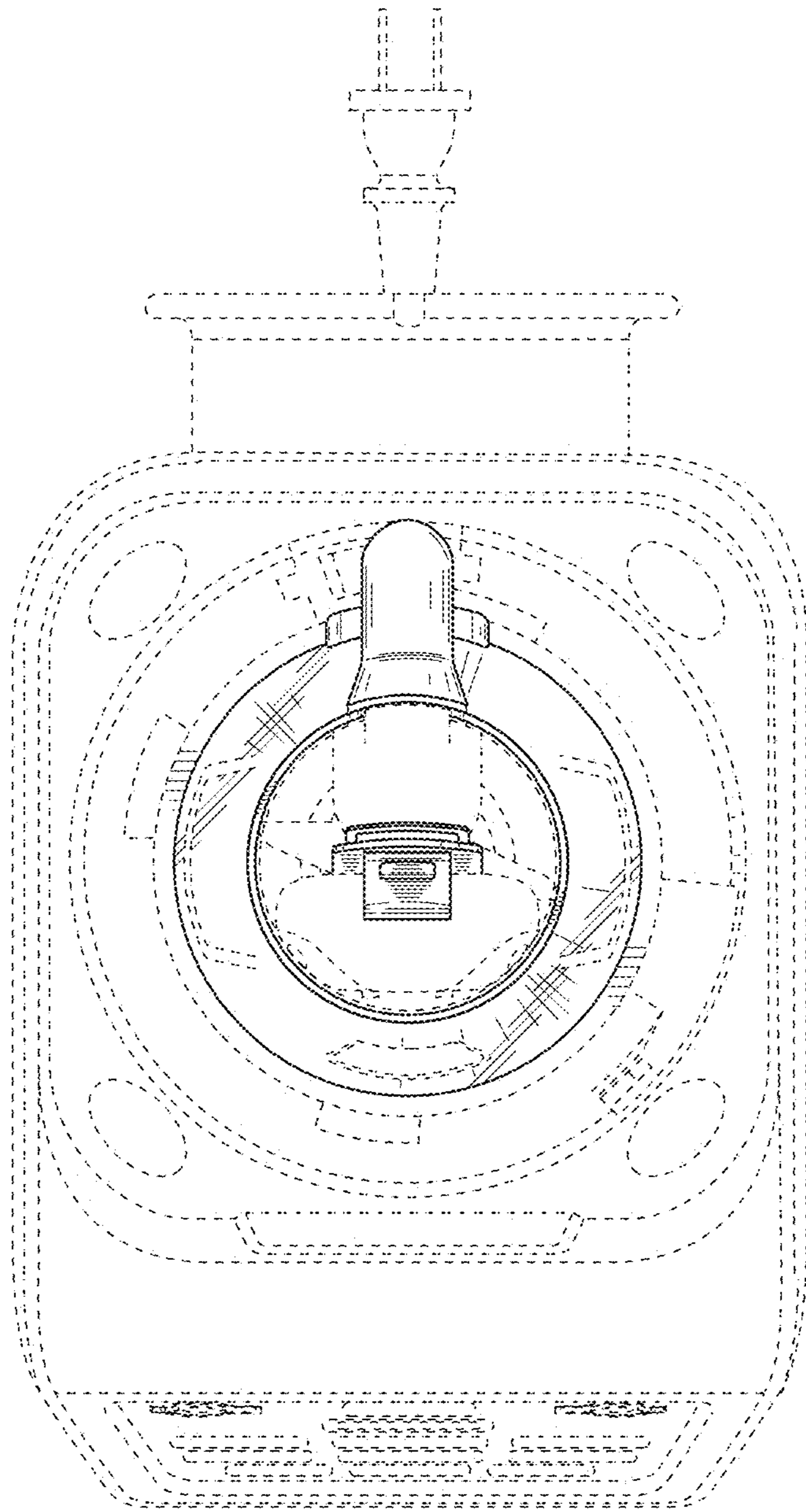


FIG. 6

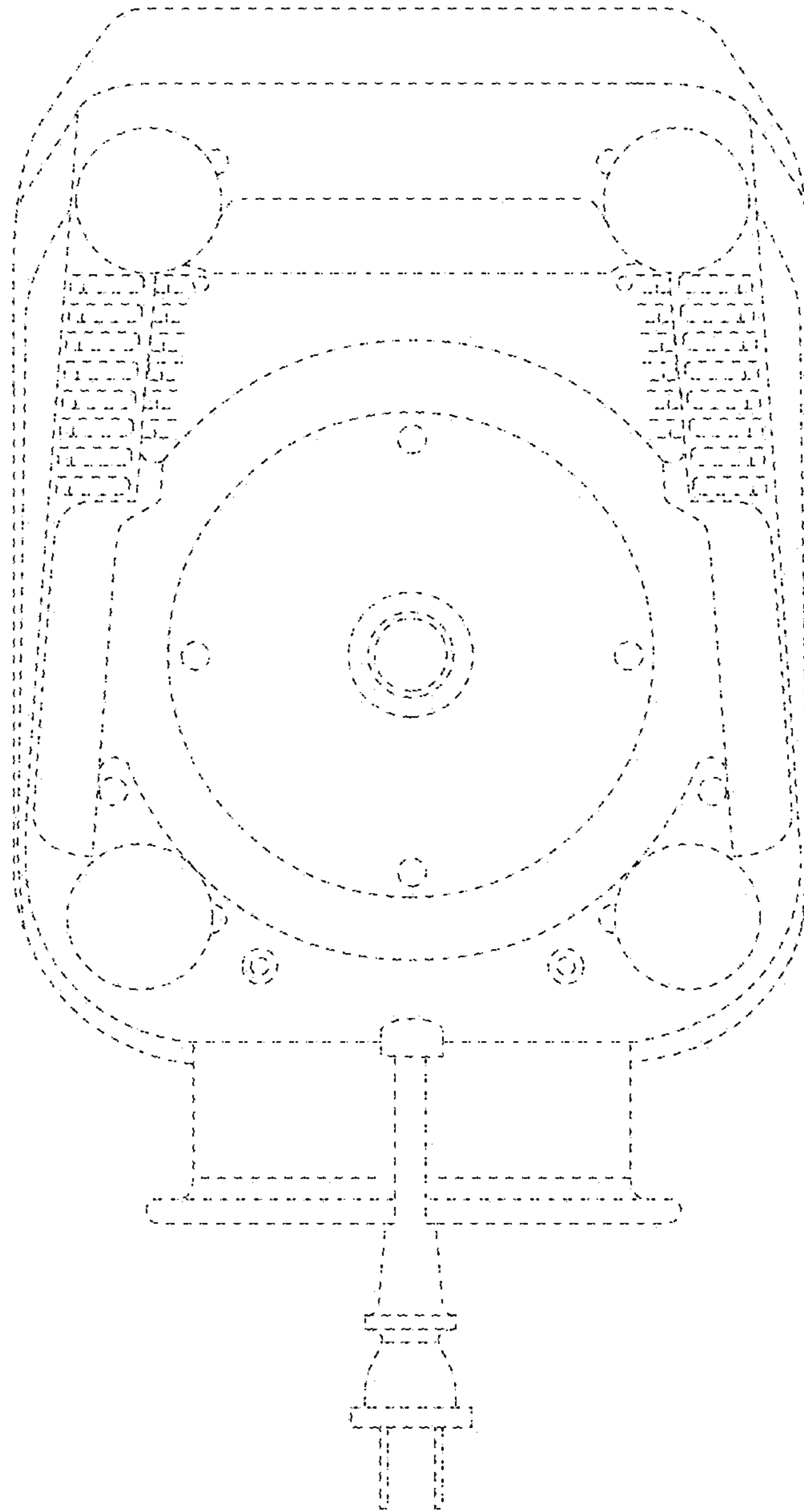


FIG. 7