



US00D927254S

(12) **United States Design Patent**
Chen

(10) **Patent No.:** **US D927,254 S**

(45) **Date of Patent:** **** Aug. 10, 2021**

- (54) **BLADE**
- (71) Applicant: **Jinxia Chen**, Zhejiang (CN)
- (72) Inventor: **Jinxia Chen**, Zhejiang (CN)
- (**) Term: **15 Years**
- (21) Appl. No.: **29/737,242**
- (22) Filed: **Jun. 8, 2020**
- (51) **LOC (13) Cl.** **31-00**
- (52) **U.S. Cl.**
USPC **D7/412**; D7/376; D7/378
- (58) **Field of Classification Search**
USPC D7/372, 376-386, 412-413, 602, 629,
D7/665-666, 669, 679, 693-694
CPC A21C 1/02; A21C 1/04; A23N 1/00; A23N
1/02; A47J 43/04; A47J 43/25; A47J
43/27; A47J 43/042; A47J 43/044; A47J
43/046; A47J 43/07; A47J 43/075; A47J
43/0722; A47J 43/0727; B01F 3/00; B01F
3/0807; B01F 3/0853; B01F 13/0059;
B01F 13/0064; B02C 1/08; B02C 2/04;
B02C 4/42; B02C 4/142; B02C 4/143;
B02C 4/423; B02C 13/1835; B26D
1/0006; B28C 5/10; B28C 5/12; B28C
5/14; B28C 5/16
See application file for complete search history.

D597,372 S *	8/2009	Nordwall	D7/378
7,641,380 B2 *	1/2010	Behar	A47J 43/0722
				366/205
D624,359 S *	9/2010	Schleinker	D7/412
D684,817 S *	6/2013	Leavitt	D7/412
D690,159 S *	9/2013	Gursel	D7/412
8,950,930 B2 *	2/2015	Wang	A47J 43/046
				366/205
D770,228 S *	11/2016	Pan	D7/413
9,750,373 B2 *	9/2017	Gherman	A47J 43/0722
2005/0099884 A1 *	5/2005	Lee	A47J 43/0722
				366/205
2009/0260236 A1 *	10/2009	Lin	B26D 1/0006
				30/265
2012/0080549 A1 *	4/2012	Rukavina	A47J 43/0722
				241/282.1

* cited by examiner

Primary Examiner — Ricky Pham

(57) **CLAIM**

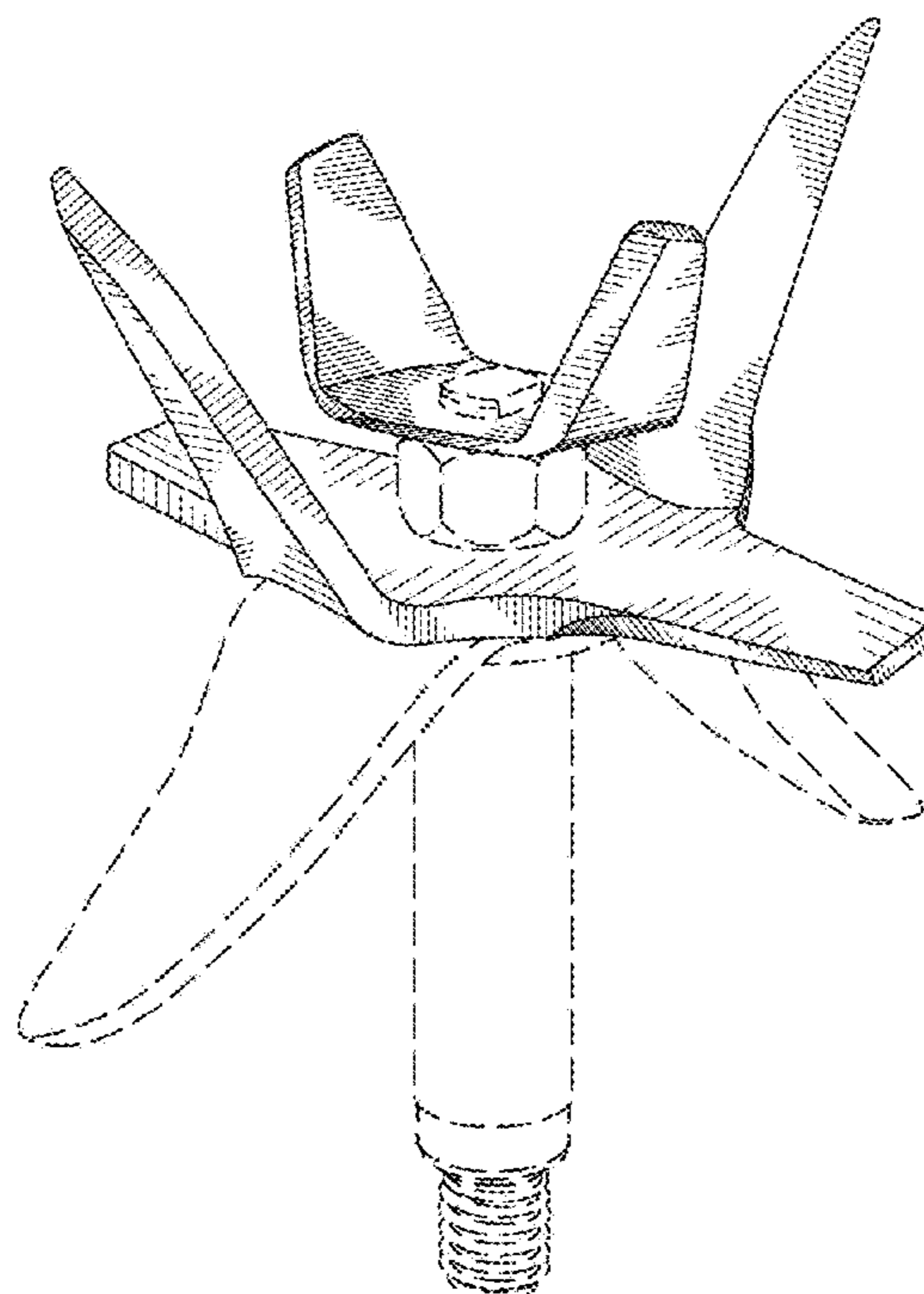
The ornamental design for a blade, as shown and described.

DESCRIPTION

FIG. 1 is a perspective view of a blade showing my new design;
 FIG. 2 is a front elevational view thereof;
 FIG. 3 is a rear elevational view thereof;
 FIG. 4 is a left side elevational view thereof;
 FIG. 5 is a right side elevational view thereof;
 FIG. 6 is a top plan view thereof; and,
 FIG. 7 is a bottom plan view thereof.
 The broken lines in the drawings depict portions of the blade that form no part of the claimed design.

1 Claim, 7 Drawing Sheets

- (56) **References Cited**
U.S. PATENT DOCUMENTS
2,771,111 A * 11/1956 Seyfried A47J 43/07
241/292.1
6,834,818 B2 * 12/2004 Lee A47J 43/0722
241/282.2



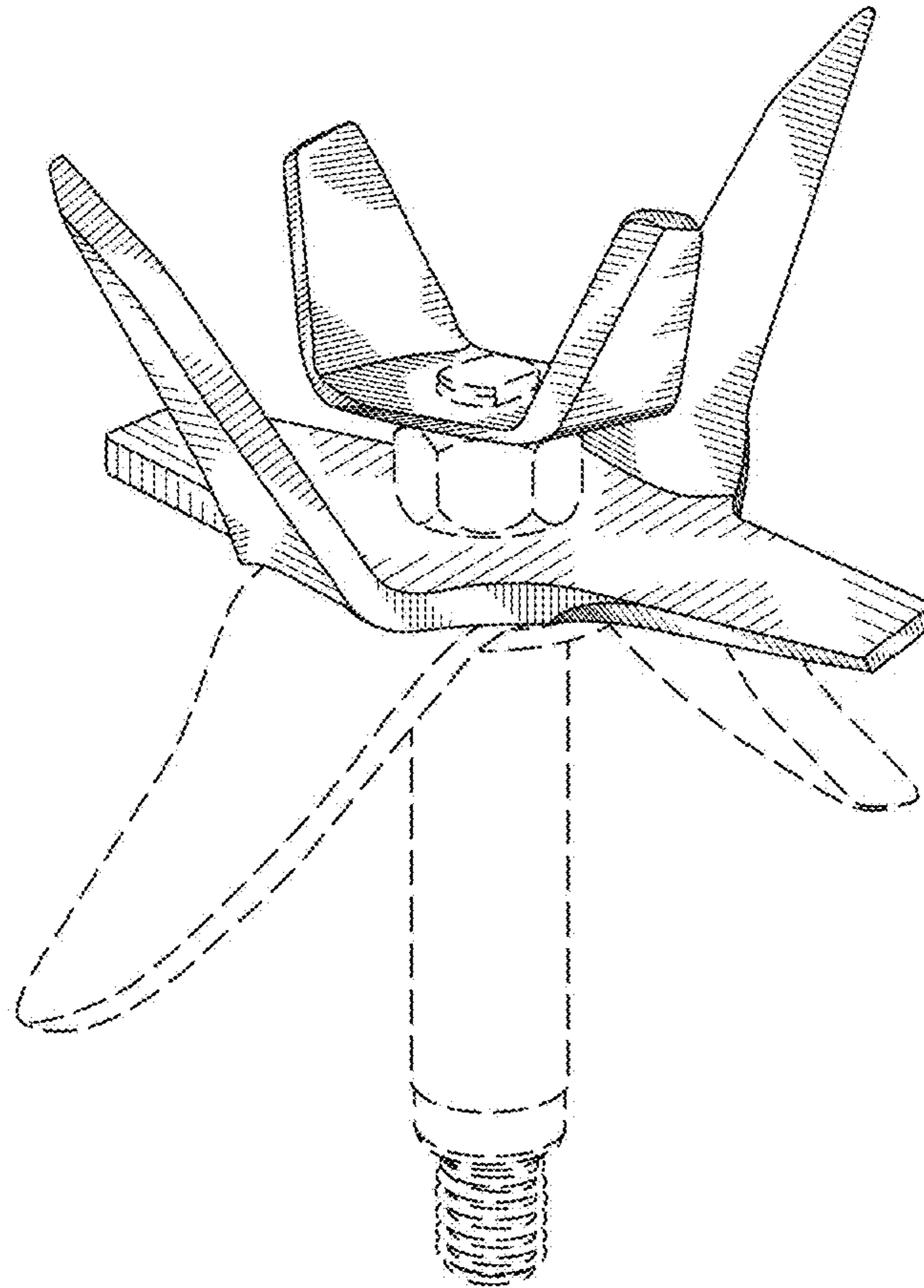


FIG. 1

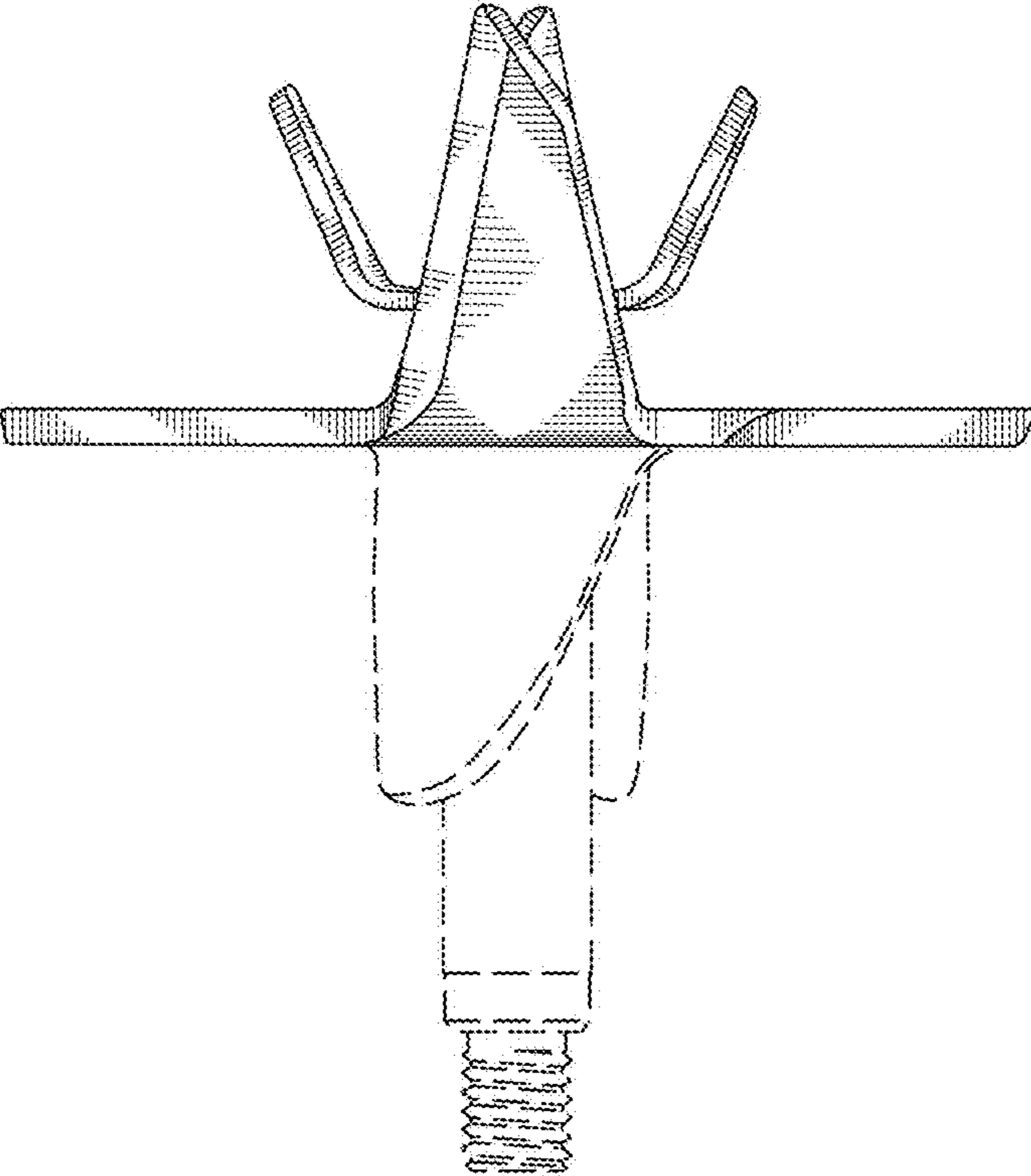


FIG. 2

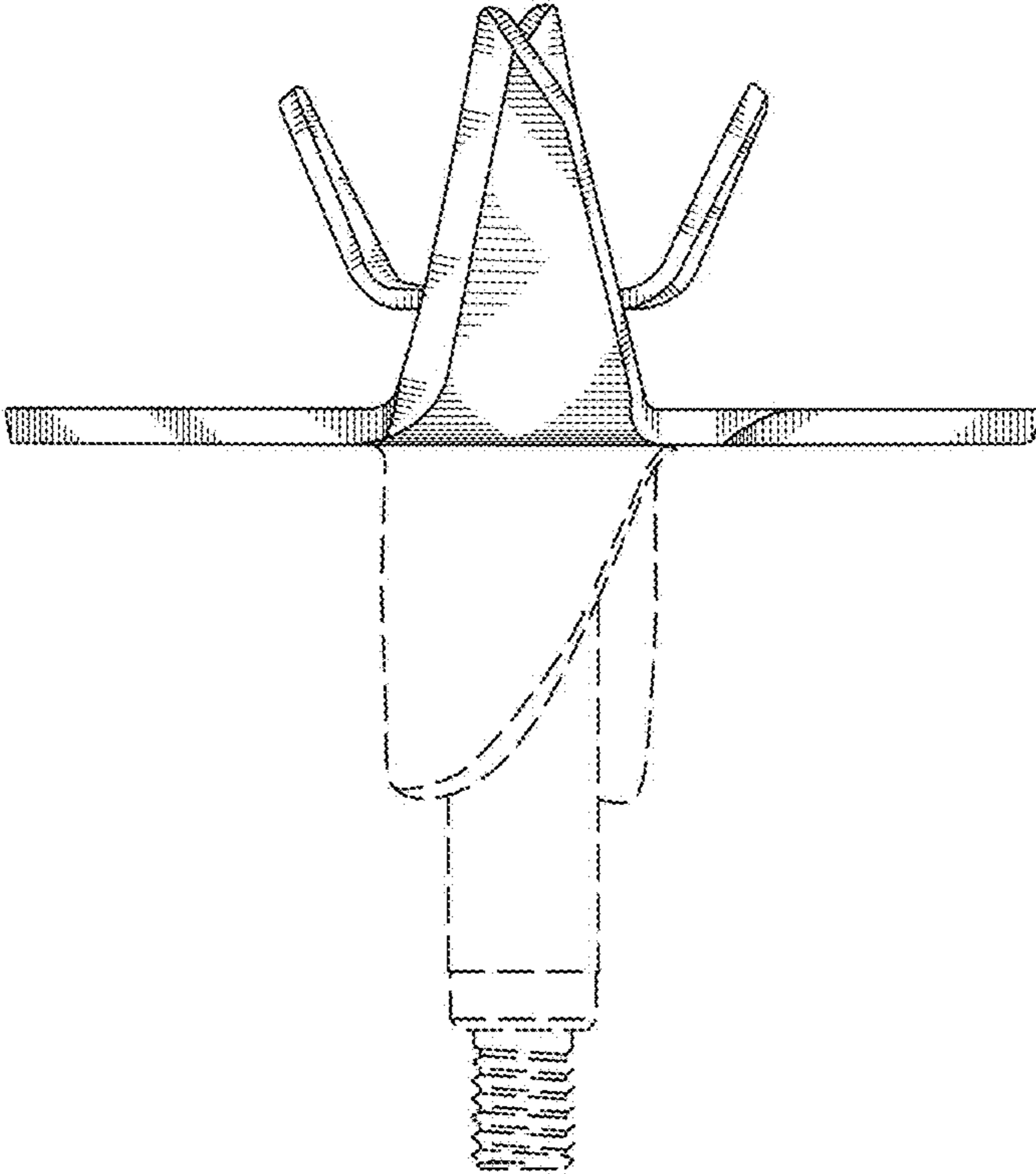


FIG. 3

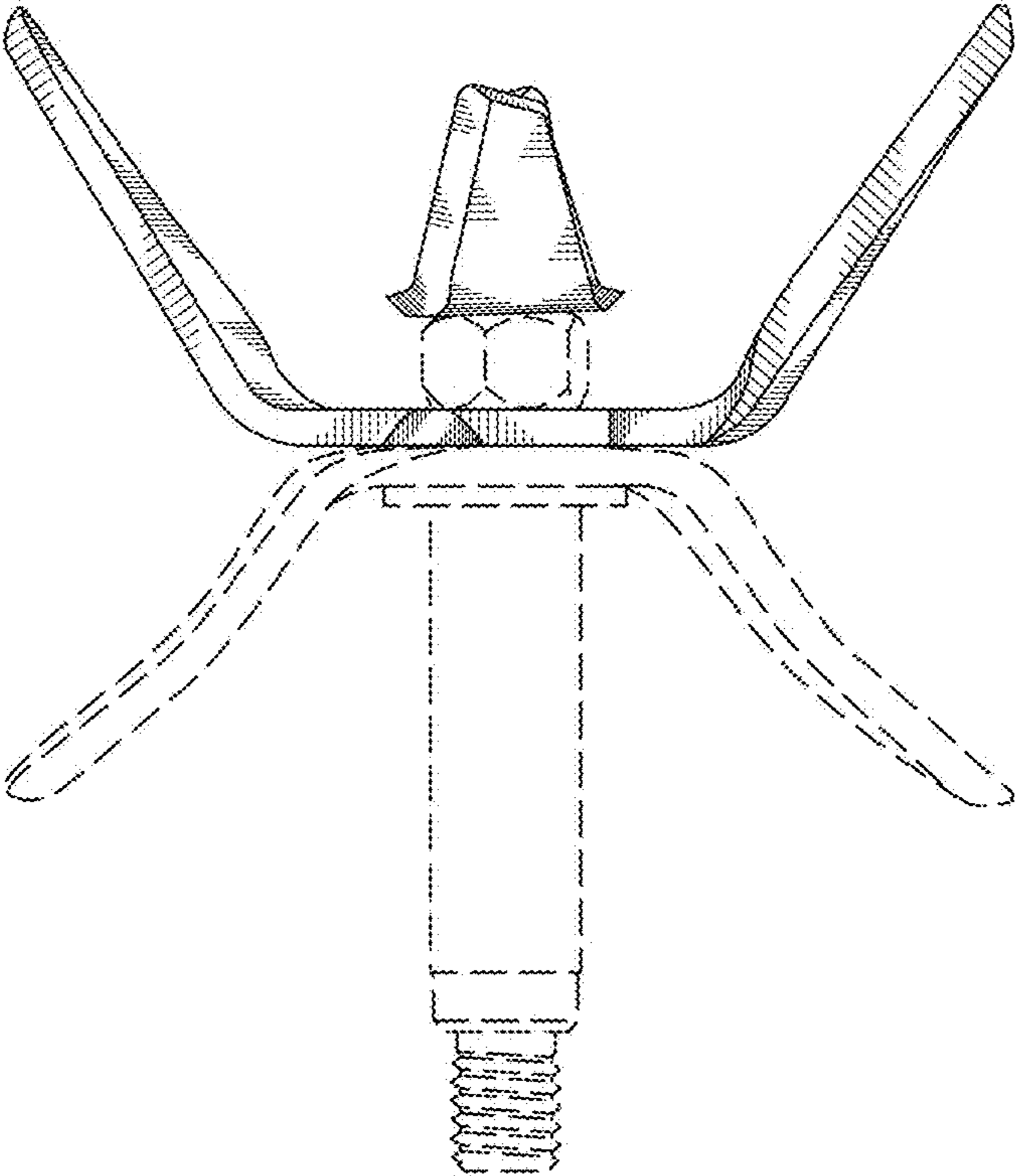


FIG. 4

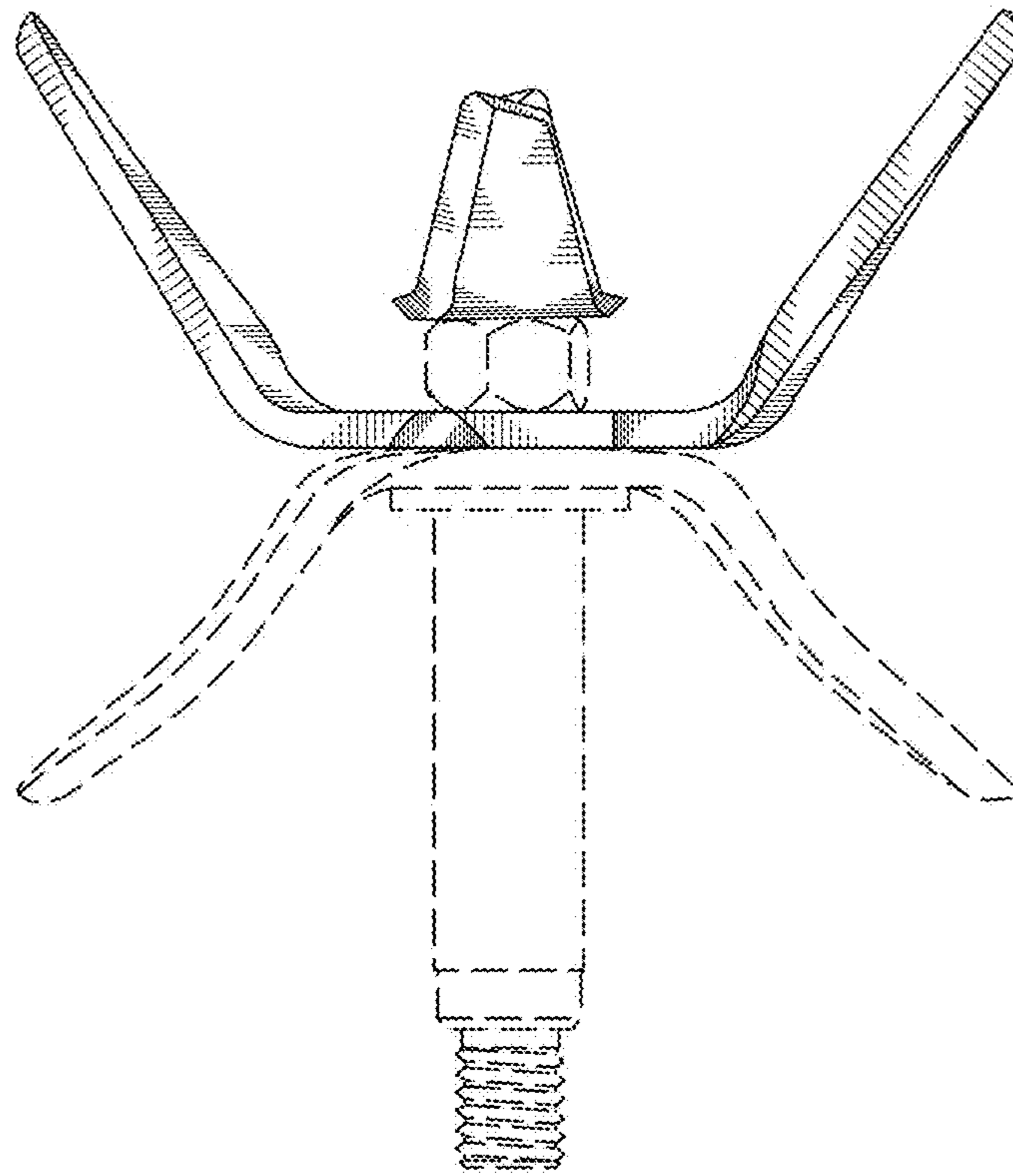


FIG. 5

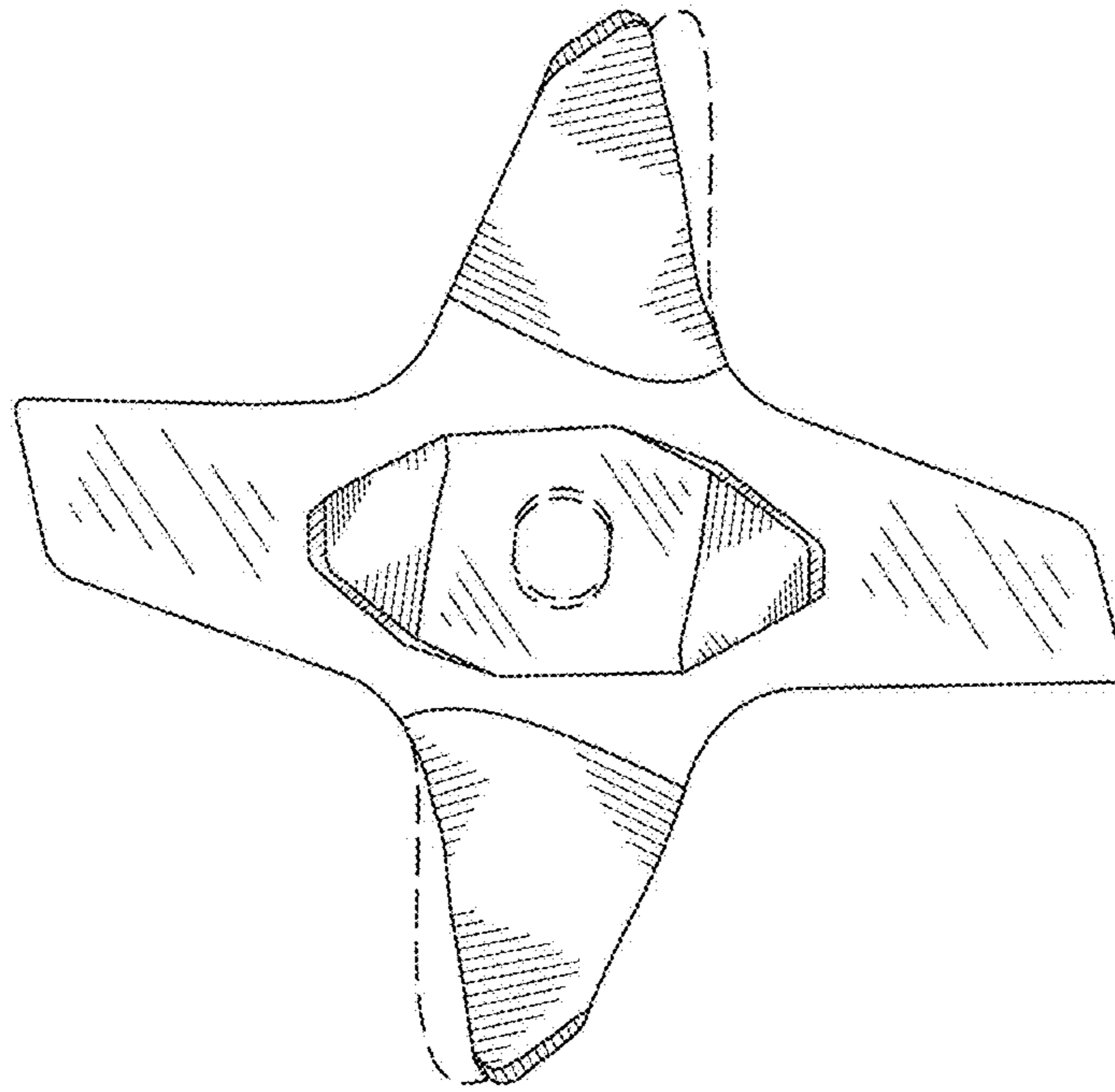


FIG. 6

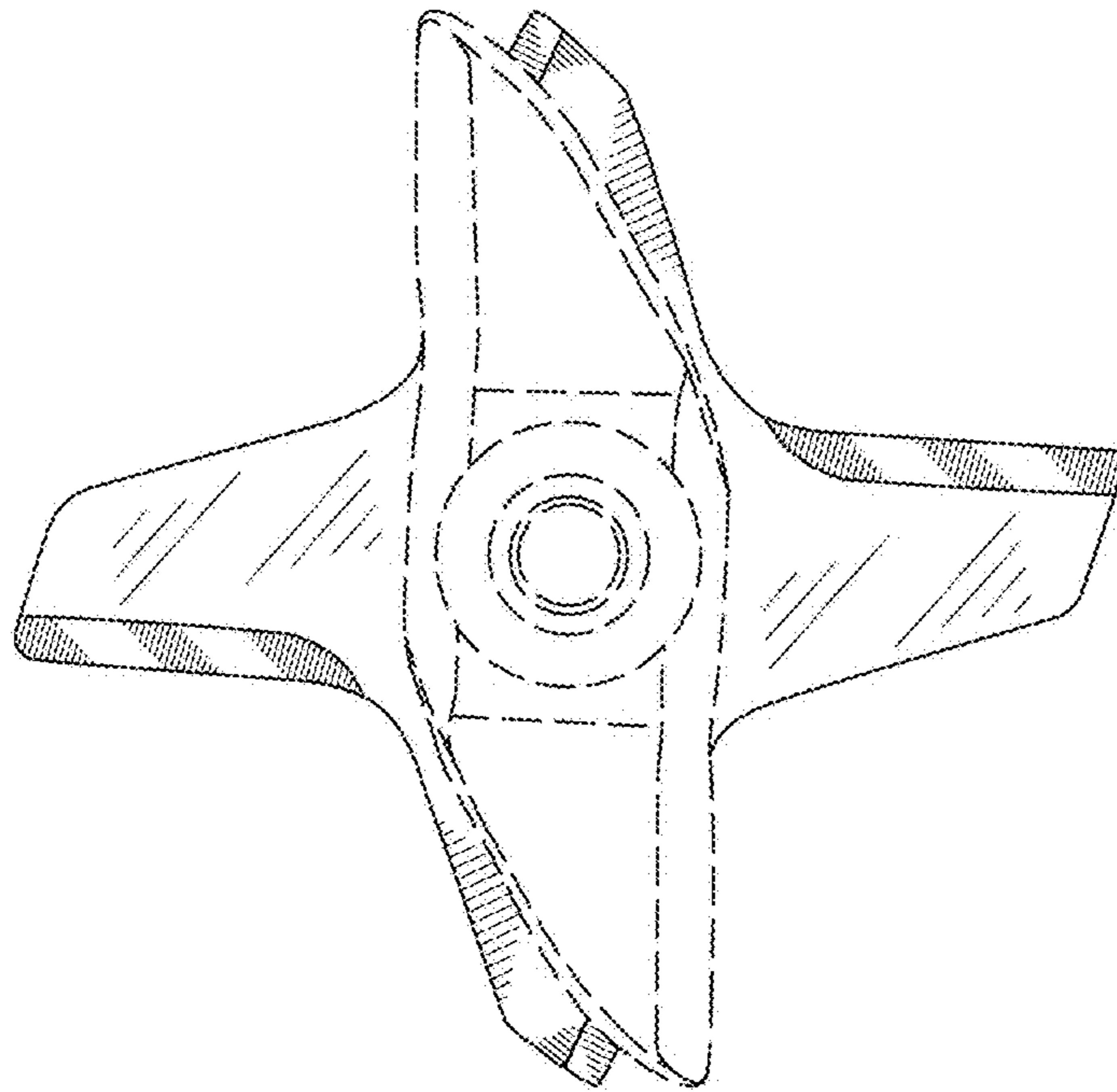


FIG. 7