



US00D927253S

(12) **United States Design Patent** (10) **Patent No.:** **US D927,253 S**
Cardano et al. (45) **Date of Patent:** **** *Aug. 10, 2021**

(54) **CRISP EMITTER**

- (71) Applicant: **WHIRLPOOL CORPORATION**,
Benton Harbor, MI (US)
- (72) Inventors: **Fabio Cardano**, Galliate (IT); **Lin Ge**,
Shenzhen (CN); **Charles Tat Kan Lai**,
Kowloon (HK); **Kyle A. Walters**,
Benton Harbor, MI (US); **Tie He Yang**,
Shenzhen (CN)
- (73) Assignee: **Whirlpool Corporation**, Benton
Harbor, MI (US)
- (*) Notice: This patent is subject to a terminal dis-
claimer.
- (**) Term: **15 Years**
- (21) Appl. No.: **29/709,394**
- (22) Filed: **Oct. 14, 2019**

Related U.S. Application Data

- (63) Continuation of application No. 29/621,977, filed on
Oct. 12, 2017, now Pat. No. Des. 862,980.
- (51) **LOC (13) Cl.** **07-02**
- (52) **U.S. Cl.**
USPC **D7/407**
- (58) **Field of Classification Search**
USPC D7/323, 332, 334-337, 339-341,
D7/346-349, 350.1, 350.3, 351-353, 362,
(Continued)

References Cited

U.S. PATENT DOCUMENTS

- D42,991 S * 9/1912 Carpenter D8/316
 - D274,113 S 6/1984 Steinkamp
- (Continued)

OTHER PUBLICATIONS

Whirlpool MCP349SL Over Range Microwave, first available Mar. 6, 2017, Amazon UK, [online], [site visited Jan. 28, 2021], Available from internet URL: <https://www.amazon.co.uk/Whirlpool-MCP-349-SL-Microwave-Stainless/dp/B06XF63GBK> (Year: 2017).*

Primary Examiner — Mary Ann Calabrese
Assistant Examiner — Natalya M Rapundalo
(74) *Attorney, Agent, or Firm* — Price Heneveld LLP

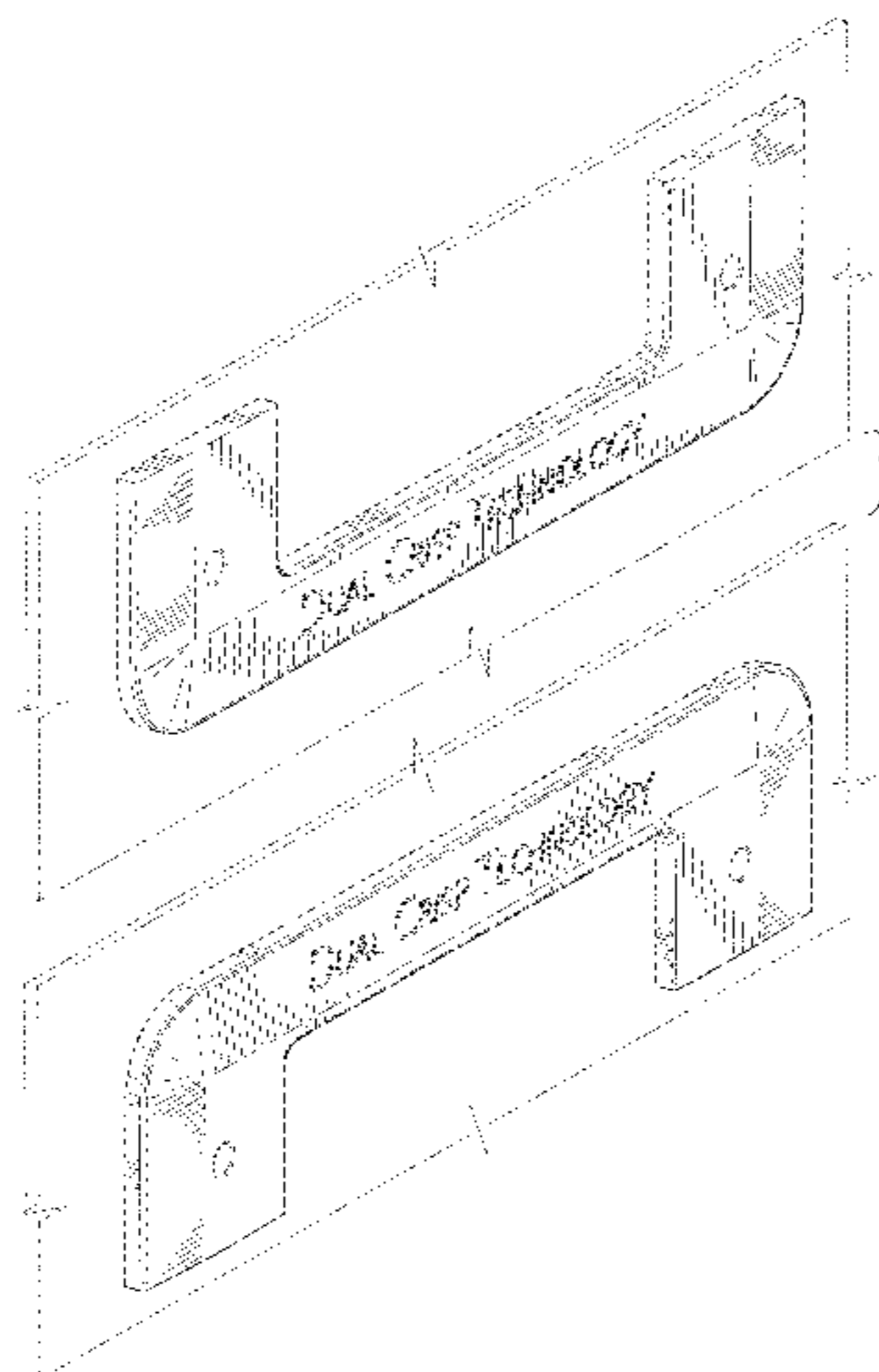
CLAIM

We claim the ornamental design for a crisp emitter, as shown and described.

DESCRIPTION

FIG. 1 is a front perspective view of one embodiment of a crisp emitter of the present disclosure;
FIG. 2 is a front elevational view of the crisp emitter of FIG. 1;
FIG. 3 is a rear elevational view of the crisp emitter of FIG. 1;
FIG. 4 is a first side elevational view of the crisp emitter of FIG. 1;
FIG. 5 is a second side elevational view of the crisp emitter of FIG. 1;
FIG. 6 is a top plan view of the crisp emitter of FIG. 1;
FIG. 7 is a bottom plan view of the crisp emitter of FIG. 1;
FIG. 8 is a front perspective view of another embodiment of a crisp emitter of the present disclosure;
FIG. 9 is a front elevational view of the crisp emitter of FIG. 8;
FIG. 10 is a rear elevational view of the crisp emitter of FIG. 8;
FIG. 11 is a first side elevational view of the crisp emitter of FIG. 8;
FIG. 12 is a second side elevational view of the crisp emitter of FIG. 8;
FIG. 13 is a top plan view of the crisp emitter of FIG. 8; and, FIG. 14 is a bottom plan view of the crisp emitter of FIG. 8.
The broken lines depict portions of the article that form no part of the claimed design.

(Continued)



Separated portions of the crisp emitter that are connected by a bracket indicate that any portion of the article between the broken lines form no part of the claim design. The brackets form no part of the claimed design.

3/082; F24C 3/10; F24C 3/106; F24C 3/14; F24C 7/00; F24C 7/02; F24C 7/04; F24C 7/043; F24C 7/10; F24C 7/083; F24C 15/10; F24C 15/36

See application file for complete search history.

1 Claim, 10 Drawing Sheets

(56)

References Cited

U.S. PATENT DOCUMENTS

(58) Field of Classification Search

USPC D7/363, 387, 402, 403, 405-409; D8/315-318
CPC .. A47J 33/00; A47J 36/00; A47J 36/26; A47J 37/00; A47J 37/04; A47J 37/06; A47J 37/0611; A47J 37/0623; A47J 37/0647; A47J 37/0652; A47J 37/07; A47J 37/0704; A47J 37/0713; A47J 37/0718; A47J 37/0727; A47J 37/0731; A47J 37/074; A47J 37/0754; A47J 37/0763; A47J 2037/0777; F23D 14/10; F24C 1/00; F24C 3/00; F24C 3/002; F24C 3/022; F24C 3/042; F24C 3/08; F24C

D434,634 S 12/2000 Korn et al.
D525,819 S 8/2006 Chung
D551,056 S 9/2007 Ricereto
D589,749 S 4/2009 Leavens et al.
D597,396 S 8/2009 Menzies
D618,056 S 6/2010 Sly
D699,513 S 2/2014 Roper
D741,139 S 10/2015 Sheppard
D745,804 S 12/2015 Baacke et al.
D758,798 S 6/2016 Hunt et al.
D826,686 S 8/2018 Kim et al.
D862,980 S * 10/2019 Cardano D7/402
D878,896 S * 3/2020 Warmenhoven D8/315

* cited by examiner

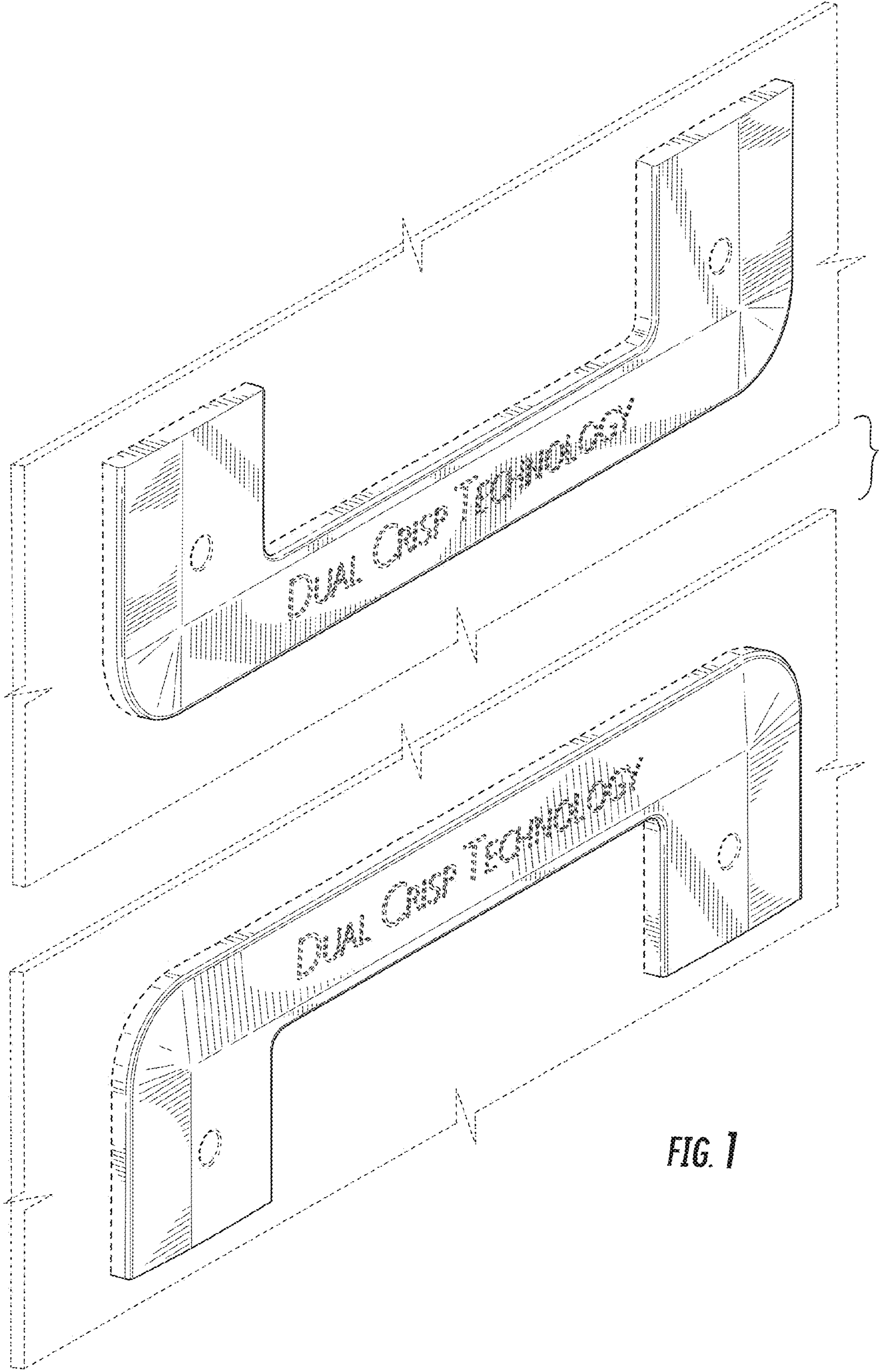


FIG. 1

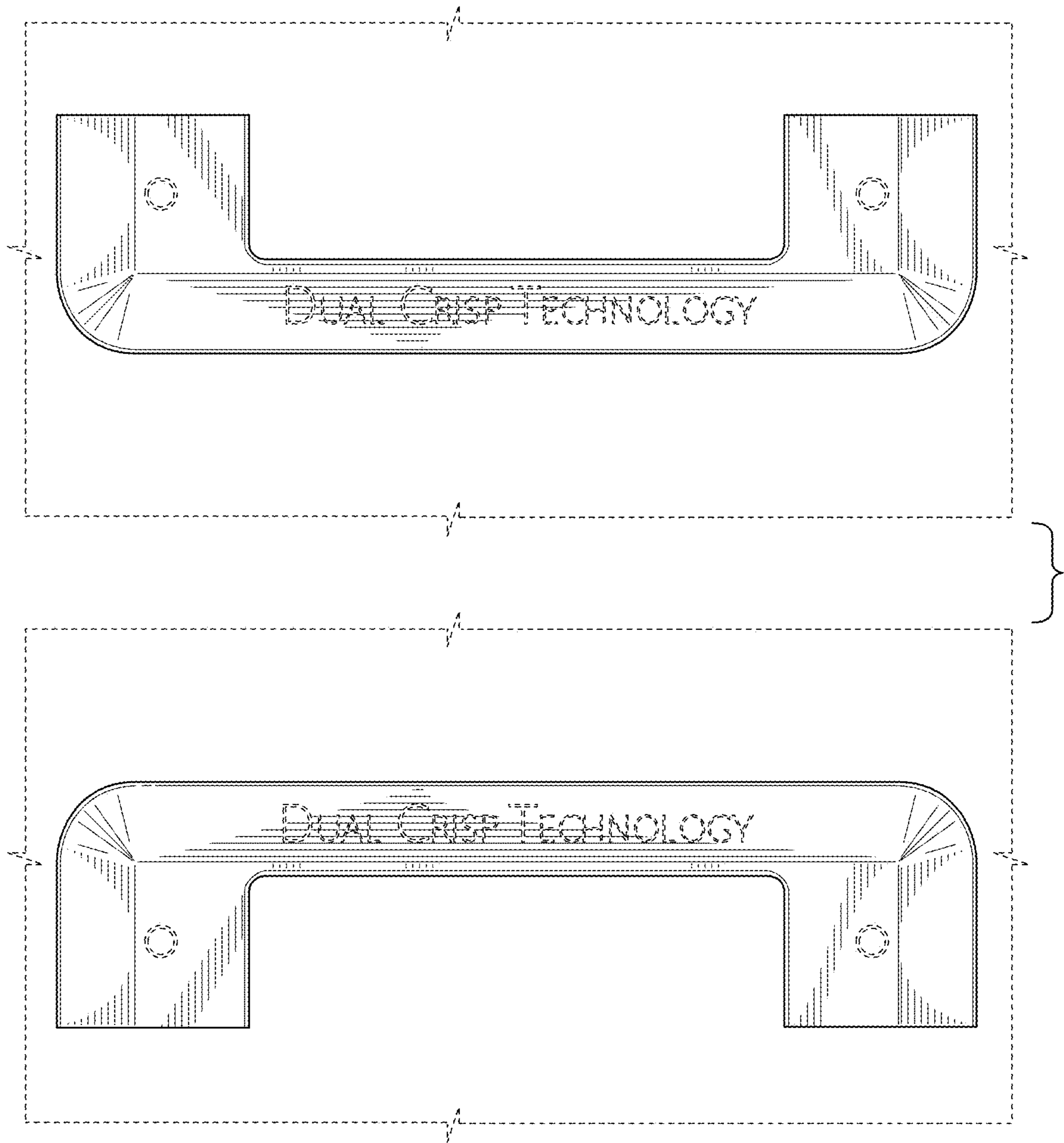


FIG. 2

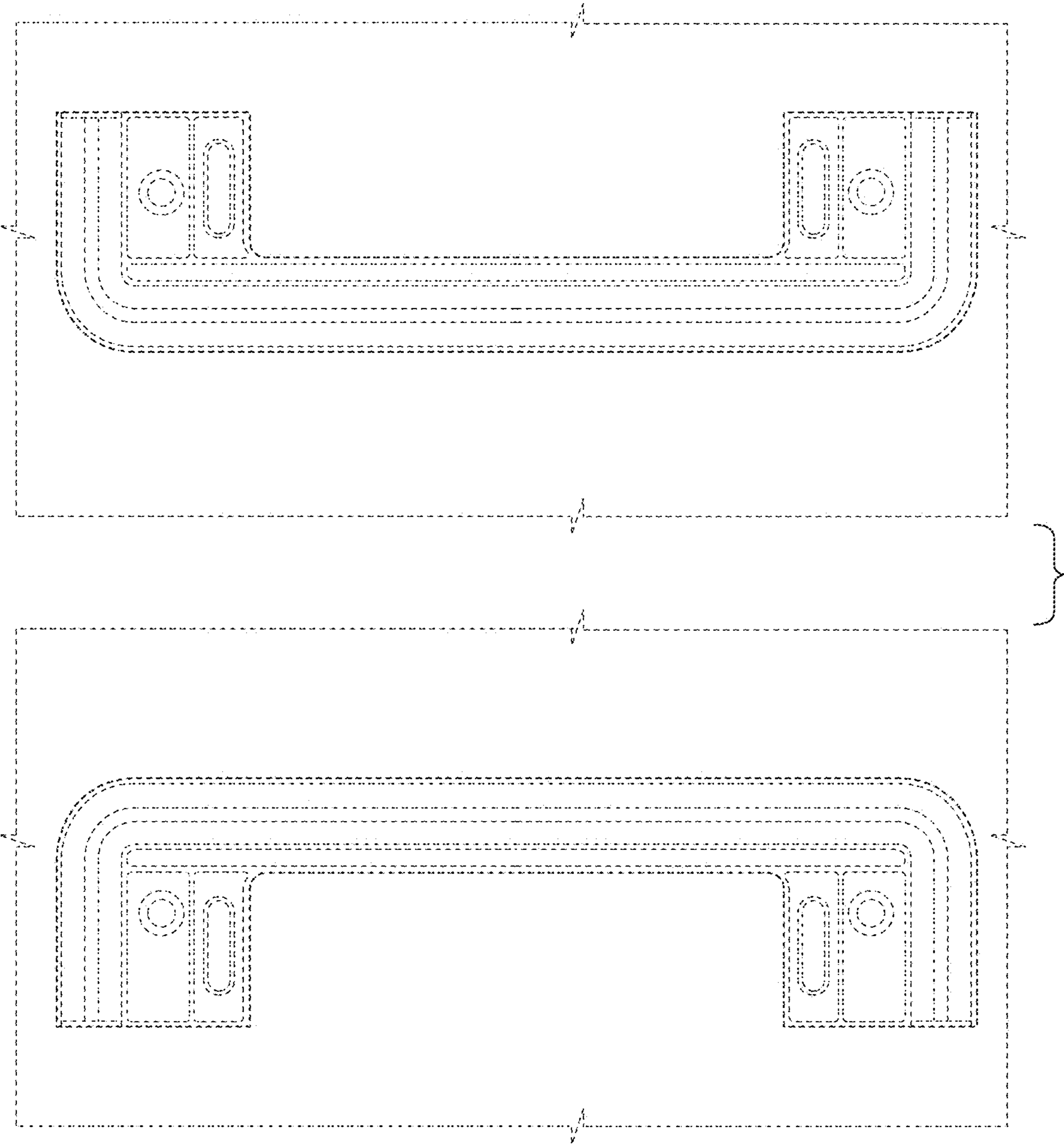


FIG. 3



FIG. 4



FIG. 5

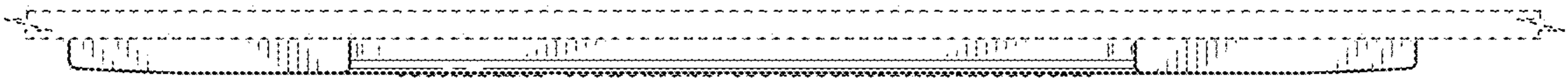


FIG. 6

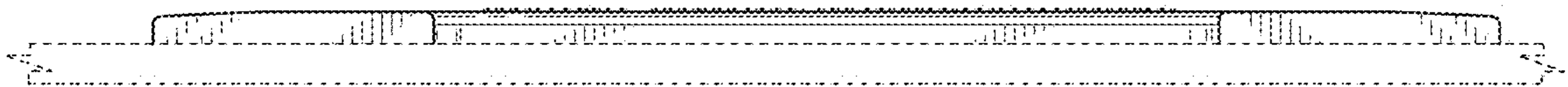


FIG. 7

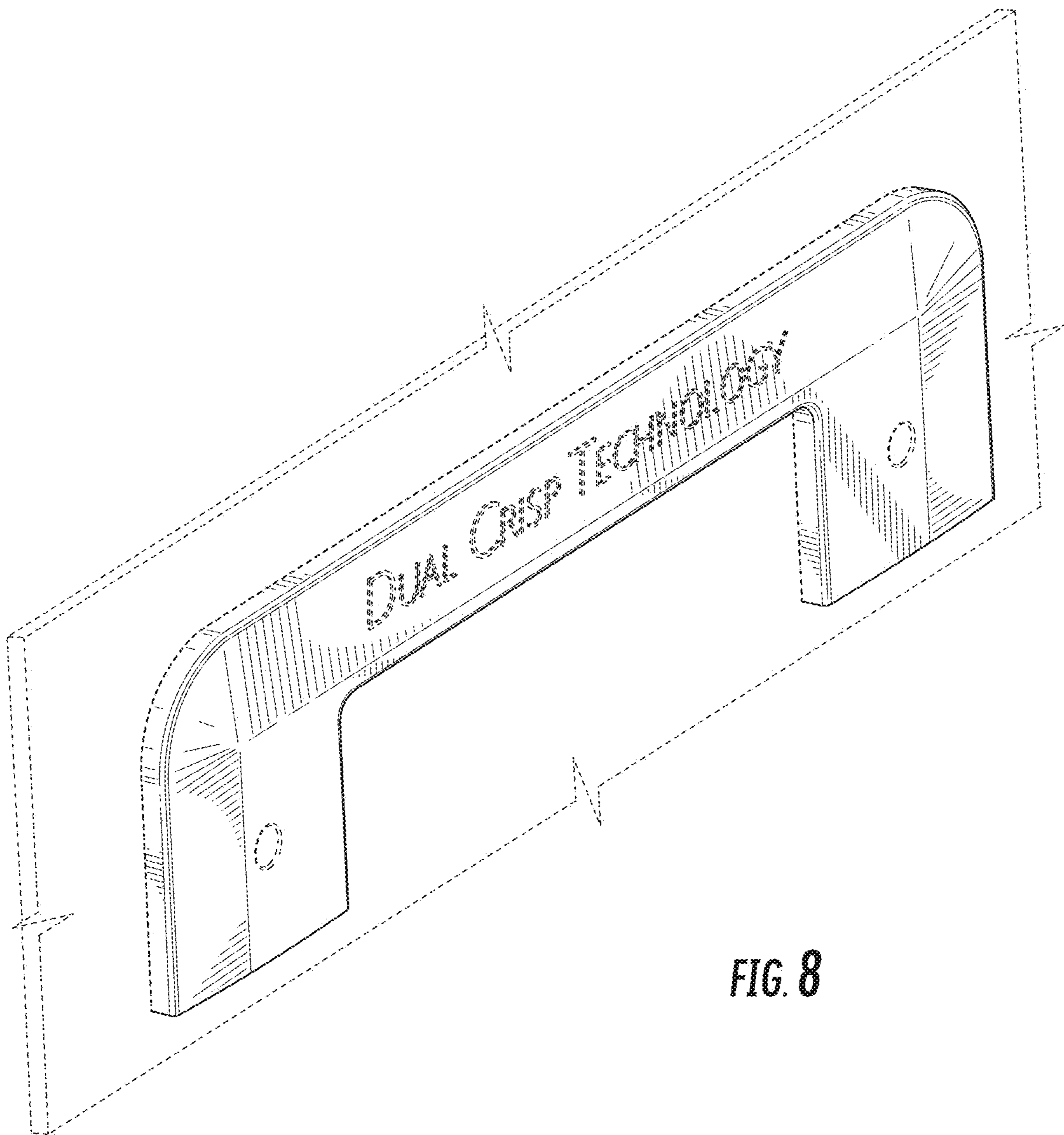


FIG. 8

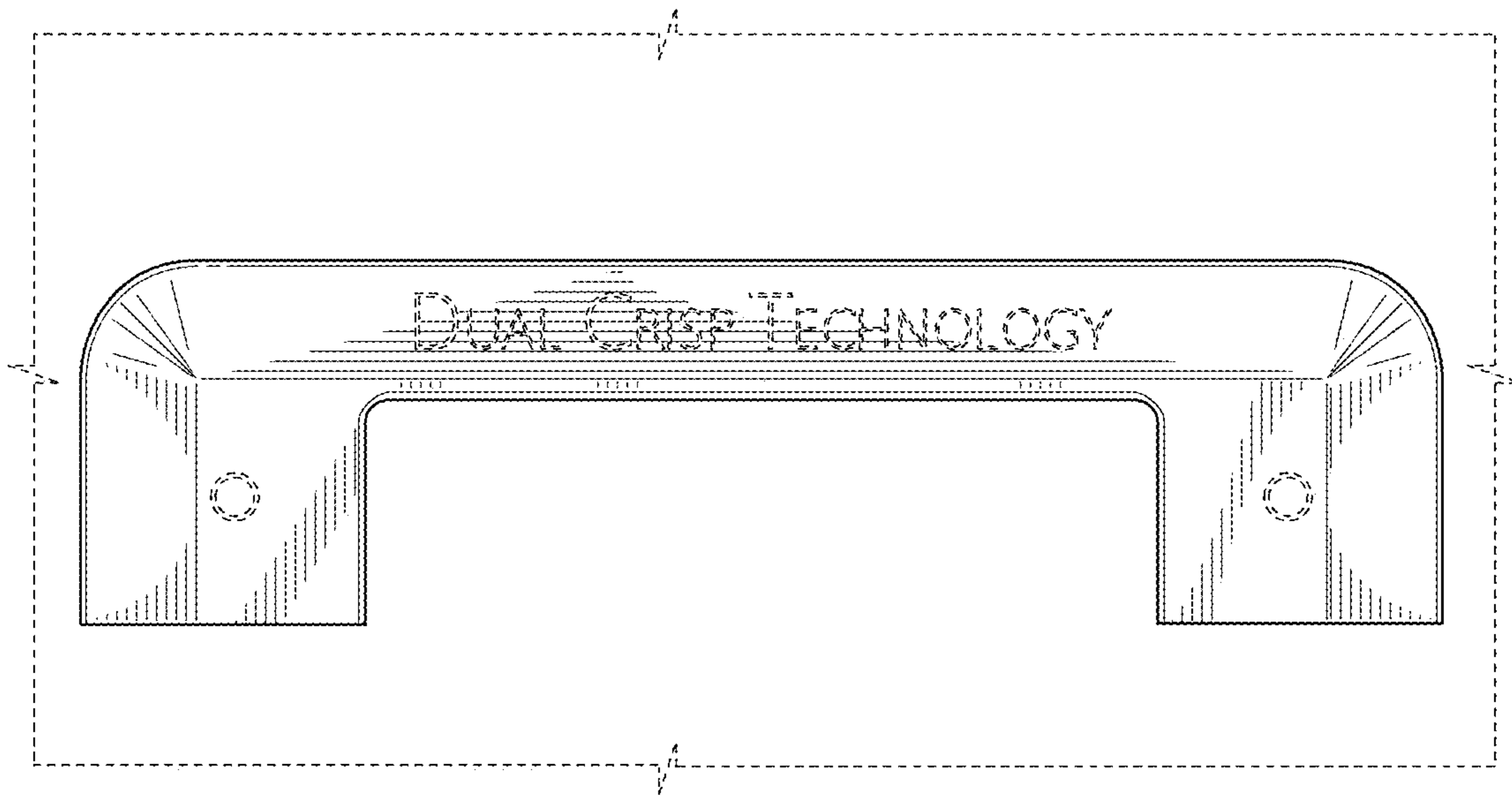


FIG. 9

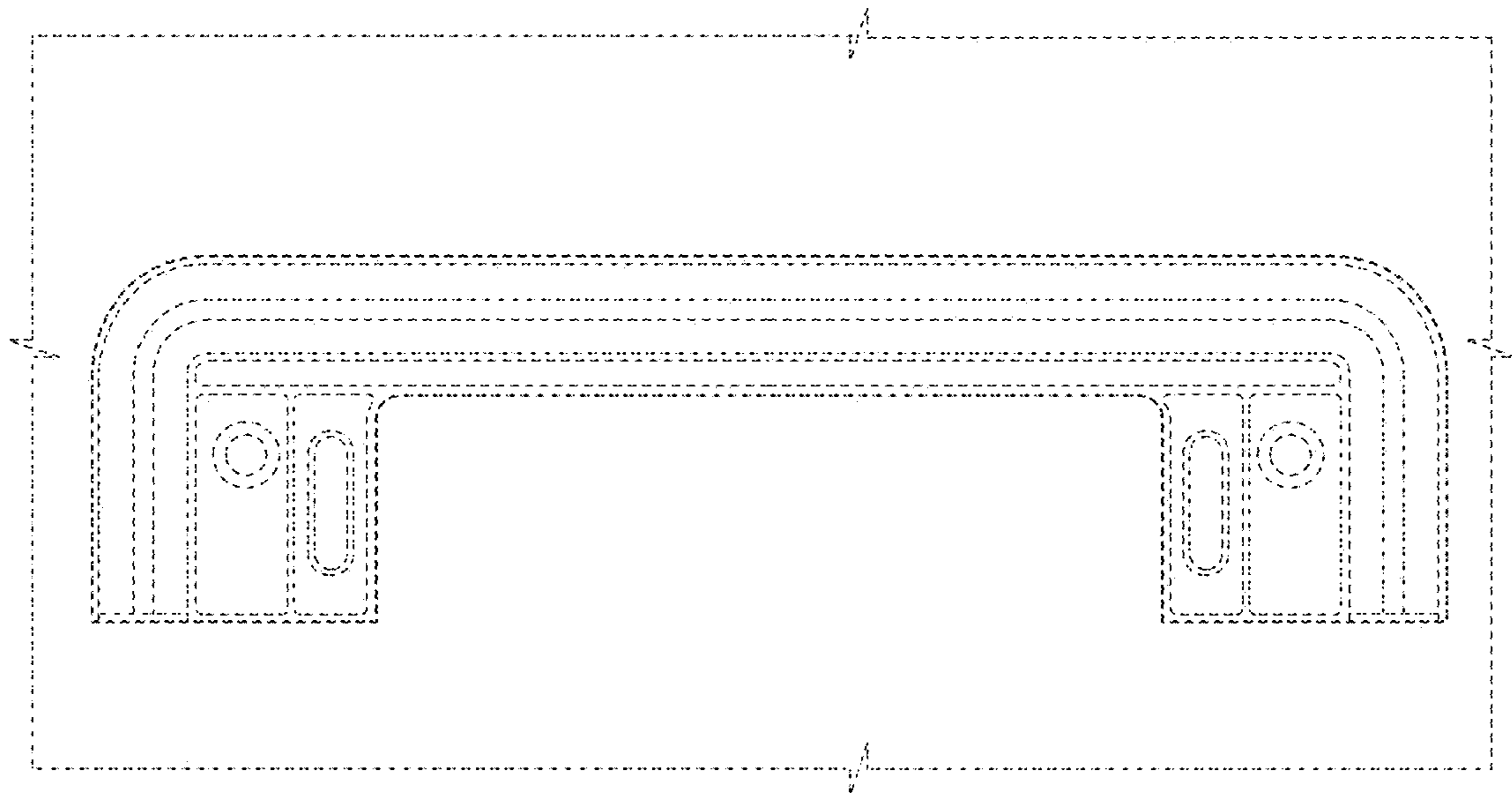


FIG. 10

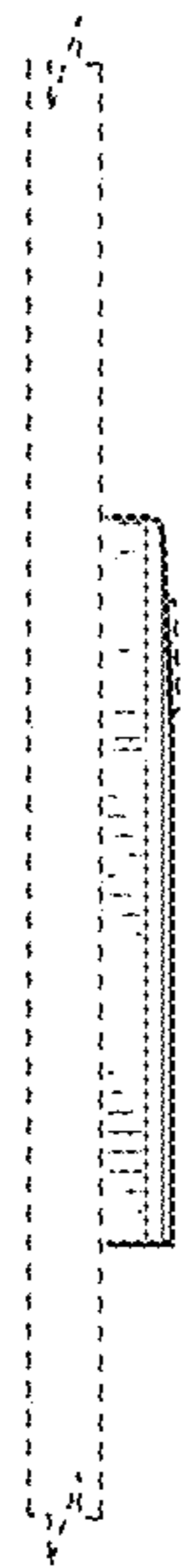


FIG. 11

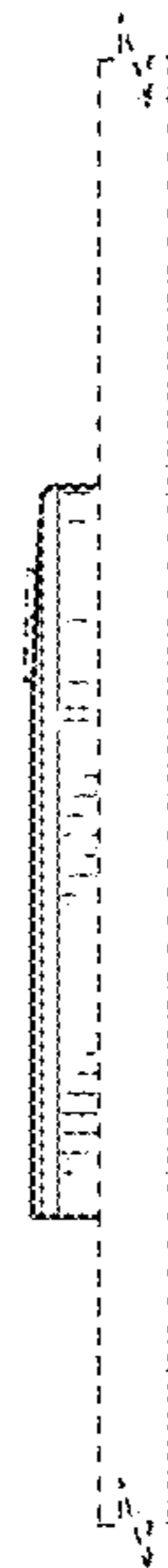


FIG. 12

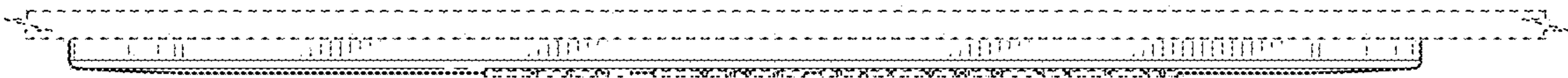


FIG. 13

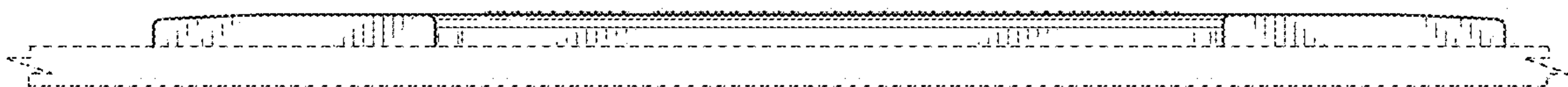


FIG. 14