



US00D927251S

(12) **United States Design Patent** (10) **Patent No.:** **US D927,251 S**
Plant (45) **Date of Patent:** **** Aug. 10, 2021**

(54) **KNIFE HANDLE**

(71) Applicant: **Fackelmann Housewares IP Pty Ltd**,
New South Wales (AU)

(72) Inventor: **Annette Plant**, New South Wales (AU)

(73) Assignee: **FACKELMANN HOUSEWARES IP
PTY LTD**, New South Wales (AU)

(**) Term: **15 Years**

(21) Appl. No.: **29/699,093**

(22) Filed: **Jul. 23, 2019**

(30) **Foreign Application Priority Data**

Jan. 24, 2019 (AU) 201910384

(51) **LOC (13) Cl.** **07-03**

(52) **U.S. Cl.**
USPC **D7/401.2; D7/649**

(58) **Field of Classification Search**
USPC D7/393–395, 401, 401.2, 642–652, 693,
D7/695–696; D8/93, 97–100, 107, 300,
D8/321; D22/117–118
CPC A01B 1/20; A01B 1/22; A22C 25/006;
A47G 21/06; A47G 21/065; A61B
17/3211; A61B 17/3213; B21D 53/64;
B25G 3/36; B26B 1/00; B26B 1/02;
B26B 1/046; B26B 1/048; B26B 1/08;
B26B 1/10; B26B 3/00; B26B 3/02;
B26B 3/03; B26B 3/04; B26B 3/06;
B26B 5/00; B26B 5/001; B26B 5/007;
B26B 7/00; B26B 7/005; B26B 9/00;
B26B 9/02; B26B 11/00; B26B 11/006;
B26B 17/00; B26B 17/006; B26B 29/02

See application file for complete search history.

(56) **References Cited**

U.S. PATENT DOCUMENTS

D557,081	S	*	12/2007	Hadj-Chikh	D7/649
D632,934	S	*	2/2011	Thun	D7/649
D706,085	S	*	6/2014	Tarrerias	D7/649
D710,158	S	*	8/2014	Berger	D7/649
D809,339	S	*	2/2018	Lo	D7/401.2
D824,724	S	*	8/2018	Go	D7/401.2
D826,635	S	*	8/2018	Go	D7/401.2
D831,420	S	*	10/2018	Liu	D7/401.2
D838,135	S	*	1/2019	Liu	D7/401
D838,136	S	*	1/2019	Liu	D7/401.2
D838,545	S	*	1/2019	Liu	D7/401.2
D849,487	S	*	5/2019	Berger	D7/649
D853,187	S	*	7/2019	Berger	D7/401.2

* cited by examiner

Primary Examiner — Ricky Pham

(74) *Attorney, Agent, or Firm* — Wagenknecht IP Law
Group PC

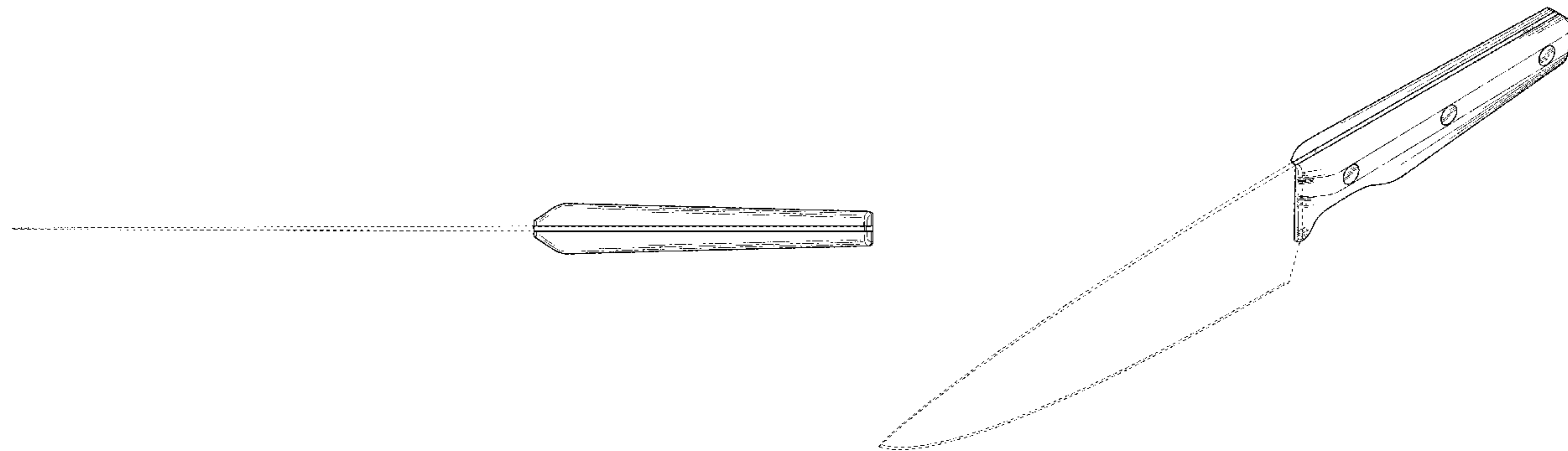
(57) **CLAIM**

The ornamental design for a knife handle, as shown and
described.

DESCRIPTION

FIG. 1 is a top plan view of a knife handle showing my new
design;
FIG. 2 is a bottom plan view thereof;
FIG. 3 is a right side elevational view thereof;
FIG. 4 is a left side elevational view thereof;
FIG. 5 is a rear elevational view thereof;
FIG. 6 is a front elevational view thereof;
FIG. 7 is a front, left and top perspective view thereof; and,
FIG. 8 is a rear, left, and top perspective view thereof.
The broken lines in the figures represent portions of the
article which form no part of the claimed design.

1 Claim, 5 Drawing Sheets



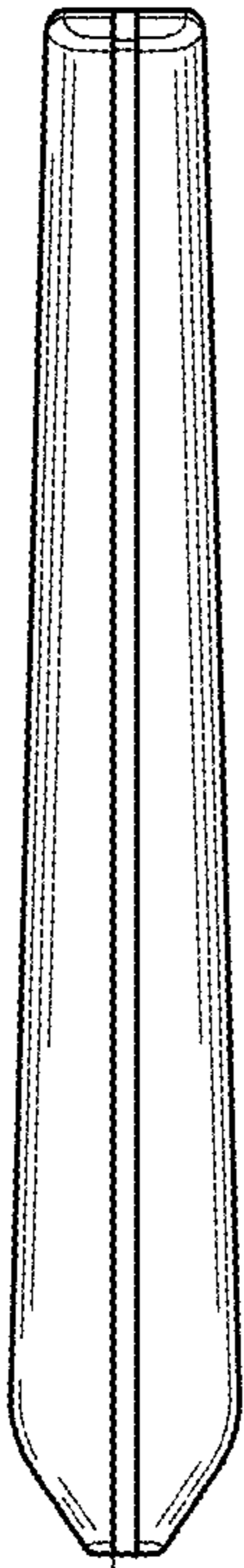


FIG. 1



FIG. 2

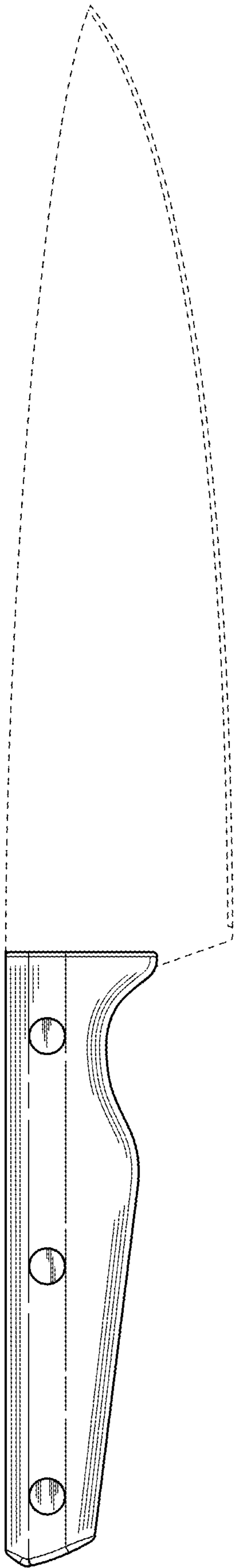


FIG. 3

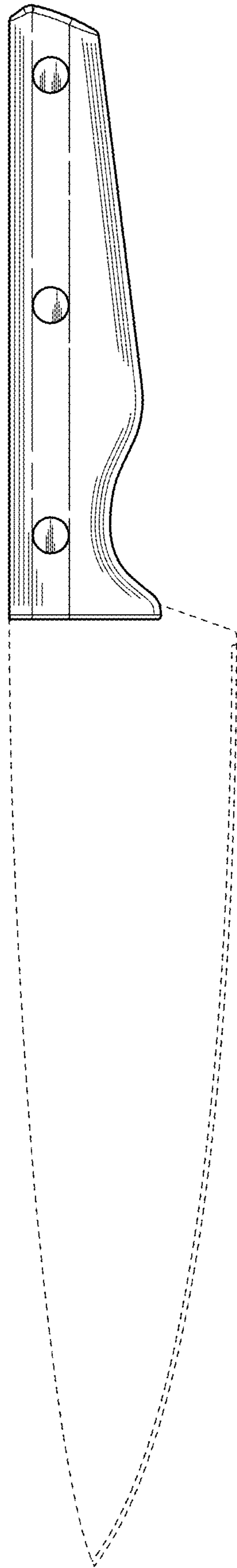


FIG. 4

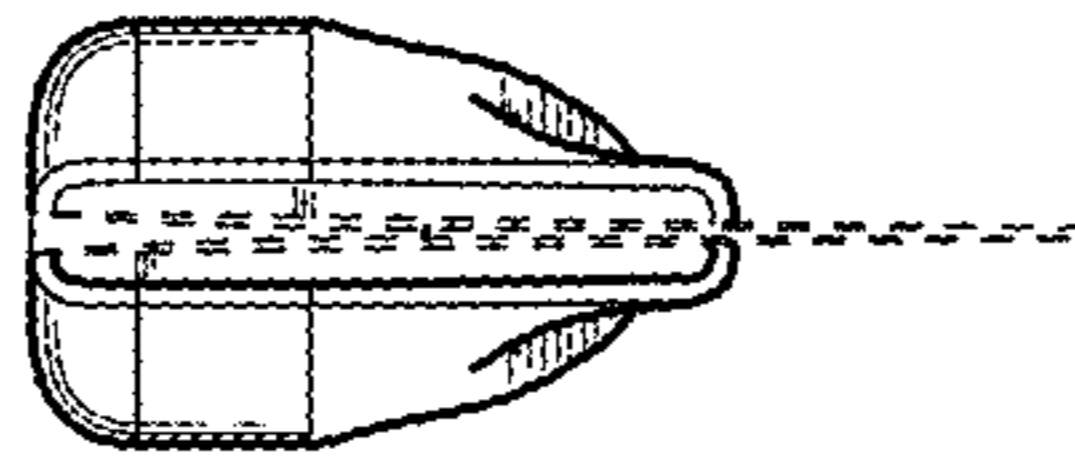


FIG. 6

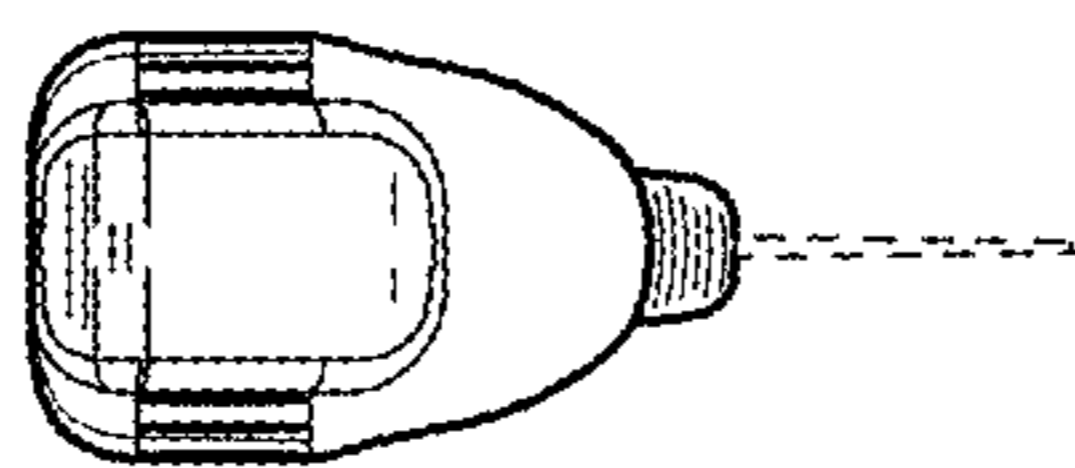


FIG. 5

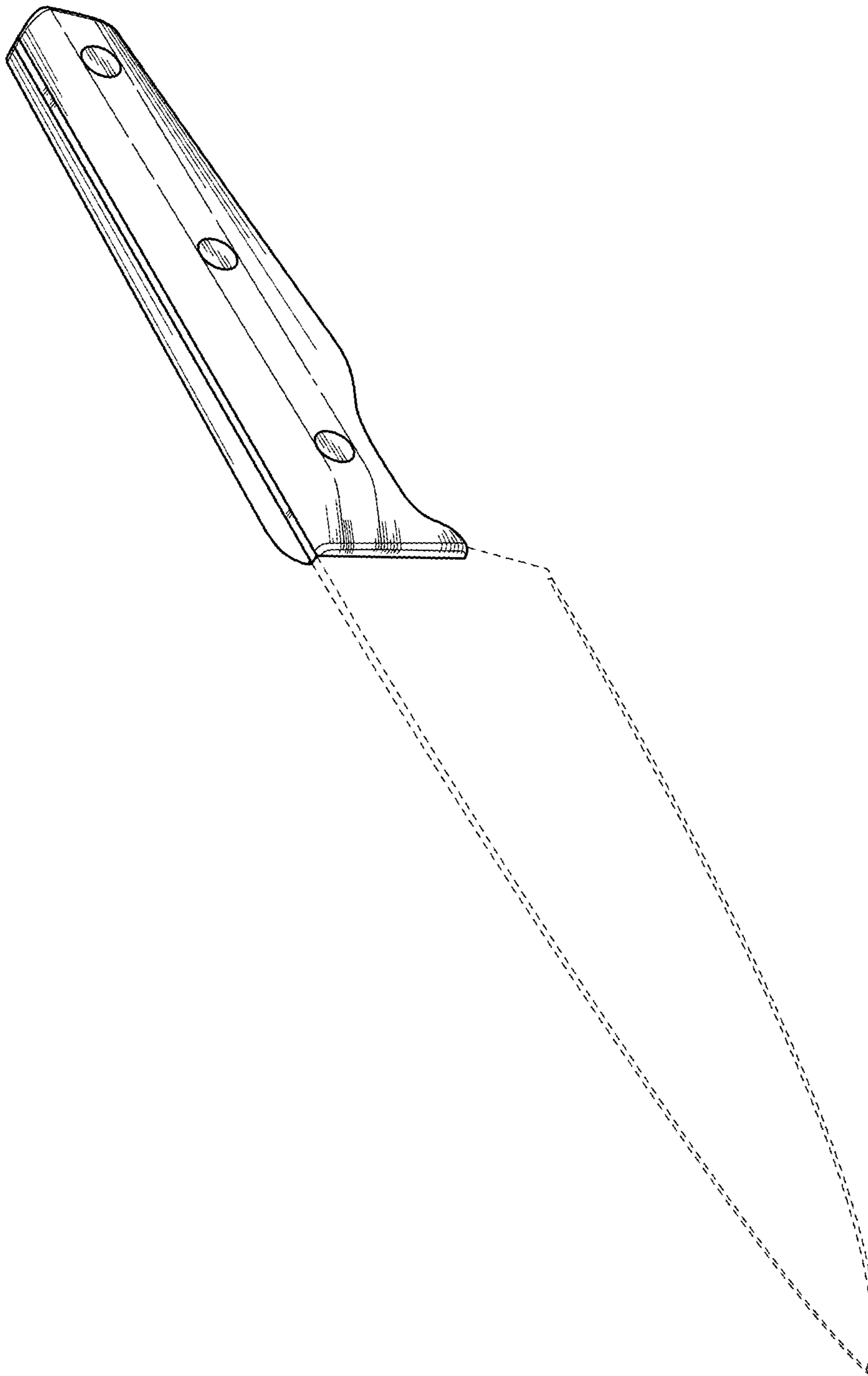


FIG. 7

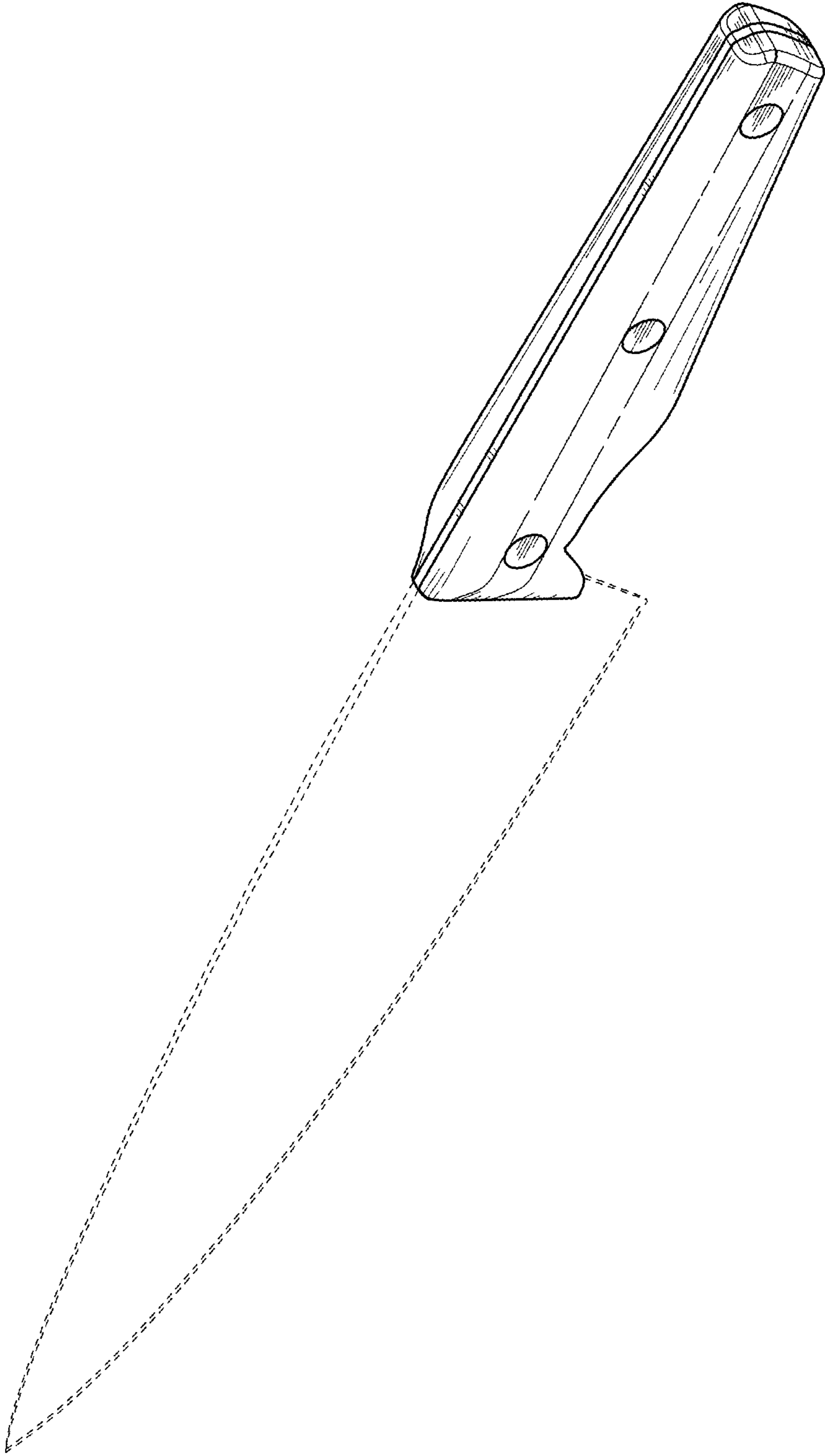


FIG. 8