



US00D927250S

(12) **United States Design Patent**
Kruger et al.

(10) **Patent No.:** **US D927,250 S**

(45) **Date of Patent:** **** Aug. 10, 2021**

(54) **REUSABLE FILTER CARTRIDGE**

(71) Applicant: **Eko Brands, LLC**, Woodinville, WA (US)

(72) Inventors: **Fritz Kruger**, Clyde Hill, WA (US);
Jennifer Lemmer, Seattle, WA (US);
Tracie Luthi, Seattle, WA (US)

(73) Assignee: **Eko Brands, LLC**, Woodinville, WA (US)

(**) Term: **15 Years**

(21) Appl. No.: **29/728,997**

(22) Filed: **Mar. 23, 2020**

(51) **LOC (13) Cl.** **07-99**

(52) **U.S. Cl.**

USPC **D7/400**

(58) **Field of Classification Search**

USPC D23/209, 261; D15/5; D7/397, 399,
D7/400, 667; D9/428, 439, 440

CPC B65D 85/8046; B65D 85/8043; B65D
85/804; A47J 31/0673; A47J 31/06; A47J
31/4403

See application file for complete search history.

(56) **References Cited**

U.S. PATENT DOCUMENTS

481,547 A	8/1892	Boice
747,290 A	12/1903	Yantis
846,473 A	3/1907	Holman
865,776 A	9/1907	Georg
1,134,661 A	4/1915	Allmayer
2,433,815 A	12/1947	LaForge
2,464,722 A	3/1949	Sacker
2,570,997 A	10/1951	Willman
3,022,411 A	2/1962	Soper et al.
3,115,822 A	12/1963	Totten

(Continued)

FOREIGN PATENT DOCUMENTS

CA 2 661 921 A1 3/2008
DE 41 35 660 A1 5/1992

(Continued)

OTHER PUBLICATIONS

Ekobrew 20 kcup, Nov. 10, 2018. influenster.com, Apr. 22, 2021.
URL: <https://www.influenster.com/reviews/ekobrew-20-k-cup-reusable-coffee-filter-orange-reusable-filter> (Year: 2018).*

(Continued)

Primary Examiner — Jack Reickel

Assistant Examiner — Keith J Wilson

(74) *Attorney, Agent, or Firm* — Lowe Graham Jones PLLC

(57) **CLAIM**

We claim the ornamental design for a reusable filter cartridge, as shown and described.

DESCRIPTION

FIG. 1 is a top perspective view of a reusable filter cartridge according to our new design.

FIG. 2 is a bottom perspective view of the reusable filter cartridge.

FIG. 3 is a front view of the reusable filter cartridge.

FIG. 4 is a rear view of the reusable filter cartridge.

FIG. 5 is a left view of the reusable filter cartridge.

FIG. 6 is a right view of the reusable filter cartridge.

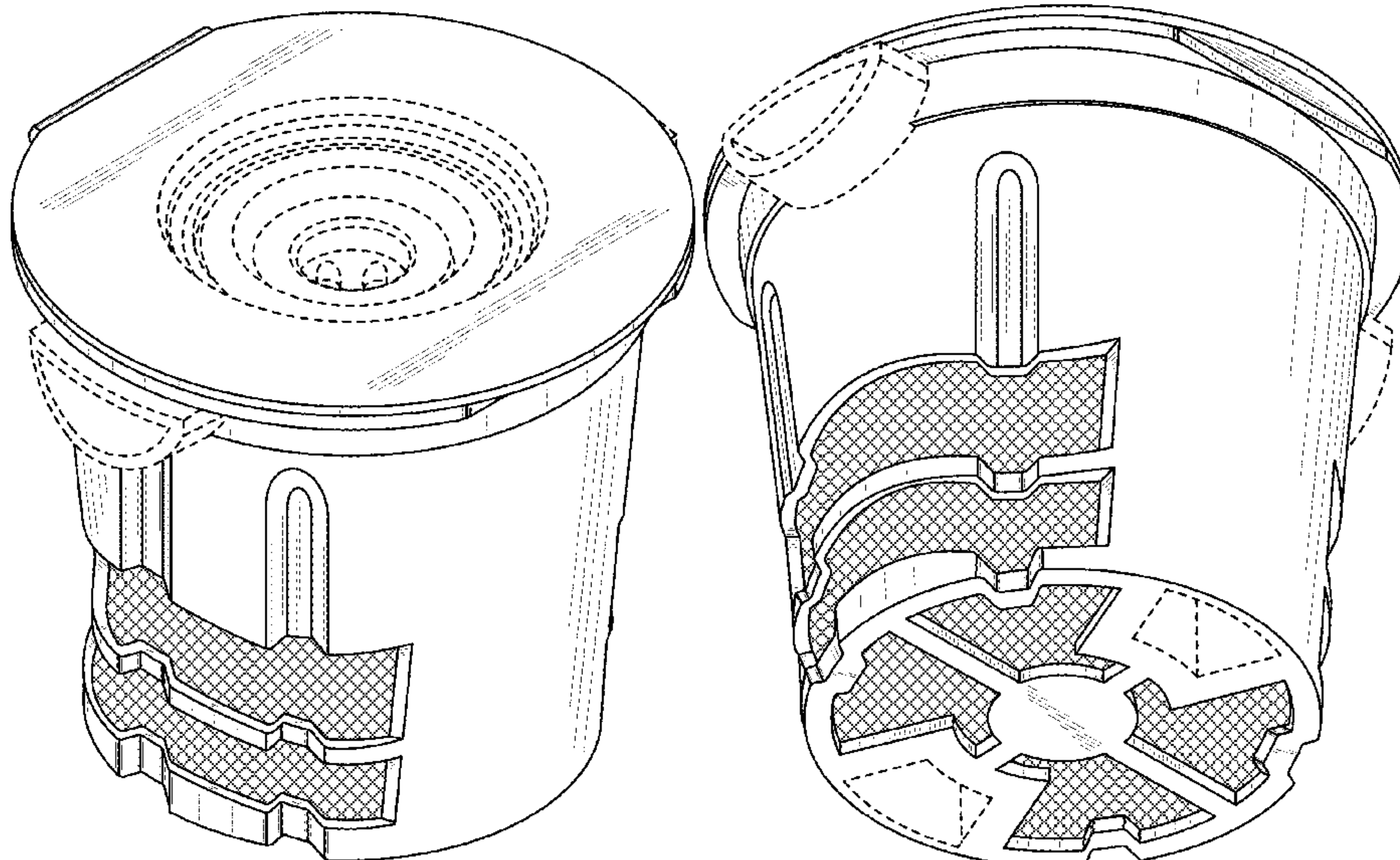
FIG. 7 is a top view of the reusable filter cartridge; and,

FIG. 8 is a bottom view of the reusable filter cartridge.

The surface shading is for purposes of illustrating the character and/or contour of the surfaces of the claimed invention and forms no part of the claimed design.

The broken line showing of a reusable filter cartridge is included for the purpose of illustrating portions of the article and forms no part of the claimed design.

1 Claim, 8 Drawing Sheets



(56)

References Cited

U.S. PATENT DOCUMENTS

3,120,170	A	2/1964	Garte	5,490,448	A	2/1996	Weller et al.
3,136,241	A	6/1964	Price	5,526,733	A	6/1996	Klawuhn et al.
3,199,682	A	8/1965	Scholtz	5,531,152	A	7/1996	Gardosi
3,224,360	A	12/1965	Wickenberg et al.	5,562,941	A	10/1996	Levy
3,316,388	A	4/1967	Wickenberg et al.	5,582,730	A	12/1996	Hugentobler
3,336,857	A	8/1967	Knodt et al.	5,582,731	A	12/1996	Gianfranco
3,384,004	A	5/1968	Perlman et al.	5,635,233	A	6/1997	Levinson
3,403,617	A	10/1968	Lampe	5,636,563	A	6/1997	Oppermann et al.
3,405,630	A	10/1968	Weber, III	5,637,335	A	6/1997	Fond
3,583,308	A	6/1971	Williams	5,638,741	A	6/1997	Cisaria
3,592,126	A	7/1971	Dombrowik	5,669,287	A	9/1997	Jefferson, Jr. et al.
3,607,297	A	9/1971	Fasano	5,676,041	A	10/1997	Glucksman et al.
3,695,168	A	10/1972	Van Brunt	5,738,786	A	4/1998	Winnington-Ingram
3,757,670	A	9/1973	Laama et al.	5,775,206	A	7/1998	St-Gelais
3,844,206	A	10/1974	Weber	5,829,340	A	11/1998	Yang
3,878,772	A	4/1975	Nordskog	5,840,189	A	11/1998	Sylvan et al.
3,948,157	A	4/1976	Layre	5,853,581	A	12/1998	Rayborn
3,952,642	A	4/1976	Vitous	5,865,094	A	2/1999	Kealy
3,958,502	A	5/1976	Vitous	5,870,943	A	2/1999	Levi et al.
4,052,318	A	10/1977	Krebs	5,887,510	A	3/1999	Porter
4,056,050	A	11/1977	Brown	D407,602	S	4/1999	Patel
4,080,299	A	3/1978	Bartolome	5,897,899	A	4/1999	Fond
4,086,848	A	5/1978	Hahn	5,902,620	A	5/1999	Nolan
4,143,590	A	3/1979	Kasakoff	5,910,205	A	6/1999	Patel
4,164,644	A	8/1979	Remsnyder et al.	5,924,563	A	7/1999	Salyers
D255,313	S	6/1980	Elkerbout	5,932,260	A	8/1999	Soughan
4,221,670	A	9/1980	Ziemek	5,988,190	A	11/1999	Borges
4,253,385	A	3/1981	Illy	6,026,733	A	2/2000	Orrico
4,254,694	A	3/1981	Illy	6,053,482	A	4/2000	Glenn et al.
4,286,515	A	9/1981	Baumann et al.	6,065,609	A	5/2000	Lake
4,374,026	A	2/1983	Greutert	6,079,315	A	6/2000	Beaulieu
4,429,623	A	2/1984	Illy	D431,423	S	10/2000	Ohm et al.
4,510,853	A	4/1985	Takagi	6,136,352	A	10/2000	Silverstein et al.
4,550,024	A	10/1985	le Granse	6,189,438	B1	2/2001	Bielfeldt et al.
4,603,621	A	8/1986	Roberts	6,192,786	B1	2/2001	Gasser
4,703,687	A	11/1987	Wei	6,202,541	B1	3/2001	Cai
4,704,954	A	11/1987	Mollenhoff	RE37,173	E	5/2001	Jefferson, Jr. et al.
4,706,555	A	11/1987	Nakamura et al.	6,227,102	B1	5/2001	Sham et al.
4,721,835	A	1/1988	Welker	6,231,909	B1	5/2001	Levinson
4,739,697	A	4/1988	Roberts	6,244,162	B1	6/2001	Dahmen
4,832,845	A	5/1989	Hendretti	6,250,209	B1	6/2001	Pope
4,833,979	A	5/1989	Garulli et al.	6,253,662	B1	7/2001	Zelson
4,858,523	A	8/1989	Helbling	6,260,476	B1	7/2001	Pope
4,865,737	A	9/1989	McMichael	6,263,781	B1	7/2001	Calagui
4,882,055	A	11/1989	Stamstad	6,298,770	B1	10/2001	Blankenship
4,921,712	A	5/1990	Malmquist	D454,433	S	3/2002	Peter
4,967,648	A	11/1990	Helbling	D454,434	S	3/2002	McDaniel et al.
4,986,172	A	1/1991	Hunnicuttt, Jr.	6,440,256	B1	8/2002	Gordon et al.
4,998,463	A	3/1991	Precht et al.	6,453,800	B1	9/2002	Chen
5,000,082	A	3/1991	Lassota	D474,110	S	5/2003	Sweeney
5,012,059	A	4/1991	Boatman	D474,111	S	5/2003	Lazaris
5,028,328	A	7/1991	Long	6,589,577	B2	7/2003	Lazaris et al.
5,046,409	A	9/1991	Henn	6,606,938	B2	8/2003	Taylor
5,072,660	A	12/1991	Helbling	6,607,762	B2	8/2003	Lazaris et al.
5,123,335	A	6/1992	Aselu	6,645,537	B2	11/2003	Sweeney
5,190,653	A	3/1993	Herrick et al.	6,655,260	B2	12/2003	Lazaris et al.
5,197,374	A	3/1993	Fond	6,658,989	B2	12/2003	Sweeney
5,233,914	A	8/1993	English	6,662,955	B1	12/2003	Lassota
5,242,702	A	9/1993	Fond	6,708,600	B2	3/2004	Winkler et al.
D340,382	S	10/1993	Bannigan	6,727,484	B2	4/2004	Policappelli
5,265,517	A	11/1993	Gilbert	6,740,345	B2	5/2004	Cai
5,266,194	A	11/1993	Chiodo	6,758,130	B2	7/2004	Sargent et al.
5,287,797	A	2/1994	Grykiewicz et al.	6,763,759	B2	7/2004	Denisart
5,325,765	A	7/1994	Sylvan	6,786,136	B2	9/2004	Cirigliano et al.
D349,211	S	8/1994	Cerato	6,832,542	B2	12/2004	Hu et al.
5,335,589	A	8/1994	Yerves, Jr. et al.	6,843,165	B2	1/2005	Stoner
5,343,799	A	9/1994	Fond	D502,362	S	3/2005	Lazaris et al.
5,347,916	A	9/1994	Fond et al.	6,880,454	B2	4/2005	Kollep
5,363,745	A	11/1994	Lin	6,904,840	B1	6/2005	Pfeifer et al.
5,398,596	A	3/1995	Fond	6,912,949	B2	7/2005	Brizio
5,401,328	A	3/1995	Schmitz	6,948,420	B2	9/2005	Kirschner et al.
5,403,605	A	4/1995	Smith et al.	6,960,295	B2	11/2005	Chaouachi
5,406,882	A	4/1995	Shaanan	6,968,775	B2	11/2005	Burrows et al.
5,463,932	A	11/1995	Olson	7,047,870	B2	5/2006	Gantt et al.
5,472,719	A	12/1995	Favre	7,081,263	B2	7/2006	Albrecht
				7,131,369	B2	11/2006	Gantt et al.
				7,150,219	B2	12/2006	De'Longhi
				7,219,800	B2	5/2007	Haven
				7,231,870	B2	6/2007	Lowe

(56)

References Cited

U.S. PATENT DOCUMENTS

D560,097 S 1/2008 Shen
 7,320,274 B2 1/2008 Castellani
 D567,021 S * 4/2008 Bach D7/387
 7,464,837 B2 12/2008 Lin
 7,543,527 B2 6/2009 Schmed
 D598,706 S 8/2009 Neace et al.
 7,594,470 B2 9/2009 Scarchilli
 D606,363 S 12/2009 Aardenburg
 7,685,931 B2 3/2010 Rivera
 7,730,829 B2 6/2010 Hammad
 7,815,953 B2 10/2010 Mastropasqua et al.
 7,836,820 B2 11/2010 Hammad
 7,845,270 B2 12/2010 Rahn
 7,870,821 B2 1/2011 Kwon
 7,891,286 B2 2/2011 Scarchilli
 7,946,217 B2 5/2011 Favre et al.
 8,033,212 B2 10/2011 Liu
 8,047,127 B2 11/2011 Lin
 D652,266 S 1/2012 Smyers
 8,087,347 B2 1/2012 Halliday et al.
 8,147,887 B2 4/2012 Dogan et al.
 8,291,812 B2 10/2012 Rivera
 D677,120 S 3/2013 DeMiglio et al.
 8,418,602 B2 4/2013 Magg
 D688,095 S 8/2013 DeMiglio et al.
 8,561,524 B2 * 10/2013 DeMiglio A47J 31/0689
 99/300
 D694,579 S * 12/2013 Khubani D7/400
 8,621,981 B2 1/2014 Rivera
 D698,649 S * 2/2014 Quint D9/500
 8,707,855 B2 4/2014 DeMiglio et al.
 8,720,320 B1 5/2014 Rivera
 8,794,125 B1 8/2014 Rivera
 D715,649 S * 10/2014 O'Brien D9/500
 D721,536 S * 1/2015 Advani D7/400
 D723,868 S * 3/2015 Hertaus D7/400
 8,967,038 B2 3/2015 Rivera
 9,113,747 B2 8/2015 Rivera
 9,179,797 B2 11/2015 Rivera
 9,232,871 B2 1/2016 Rivera
 9,232,872 B2 1/2016 Rivera
 9,242,790 B2 1/2016 Rivera
 9,271,597 B2 3/2016 Rivera
 D767,331 S * 9/2016 Burrows D7/400
 D771,434 S * 11/2016 Burrows D7/400
 D771,435 S * 11/2016 Cutuli D7/400
 D797,503 S * 9/2017 Robotti D7/400
 10,154,751 B2 12/2018 DeMiglio et al.
 D852,589 S * 7/2019 Bertsch D7/629
 D860,724 S * 9/2019 Kassin D7/400
 D889,907 S * 7/2020 Braukmann D7/400
 2001/0032822 A1 10/2001 Koslow
 2001/0043954 A1 11/2001 Sweet
 2002/0005367 A1 1/2002 Zelson
 2002/0023543 A1 2/2002 Schmed
 2002/0035929 A1 3/2002 Kanba et al.
 2002/0048621 A1 4/2002 Boyd et al.
 2002/0059870 A1 5/2002 Walters, Jr. et al.
 2002/0078831 A1 6/2002 Cai
 2002/0148356 A1 10/2002 Lazaris et al.
 2002/0148358 A1 10/2002 Sweeney et al.
 2003/0000887 A1 1/2003 Zaske
 2003/0006185 A1 1/2003 Hepler
 2003/0041739 A1 3/2003 Cai
 2003/0167928 A1 9/2003 Mulle et al.
 2003/0200872 A1 10/2003 Lin
 2003/0209151 A1 11/2003 Mordini
 2003/0213370 A1 11/2003 Hammad et al.
 2003/0222089 A1 12/2003 Hale
 2003/0226449 A1 12/2003 Carasso
 2004/0020368 A1 2/2004 Cai
 2004/0020922 A1 2/2004 Alves
 2004/0094039 A1 5/2004 Brizio
 2004/0118290 A1 6/2004 Cai
 2004/0182247 A1 9/2004 Guerrero

2004/0188459 A1 9/2004 Halliday
 2004/0208245 A1 10/2004 Halliday
 2004/0211322 A1 10/2004 Halliday
 2004/0244600 A1 12/2004 Lalanne-Eygun
 2005/0005775 A1 1/2005 Chen
 2005/0051478 A1 3/2005 Karanikos et al.
 2005/0160918 A1 7/2005 Winstanley et al.
 2005/0160919 A1 7/2005 Balkau
 2005/0166763 A1 8/2005 Scarchilli et al.
 2005/0172819 A1 8/2005 Chen et al.
 2005/0236323 A1 10/2005 Oliver
 2005/0257695 A1 11/2005 Dobranski et al.
 2005/0266122 A1 12/2005 Franceschi
 2005/0284303 A1 12/2005 Zell et al.
 2006/0019000 A1 1/2006 Zanetti
 2006/0107841 A1 5/2006 Schifferle
 2006/0159815 A1 7/2006 Crook et al.
 2006/0174769 A1 8/2006 Favre et al.
 2006/0180030 A1 8/2006 Bates et al.
 2006/0196364 A1 9/2006 Kirschner
 2006/0236871 A1 10/2006 Ternite et al.
 2006/0254428 A1 11/2006 Glucksman
 2007/0039477 A1 2/2007 Bowden
 2007/0157821 A1 7/2007 Panesar et al.
 2007/0175334 A1 8/2007 Halliday et al.
 2007/0186784 A1 8/2007 Liverani et al.
 2007/0221069 A1 9/2007 Rahn
 2007/0259074 A1 11/2007 Scarchilli et al.
 2007/0277677 A1 12/2007 Roberg
 2008/0196593 A1 8/2008 Shrader
 2008/0216667 A1 9/2008 Garman
 2009/0007793 A1 1/2009 Glucksman et al.
 2009/0007796 A1 1/2009 Ricotti
 2009/0117239 A1 5/2009 Bunn
 2009/0229471 A1 9/2009 Lun et al.
 2009/0241344 A1 10/2009 Mastroianni
 2009/0266238 A1 10/2009 Mastropasqua et al.
 2010/0083843 A1 4/2010 Denisart
 2010/0107889 A1 5/2010 Denisart
 2010/0154651 A1 6/2010 Skalski
 2010/0176037 A1 7/2010 Namespetra
 2010/0178391 A1 7/2010 MacMahon
 2010/0178392 A1 7/2010 Yoakim
 2010/0178404 A1 7/2010 Yoakim
 2010/0203208 A1 8/2010 Yoakim
 2010/0212509 A1 8/2010 Tien
 2010/0224078 A1 9/2010 Khalifa
 2010/0239734 A1 9/2010 Yoakim
 2010/0242740 A1 9/2010 Shen Ku
 2010/0263548 A1 10/2010 Kokatsu
 2010/0288131 A1 11/2010 Kilber et al.
 2010/0303964 A1 12/2010 Beaulieu et al.
 2011/0100229 A1 5/2011 Rivera
 2011/0209623 A1 9/2011 Leung et al.
 2011/0274802 A1 11/2011 Rivera
 2012/0207895 A1 8/2012 Rivera
 2012/0207896 A1 8/2012 Rivera
 2012/0225175 A1 9/2012 Lown
 2012/0276264 A1 11/2012 Rivera
 2012/0285330 A1 11/2012 Demiglio
 2012/0285334 A1 11/2012 DeMiglio
 2013/0017303 A1 1/2013 Vu
 2013/0025466 A1 1/2013 Fu et al.
 2013/0055904 A1 3/2013 DeMiglio et al.
 2013/0139699 A1 6/2013 Rivera
 2013/0156897 A1 6/2013 Goldstein
 2013/0224343 A1 8/2013 Tremblay
 2013/0340626 A1 12/2013 Oh
 2014/0245895 A1 9/2014 DeMiglio et al.
 2014/0272048 A1 9/2014 Hristov et al.
 2014/0287105 A1 9/2014 Husband et al.

FOREIGN PATENT DOCUMENTS

DE 202 18 335 U1 2/2003
 EP 1 774 879 A1 4/2007
 EP 1 663 813 B1 4/2014

(56)

References Cited

FOREIGN PATENT DOCUMENTS

GB 865199 A 4/1961
WO 2005/092160 A1 10/2005

OTHER PUBLICATIONS

Eco-Flow2 Perfect pod, Oct. 25, 2018. amazon.com, Apr. 22, 2021. URL: <https://www.amazon.com/Eco-Flow-2-0-by-Perfect-Pod/dp/B07JPJKDD> (Year: 2018).*

Solofill Cup K3. (Oct. 15, 2010). Retrieved from <https://www.officedepot.com/a/products/579044/Solofill-Cup-K3-Chrome-Refillable-Filter/>.

International Search Report and Written Opinion of the International Searching Authority completed Aug. 31, 2016, in International Patent Application No. PCT/US16/38791, 6 pages.

Bell, J., "The POD Rush Is on in Italy," Tea & Coffee Trade Journal 171(3):18, Mar. 1999.

Terracin, S.S., "Espresso Pods," Tea & Coffee Trade Journal 172(9):39, Sep. 2000.

Office Action dated Feb. 14, 2013, issued in corresponding U.S. Appl. No. 13/666,693, 13 pages.

Final Office Action dated May 14, 2013, issued in corresponding U.S. Appl. No. 13/666,693, 16 pages.

* cited by examiner

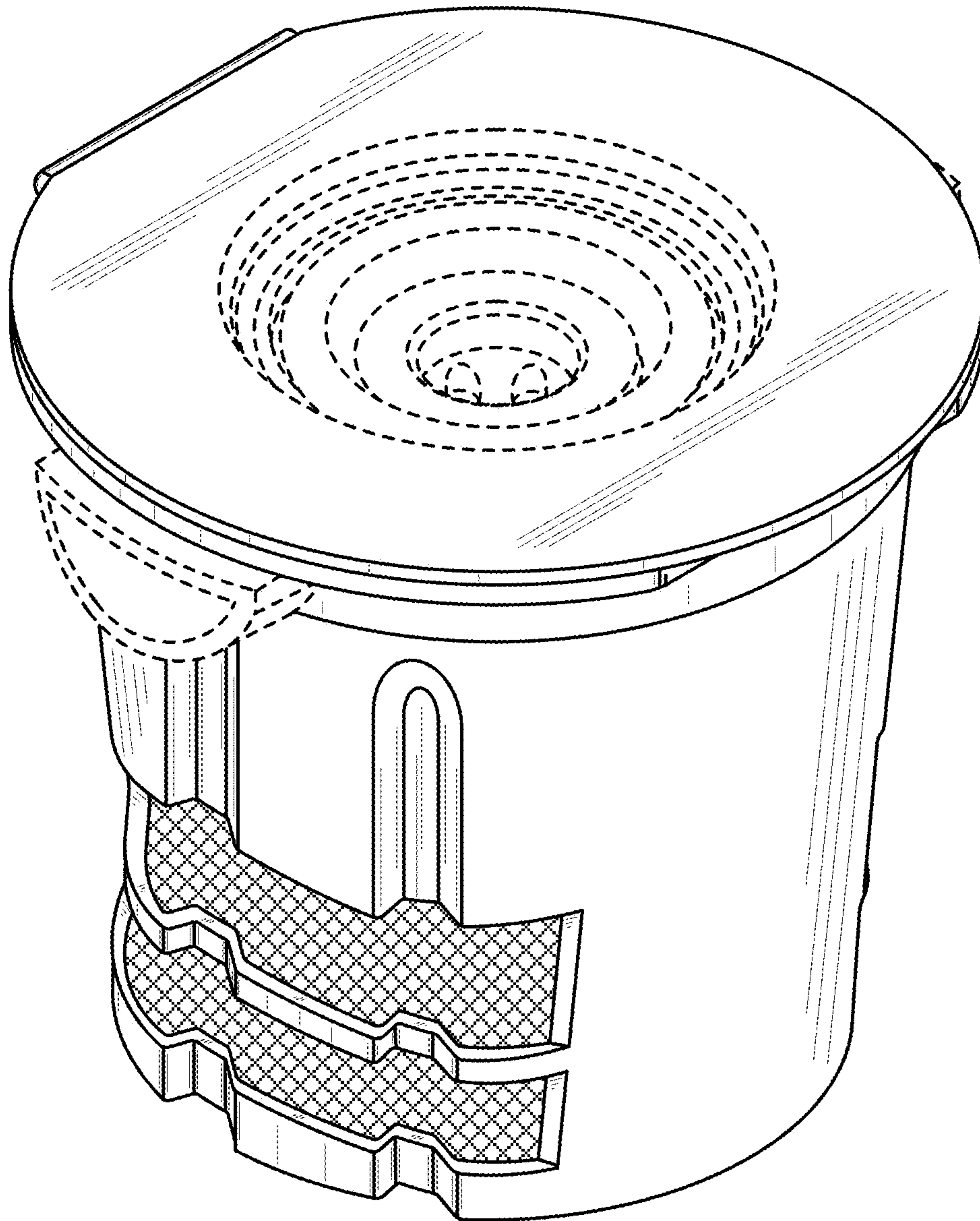


FIG. 1

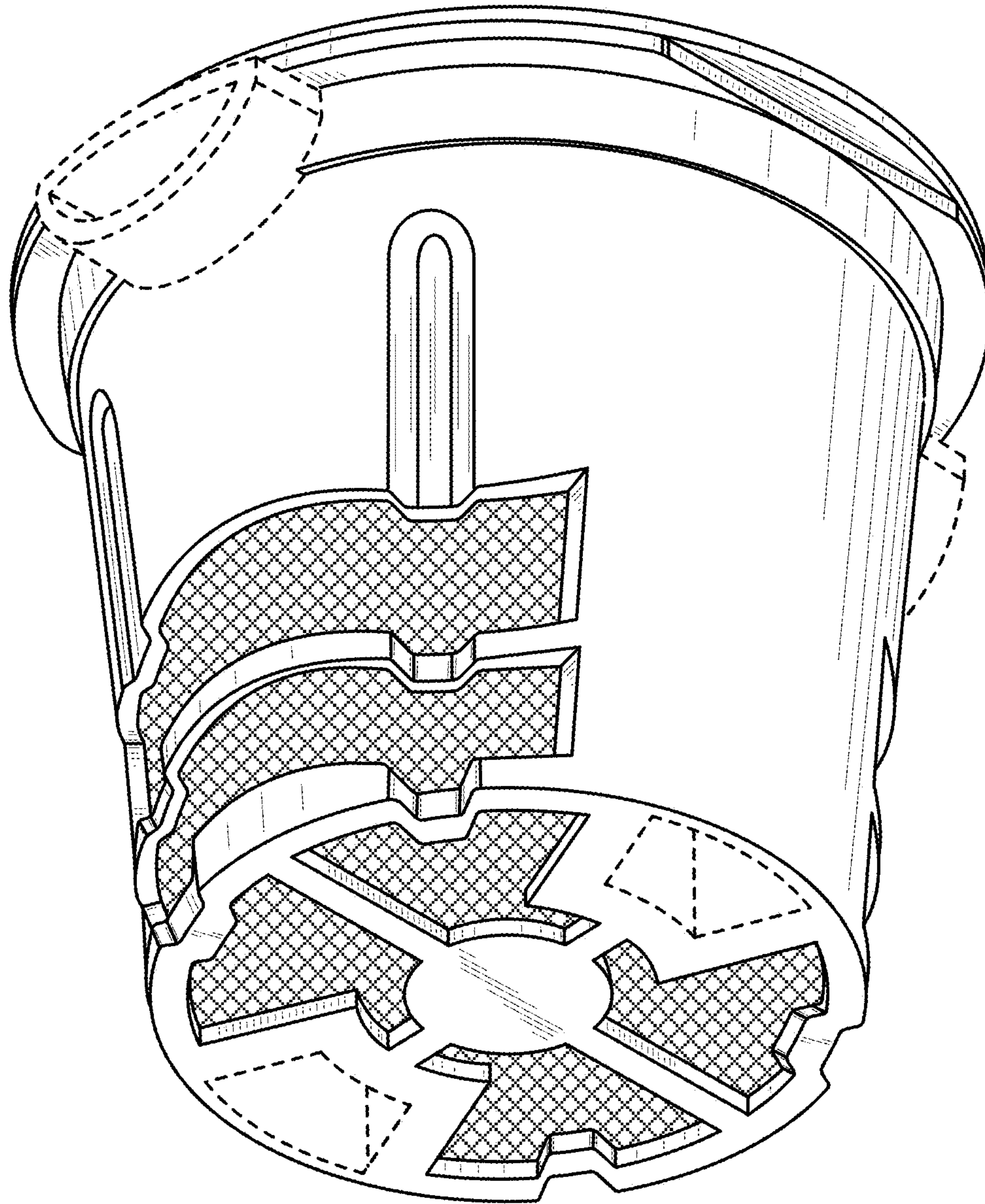


FIG. 2

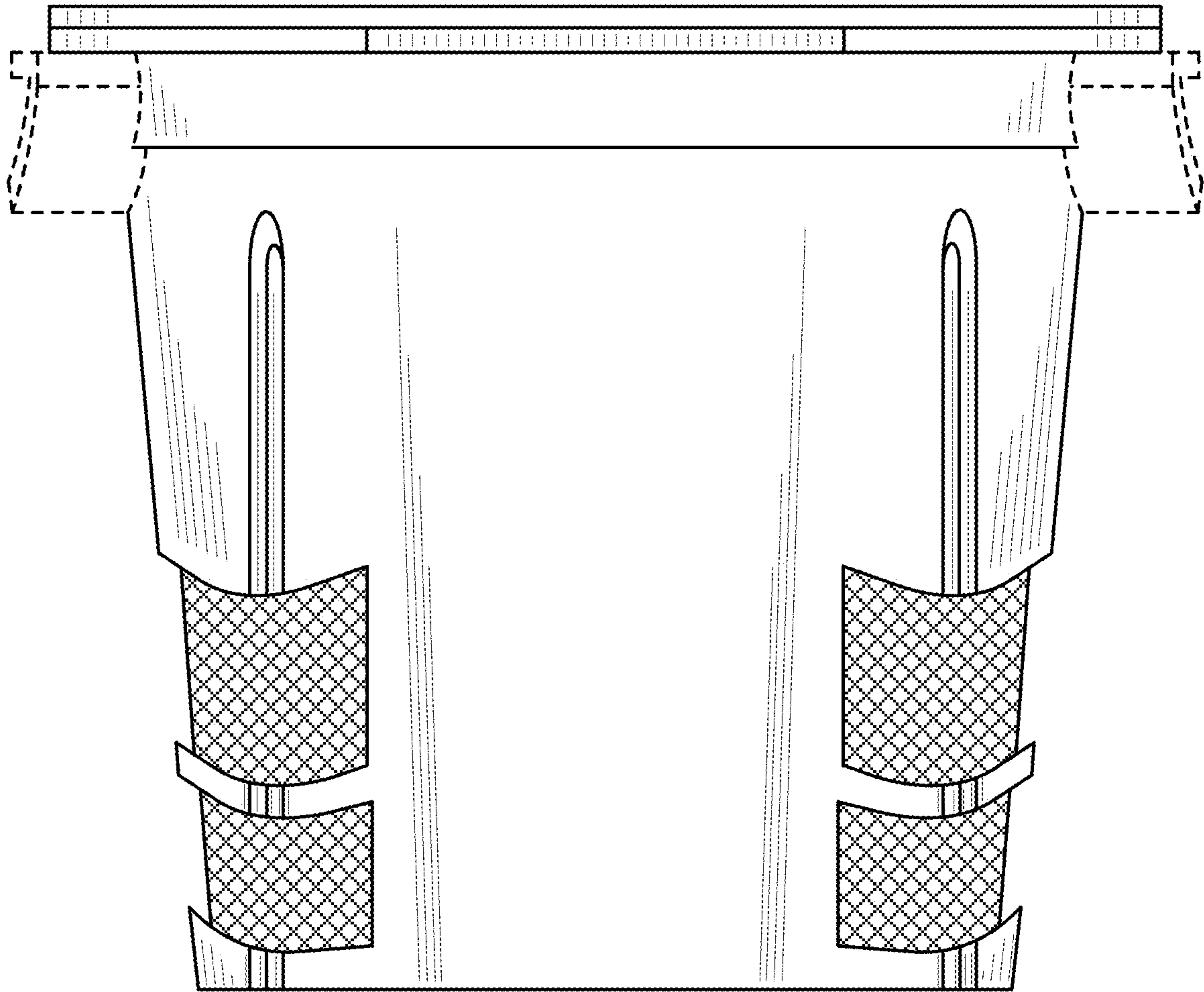


FIG. 3

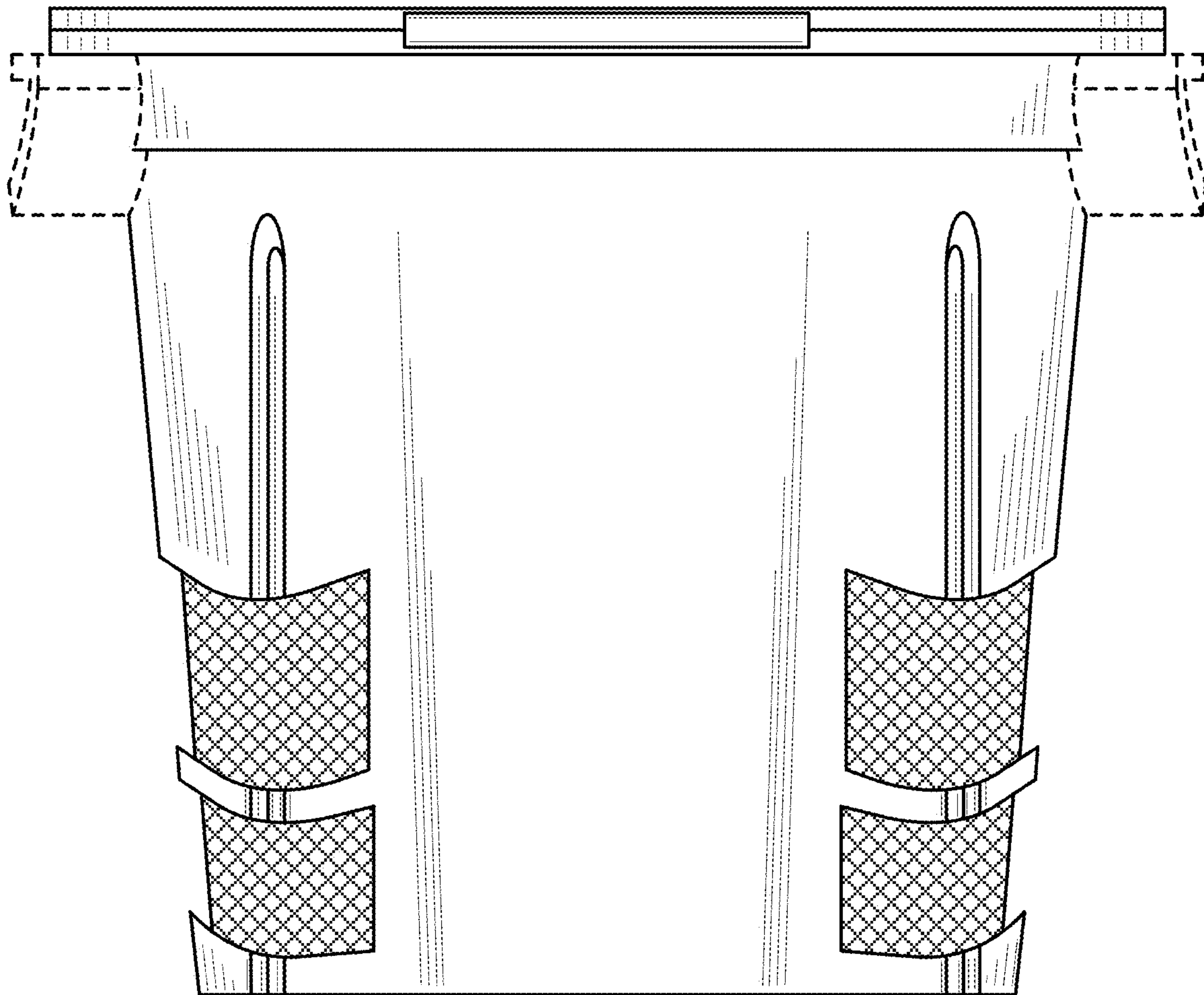


FIG. 4

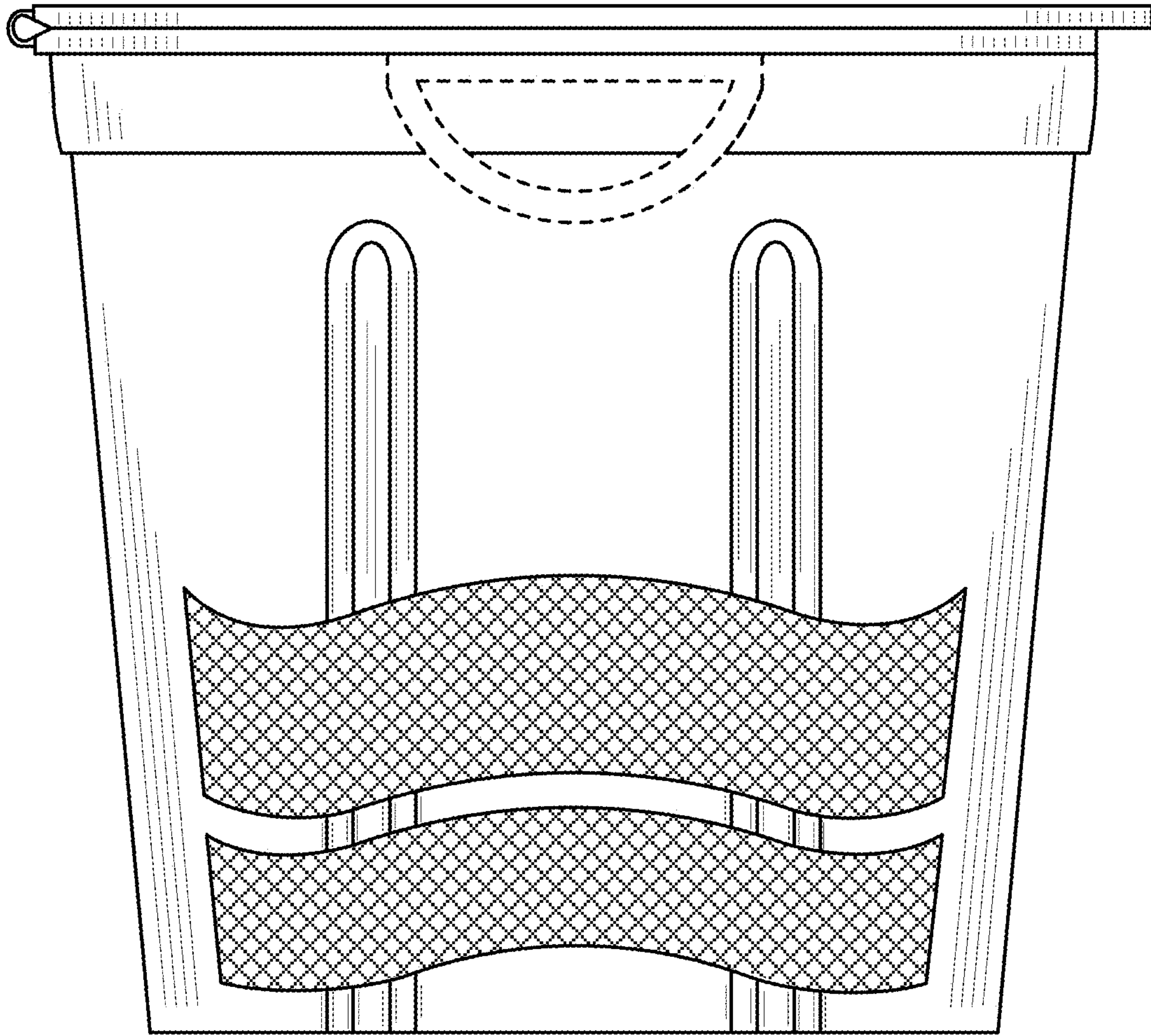


FIG. 5

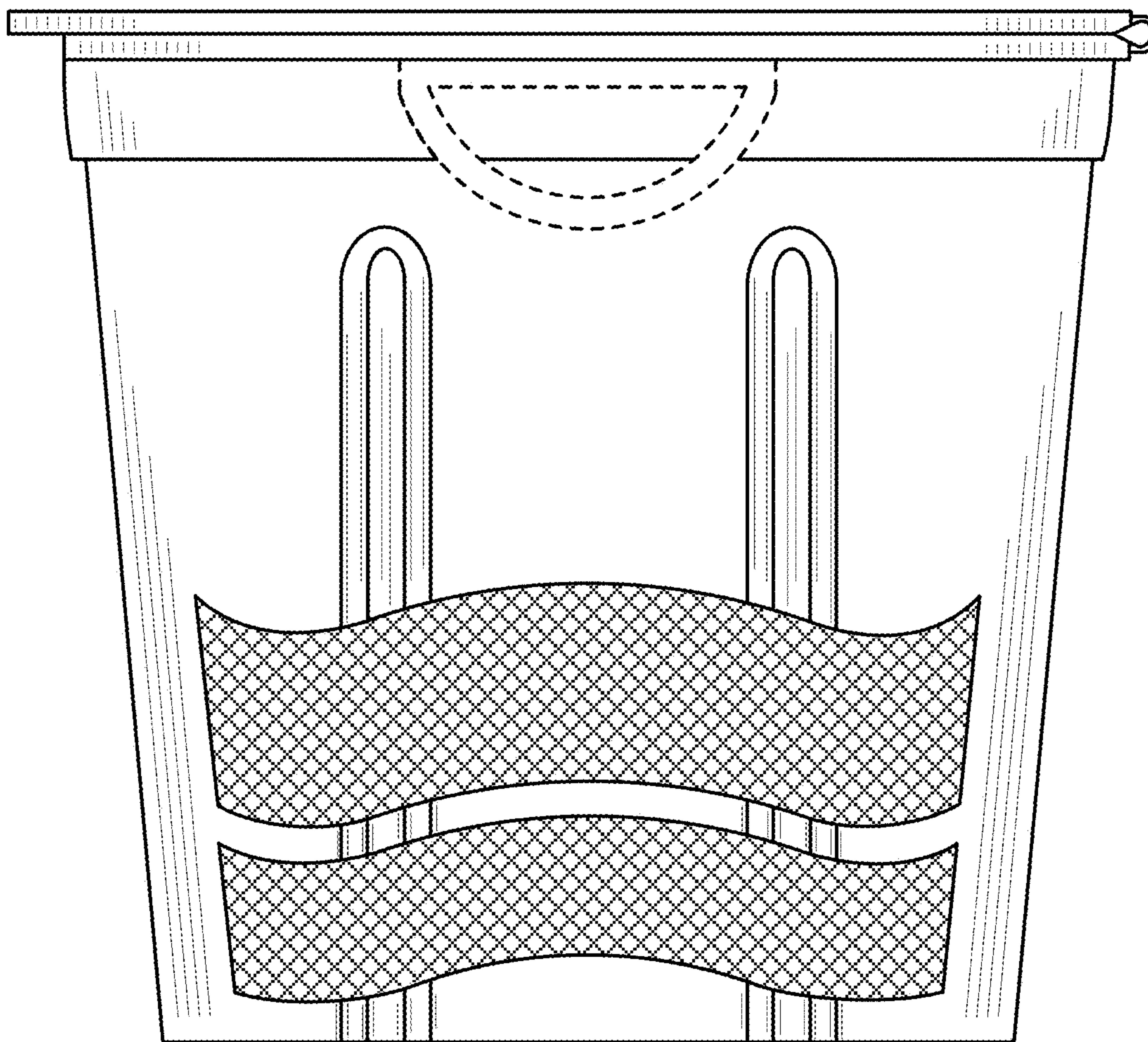


FIG. 6

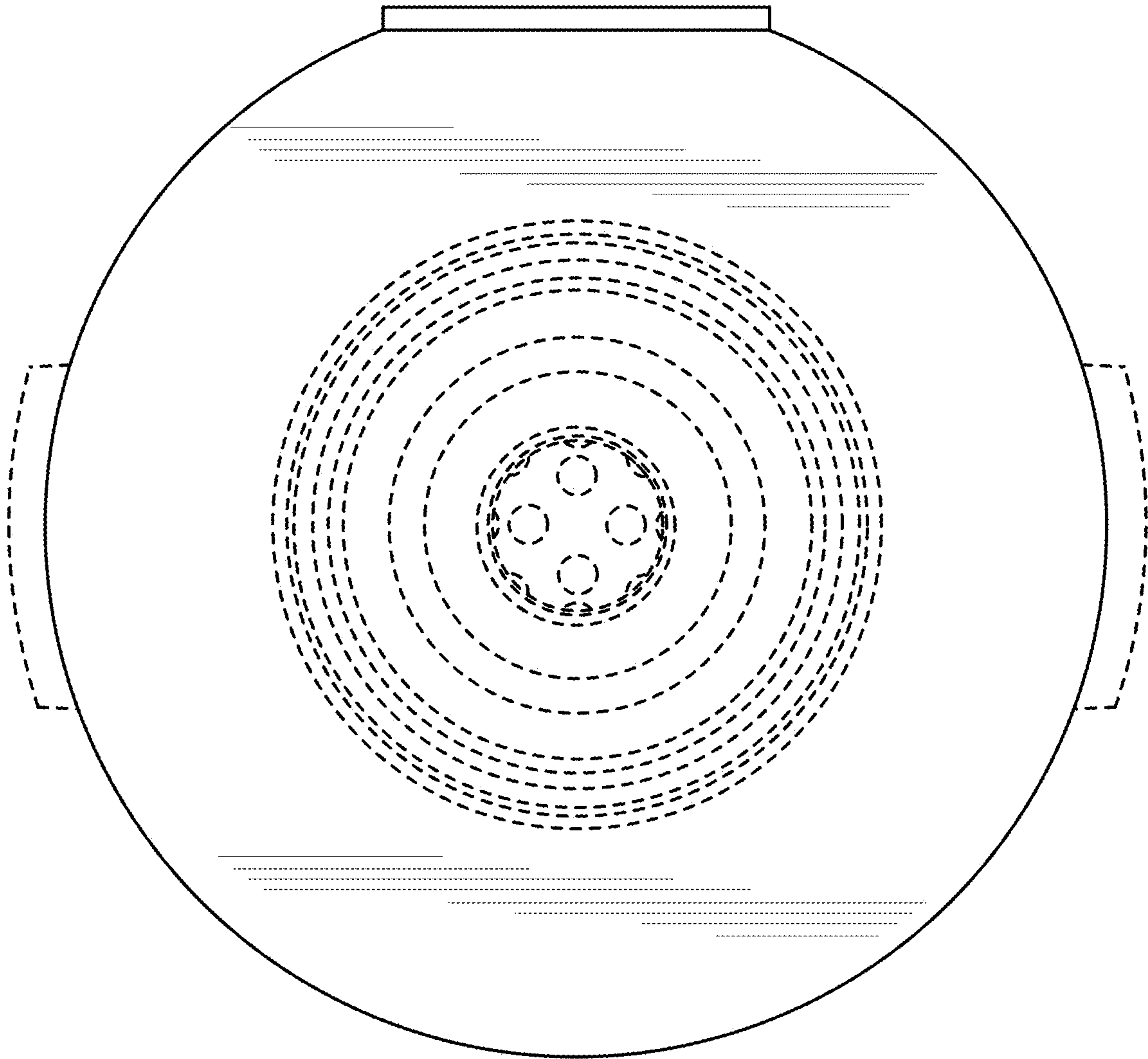


FIG. 7

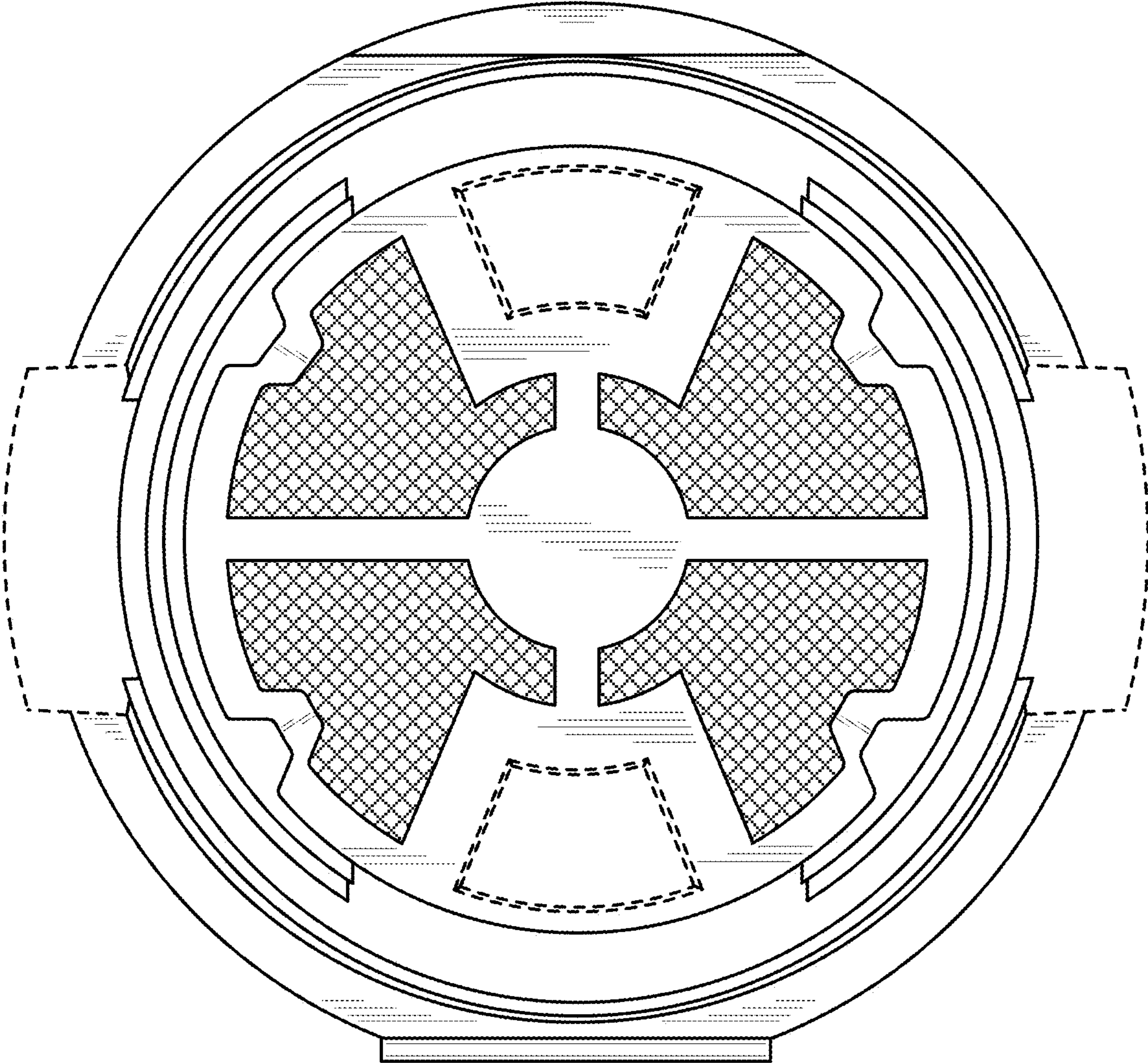


FIG. 8