



US00D927248S

(12) **United States Design Patent** (10) **Patent No.:** **US D927,248 S**  
**Meyers et al.** (45) **Date of Patent:** **\*\* Aug. 10, 2021**

(54) **LID FOR CONTAINER**  
(71) Applicant: **RUNWAY BLUE, LLC**, Alpine, UT (US)  
(72) Inventors: **David O. Meyers**, Layton, UT (US); **John R. Omdahl, II**, Lindon, UT (US)  
(73) Assignee: **Runway Blue, LLC**, Alpine, UT (US)  
(\*\*) Term: **15 Years**  
(21) Appl. No.: **29/712,079**

(22) Filed: **Nov. 5, 2019**  
(51) **LOC (13) Cl.** ..... **07-99**  
(52) **U.S. Cl.**  
USPC ..... **D7/396.2**

(58) **Field of Classification Search**  
USPC ..... D7/509, 510, 511, 624.1, 387, 391, 392, D7/392.1, 393, 396.1, 396.2; D9/434, D9/435, 439, 445, 447, 451, 454, 438, D9/440, 443, 452, 453; D23/259, 260, D23/261, 209, 210; D24/162, 127  
CPC .... B65D 43/265; B65D 17/506; B65D 47/04; B65D 47/06; B65D 47/08; B65D 47/20; B65D 1/00; B65D 1/02; B65D 1/10; B65D 1/46; B65D 2585/56; B65D 2585/545; B65D 41/00; B65D 41/38; B65D 41/56; B65D 41/62; B65D 47/00; B65D 23/00; B65D 51/1694; B65D 43/0212; B65D 43/0208; B65D 2543/00046; B65D 2543/00092; B65D 1/24; B65D 25/04; B65D 43/09; B65D 43/16; A61J 1/00; A61J 1/1412; A61J 1/02

See application file for complete search history.

(56) **References Cited**

**U.S. PATENT DOCUMENTS**

D116,676 S \* 9/1939 Harnage ..... D7/392  
D291,536 S \* 8/1987 Crawford ..... D9/440

D291,537 S \* 8/1987 Crawford ..... D9/440  
D298,014 S \* 10/1988 McGlyn ..... D9/446  
D306,701 S \* 3/1990 Beck ..... D9/446  
D320,746 S \* 10/1991 Bolen, Jr. .... D9/446  
D353,328 S \* 12/1994 Nuffer ..... D9/445  
D362,186 S \* 9/1995 Thanisch ..... D9/446  
D364,810 S \* 12/1995 Meisner ..... D9/446  
D367,424 S \* 2/1996 Thanisch ..... D9/446  
D475,923 S \* 6/2003 Renz ..... D9/446  
D727,093 S \* 4/2015 Lapsker ..... D7/396.2  
9,884,706 B1 \* 2/2018 Skillin ..... B65D 47/18  
D817,088 S \* 5/2018 Shirley ..... D7/396.2  
D852,625 S \* 7/2019 Meyers  
D857,502 S \* 8/2019 Fracasso ..... D9/449  
D863,874 S \* 10/2019 Melanson ..... D7/392

(Continued)

*Primary Examiner* — Catherine S Posthauer  
(74) *Attorney, Agent, or Firm* — Sterne, Kessler, Goldstein & Fox P.L.L.C.

(57) **CLAIM**

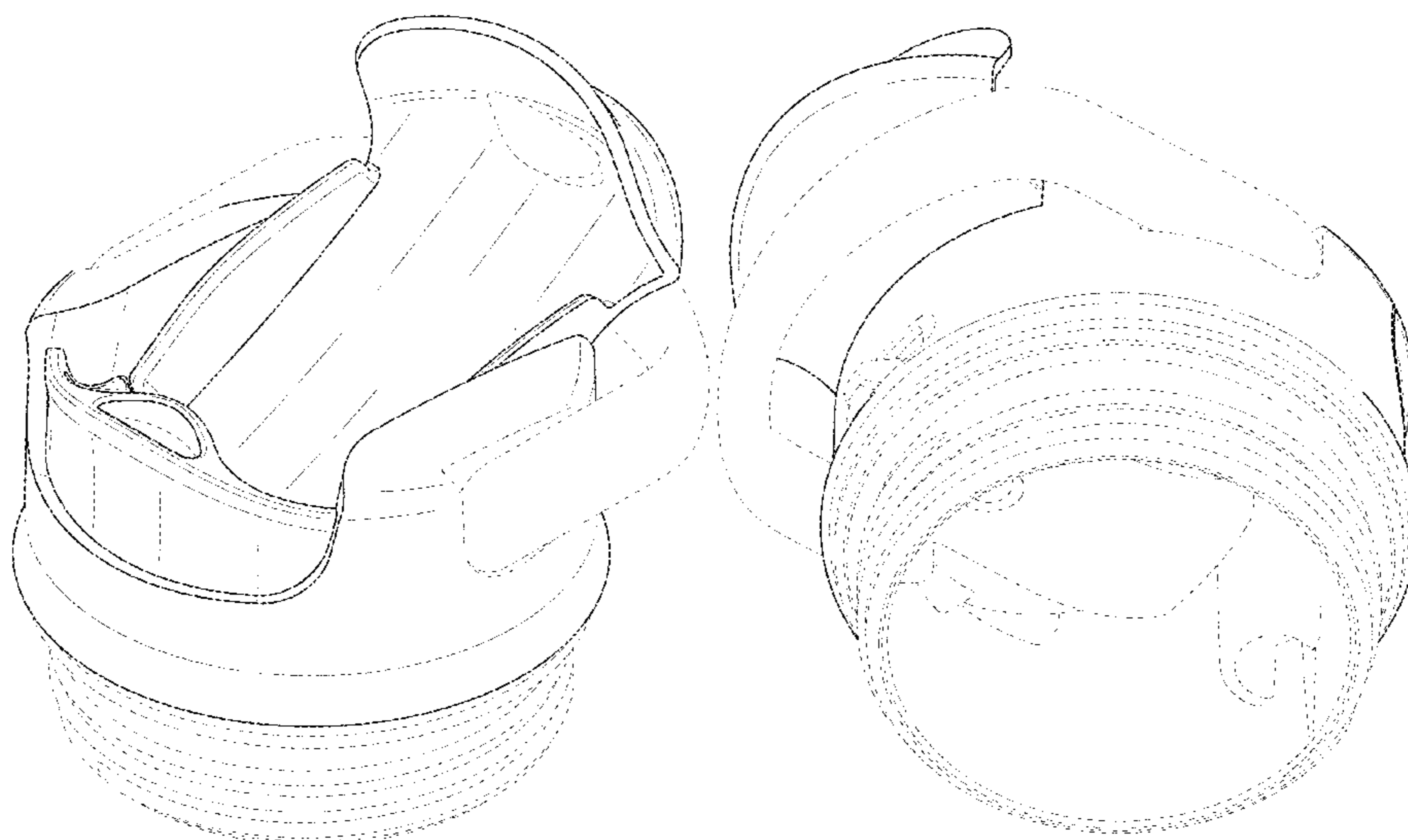
The ornamental design for a lid for container, as shown and described.

**DESCRIPTION**

FIG. 1 is a top front perspective view of a lid for container showing the claimed design;  
FIG. 2 is a bottom rear perspective view thereof;  
FIG. 3 is a front view thereof;  
FIG. 4 is a rear view thereof;  
FIG. 5 is a left side view thereof;  
FIG. 6 is a right side view thereof;  
FIG. 7 is a top view thereof; and,  
FIG. 8 is a bottom view thereof.

The dashed broken lines in the figures show portions of the lid for container that form no part of the claimed design. The dot-dash broken lines in the figures and the areas within the dot-dash broken lines show portions of the lid for container that form no part of the claimed design.

**1 Claim, 8 Drawing Sheets**



(56)

**References Cited**

U.S. PATENT DOCUMENTS

D865,441 S	*	11/2019	Lowette	.....	D7/392
D873,604 S	*	1/2020	Lowette	.....	D7/392
D882,334 S	*	4/2020	Henkel	.....	D7/396.2
D885,124 S	*	5/2020	Yessin	.....	D7/396.2
D885,829 S	*	6/2020	Bodum	.....	D7/392.1
D889,194 S	*	7/2020	Han	.....	D7/392.1
D896,570 S	*	9/2020	Berroa Garcia	.....	D7/392.1
D902,650 S	*	11/2020	Wang	.....	D7/396.2

\* cited by examiner

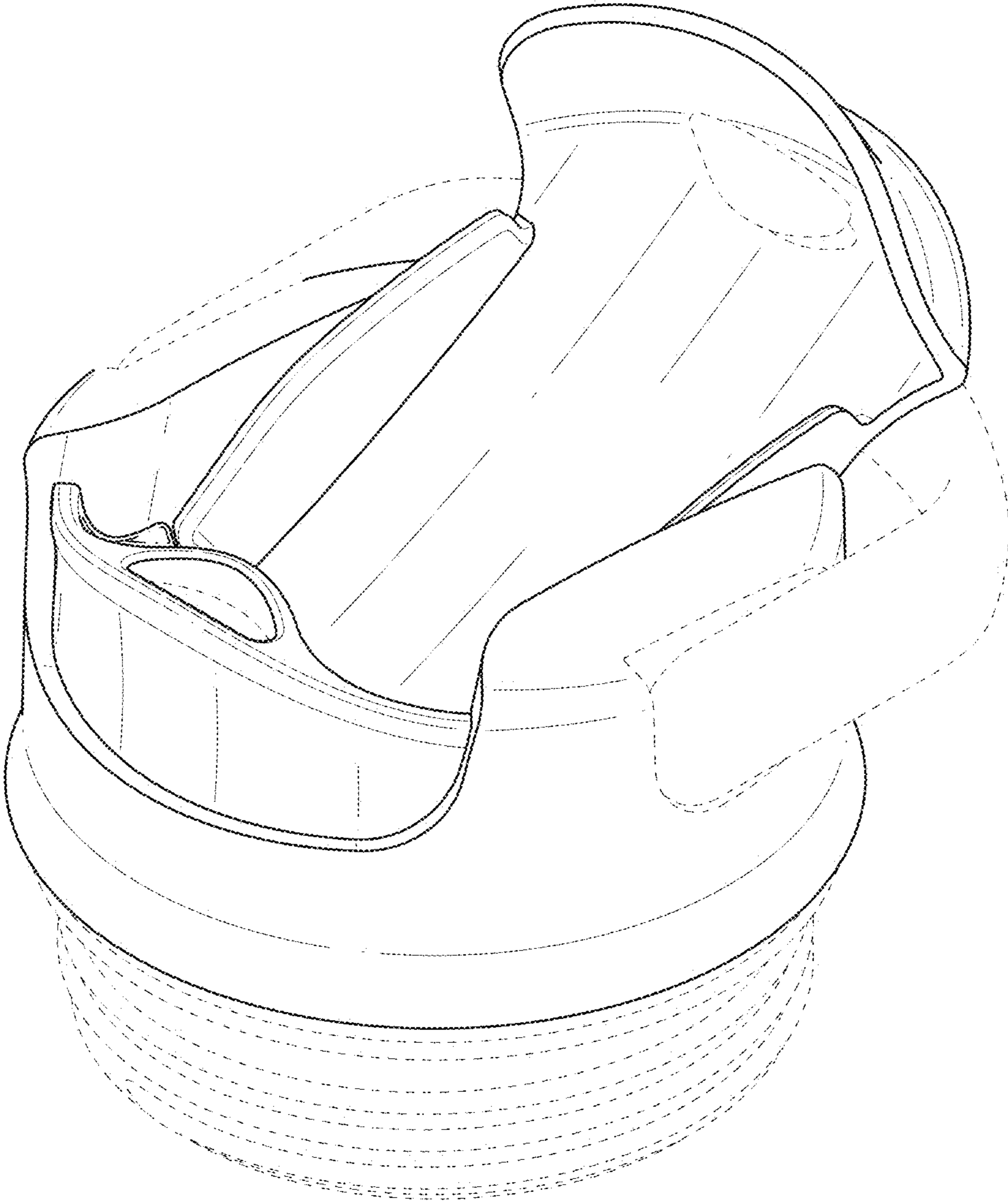


FIG. 1

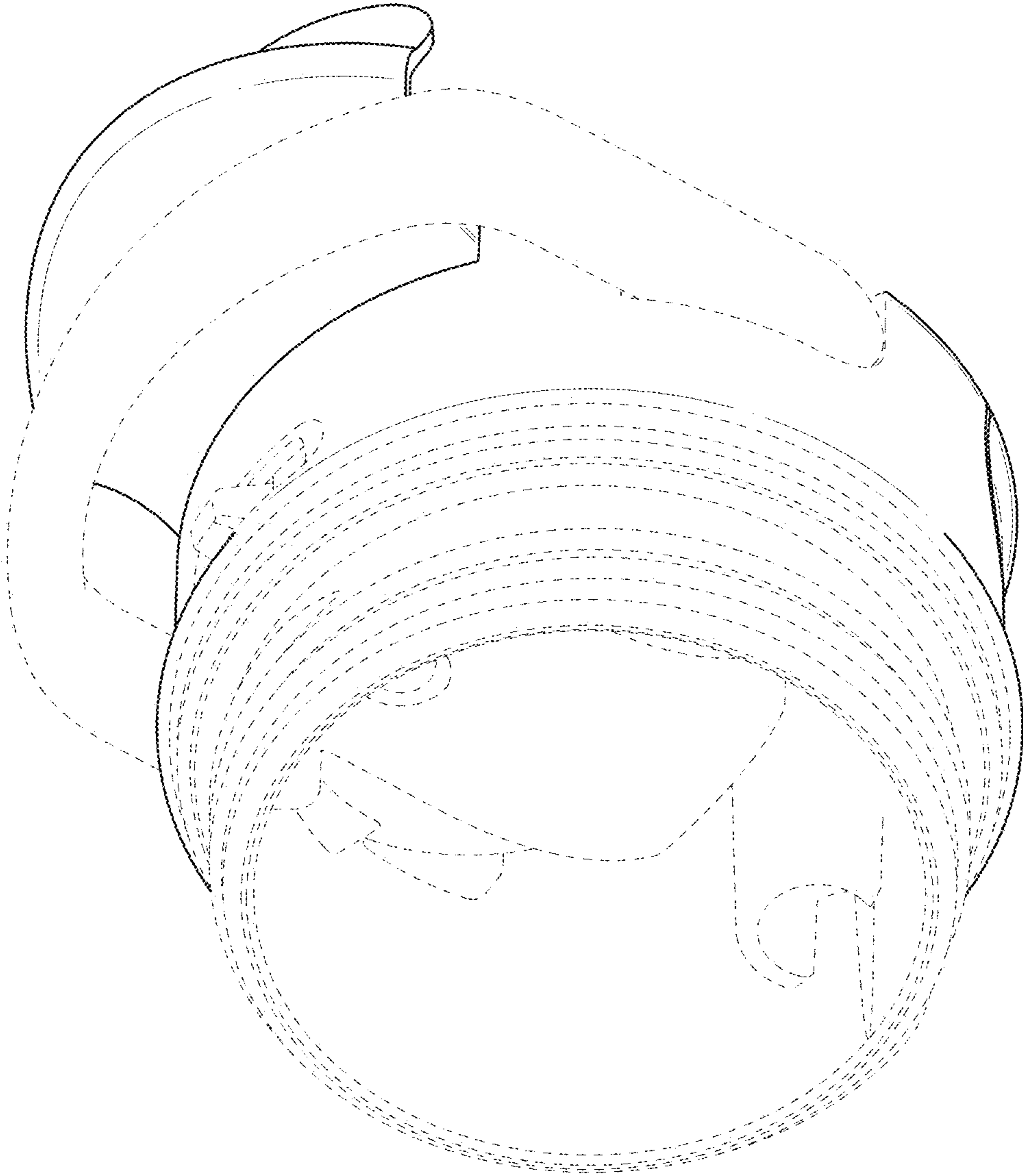


FIG. 2

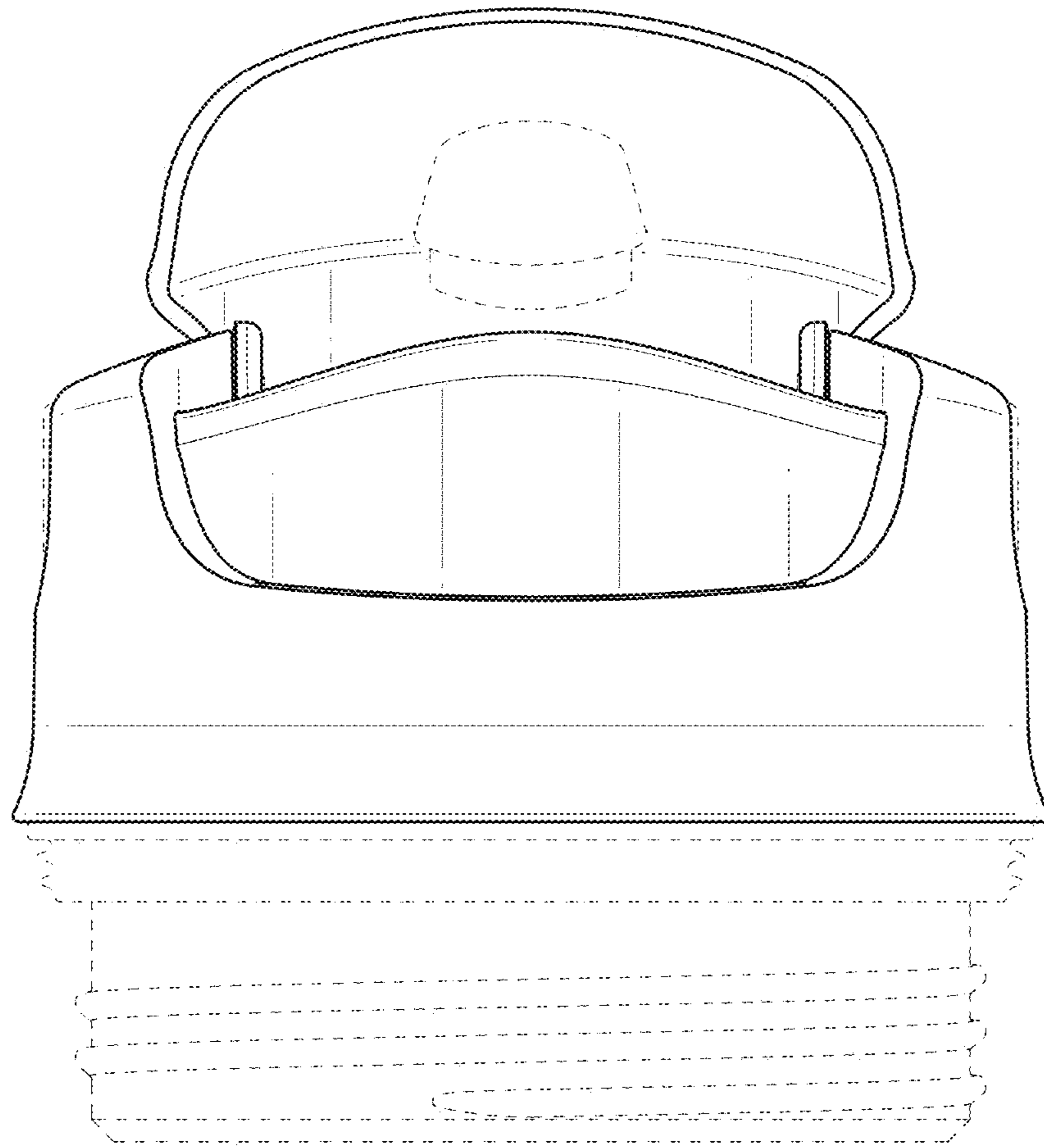


FIG. 3

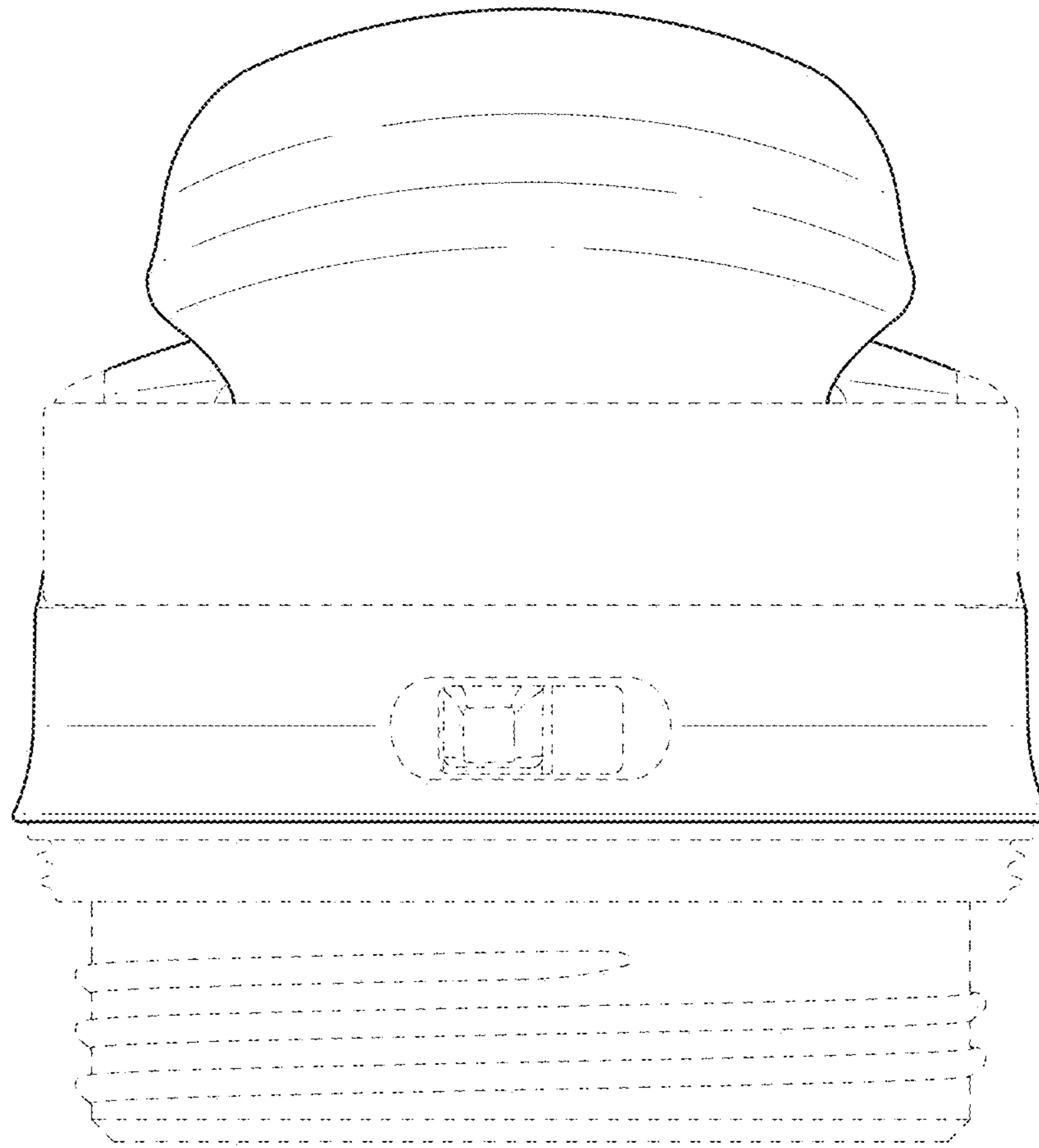


FIG. 4

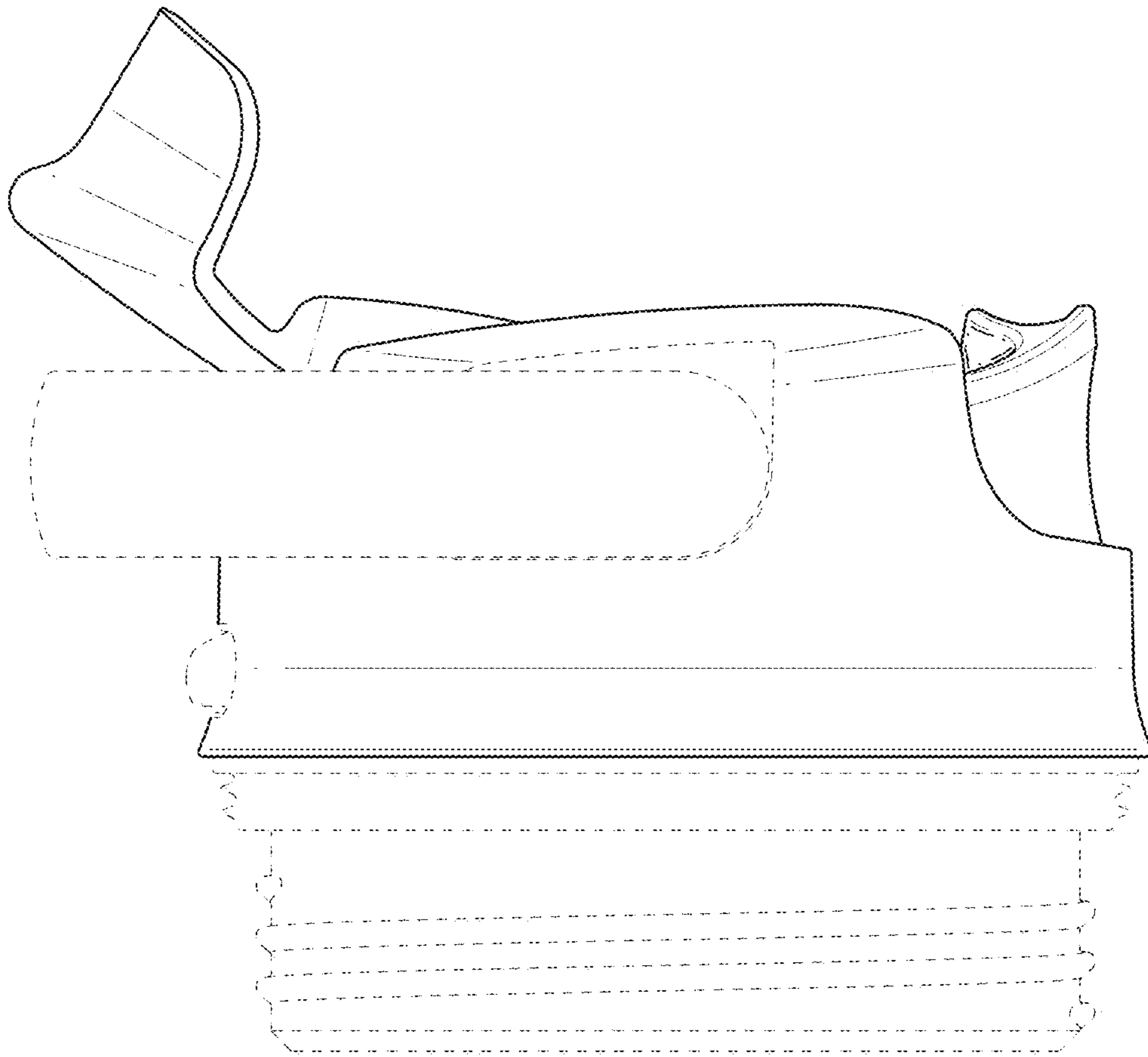


FIG. 5

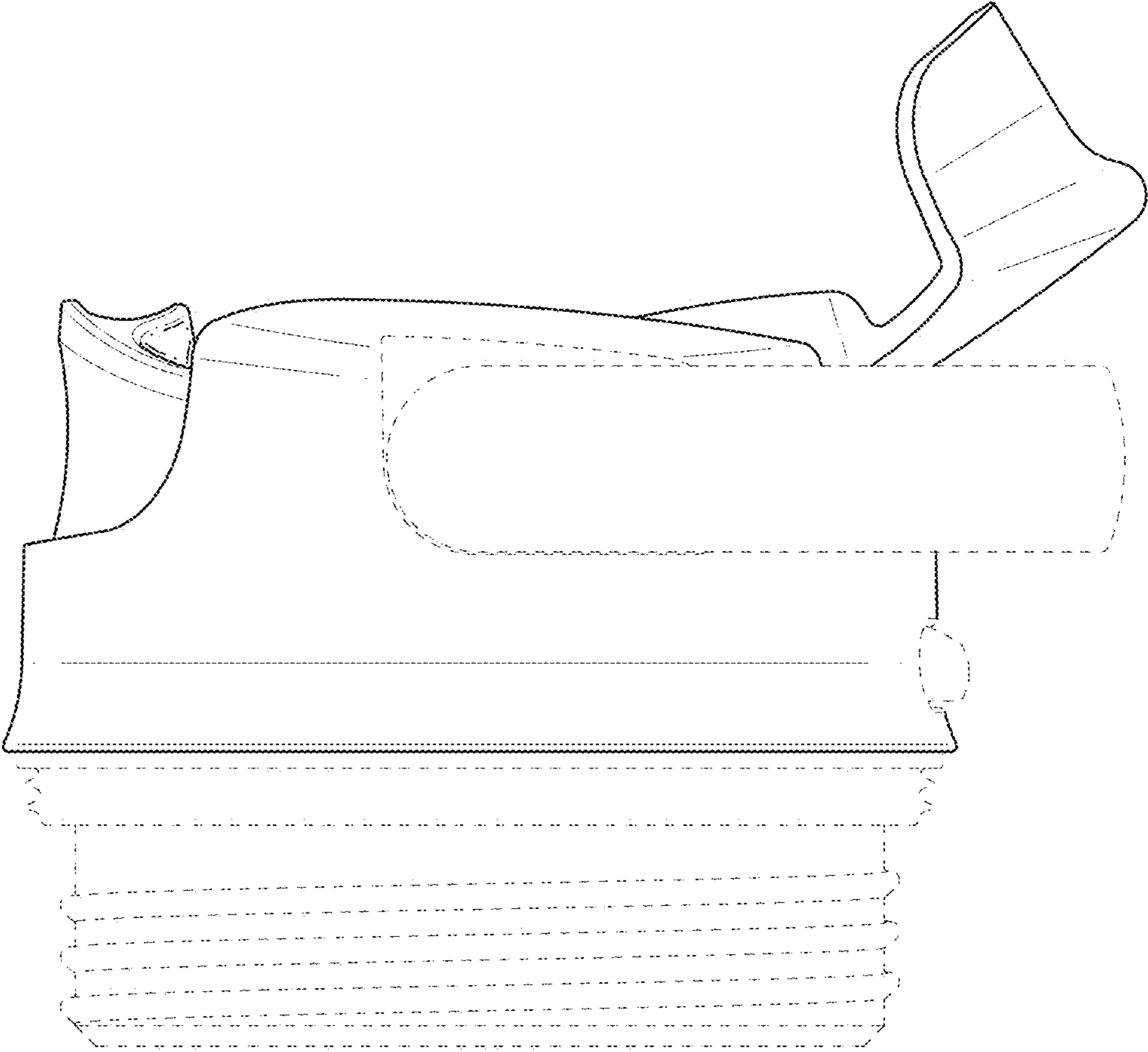


FIG. 6



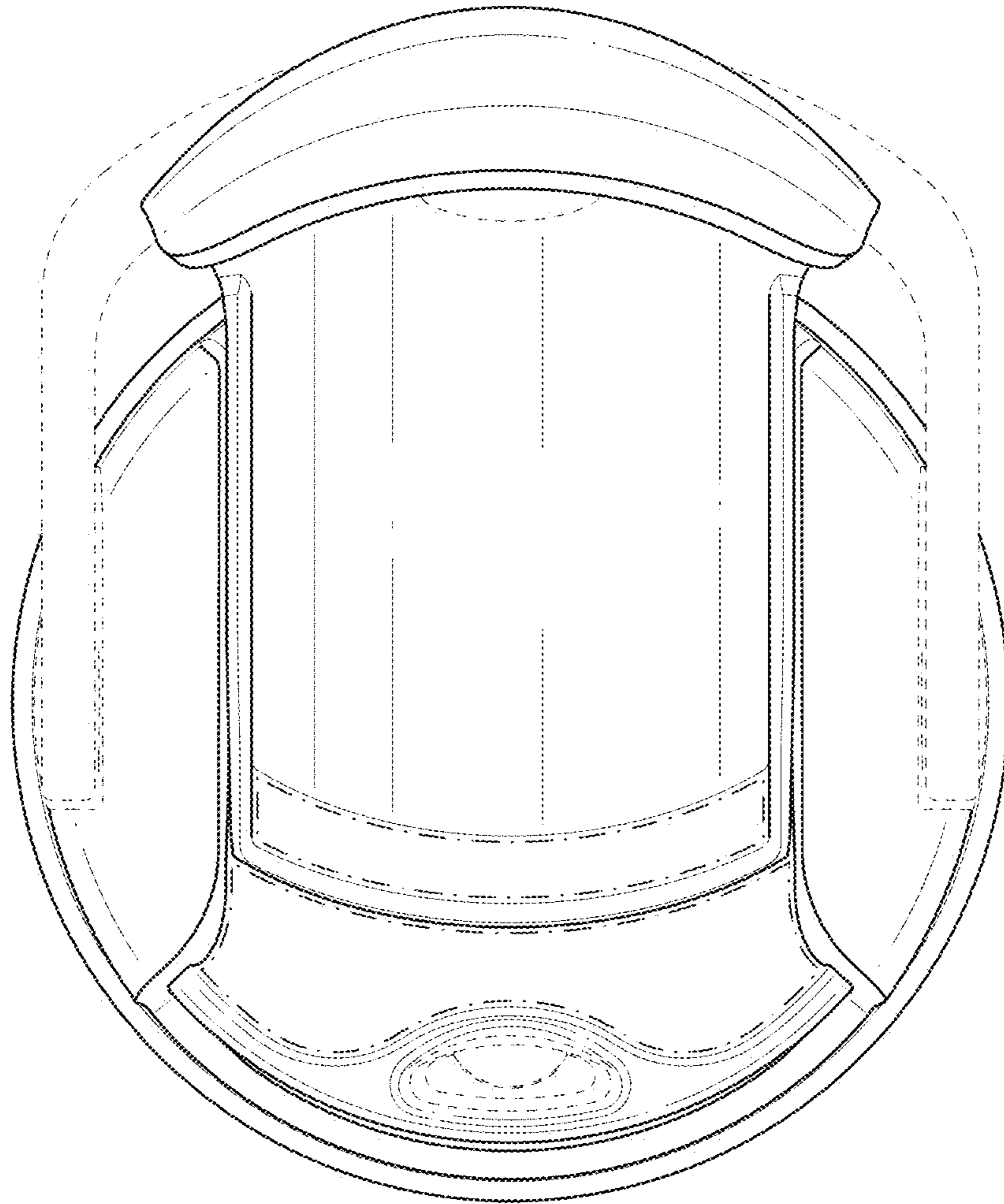


FIG. 7

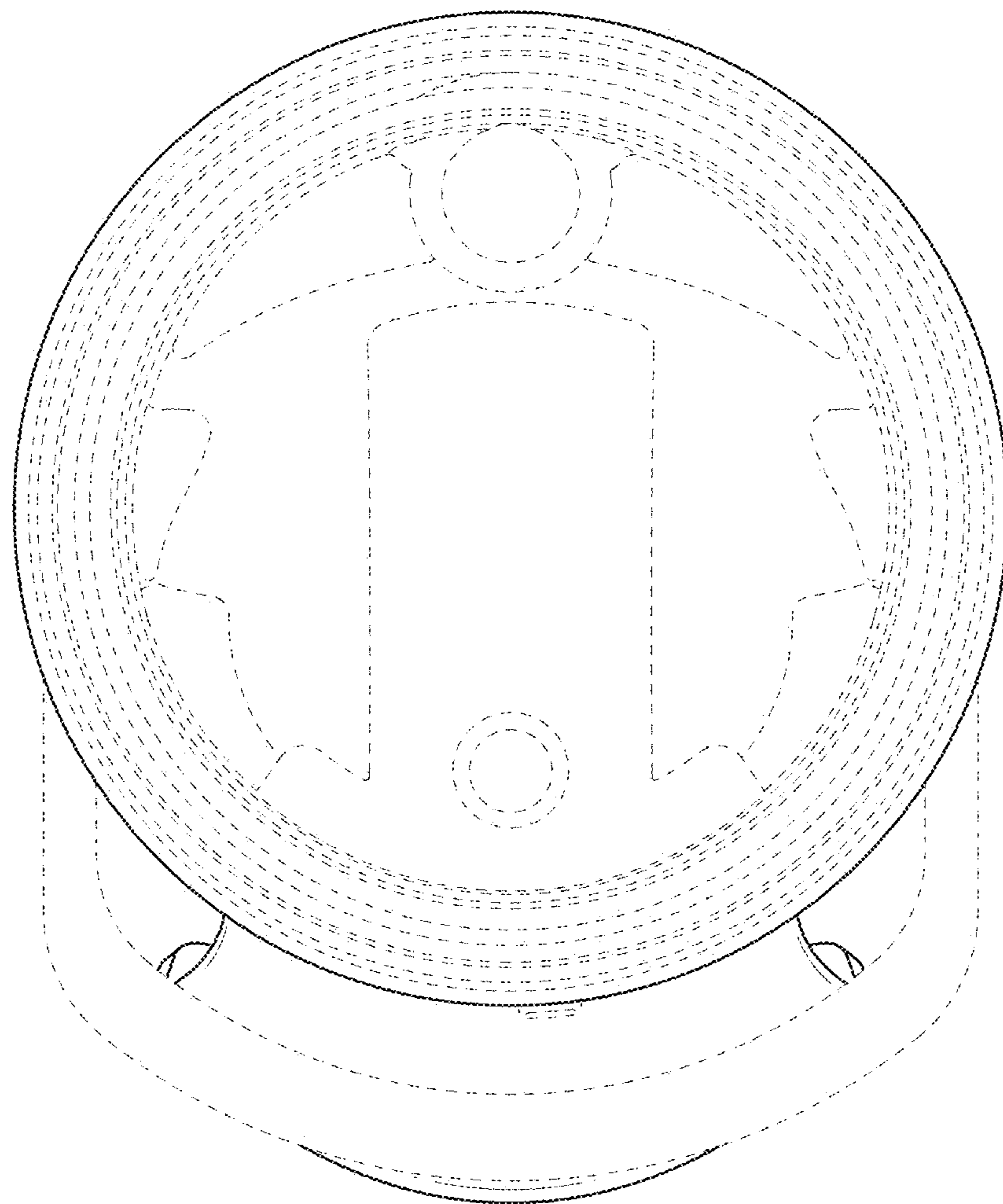


FIG. 8