



US00D927247S

(12) **United States Design Patent** (10) **Patent No.:** **US D927,247 S**
Hartley et al. (45) **Date of Patent:** **** Aug. 10, 2021**

(54) **CONTAINER LID**

(71) Applicant: **The Decor Corporation Pty. Ltd.**,
Dandenong South (AU)
(72) Inventors: **Toby Hartley**, Keysborough (AU);
Alexander Schoenmakers,
Keysborough (AU); **Justin Armistead**,
Keysborough (AU)
(73) Assignee: **The Decor Corporation Pty. Ltd.**,
Dandenong South (AU)

(**) Term: **15 Years**

(21) Appl. No.: **29/700,077**

(22) Filed: **Jul. 31, 2019**

(30) **Foreign Application Priority Data**

Feb. 5, 2019 (AU) 201910586

(51) **LOC (13) Cl.** **07-99**

(52) **U.S. Cl.**
USPC **D7/392.1; D9/436**

(58) **Field of Classification Search**
USPC D24/121, 127, 227; D30/123, 121,
D30/129-133; D3/201, 272, 294, 318;
D9/661, 664, 707, 732, 736, 743, 744,
D9/745, 755, 756, 761, 414, 424, 439,
D9/434, 435, 436, 451, 455, 456;
D7/360, 511, 542, 629, 705, 538, 550.1,
D7/551.1, 601, 602, 354, 387, 388, 391,
D7/392, 392.1, 396.1, 701, 703, 707, 708,
D7/756, 761
CPC ... B65D 1/00; B65D 1/30; B65D 1/34; B65D
1/36; B65D 2543/00842; B65D 65/466;
B65D 25/04; B65D 25/00; B65D 41/12;
B65D 2205/00; B65D 51/1683

See application file for complete search history.

(56) **References Cited**

U.S. PATENT DOCUMENTS

| | | | |
|---------------|---------|------------------|---------------------------|
| D106,808 S * | 11/1937 | Perlman | D7/391 |
| 5,762,228 A * | 6/1998 | Morgan | B65D 47/0895 220/367.1 |
| D416,170 S * | 11/1999 | Stucke, Jr. | D7/392 |
| D516,376 S * | 3/2006 | Kim | D7/392.1 |
| D527,218 S * | 8/2006 | Carlson | D7/392 |
| D562,624 S * | 2/2008 | Kortleven | D7/392.1 |
| D565,889 S * | 4/2008 | Laib | D7/392.1 |
| D590,666 S * | 4/2009 | Wang | D7/629 |
| D595,085 S * | 6/2009 | Carlson | D7/392 |
| D642,861 S * | 8/2011 | Samartgis | D7/392.1 |
| D660,093 S * | 5/2012 | Kyung | D7/629 |

(Continued)

OTHER PUBLICATIONS

Decor Delish Obling Container: Announced Mar. 28, 2020 [online].
Site Visited [Sep. 20, 2020]. Available from Internet URL: <https://www.decor.com.au/product/decor-delish-1-0l-oblong/>.*

Primary Examiner — Catherine S Posthauer

(74) *Attorney, Agent, or Firm* — Stevens & Showalter
LLP

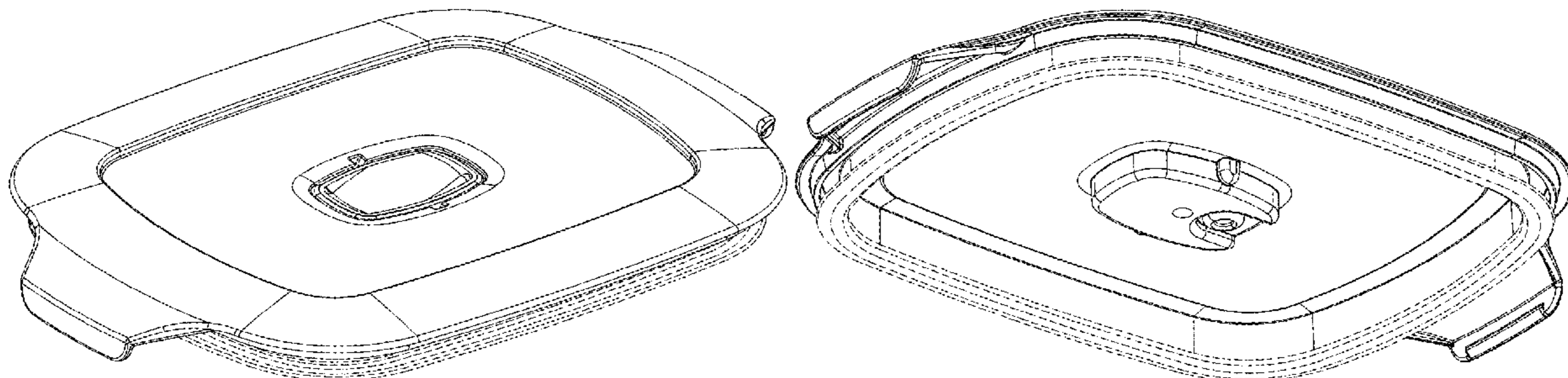
(57) **CLAIM**

The ornamental design for a container lid, as shown and described.

DESCRIPTION

FIG. 1 is a top front perspective view of a container lid, showing our new design;
FIG. 2 is a bottom rear perspective view thereof;
FIG. 3 is a top plan view thereof;
FIG. 4 is a bottom plan view thereof;
FIG. 5 is a front elevation view thereof;
FIG. 6 is a rear elevation view thereof;
FIG. 7 is left side elevation view thereof; and,
FIG. 8 is a right side elevation view thereof.
The broken lines are shown for the purpose of illustrating both parts of the article that form no part of the claim as well as boundaries of the claim.

1 Claim, 4 Drawing Sheets



(56)

References Cited

U.S. PATENT DOCUMENTS

D660,094 S * 5/2012 Kyung D7/629
D673,808 S * 1/2013 Grider D7/391
D698,199 S * 1/2014 Yessin D7/392.1
D700,010 S * 2/2014 Duvigneau D7/391
D700,473 S * 3/2014 Duvigneau D7/391
D704,503 S * 5/2014 Manley D7/391
D735,524 S * 8/2015 Holding D7/392.1
D760,035 S * 6/2016 Kim D7/629
D811,160 S * 2/2018 Evans D7/392.1
D821,808 S * 7/2018 Diner D7/391
D828,716 S * 9/2018 Zhang D7/392.1
D828,717 S * 9/2018 Zhang D7/392.1
10,138,020 B2 * 11/2018 Gosen B65D 21/0204
D837,588 S * 1/2019 Croft D7/391
D845,701 S * 4/2019 Rummel D7/392.1
D854,878 S * 7/2019 Duvigneau D7/391
D869,228 S * 12/2019 Zhang D7/392.1
D870,507 S * 12/2019 Whaley D7/391
D879,549 S * 3/2020 Zhang D7/391
D892,541 S * 8/2020 Evans D7/392.1
2003/0116572 A1 * 6/2003 Klock B65D 51/1683
220/367.1
2018/0265263 A1 * 9/2018 Li B65D 53/02
2019/0359396 A1 * 11/2019 Wolters A47J 47/10
2020/0140149 A1 * 5/2020 Ragias B65D 45/20

* cited by examiner

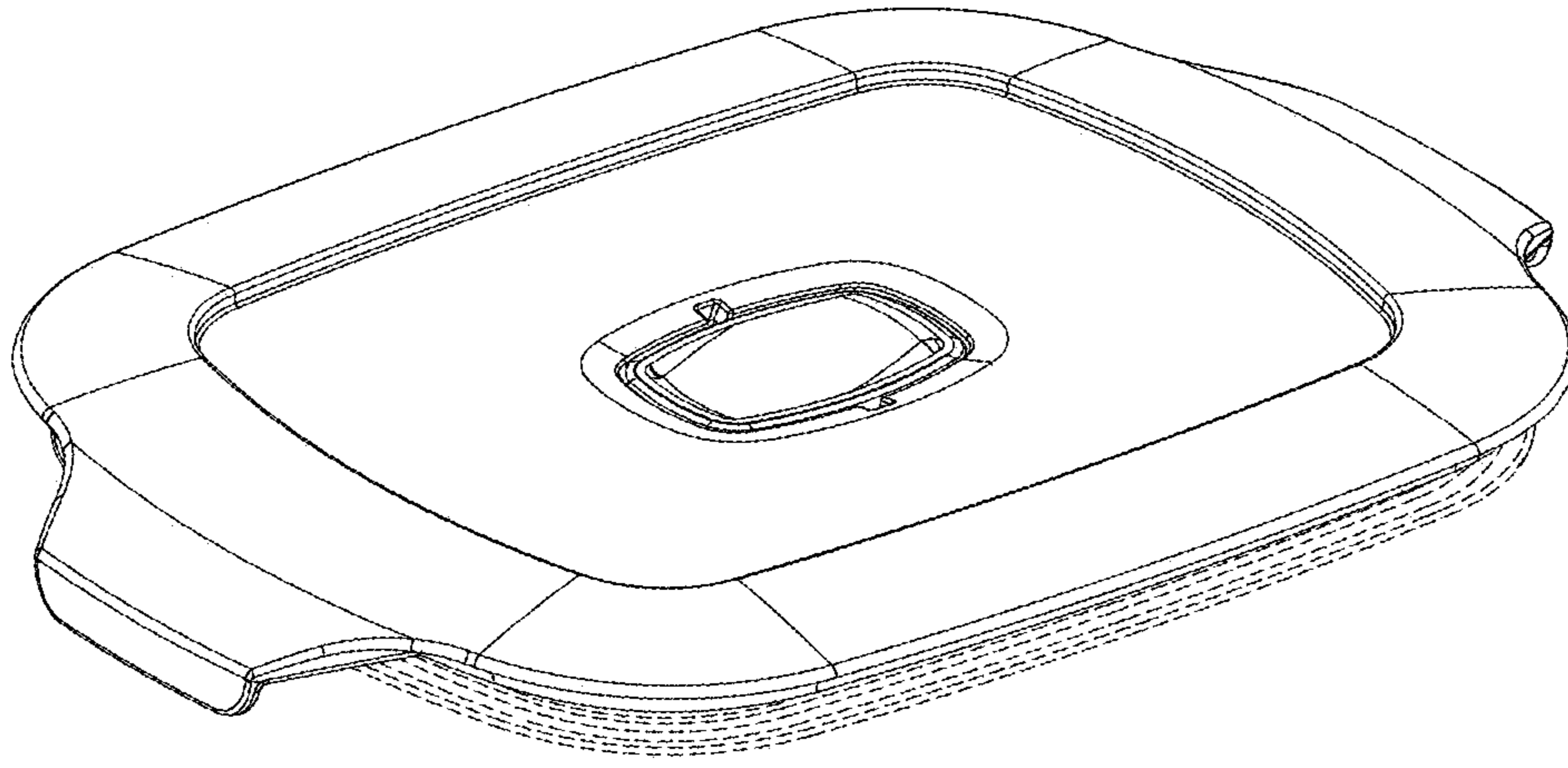


FIG. 1

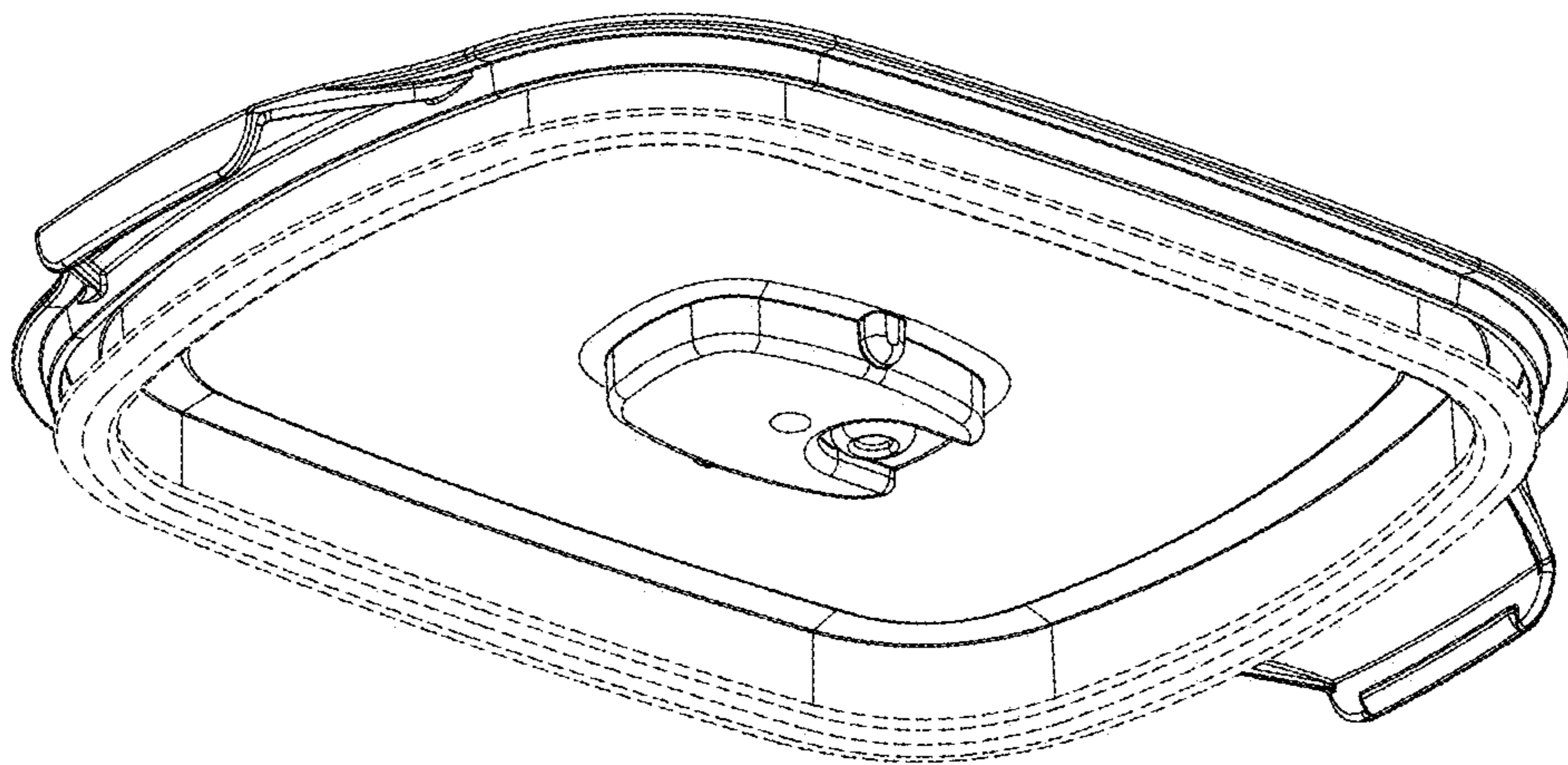


FIG. 2

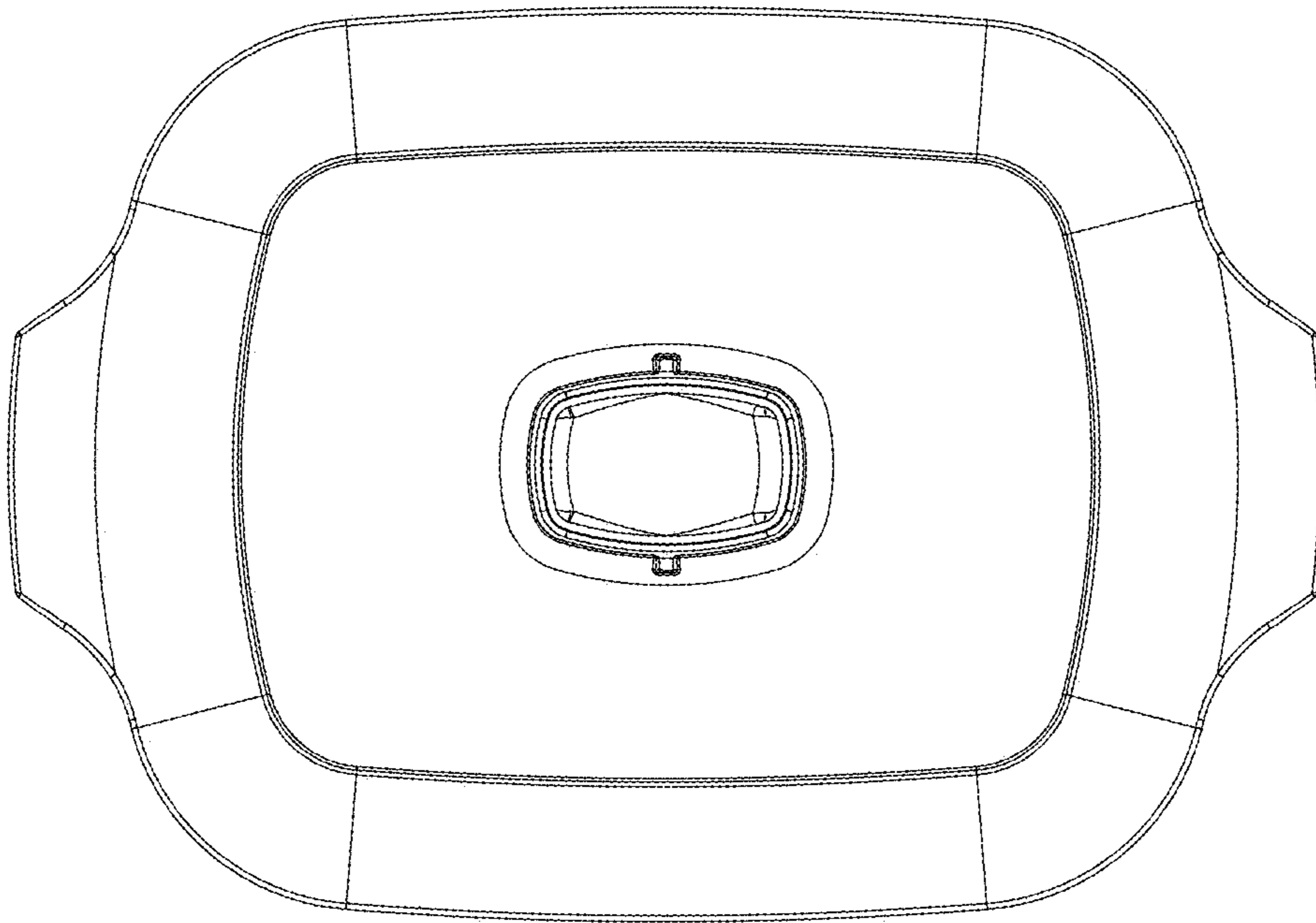


FIG. 3

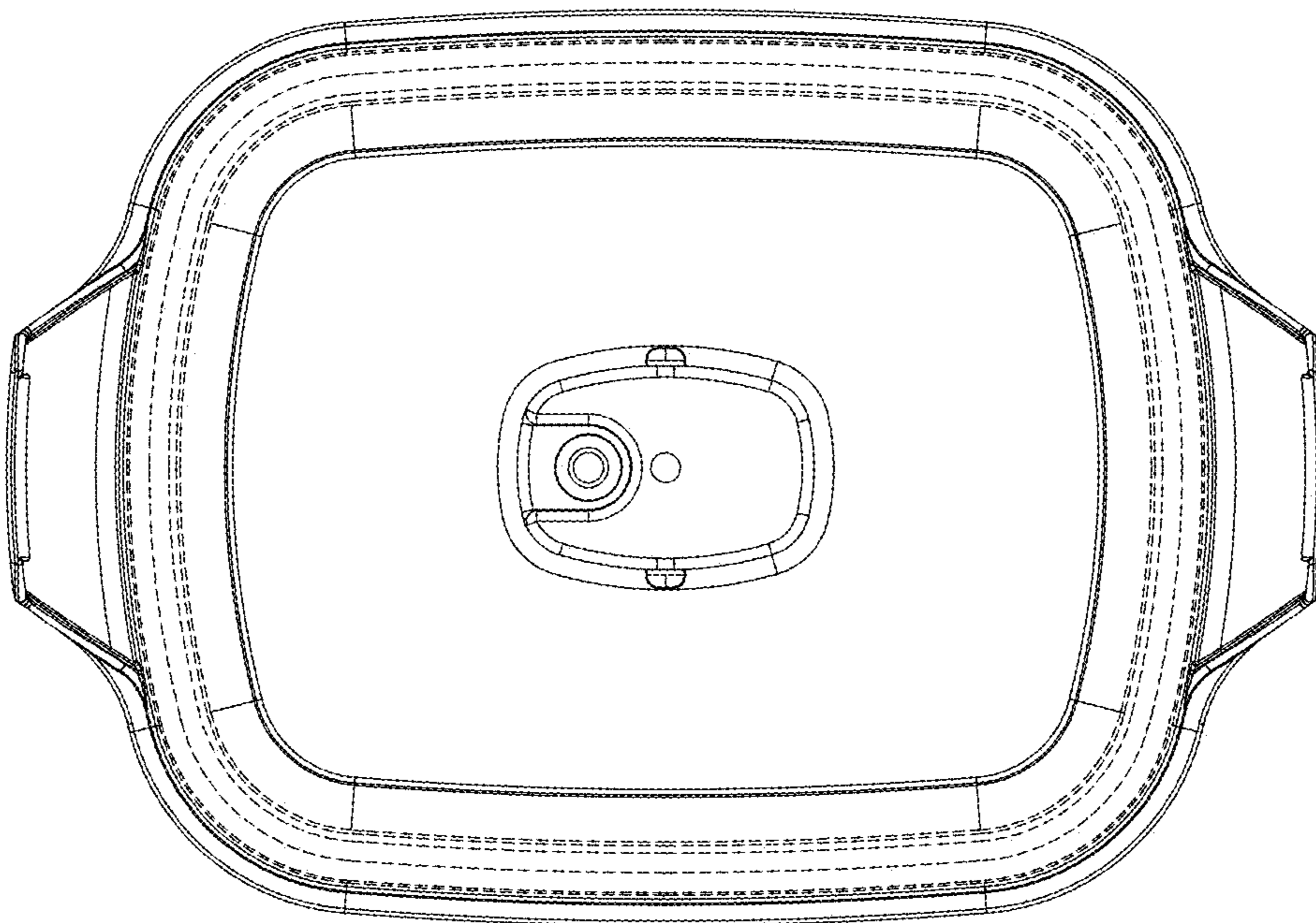


FIG. 4

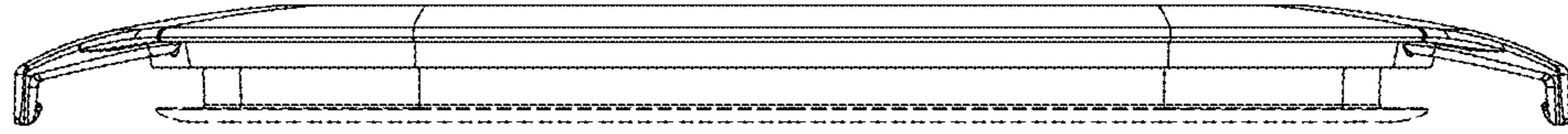


FIG. 5



FIG. 6

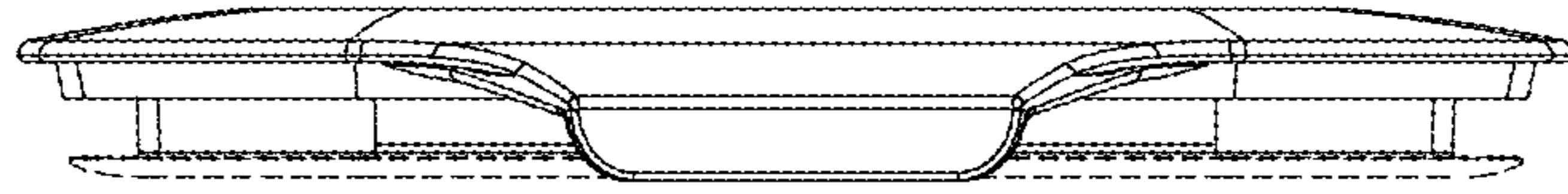


FIG. 7

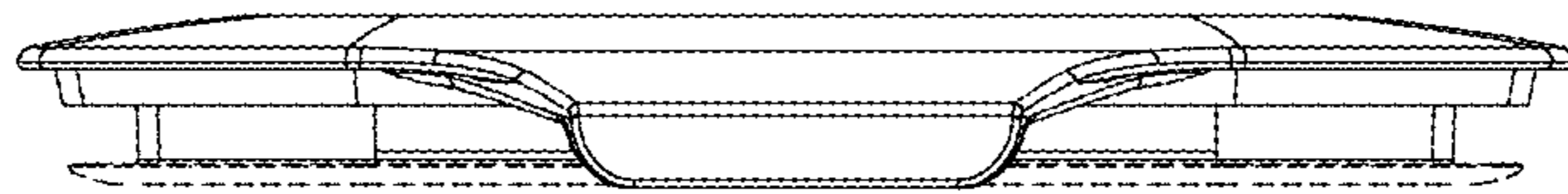


FIG. 8