



US00D927246S

(12) **United States Design Patent**
Bodum

(10) **Patent No.:** **US D927,246 S**

(45) **Date of Patent:** **** Aug. 10, 2021**

(54) **LID**

(71) Applicant: **PI-Design AG**, Triengen (CH)

(72) Inventor: **Jorgen Bodum**, Meggen (CH)

(73) Assignee: **PI-Design AG**, Triengen (CH)

(**) Term: **15 Years**

(21) Appl. No.: **29/672,795**

(22) Filed: **Dec. 10, 2018**

(30) **Foreign Application Priority Data**

Jul. 13, 2018 (WO) DM/102405

(51) **LOC (13) Cl.** **07-02**

(52) **U.S. Cl.**
USPC **D7/392; D9/449**

(58) **Field of Classification Search**
USPC D7/391, 392, 392.1, 397, 510, 511, 542,
D7/543, 602, 605, 629; D9/435, 443,
D9/447, 449, 450, 454
CPC B65D 51/16; B65D 43/0225
See application file for complete search history.

(56) **References Cited**

U.S. PATENT DOCUMENTS

- 5,927,566 A * 7/1999 Mueller B29D 23/20
222/490
- D547,114 S * 7/2007 Backaert D7/392
- D628,023 S * 11/2010 Bodum D7/665
- D677,118 S * 3/2013 Rosenfeld D7/392
- D692,720 S * 11/2013 Audette D9/447
- D807,745 S * 1/2018 Ross D9/449
- D824,720 S * 8/2018 Gagnon D7/392.1
- D825,244 S * 8/2018 Bodum D7/309
- D828,717 S * 9/2018 Zhang D7/392.1
- D856,068 S * 8/2019 Barber D9/443
- 2015/0136786 A1* 5/2015 Lonner B65D 21/086
220/529
- 2015/0166231 A1* 6/2015 Taylor B65D 47/286
220/212
- 2018/0194524 A1* 7/2018 Chalermwinsuekun
A47G 19/2272

OTHER PUBLICATIONS

“Bodum: Melior Double Wall Drink Dispenser”. Found online Jun. 8, 2021 at amazon.co.uk. Reference dated Oct. 19, 2017. Retrieved from https://www.amazon.co.uk/BODUM-Melior-Double-Drink-Dispenser/dp/B07621W31H/ref=sr_1_46?*

“Bodum santos vacuum coffee maker might have the secrets to good cuppa!” Found online Jun. 8, 2021 at oncoffeemakers.com. Reference dated Jan. 15, 2008. Retrieved from <https://web.archive.org/web/20080115074545/http://www.oncoffeemakers.com/bodum-santos-vacuum-coffee-maker.html>.*

“Pyrex No-Leak Lid with Vent”. Found online Jan. 28, 2020 at kohls.com. Reference dated Sep. 8, 2010. Retrieved from <https://www.kohls.com/product/prd-599629/pyrex-no-leak-lids-12-pc-storage-container-set.jsp>.*

“Thinkbaby: Stainless Steel Thinkster Bottle”. Found online Jun. 8, 2021 at amazon.com. Reference dated Jun. 26, 2015. Retrieved from https://www.amazon.com/thinkbaby-Thinkster-Steel-Bottle-Silver/dp/B00VXV94JS/ref=cm_cr_arp_d_product_top?ie=UTF8.*

* cited by examiner

Primary Examiner — Kendra Leslie Hamilton
(74) *Attorney, Agent, or Firm* — McDonnell Boehnen Hulbert & Berghoff LLP

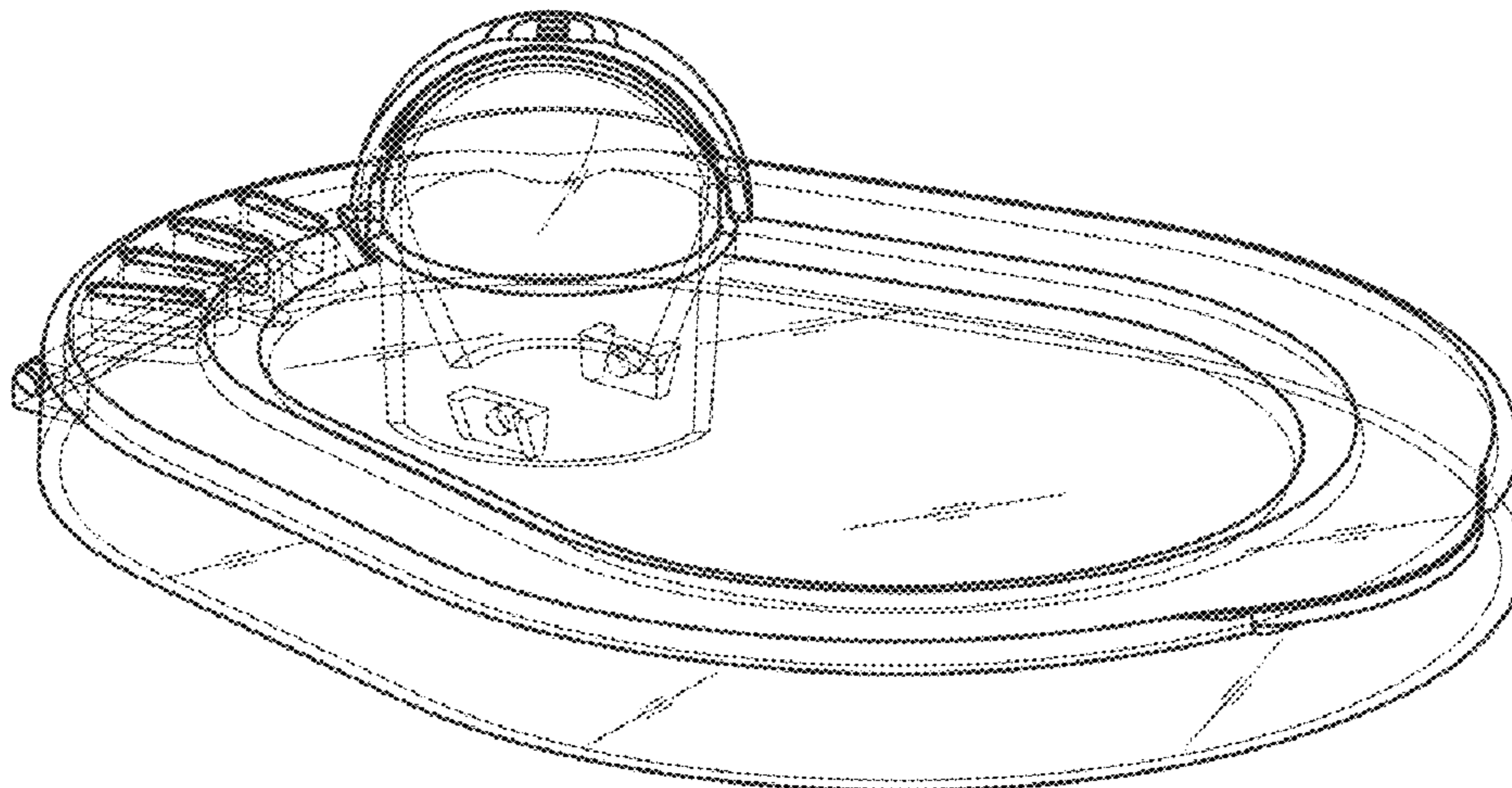
(57) **CLAIM**

The ornamental design for a lid, as shown and described.

DESCRIPTION

FIG. 1 is a perspective view of a lid showing my new design; FIG. 2 is a front view thereof; FIG. 3 is a rear view thereof; FIG. 4 is a left side view thereof; FIG. 5 is a right side view thereof; FIG. 6 is a top view thereof; and, FIG. 7 is a bottom view thereof.

1 Claim, 7 Drawing Sheets



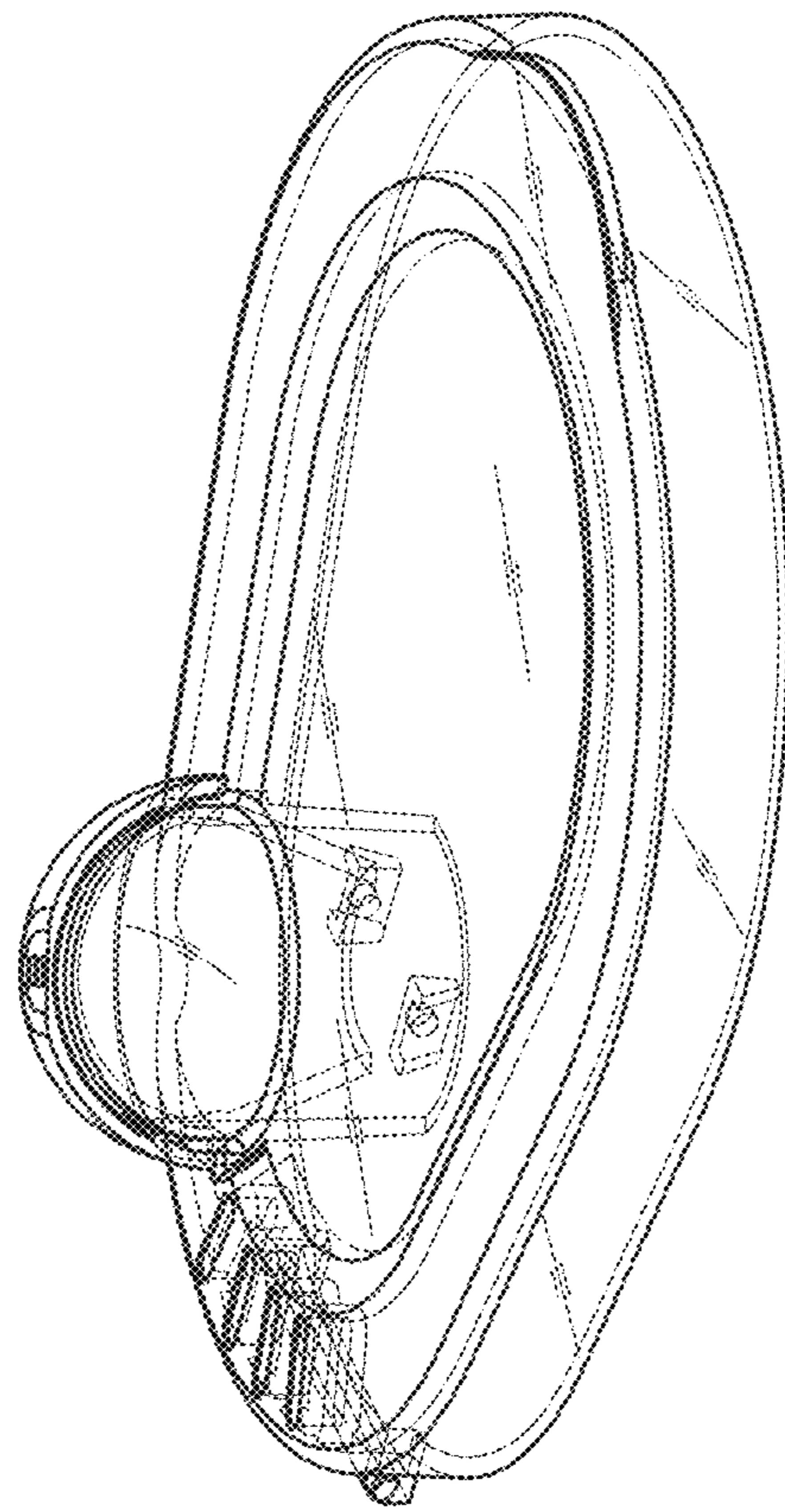


FIG. 1

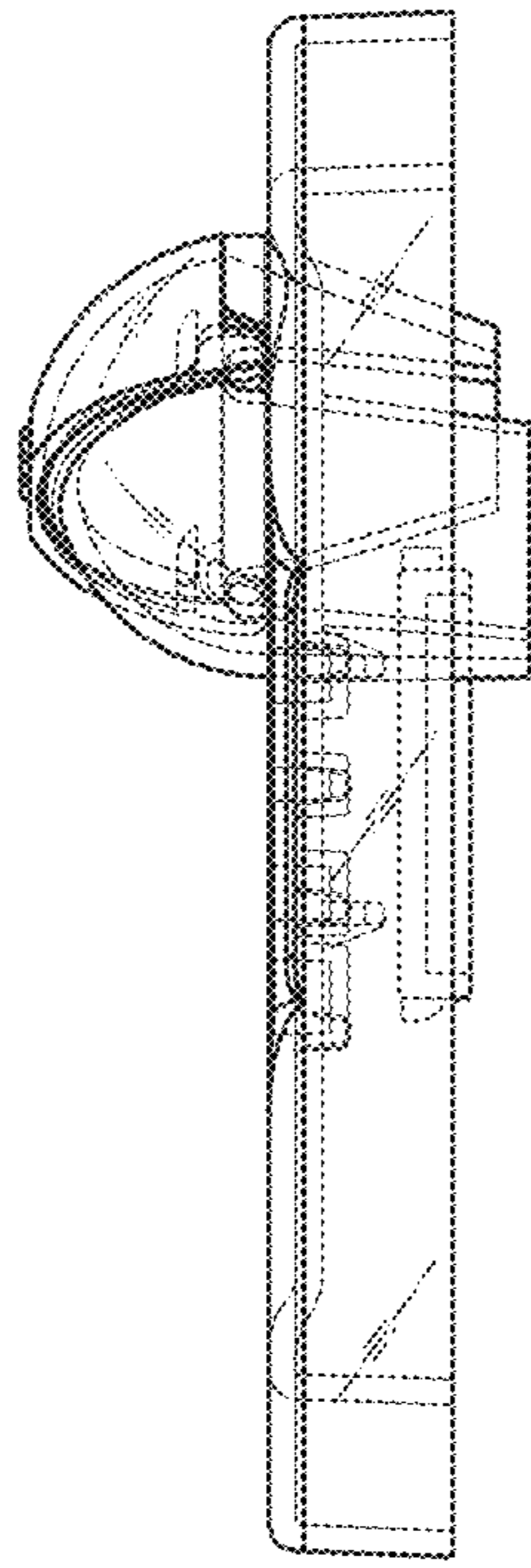


FIG. 2

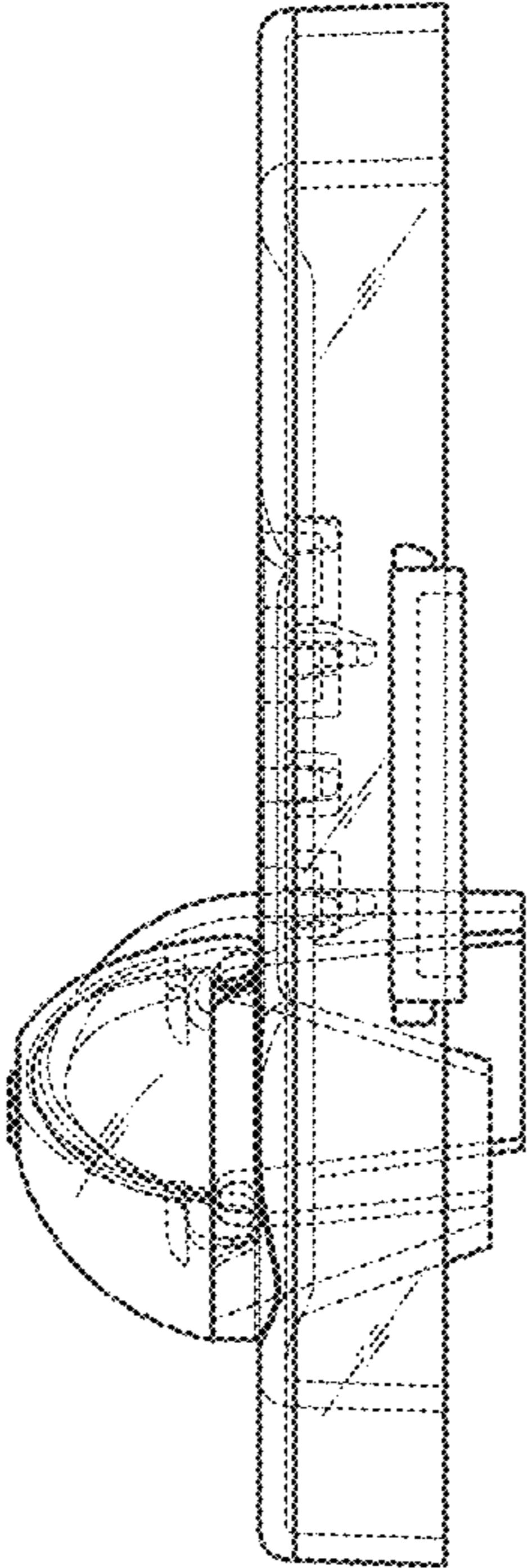


FIG. 3

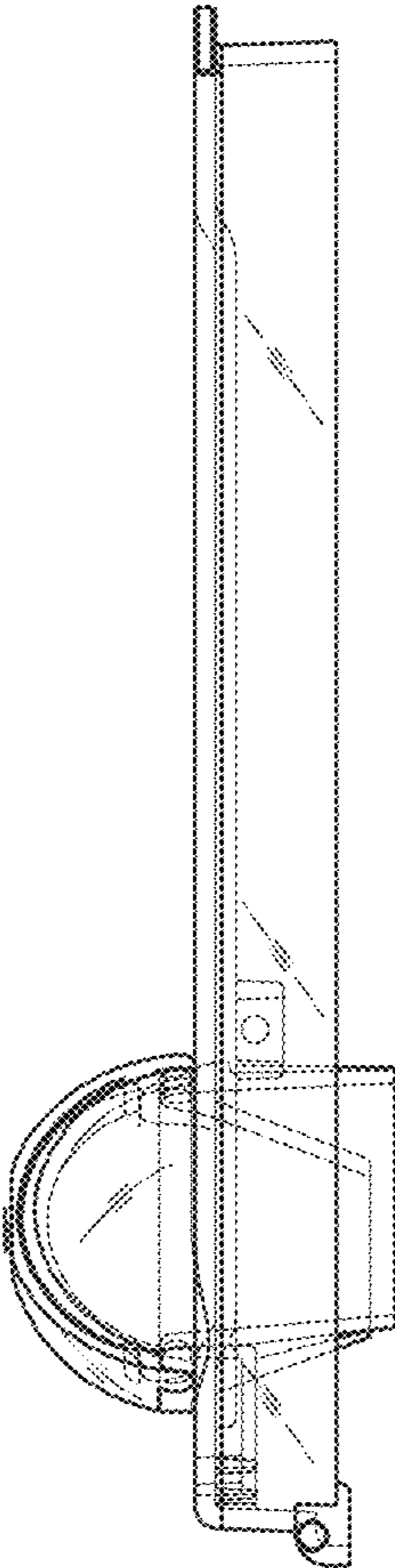


FIG. 4

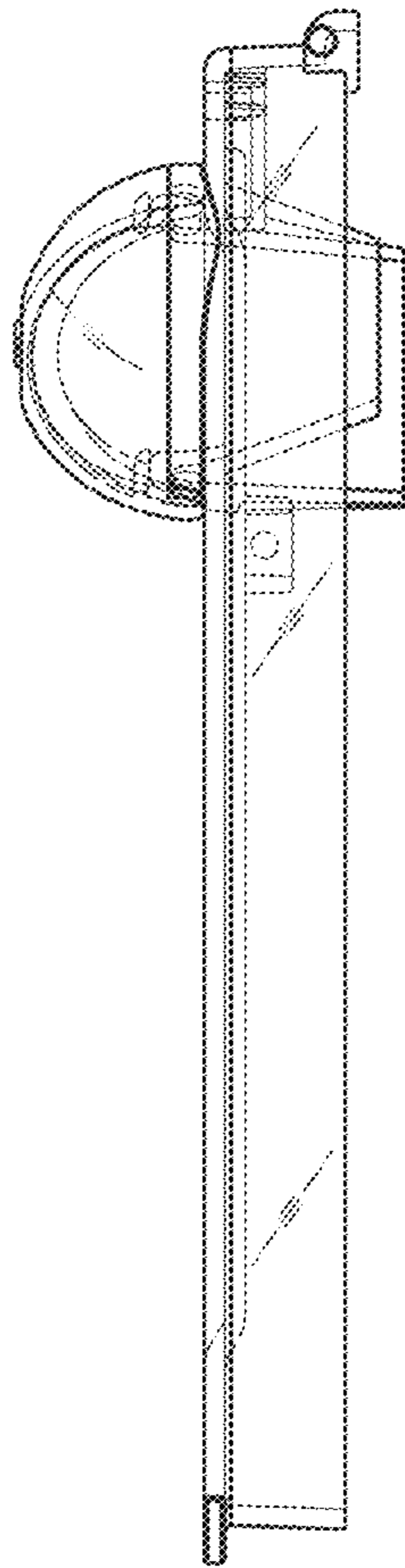


FIG. 5

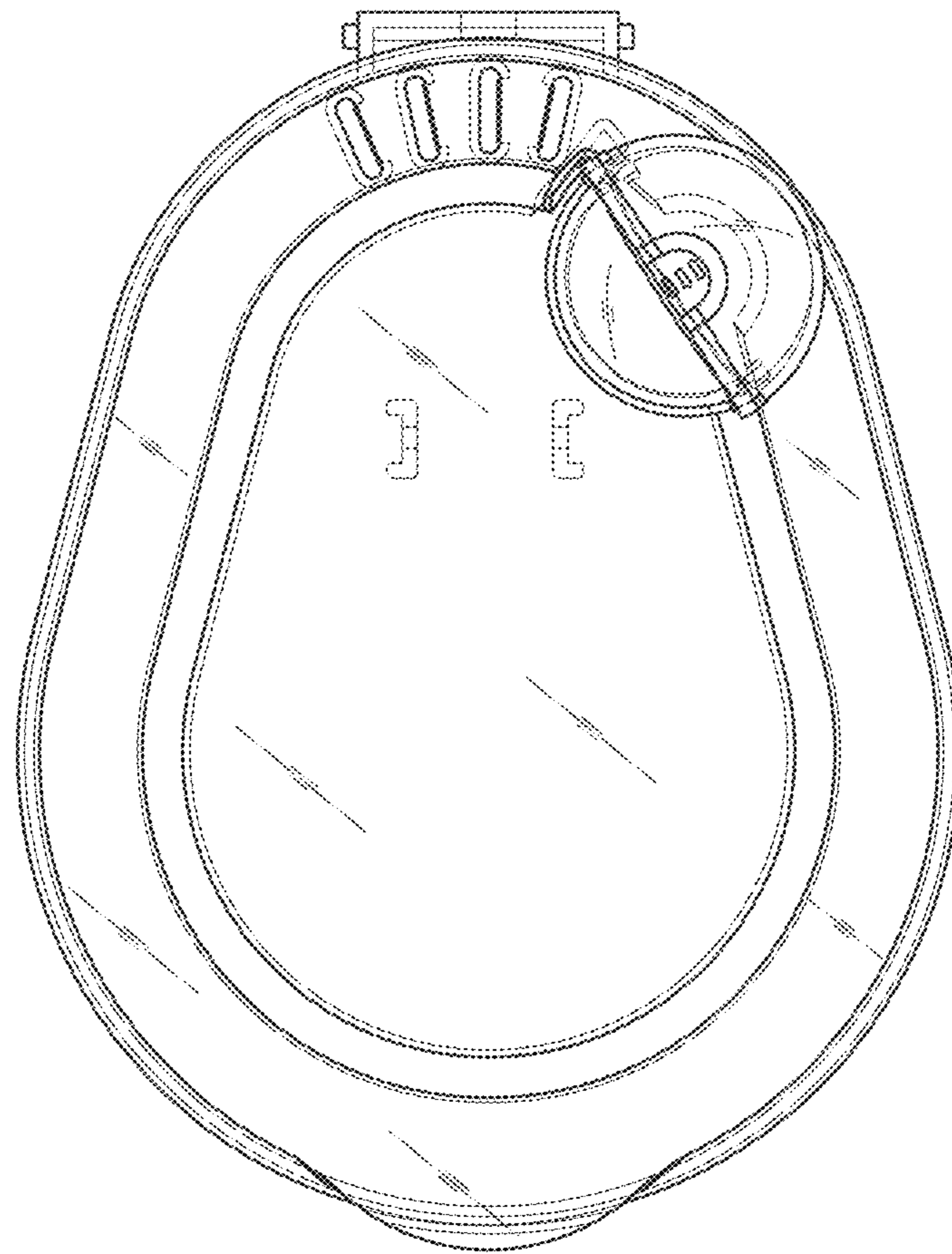


FIG. 6

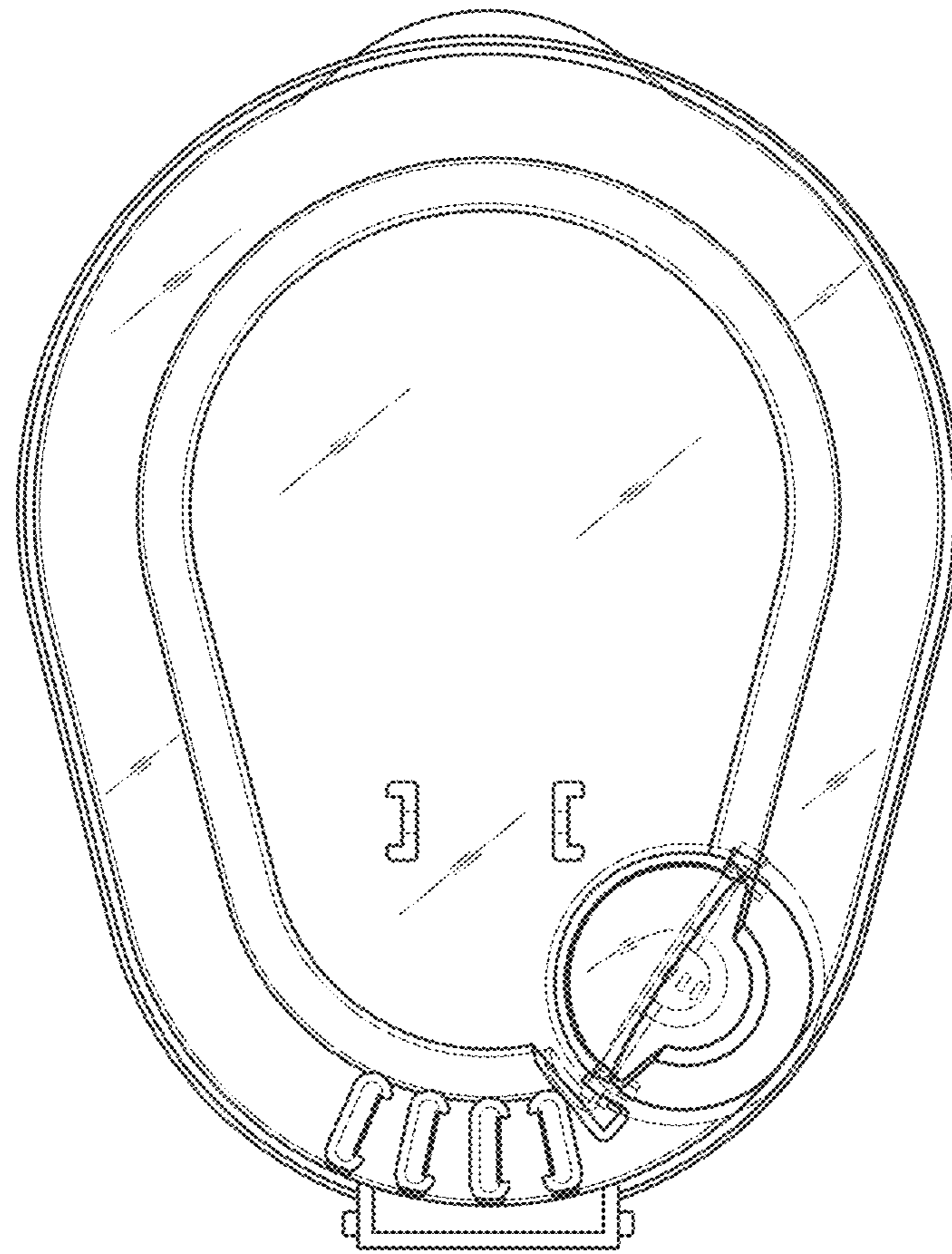


FIG. 7