



US00D927245S

(12) **United States Design Patent** (10) **Patent No.:** **US D927,245 S**
Peng (45) **Date of Patent:** **** Aug. 10, 2021**

(54) **GRINDING MACHINE**

FOREIGN PATENT DOCUMENTS

(71) Applicant: **Shenzhen Fangzhijie Technology Co., Ltd**, Shenzhen (CN)

CN 301430731 S 1/2011
CN 303146265 S 3/2015
CN 306184894 S 11/2020

(72) Inventor: **Hongwei Peng**, Shenzhen (CN)

(73) Assignee: **Shenzhen Fangzhijie Technology Co., Ltd**, Shenzhen (CN)

OTHER PUBLICATIONS

(**) Term: **15 Years**

Pipigo Coffee Grinder Electric Coffee Bean Grinder. Date First Available on Amazon.com Dec. 17, 2020. <https://www.amazon.com/Electric-Rechargeable-Removable-Stainless-Portable/dp/B08QTY8RRC/ref> (Year: 2020).*

(21) Appl. No.: **29/763,233**

Primary Examiner — Ricky Pham

(22) Filed: **Dec. 22, 2020**

(74) Attorney, Agent, or Firm — Andrew C. Cheng

(51) **LOC (13) Cl.** **31-00**

(52) **U.S. Cl.**
USPC **D7/372; D7/373; D7/376**

(58) **Field of Classification Search**
USPC D7/323, 372, 373, 376–386, 412–413, D7/602, 629, 665–666, 669, 679, D7/693–694

(57) **CLAIM**

I claim the ornamental design for a grinding machine, as shown and described.

CPC A21C 1/02; A21C 1/04; A23N 1/00; A23N 1/02; A47J 43/04; A47J 43/25; A47J 43/27; A47J 43/042; A47J 43/044; A47J 43/046; A47J 43/075; A47J 43/0722; A47J 43/0727; B01F 3/00; B01F 3/0807; B01F 3/0853; B01F 13/0059; B01F 13/0064; B02C 1/08; B02C 2/04; B02C 4/42; B02C 4/142; B02C 4/143; B02C 4/423; B02C 13/1835; B28C 5/10; B28C 5/12; B28C 5/14; B28C 5/16

DESCRIPTION

FIG. 1 is a first perspective view of a grinding machine showing my new design;
FIG. 2 is a second perspective view of FIG. 1, viewed in another aspect;
FIG. 3 is a first front view thereof;
FIG. 4 is a rear view thereof;
FIG. 5 is a left view thereof;
FIG. 6 is a right view thereof;
FIG. 7 is a top view thereof;
FIG. 8 is a bottom view thereof;
FIG. 9 is an exploded view of FIG. 1 thereof;
FIG. 10 is a third perspective view of FIG. 1, showing the grinding machine in a state of use; and,
FIG. 11 is a second front view of FIG. 3, showing the grinding machine in a state of use.
The broken line showing of the environment is for illustrative purposes only and forms no part of the claimed design.

See application file for complete search history.

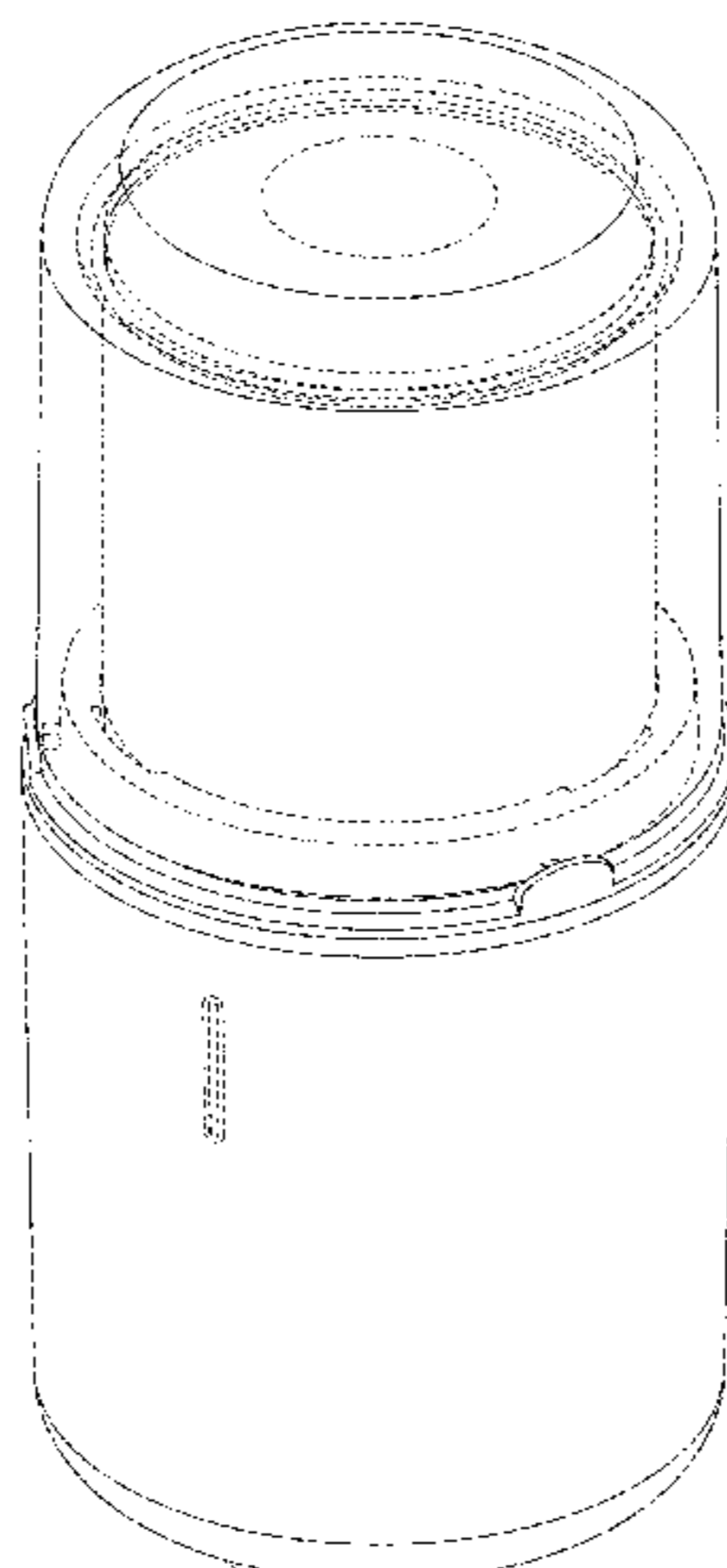
(56) **References Cited**

U.S. PATENT DOCUMENTS

D260,350 S * 8/1981 Kahlcke D7/378
D269,489 S * 6/1983 Akita D7/372
D303,482 S * 9/1989 Barrault D7/381
D339,716 S * 9/1993 Barrault D7/381
D346,526 S * 5/1994 Bannigan D7/323
D621,206 S * 8/2010 Matta D7/372
D629,642 S * 12/2010 Miller D7/372
D634,155 S * 3/2011 Duncan D7/373

(Continued)

1 Claim, 11 Drawing Sheets



(56)

References Cited

U.S. PATENT DOCUMENTS

D824,210 S *	7/2018	Kim	D7/378
D825,983 S *	8/2018	Kraemer	D7/373
D838,537 S *	1/2019	Kim	D7/378
D847,557 S *	5/2019	Kraemer	D7/373
D916,549 S *	4/2021	Li	D7/378

* cited by examiner

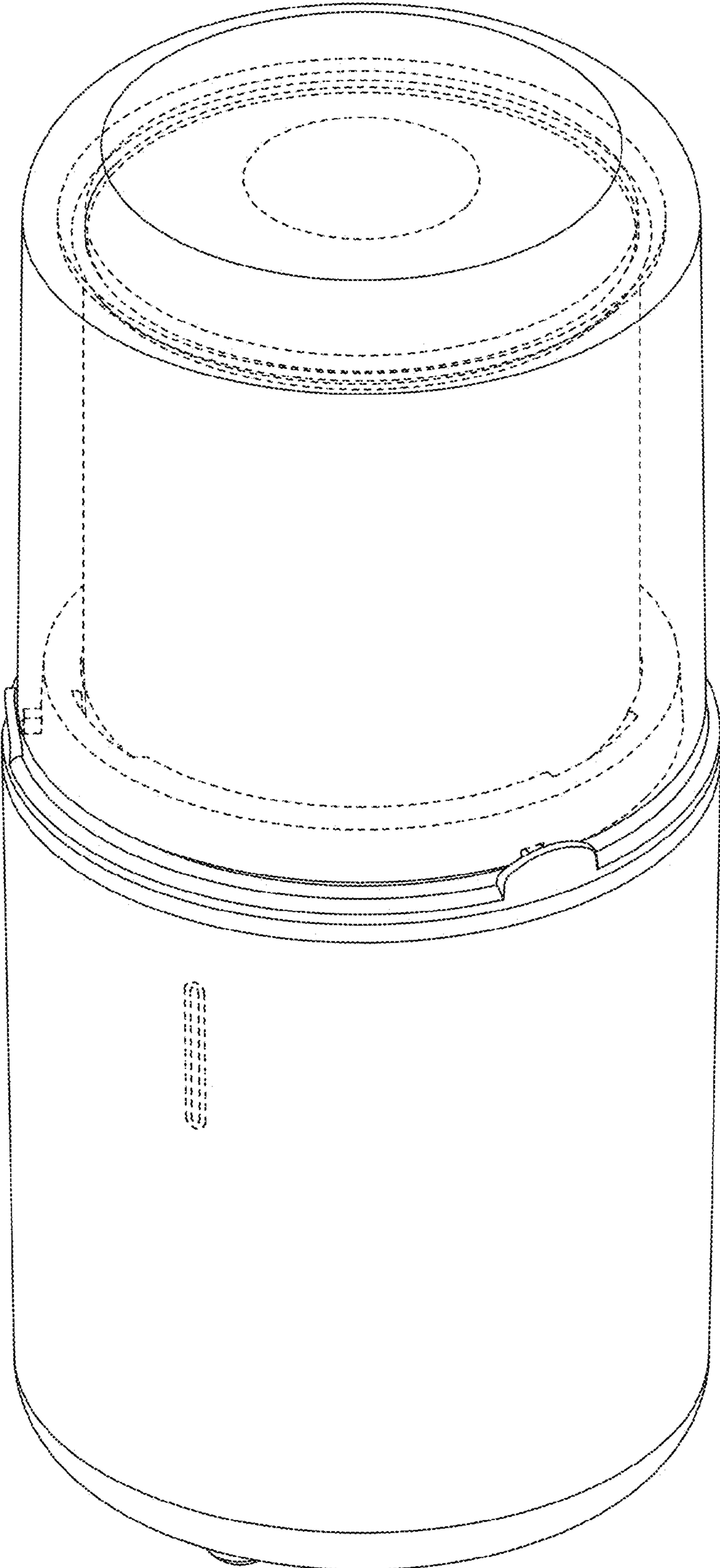


Fig. 1

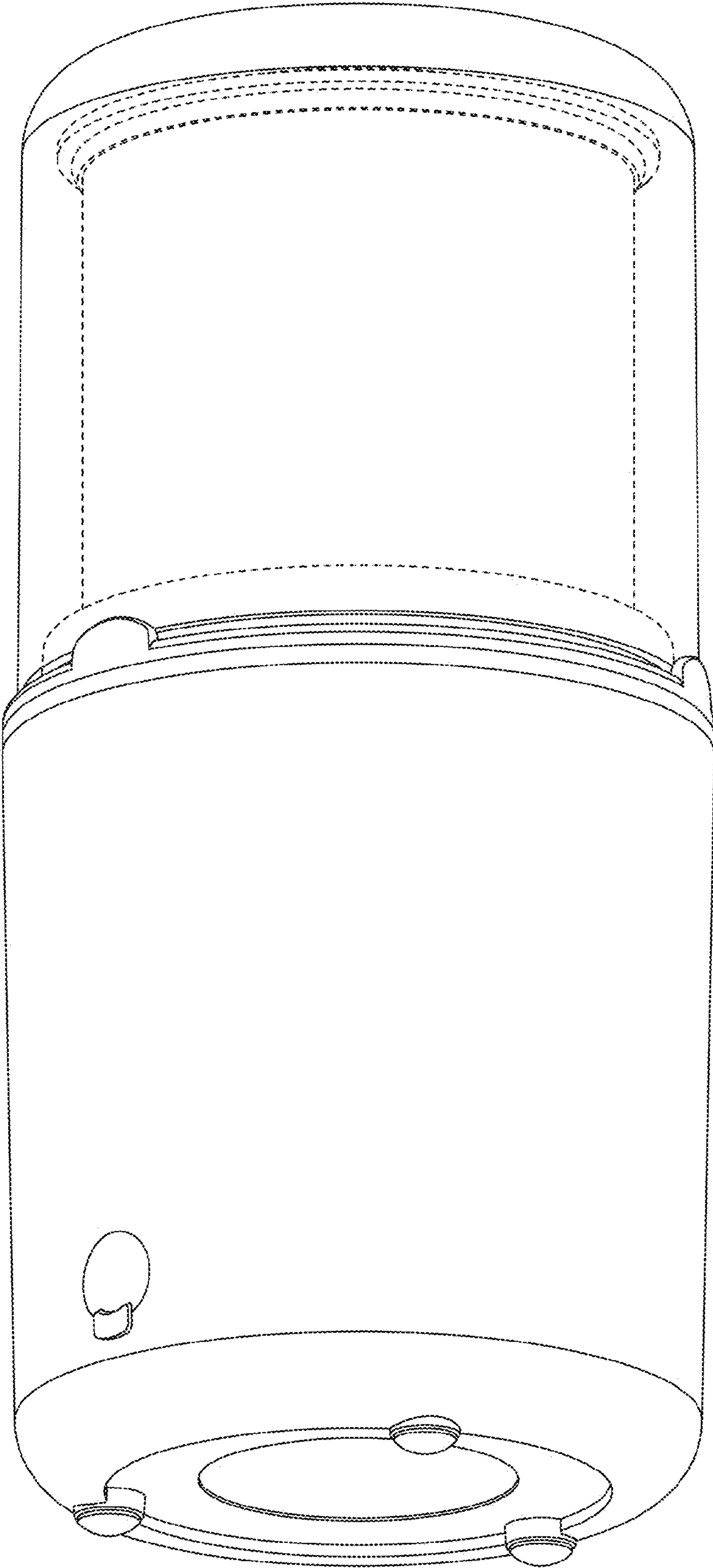


Fig. 2

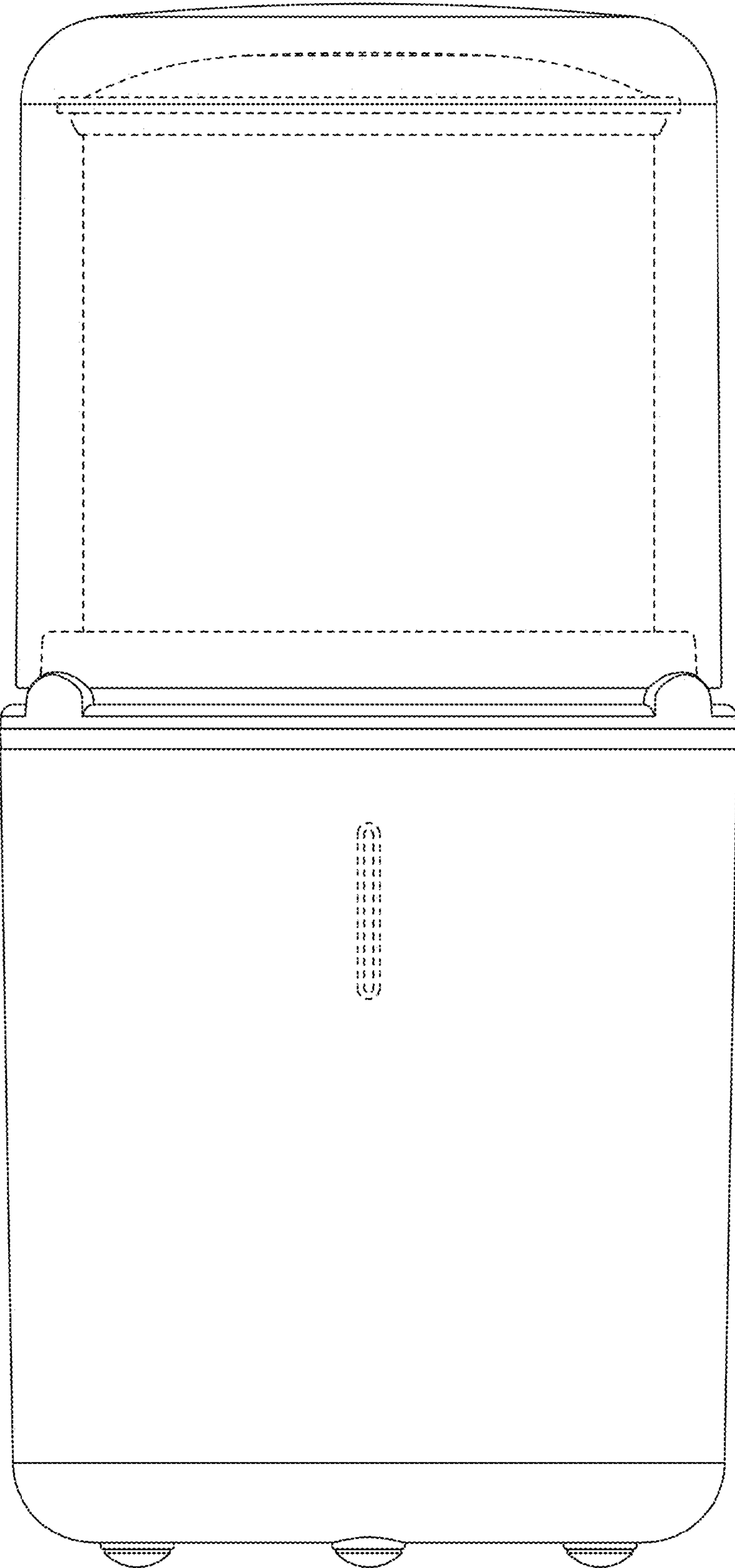


Fig. 3

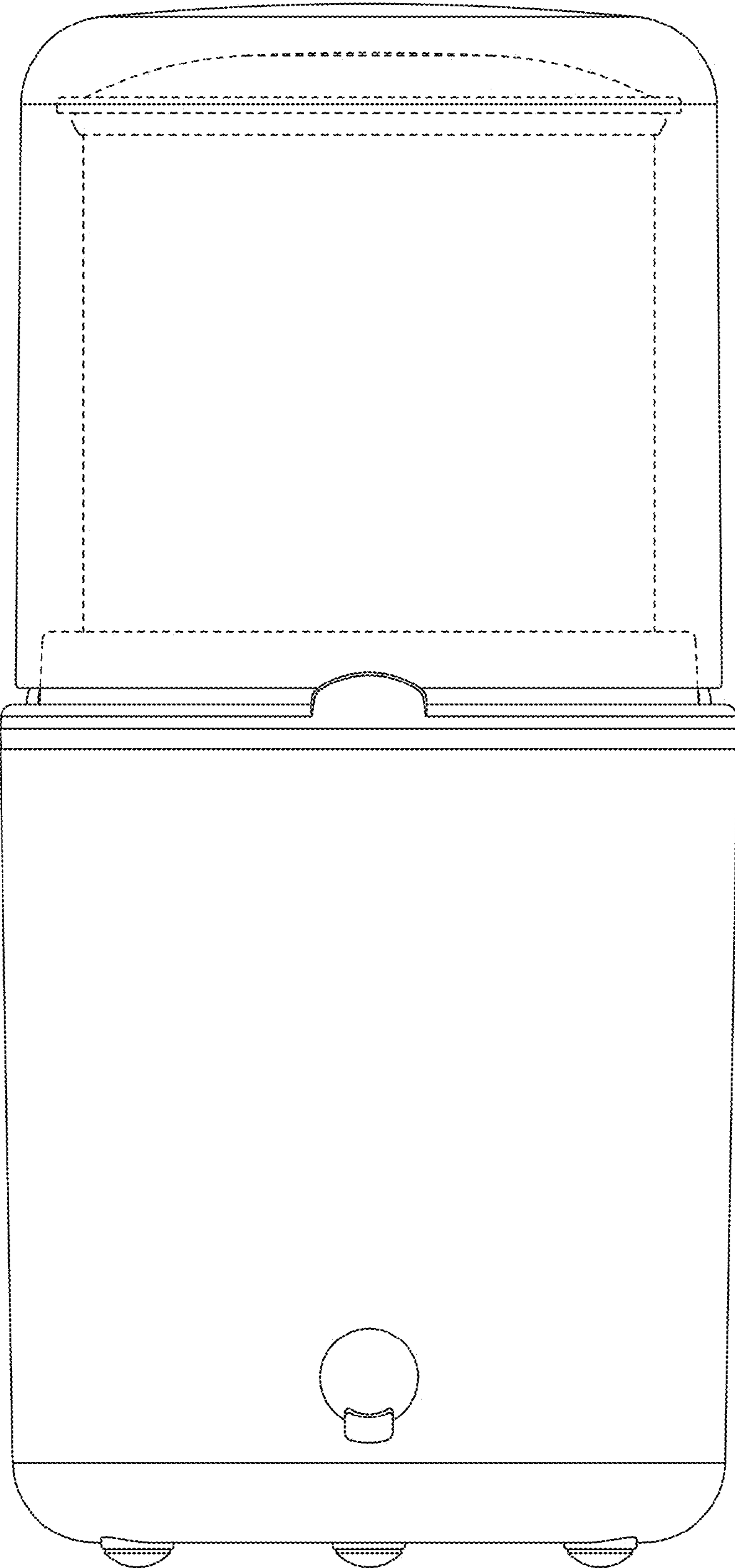


Fig. 4

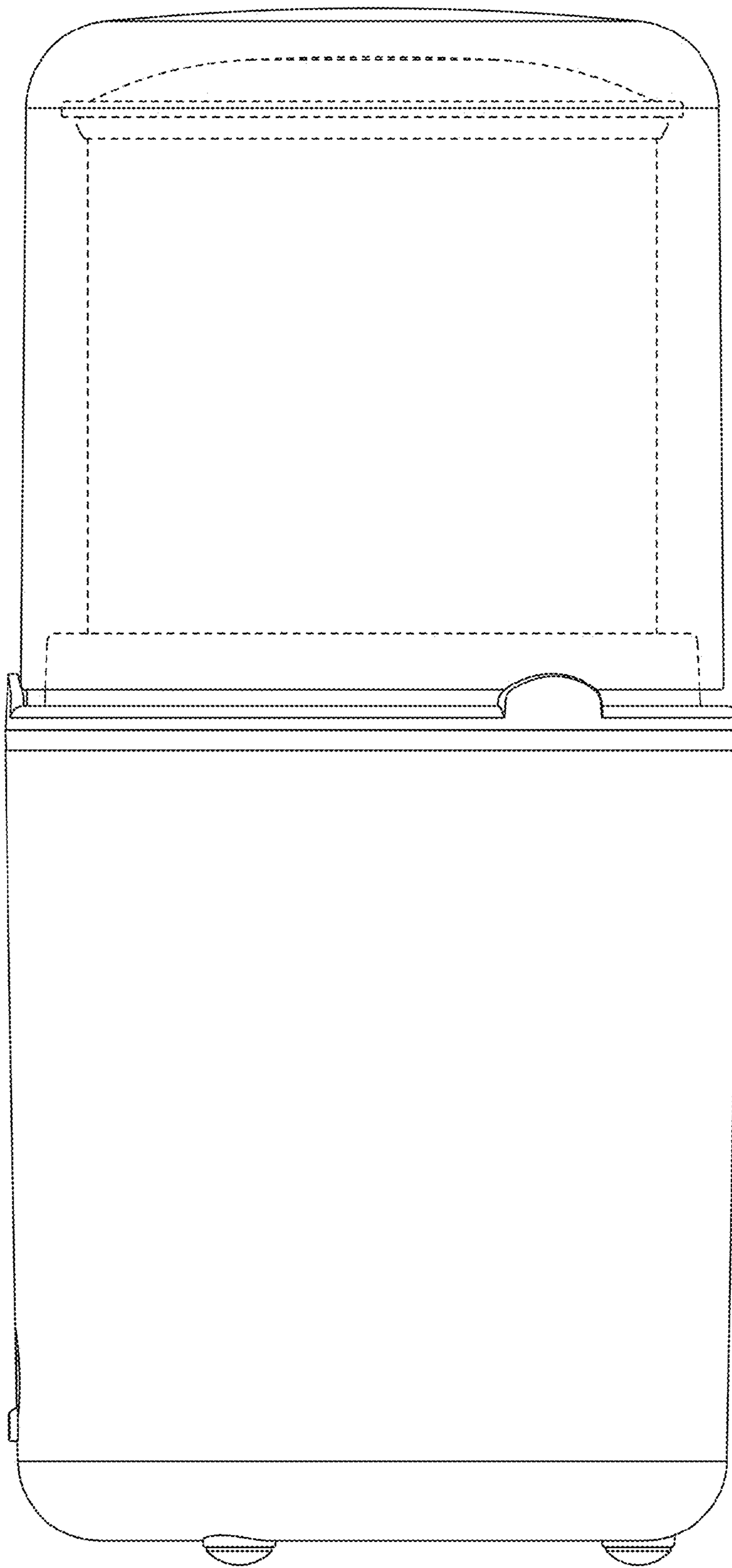


Fig. 5

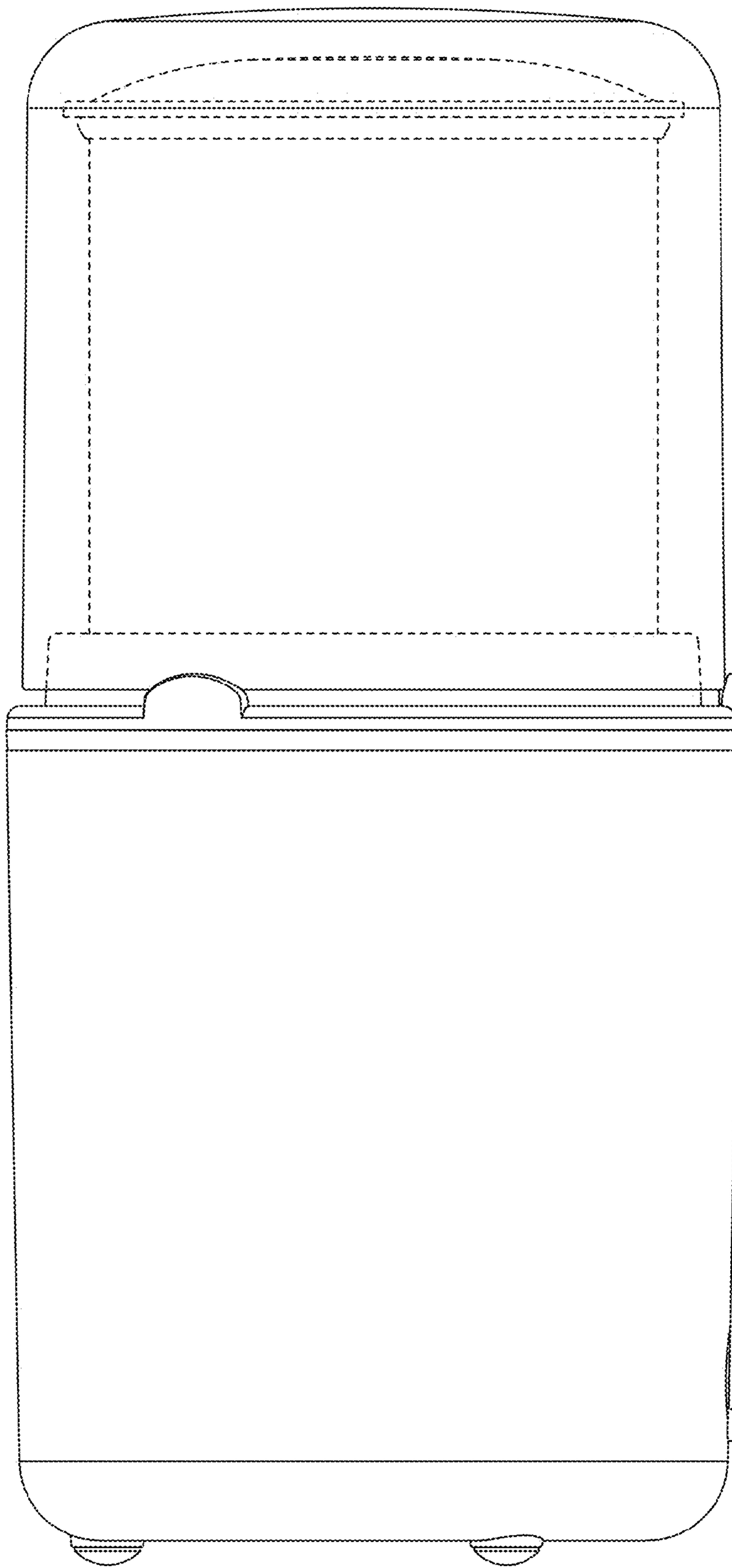


Fig. 6

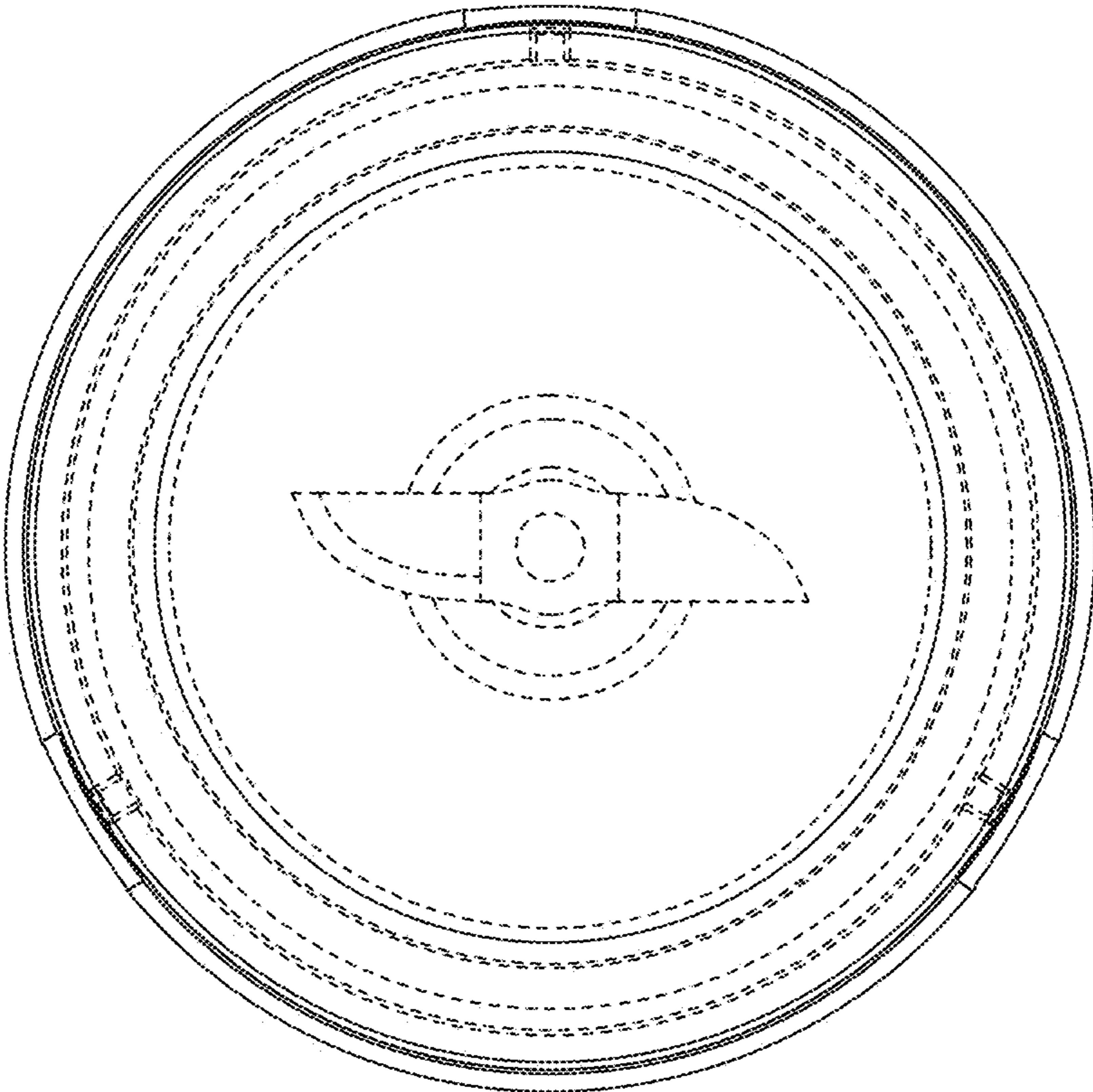


Fig. 7

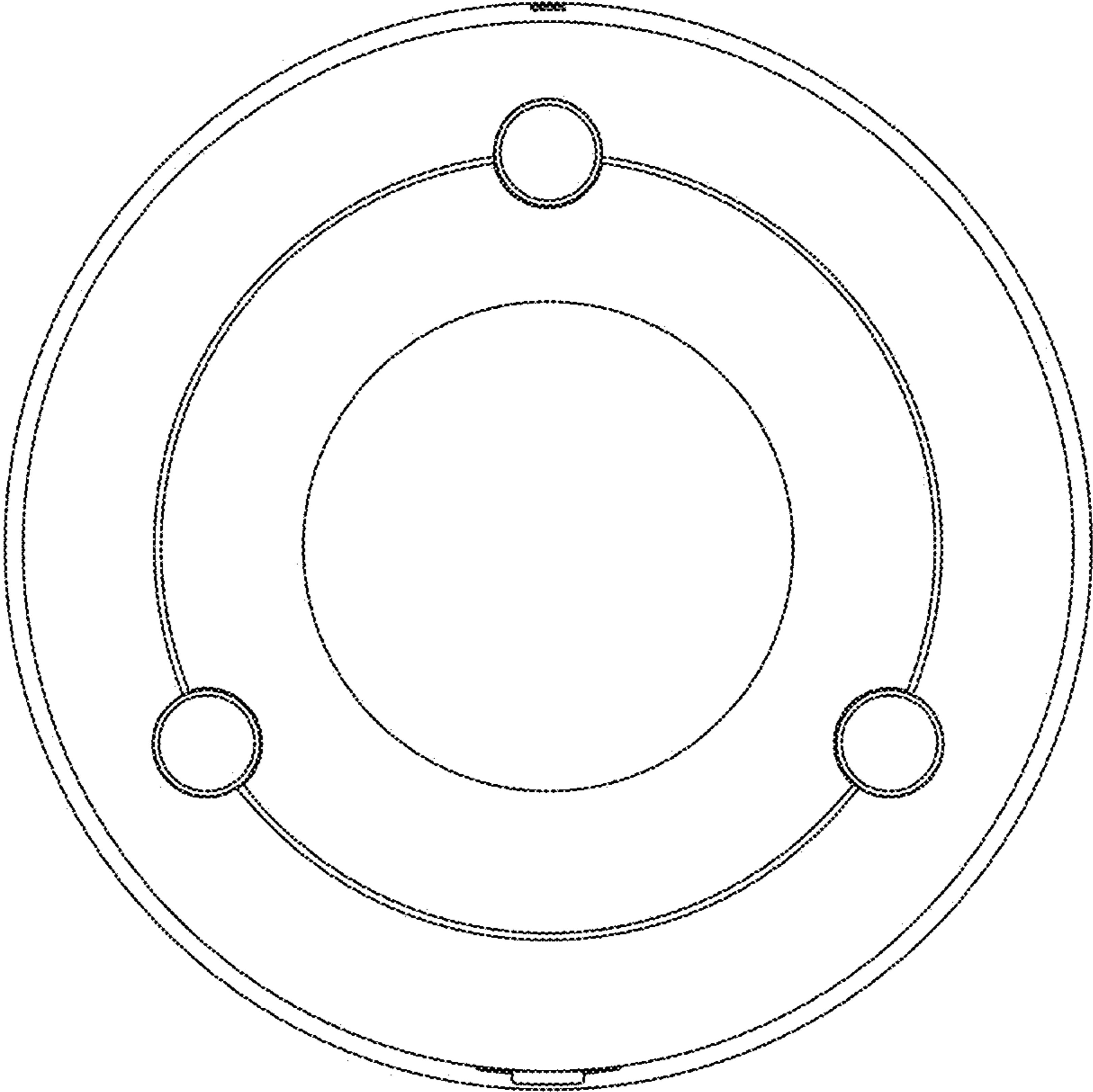


Fig. 8

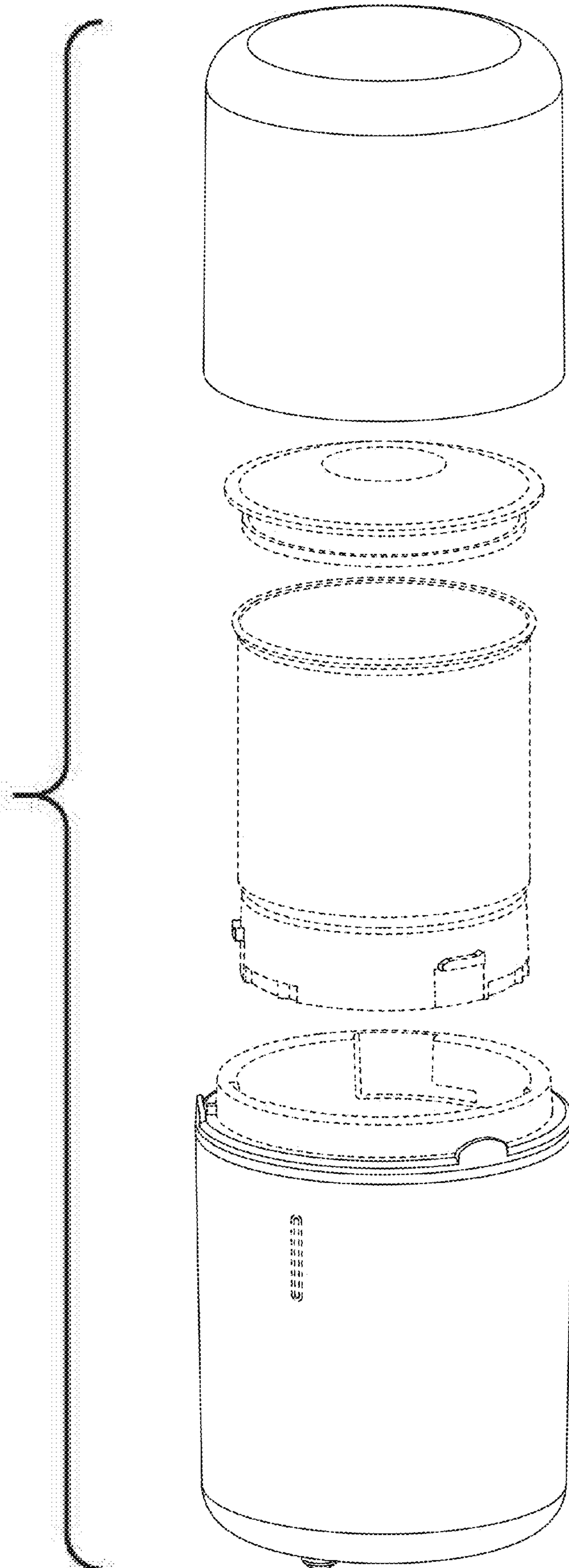


Fig. 9

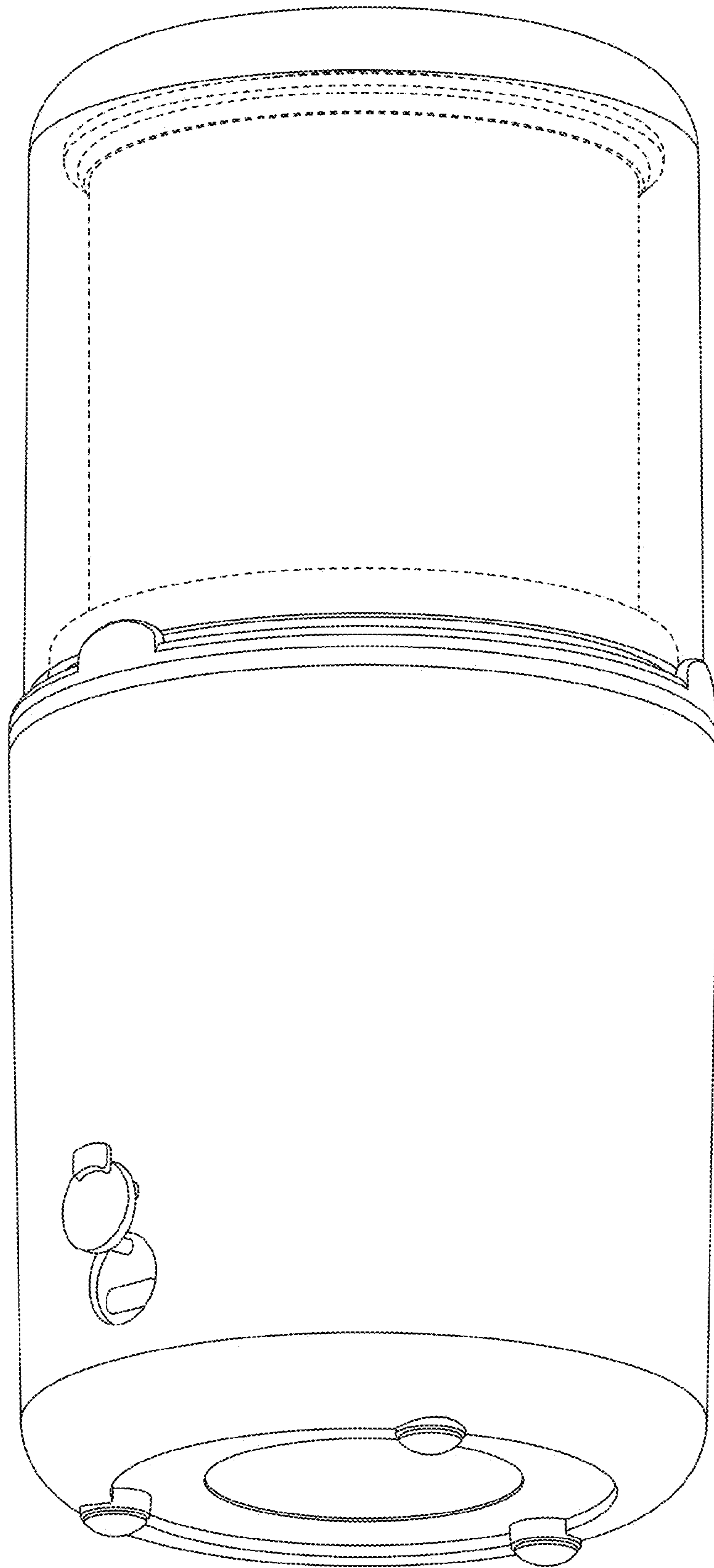


Fig. 10

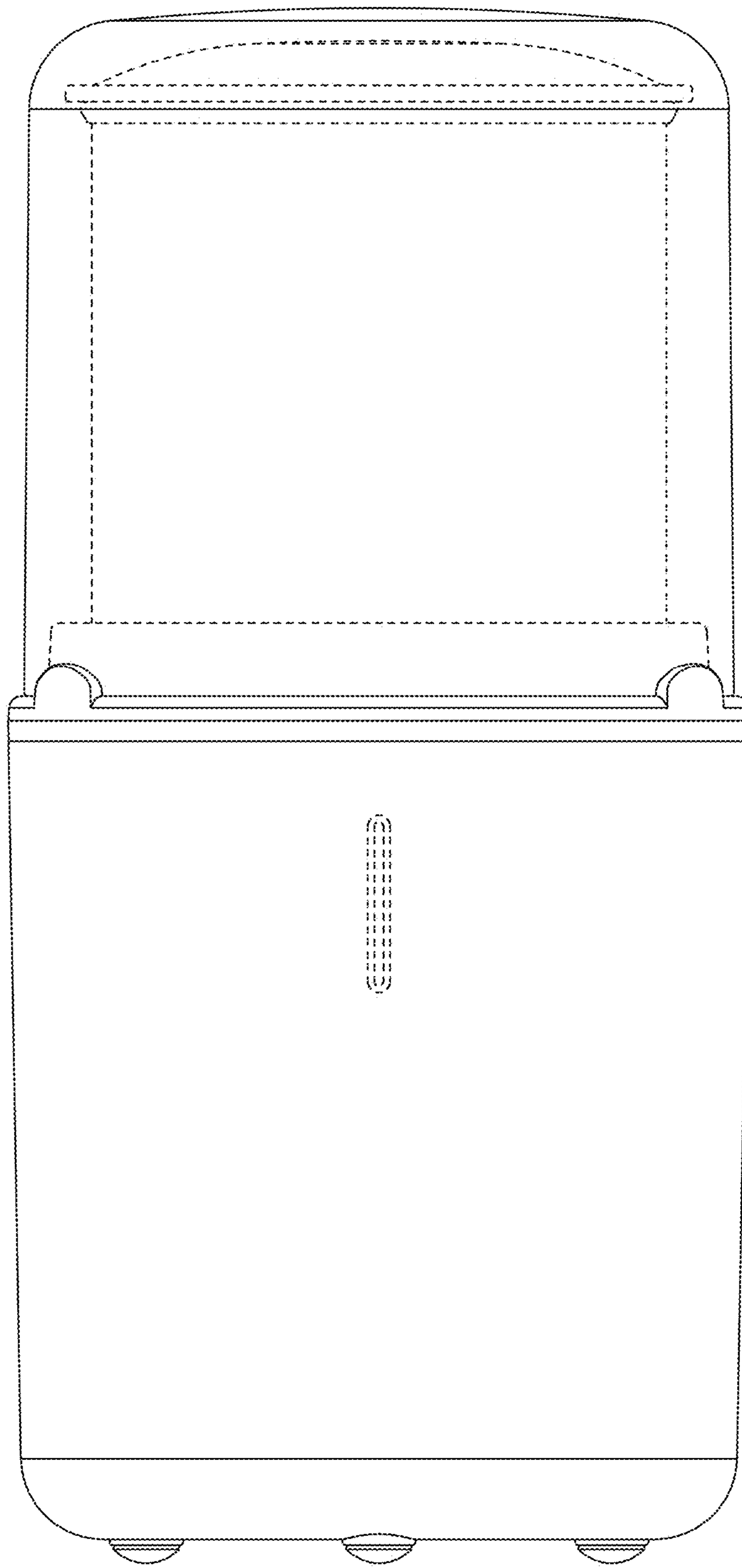


Fig. 11