



US00D927244S

(12) **United States Design Patent**
Carey et al.

(10) **Patent No.:** **US D927,244 S**
(45) **Date of Patent:** **** Aug. 10, 2021**

(54) **BEAN ROASTING DEVICE**

FOREIGN PATENT DOCUMENTS

(71) Applicant: **THE METAL WARE CORPORATION**, Two Rivers, WI (US)

FR 2744618 A1 * 8/1997 A47J 37/0763
WO WO-2005053484 A2 * 6/2005 A23N 12/125

(72) Inventors: **Richard Carey**, Manitowoc, WI (US);
Ross Niemi, Sheboygan, WI (US)

OTHER PUBLICATIONS

(73) Assignee: **THE METAL WARE CORPORATION**, Two Rivers, WI (US)

Coffee Bean Roaster, announced Dec. 11, 2019 [online], retrieved Dec. 2, 2020, retrieved from internet, https://www.wayfair.com/Nesco-Coffee-Bean-Roaster-CR0413-L966-K-NSO10061.html?refid=GX107983237586-NSO10061&device=c&ptid=836220260768&network=g&targetid=pla-836220260768&channel=GooglePLA&ireid=97669196&.*

(**) Term: **15 Years**

(Continued)

(21) Appl. No.: **29/713,447**

Primary Examiner — Dana K Weiland
Assistant Examiner — Messina L Smith

(22) Filed: **Nov. 15, 2019**

(74) *Attorney, Agent, or Firm* — Seager, Tufte & Wickhem LLP.

(51) **LOC (13) Cl.** **07-02**

(52) **U.S. Cl.**
USPC **D7/361**

(57) **CLAIM**

(58) **Field of Classification Search**

The ornamental design for a bean roasting device, as shown and described.

USPC D7/323, 337, 339, 340, 341, 346, 350.3, D7/352, 354, 355, 356, 357, 358, 359, D7/360, 361, 362, 363, 364, 365, 366, D7/367, 402, 403, 406, 407, 601, 305, D7/619.1, 620, 622, 624.1, 509, 523, 524, D7/533, 537, 538, 543
CPC A21B 1/06; A21B 1/50; A21B 1/52; A47J 37/04; A47J 37/06; A47J 37/015; A47J 37/067; A47J 37/0611; A47J 37/0629; A47J 37/0676; A47J 37/108; F24C 7/06; F24C 7/083; F24C 15/02; F24C 15/66; H05B 3/20; H05B 3/40

DESCRIPTION

See application file for complete search history.

FIG. 1 is a top perspective view of a bean roasting device, showing the new design;
FIG. 2 is a front view of the bean roasting device of FIG. 1;
FIG. 3 is a left side view of the bean roasting device of FIG. 1;
FIG. 4 is a right side view of the bean roasting device of FIG. 1;
FIG. 5 is a back view of the bean roasting device of FIG. 1;
FIG. 6 is a top view of the bean roasting device of FIG. 1; and,
FIG. 7 is a bottom view of the bean roasting device of FIG. 1.

(56) **References Cited**

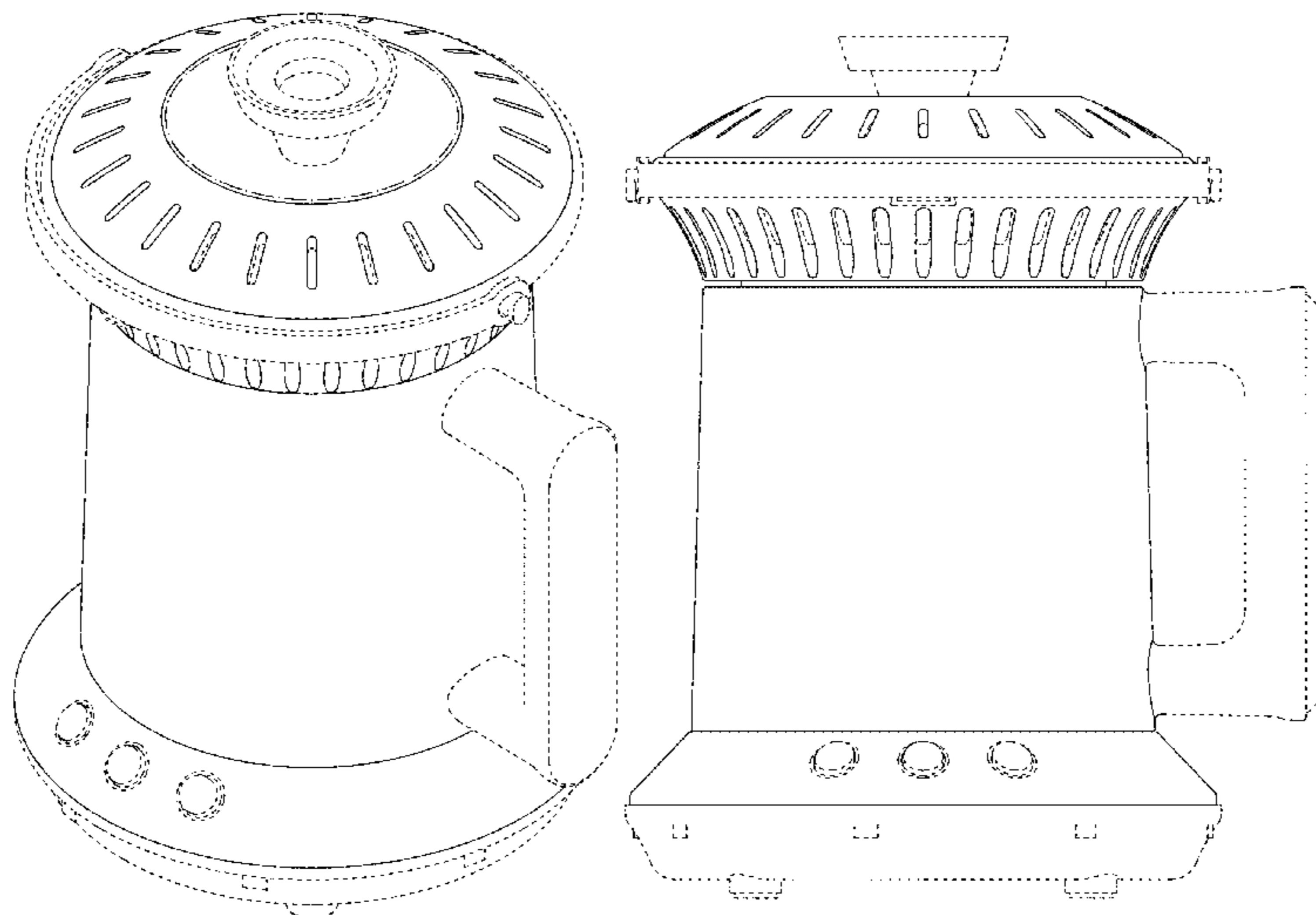
U.S. PATENT DOCUMENTS

D282,618 S * 2/1986 McBrien D7/310
6,135,012 A * 10/2000 Kao A47J 27/0802
219/453.11

The dashed lines in the drawings depict portions of the bean roasting device that form no part of the claimed design. The dash-dot-dash lines in the drawings indicate boundaries that form no part of the claimed design.

(Continued)

1 Claim, 7 Drawing Sheets



(56)

References Cited

U.S. PATENT DOCUMENTS

D448,235 S * 9/2001 Jørgensen D7/317
 D522,797 S * 6/2006 Dowst D7/337
 D552,922 S * 10/2007 Dallaire D7/354
 D585,238 S * 1/2009 Tseng D7/361
 D668,905 S * 10/2012 Lane D7/318
 D702,478 S * 4/2014 Wai D7/323
 D743,202 S * 11/2015 Sands D7/358
 D761,612 S * 7/2016 Darnell D7/354
 D776,973 S * 1/2017 Du D7/386
 D782,882 S * 4/2017 Haytayan D7/624.1
 D792,159 S * 7/2017 Gibson D7/533
 D793,152 S * 8/2017 Gushwa D7/384
 D818,304 S * 5/2018 Sandberg D7/361
 D820,630 S * 6/2018 De Palma D7/354
 D888,492 S * 6/2020 Liao D7/373
 D898,742 S * 10/2020 Kay D14/432
 2001/0036124 A1 * 11/2001 Rubenstein A47J 31/005
 366/205
 2003/0061942 A1 * 4/2003 Erickson A23N 12/083
 99/348
 2003/0207010 A1 * 11/2003 Moon A23N 12/08
 426/466
 2004/0187859 A1 * 9/2004 Tseng A47J 36/245
 126/246
 2010/0326284 A1 * 12/2010 Volz A47J 27/004
 99/323.1
 2017/0181577 A1 * 6/2017 Chang A47J 37/067

OTHER PUBLICATIONS

Nesco Coffee Roaster Review| Roasting Beans While in Quarantine, announced Apr. 14, 2020 [online], retrieved Dec. 2, 2020, retrieved from internet, <https://www.youtube.com/watch?v=pTGuNKqguZM&app=desktop>.*

NESCO, announced Mar. 4, 2020 [online], retrieved Dec. 2, 2020, retrieved from internet, https://www.amazon.com/NESCO-CR-04-13-Coffee-Roaster-Black/dp/B085HFWGJ3/ref=pd_sbs_79_7?_encoding=UTF8&pd_rd_i=B085HFWGJ3&pd_rd_r=2a981ff5-3afa-4c36-91f5-f0069c0f3d25&pd_rd_w=gyga3&pd_rd_wg=uQnP2&pf_rd_p=ed1e2146-ecfe-435e.*

Coffee Roaster, announced Dec. 8, 2020 [online], retrieved Dec. 2, 2020, retrieved from internet, https://www.amazon.com/dp/B08KW7NSKQ/ref=sspa_dk_detail_3?psc=1&pd_rd_i=B08KW7NSKQ&pd_rd_w=Cq6Q1&pf_rd_p=7d37a48b-2b1a-4373-8c1a-bdcc5da66be9&pd_rd_wg=iRZnG&pf_rd_r=P9N3QMDRMBEB2GEMDA71&pd_rd_r=27ebe009-e993-4b7.*

“Coffe Bean Roaster,” Google Image Search, 20 Pages, retrieved Feb. 14, 2020 (url).

* cited by examiner

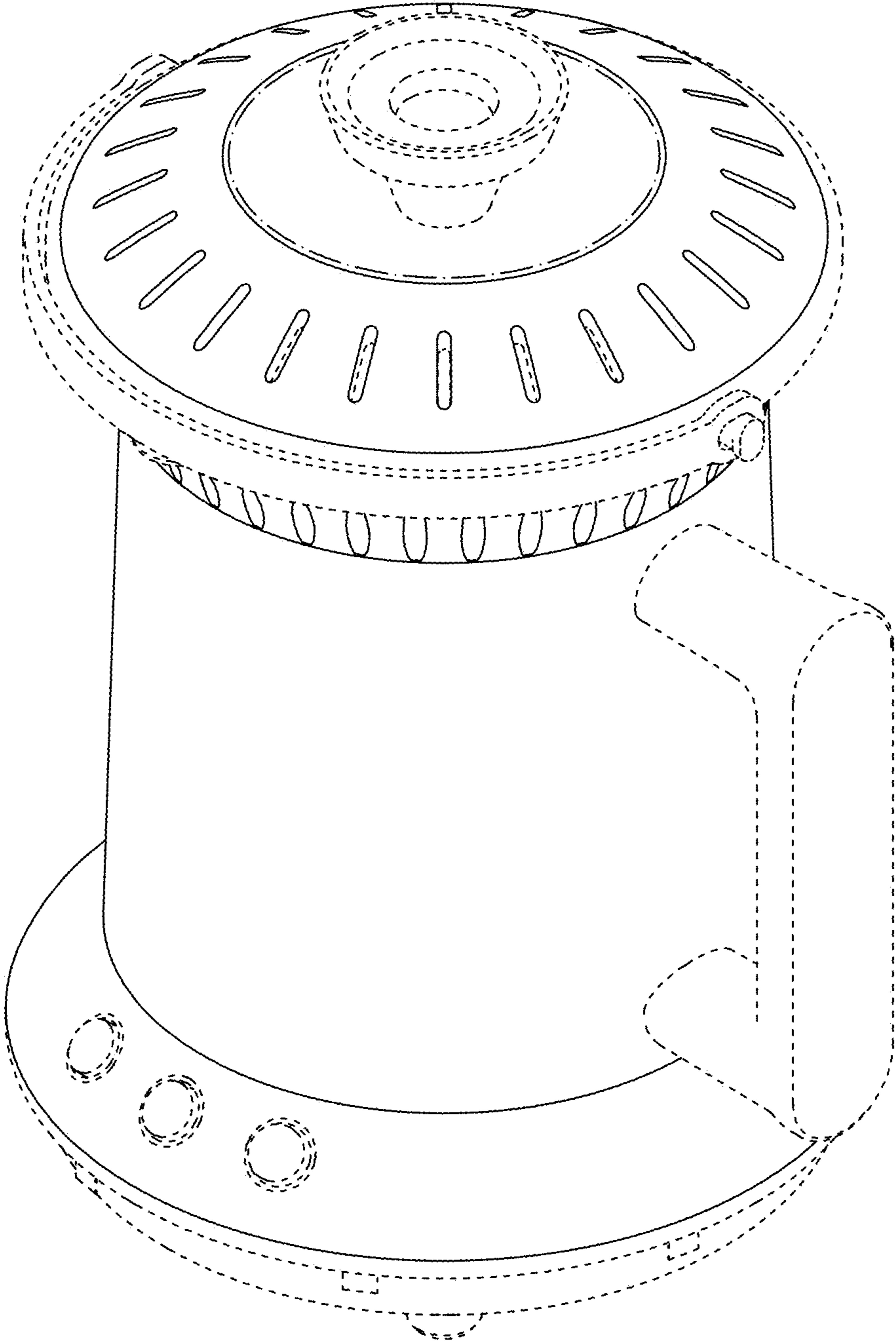


Figure 1

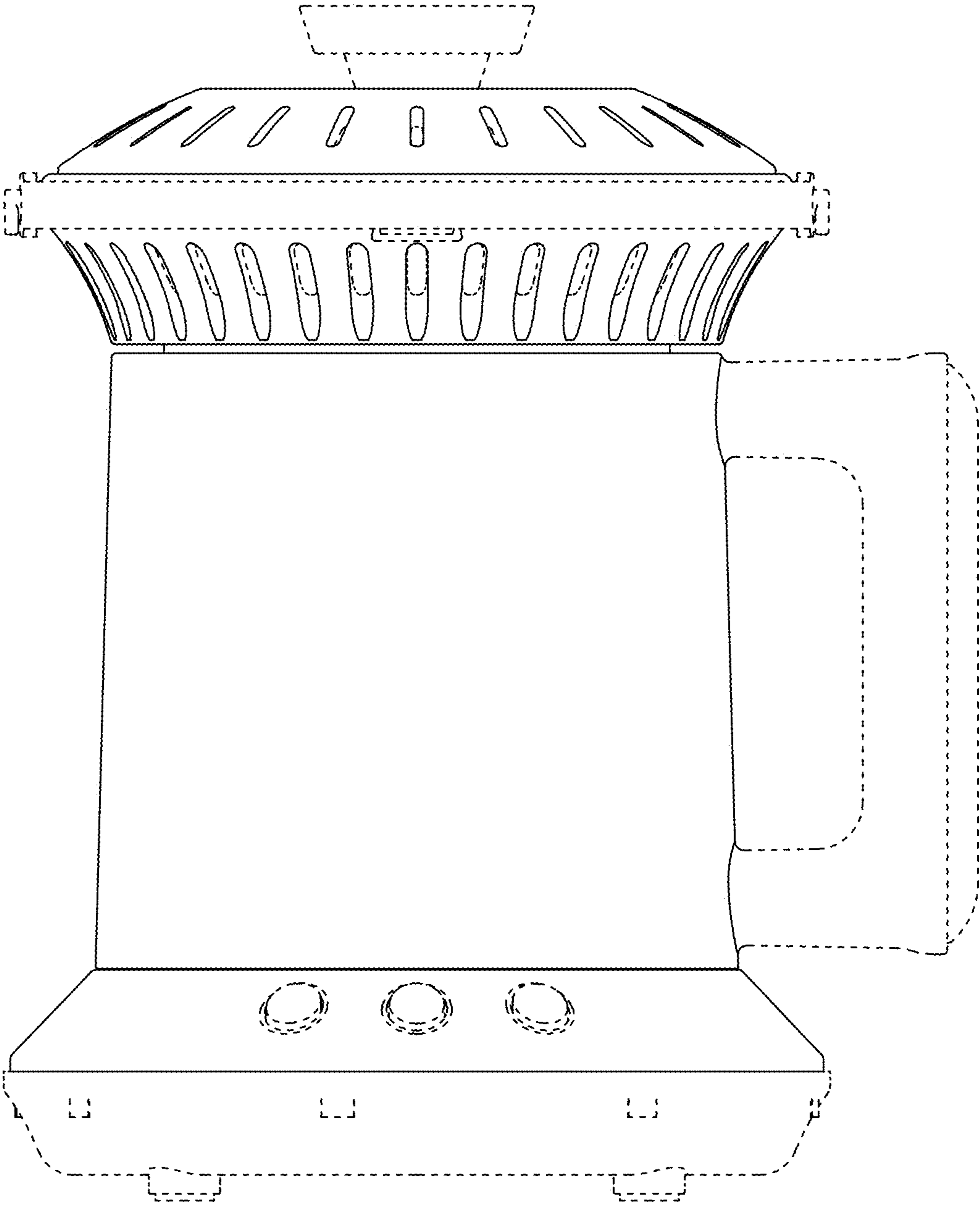


Figure 2

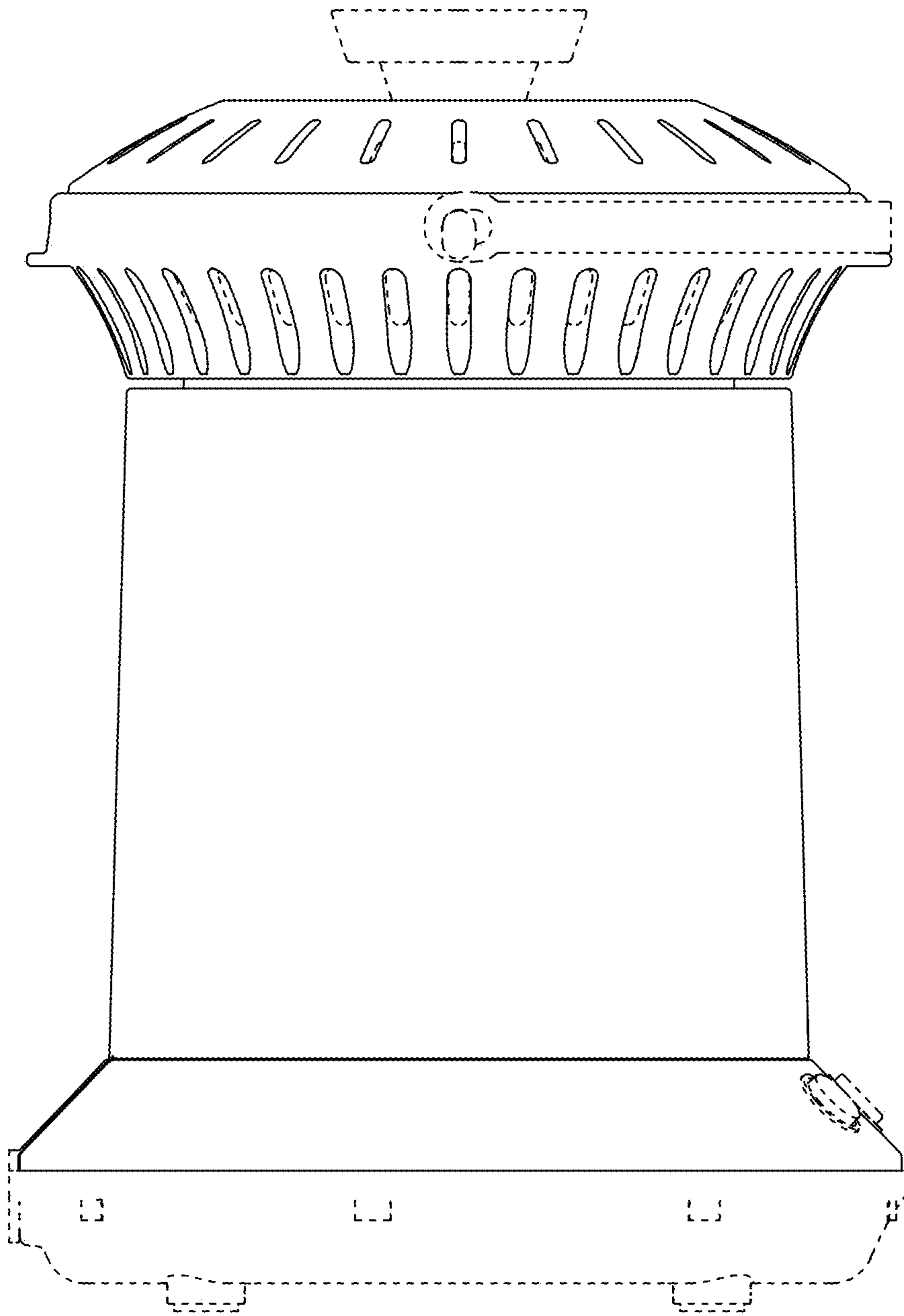


Figure 3

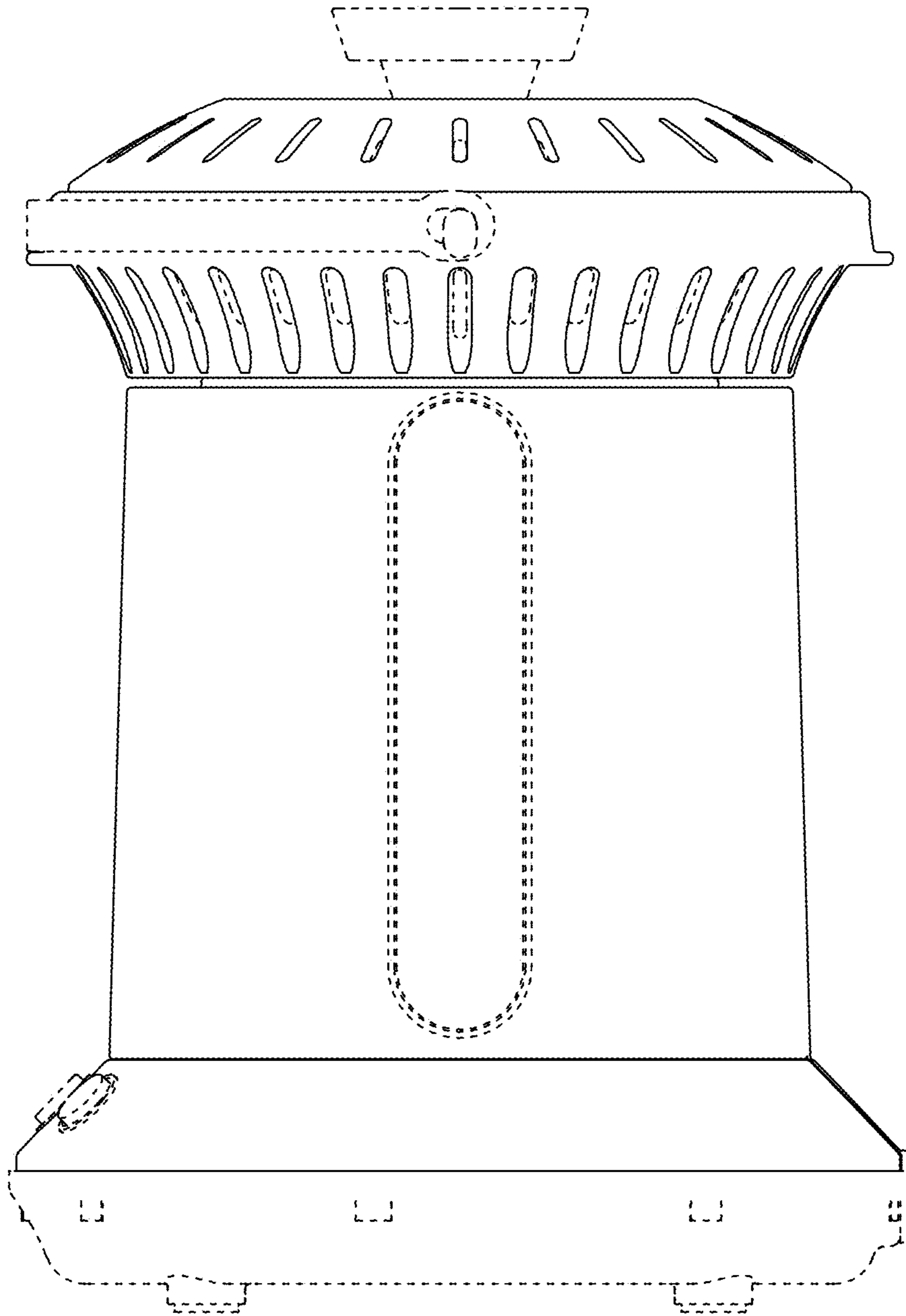


Figure 4

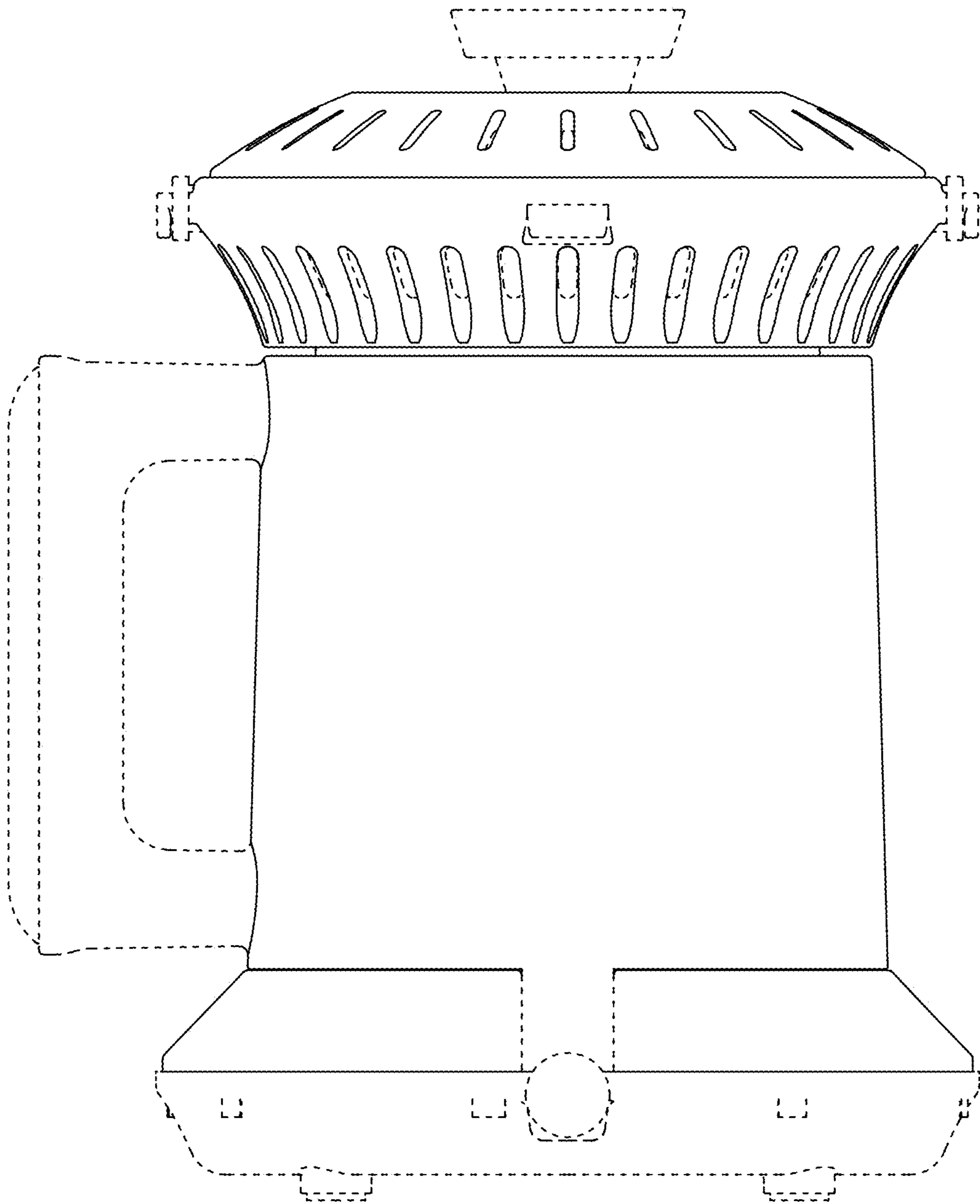


Figure 5

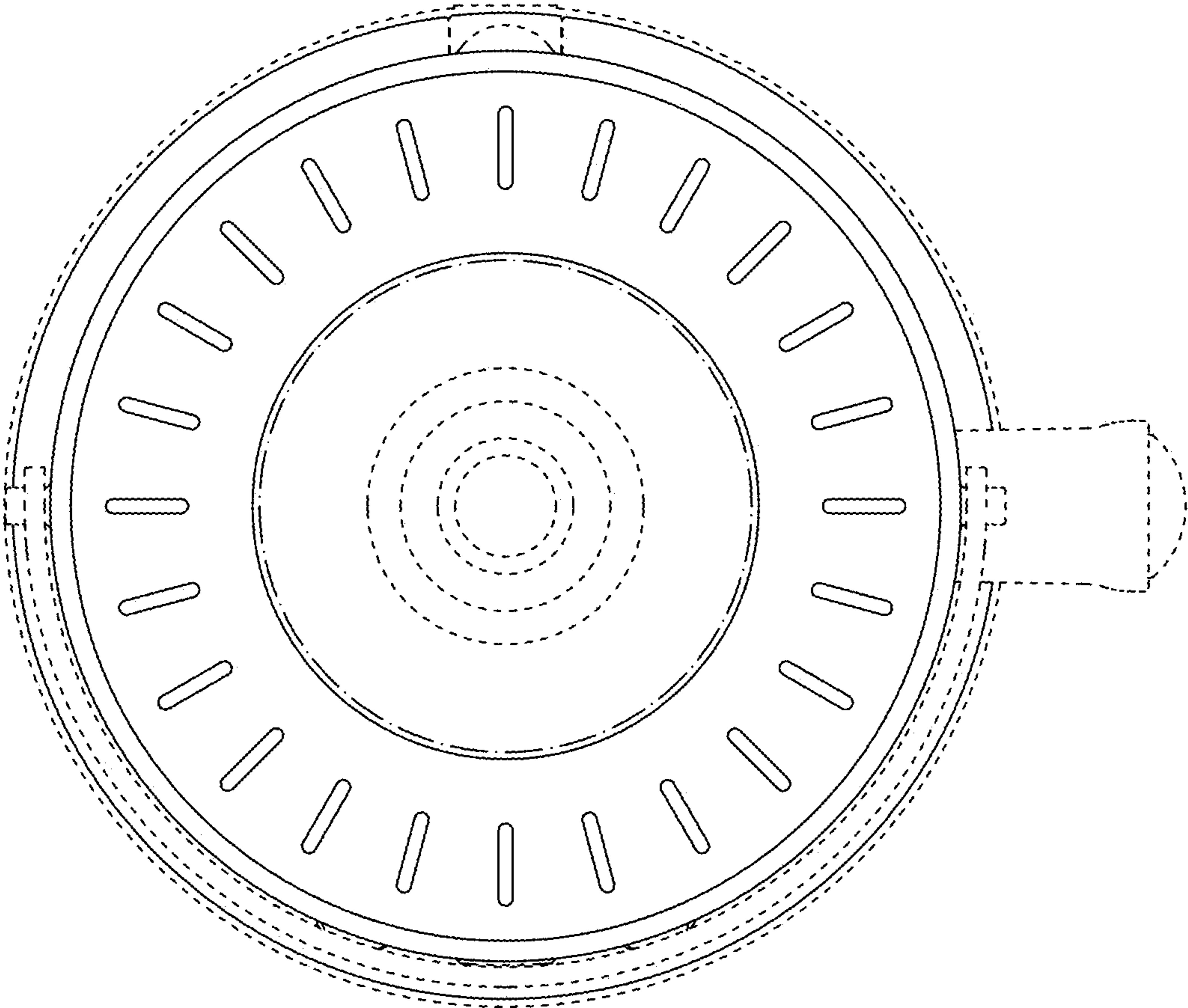


Figure 6

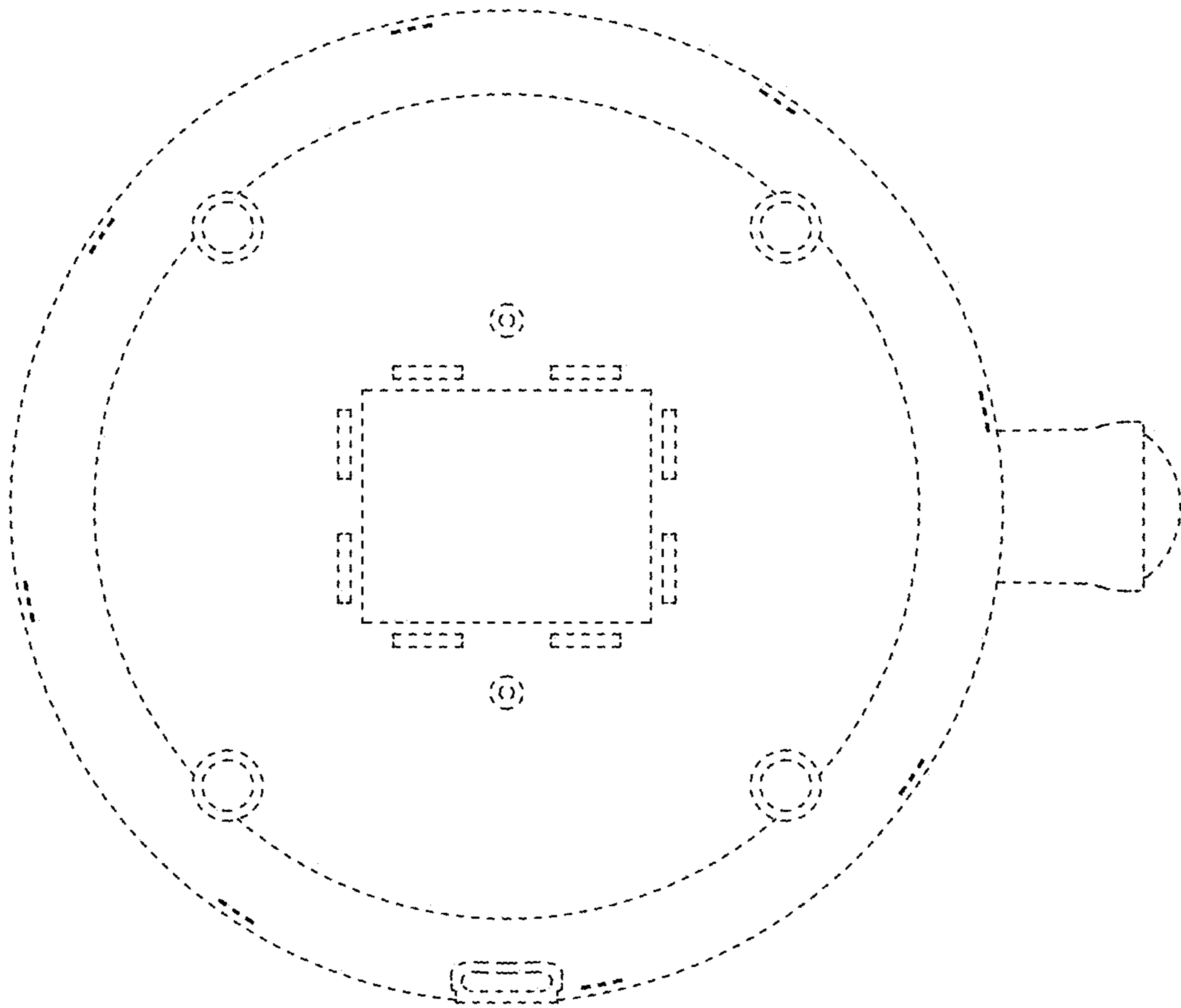


Figure 7