



US00D927243S

(12) **United States Design Patent**
Vermeer et al.

(10) **Patent No.:** **US D927,243 S**

(45) **Date of Patent:** **** Aug. 10, 2021**

(54) **COOKWARE**

(71) Applicant: **CANADIAN TIRE CORPORATION LIMITED**, Toronto (CA)

(72) Inventors: **Michael Vermeer**, Kitchener (CA);
Tim Sommerfeld, Kitchener (CA)

(73) Assignee: **CANADIAN TIRE CORPORATION LIMITED**

(**) Term: **15 Years**

(21) Appl. No.: **29/701,720**

(22) Filed: **Aug. 14, 2019**

(30) **Foreign Application Priority Data**

Feb. 15, 2019 (CA) CA 186108

(51) **LOC (13) Cl.** **07-02**

(52) **U.S. Cl.**
USPC **D7/361**

(58) **Field of Classification Search**

USPC D7/323, 338, 352, 354, 355, 356, 357,
D7/358, 359, 360, 361, 362, 363, 364,
D7/365, 366, 367, 402, 407, 409;
D9/736, 749, 755, 758, 760, 456
CPC .. A21B 3/00; A21B 3/13; A21B 3/131; A21B
3/132; A21B 3/135; A21B 3/136; A21B
3/137; A21B 3/15; A21B 5/00; A21B
5/02; A21B 5/04; A47J 27/00; A47J
36/00; A47J 36/02; A47J 36/06; A47J
36/16; A47J 36/24; A47J 36/022; A47J
36/027; A47J 37/00; A47J 37/01; A47J
37/04; A47J 37/06; A47J 37/10; A47J
37/07; A47J 37/0781; A47J 43/20

See application file for complete search history.

(56) **References Cited**

U.S. PATENT DOCUMENTS

5,388,732 A * 2/1995 Greger A47J 36/08
210/467
D407,600 S * 4/1999 LoGiudice D7/395

D439,108 S * 3/2001 LoGiudice D7/395
D444,347 S * 7/2001 LoGiudice D7/395
D491,016 S * 6/2004 Rae D7/395
D537,672 S * 3/2007 Hoenstein D7/361
D552,925 S * 10/2007 Kloppsteck D7/361
D587,062 S * 2/2009 Ek D7/354
D589,744 S * 4/2009 Rae D7/395
D592,452 S * 5/2009 Tetreault D7/395

(Continued)

OTHER PUBLICATIONS

Gotham Steel 9.5 Ultra Nonstick Ceramic Copper Coating, announced Dec. 1, 2015 [online], retrieved Oct. 2, 2020, retrieved from internet, https://www.amazon.com/dp/B018T909XG/ref=as_li_ss_tl?ie=UTF8&linkCode=ll1&tag=fsmarfa-20&linkId=7597eff86f751a676e725a77b22b85c4.*

(Continued)

Primary Examiner — Dana K Weiland

Assistant Examiner — Messina L Smith

(74) *Attorney, Agent, or Firm* — Lorelei G. Graham

(57) **CLAIM**

The ornamental design for a cookware, as shown in described.

DESCRIPTION

FIG. 1 is an isometric view of the cookware showing the new design.

FIG. 2 is a top view thereof;

FIG. 3 is a bottom view thereof;

FIG. 4 is a right side view thereof;

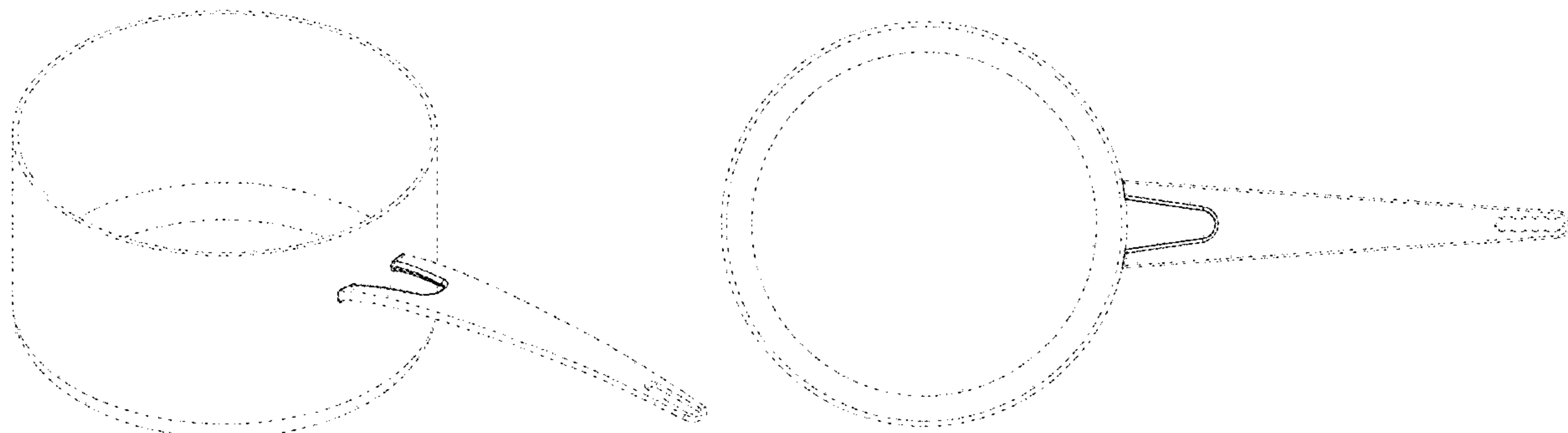
FIG. 5 is a left side view thereof;

FIG. 6 is a front view thereof; and,

FIG. 7 is a rear view thereof.

The design is shown in solid lines in the drawings. The broken lines shown in the drawings depict portions of the cookware that form no part of the claimed design.

1 Claim, 4 Drawing Sheets



(56)

References Cited

U.S. PATENT DOCUMENTS

D603,211 S * 11/2009 Ek D7/354
 D618,495 S * 6/2010 Welk D7/361
 D658,004 S * 4/2012 Rae D7/395
 D664,390 S * 7/2012 Shen D7/395
 D720,177 S * 12/2014 Genatossio D7/361
 D729,570 S * 5/2015 Barberi D7/395
 D730,685 S * 6/2015 Barberi D7/395
 D746,099 S * 12/2015 Pallotto D7/354
 D753,429 S * 4/2016 Cloutier D7/325
 D757,488 S * 5/2016 McConnell D7/395
 D809,337 S * 2/2018 Chen D7/395
 D822,434 S * 7/2018 Ma D7/402
 D880,233 S * 4/2020 Hollinger D7/401.2
 D888,490 S * 6/2020 Li D7/354
 2009/0188925 A1 * 7/2009 Ek A47J 36/08
 220/573.1
 2013/0037553 A1 * 2/2013 Bourbeau A47J 45/061
 220/573.1

2014/0197186 A1 * 7/2014 Smith A47J 36/00
 220/735
 2015/0083711 A1 * 3/2015 Moon A47J 27/002
 219/621
 2016/0066743 A1 * 3/2016 Prommel A47J 36/08
 220/573.1

OTHER PUBLICATIONS

Cuisinart Chef's Classic Non-Stick Hard Anodized, announced Sep. 2, 2016 [online], retrieved Oct. 2, 2020, <https://www.amazon.com/Cuisinart-66-17N-Classic-Non-Stick-Anodized/dp/B01LFDA3ZC/?tag=morningchores-20>.
 Cuisinart Chef's Classic Nonstick Hard-Anodized 1-1/2-Quart Saucepan with Lid, announced Mar. 18, 2004 [online], retrieved Oct. 2, 2020, https://www.amazon.com/Cuisinart-619-16-Nonstick-Hard-Anodized-Saucepan/dp/B0001LO5EK/ref=psdc_289827_t1_B0001LO5EU.

* cited by examiner

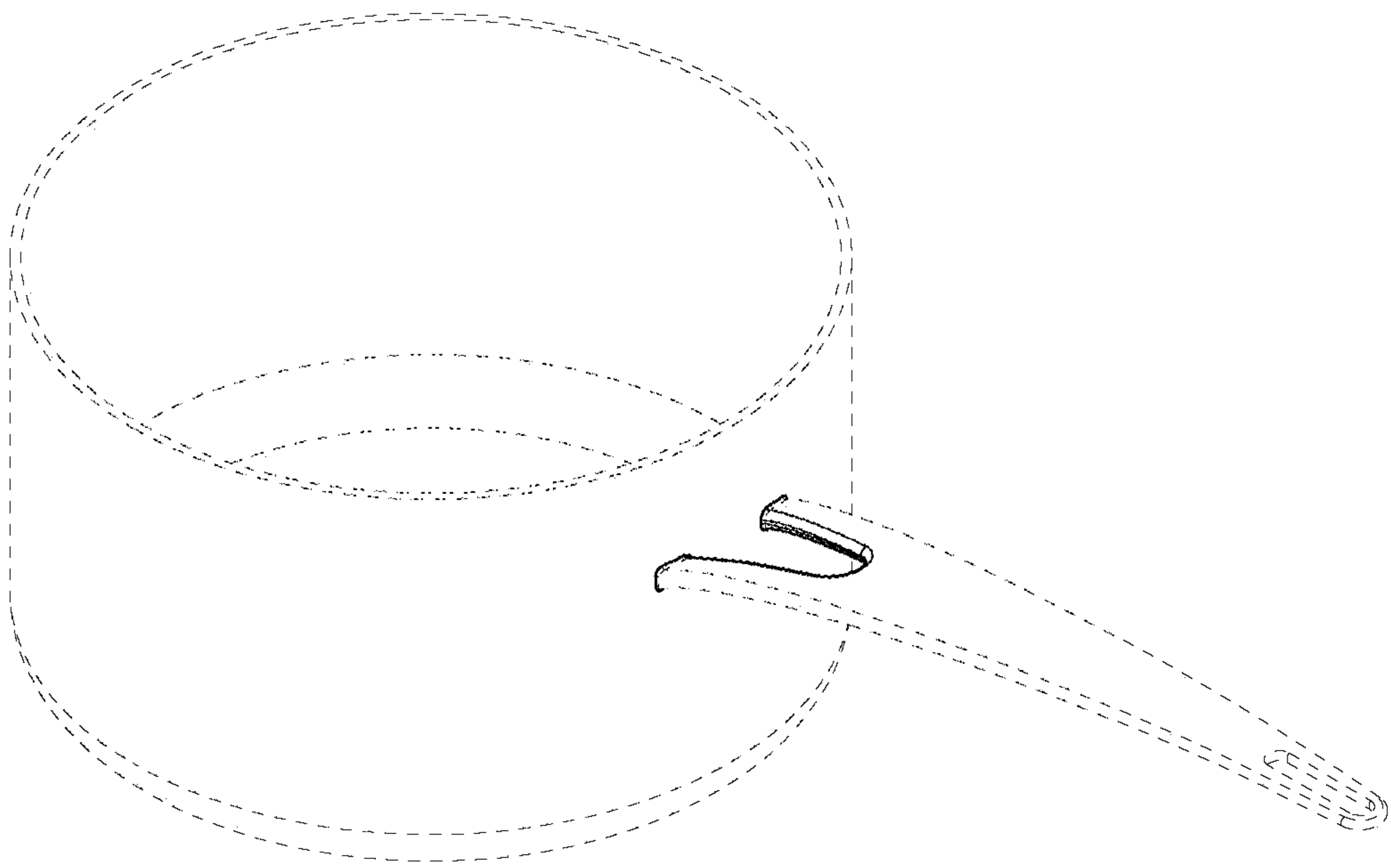


FIG. 1

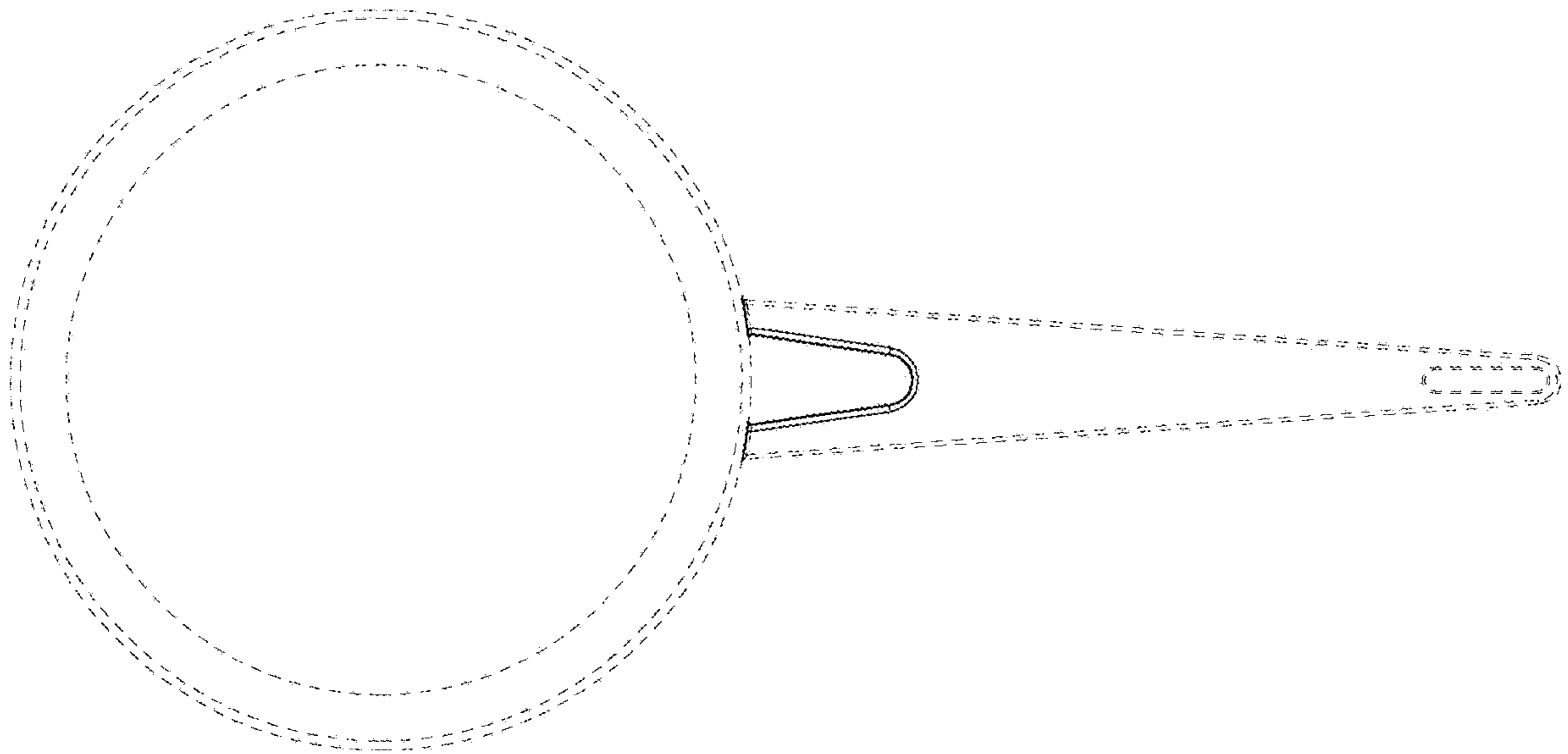


FIG. 2

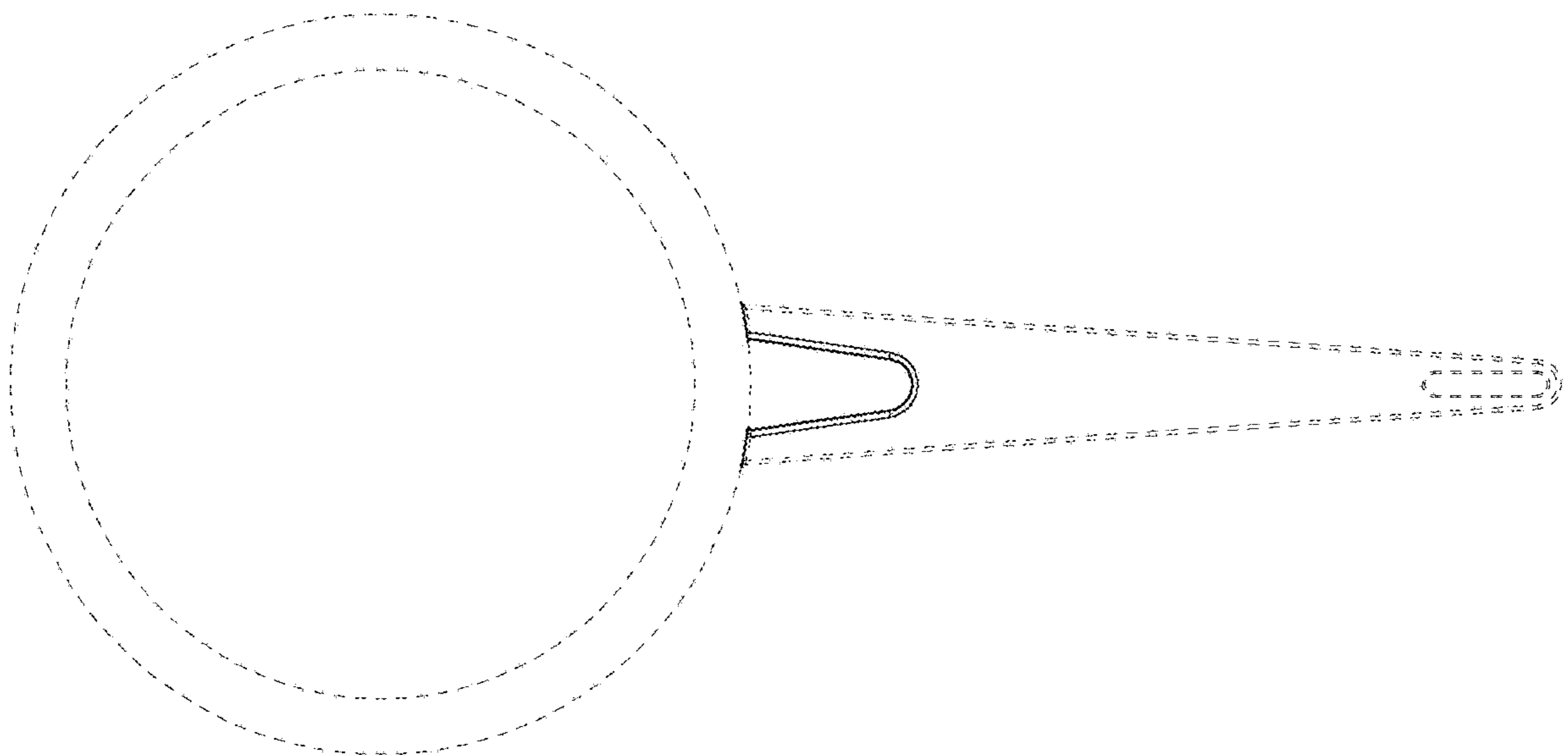


FIG. 3

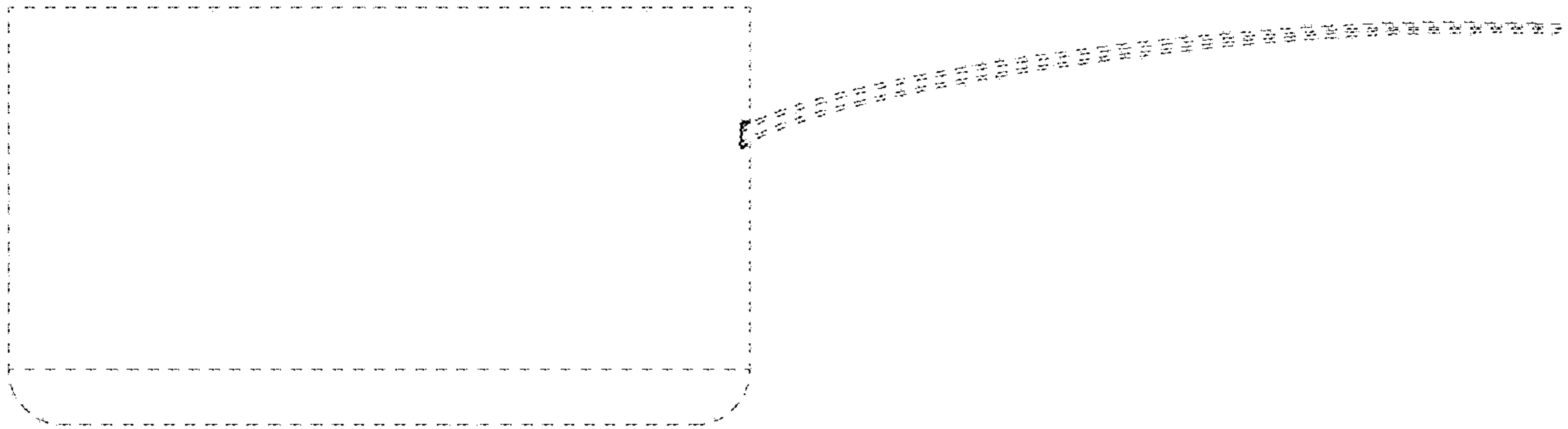


FIG. 4

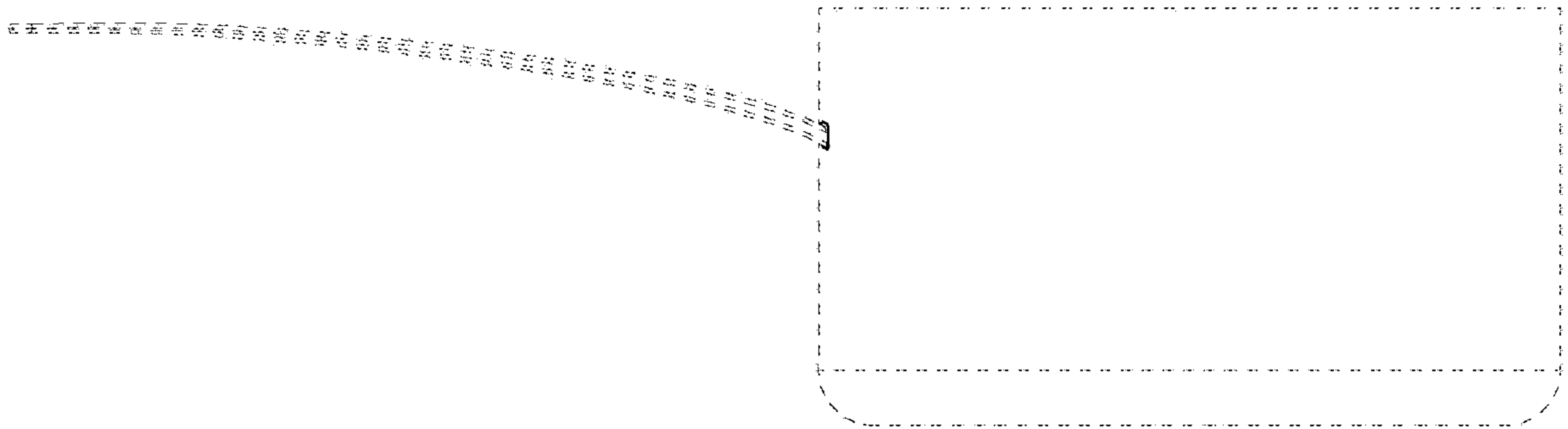


FIG. 5



FIG. 6

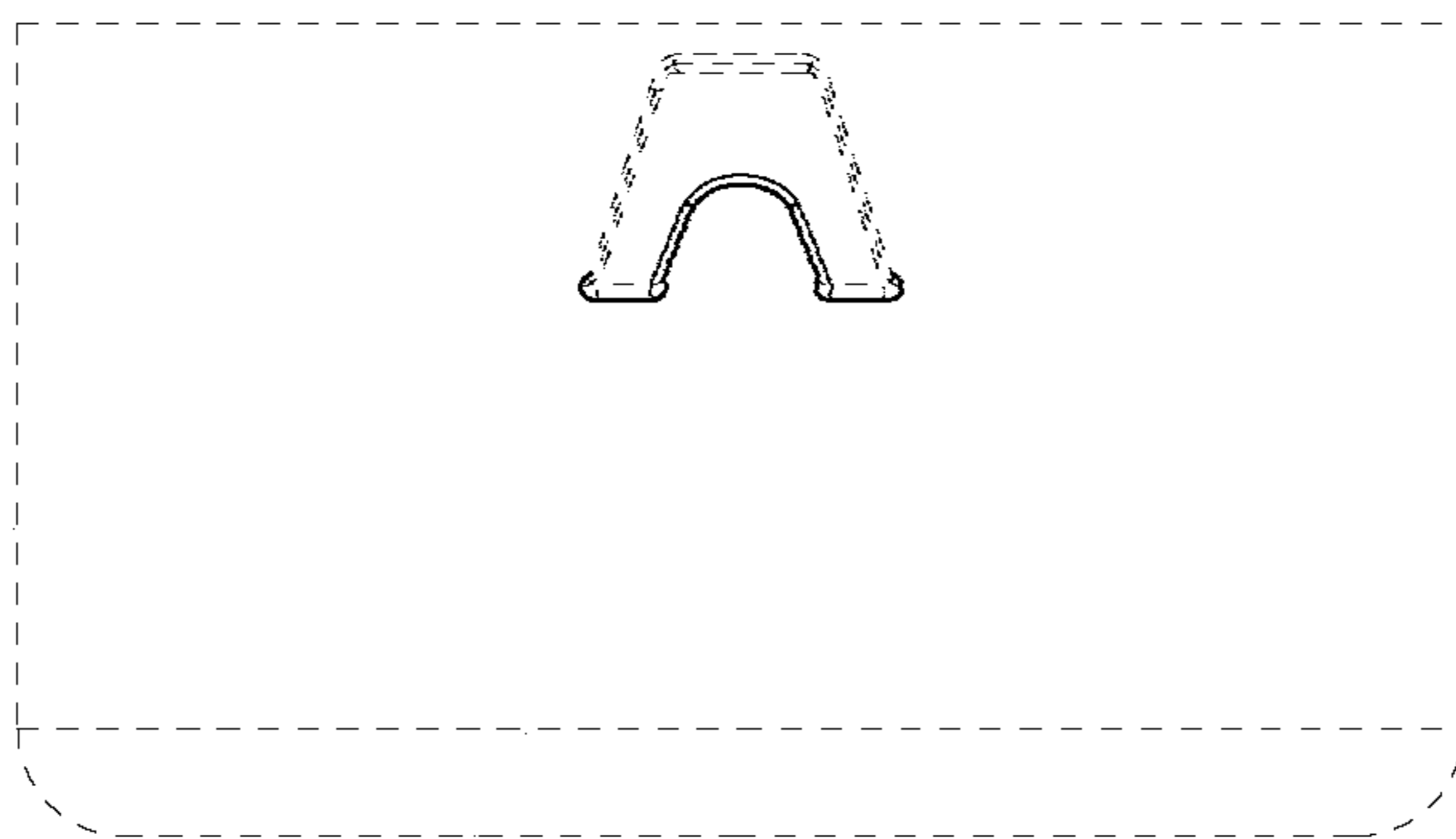


FIG. 7