



US00D927240S

(12) **United States Design Patent**  
**Kang**

(10) **Patent No.:** **US D927,240 S**

(45) **Date of Patent:** **\*\* Aug. 10, 2021**

(54) **OVEN**

(71) Applicant: **AIRWIN GROUP HK LIMITED,**  
Hong Kong (HK)

(72) Inventor: **ZuoTian Kang,** Guangdong (CN)

(\*\*) Term: **15 Years**

(21) Appl. No.: **29/771,953**

(22) Filed: **Feb. 26, 2021**

(30) **Foreign Application Priority Data**

Nov. 16, 2020 (CN) ..... 202030691975.X

(51) **LOC (13) Cl.** ..... **07-03**

(52) **U.S. Cl.**  
USPC ..... **D7/348**

(58) **Field of Classification Search**  
USPC ..... D7/348  
CPC ..... A21B 1/00; A47J 36/06  
See application file for complete search history.

(56) **References Cited**

**U.S. PATENT DOCUMENTS**

- D646,112 S \* 10/2011 Park ..... D7/348
- D664,388 S \* 7/2012 Park ..... D7/348
- D764,854 S \* 8/2016 Kim ..... D7/349
- D781,636 S \* 3/2017 Kim ..... D7/348
- D786,611 S \* 5/2017 Funnell, II ..... D7/348
- D829,485 S \* 10/2018 Morenstein ..... D7/350.1
- D858,172 S \* 9/2019 Moore ..... D7/348
- D874,866 S \* 2/2020 Carcano ..... D7/348

- D881,632 S \* 4/2020 Ye ..... D7/348
- D903,398 S 12/2020 Bhogal et al.
- D911,093 S \* 2/2021 Man ..... D7/350.4
- D912,457 S \* 3/2021 Miller ..... D7/350.1
- D913,028 S \* 3/2021 Wong ..... D7/350.4

\* cited by examiner

*Primary Examiner* — Charles D Hanson

(57) **CLAIM**

The ornamental design for an oven, as shown and described.

**DESCRIPTION**

FIG. 1 is a front and top perspective view of an oven, showing my new design;  
 FIG. 2 is a rear and bottom perspective view thereof;  
 FIG. 3 is a front elevation view thereof;  
 FIG. 4 is a rear elevation view thereof;  
 FIG. 5 is a left side elevation view thereof;  
 FIG. 6 is a right side elevation view thereof;  
 FIG. 7 is a top plan view thereof;  
 FIG. 8 is a bottom plan view thereof; and,  
 FIG. 9 is an enlarged view of a portion labeled, 'FIG. 9' in FIG. 1.

The dashed broken lines in the figures illustrate portions of the article that form no part of the claimed design. The dash dot dash lines in FIGS. 1 and 9 are for the purpose of depicting the cut line of the enlarged view and form no part of the claim.

**1 Claim, 9 Drawing Sheets**

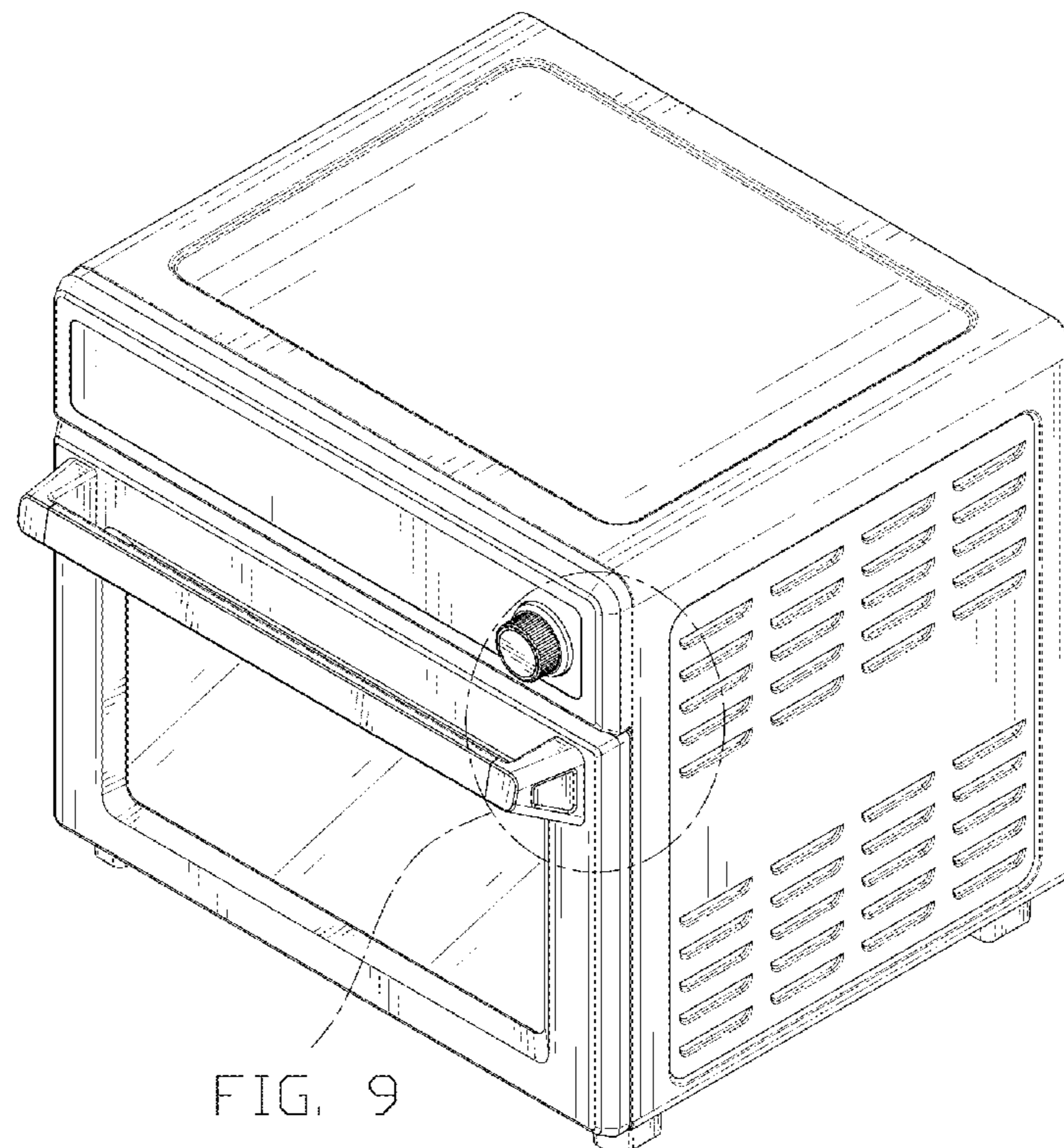


FIG. 9

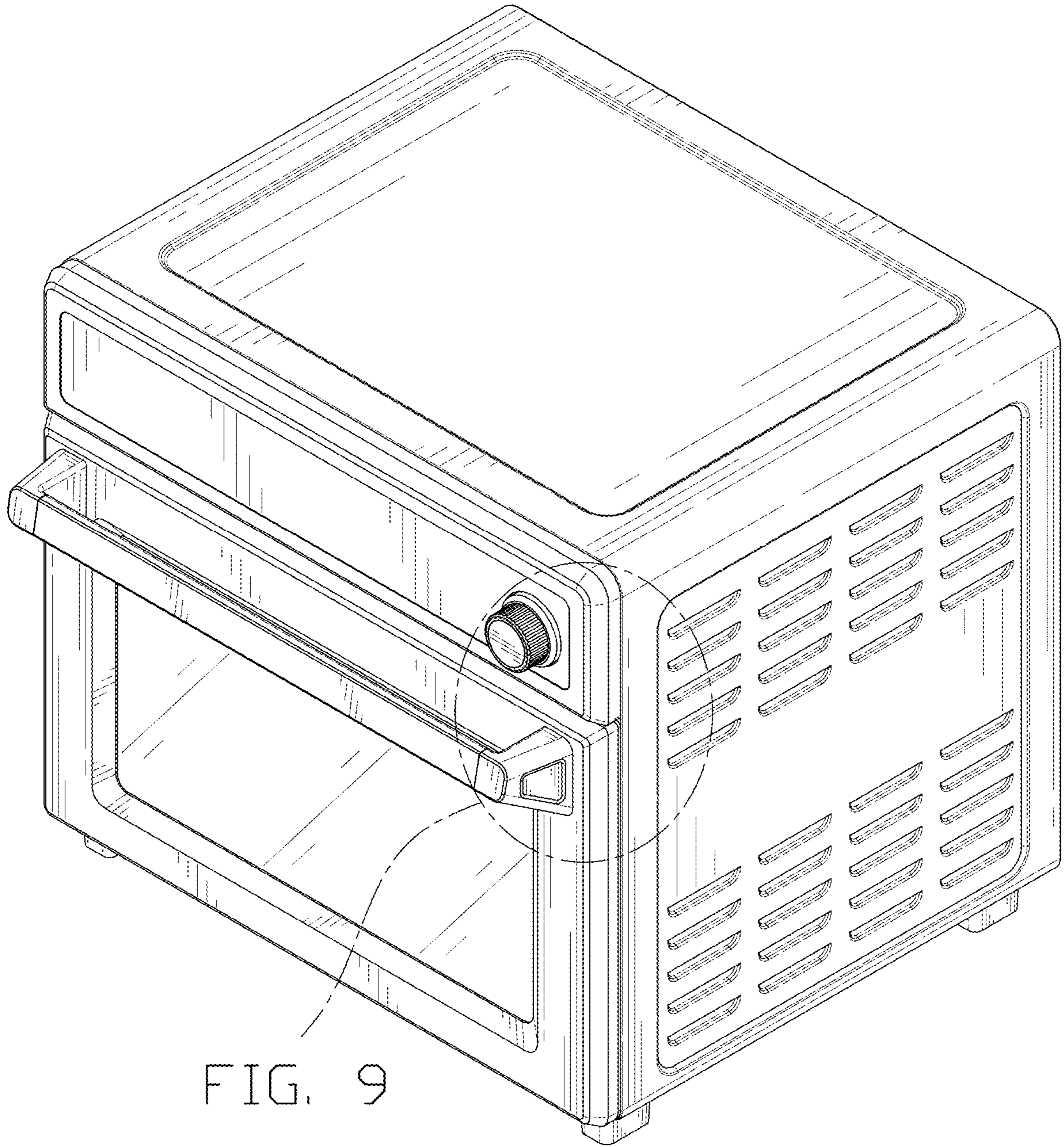


FIG. 9

FIG. 1



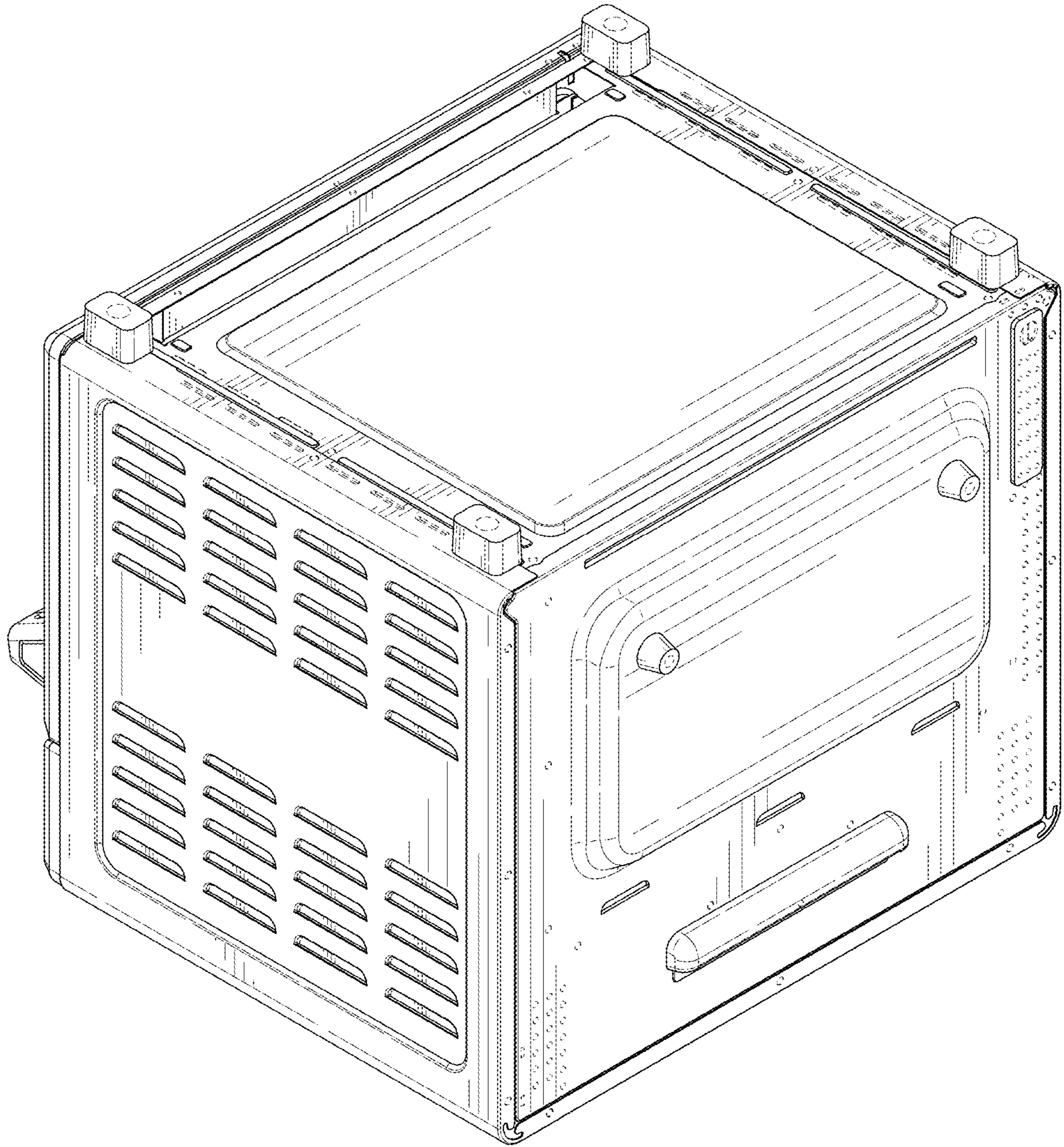


FIG. 2

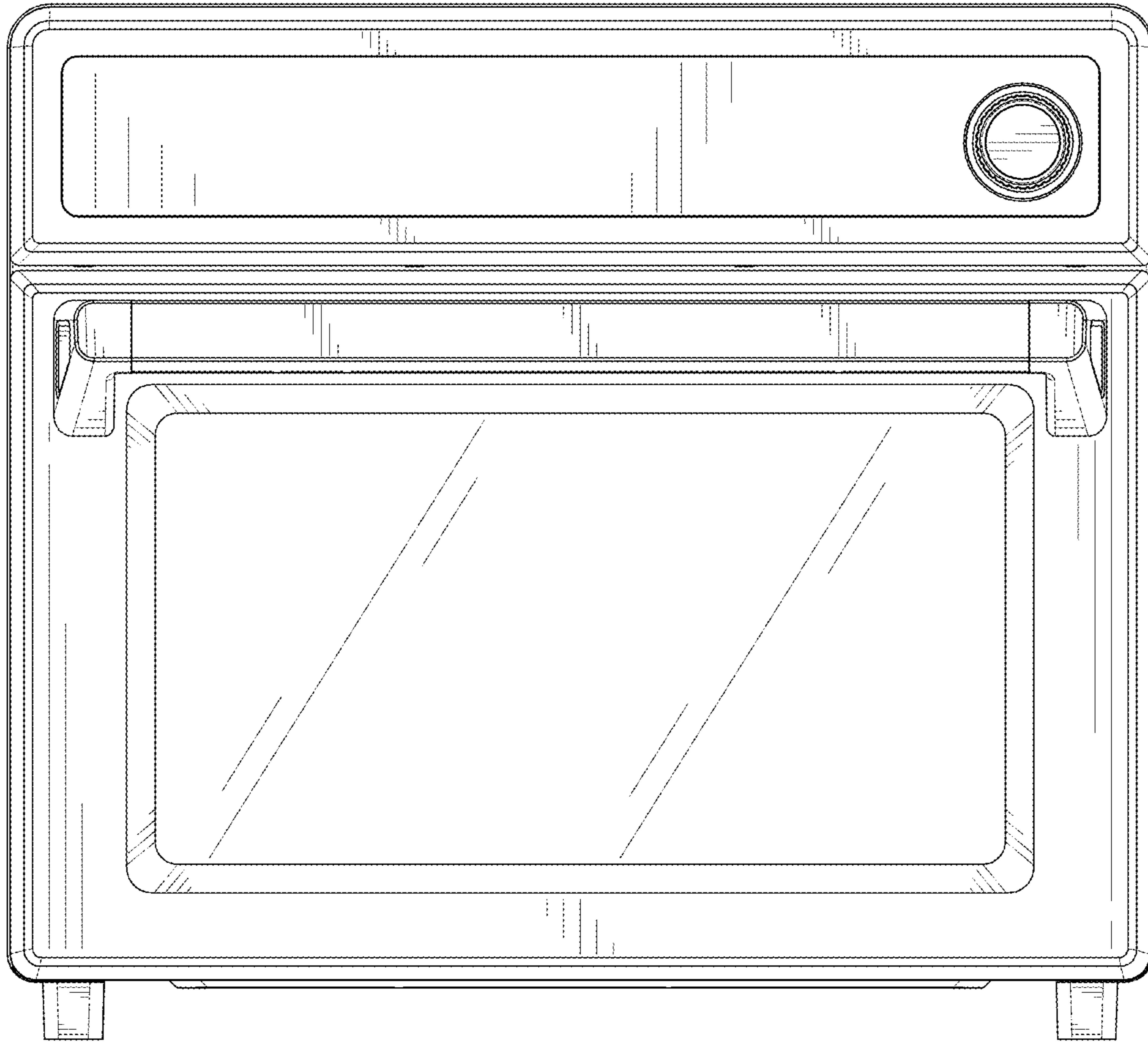


FIG. 3

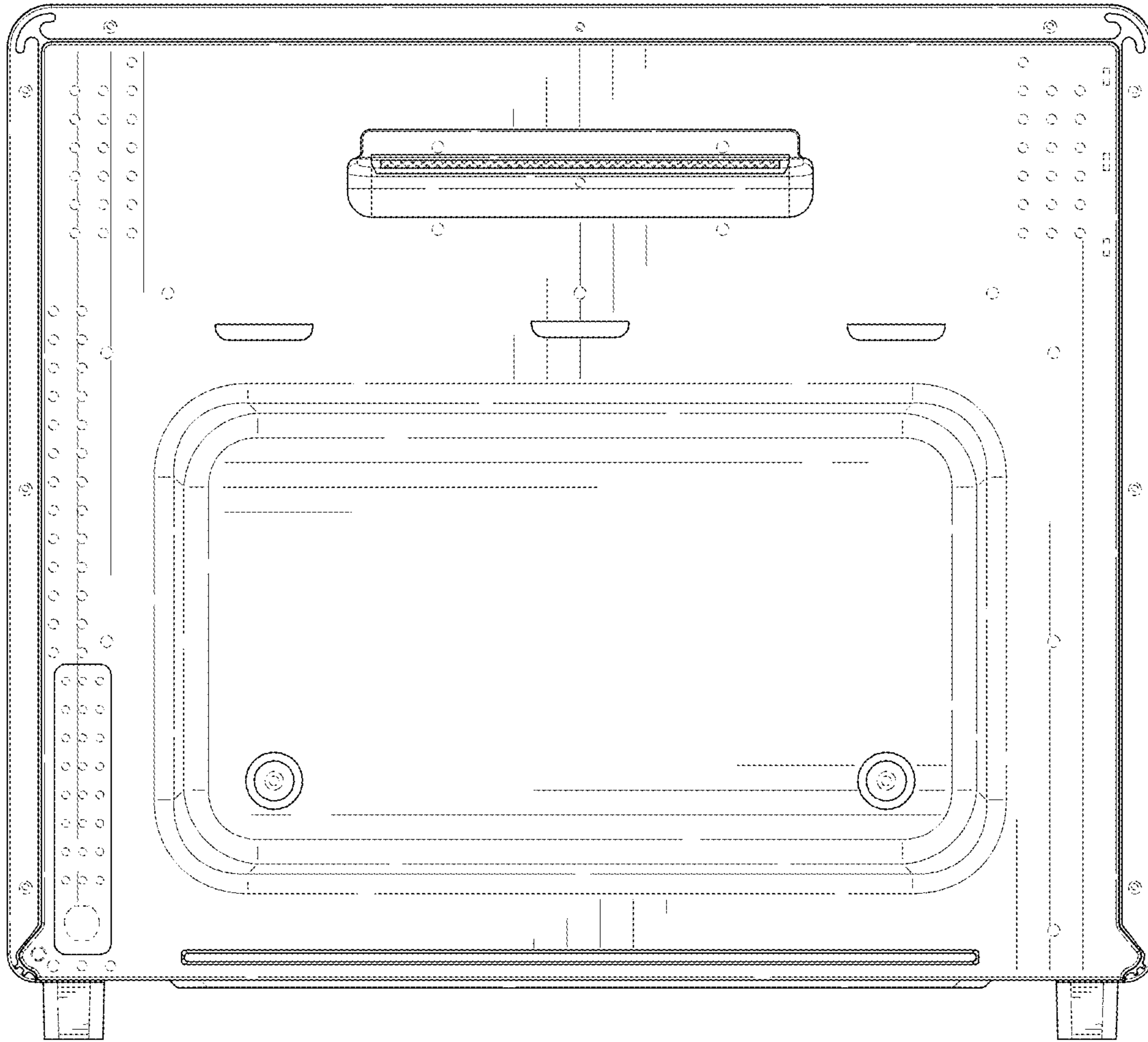


FIG. 4

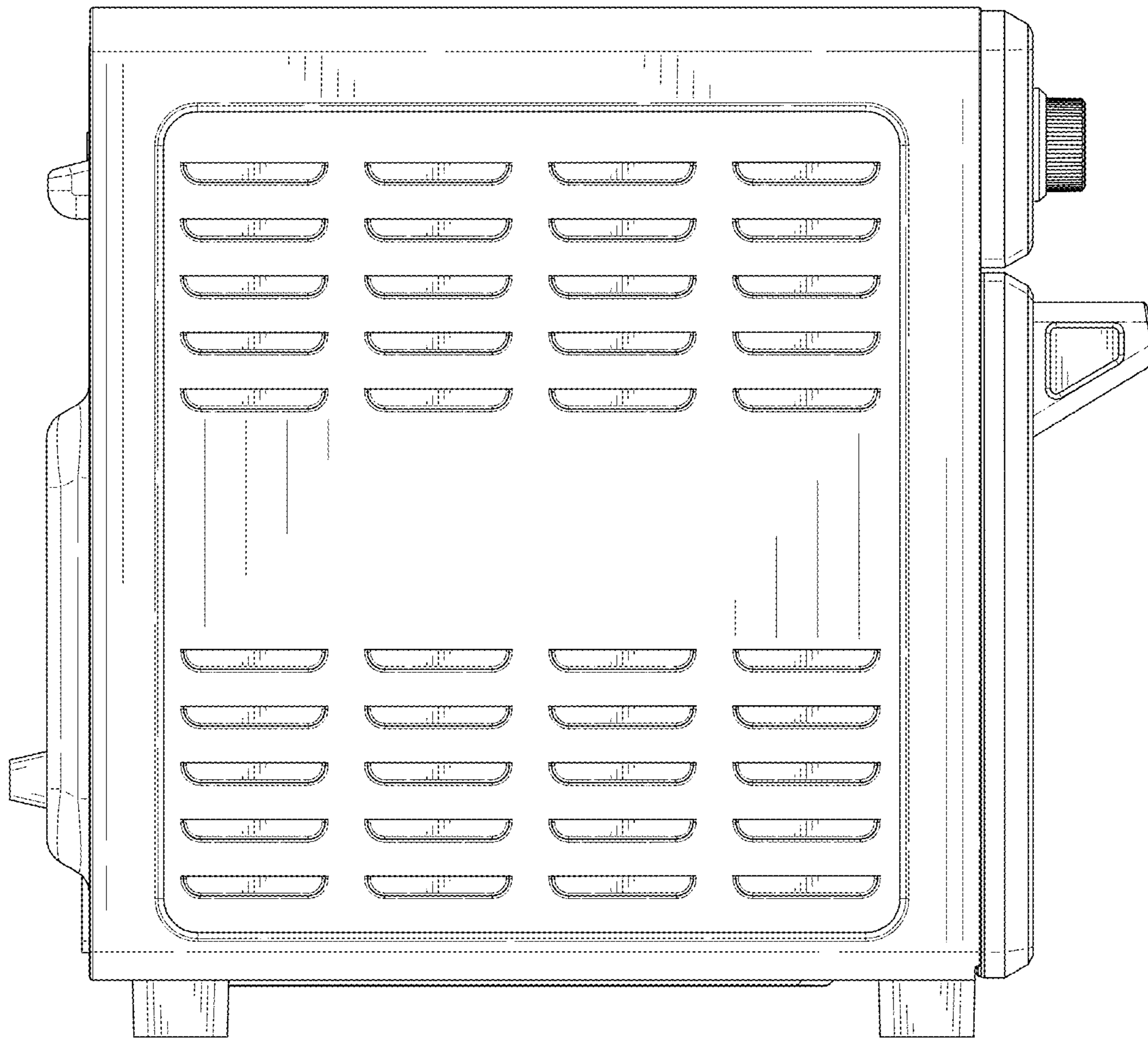


FIG. 5



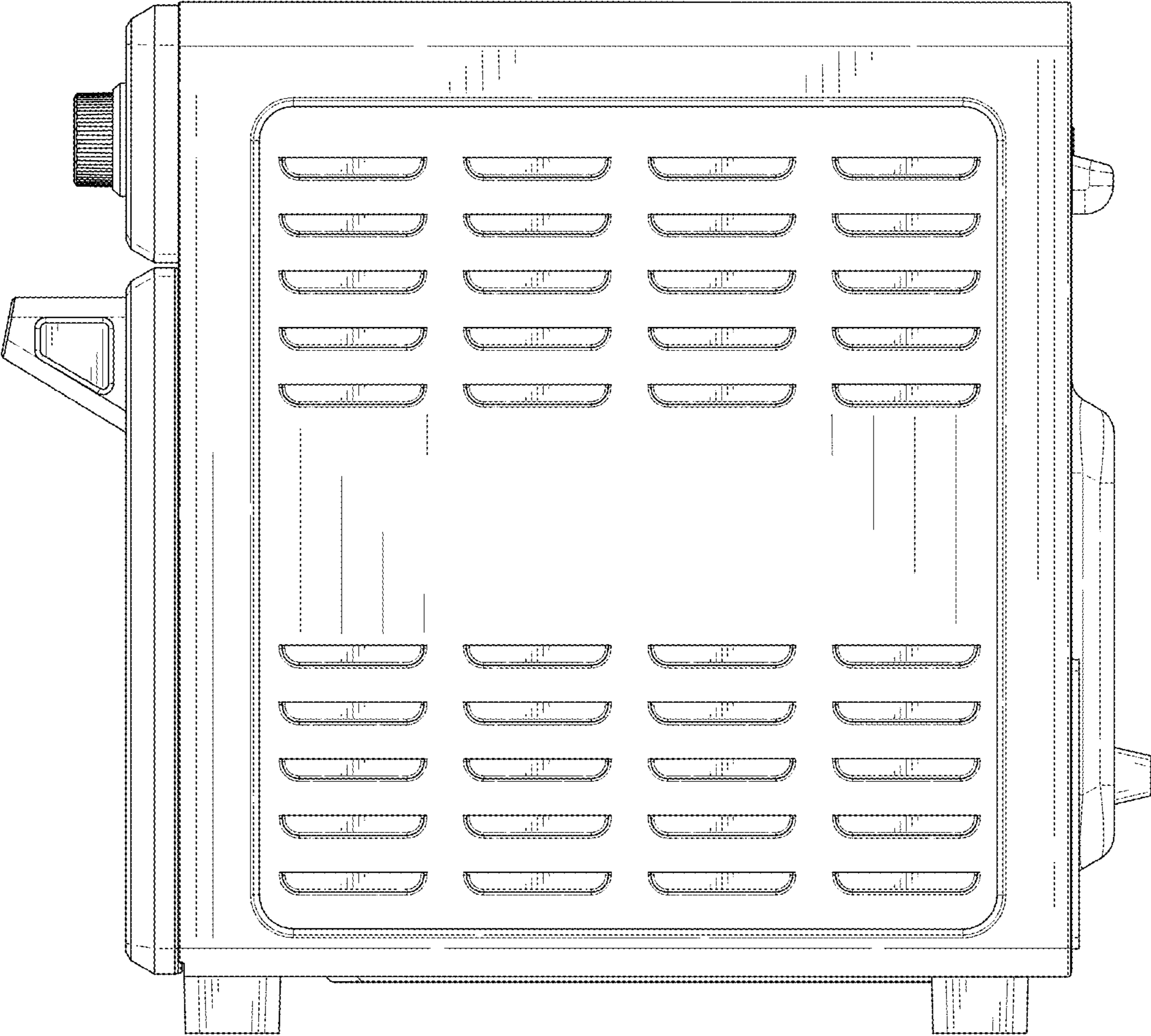


FIG. 6

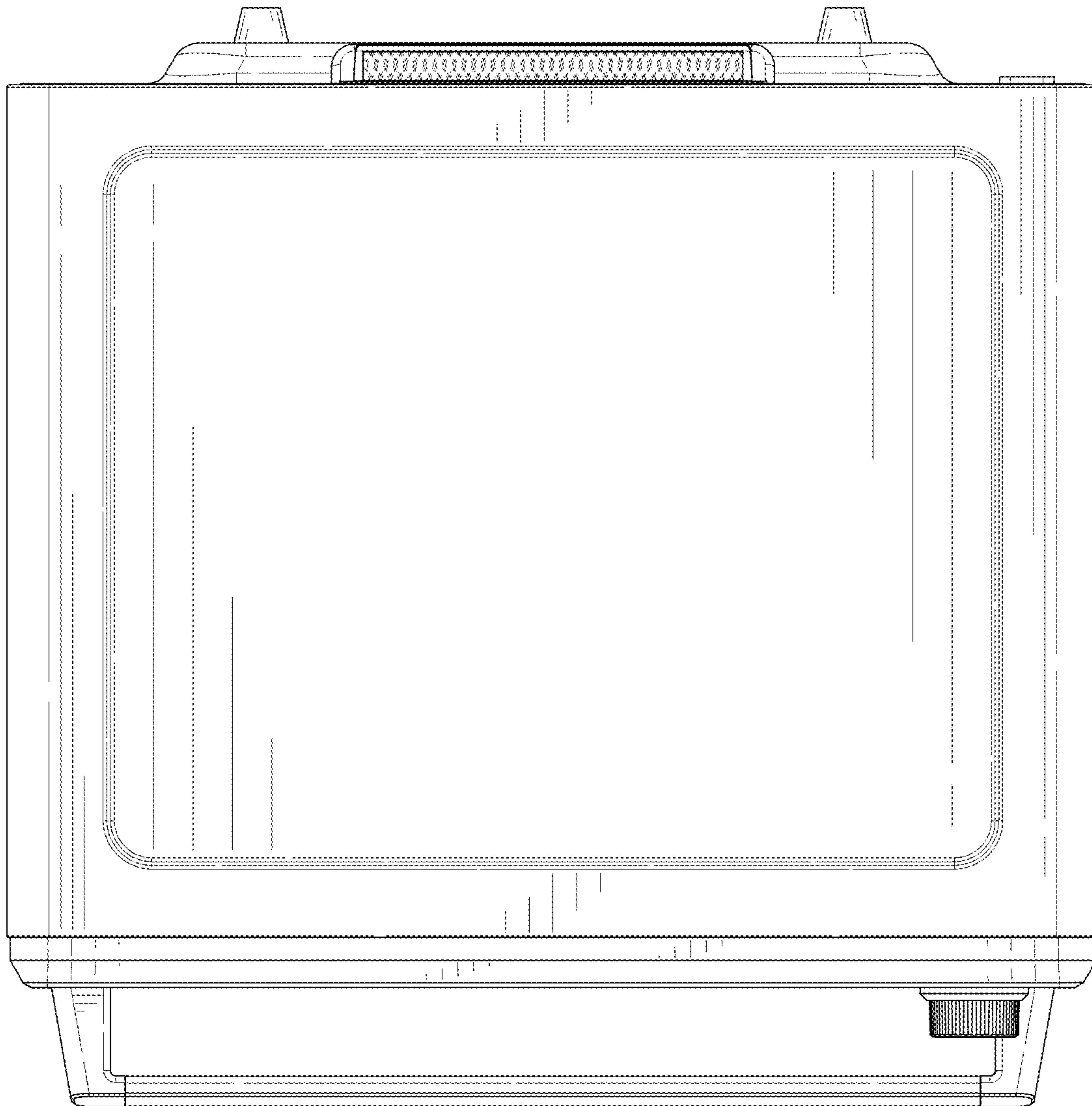


FIG. 7



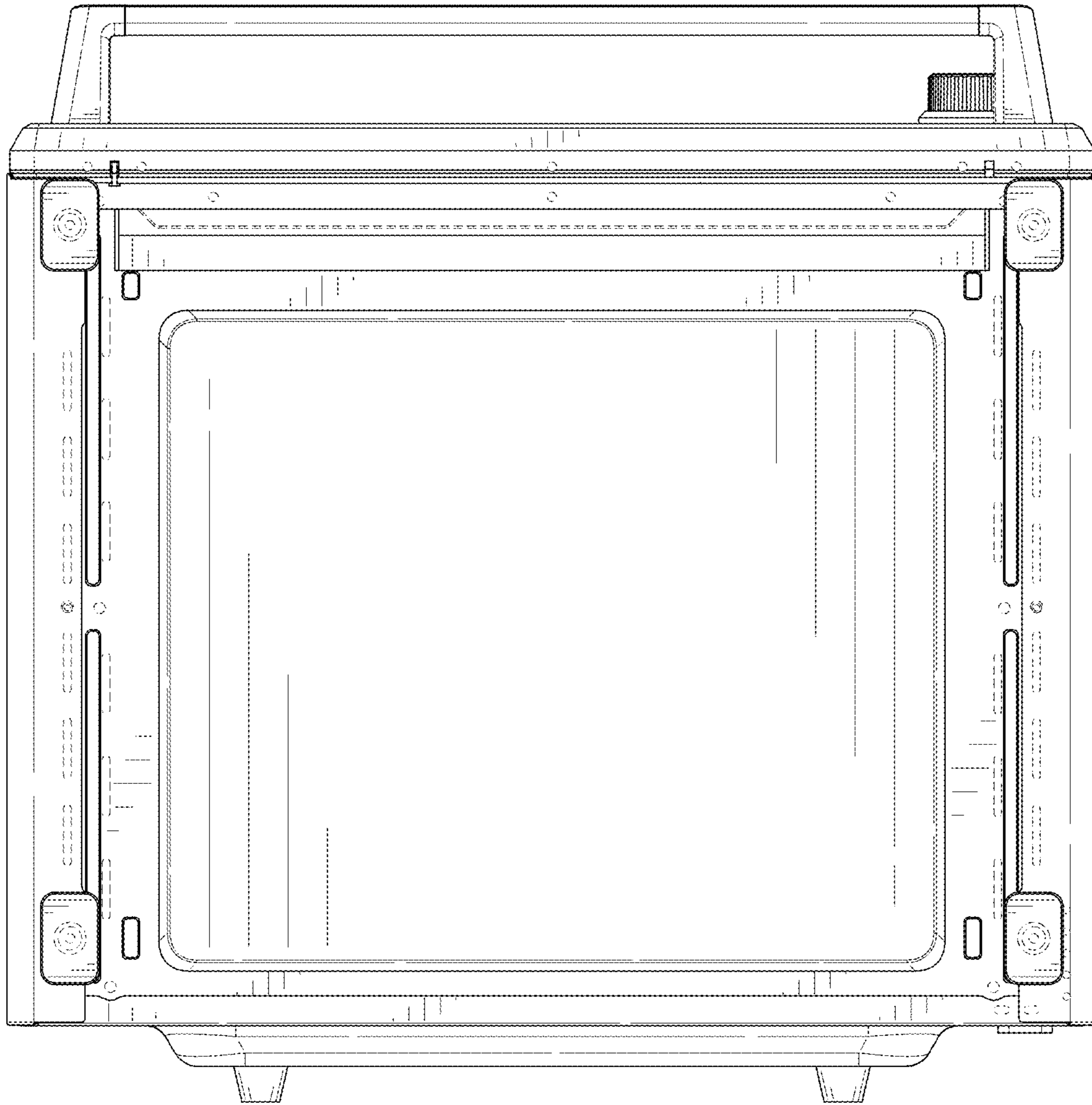


FIG. 8

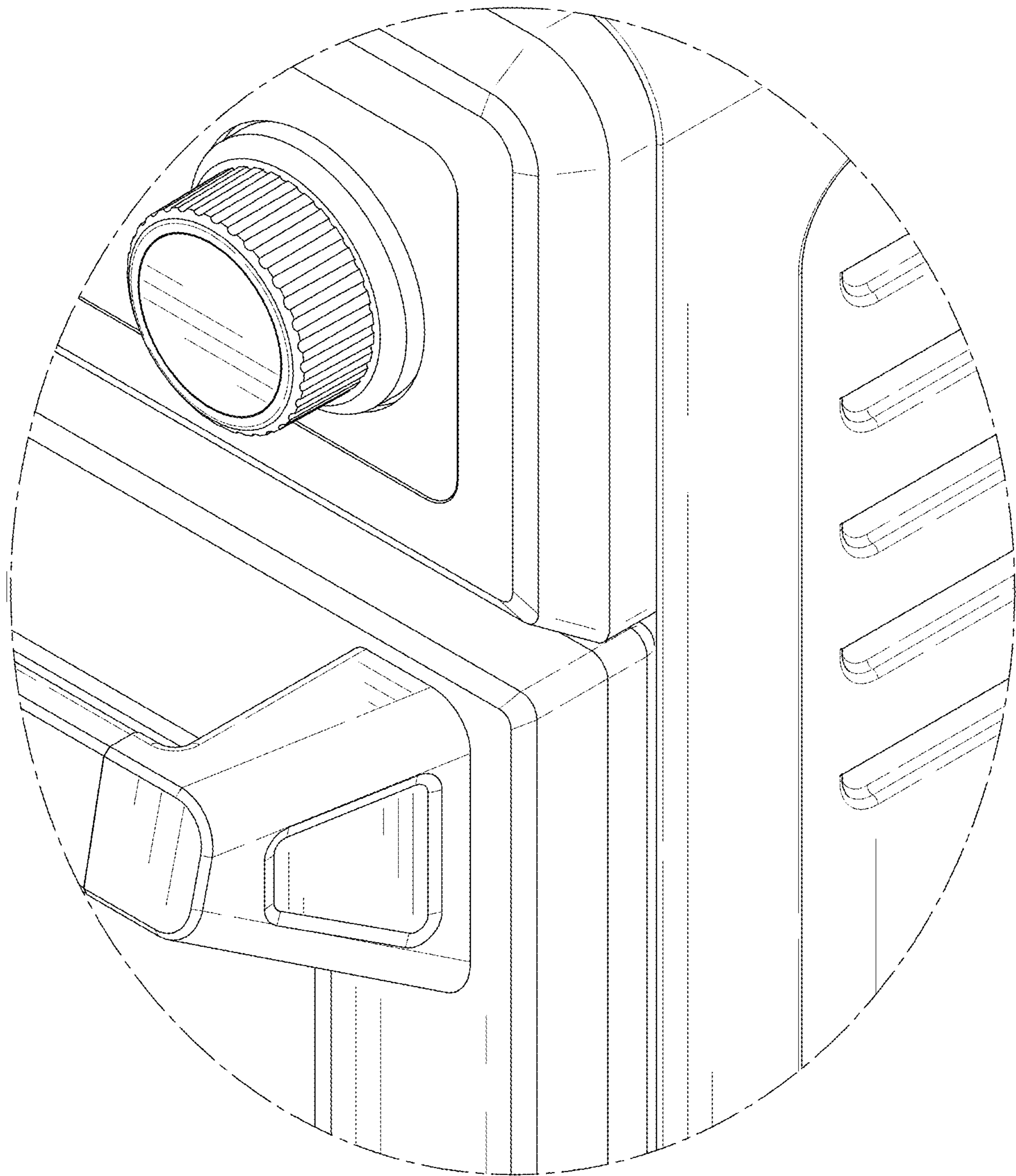


FIG. 9