



US00D927236S

(12) **United States Design Patent** (10) **Patent No.:** **US D927,236 S**  
**Reinhart et al.** (45) **Date of Patent:** **\*\* Aug. 10, 2021**

(54) **ROUND SHELVING POLE**  
(71) Applicant: **CREATIVE PLASTIC CONCEPTS, LLC**, Sycamore, OH (US)  
(72) Inventors: **Nickolas Reinhart**, Findlay, OH (US); **Jacob H. Whitta**, Findlay, OH (US)  
(73) Assignee: **CREATIVE PLASTIC CONCEPTS, LLC**, Sycamore, OH (US)  
(\*\*) Term: **15 Years**  
(21) Appl. No.: **29/699,885**  
(22) Filed: **Jul. 30, 2019**  
(51) **LOC (13) Cl.** ..... **06-06**  
(52) **U.S. Cl.**  
USPC ..... **D6/712**  
(58) **Field of Classification Search**  
USPC ..... D6/691, 702, 707, 707.17, 707.24, 708, D6/708.16, 708.17, 708.21, 709.2, 709, D6/712; D20/41; D25/119, 122, 123, D25/125, 126  
CPC ..... A47B 13/00; A47B 13/003; A47B 13/02; A47B 2013/006; A47B 21/02; A47B 45/00; A47B 47/0008; A47B 47/0025; A47B 91/005; A47B 91/12; A47B 95/00; A47B 2200/002  
See application file for complete search history.

(56) **References Cited**  
U.S. PATENT DOCUMENTS  
91,125 A \* 6/1869 Halstead ..... E01F 5/005  
138/160  
2,852,883 A \* 9/1958 Walsh ..... A47B 91/04  
248/188.9  
D415,574 S \* 10/1999 Shrira ..... D25/122  
D418,699 S \* 1/2000 Burns ..... D6/709.21  
D427,461 S \* 7/2000 Burns ..... D6/709.21  
D441,877 S \* 5/2001 Fortier ..... D25/122

6,354,231 B1 \* 3/2002 Morris ..... A47B 91/028  
108/144.11  
D473,663 S \* 4/2003 Chou ..... D25/122  
D648,159 S \* 11/2011 Hense ..... D6/712  
D681,992 S \* 5/2013 Ng ..... D6/580  
D715,082 S \* 10/2014 Sugiura ..... D6/712  
D745,299 S \* 12/2015 Chang ..... D6/709  
D760,523 S \* 7/2016 Bonuccelli ..... D6/709

(Continued)

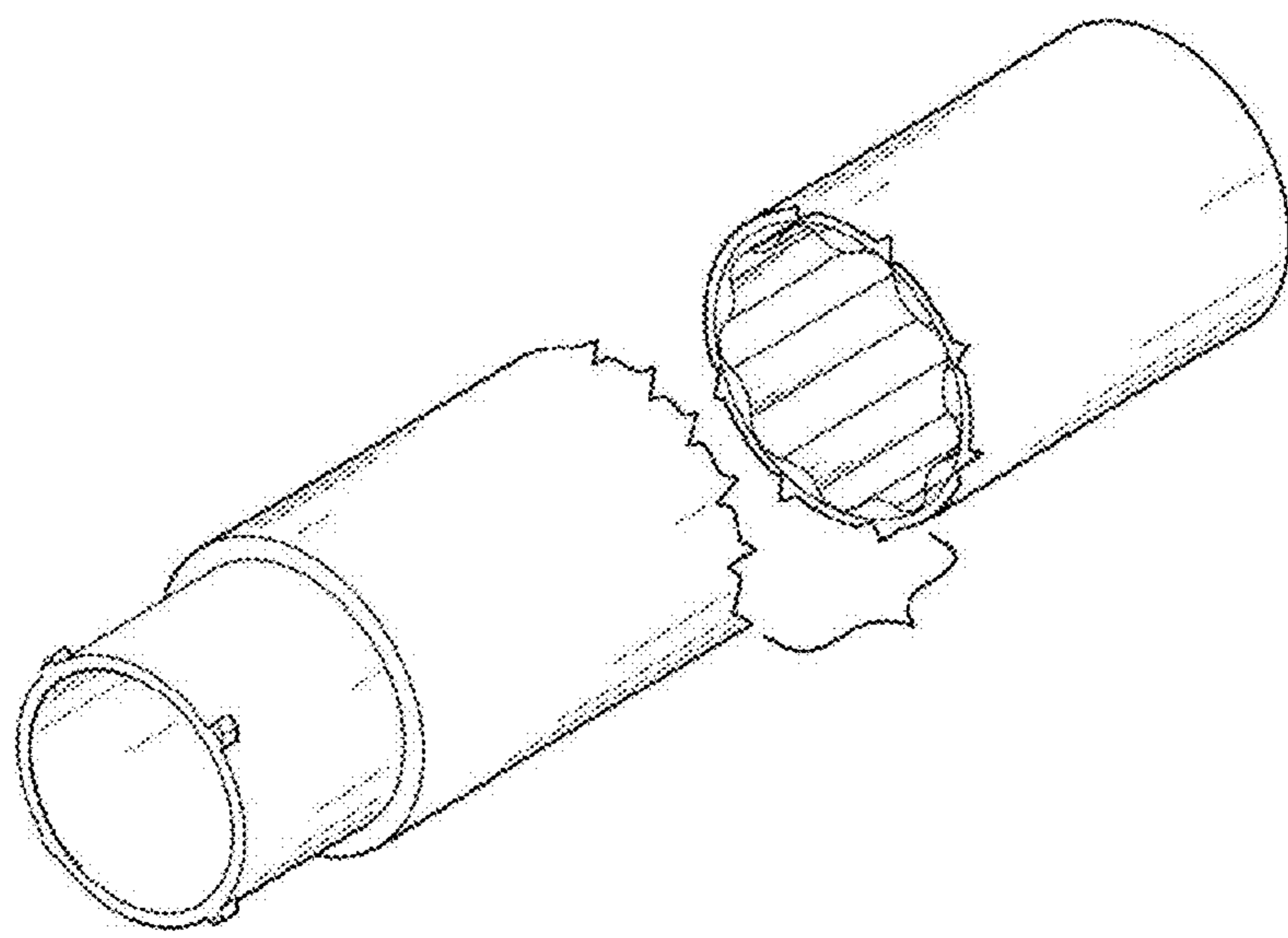
*Primary Examiner* — Kelley A Donnelly  
(74) *Attorney, Agent, or Firm* — Jacob M. Ward; Ward Law Office LLC

(57) **CLAIM**  
The ornamental design for a round shelving pole, as shown and described.

**DESCRIPTION**

FIG. 1 is a perspective view of a round shelving pole; FIG. 2 is a right side elevational view of the round shelving pole shown in FIG. 1; FIG. 3 is a front elevational view of the round shelving pole shown in FIG. 1; FIG. 4 is a rear elevational view of the round shelving pole shown in FIG. 1; and, FIG. 5 is a cross-sectional, right side elevational view of the round shelving pole taken at section line 5-5 in FIG. 3. A left side elevational view of the round shelving pole is not shown because it is a mirror image of the right side elevational view that is shown in FIG. 2. A top plan view and a bottom plan view of the round shelving pole are not shown because they are identical to the right side elevational view shown in FIG. 2. The round shelving pole is shown broken in one place along the height direction in FIGS. 1, 2 and 5 to indicate indeterminate length, with the understanding that the “indeterminate” length portion of the round shelving pole not shown forms no part of the claimed design. Patentability is based only on those portions of the article that are shown in solid lines.

**1 Claim, 2 Drawing Sheets**



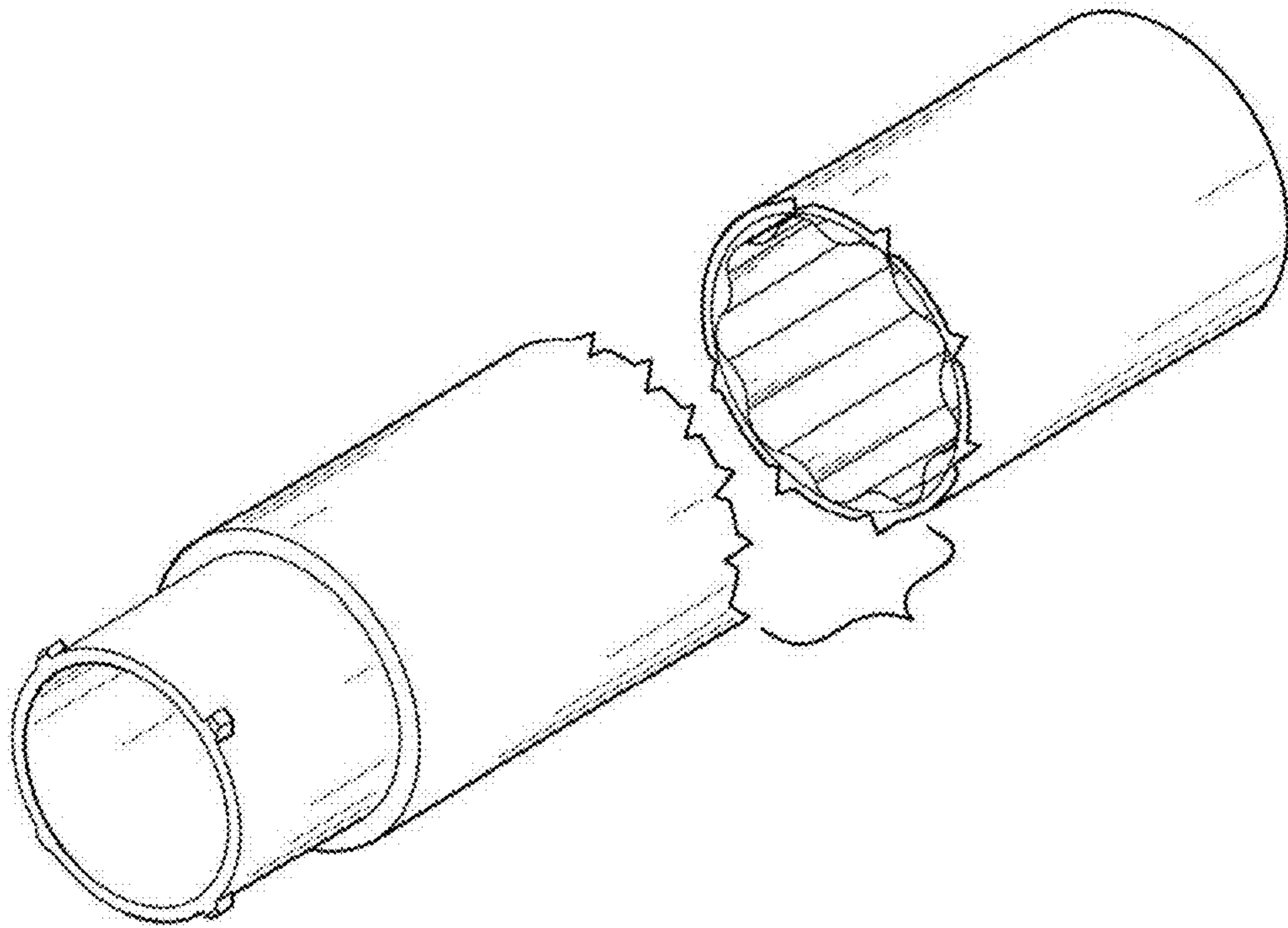
(56)

**References Cited**

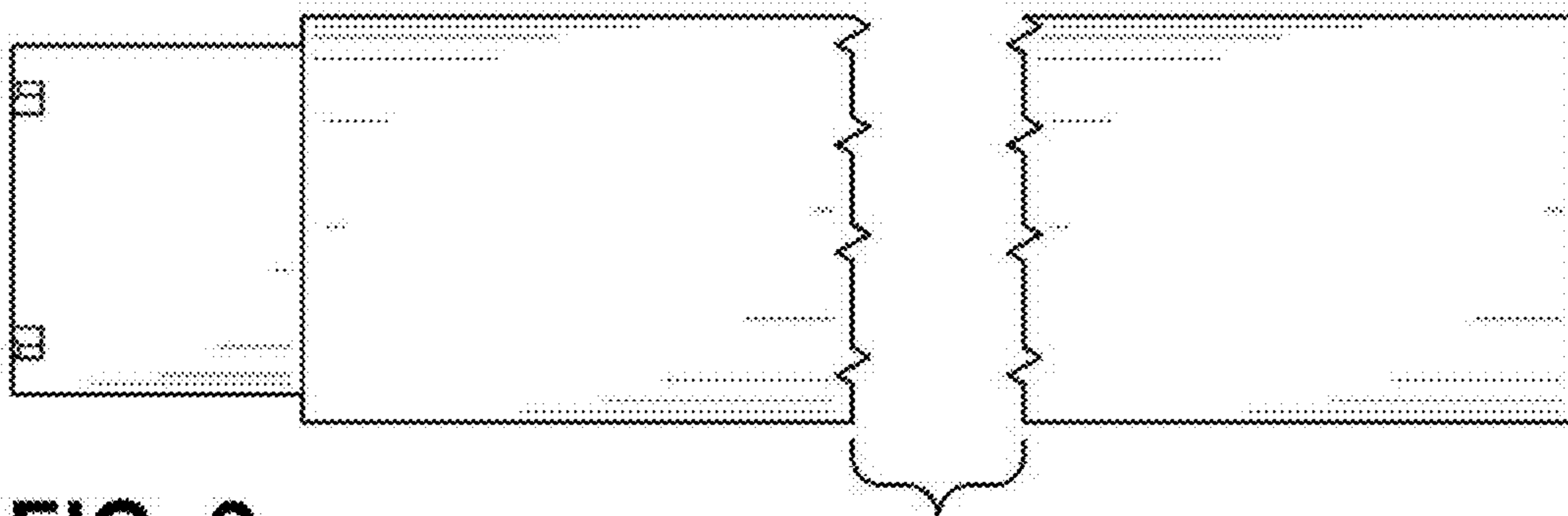
U.S. PATENT DOCUMENTS

D760,524 S \* 7/2016 Bonuccelli ..... D6/709  
D784,060 S \* 4/2017 Davidsen ..... D6/709  
D786,449 S \* 5/2017 Webster ..... D25/38.1  
D802,405 S \* 11/2017 Chang ..... D8/374  
D853,017 S \* 7/2019 Rioux ..... D26/118  
D865,223 S \* 10/2019 Spork ..... D25/61  
2004/0104319 A1 \* 6/2004 Dean ..... F16B 7/025  
248/146  
2019/0154195 A1 \* 5/2019 Sisto ..... F16M 13/022  
2020/0408392 A1 \* 12/2020 Lenz, Jr. .... F16B 7/1472

\* cited by examiner



**FIG. 1**



**FIG. 2**

