



US00D927233S

(12) **United States Design Patent** (10) **Patent No.:** **US D927,233 S**  
**Lee** (45) **Date of Patent:** **\*\* Aug. 10, 2021**

(54) **STAND FOR ELECTRONIC DEVICES**

FOREIGN PATENT DOCUMENTS

(71) Applicant: **elago CO. LTD**, Goyang-si (KR)

CN 304912826 11/2018  
CN 305485032 12/2019

(72) Inventor: **Chanwoo Lee**, Goyang-si (KR)

(Continued)

(73) Assignee: **ELAGO CO. LTD**, Goyang-si (KR)

OTHER PUBLICATIONS

(\*\*) Term: **15 Years**

Elago MS Trio 1 Charging Dock Supports MagSafe Charger, gadgetsin.com, <https://gadgetsin.com/elago-ms-trio-1-charging-dock-supports-magsafe-charger.htm> (Year: 2021).\*

(21) Appl. No.: **29/766,489**

(22) Filed: **Jan. 15, 2021**

*Primary Examiner* — Steven J Czyz

(51) **LOC (13) Cl.** ..... **20-02**

(74) *Attorney, Agent, or Firm* — Paratus Law Group, PLLC

(52) **U.S. Cl.**

USPC ..... **D6/682**; D13/108

(58) **Field of Classification Search**

USPC ..... D6/672, 673, 682, 682.1, 682.3;  
D13/107, 108, 118, 199; D14/432, 251,  
D14/253

CPC .. H02J 50/00; H02J 50/05; H02J 50/10; H02J  
50/12; H02J 50/15; H02J 50/40; H02J  
50/80; H02J 7/005; H02J 7/025; H02J  
7/0042; H02J 7/0044; H02J 7/0045

See application file for complete search history.

(57) **CLAIM**

The ornamental design for a stand for electronic devices, as shown and described.

**DESCRIPTION**

(56) **References Cited**

U.S. PATENT DOCUMENTS

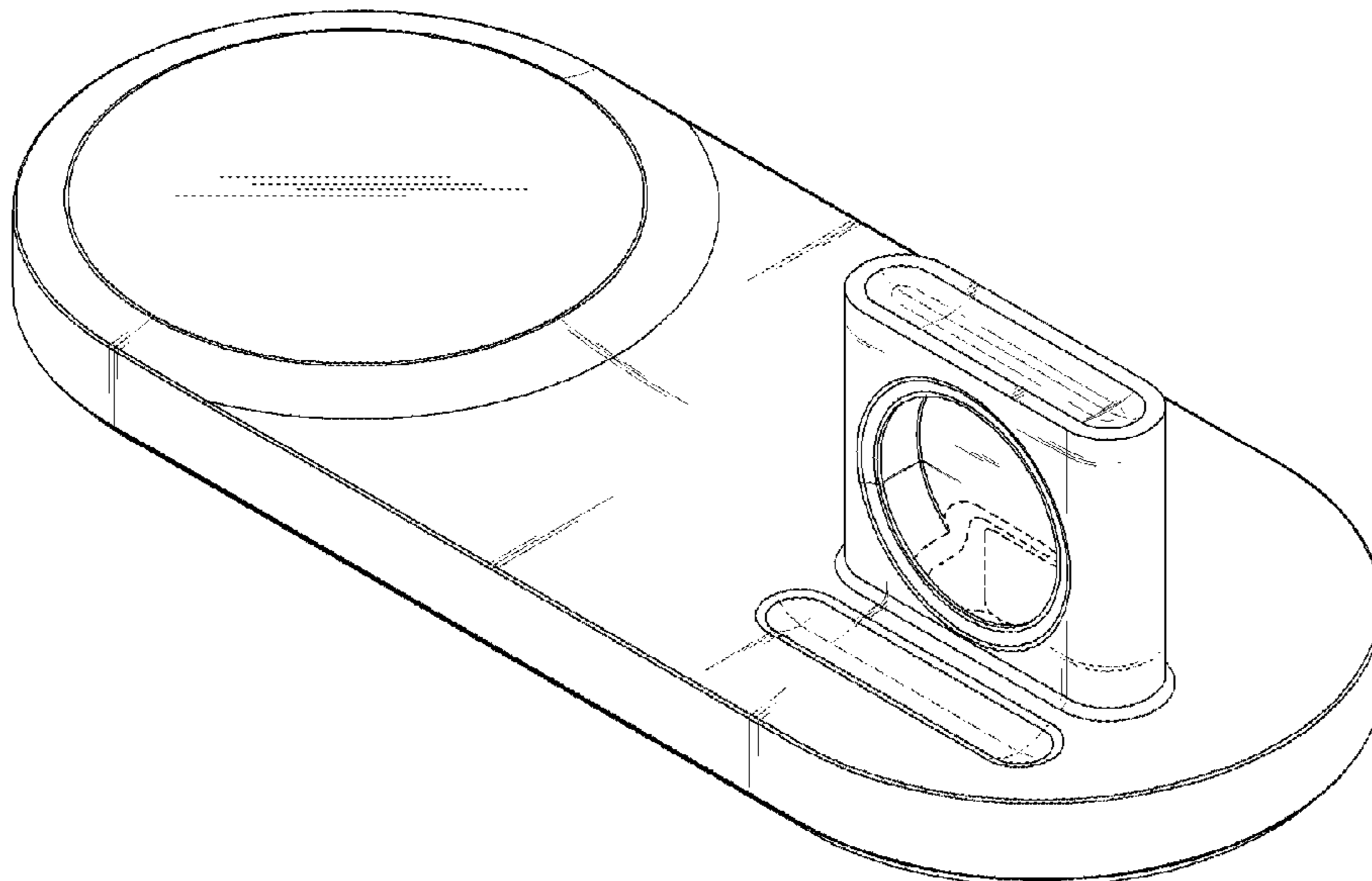
D589,250 S \* 3/2009 Myers ..... D3/218  
D704,628 S \* 5/2014 Tajik ..... D13/108  
D709,445 S \* 7/2014 Yeh ..... D13/107  
D776,053 S \* 1/2017 Barnard ..... D13/108  
D797,041 S \* 9/2017 Meyerhoffer ..... D13/107  
D800,735 S \* 10/2017 Akana ..... D14/451  
D806,024 S \* 12/2017 Swen ..... D13/108  
D810,478 S \* 2/2018 Akana ..... D6/682  
D814,413 S \* 4/2018 Zhong ..... D13/108  
D823,796 S \* 7/2018 Zhang ..... D13/108  
D826,851 S \* 8/2018 Wang ..... D13/108  
D827,568 S \* 9/2018 Turksu ..... D13/108

(Continued)

FIG. 1 is a front, top, and right-side perspective view of a stand for electronic devices showing my new design; FIG. 2 is a front view thereof; FIG. 3 is a back view thereof; FIG. 4 is a left-side view thereof; FIG. 5 is a right-side view thereof; FIG. 6 is a top view thereof; FIG. 7 is a bottom view thereof; FIG. 8 is a back, top, and right-side perspective view thereof; FIG. 9 is a front, bottom, and left-side perspective view thereof; and, FIG. 10 is a front, top, and right-side perspective view thereof in use.

The broken lines shown in FIGS. 1, 2, 7, and 9 depict parts of the stand for electronic devices and form no part of the claimed design. The broken lines shown in FIG. 10 depict environment and form no part of the claimed design.

**1 Claim, 7 Drawing Sheets**



(56)

References Cited

U.S. PATENT DOCUMENTS

D837,150 S \* 1/2019 Naslund ..... D13/108  
 D850,369 S \* 6/2019 Wang ..... D13/108  
 D857,626 S \* 8/2019 Zhang ..... D13/108  
 D865,665 S \* 11/2019 Shor ..... D13/108  
 D870,038 S \* 12/2019 Zeng ..... D13/108  
 D870,657 S \* 12/2019 Liang ..... D13/108  
 D871,332 S \* 12/2019 Liao ..... D13/108  
 D872,691 S \* 1/2020 Liao ..... D13/108  
 D872,726 S \* 1/2020 Lindof ..... D14/253  
 D873,216 S \* 1/2020 Zhang ..... D13/108  
 D875,043 S \* 2/2020 Yi ..... D13/108  
 D875,679 S \* 2/2020 Yi ..... D13/108  
 D879,035 S \* 3/2020 Li ..... D13/108  
 D881,123 S \* 4/2020 Zhang ..... D13/108  
 D884,621 S \* 5/2020 Feng ..... D13/108  
 D884,622 S \* 5/2020 Huang ..... D13/108  
 D886,056 S \* 6/2020 Zhang ..... D13/108  
 D886,059 S \* 6/2020 Hu ..... D13/108  
 D886,735 S \* 6/2020 Yamamoto ..... D13/108  
 D887,350 S \* 6/2020 Yamamoto ..... D13/108  
 D887,977 S \* 6/2020 Weinstein ..... H02J 7/0027  
 D888,661 S \* 6/2020 Yoon ..... D13/108  
 D891,158 S \* 7/2020 Gady ..... D6/682.1  
 D892,043 S \* 8/2020 Raghunathan ..... D13/108  
 D892,046 S \* 8/2020 Peng ..... D13/108  
 D892,047 S \* 8/2020 Peng ..... D13/108  
 D892,729 S \* 8/2020 Helnerus ..... D13/107  
 D893,422 S \* 8/2020 Xiao ..... D13/108  
 D897,286 S \* 9/2020 Zhu ..... D13/108  
 D897,746 S \* 10/2020 Gady ..... D6/682.1  
 D900,023 S \* 10/2020 Derouineau ..... D13/107  
 D900,736 S \* 11/2020 Oyler ..... D13/108

D902,149 S \* 11/2020 Tu ..... D13/108  
 D904,302 S \* 12/2020 Bolton ..... D13/110  
 D904,978 S \* 12/2020 Liao ..... D13/108  
 D905,042 S \* 12/2020 Lim ..... D14/253  
 D905,631 S \* 12/2020 Nauroy ..... D13/108  
 D905,632 S \* 12/2020 Nauroy ..... D13/108  
 D907,828 S \* 1/2021 Zhang ..... D26/51  
 D911,279 S \* 2/2021 Hu ..... D13/108  
 D915,276 S \* 4/2021 Peng ..... D13/108  
 D915,277 S \* 4/2021 Peng ..... D13/108  
 D916,695 S \* 4/2021 Lee ..... D14/253  
 D917,386 S \* 4/2021 Xu ..... D13/108  
 D917,452 S \* 4/2021 Lee ..... D14/253  
 D918,135 S \* 5/2021 Akana ..... D13/108  
 D918,136 S \* 5/2021 Xu ..... D13/108  
 D920,237 S \* 5/2021 Huang ..... D13/108  
 D920,238 S \* 5/2021 Xiao ..... D13/108  
 D920,239 S \* 5/2021 Cheng ..... D13/108  
 D920,240 S \* 5/2021 Xiao ..... D13/108  
 D920,241 S \* 5/2021 Xiao ..... D13/108  
 D920,907 S \* 6/2021 Cox ..... D13/108  
 D920,908 S \* 6/2021 Qiu ..... D13/108  
 D921,584 S \* 6/2021 Bournique ..... D13/108  
 D923,565 \* 6/2021 Zeng ..... D13/108

FOREIGN PATENT DOCUMENTS

CN	305835600	6/2020
CN	306092356	10/2020
CN	306168105	11/2020
CN	306174881	11/2020
CN	306203383	12/2020
JP	D1670555	10/2020
KR	301029470.0000	10/2019

\* cited by examiner

FIG. 1

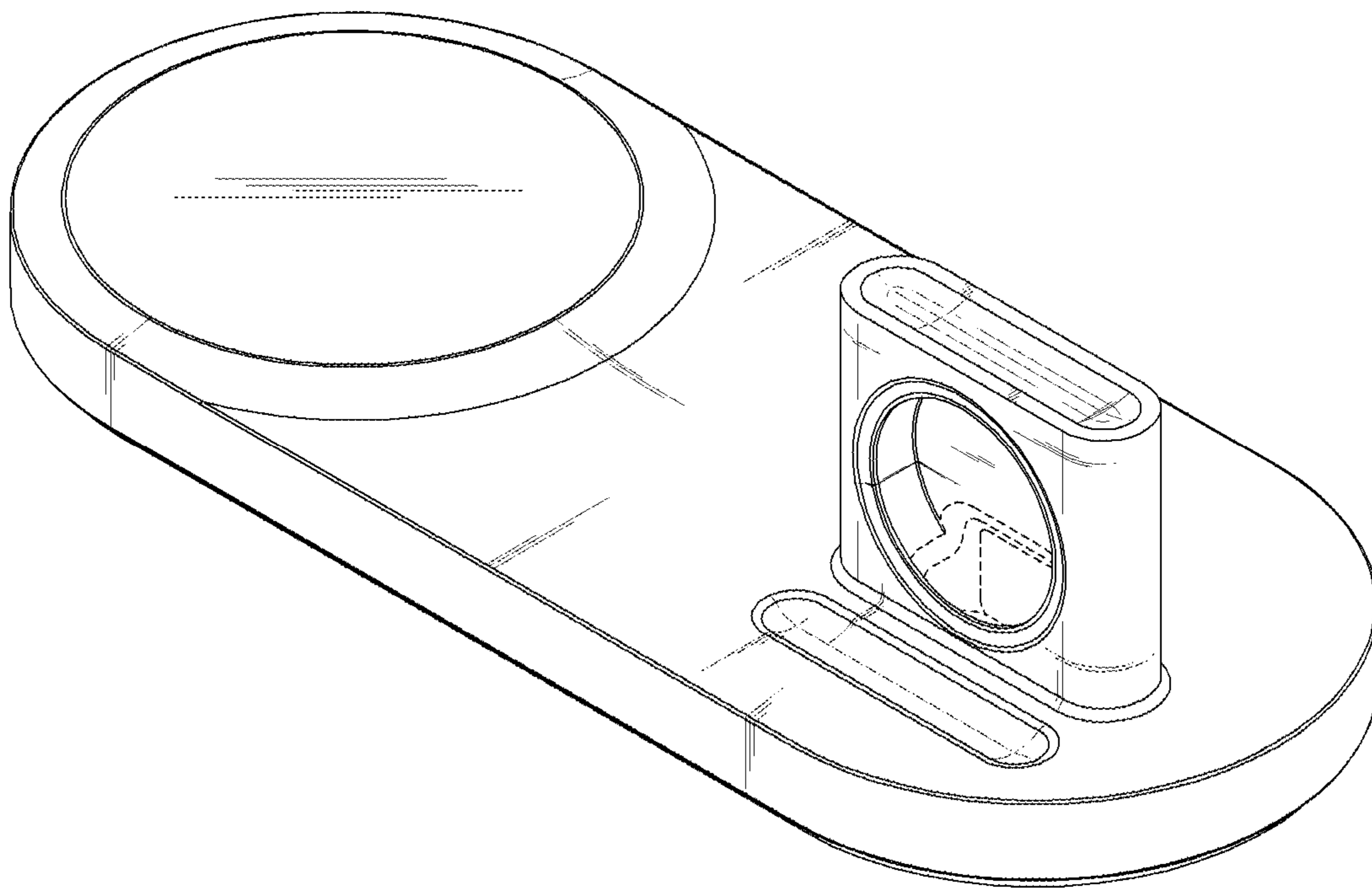


FIG. 2

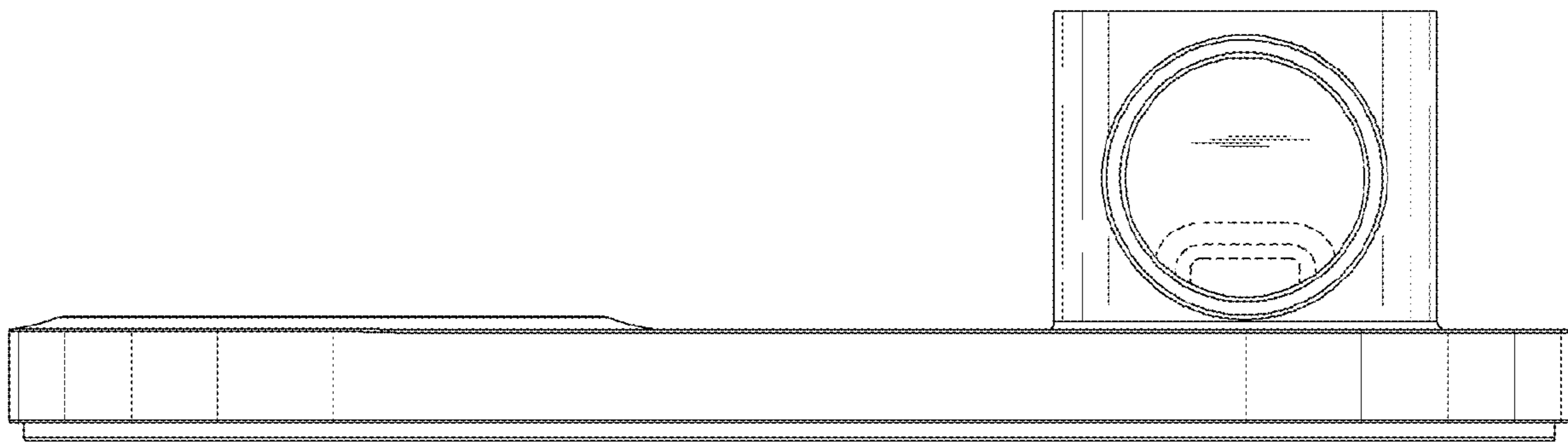


FIG. 3

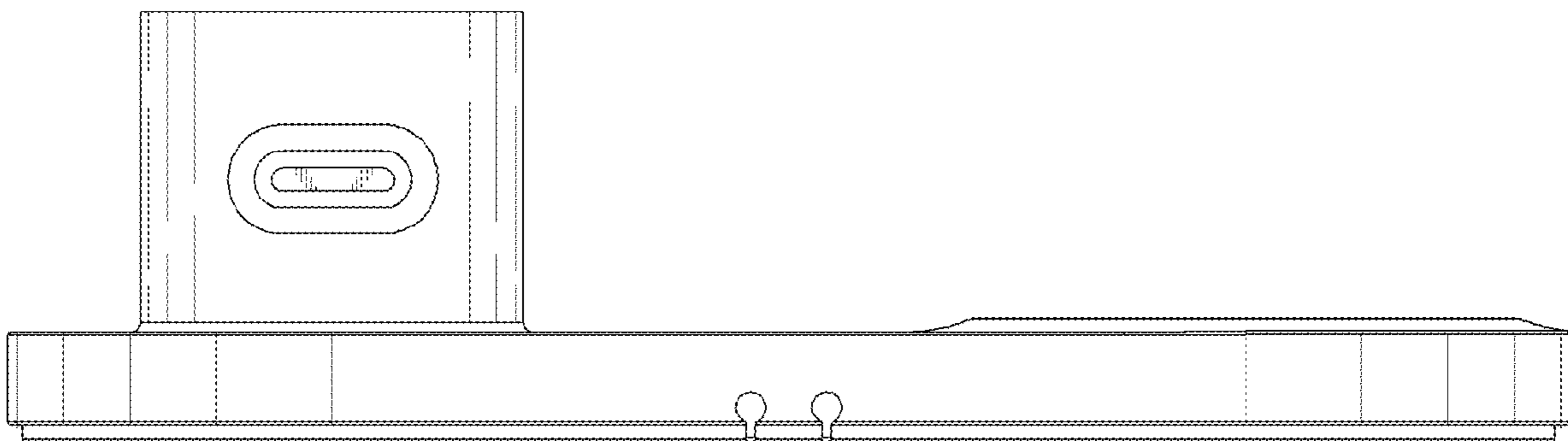


FIG. 4

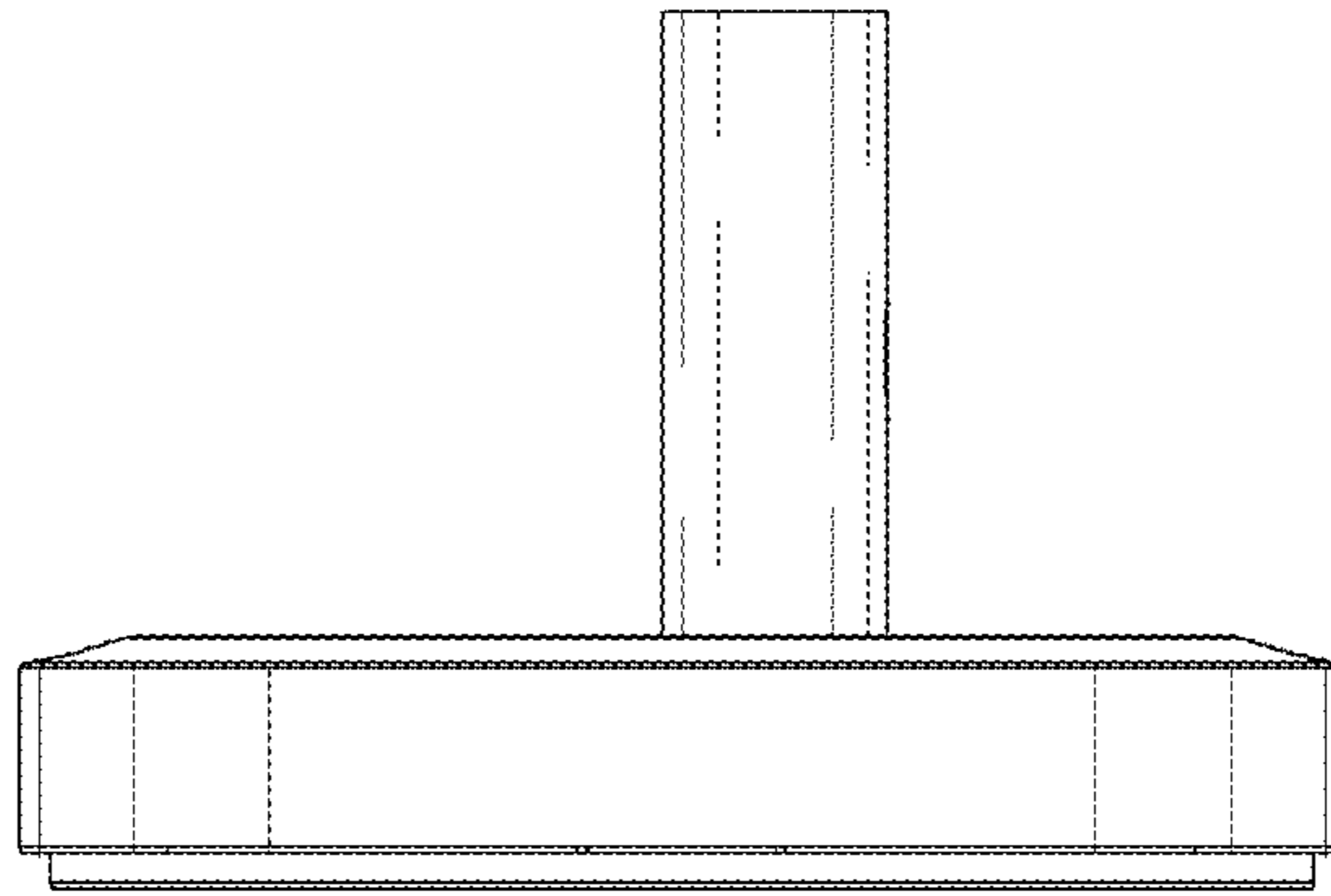


FIG. 5

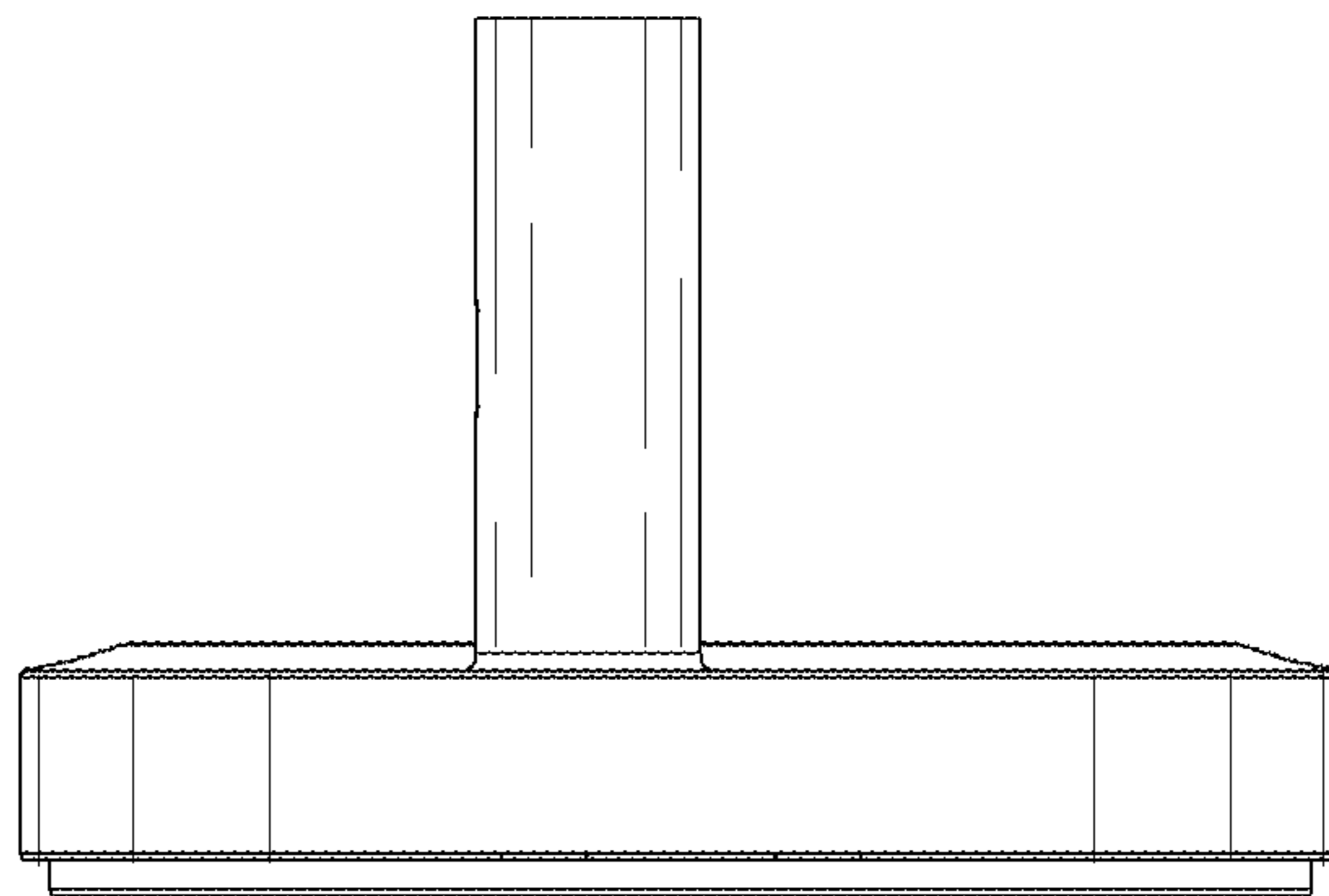


FIG. 6

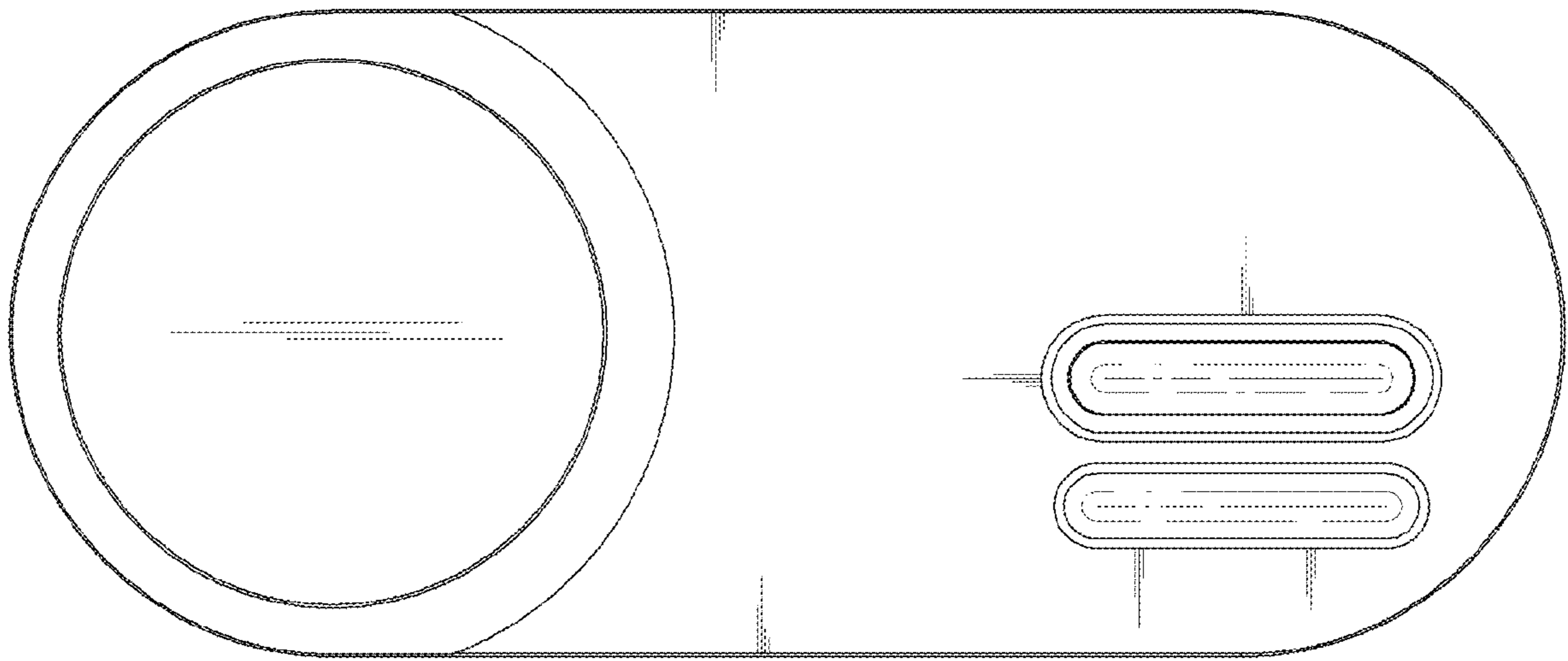


FIG. 7

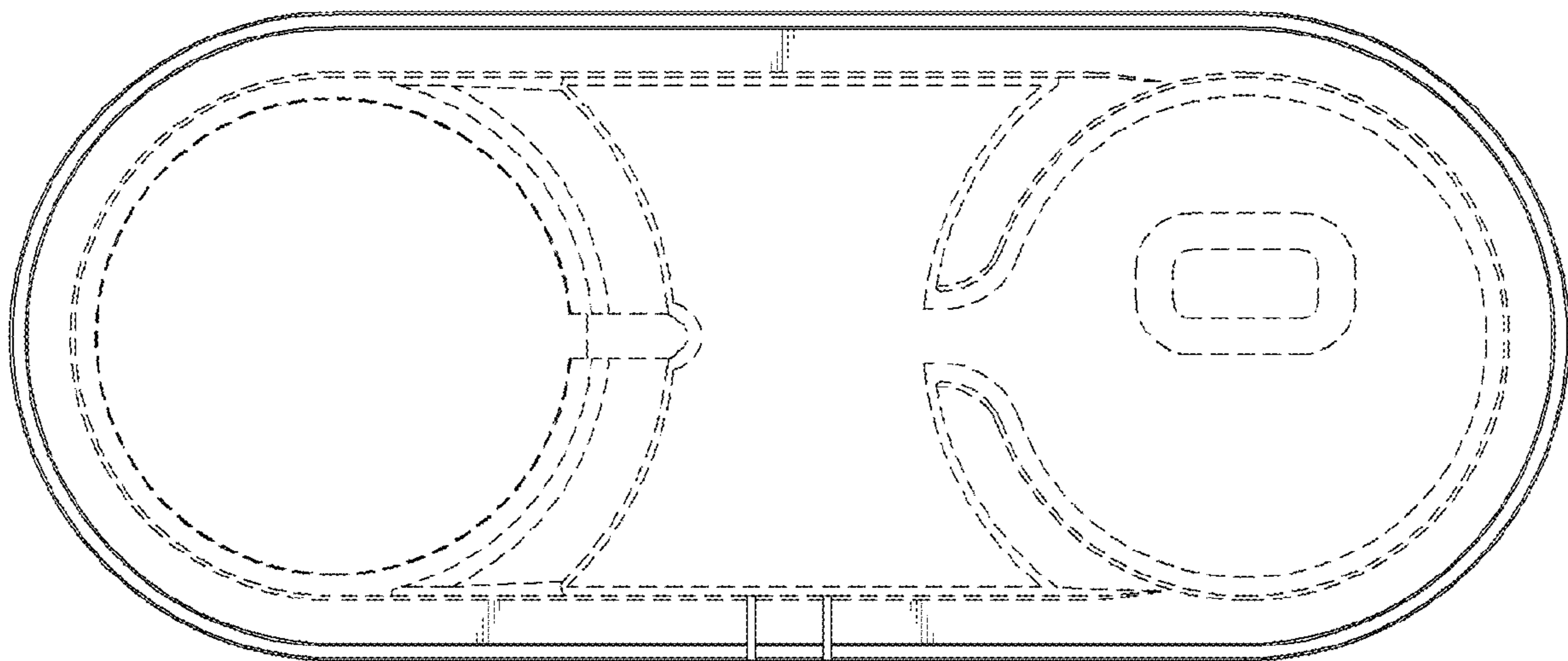


FIG. 8

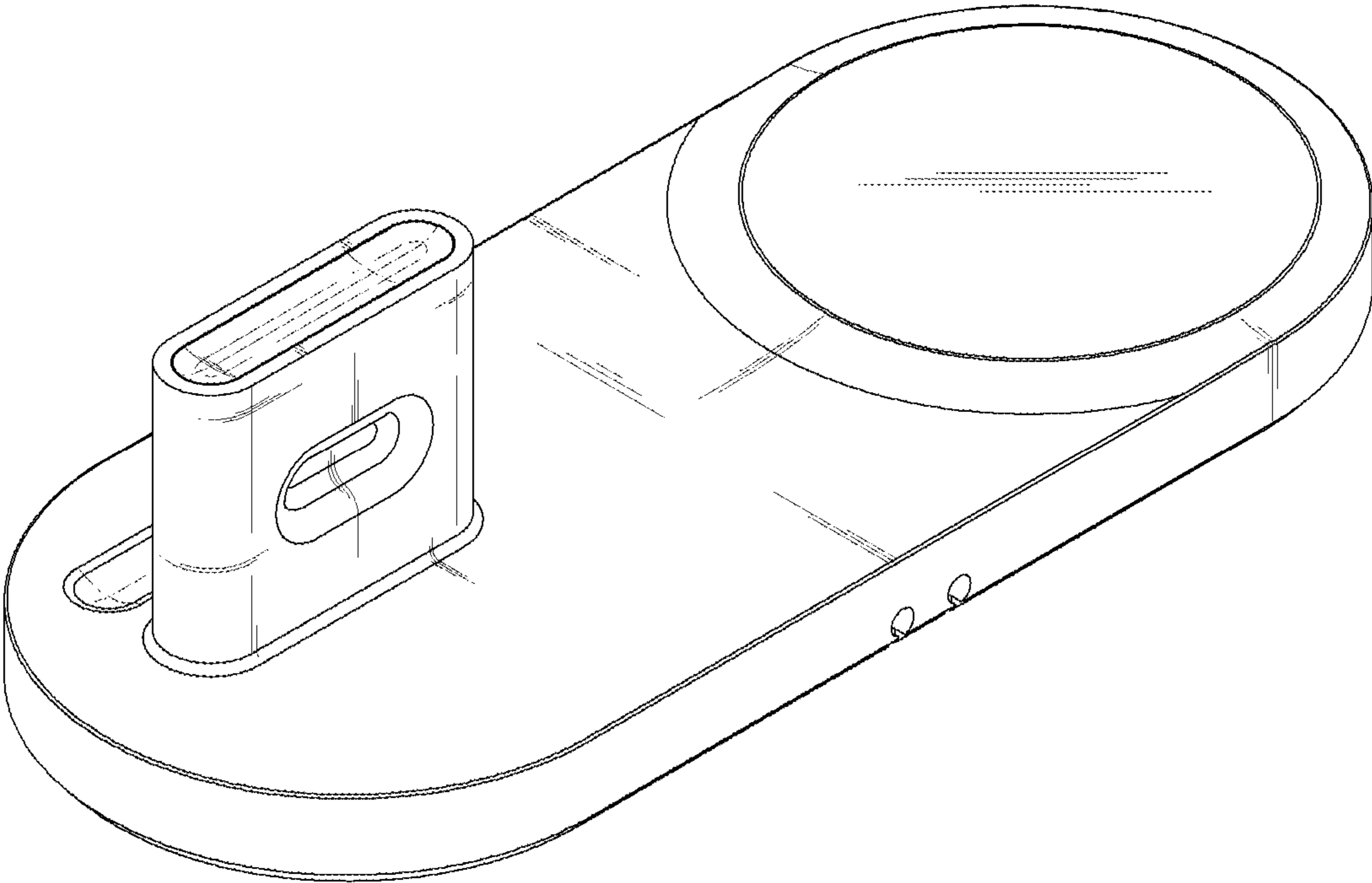


FIG. 9

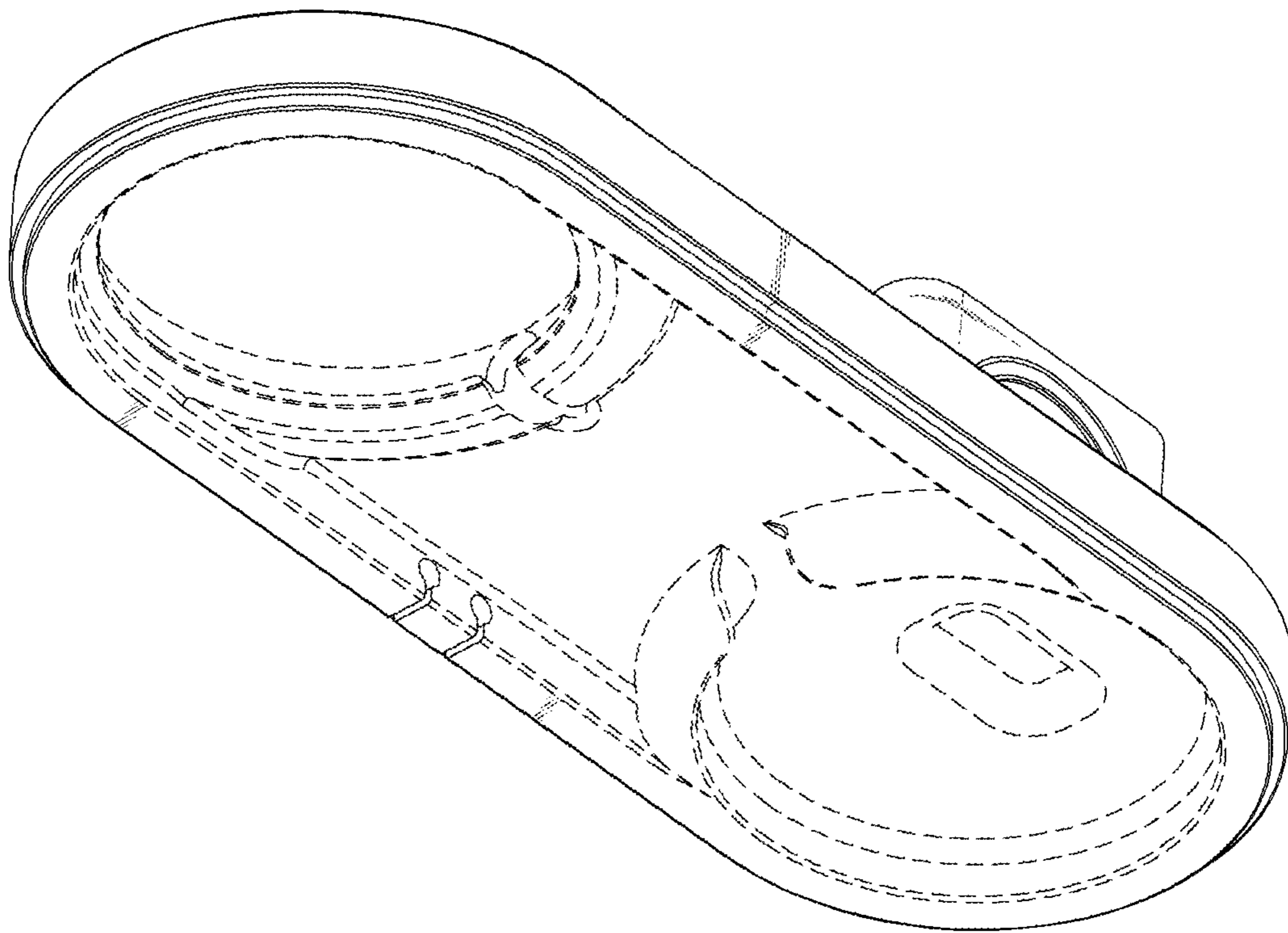




FIG. 10

