



US00D927230S

(12) **United States Design Patent** (10) **Patent No.:** **US D927,230 S**
Stravitz et al. (45) **Date of Patent:** **** Aug. 10, 2021**

(54) **DRESSER WITH STRAIGHT FRONT**

OTHER PUBLICATIONS

(71) Applicant: **Dooli Products, LLC**, New York, NY (US)

Gerridan Chest of Drawers, from ashleyfurniture.com, Retrieved Date: Jun. 10, 2021, p. 1, from https://www.ashleyfurniture.com/p/gerridan_chest_of_drawers/B1190-44.html (Year: 2021).*

(72) Inventors: **David M. Stravitz**, New York, NY (US); **Steven G Marton**, New York, NY (US)

(Continued)

(73) Assignee: **Dooli Products, LLC**, New York, NY (US)

Primary Examiner — Mimosa De

(74) *Attorney, Agent, or Firm* — Brian Roffe

(**) Term: **15 Years**

(57) **CLAIM**

The ornamental design for a dresser with a straight front, as shown and described.

(21) Appl. No.: **29/788,380**

DESCRIPTION

(22) Filed: **May 12, 2021**

Related U.S. Application Data

(63) Continuation-in-part of application No. 17/194,401, filed on Mar. 8, 2021, which is a continuation-in-part (Continued)

(51) **LOC (13) Cl.** **06-04**

(52) **U.S. Cl.**
USPC **D6/671.1**

(58) **Field of Classification Search**
USPC D6/663, 664, 664.1, 671, 671.1, 671.2, D6/671.3, 671.4

(Continued)

(56) **References Cited**

U.S. PATENT DOCUMENTS

D22,730 S 8/1893 Shoudy
D46,792 S 12/1914 Purcell

(Continued)

FOREIGN PATENT DOCUMENTS

FR 2620303 A1 3/1989
FR 2979210 A1 3/2013

(Continued)

FIG. 1 is a front perspective view of a first embodiment of a dresser with a straight front showing our new design; FIG. 2 is a rear perspective view thereof; FIG. 3 is a front elevational view thereof; FIG. 4 is a rear elevational view thereof; FIG. 5 is a top plan view thereof; FIG. 6 is a bottom plan view thereof; FIG. 7 is a right elevational view thereof; FIG. 8 is a left elevational view thereof; FIG. 9 is a front perspective view of a second embodiment of a dresser with a straight front showing our new design; FIG. 10 is a rear perspective view thereof; FIG. 11 is a front elevational view thereof; FIG. 12 is a rear elevational view thereof; FIG. 13 is a top plan view thereof; FIG. 14 is a bottom plan view thereof; FIG. 15 is a right elevational view thereof; FIG. 16 is a left elevational view thereof; FIG. 17 is a front perspective view of a third embodiment of a dresser with a straight front showing our new design; FIG. 18 is a rear perspective view thereof; FIG. 19 is a front elevational view thereof; FIG. 20 is a rear elevational view thereof; FIG. 21 is a top plan view thereof; FIG. 22 is a bottom plan view thereof; FIG. 23 is a right elevational view thereof; FIG. 24 is a left elevational view thereof;

(Continued)

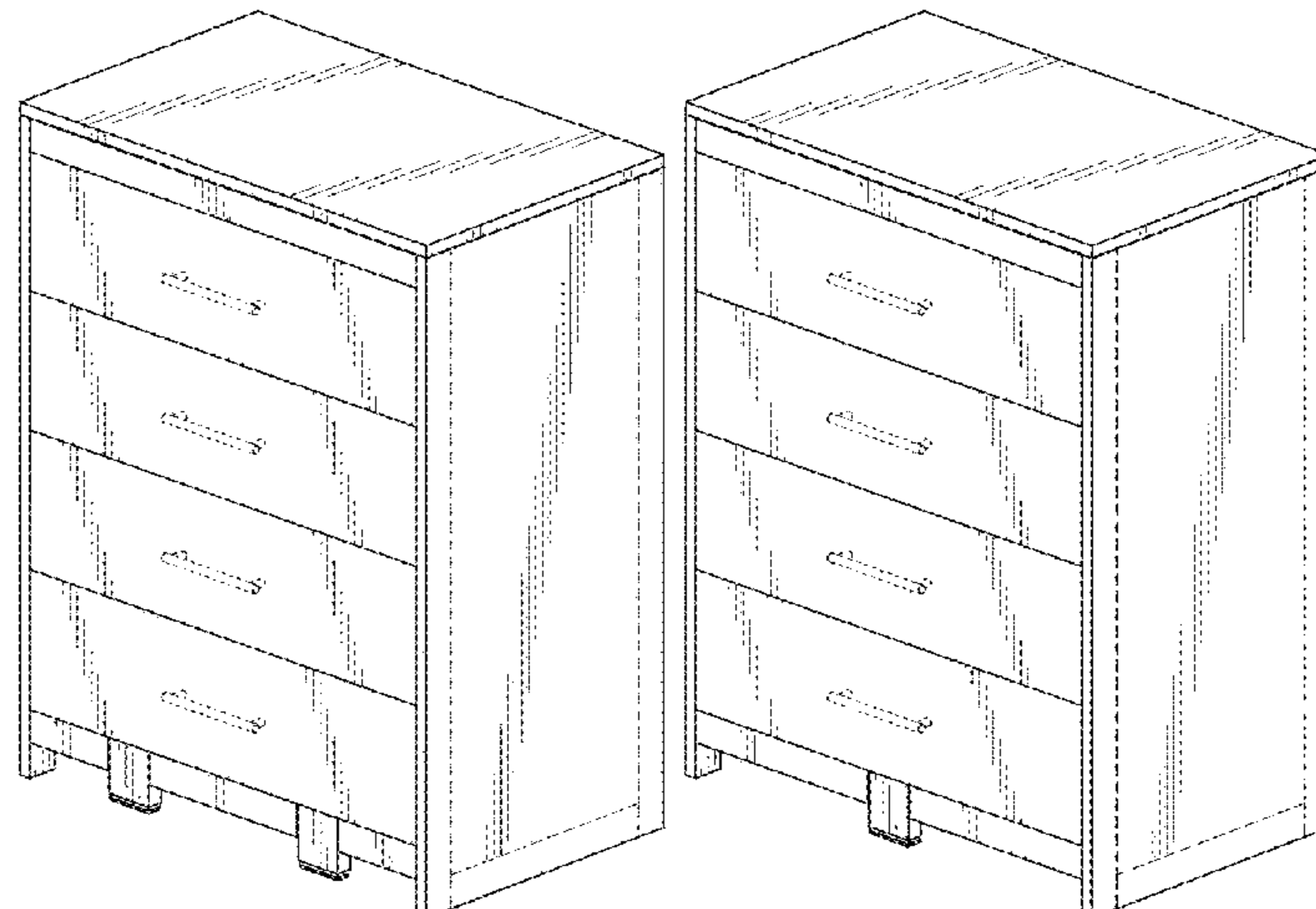


FIG. 25 is a front perspective view of a fourth embodiment of a dresser with a straight front showing our new design; FIG. 26 is a rear perspective view thereof; FIG. 27 is a front elevational view thereof; FIG. 28 is a rear elevational view thereof; FIG. 29 is a top plan view thereof; FIG. 30 is a bottom plan view thereof; FIG. 31 is a right elevational view thereof; and, FIG. 32 is a left elevational view thereof. The broken lines show portions of the dresser with a straight front, which form no part of the claimed design.

1 Claim, 16 Drawing Sheets

Related U.S. Application Data

of application No. 17/094,979, filed on Nov. 11, 2020, now Pat. No. 10,939,761, which is a continuation-in-part of application No. 16/992,397, filed on Aug. 13, 2020, now Pat. No. 10,905,241, which is a continuation of application No. 16/986,932, filed on Aug. 6, 2020, now Pat. No. 10,813,456, which is a continuation-in-part of application No. 16/799,909, filed on Feb. 25, 2020, now Pat. No. 10,758,046, and a continuation-in-part of application No. 16/799,941, filed on Feb. 25, 2020, now Pat. No. 10,786,080.

(58) **Field of Classification Search**

CPC A47B 17/04; A47B 45/00; A47B 47/04; A47B 47/03; A47B 67/00; A47B 67/04; A47B 88/00; A47B 88/40; A47B 88/42
See application file for complete search history.

(56) **References Cited**

U.S. PATENT DOCUMENTS

1,233,775	A	7/1917	Hagar	
1,376,203	A	4/1921	Payne	
1,730,391	A	10/1929	Stobba	
2,104,214	A	1/1938	Vezina	
D182,833	S	5/1958	Lubbert et al.	
D215,731	S *	10/1969	Solie	D6/671.1
4,120,549	A	10/1978	Bureau	
D251,885	S	5/1979	Tebbe et al.	
4,214,323	A	7/1980	Thomas	
D272,398	S *	1/1984	West	D6/671.1
D272,497	S *	2/1984	Kemp, III	D6/671.1
4,669,695	A	6/1987	Chou	
D305,485	S	1/1990	Zalesak	
4,890,813	A	1/1990	Johnson et al.	
5,013,103	A	5/1991	Addison	
5,076,525	A	12/1991	Whipple	
5,174,543	A	12/1992	Corson et al.	
D333,578	S *	3/1993	White	D6/671.1
5,192,123	A	3/1993	Wallin	
D339,938	S	10/1993	Fisher	
D347,337	S *	5/1994	Keller	D6/671.1
5,352,031	A	10/1994	Nahrgang	
5,431,365	A	7/1995	Hopkins	
5,599,000	A	2/1997	Bennett	
D384,525	S *	10/1997	McBrayer	D6/671.1
5,794,903	A	8/1998	Peterson, II	
D424,833	S	5/2000	Zaidman	
6,068,355	A	5/2000	Thorp	
6,220,562	B1	4/2001	Konkle	
D467,096	S	12/2002	DiCostanzo	
6,508,525	B2	1/2003	Picogna	

6,533,238	B2	3/2003	Barnes et al.	
D473,401	S *	4/2003	de Blois	D6/671.1
D503,564	S *	4/2005	Juneau	D6/671.1
D508,347	S	8/2005	Juneau et al.	
D512,903	S	12/2005	Gallien	
D514,846	S	2/2006	McDiarmid	
D518,975	S	4/2006	Mohundro	
7,185,872	B2	3/2007	Lowenstein, Jr.	
D542,057	S	5/2007	Juneau	
7,287,820	B2	10/2007	Van Loon et al.	
D555,394	S	11/2007	Sexton	
D586,147	S	2/2009	Tsay et al.	
D599,136	S	9/2009	Jeup	
D605,742	S	12/2009	Bock et al.	
D606,180	S	12/2009	Bock et al.	
D606,634	S	12/2009	Bock et al.	
D606,635	S	12/2009	Bock et al.	
D611,267	S	3/2010	Collette	
D617,117	S	6/2010	Tovin	
7,775,498	B2	8/2010	Phillips et al.	
D625,305	S	10/2010	Bieck et al.	
9,163,842	B2	10/2015	Adams et al.	
9,578,965	B2	2/2017	Hamaba et al.	
D790,888	S *	7/2017	Everson	D6/671.1
9,955,785	B2	5/2018	Kato	
10,113,687	B2	10/2018	Wise	
10,321,762	B2	6/2019	Muskopf	
D862,135	S	10/2019	Birch	
D867,791	S *	11/2019	Birch	D6/671
10,524,572	B2	1/2020	Lercher	
10,758,046	B1	9/2020	Stravitz et al.	
10,786,080	B1	9/2020	Stravitz et al.	
10,812,456	B2	10/2020	Pollet et al.	
10,813,456	B1	10/2020	Stravitz et al.	
10,856,659	B1	12/2020	Stravitz et al.	
10,905,241	B1	2/2021	Stravitz et al.	
10,939,761	B1	3/2021	Stravitz et al.	
2003/0010886	A1	1/2003	Barnes et al.	
2003/0221593	A1	12/2003	Usagani	
2006/0207989	A1	9/2006	Ritchie et al.	
2006/0265806	A1	11/2006	Stevenson	
2007/0039640	A1	2/2007	Zheng	
2011/0043088	A1	2/2011	McConnell et al.	
2013/0087675	A1	4/2013	Miller	
2014/0263925	A1	9/2014	Essrig	
2015/0130339	A1	5/2015	Barnett	
2015/0130342	A1	5/2015	Barnett	
2017/0021958	A1	1/2017	Shelton	
2018/0168344	A1	6/2018	Arrillaga Albeniz	
2018/0209580	A1	7/2018	Wise	
2019/0150617	A1	5/2019	Lager et al.	
2019/0365098	A1	12/2019	Johannesson	

FOREIGN PATENT DOCUMENTS

JP	3014942	U	8/1995
KR	200484018	Y1	7/2017
KR	10194900	B1	2/2018
RU	2315537	C2	1/2008
WO	0024293	A1	5/2000

OTHER PUBLICATIONS

No, Dressers Don't Need to Be Anchored to a Wall, by John Brownlee, Jul. 13, 2016, downloaded Jan. 26, 2020.
DE20116637 Zerver; Abstract and figure (2001).
CN209474157 Chang et al.; Abstract and figure (2019).
English translation FR 2620303, 1989.
International Search Report for PCT/US2020/063547 dated Mar. 25, 2021.
Written Opinion for PCT/US2020/063547 dated Mar. 25, 2021.

* cited by examiner

FIG. 1

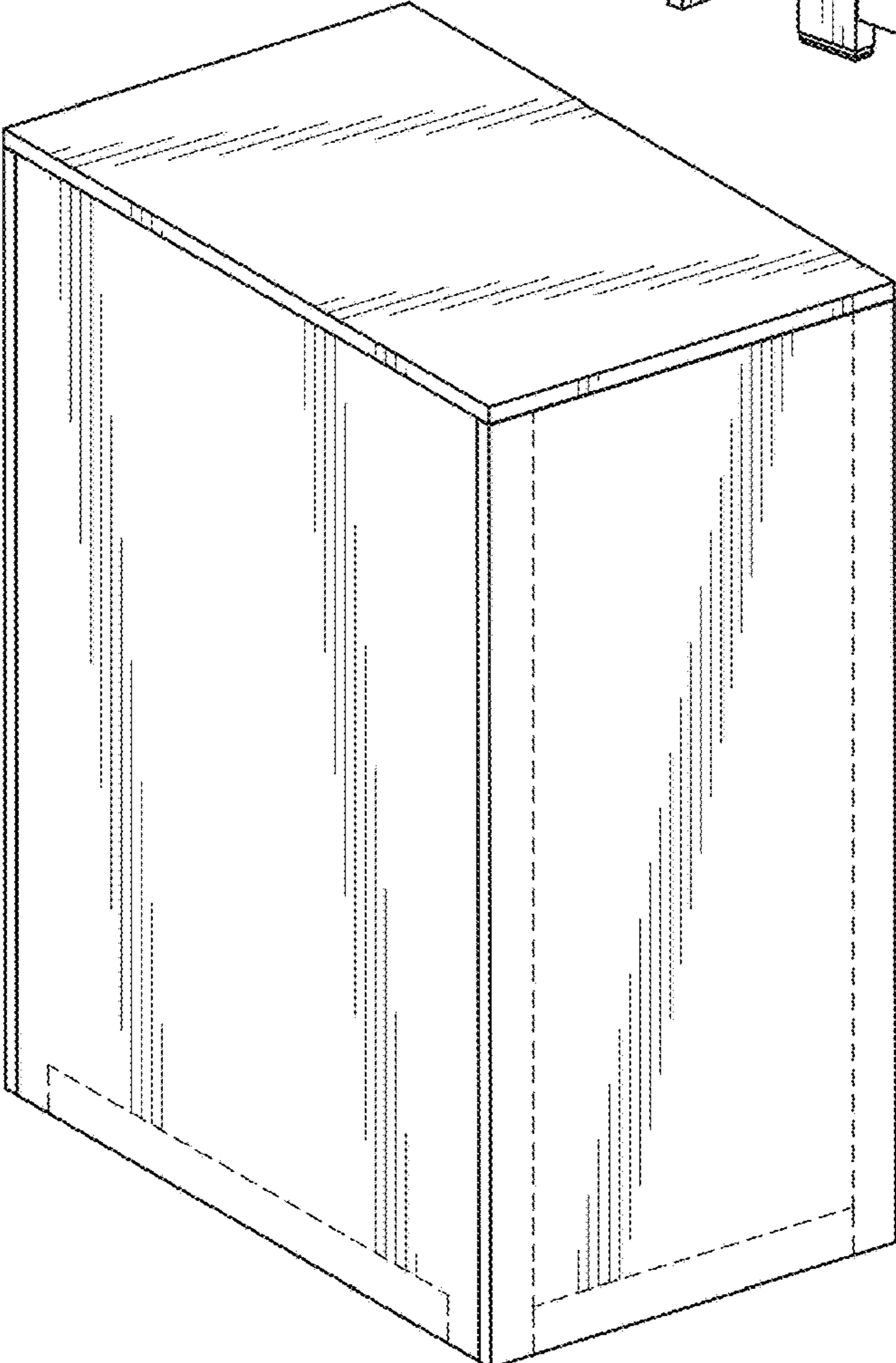
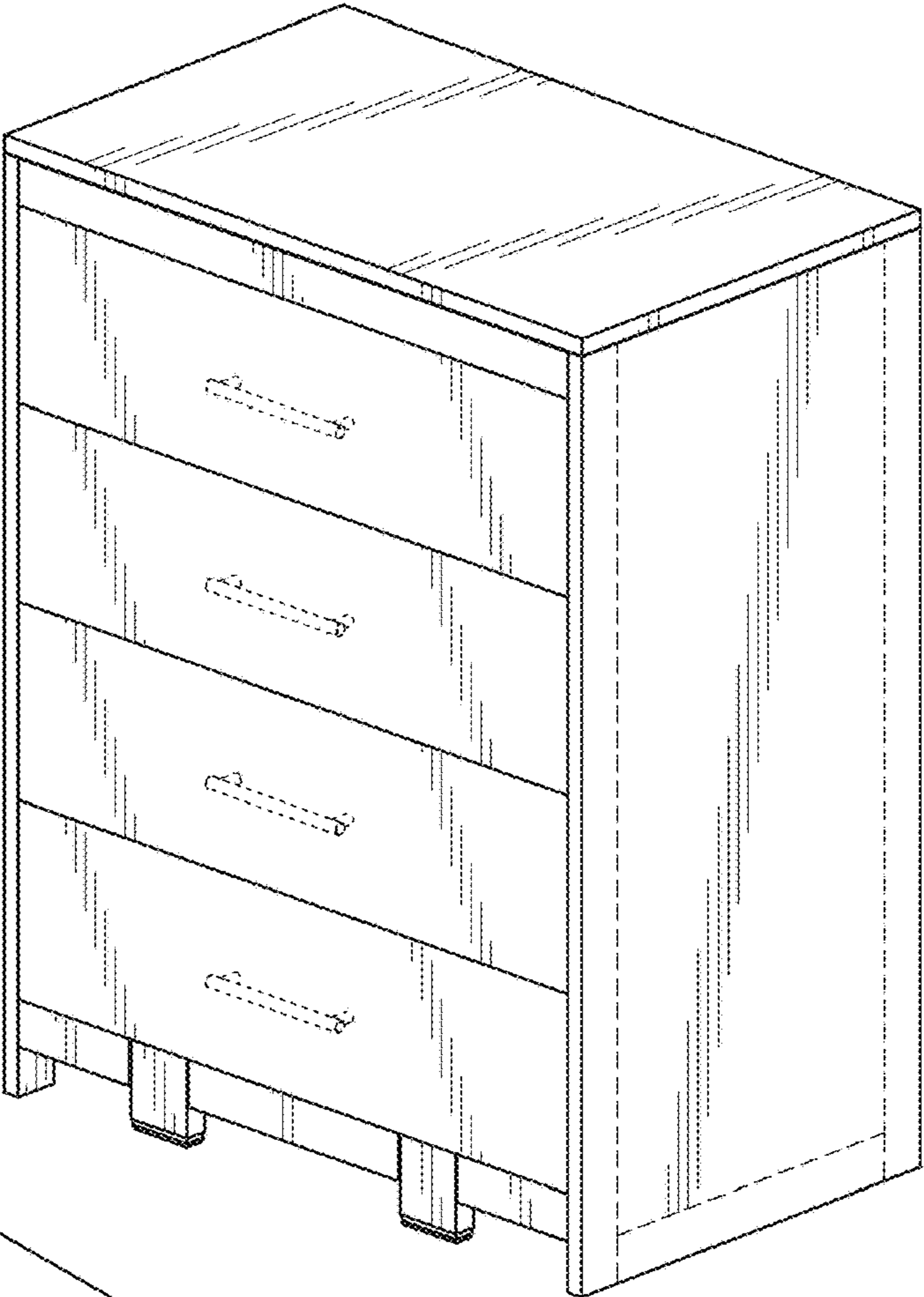


FIG. 2

FIG. 3

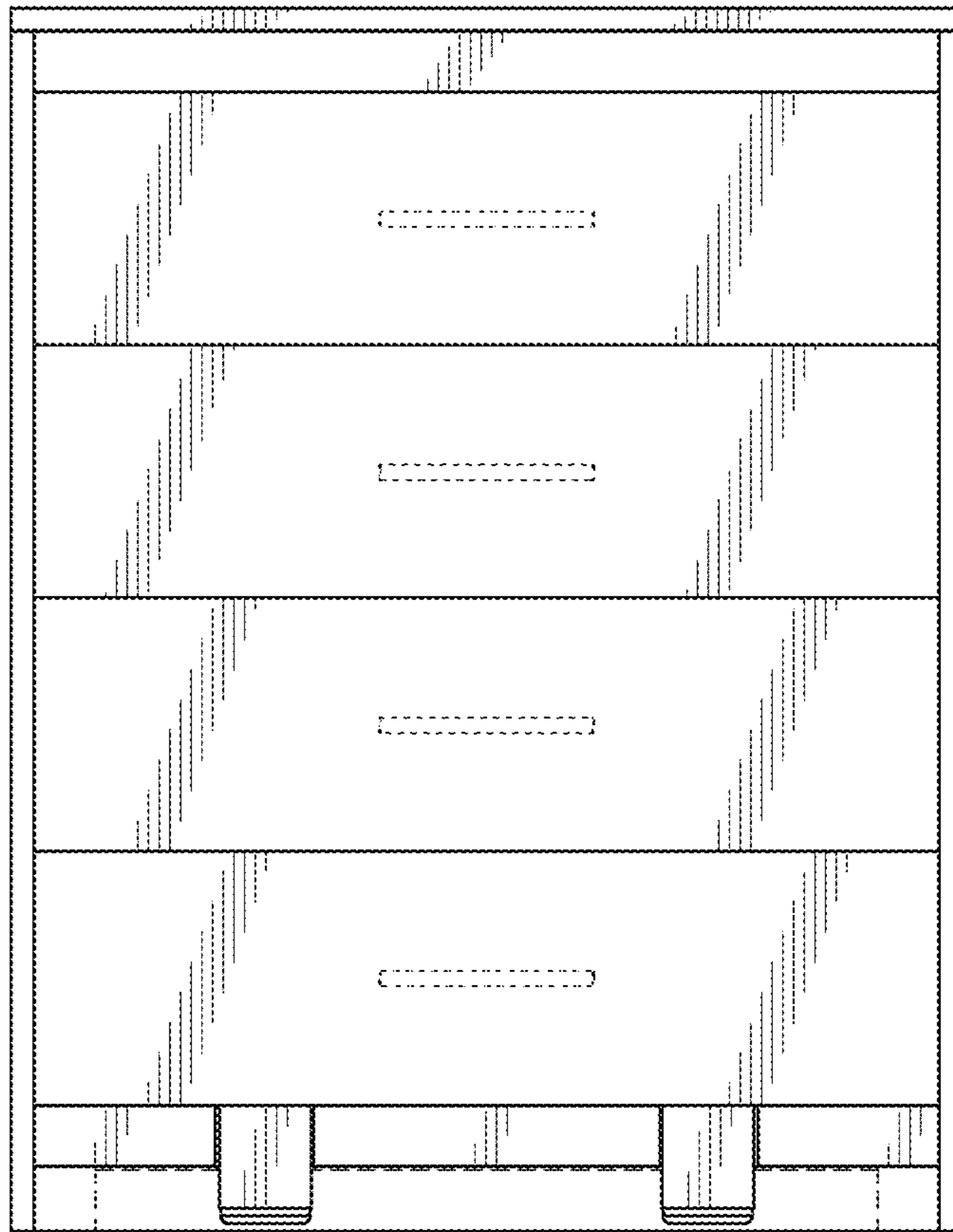
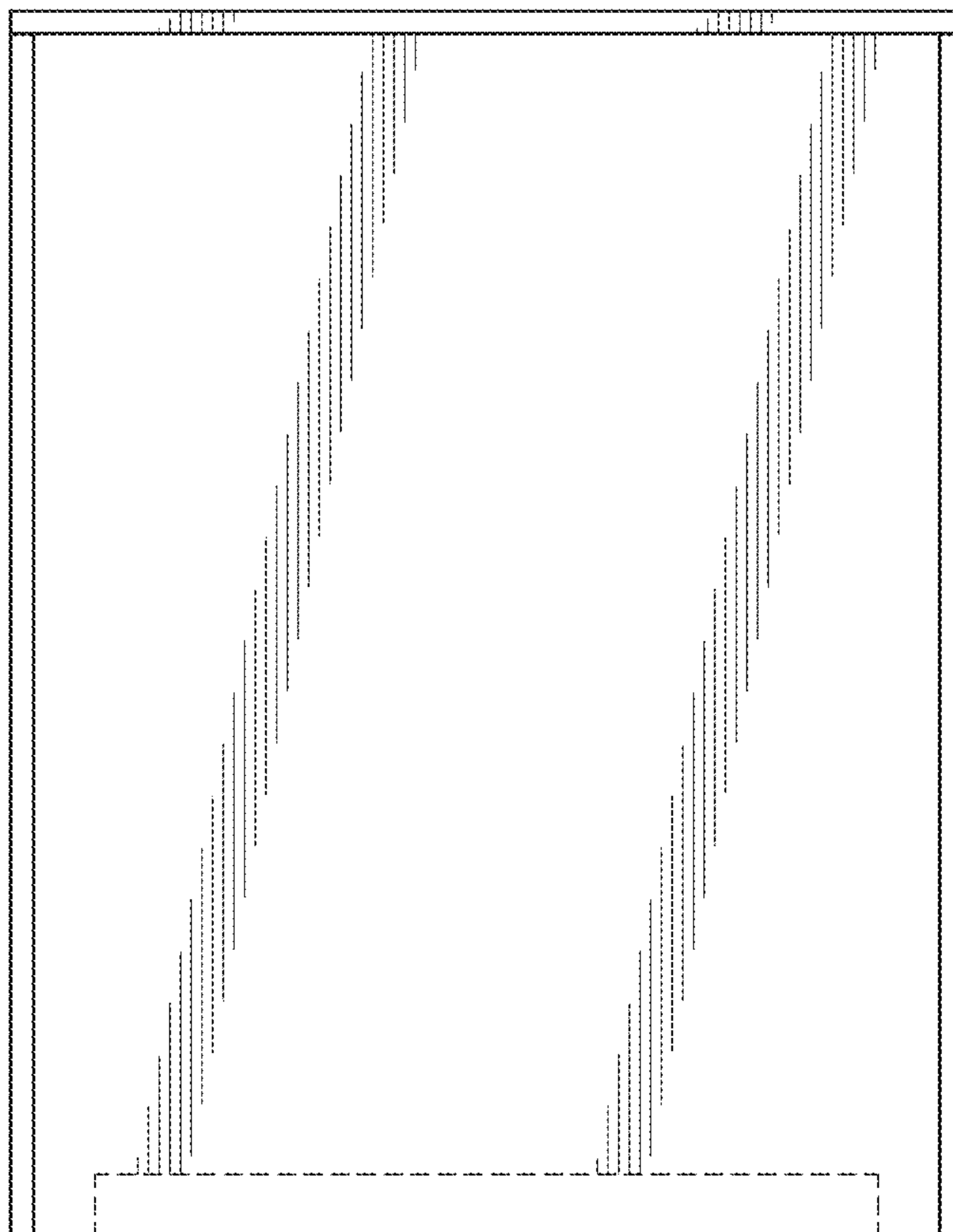


FIG. 4



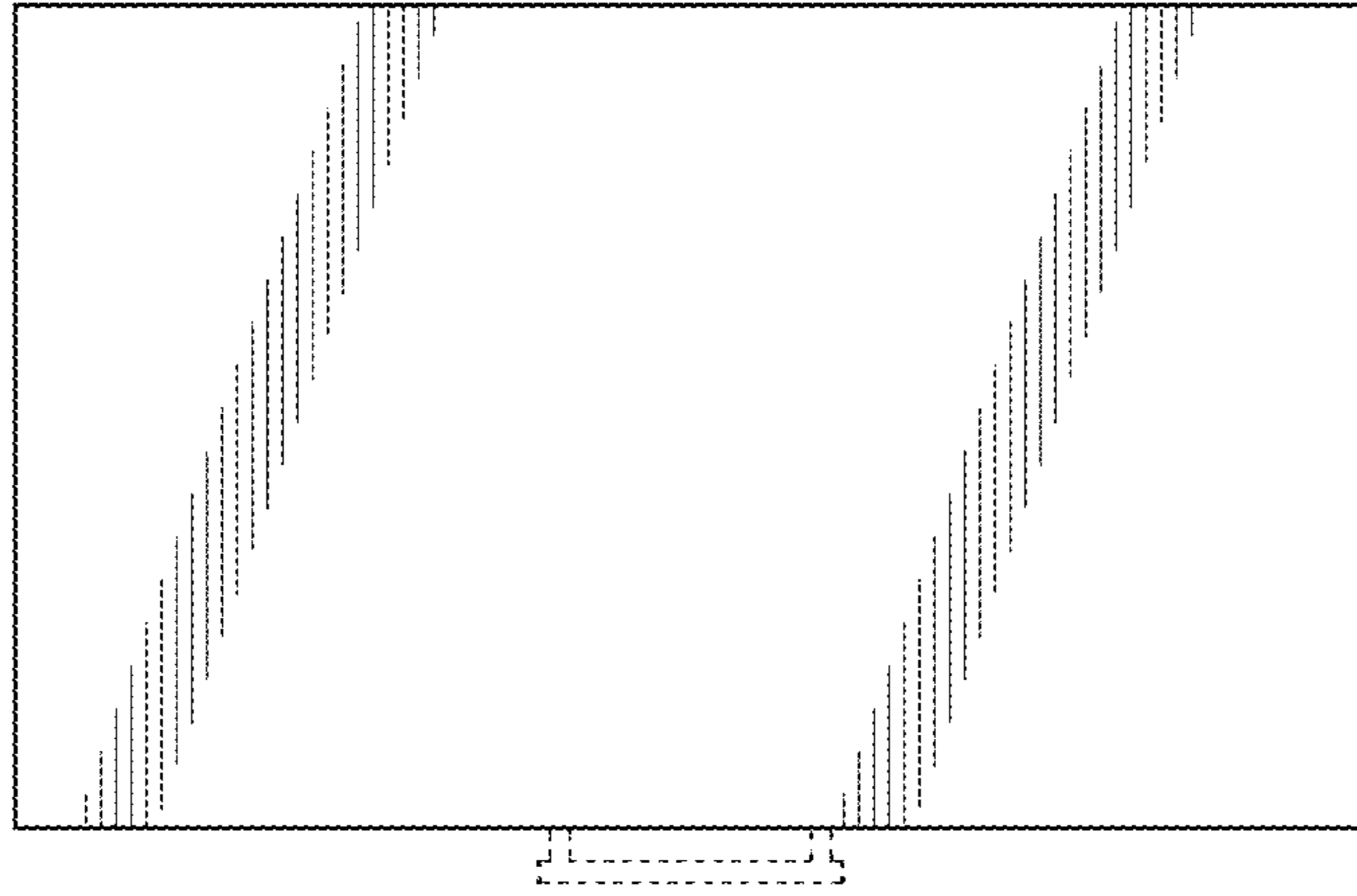


FIG. 5

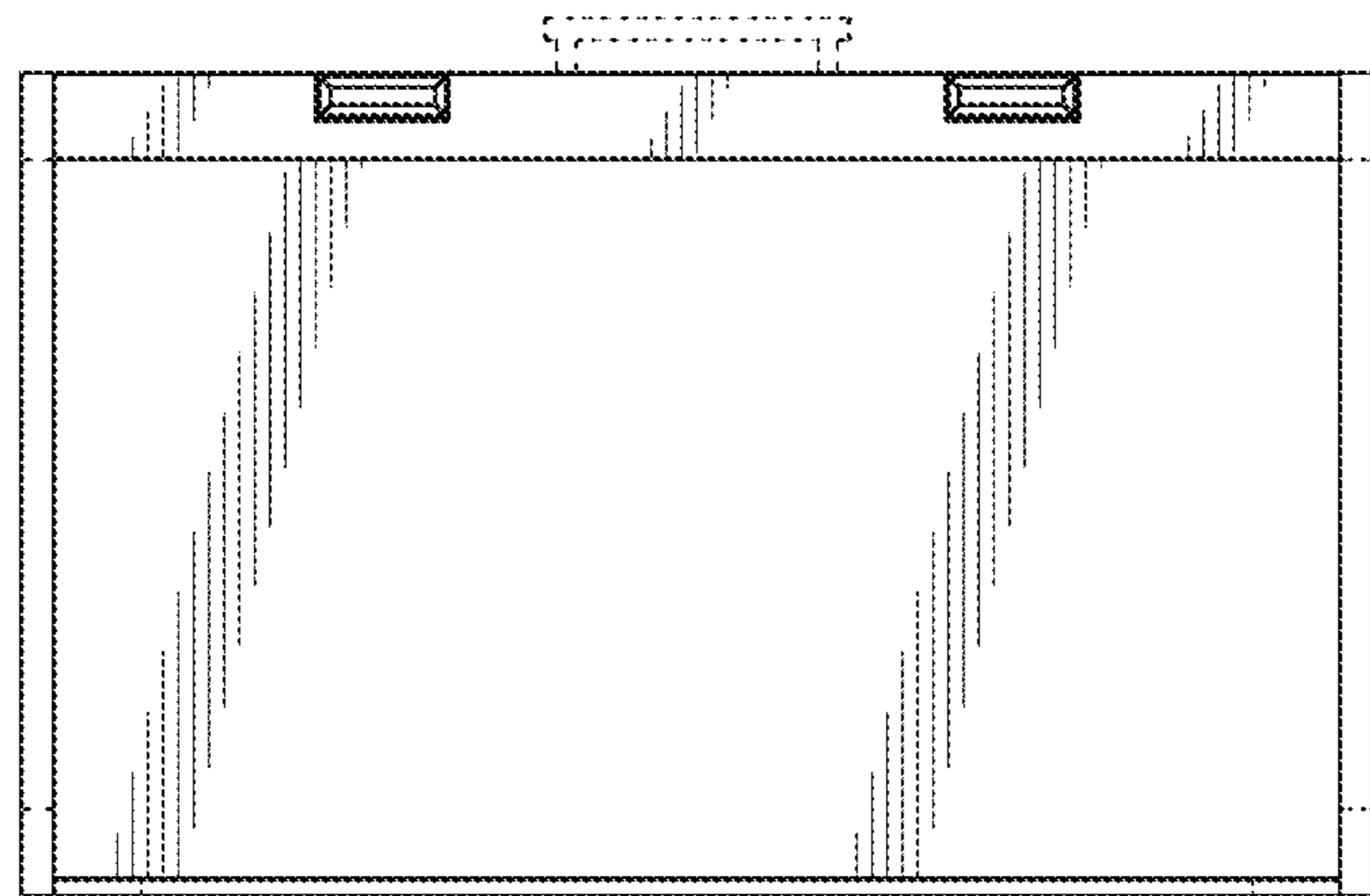


FIG. 6

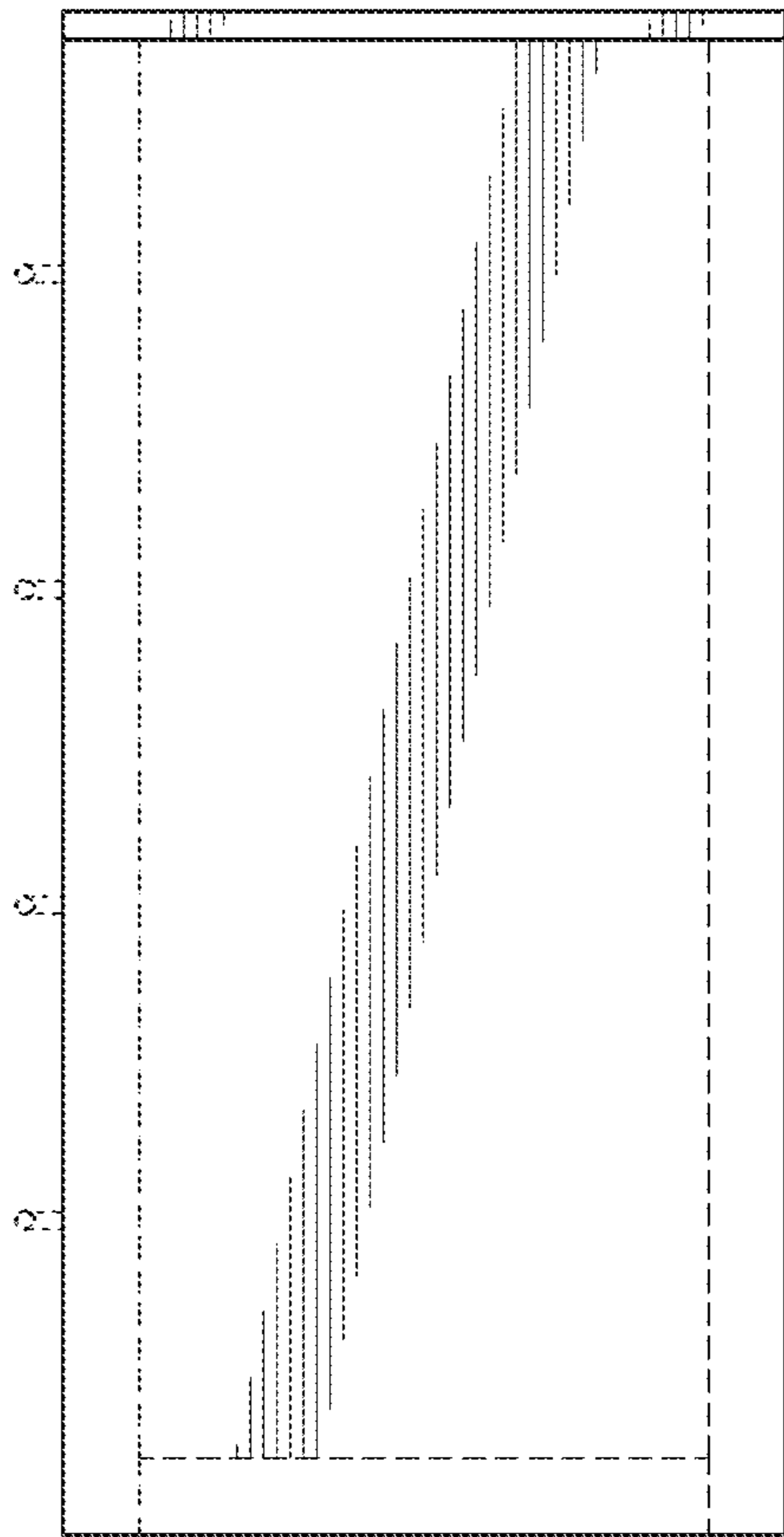


FIG. 7

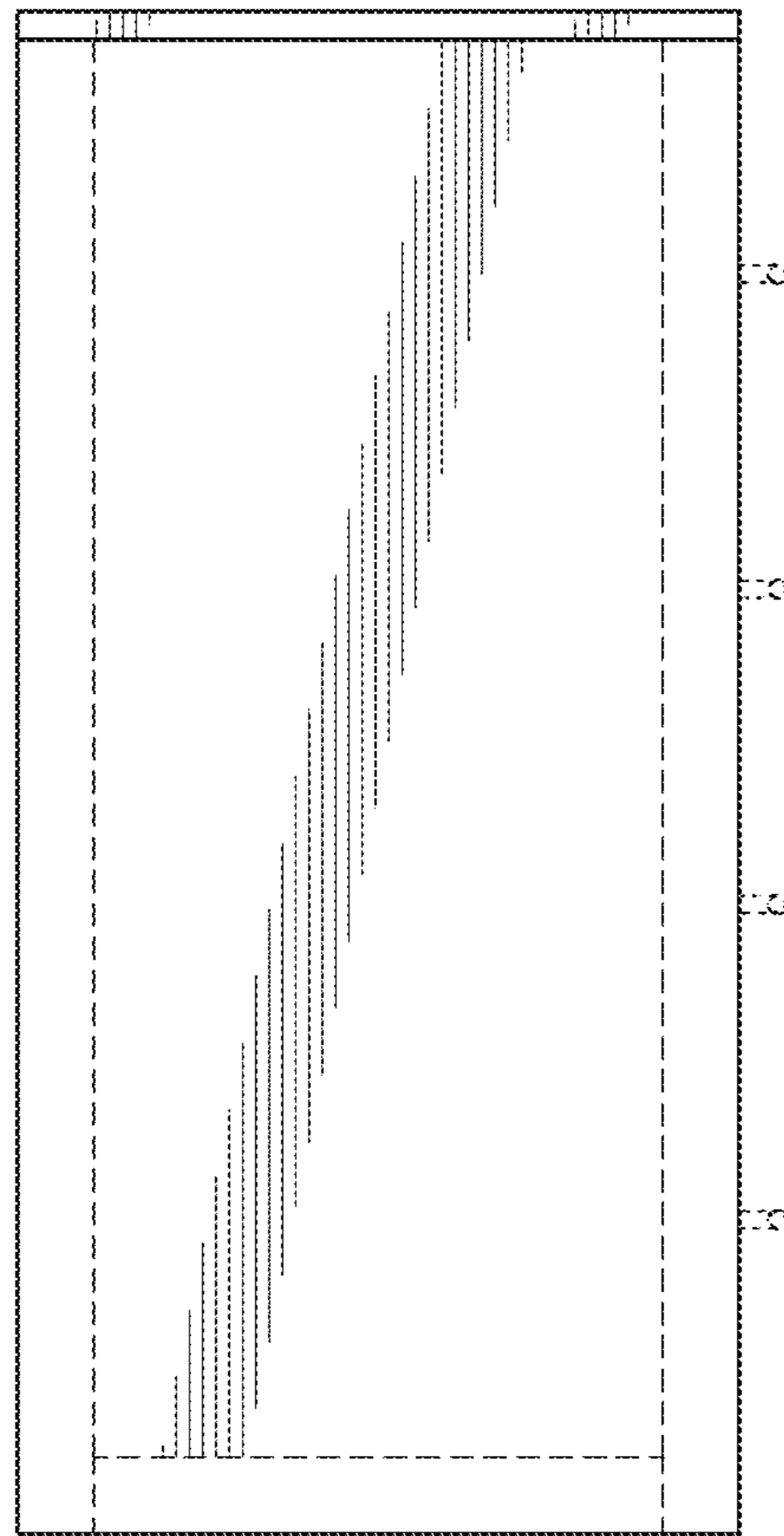


FIG. 8

FIG. 9

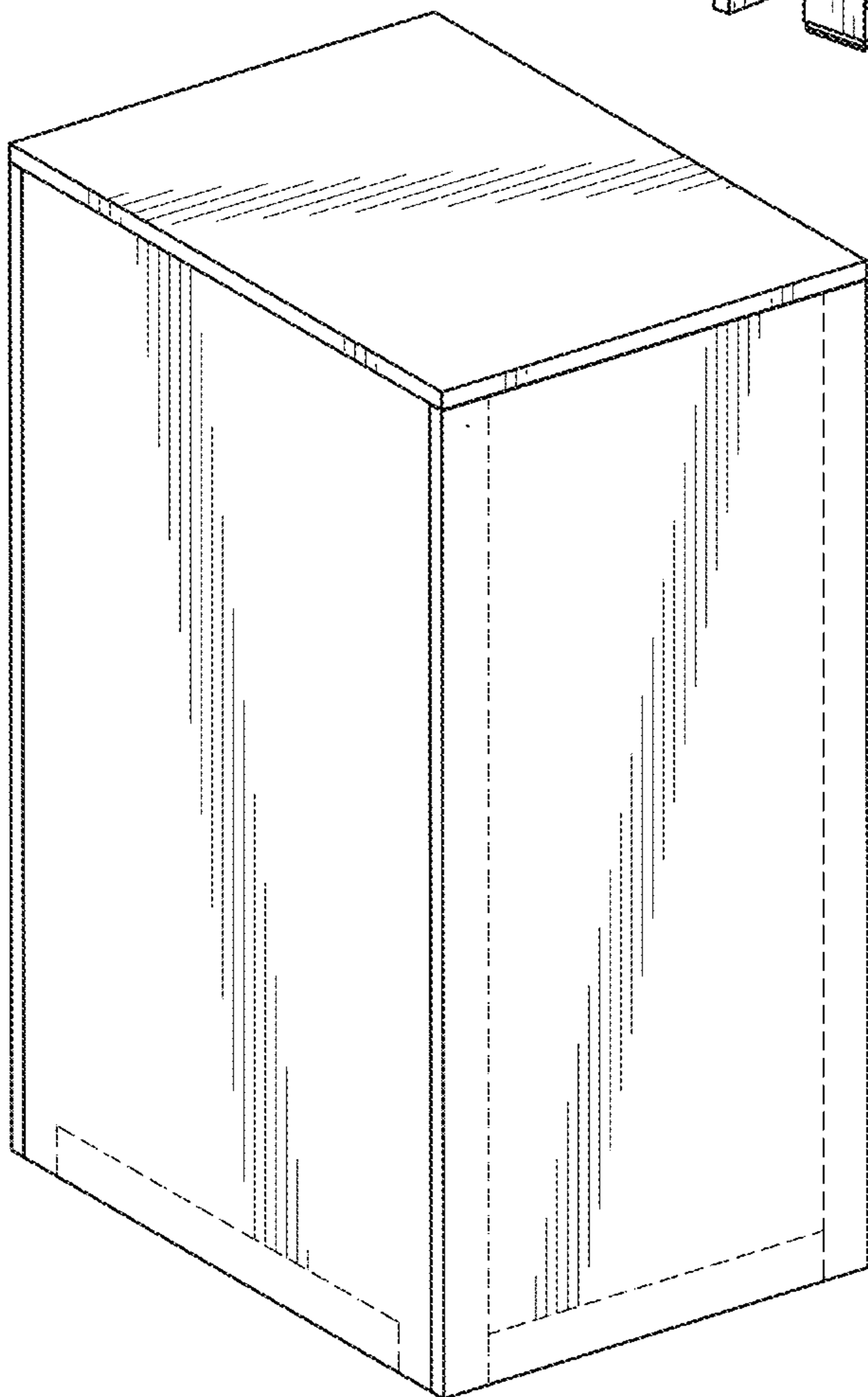
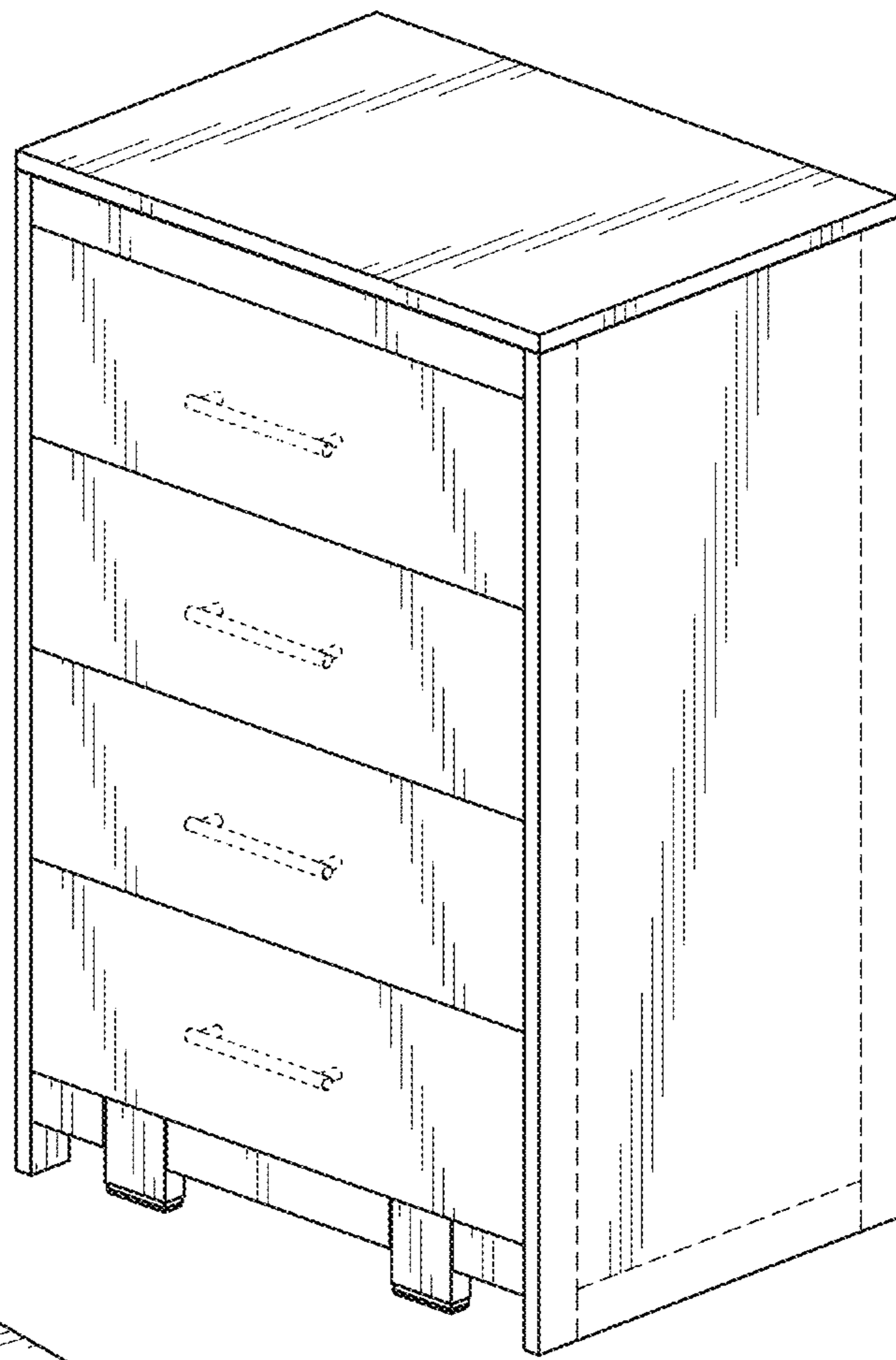


FIG. 10

FIG. 11

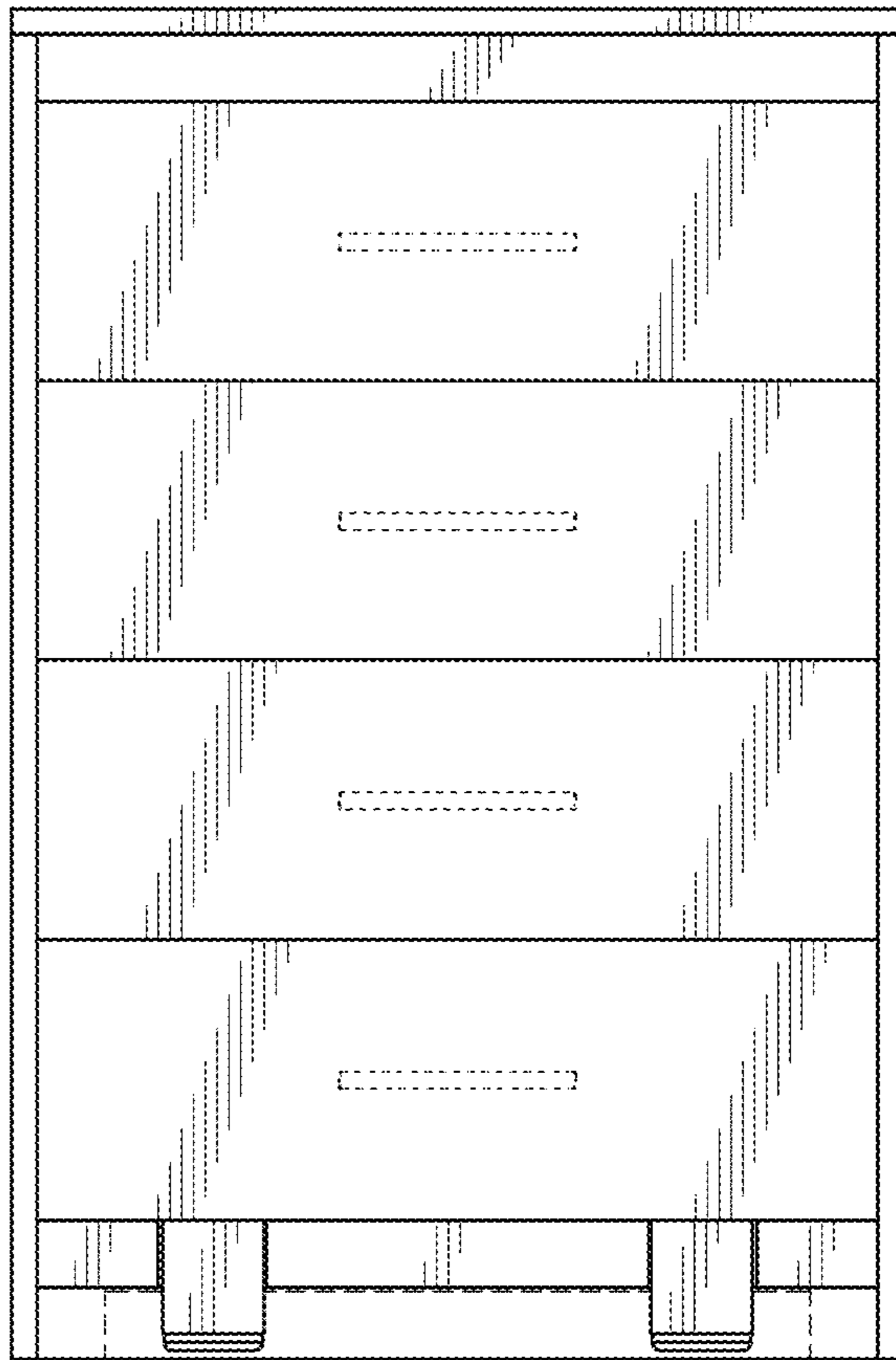
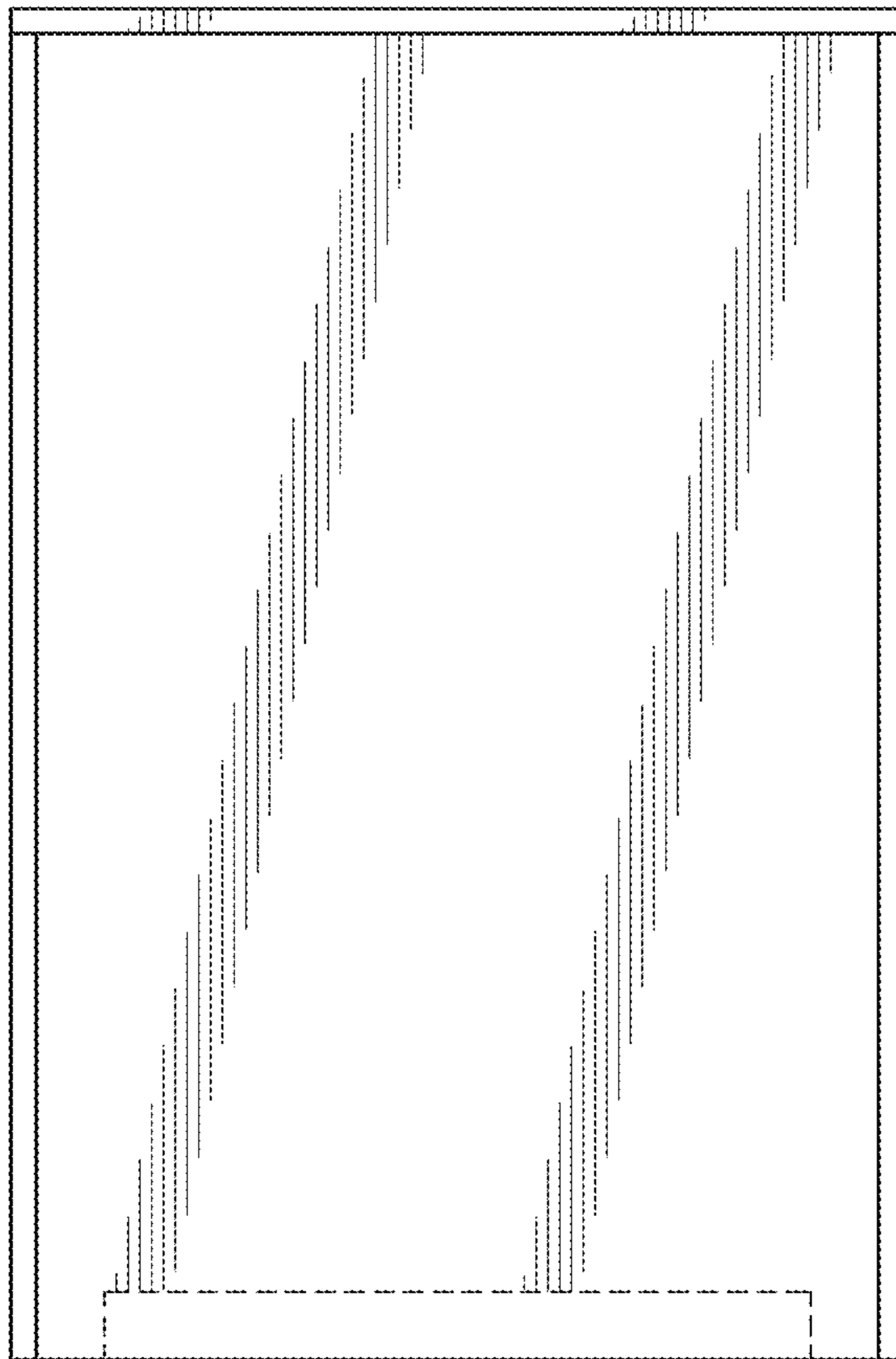


FIG. 12



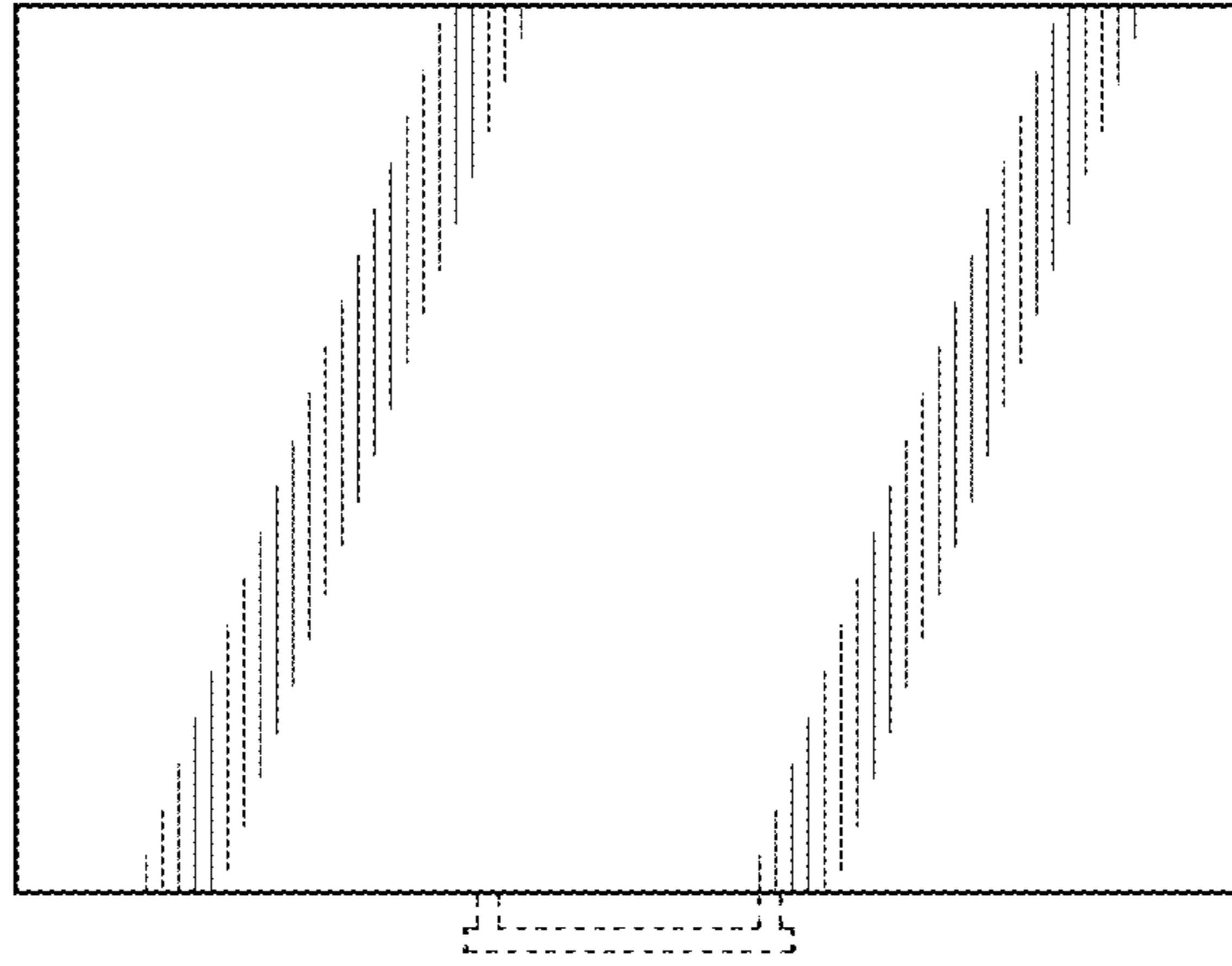


FIG. 13

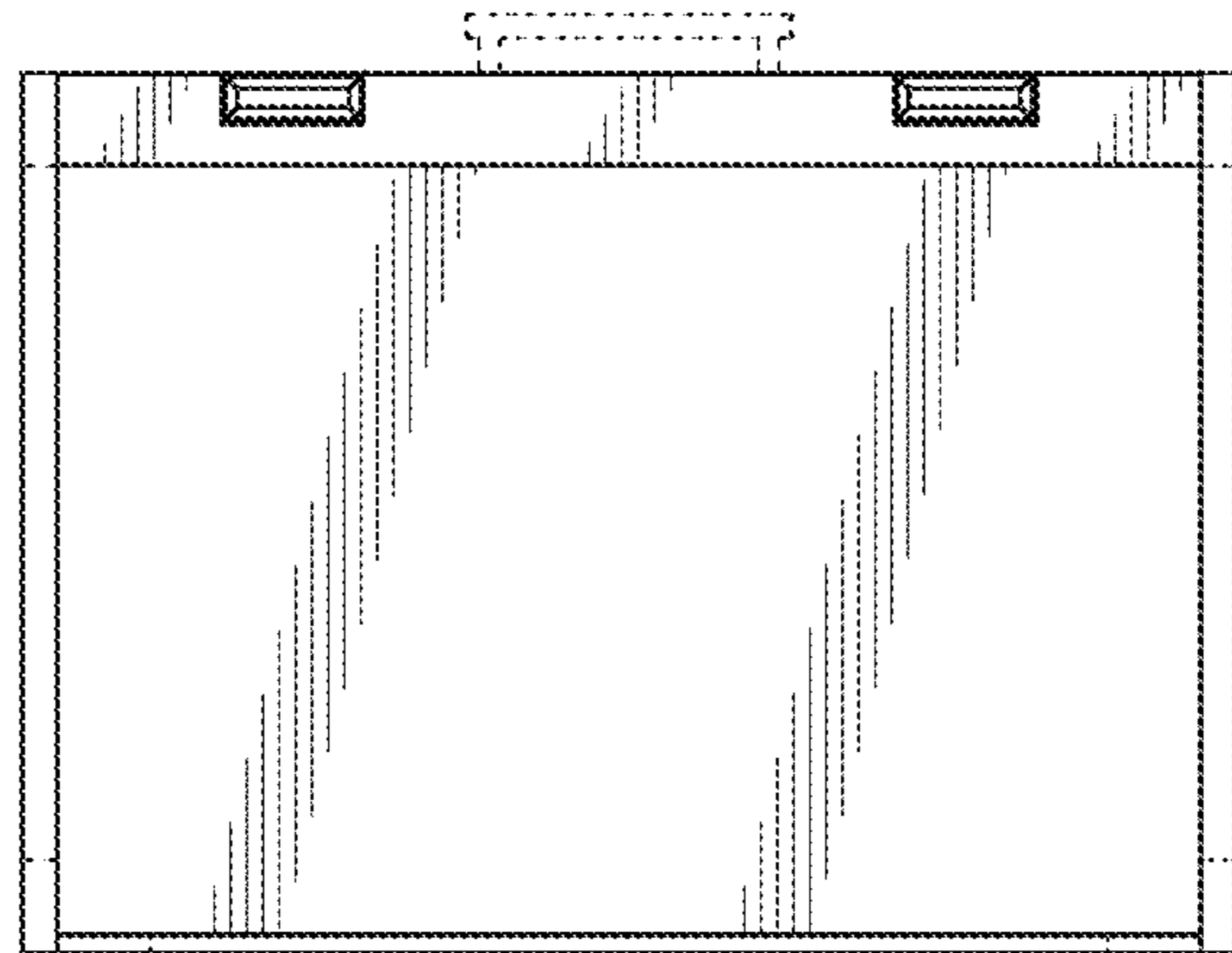


FIG. 14

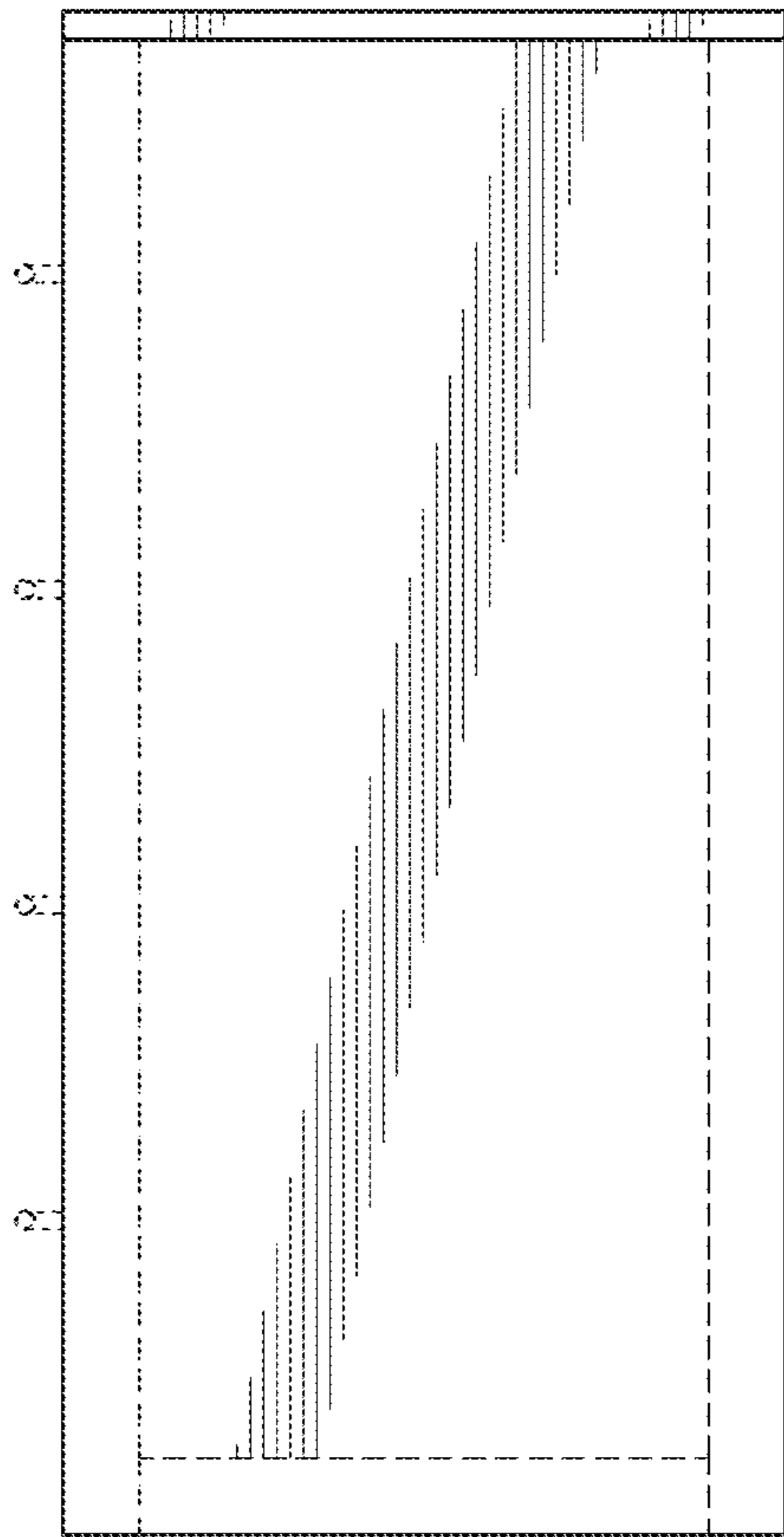


FIG. 15

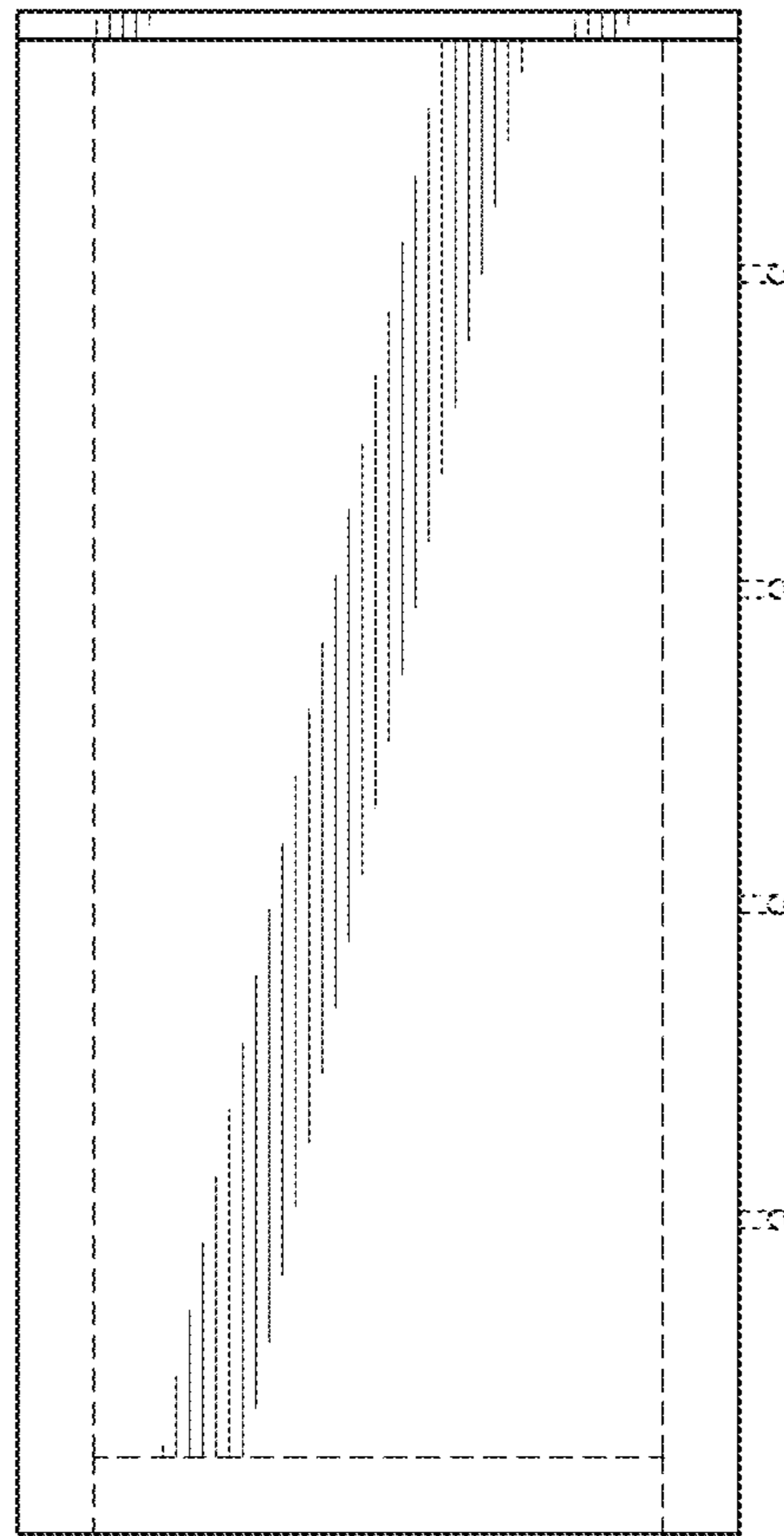


FIG. 16

FIG. 17

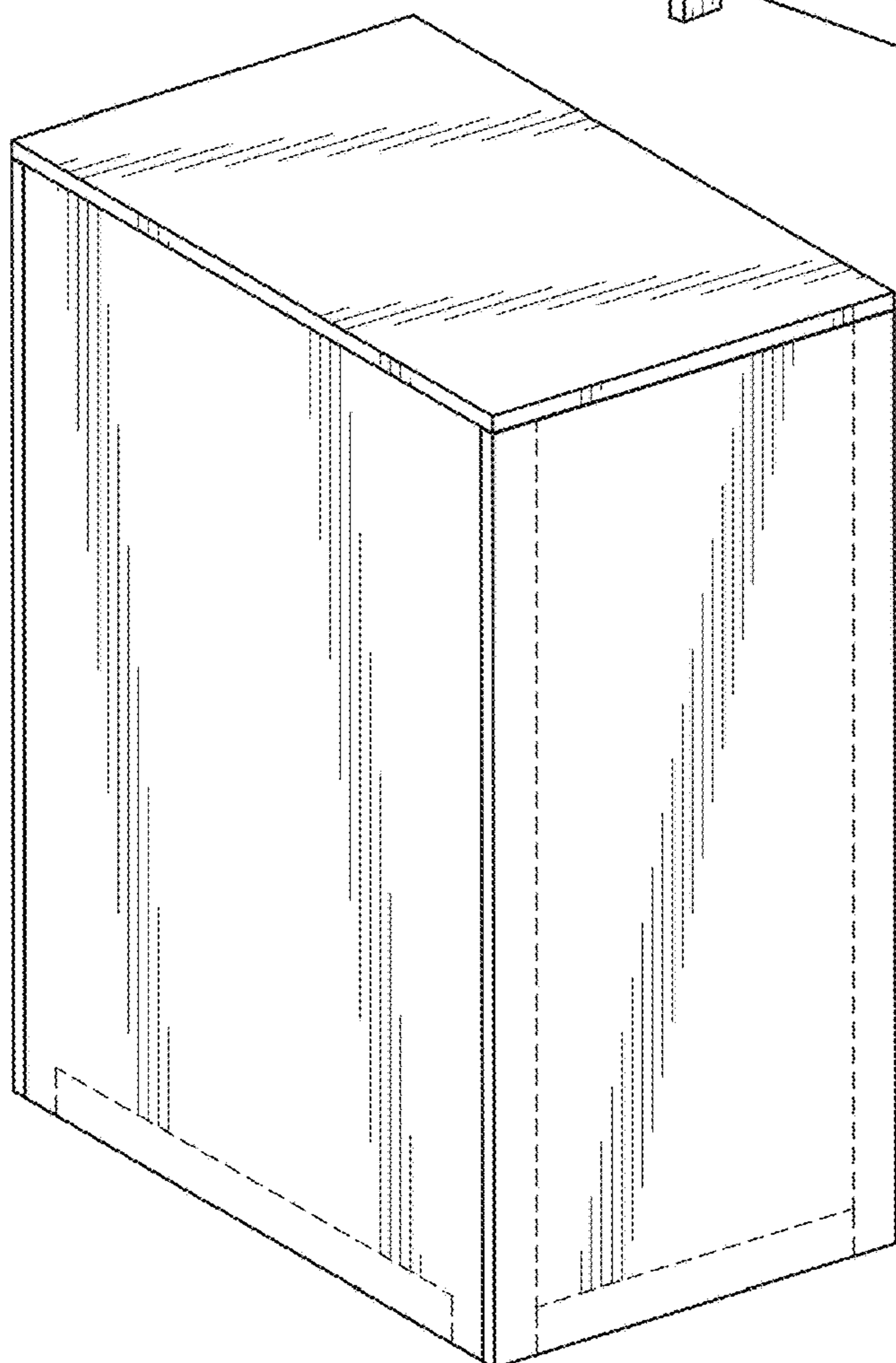
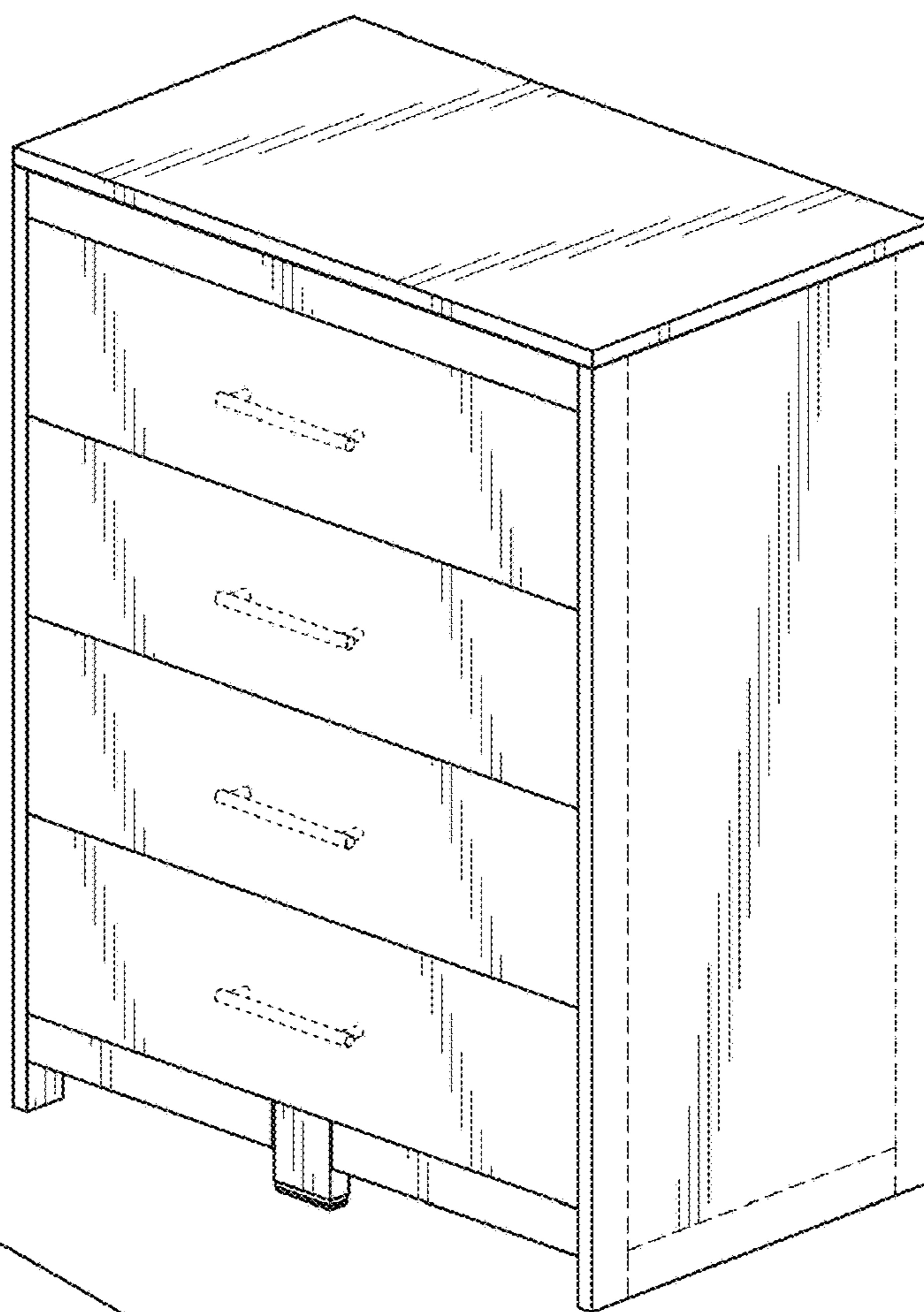


FIG. 18

FIG. 19

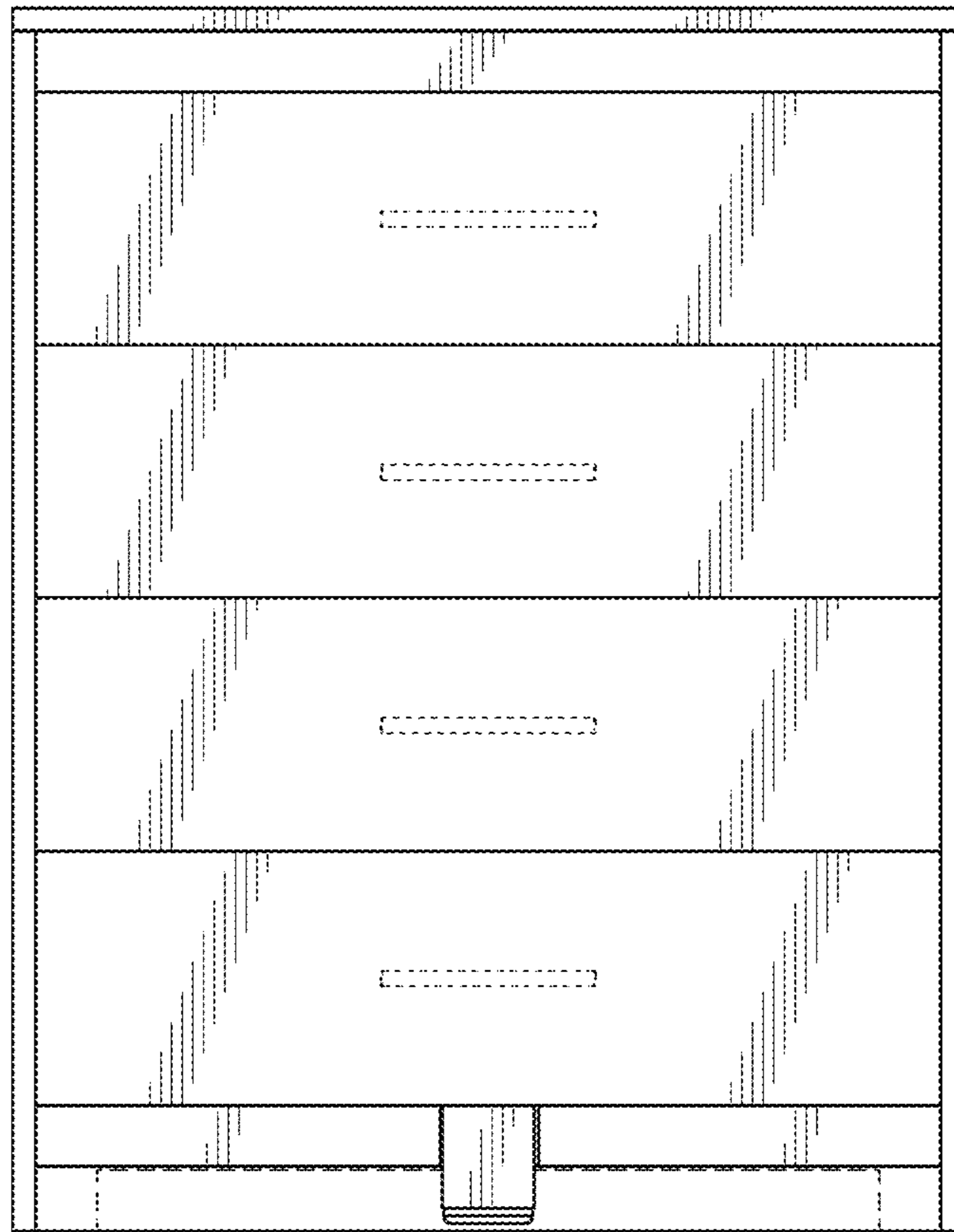
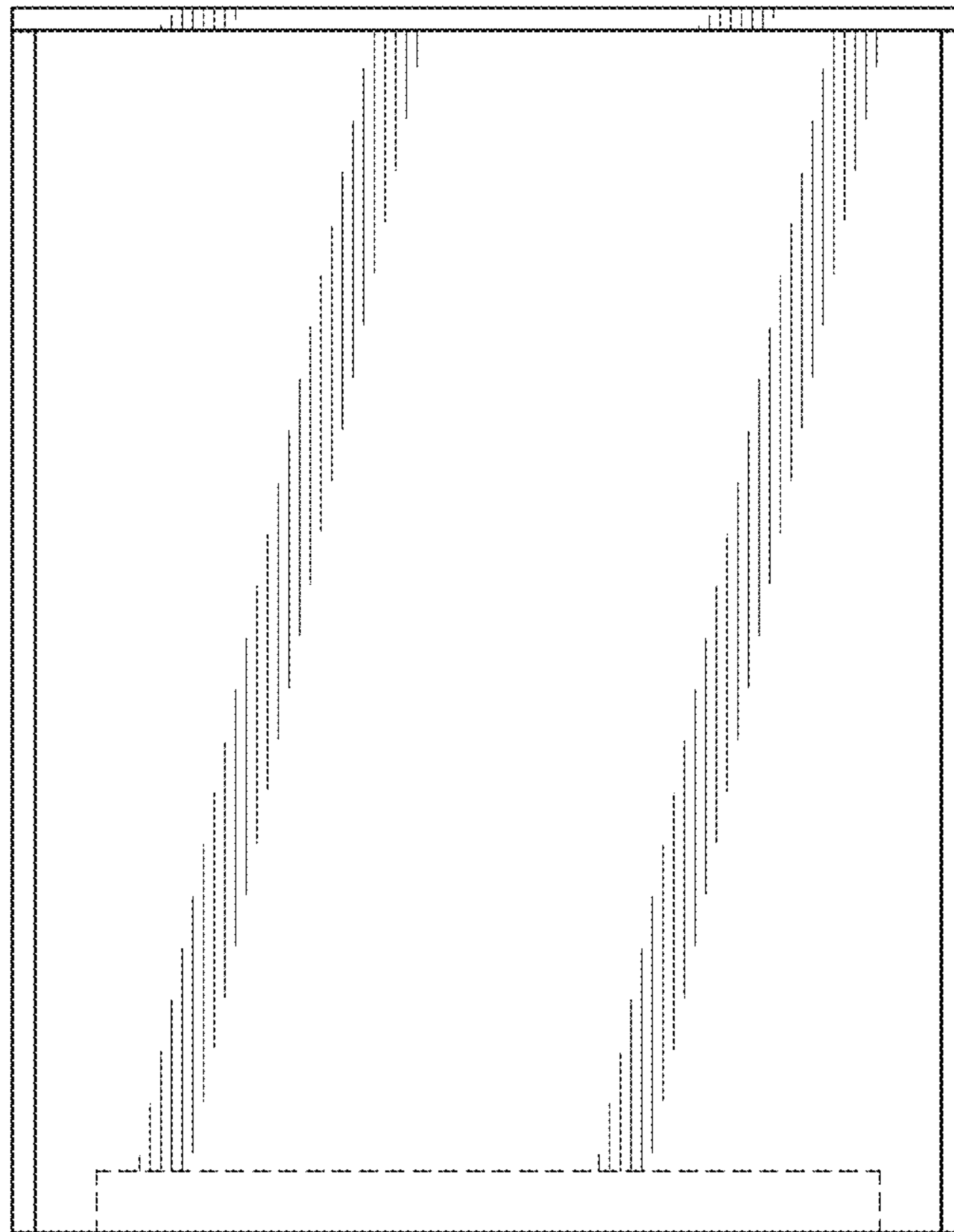


FIG. 20



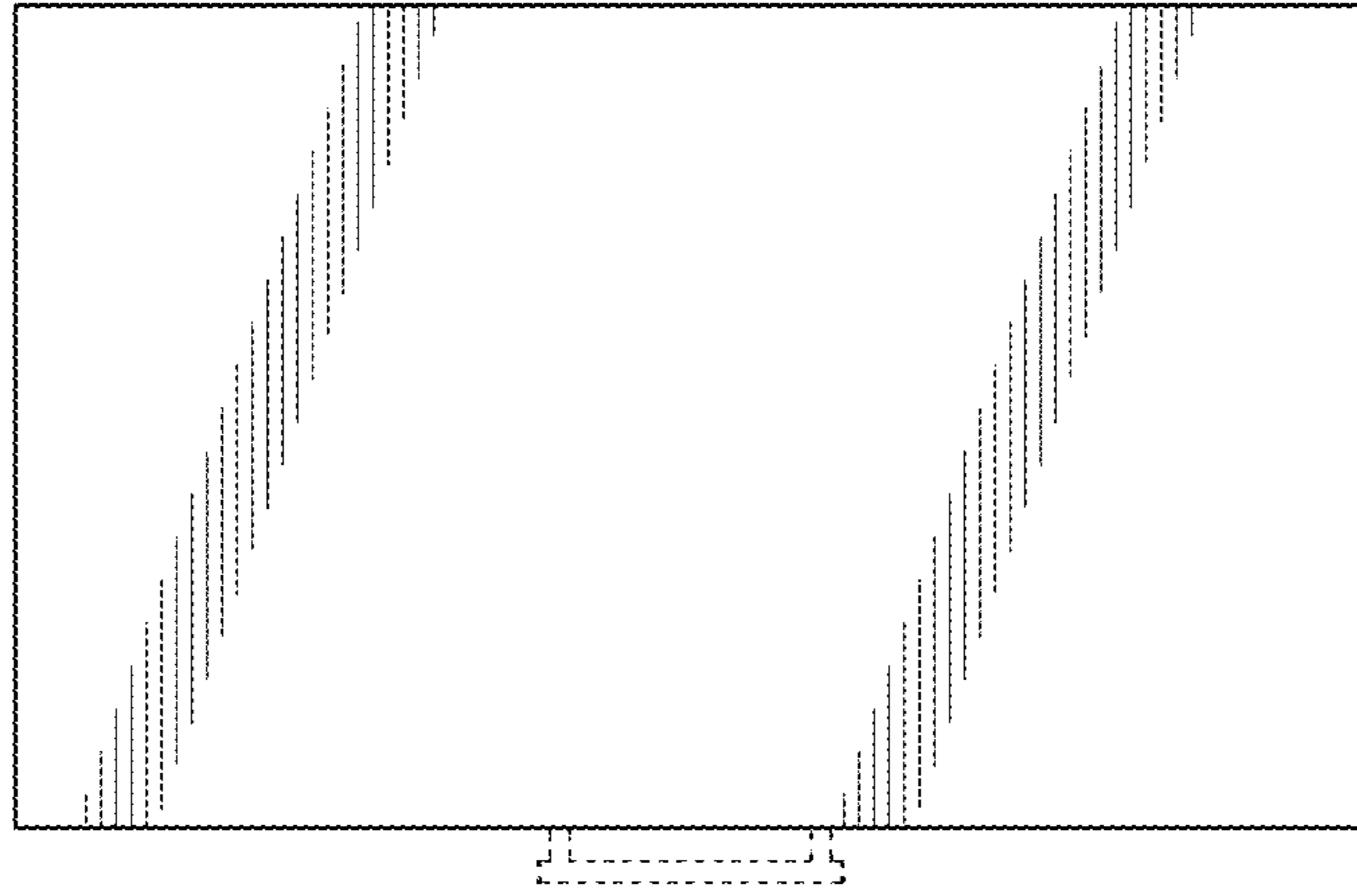


FIG. 21

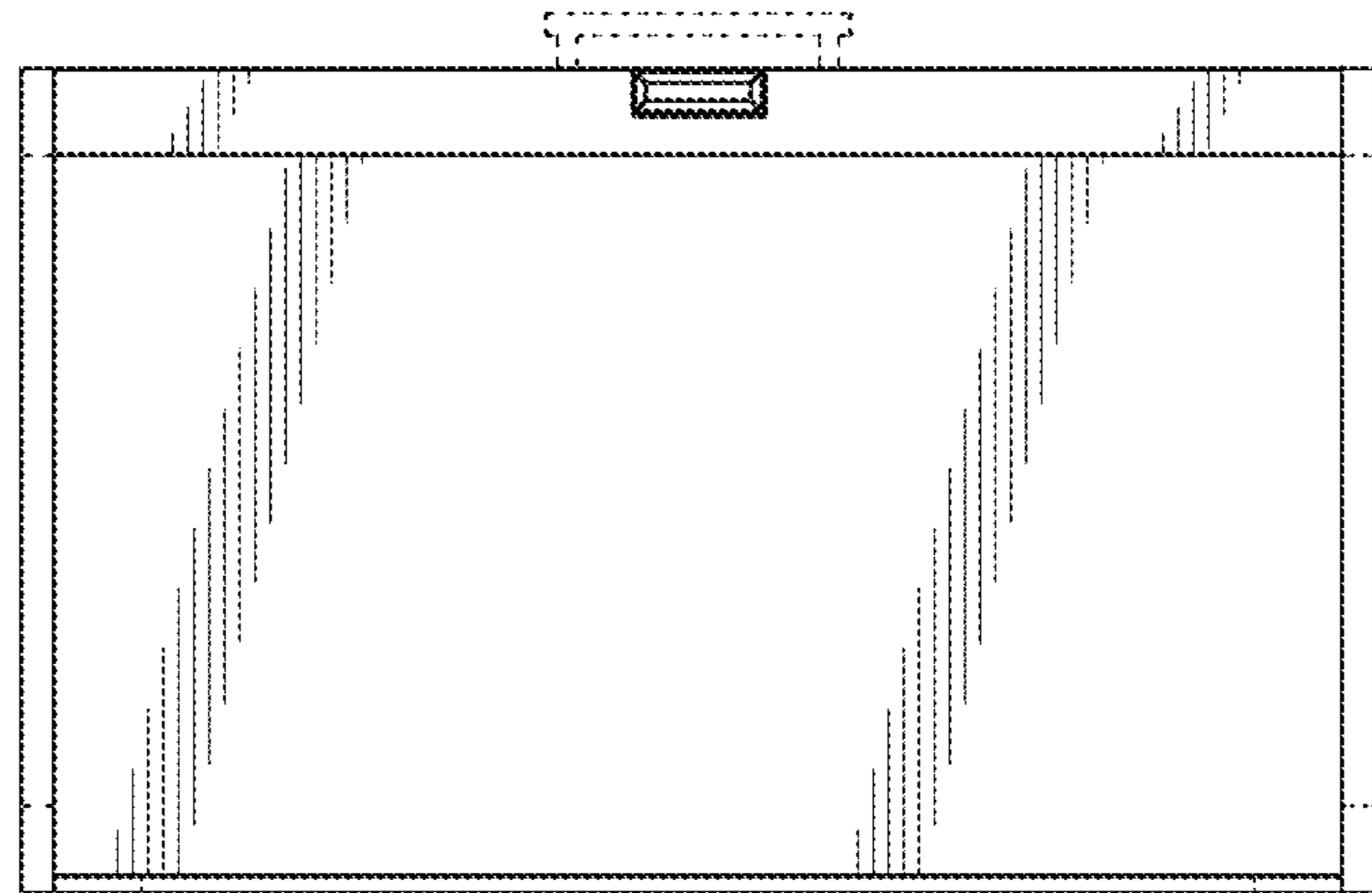


FIG. 22

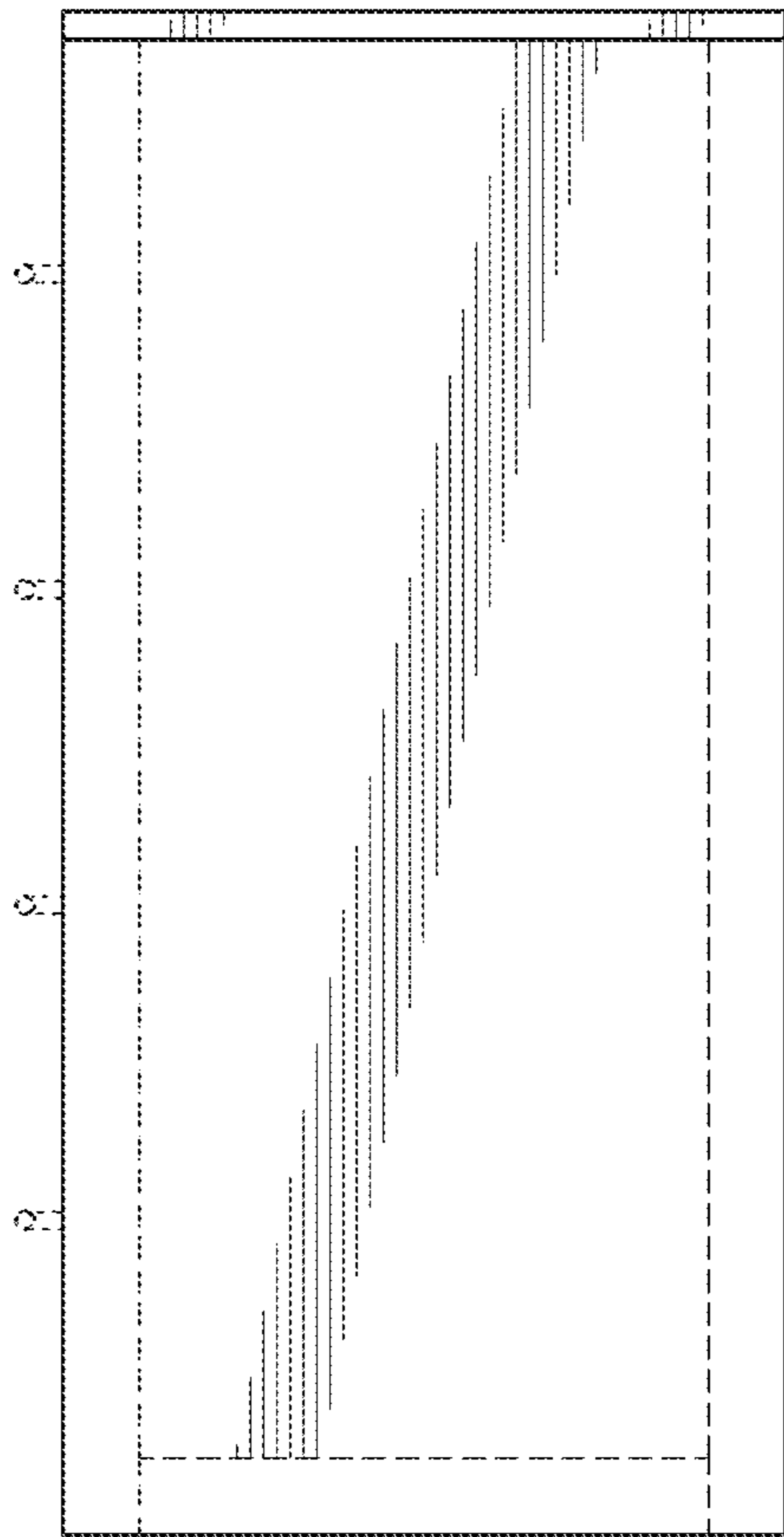


FIG. 23

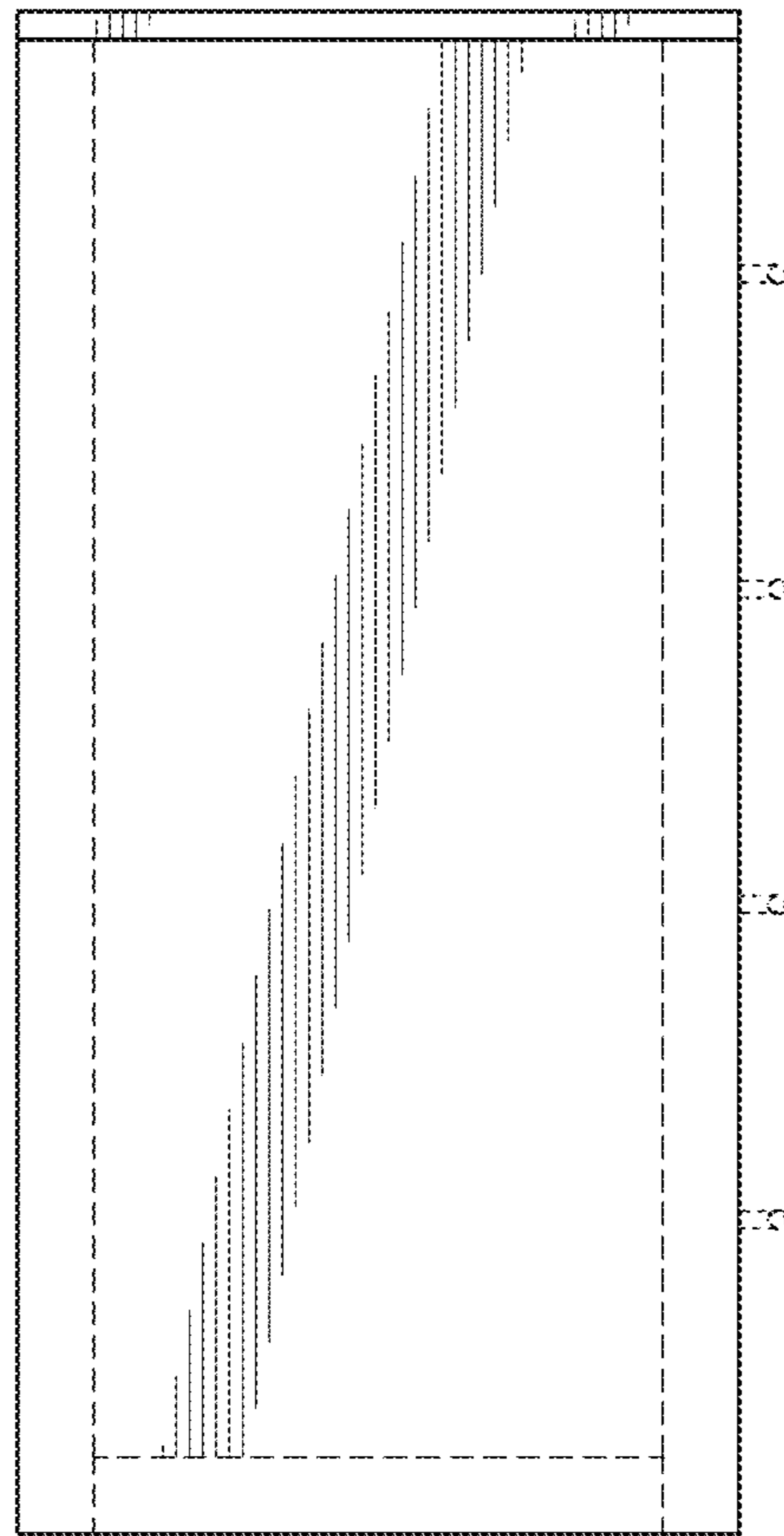


FIG. 24

FIG. 25

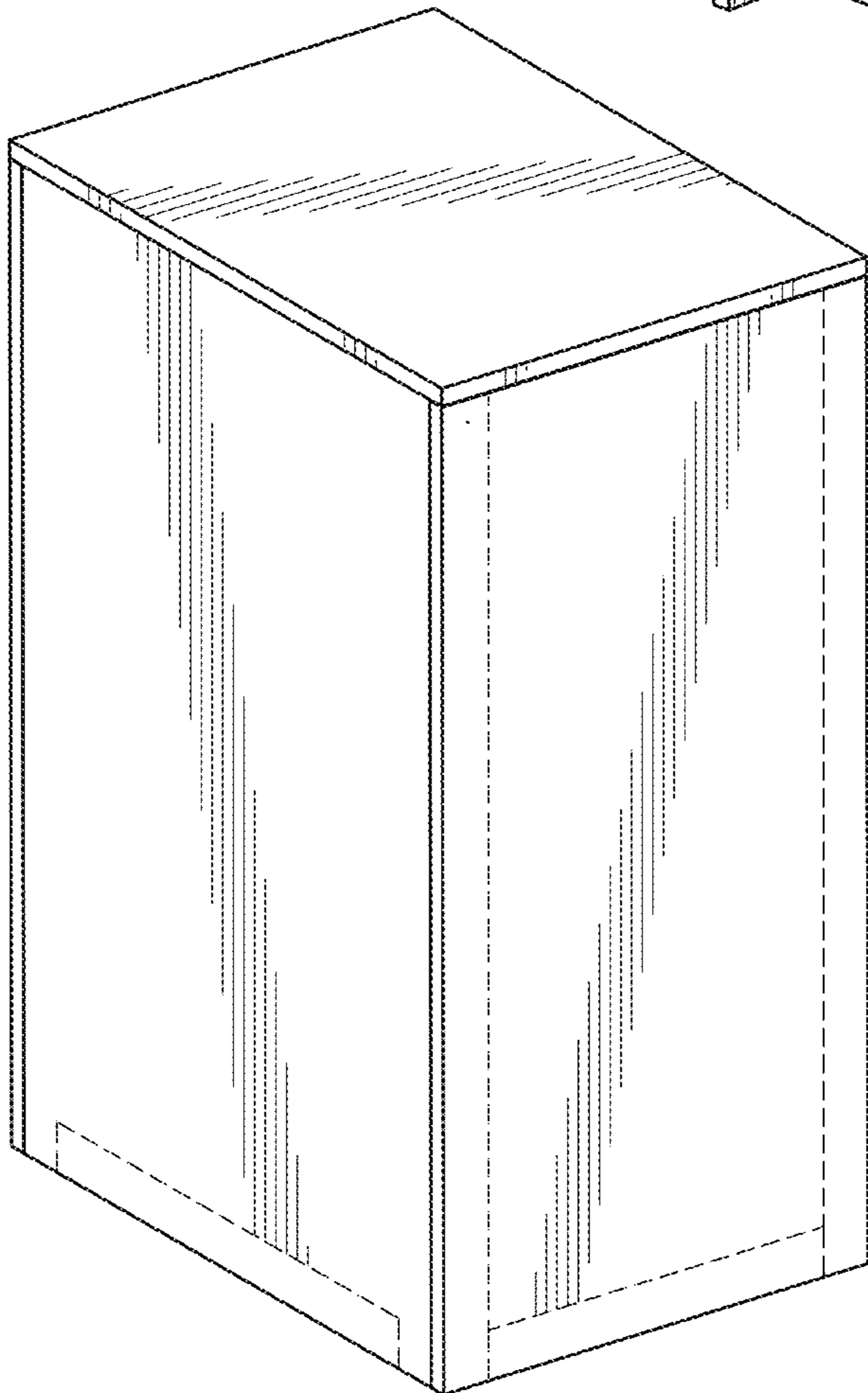
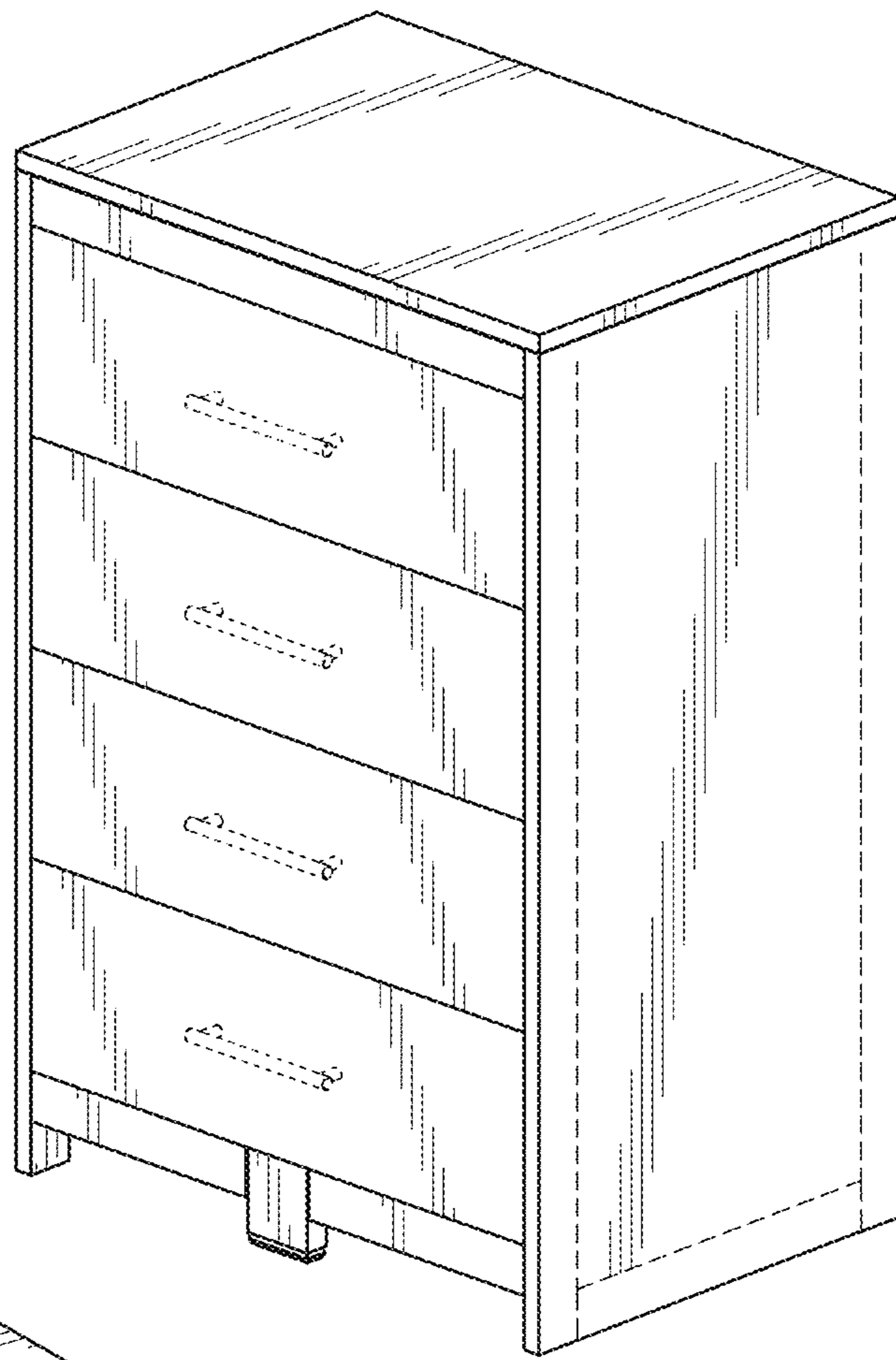


FIG. 26

FIG. 27

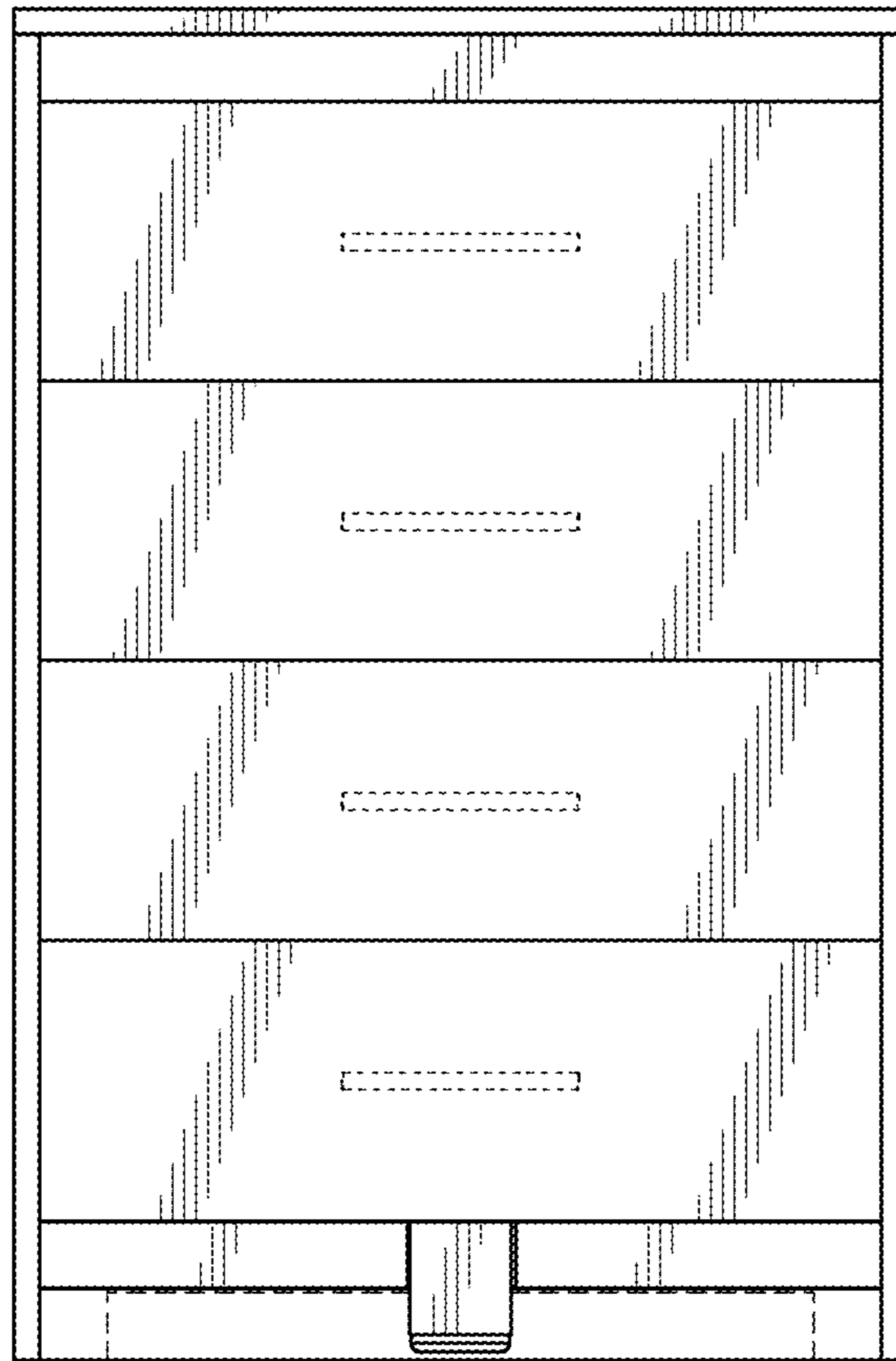
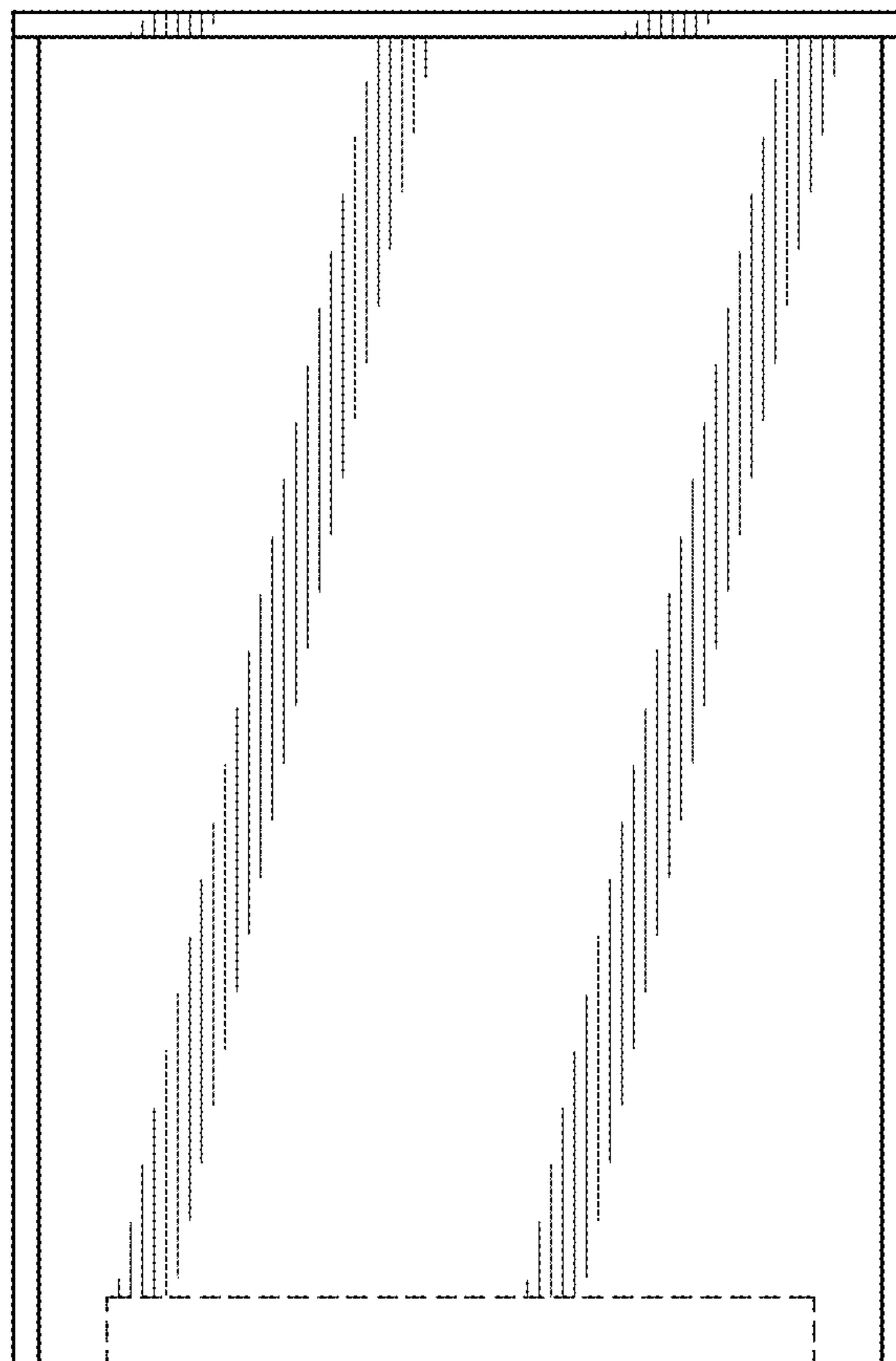


FIG. 28



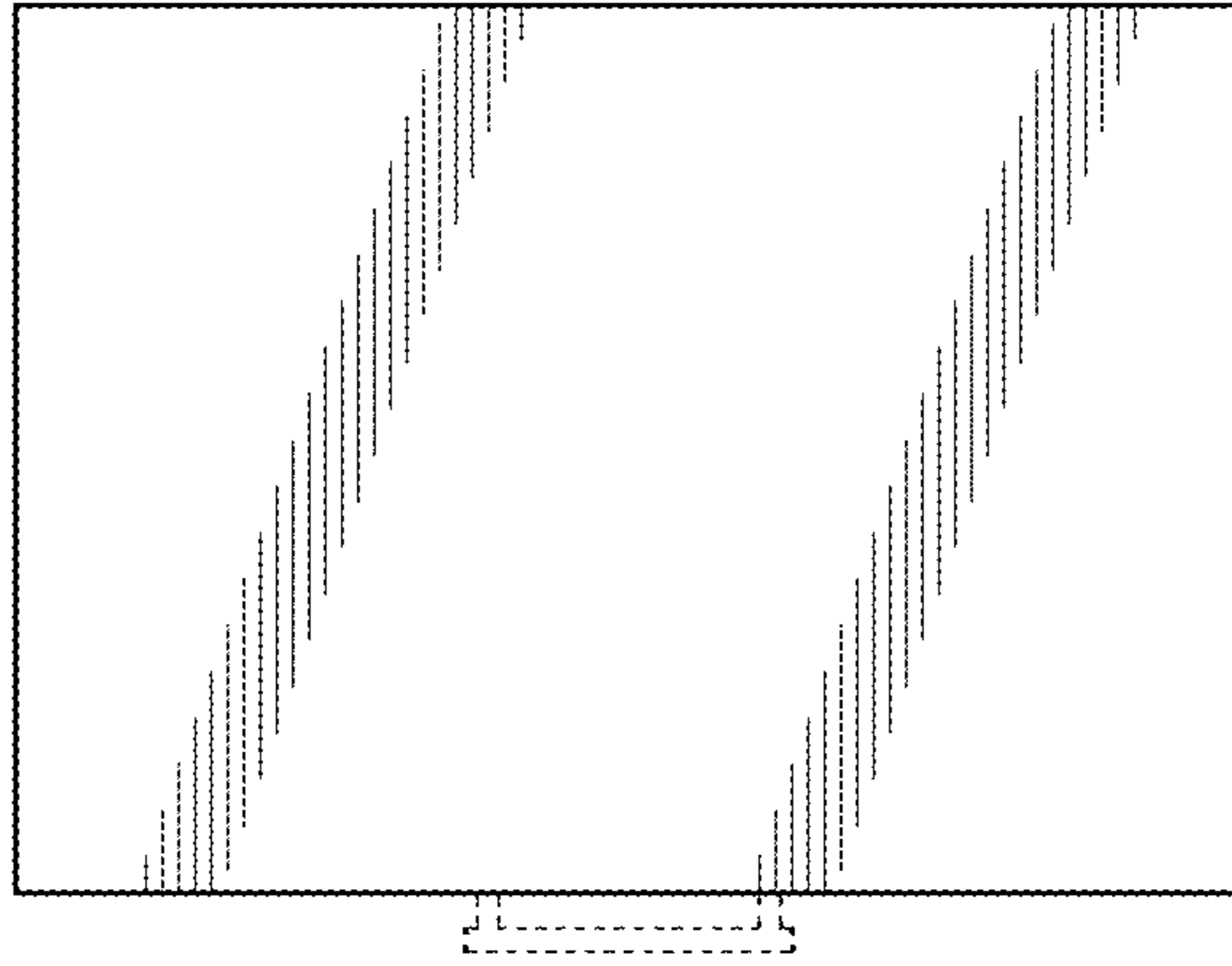


FIG. 29

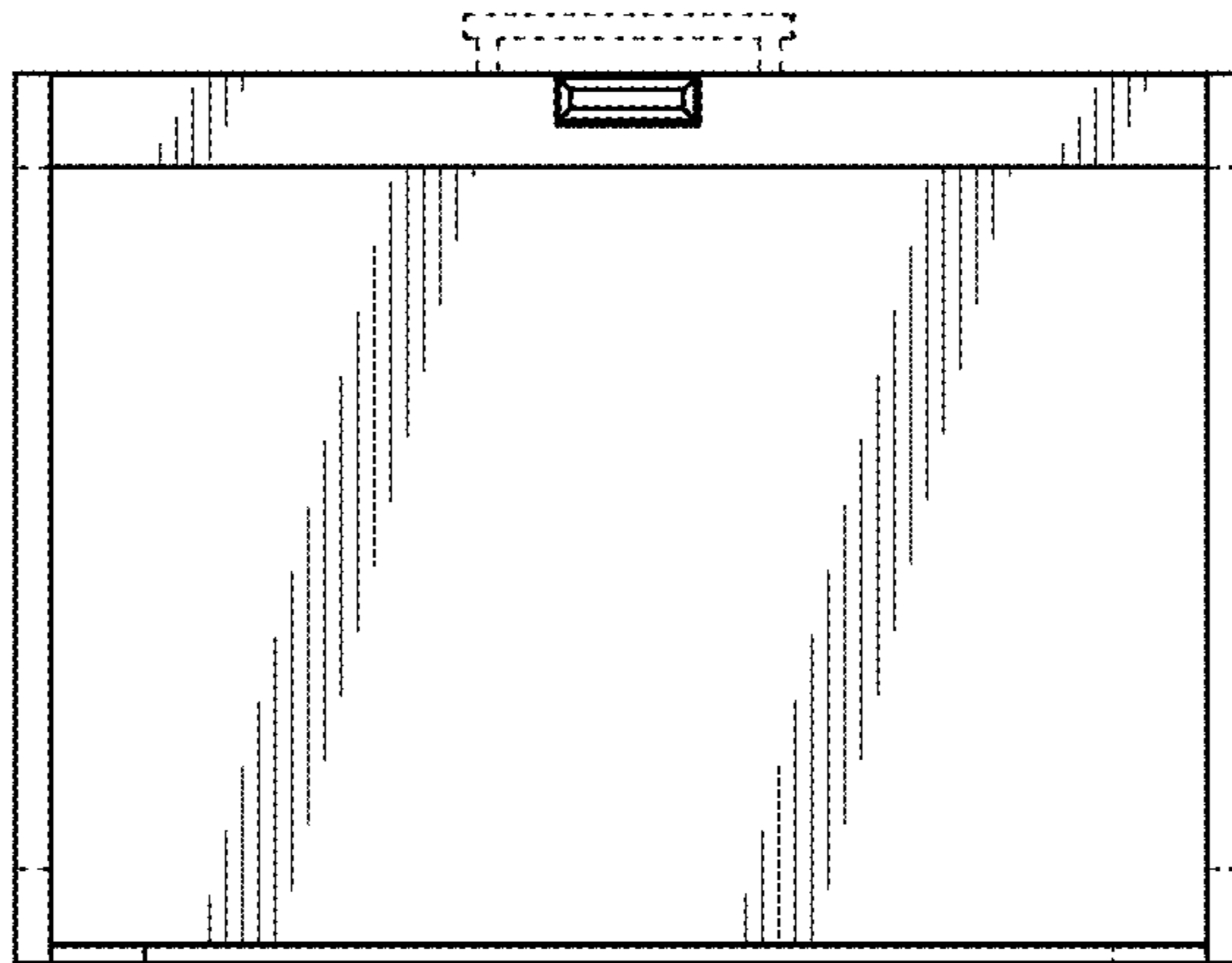


FIG. 30

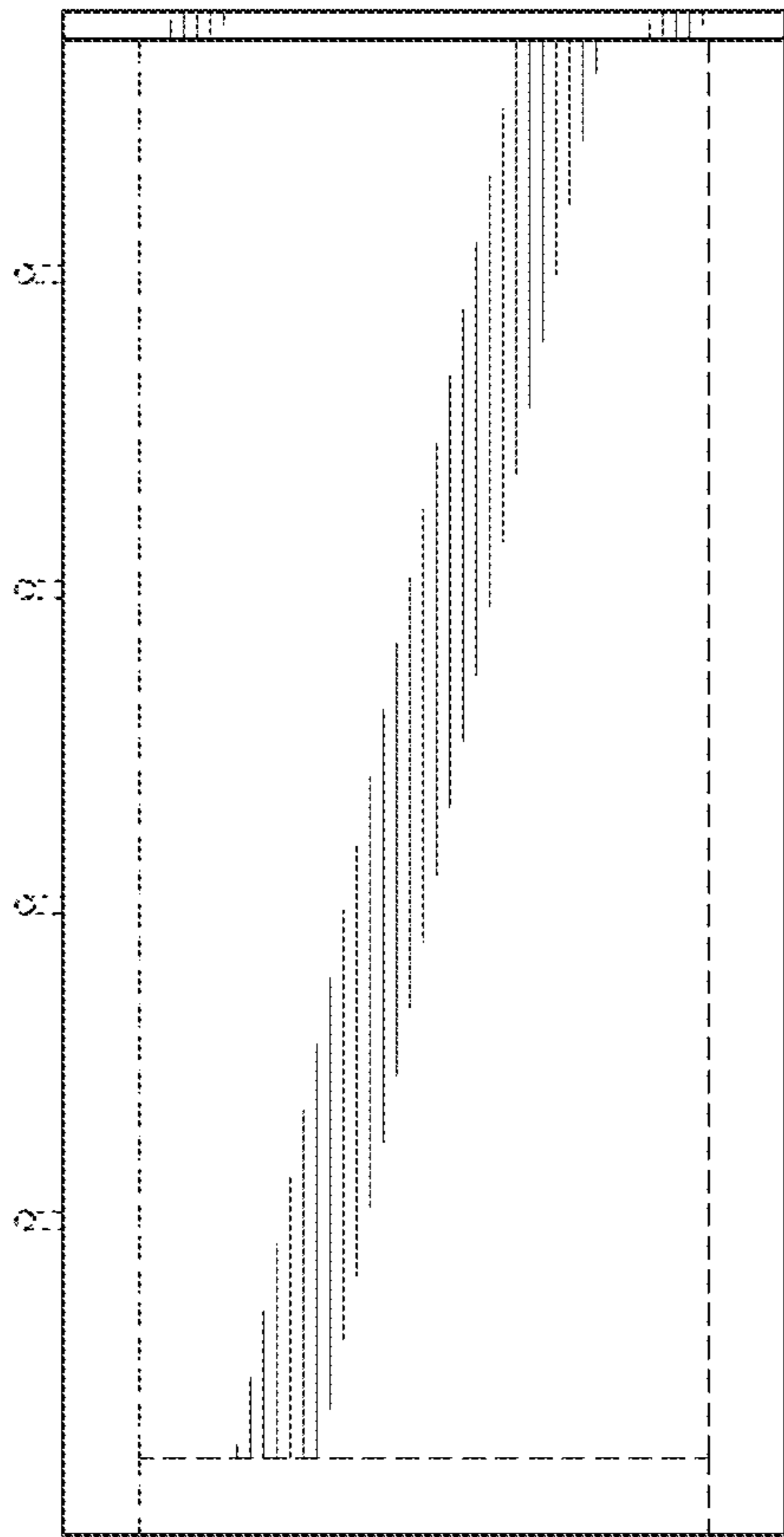


FIG. 31

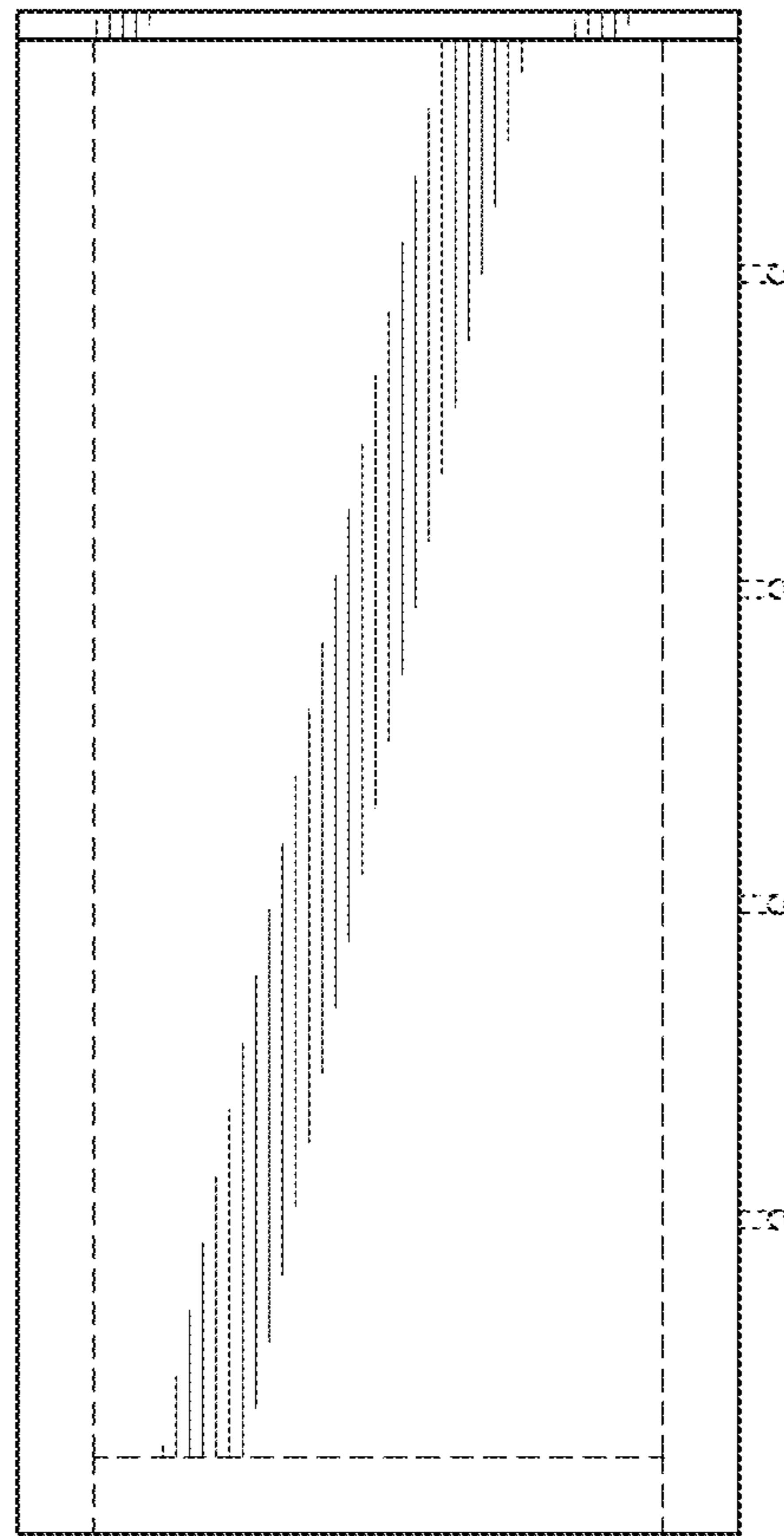


FIG. 32