



US00D927229S

(12) **United States Design Patent** (10) **Patent No.:** **US D927,229 S**
Stravitz et al. (45) **Date of Patent:** **** Aug. 10, 2021**

(54) **CURVED DRESSER**

(56) **References Cited**

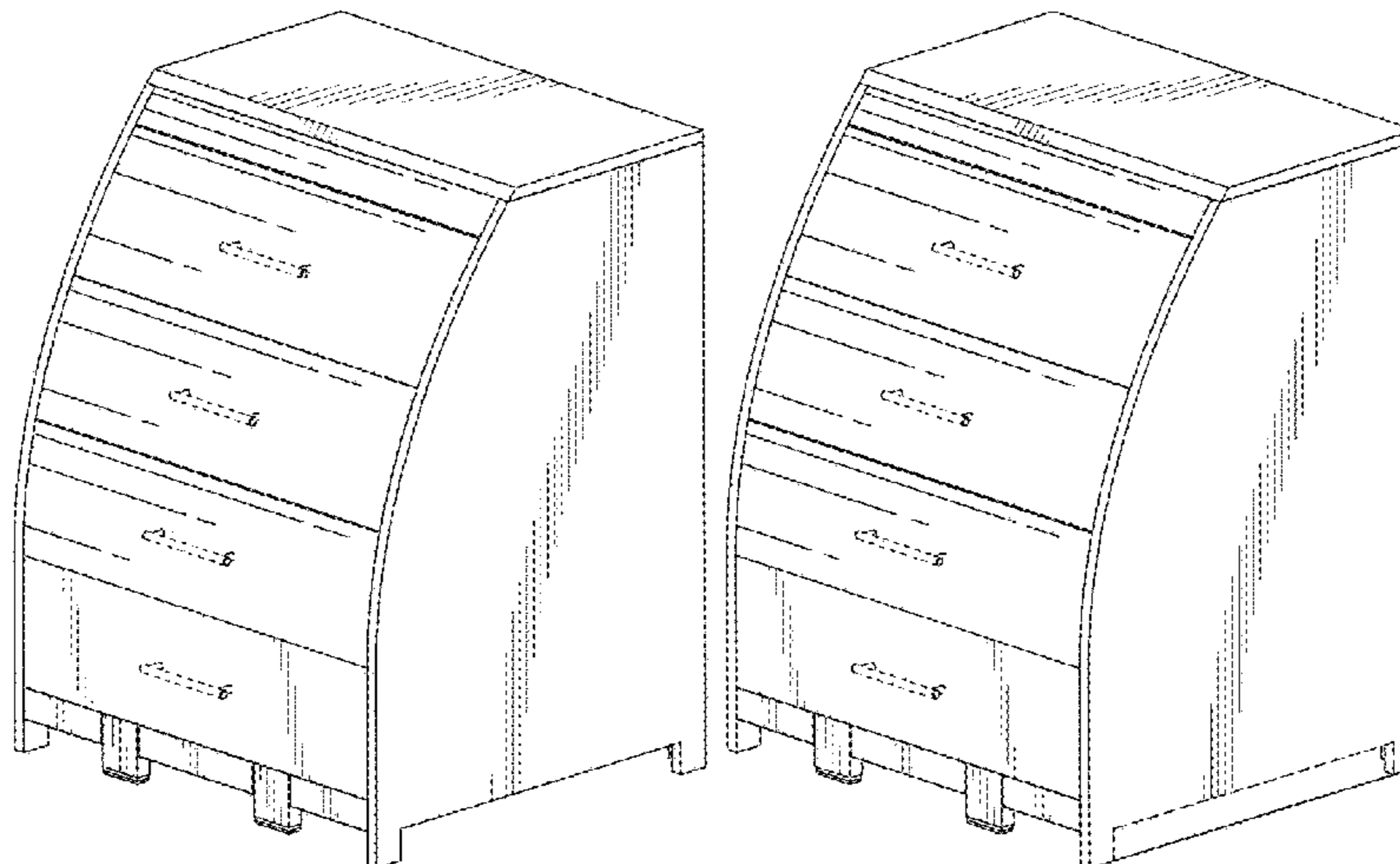
- (71) Applicant: **Dooli Products, LLC**, New York, NY (US)
- (72) Inventors: **David M. Stravitz**, New York, NY (US); **Steven G. Marton**, New York, NY (US)
- (73) Assignee: **Dooli Products, LLC**, New York, NY (US)
- (**) Term: **15 Years**
- (21) Appl. No.: **29/777,056**
- (22) Filed: **Apr. 2, 2021**

U.S. PATENT DOCUMENTS

D22,730 S	8/1893	Shoudy	
D46,792 S	12/1914	Purcell	
1,233,775 A	7/1917	Hagar	
1,376,203 A	4/1921	Payne	
1,730,391 A	10/1929	Stobba	
2,104,214 A	1/1938	Vezina	
D182,833 S	5/1958	Lubbert et al.	
D215,731 S	10/1969	Solie	
4,120,549 A	10/1978	Bureau	
D251,885 S *	5/1979	Tebbe	D6/671.1
4,214,323 A	7/1980	Thomas	
D272,398 S	1/1984	West	
D272,497 S	2/1984	Kemp, III et al.	
4,669,695 A	6/1987	Chou	
D305,485 S	1/1990	Zalesak	
4,890,813 A	1/1990	Johnson et al.	
5,013,103 A	5/1991	Addison	
5,076,525 A	12/1991	Whipple	
5,174,543 A	12/1992	Corson et al.	
D333,578 S *	3/1993	White	D6/671.1
5,192,123 A	3/1993	Wallin	
D339,938 S *	10/1993	Fisher	D6/671.1
D347,337 S	5/1994	Keller	
5,352,031 A	10/1994	Nahrgang	
5,431,365 A	7/1995	Hopkins	
5,599,000 A	2/1997	Bennett	
D384,525 S	10/1997	McBrayer et al.	
5,794,903 A	8/1998	Peterson, II	
D424,833 S *	5/2000	Zaidman	D6/671.1
6,068,355 A	5/2000	Thorp	
6,220,562 B1	4/2001	Konkle	
D467,096 S	12/2002	DiCostanzo	
6,508,525 B2	1/2003	Picogna	
6,533,238 B2	3/2003	Barnes et al.	
D473,401 S *	4/2003	de Blois	D6/671.1
D503,564 S *	4/2005	Juneau	D6/671.1
D508,347 S *	8/2005	Juneau	D6/671.1
D512,903 S	12/2005	Gallien	
D514,846 S *	2/2006	McDiarmid	D6/671.1
D518,975 S *	4/2006	Mohundro	D6/668.2
7,185,872 B2	3/2007	Lowenstein, Jr.	
D542,057 S *	5/2007	Juneau	D6/671.1
7,287,820 B2	10/2007	Van Loon et al.	
D555,394 S *	11/2007	Sexton	D6/671.1
D586,147 S *	2/2009	Tsay	D6/668.1
D599,136 S *	9/2009	Jeup	D6/671.1
D605,742 S	12/2009	Bock et al.	
D606,180 S	12/2009	Bock et al.	
D606,634 S	12/2009	Bock et al.	

Related U.S. Application Data

- (63) Continuation-in-part of application No. 17/194,401, filed on Mar. 8, 2021, which is a continuation-in-part of application No. 17/094,979, filed on Nov. 11, 2020, now Pat. No. 10,939,761, which is a continuation-in-part of application No. 16/992,397, filed on Aug. 13, 2020, now Pat. No. 10,905,241, which is a continuation of application No. 16/986,932, filed on Aug. 6, 2020, now Pat. No. 10,813,456, which is a continuation-in-part of application No. 16/799,909, filed on Feb. 25, 2020, now Pat. No. 10,758,046, and a continuation-in-part of application No. 16/799,941, filed on Feb. 25, 2020, now Pat. No. 10,786,080.
- (51) **LOC (13) Cl.** **06-04**
- (52) **U.S. Cl.**
USPC **D6/668.2**
- (58) **Field of Classification Search**
USPC D6/663, 664, 664.1, 671, 671.1, 671.2, D6/671.3, 671.4, 668, 668.1, 668.2; D14/307
CPC A47B 17/04; A47B 47/04; A47B 47/03; A47B 67/00; A47B 67/04; A47B 88/00; A47B 88/40; A47B 88/42; A47B 45/00
See application file for complete search history.



D606,635	S	12/2009	Bock et al.	
D611,267	S *	3/2010	Collette	D6/671.1
D617,117	S	6/2010	Tovin	
7,775,498	B2	8/2010	Phillips et al.	
D625,305	S *	10/2010	Bieck	D14/307
9,163,842	B2	10/2015	Adams et al.	
9,578,965	B2	2/2017	Hamaba et al.	
D790,888	S	7/2017	Everson et al.	
9,955,785	B2	5/2018	Kato	
10,113,687	B2	10/2018	Wise	
10,321,762	B2	6/2019	Muskopf	
D862,135	S *	10/2019	Birch	D6/671
D867,791	S	11/2019	Birch	
10,524,572	B2	1/2020	Lercher	
10,758,046	B1	9/2020	Stravitz et al.	
10,786,080	B1	9/2020	Stravitz et al.	
10,812,456	B2	10/2020	Pollet et al.	
10,813,456	B1	10/2020	Stravitz et al.	
10,856,659	B1	12/2020	Stravitz et al.	
10,905,241	B1	2/2021	Stravitz et al.	
10,939,761	B1	3/2021	Stravitz et al.	
2003/0010886	A1	1/2003	Barnes et al.	
2003/0221593	A1	12/2003	Usagani	
2006/0207989	A1	9/2006	Ritchie et al.	
2006/0265806	A1	11/2006	Stevenson	
2007/0039640	A1	2/2007	Zheng	
2011/0043088	A1	2/2011	McConnell et al.	
2013/0087675	A1	4/2013	Miller	
2014/0263925	A1	9/2014	Essrig	
2015/0130339	A1	5/2015	Barnett	
2015/0130342	A1	5/2015	Barnett	
2017/0021958	A1	1/2017	Shelton	
2018/0168344	A1	6/2018	Arrillaga Albeniz	
2018/0209580	A1	7/2018	Wise	
2019/0150617	A1	5/2019	Lager et al.	
2019/0365098	A1	12/2019	Johannesson	

FOREIGN PATENT DOCUMENTS

FR	2620303	A1	3/1989
FR	2979210	A1	3/2013
JP	3014942	U	8/1995
KR	200484018	Y1	7/2017
KR	10194900	B1	2/2018
RU	2315537	C2	1/2008
WO	0024293	A1	5/2000

OTHER PUBLICATIONS

No, Dressers Don't Need To Be Anchored To A Wall, by John Brownlee, Jul. 13, 2016, downloaded Jan. 26, 2020.
 DE20116637 Zerver; Abstract and figure (2001).
 CN209474157 Chang et al.; Abstract and figure (2019).
 English translation FR 2620303, 1989.
 International Search Report for PCT/US2020/063547 dated Mar. 25, 2021.
 Written Opinion for PCT/US2020/063547 dated Mar. 25, 2021.
 Gerridan Chest of Drawers from ashleyfurniture.com, retrieved date Jun. 10, 2021, p. 1 from www.ashleyfurniture.com/p/genridan_chest_of_drawers/B1190-44.html (Year: 2021).

* cited by examiner

Primary Examiner — Mimoso De
 (74) Attorney, Agent, or Firm — Brian Roffe

(57) CLAIM

The ornamental design for a curved dresser, as shown and described.

DESCRIPTION

FIG. 1 is a front perspective view of a first embodiment of a curved dresser showing our new design; FIG. 2 is a rear perspective view thereof; FIG. 3 is a front elevational view thereof; FIG. 4 is a rear elevational view thereof; FIG. 5 is a top plan view thereof; FIG. 6 is a bottom plan view thereof; FIG. 7 is a right elevational view thereof; FIG. 8 is a left elevational view thereof; FIG. 9 is a front perspective view of a second embodiment of a curved dresser showing our new design; FIG. 10 is a rear perspective view thereof; FIG. 11 is a front elevational view thereof; FIG. 12 is a rear elevational view thereof; FIG. 13 is a top plan view thereof; FIG. 14 is a bottom plan view thereof; FIG. 15 is a right elevational view thereof; FIG. 16 is a left elevational view thereof; FIG. 17 is a front perspective view of a third embodiment of a curved dresser showing our new design; FIG. 18 is a rear perspective view thereof; FIG. 19 is a front elevational view thereof; FIG. 20 is a rear elevational view thereof; FIG. 21 is a top plan view thereof; FIG. 22 is a bottom plan view thereof; FIG. 23 is a right elevational view thereof; FIG. 24 is a left elevational view thereof; FIG. 25 is a front perspective view of a fourth embodiment of a curved dresser showing our new design; FIG. 26 is a rear perspective view thereof; FIG. 27 is a front elevational view thereof; FIG. 28 is a rear elevational view thereof; FIG. 29 is a top plan view thereof; FIG. 30 is a bottom plan view thereof; FIG. 31 is a right elevational view thereof; FIG. 32 is a left elevational view thereof; FIG. 33 is a front perspective view of a fifth embodiment of a curved dresser showing our new design; FIG. 34 is a rear perspective view thereof; FIG. 35 is a front elevational view thereof; FIG. 36 is a rear elevational view thereof; FIG. 37 is a top plan view thereof; FIG. 38 is a bottom plan view thereof; FIG. 39 is a right elevational view thereof; FIG. 40 is a left elevational view thereof; FIG. 41 is a front perspective view of a sixth embodiment of a curved dresser showing our new design; FIG. 42 is a rear perspective view thereof; FIG. 43 is a front elevational view thereof; FIG. 44 is a rear elevational view thereof; FIG. 45 is a top plan view thereof; FIG. 46 is a bottom plan view thereof; FIG. 47 is a right elevational view thereof; and, FIG. 48 is a left elevational view thereof.
 The broken lines show portions of the curved dresser, which form no part of the claimed design.

FIG. 1

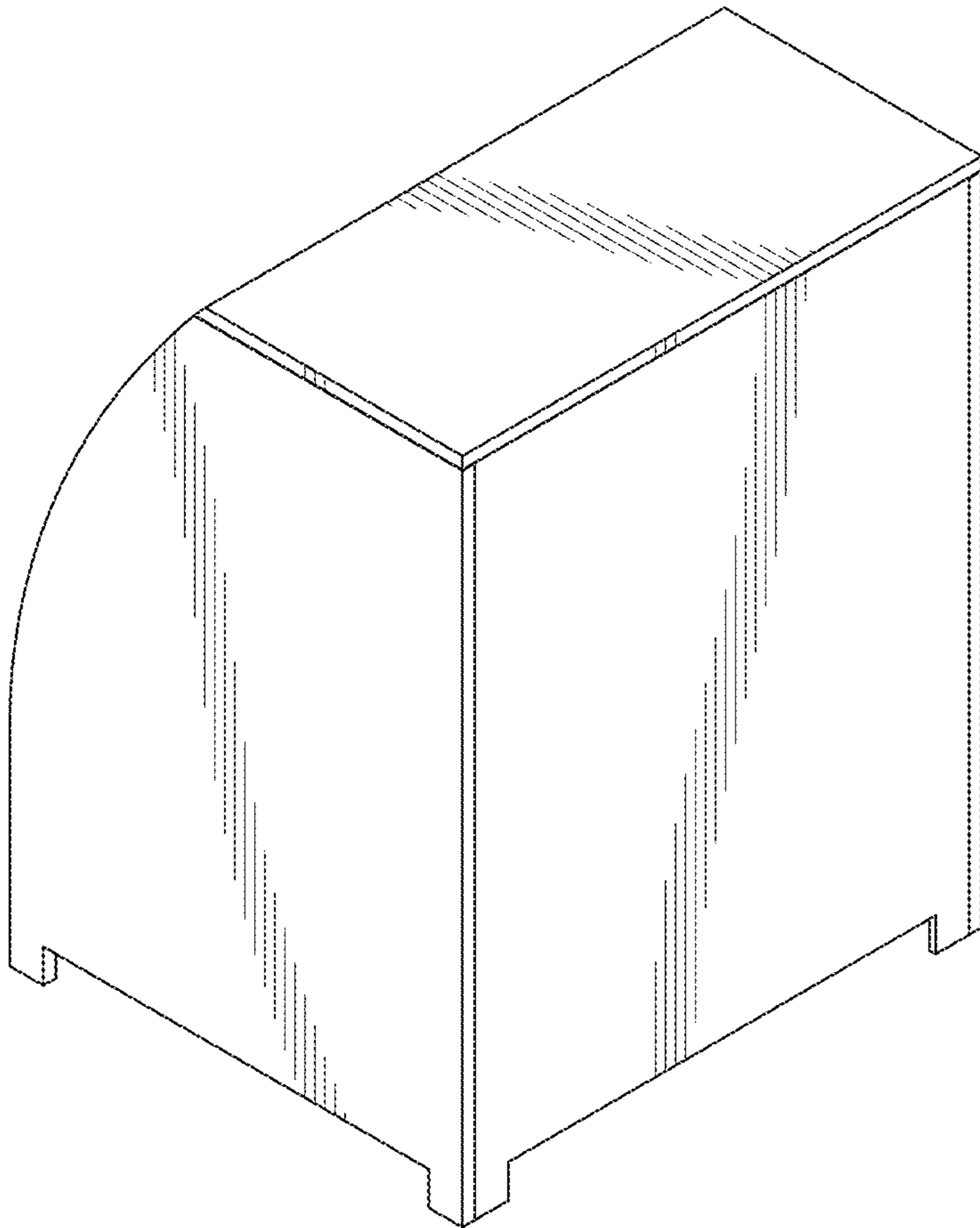
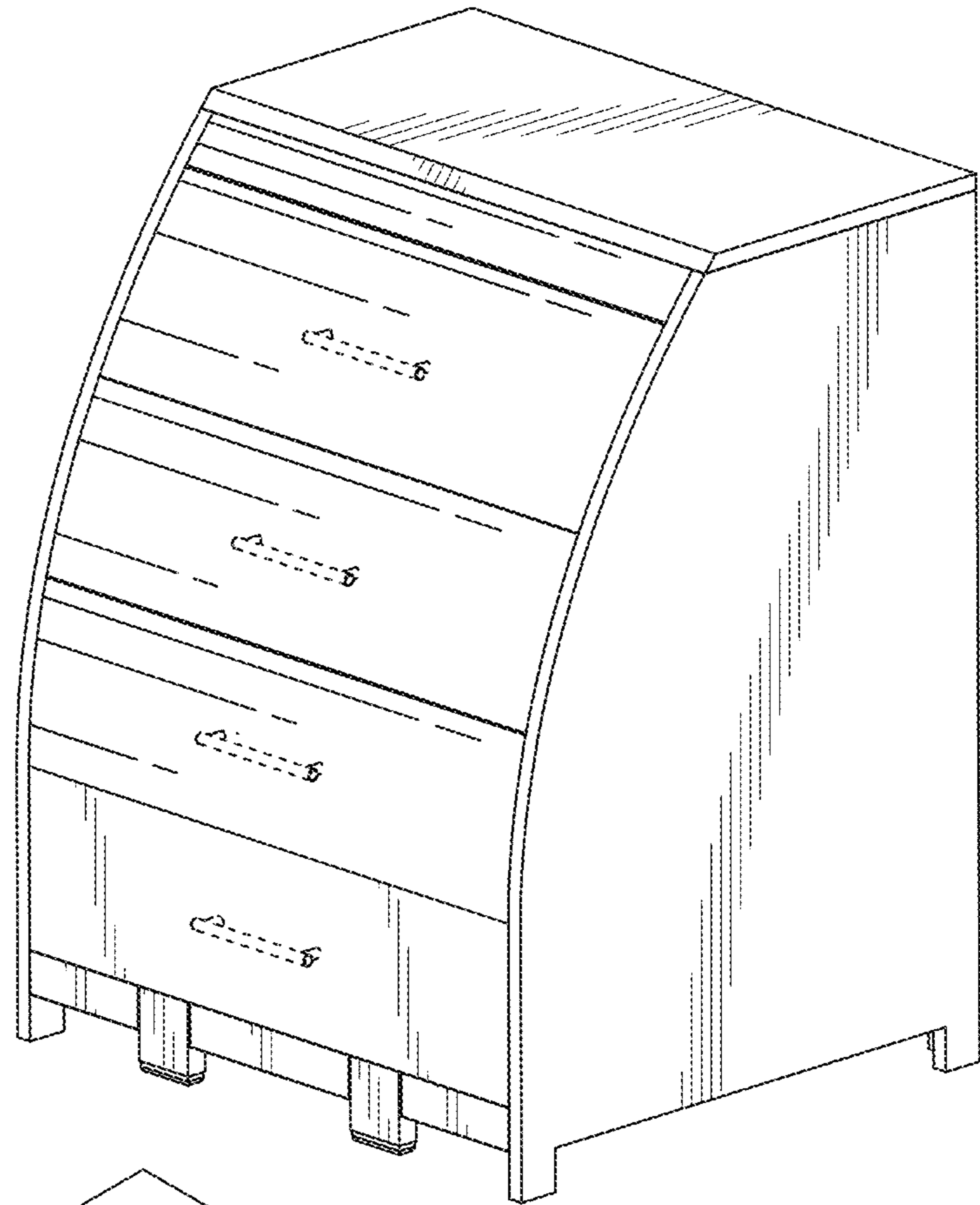


FIG. 2

FIG. 3

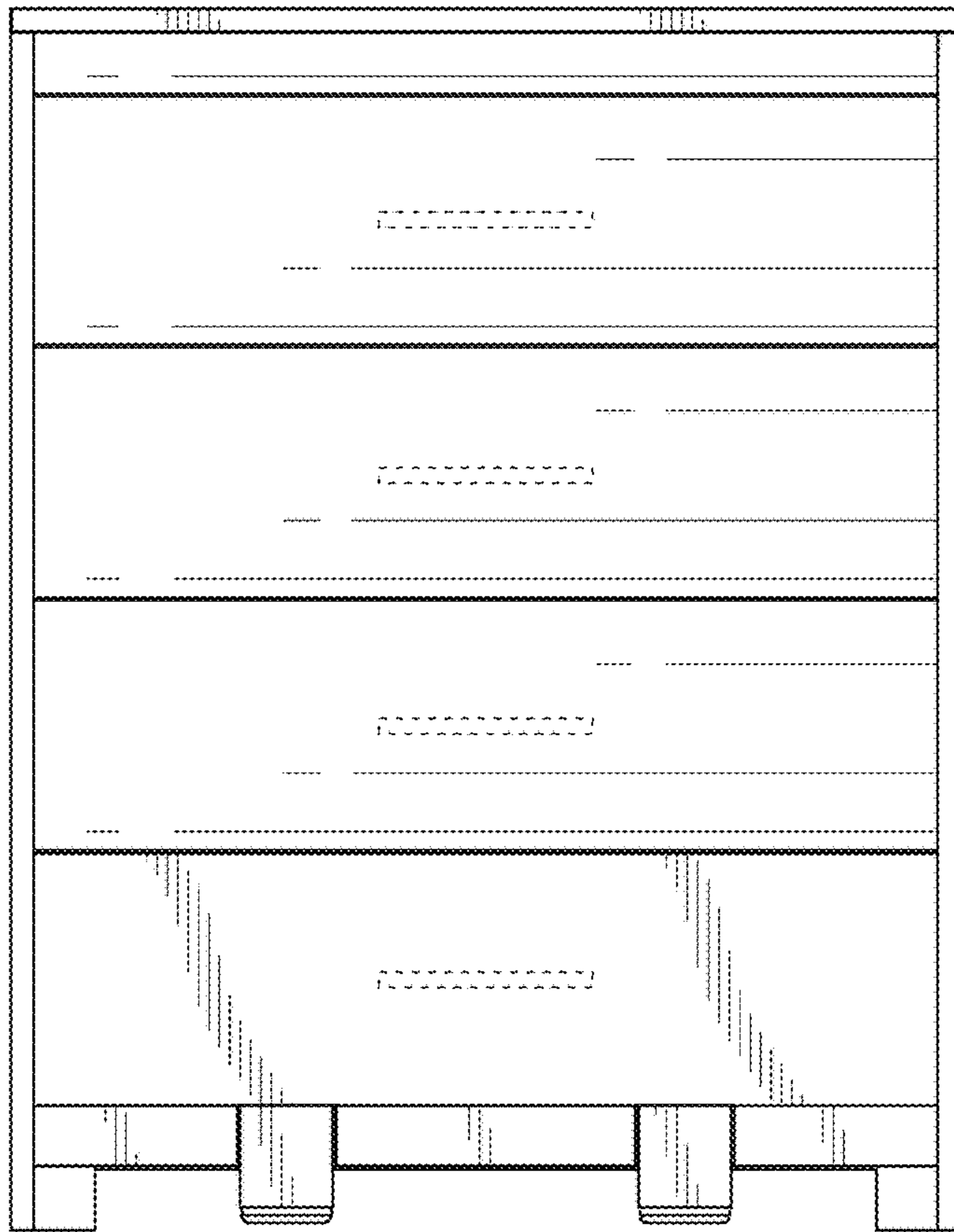
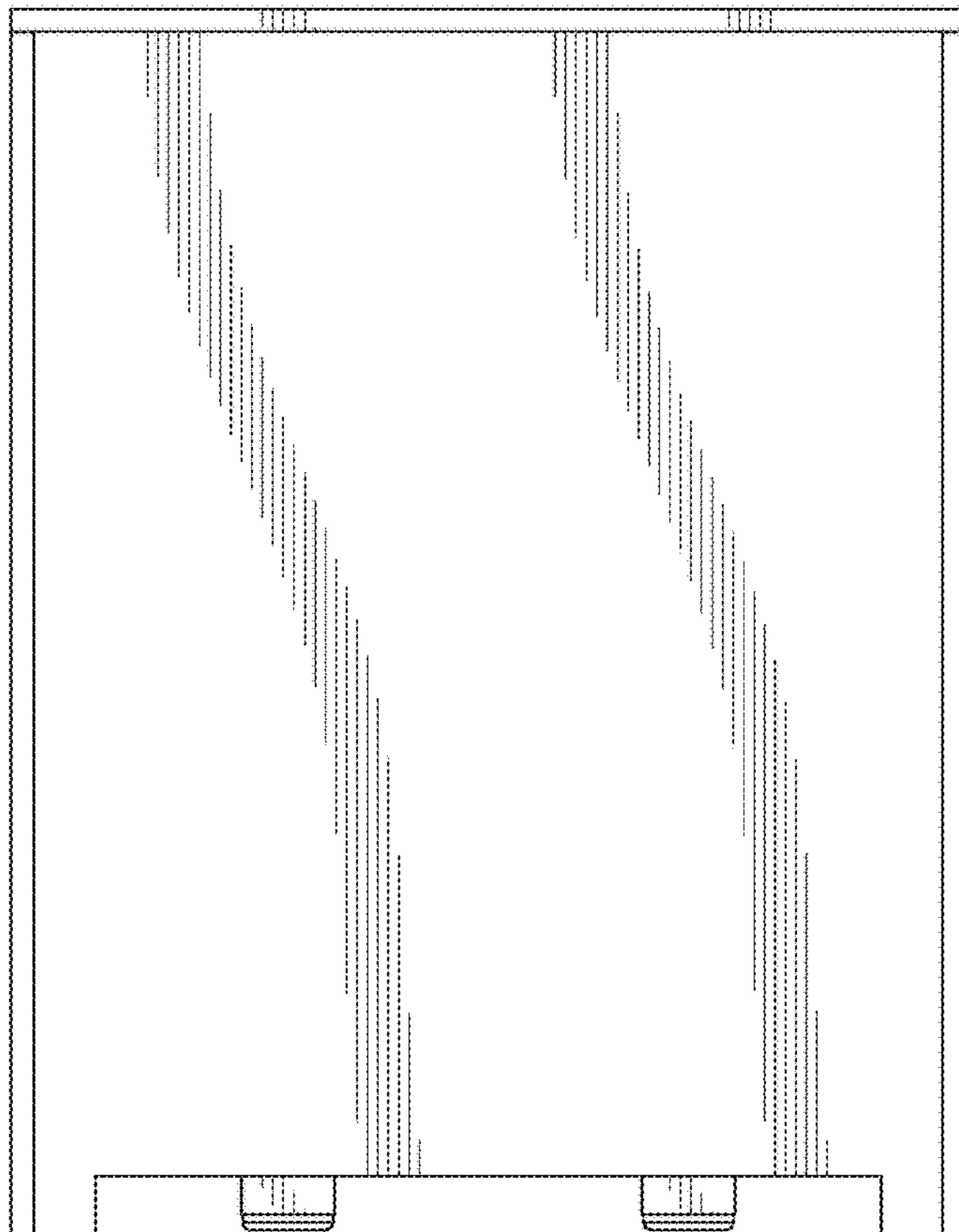


FIG. 4



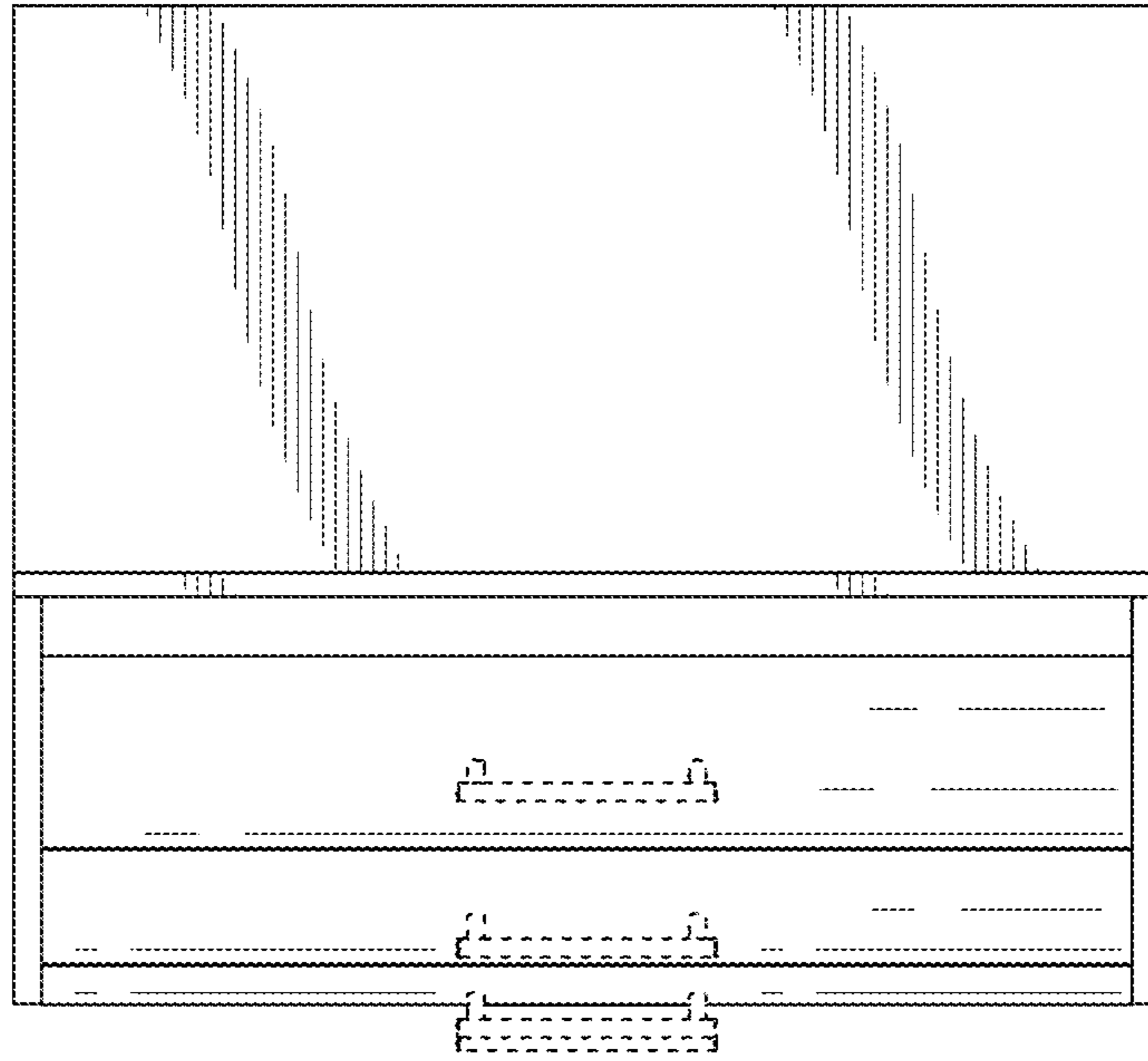


FIG. 5

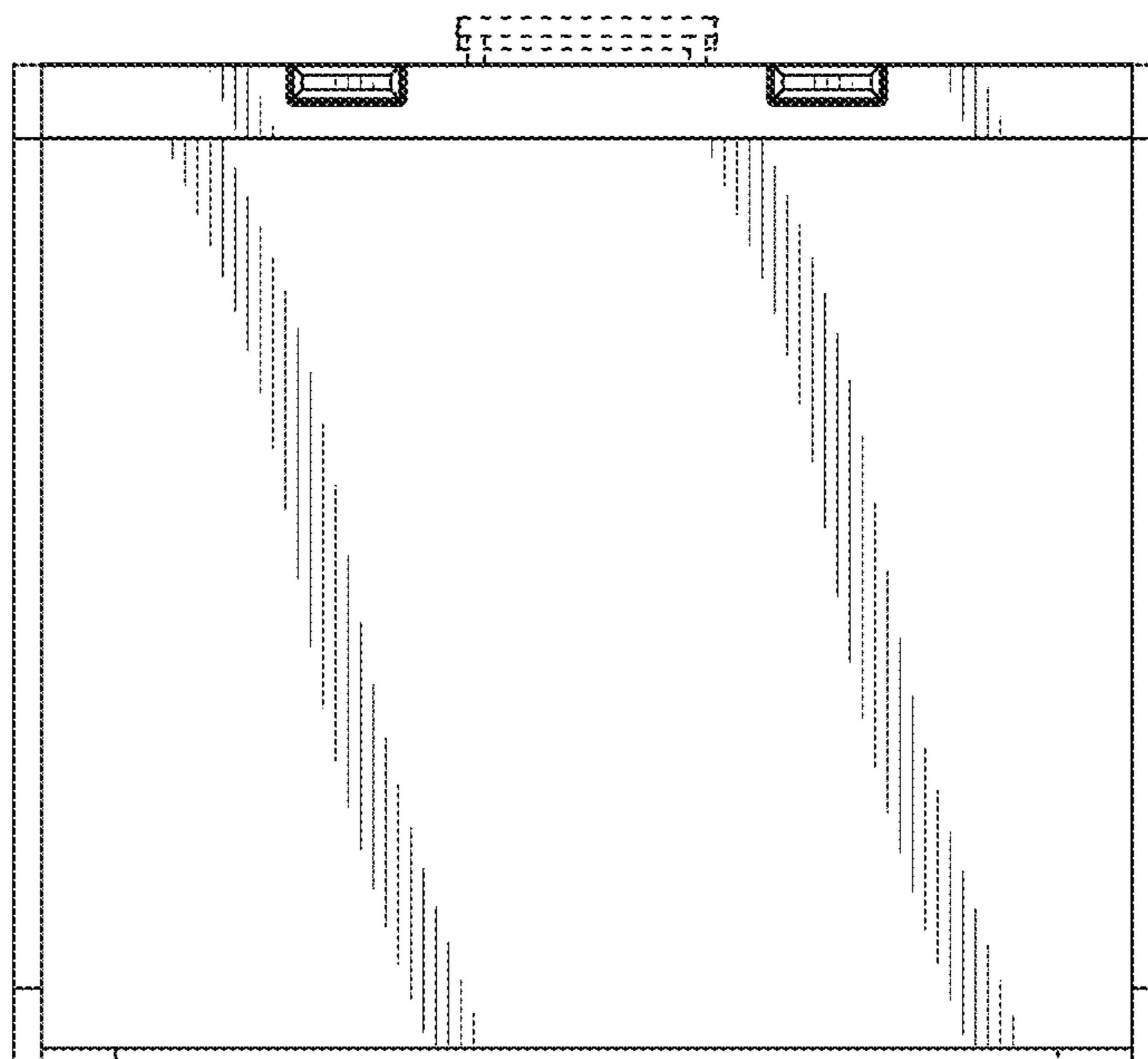


FIG. 6

FIG. 7

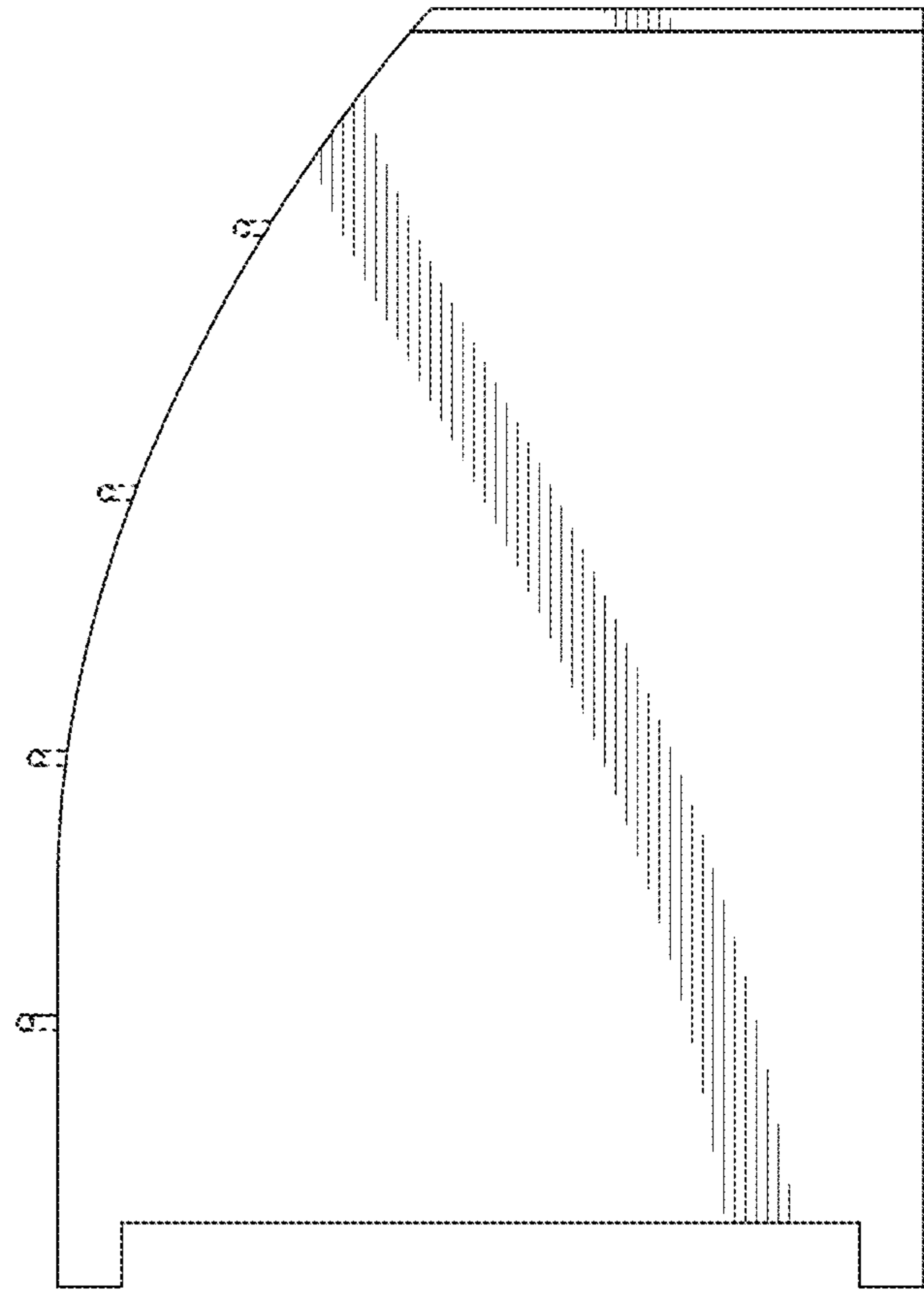


FIG. 8

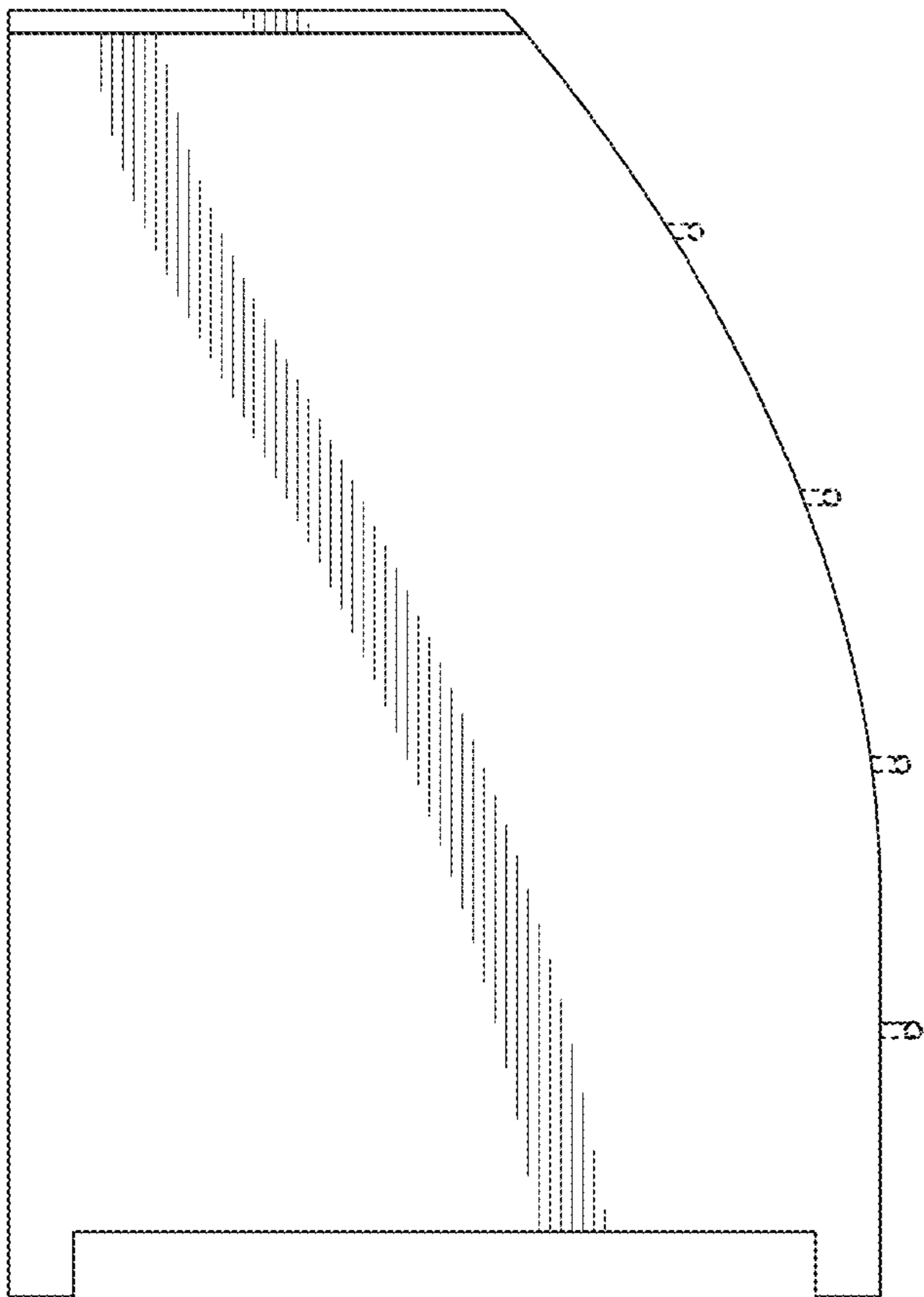


FIG. 9

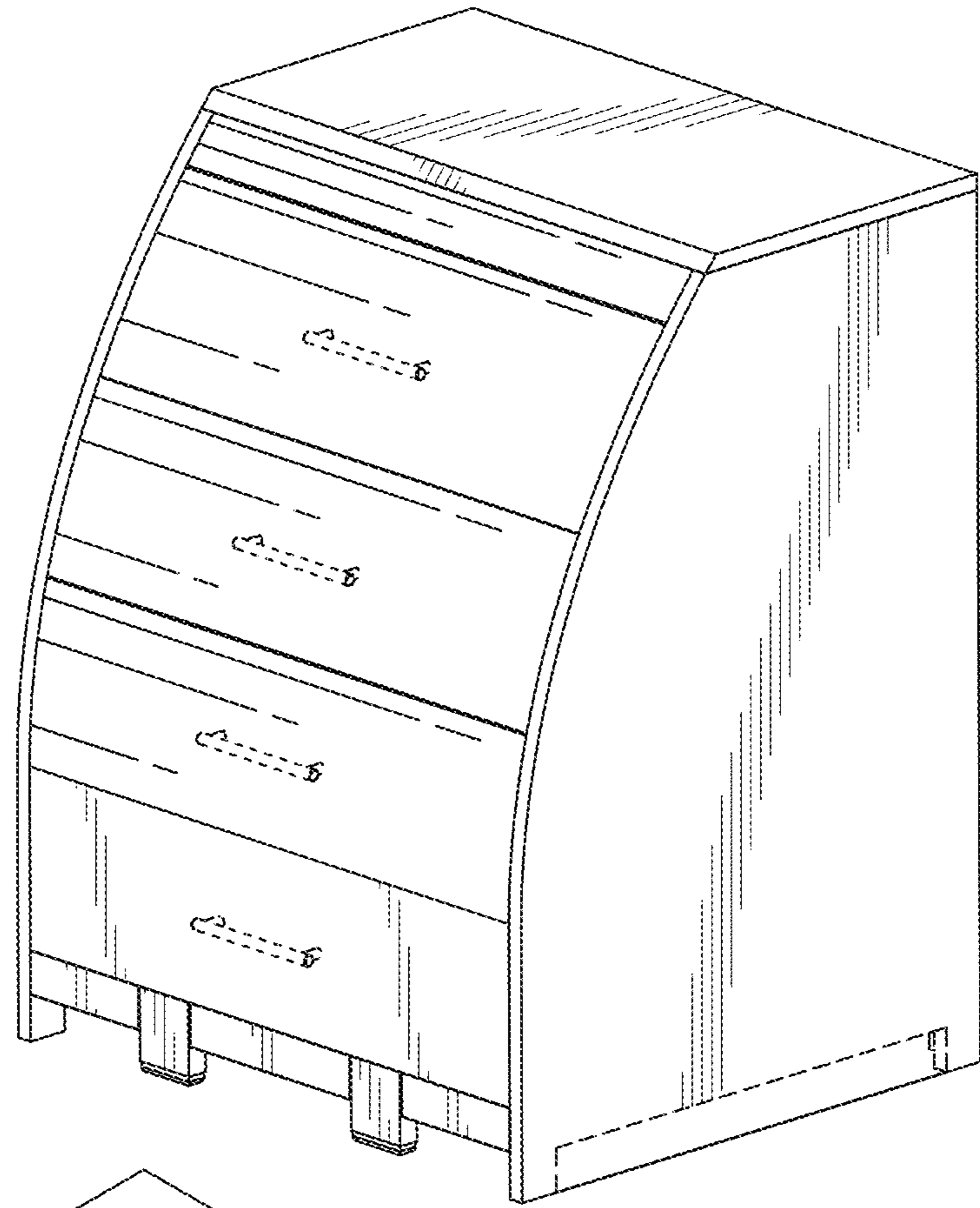


FIG. 10

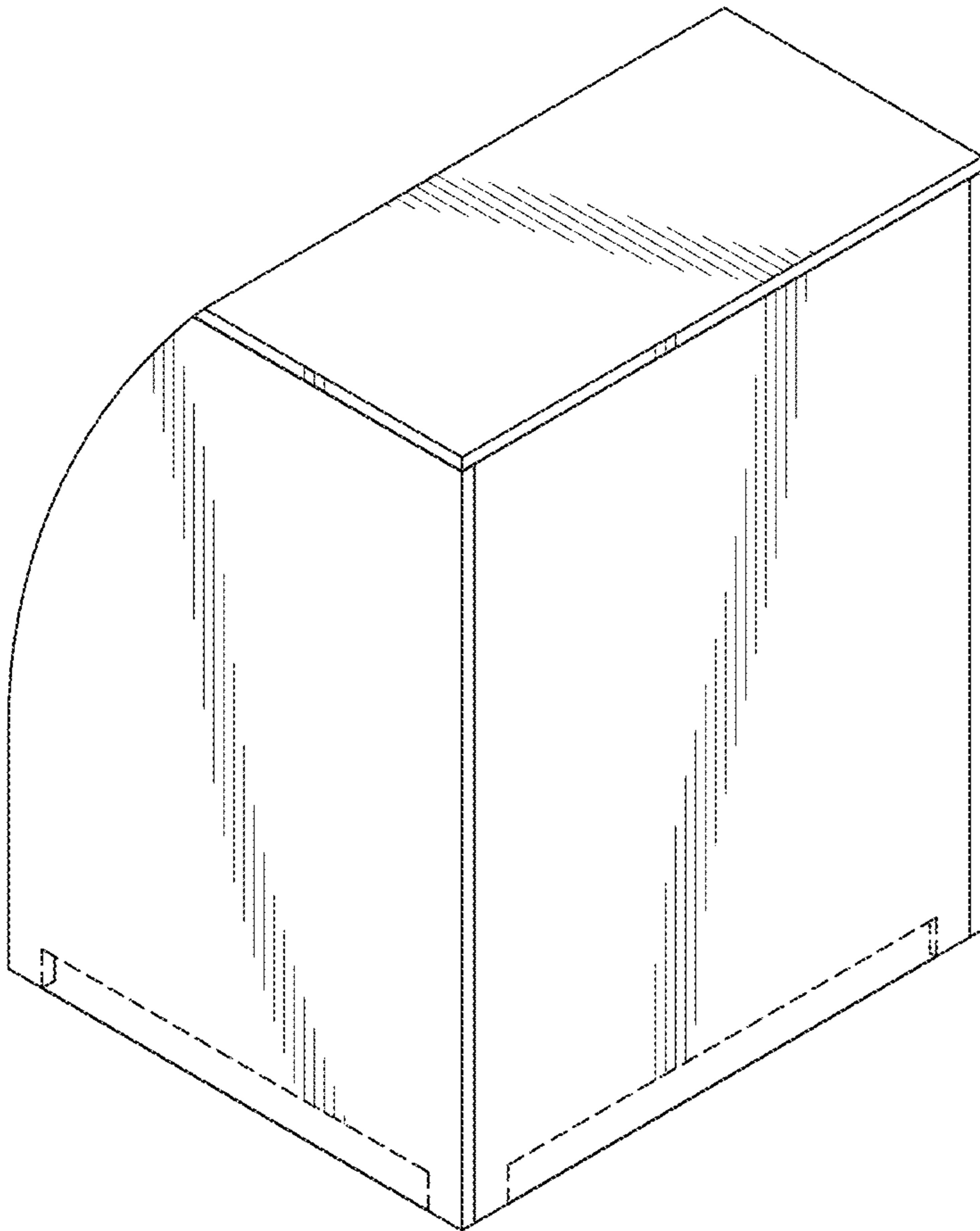


FIG. 11

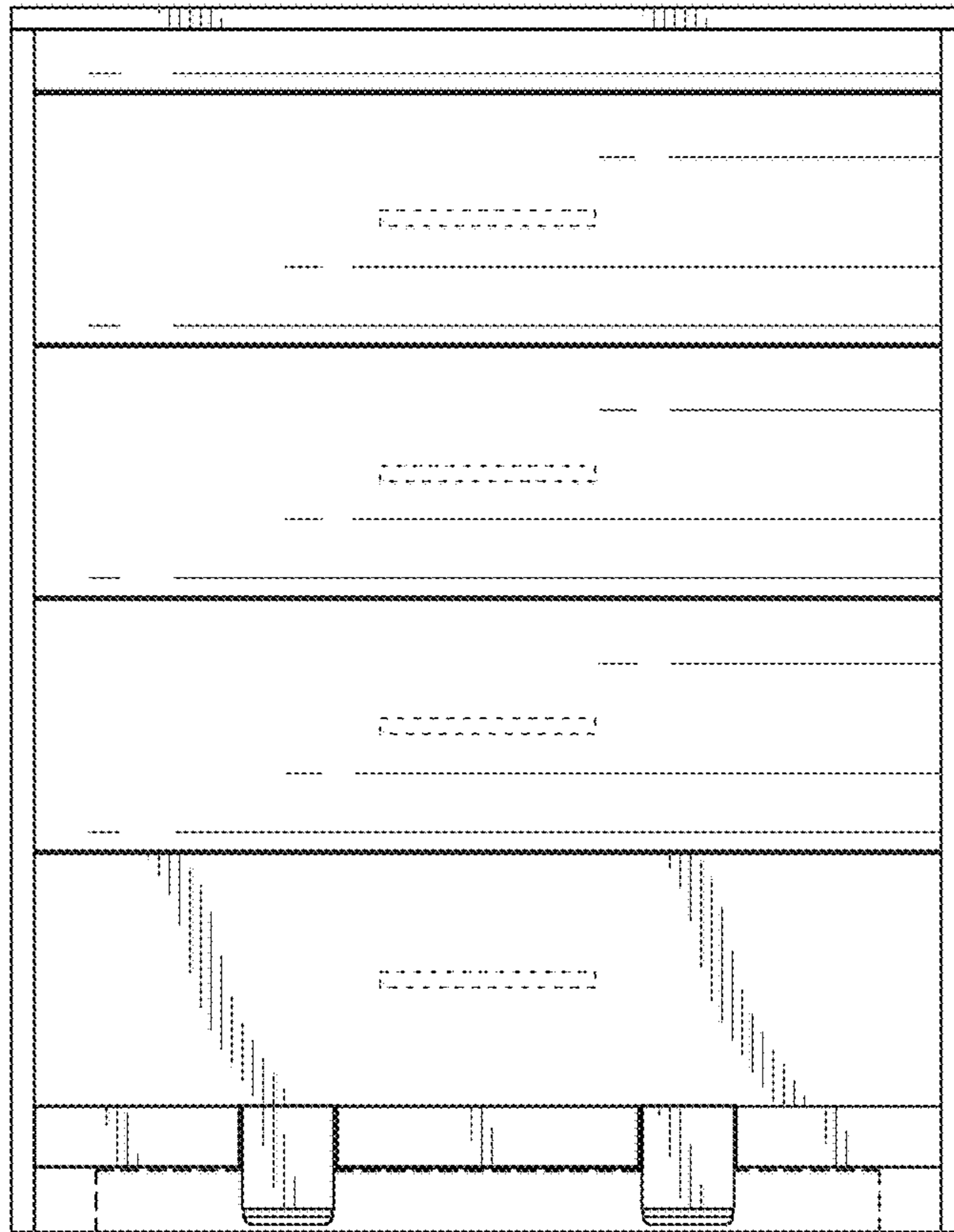
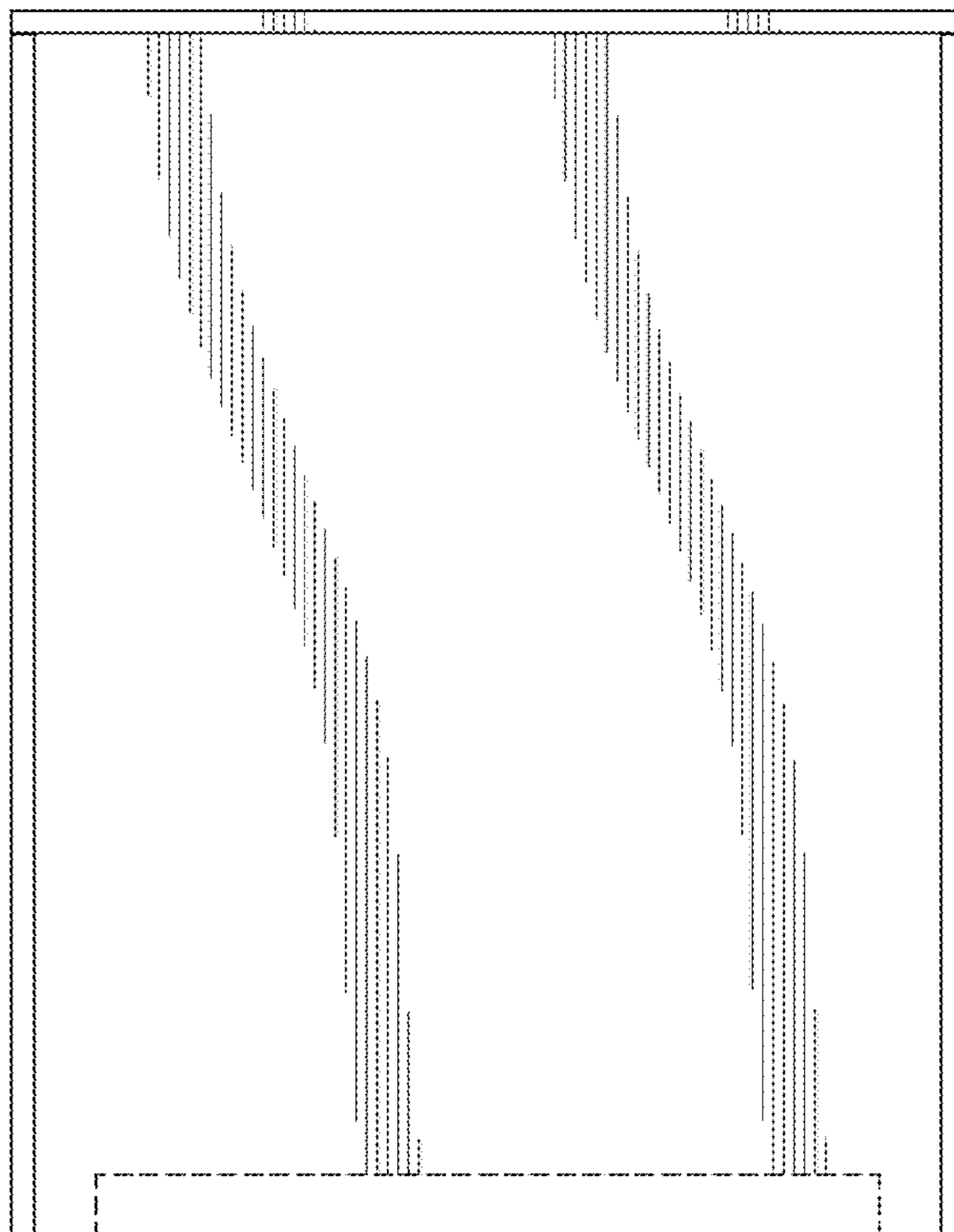


FIG. 12



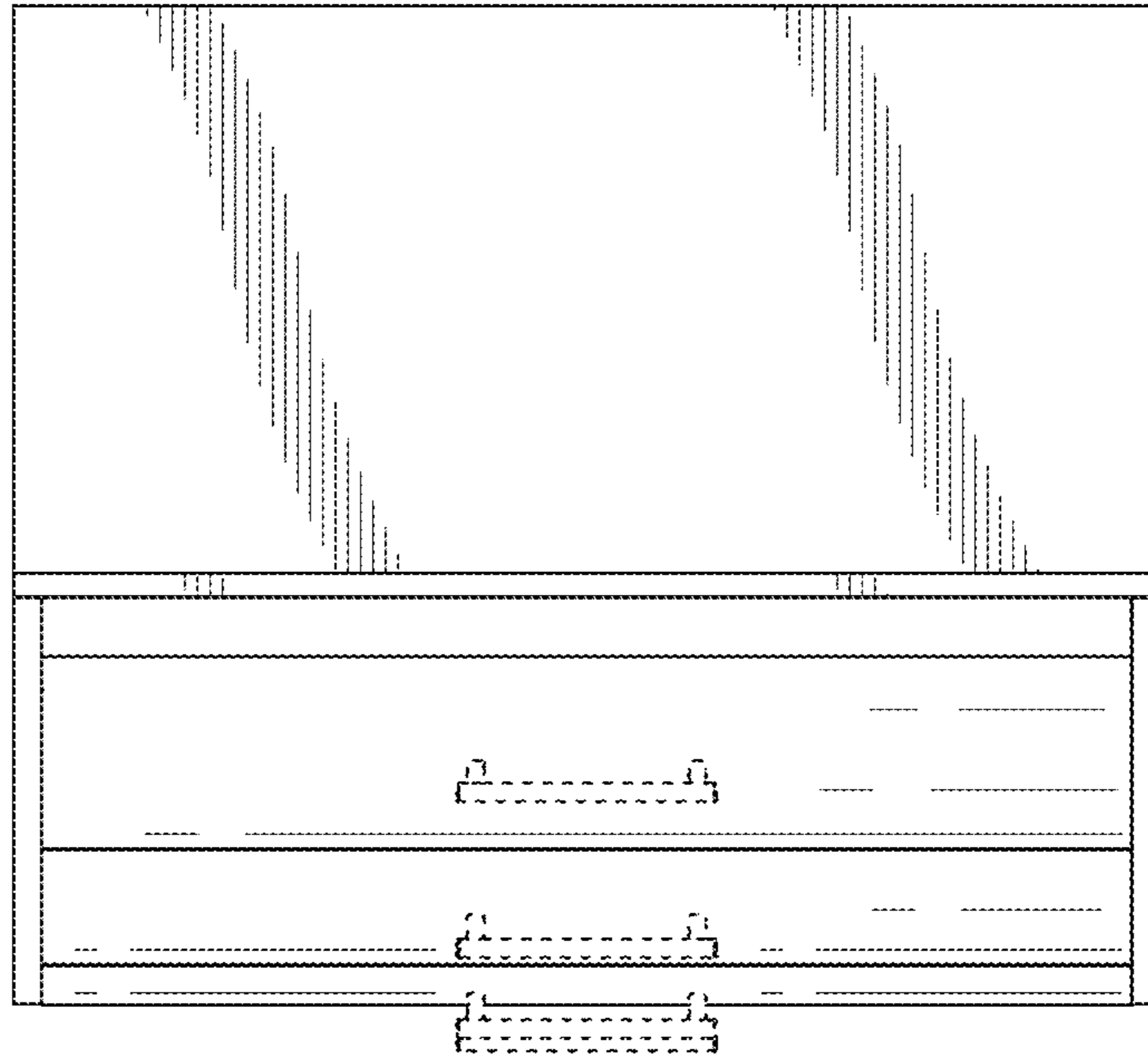


FIG. 13

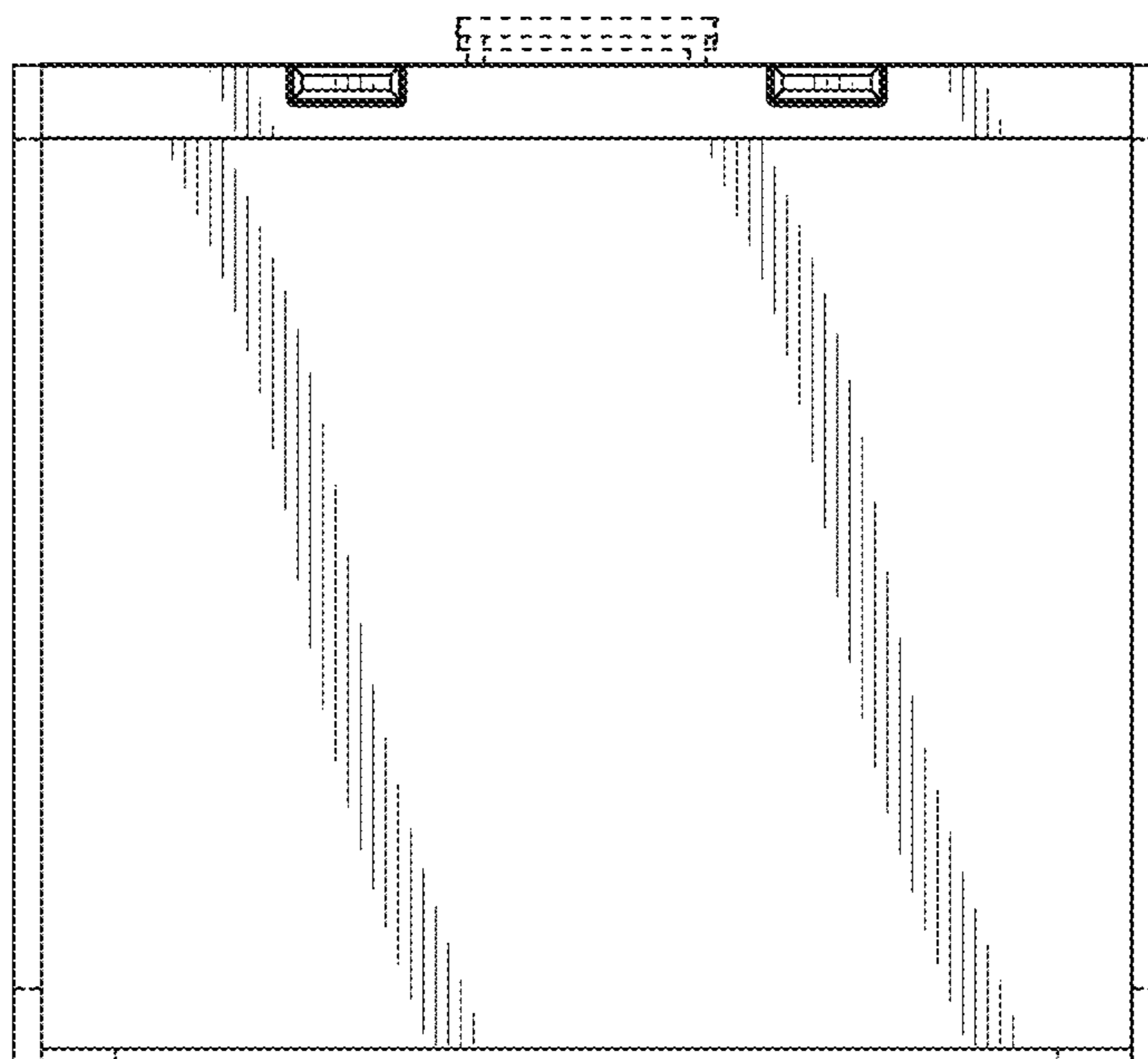


FIG. 14

FIG. 15

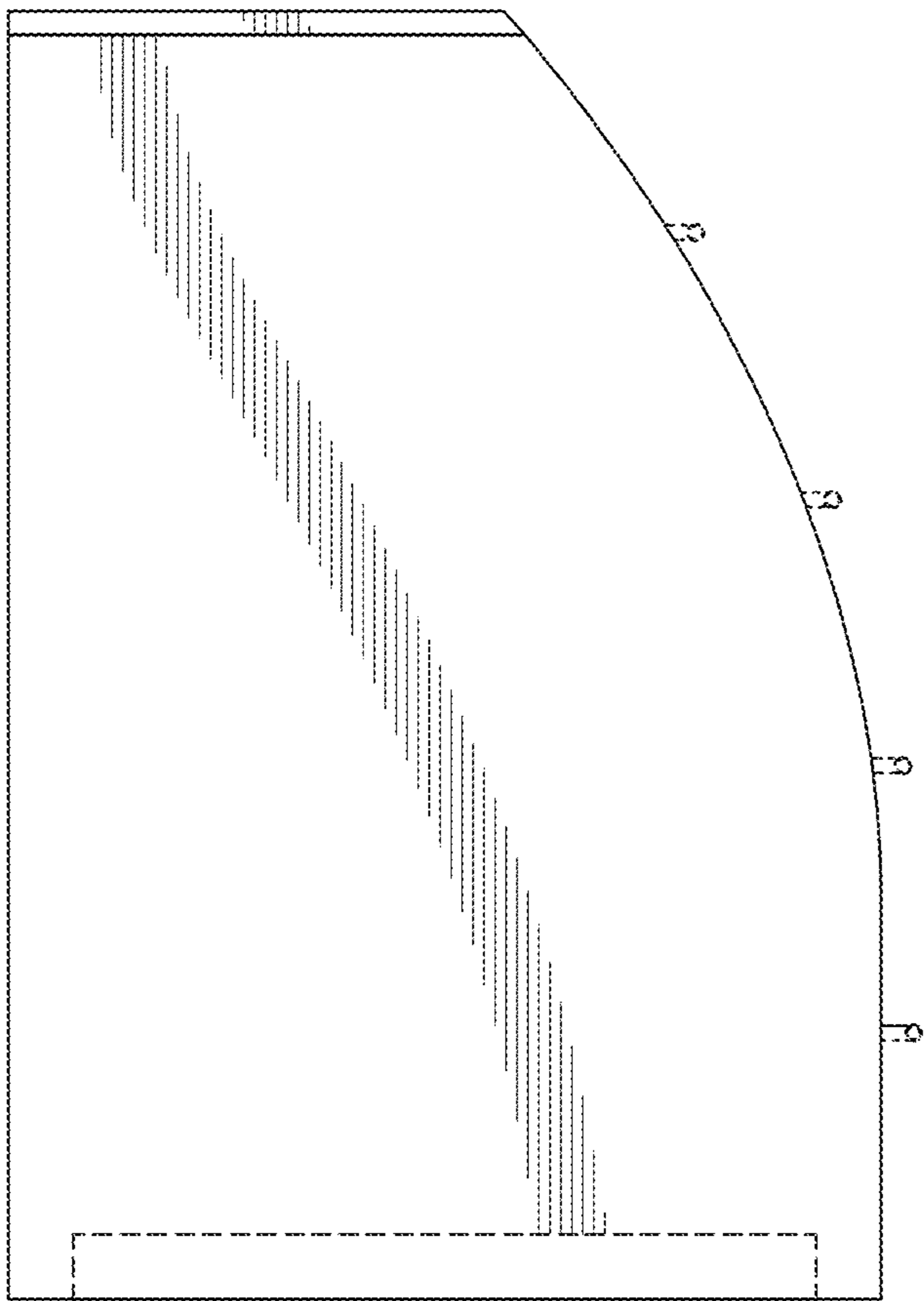
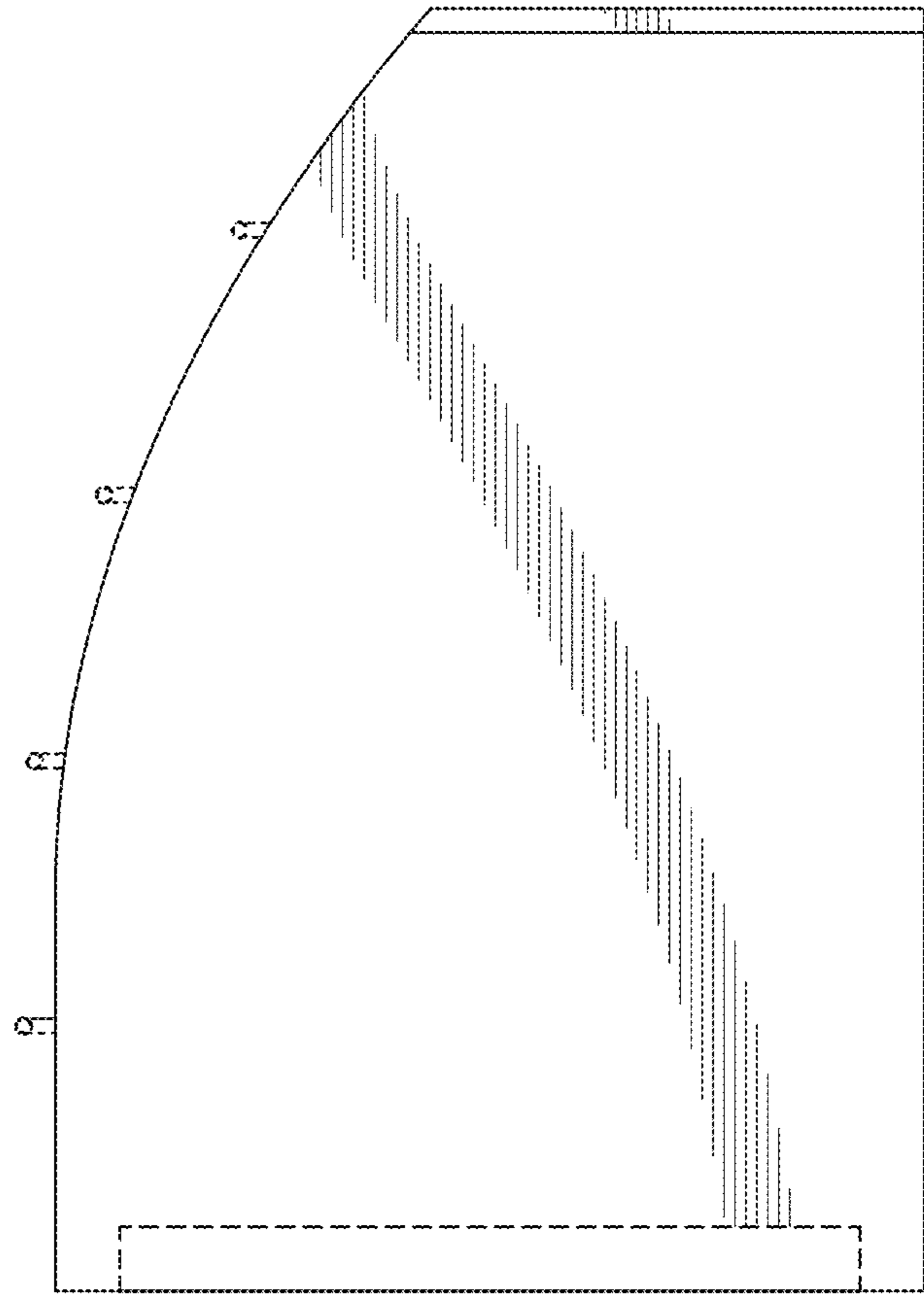


FIG. 16

FIG. 17

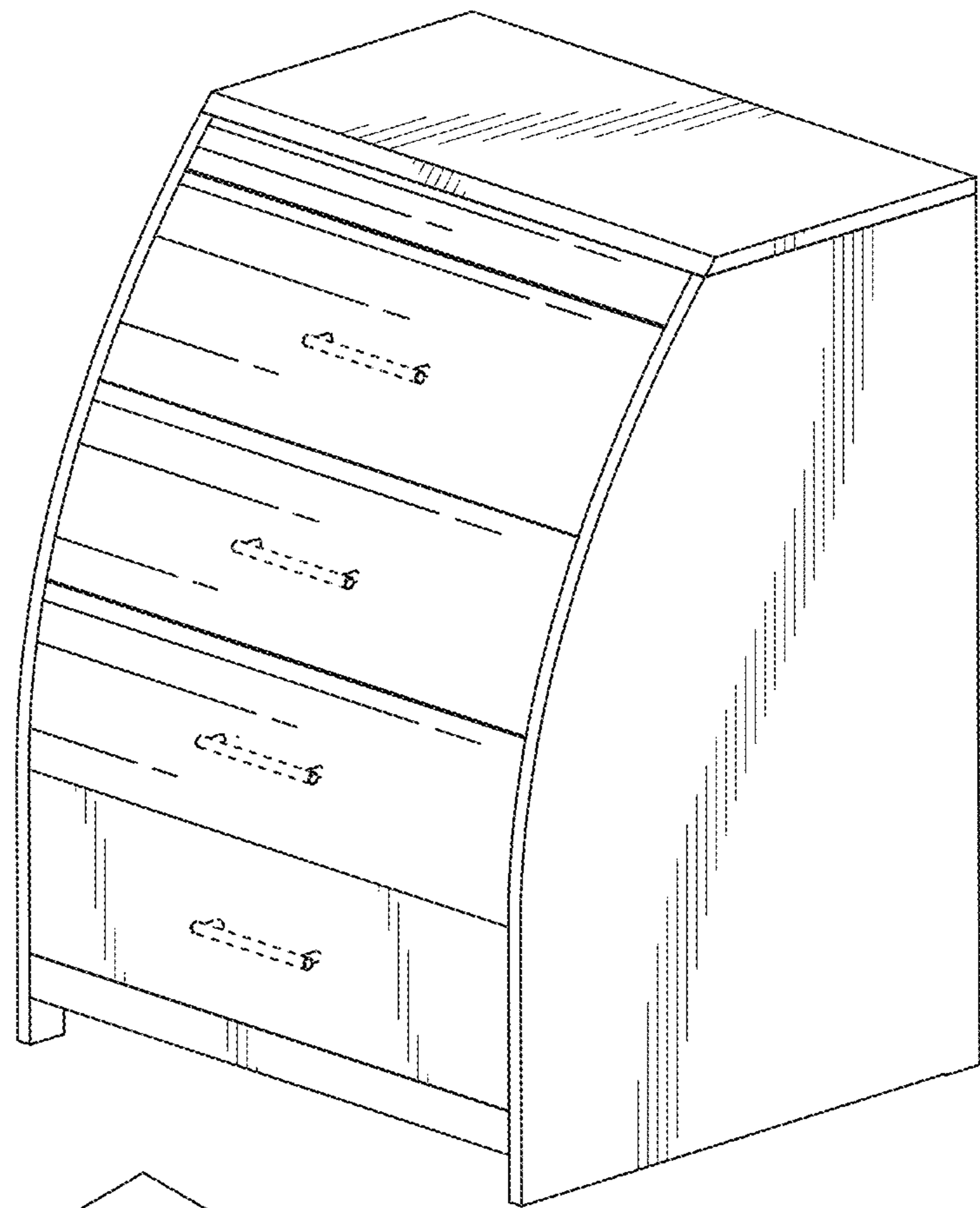


FIG. 18

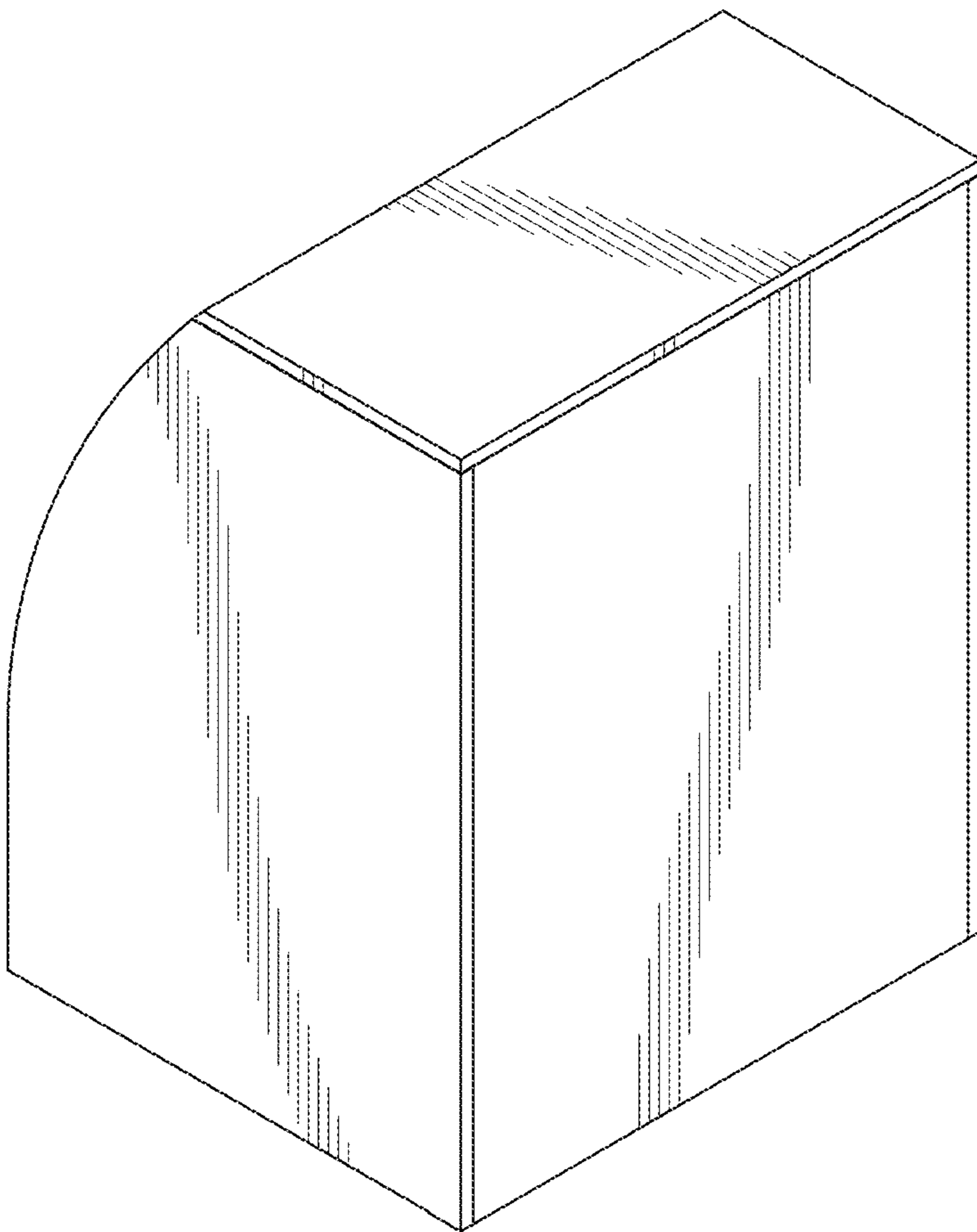


FIG. 19

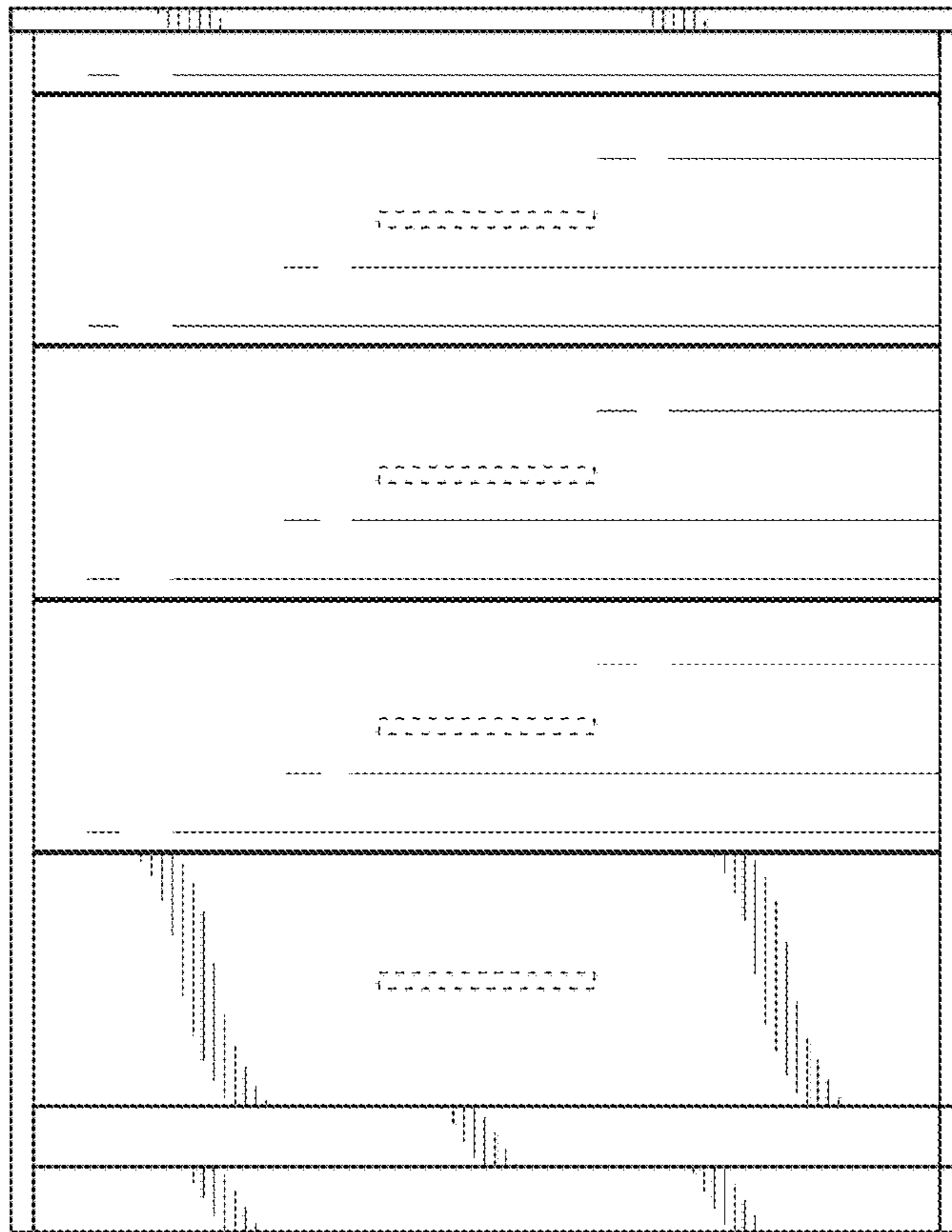
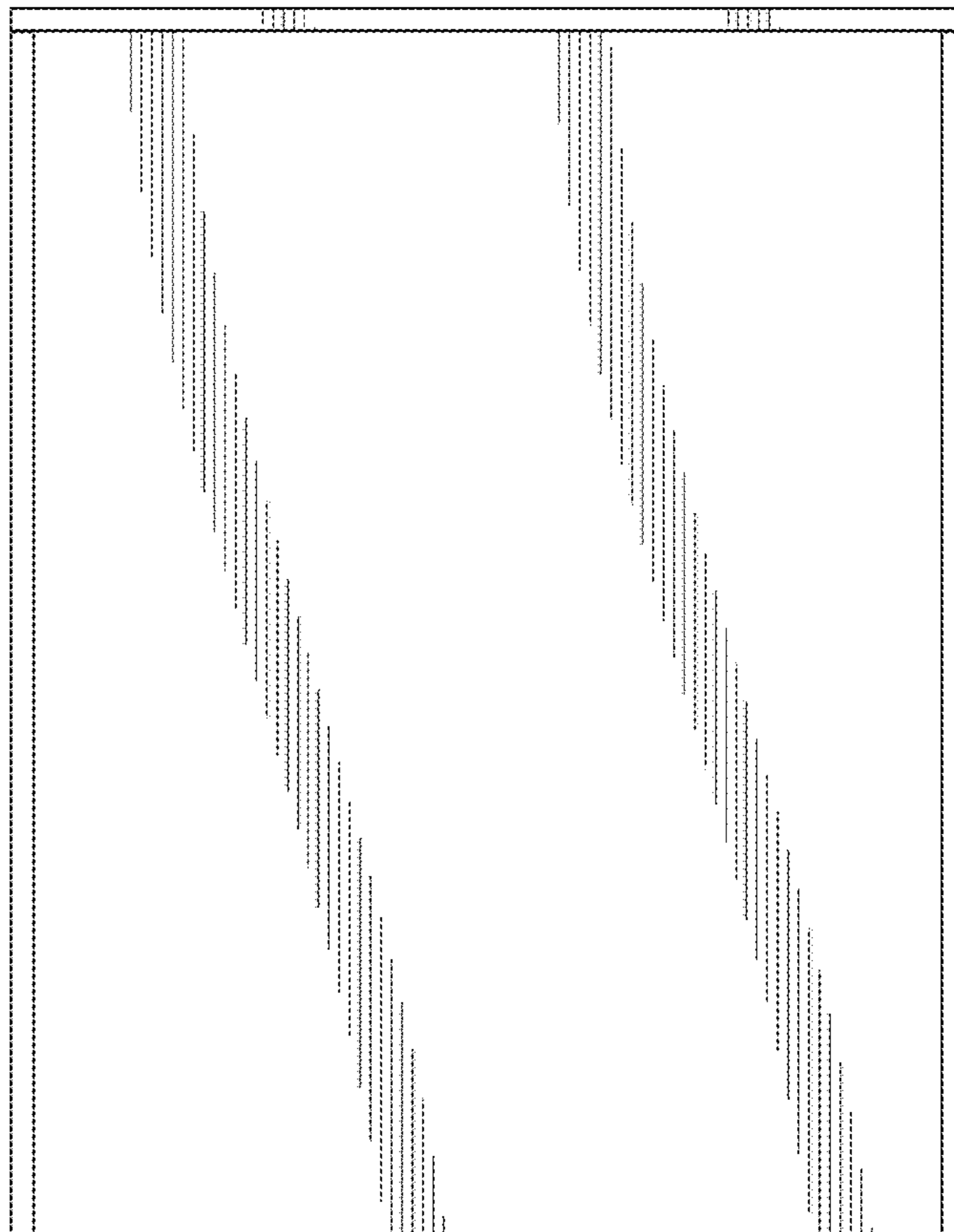


FIG. 20



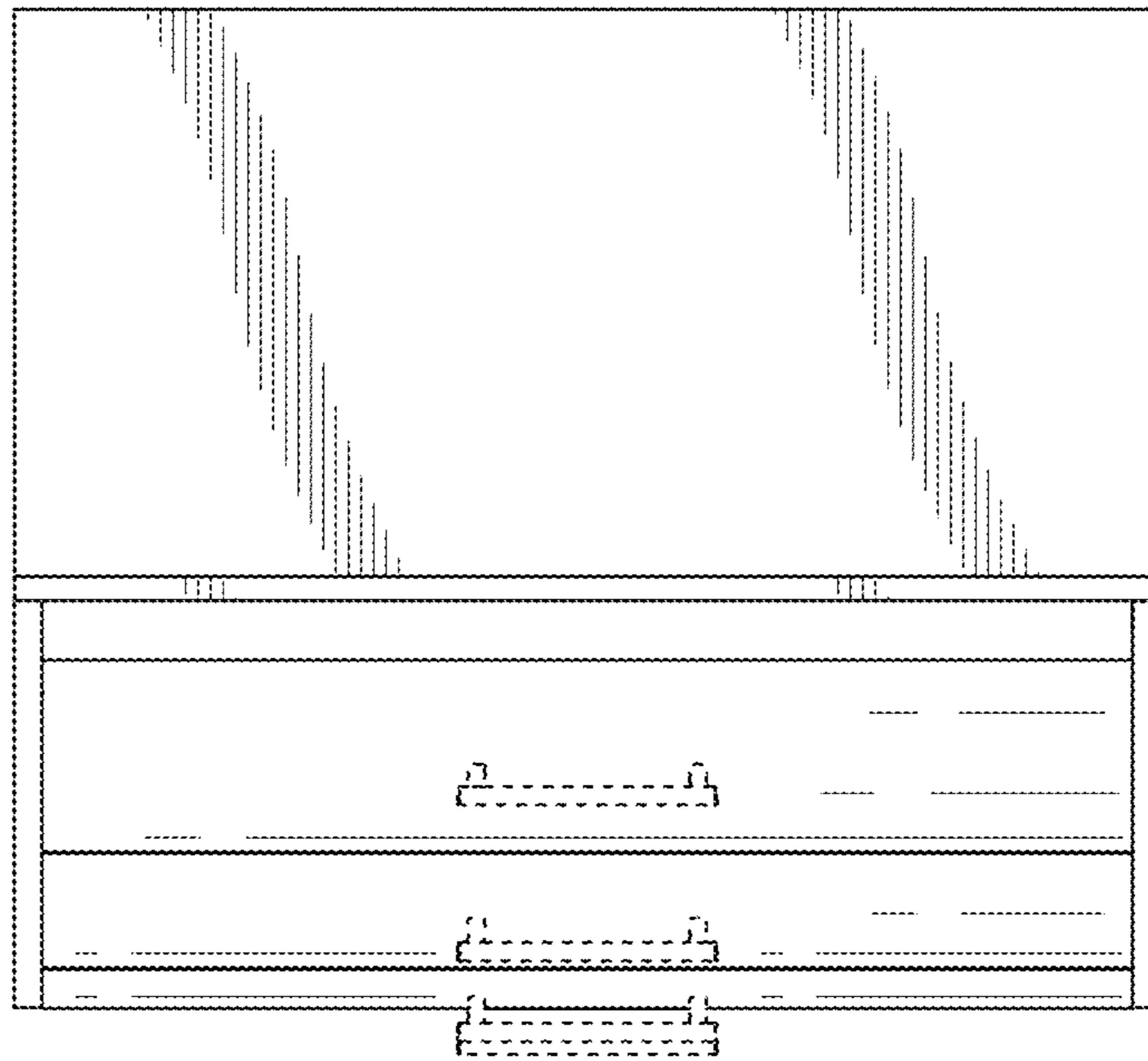


FIG. 21

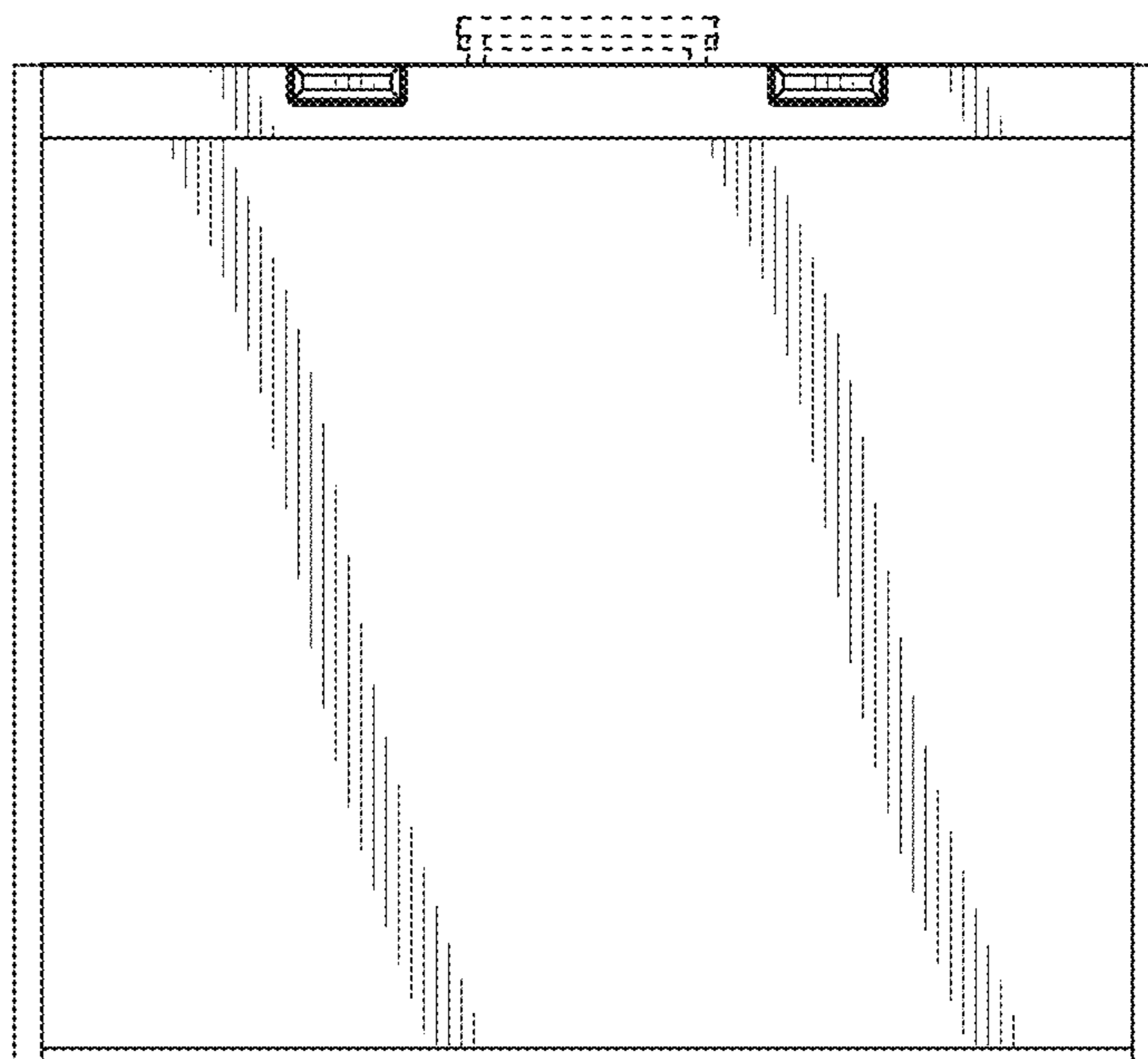


FIG. 22

FIG. 23

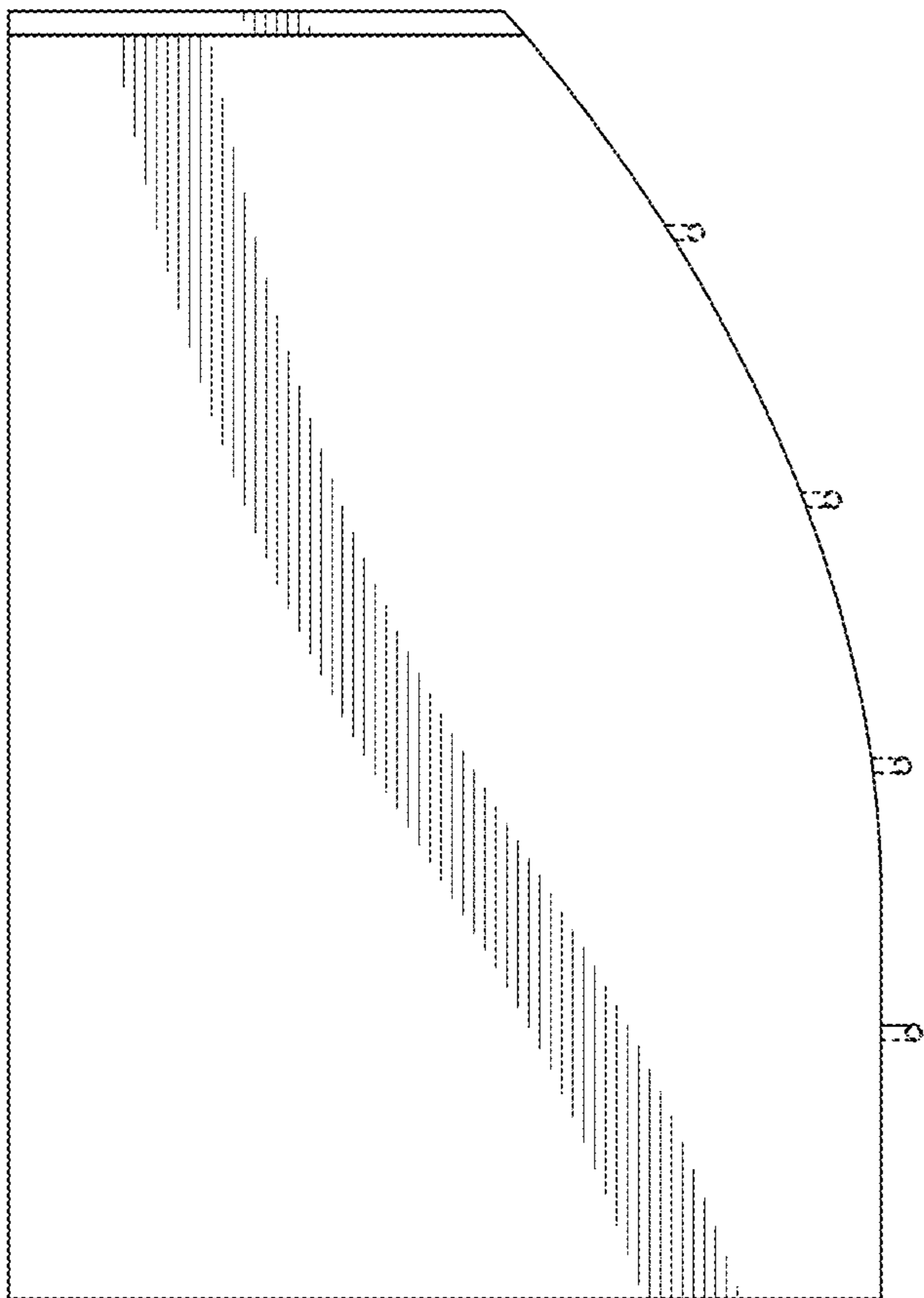
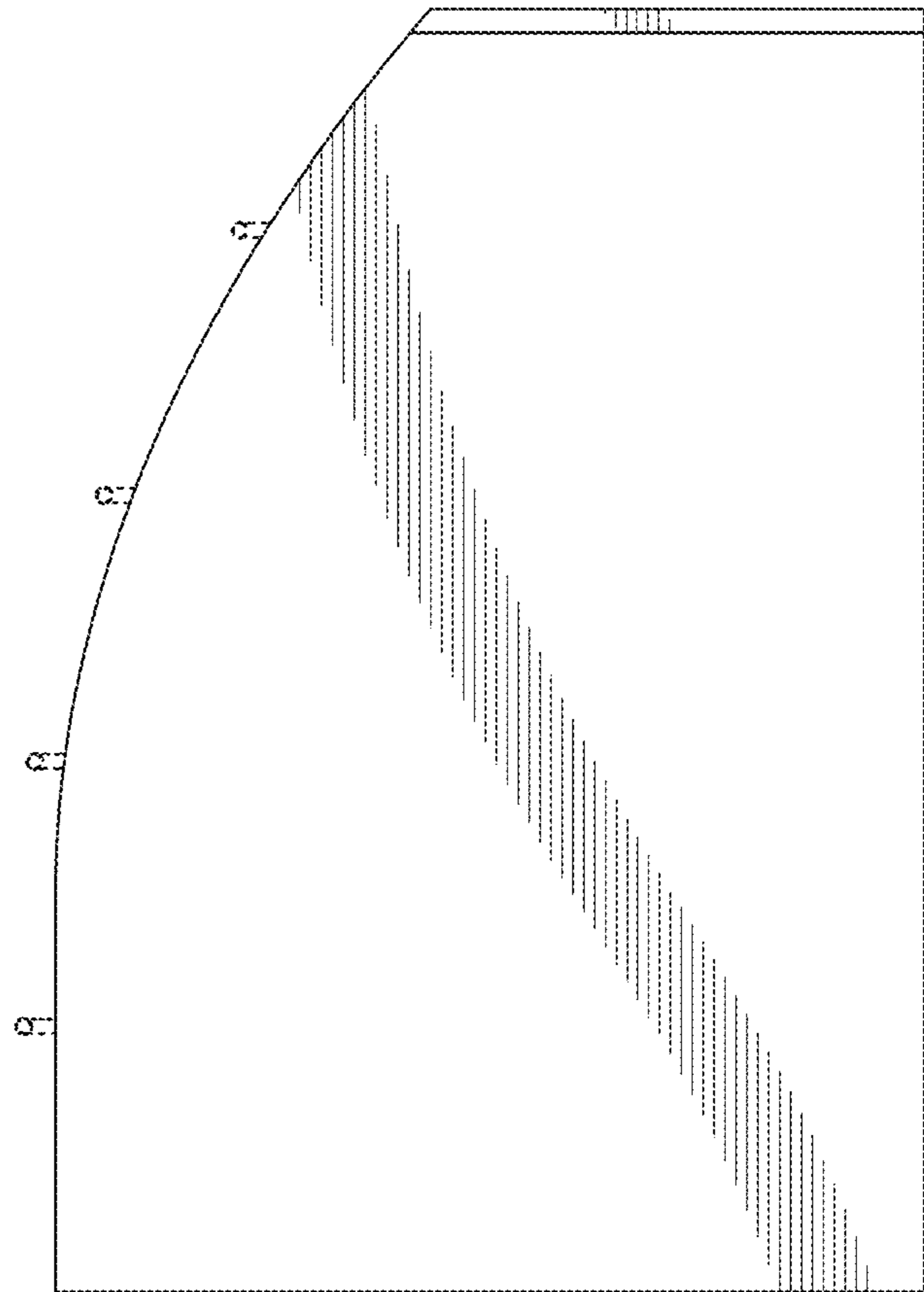


FIG. 24

FIG. 25

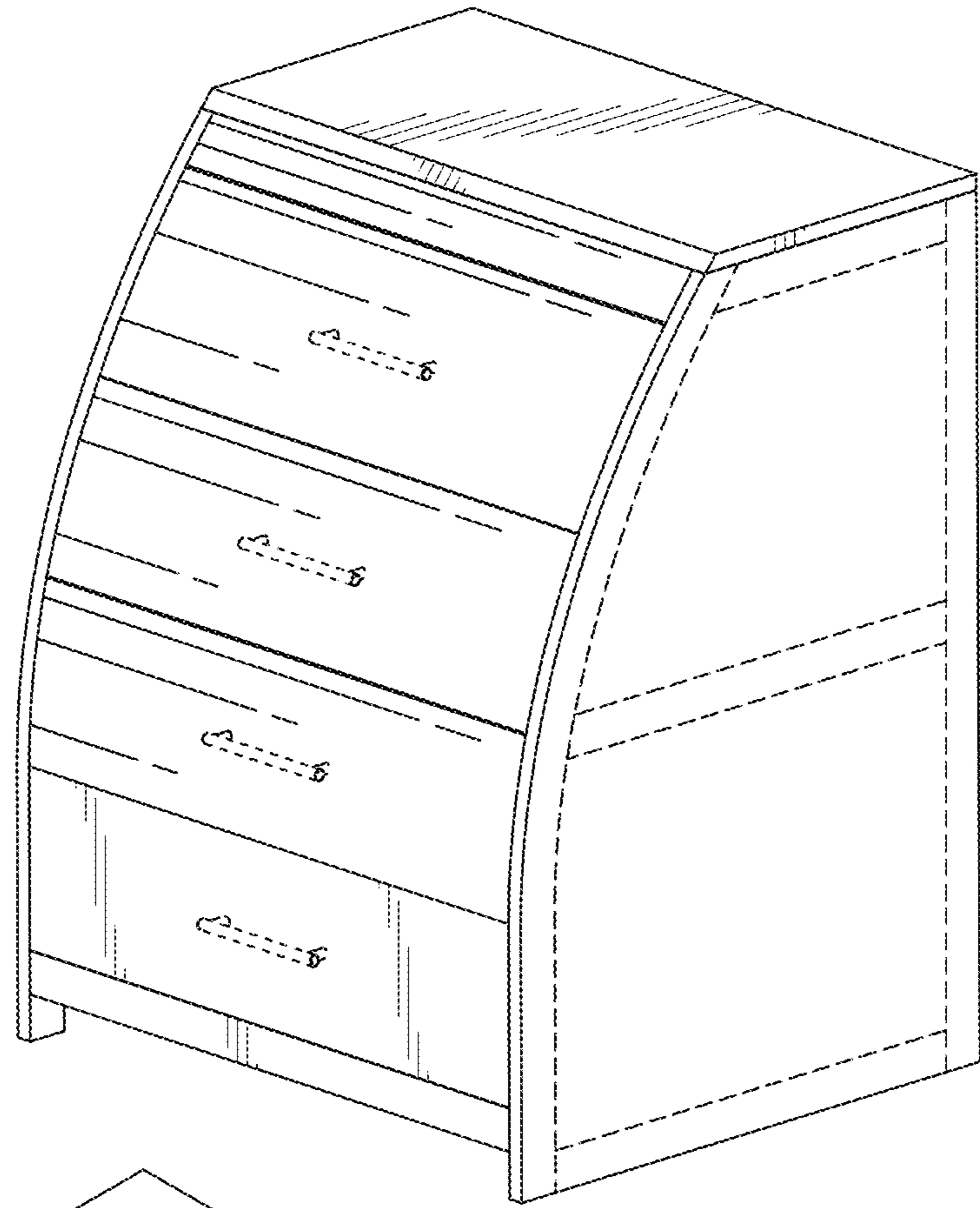


FIG. 26

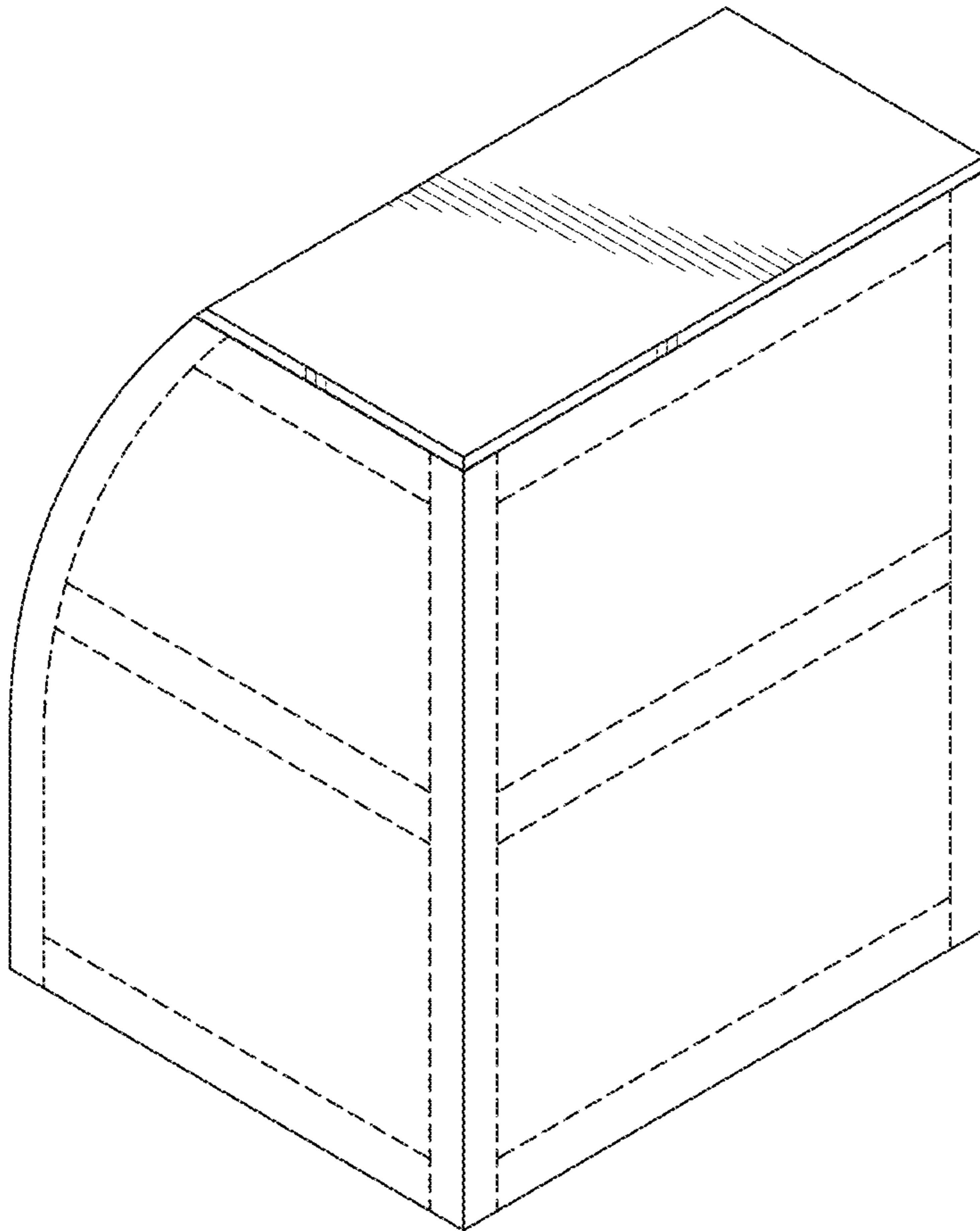


FIG. 27

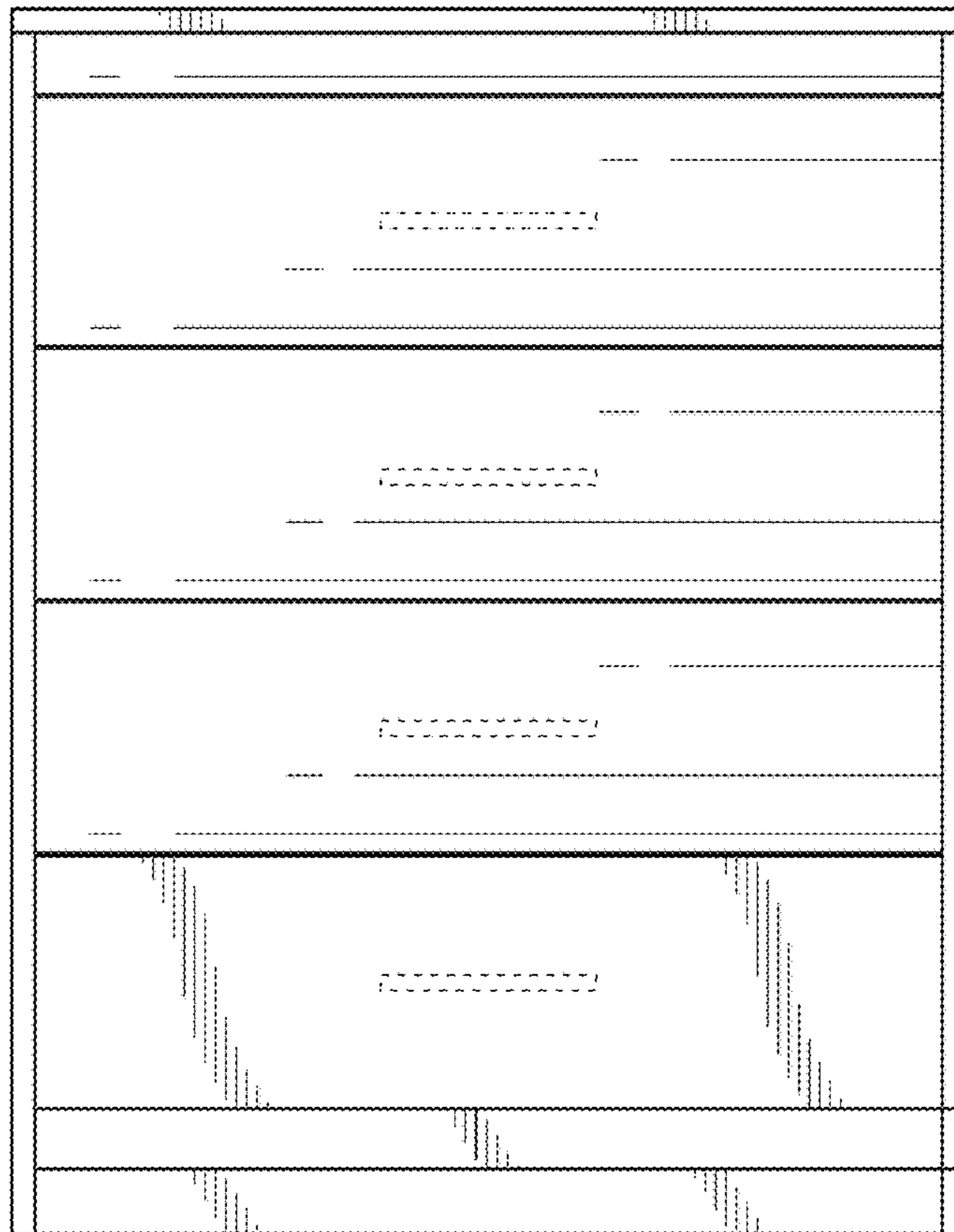
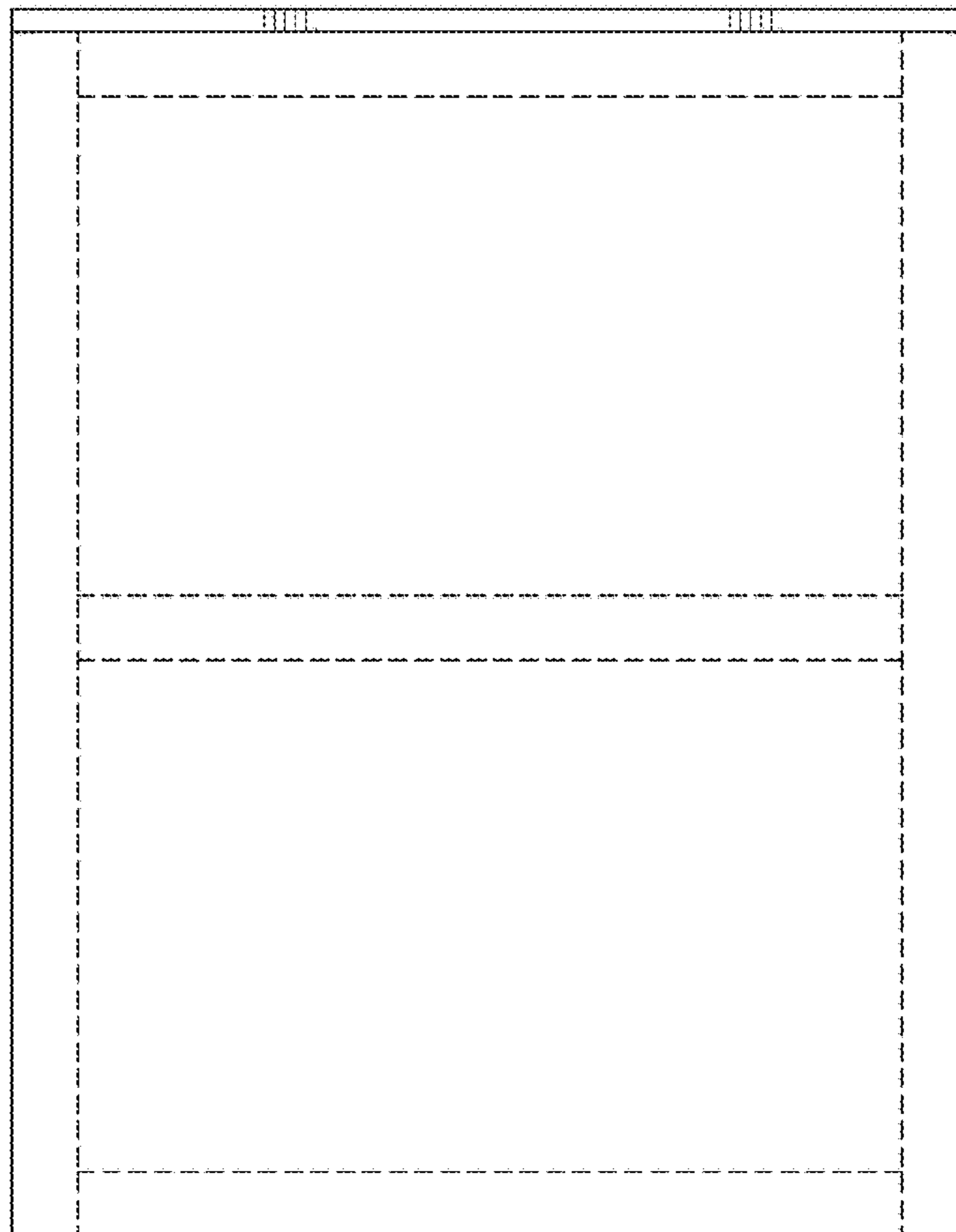


FIG. 28



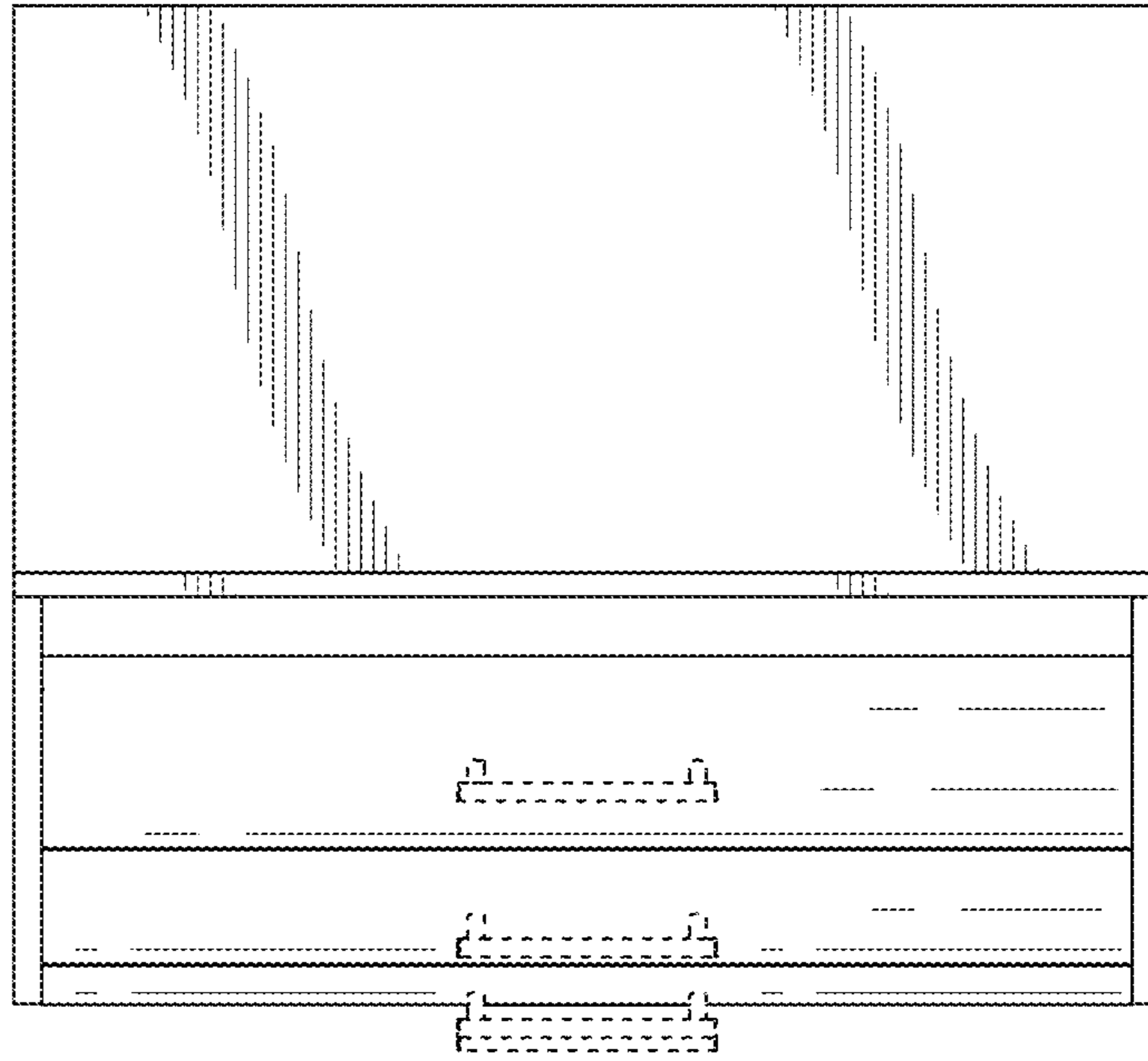


FIG. 29

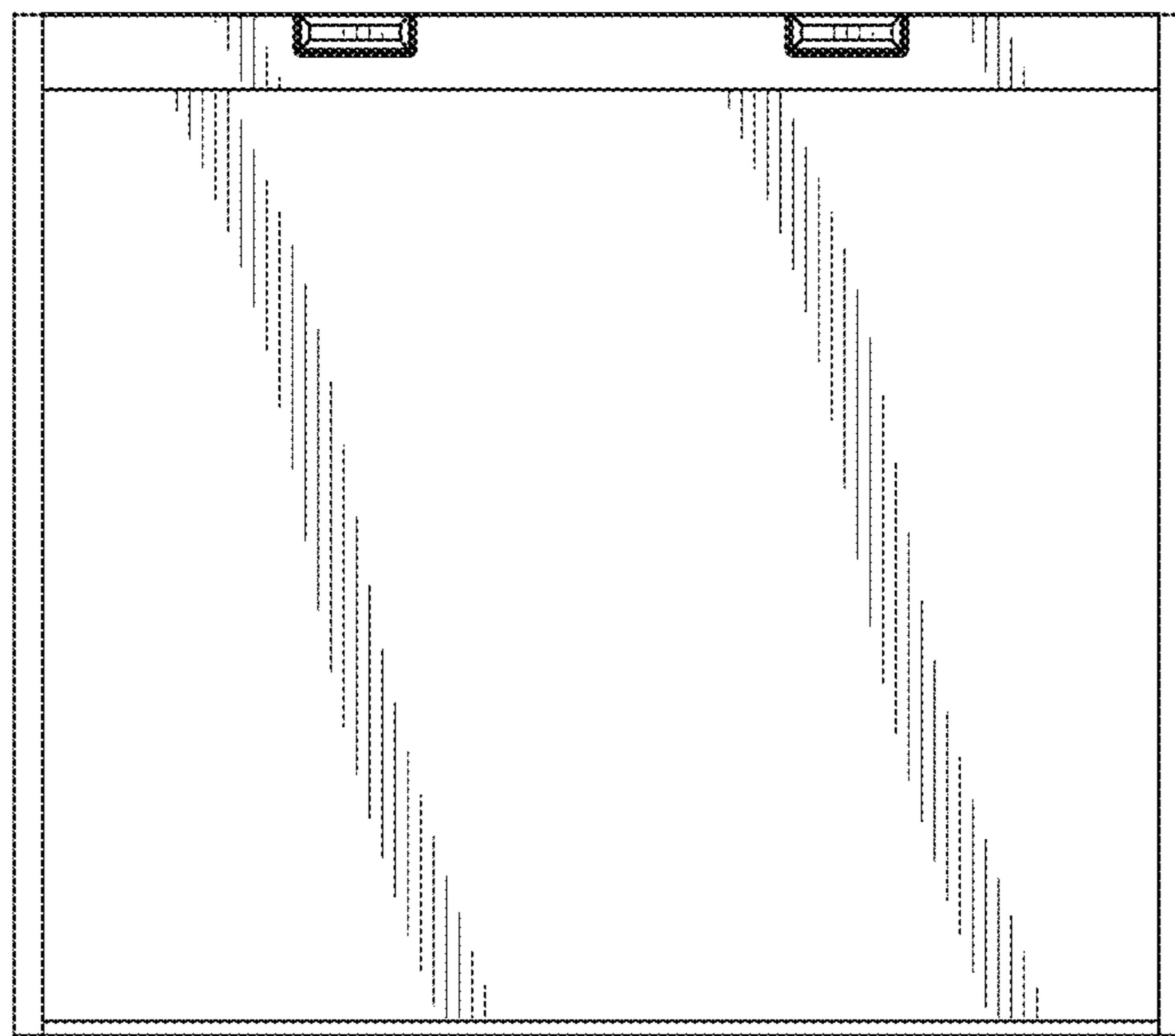


FIG. 30

FIG. 31

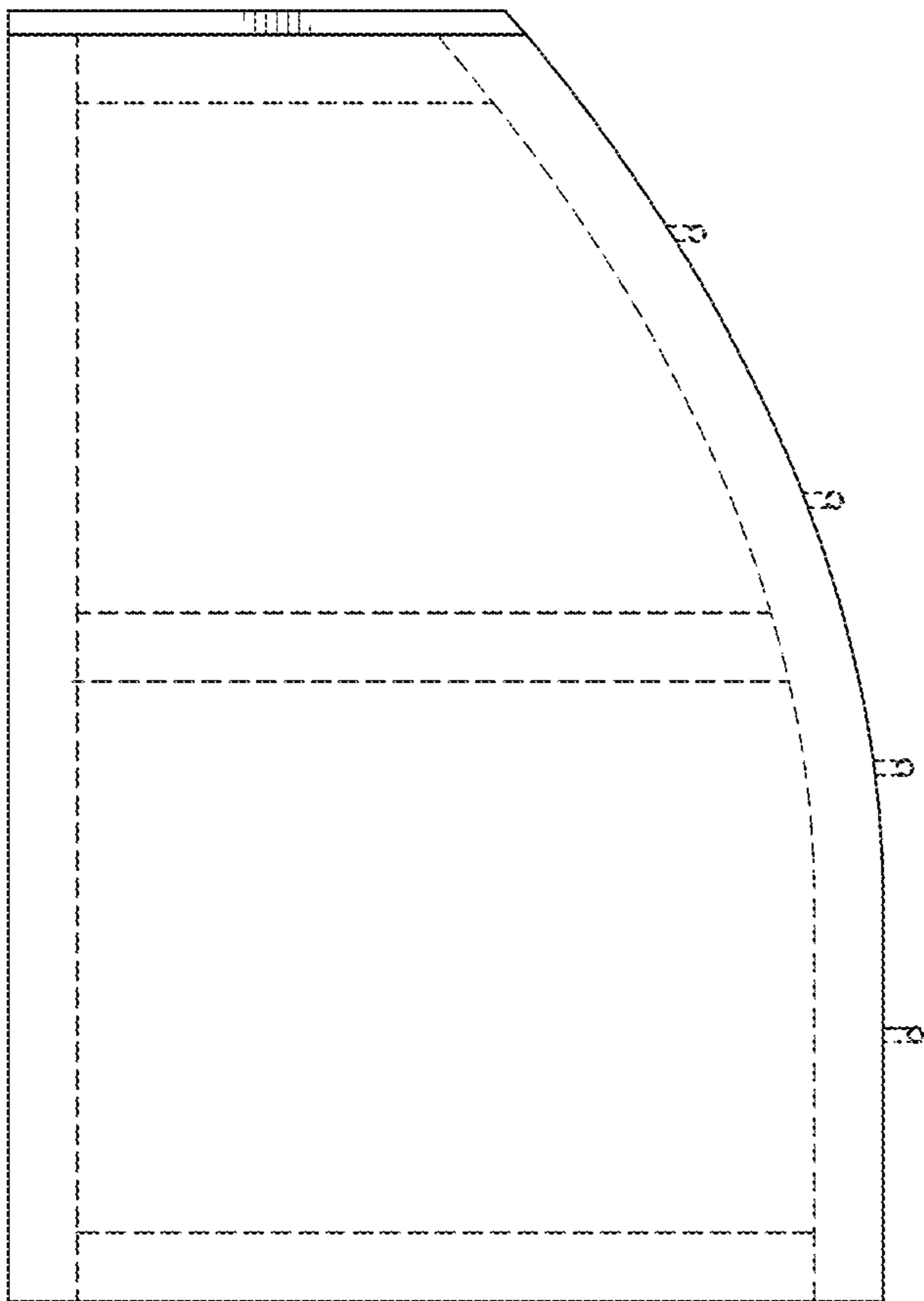
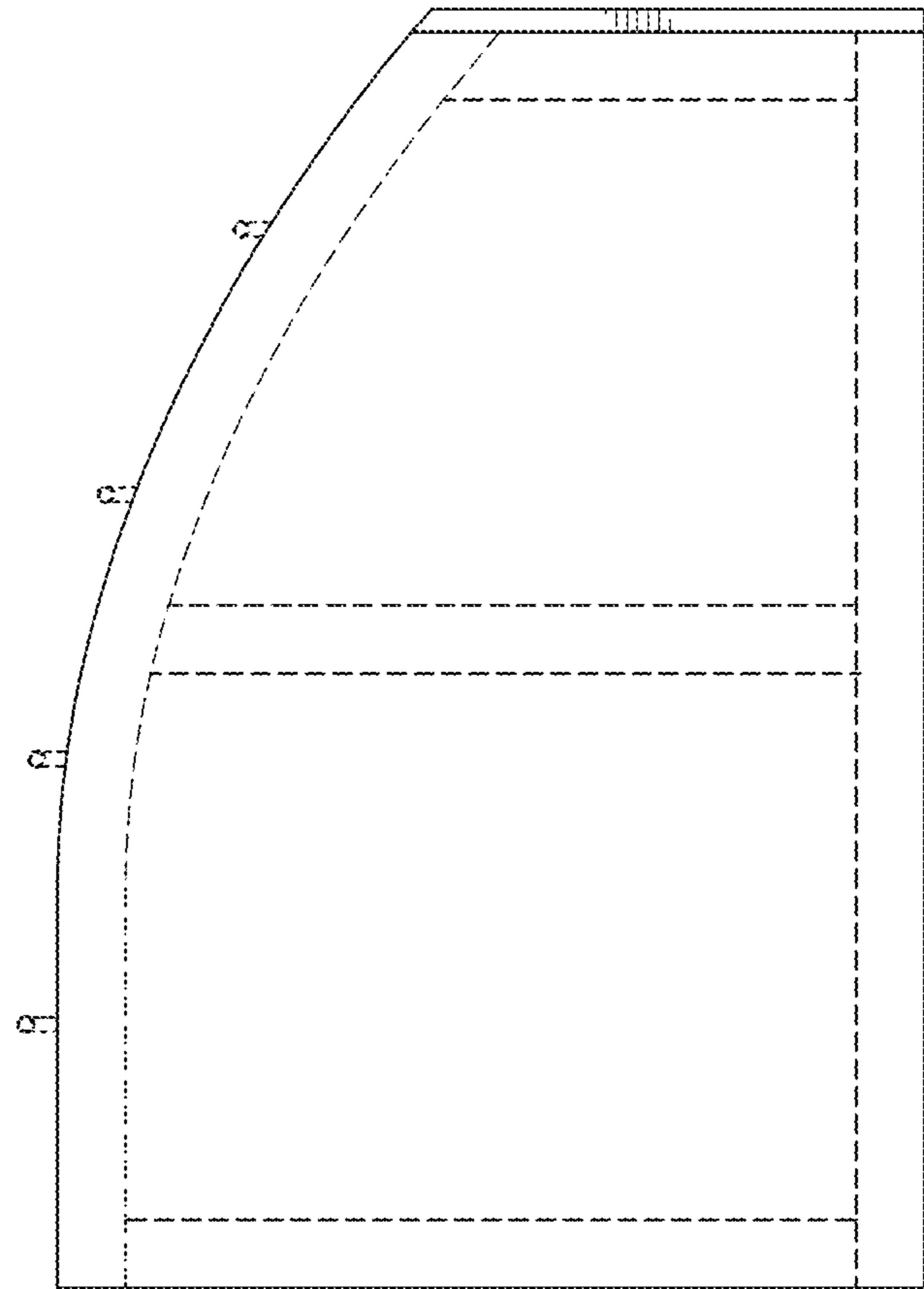


FIG. 32

FIG. 33

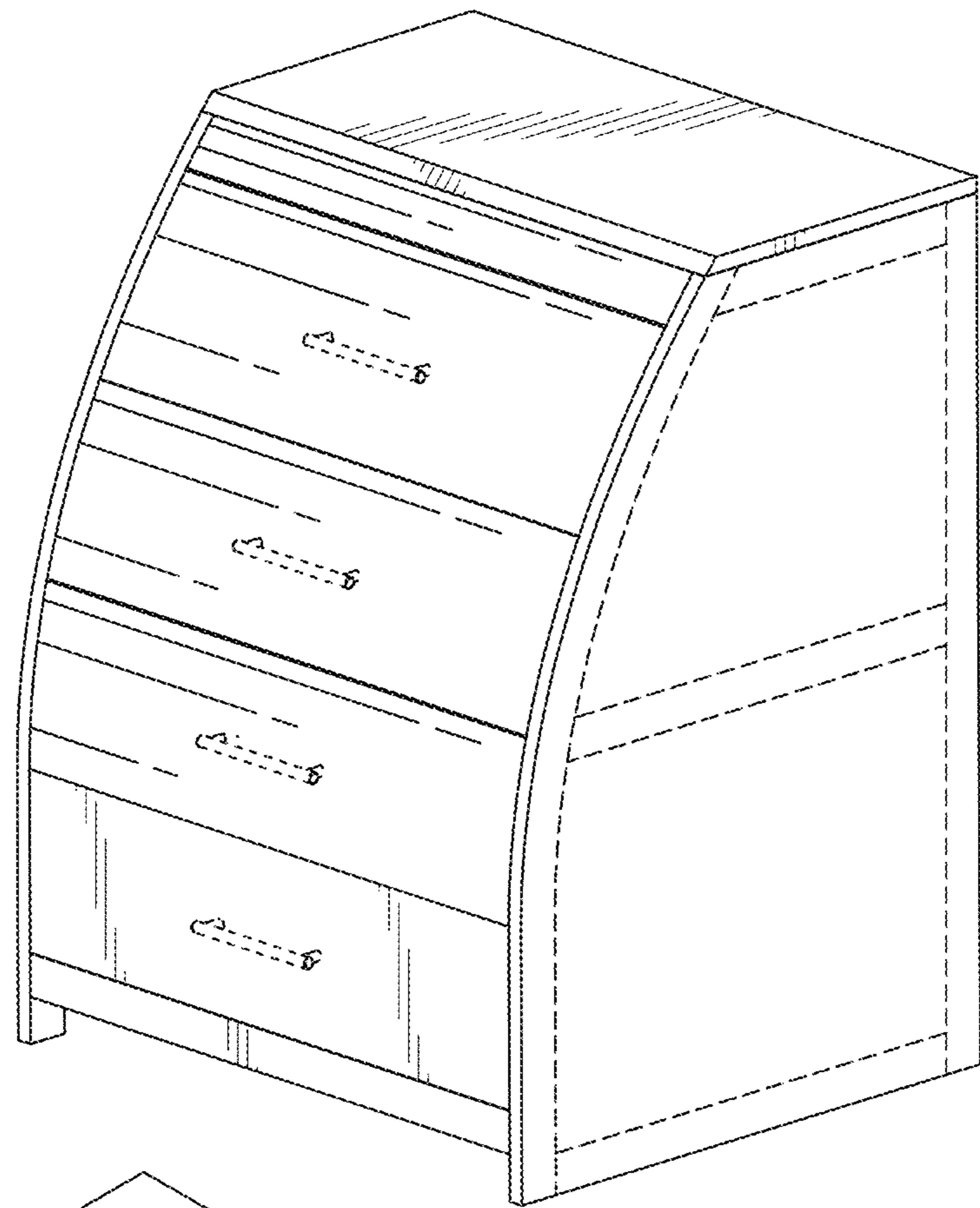


FIG. 34

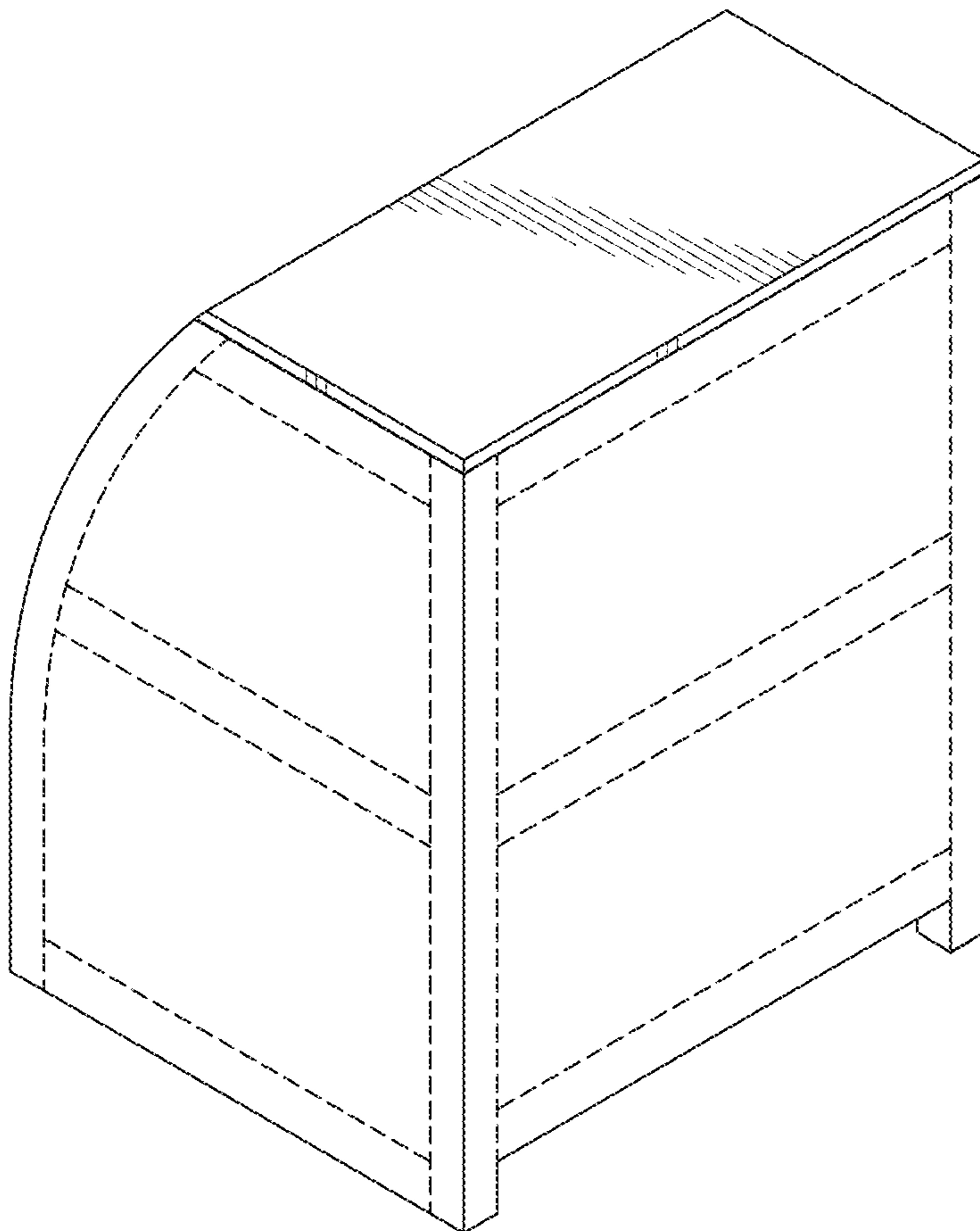


FIG. 35

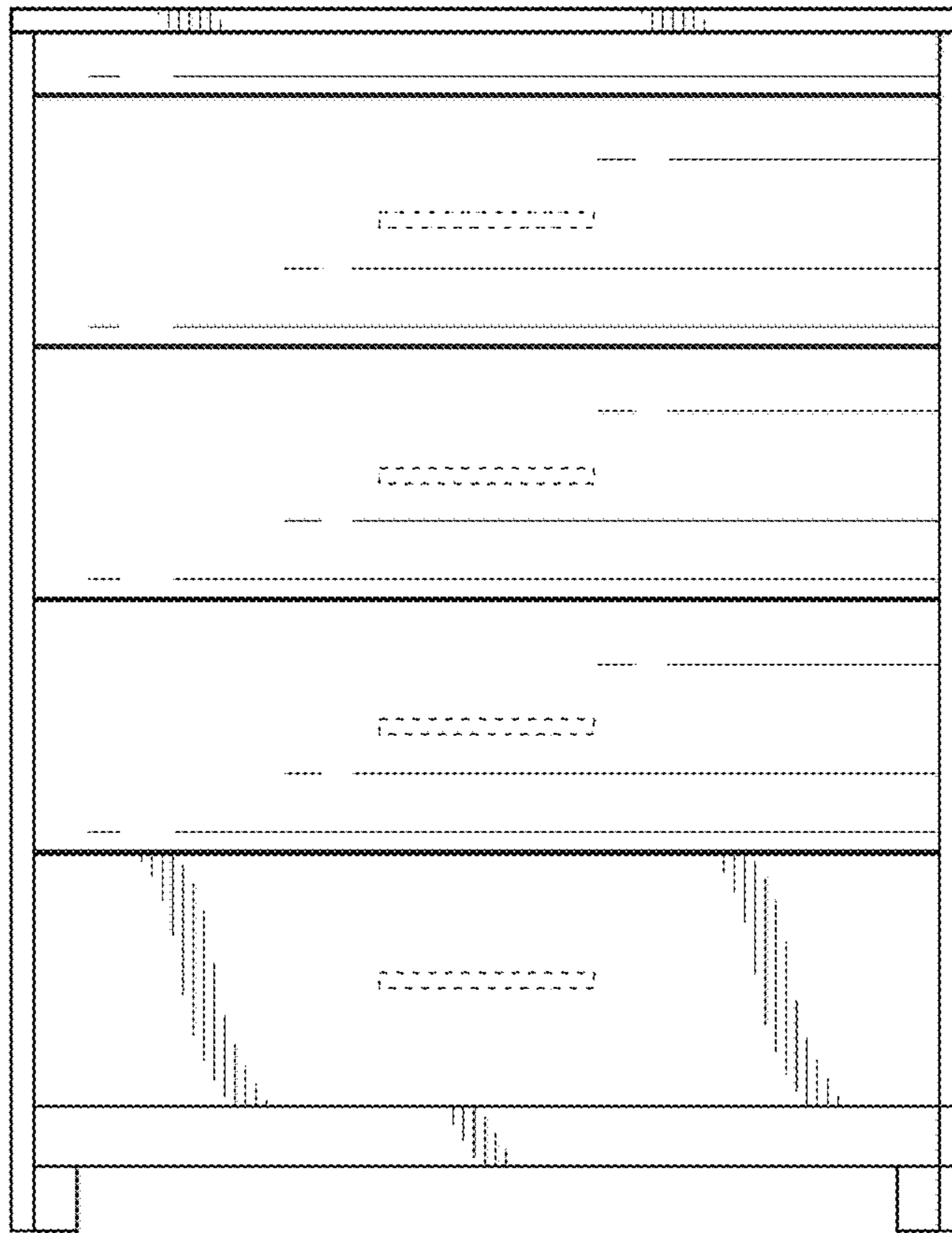
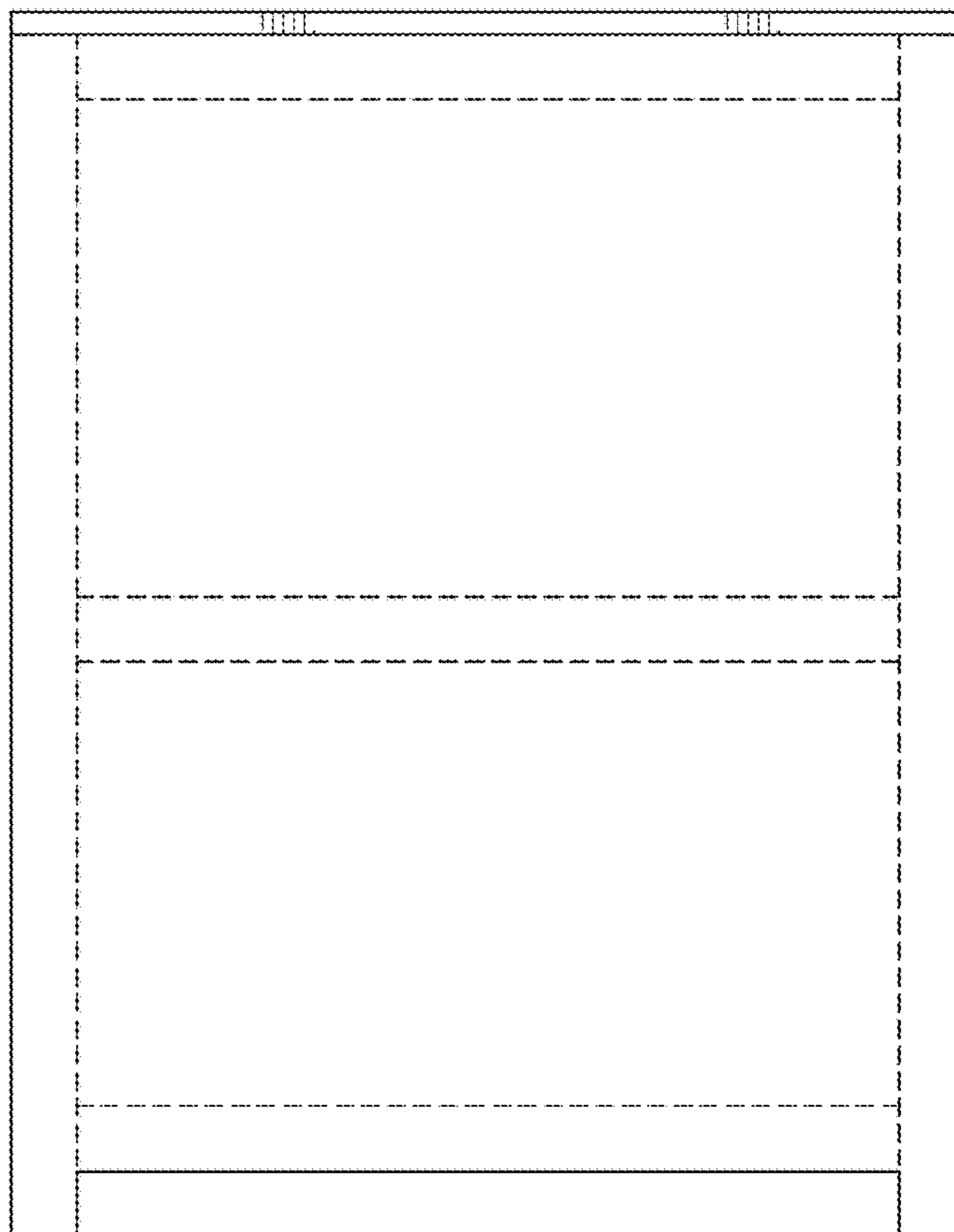


FIG. 36



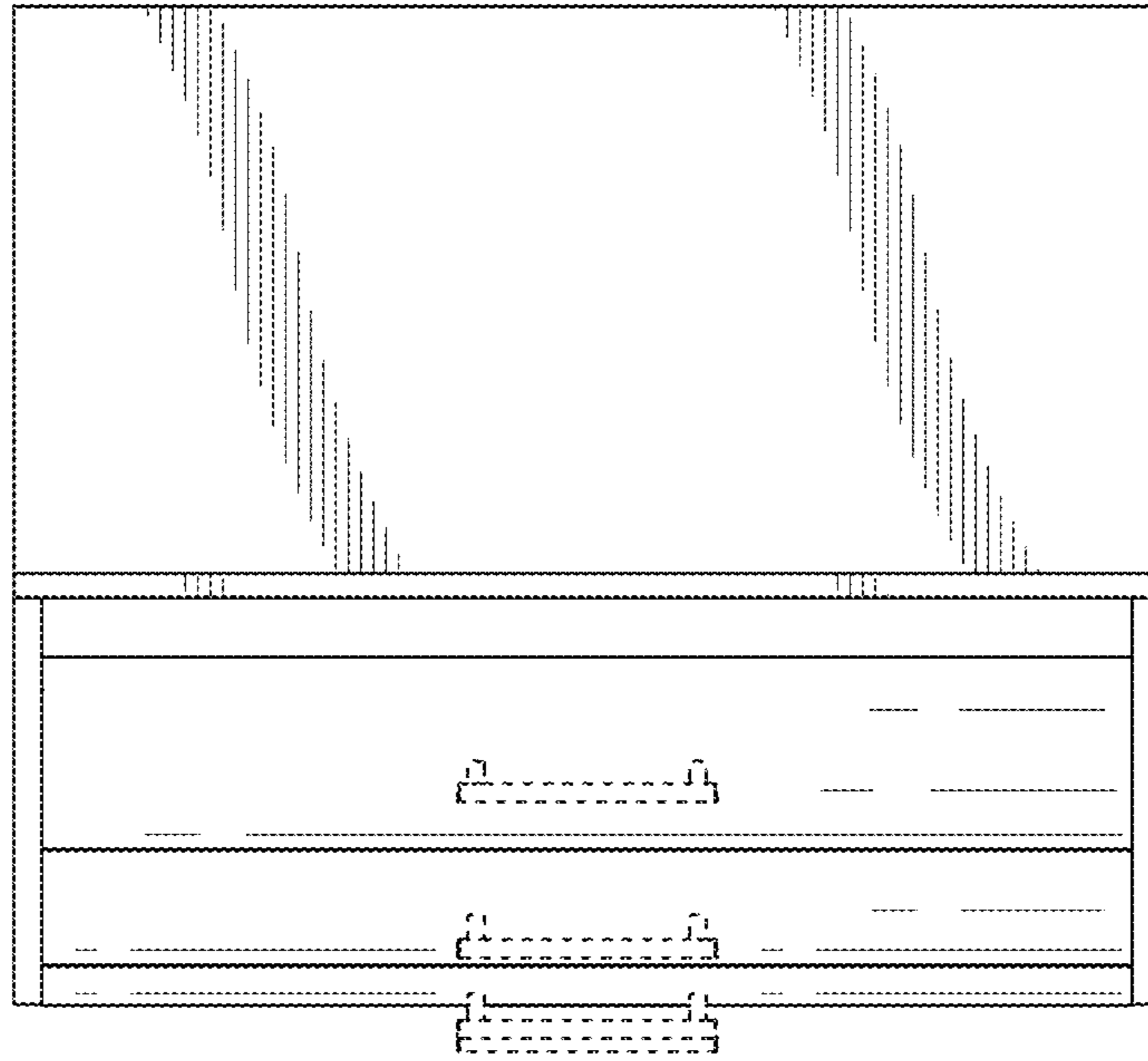


FIG. 37

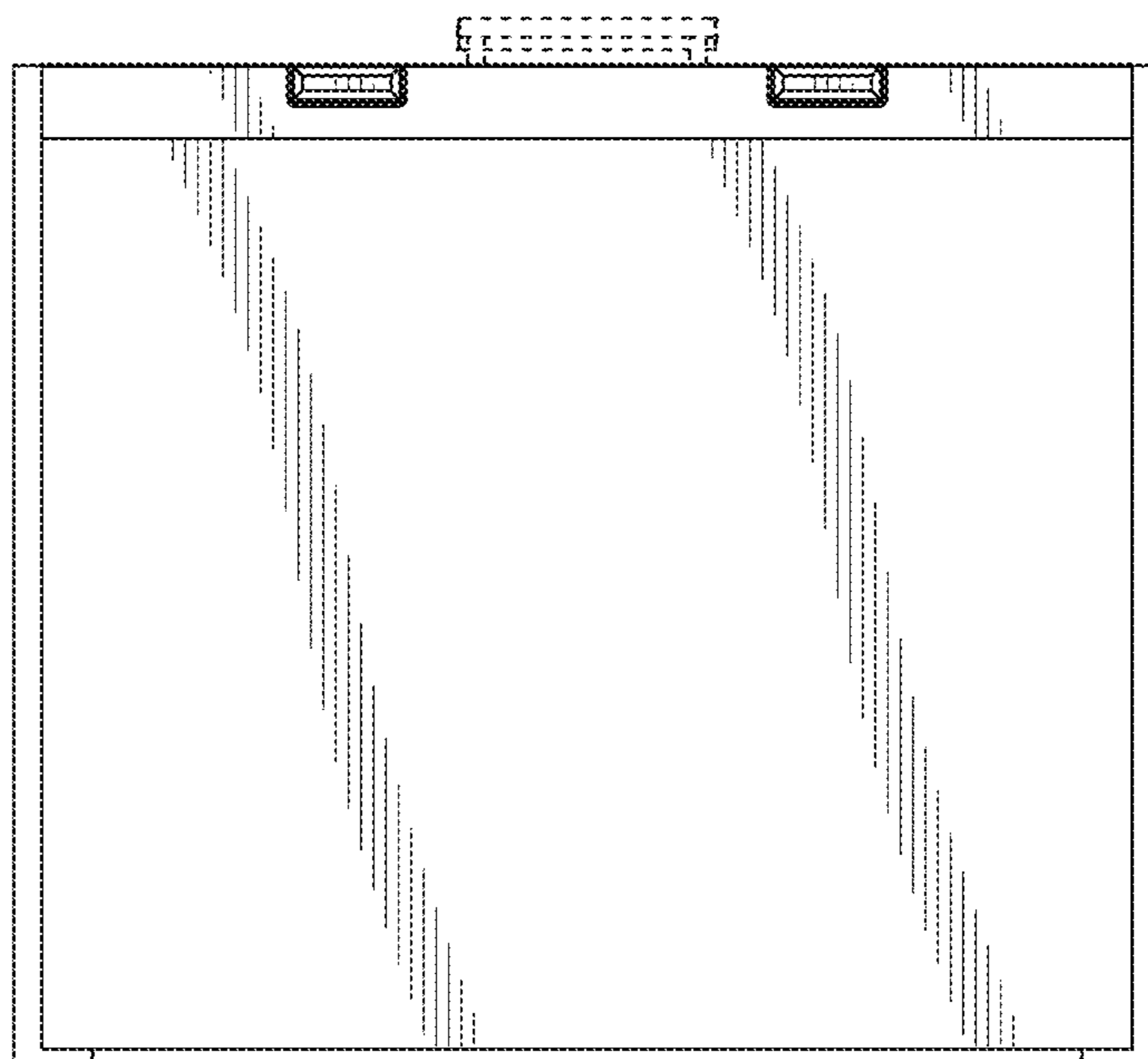


FIG. 38

FIG. 39

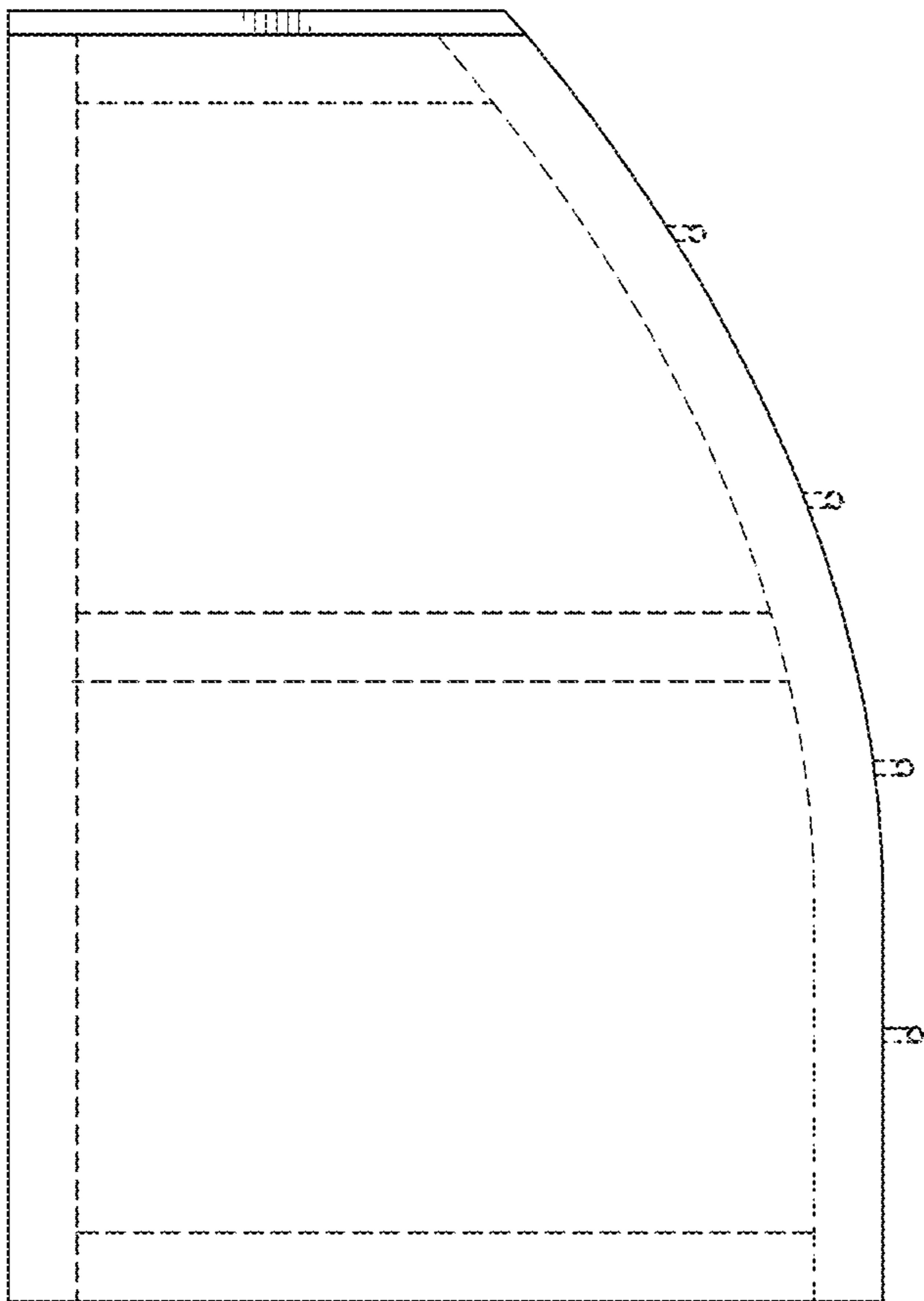
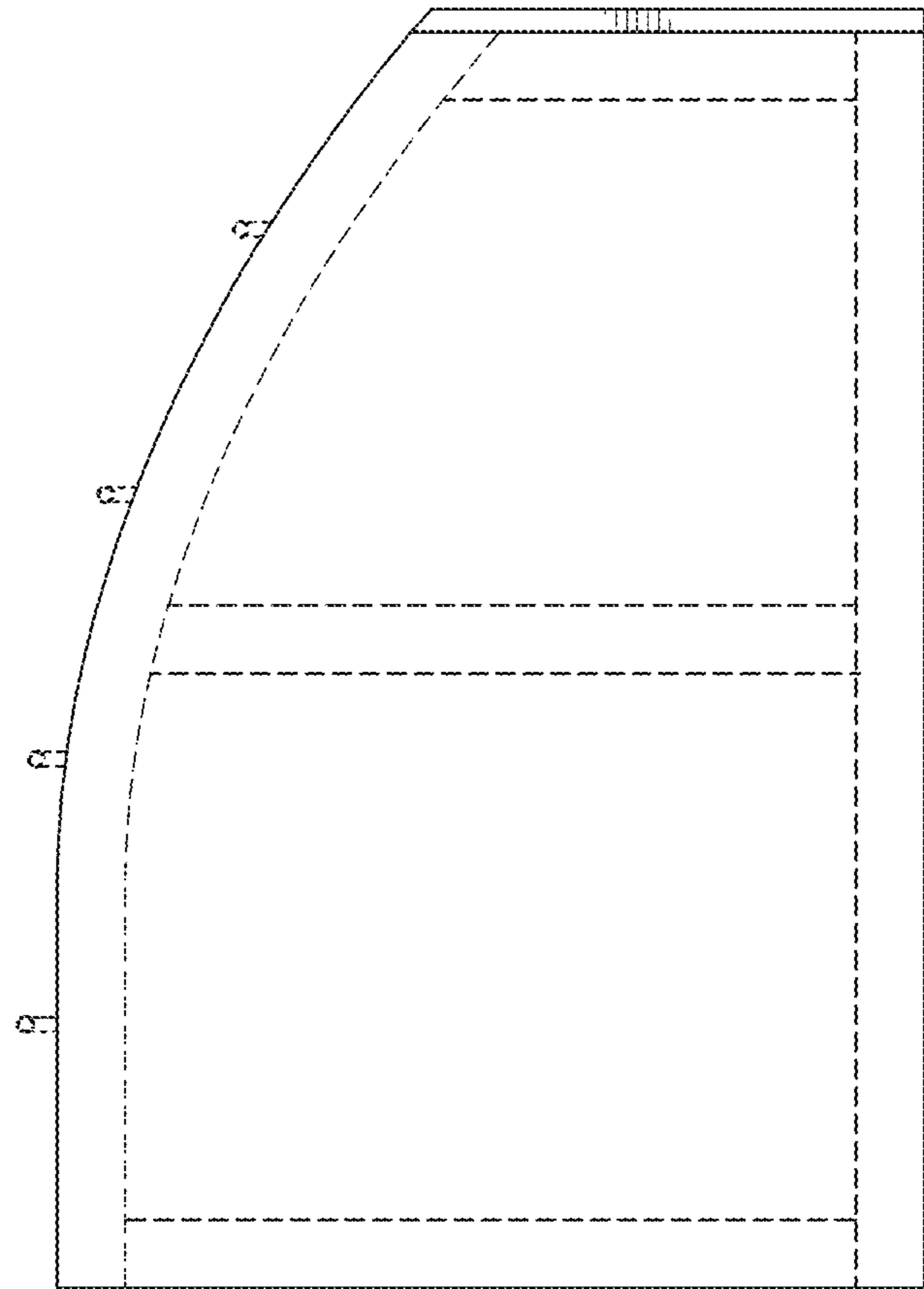


FIG. 40

FIG. 41

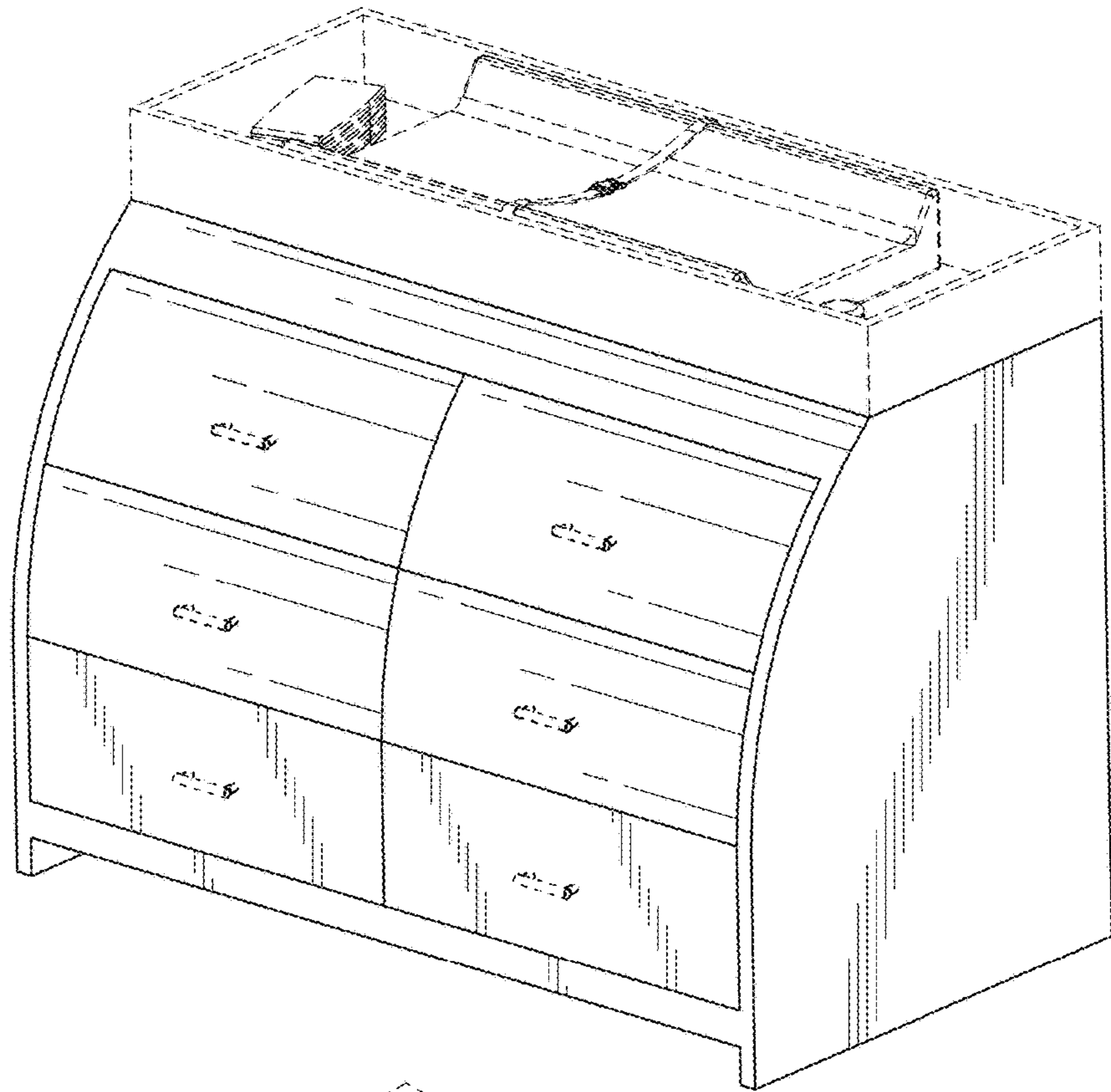
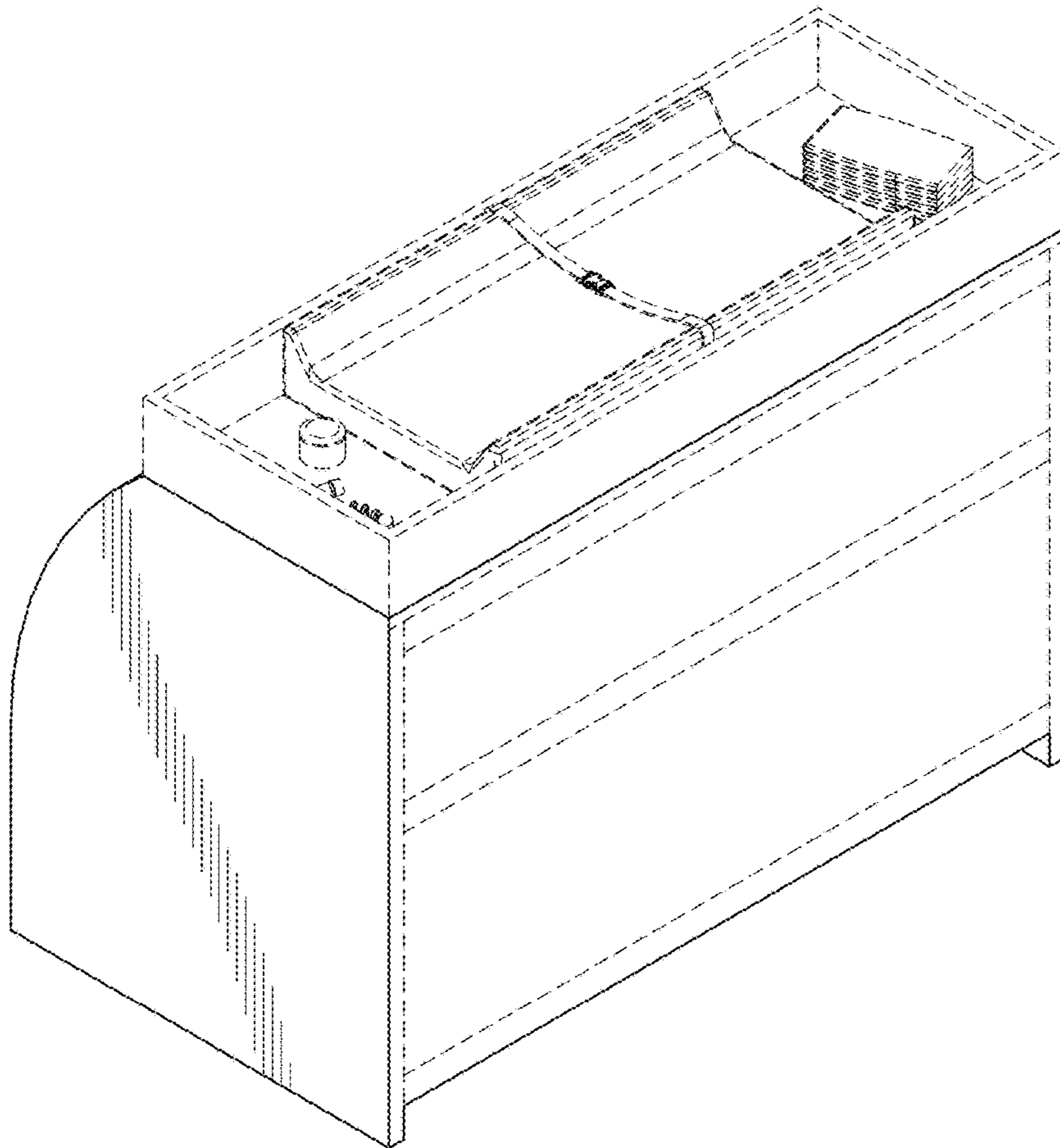


FIG. 42



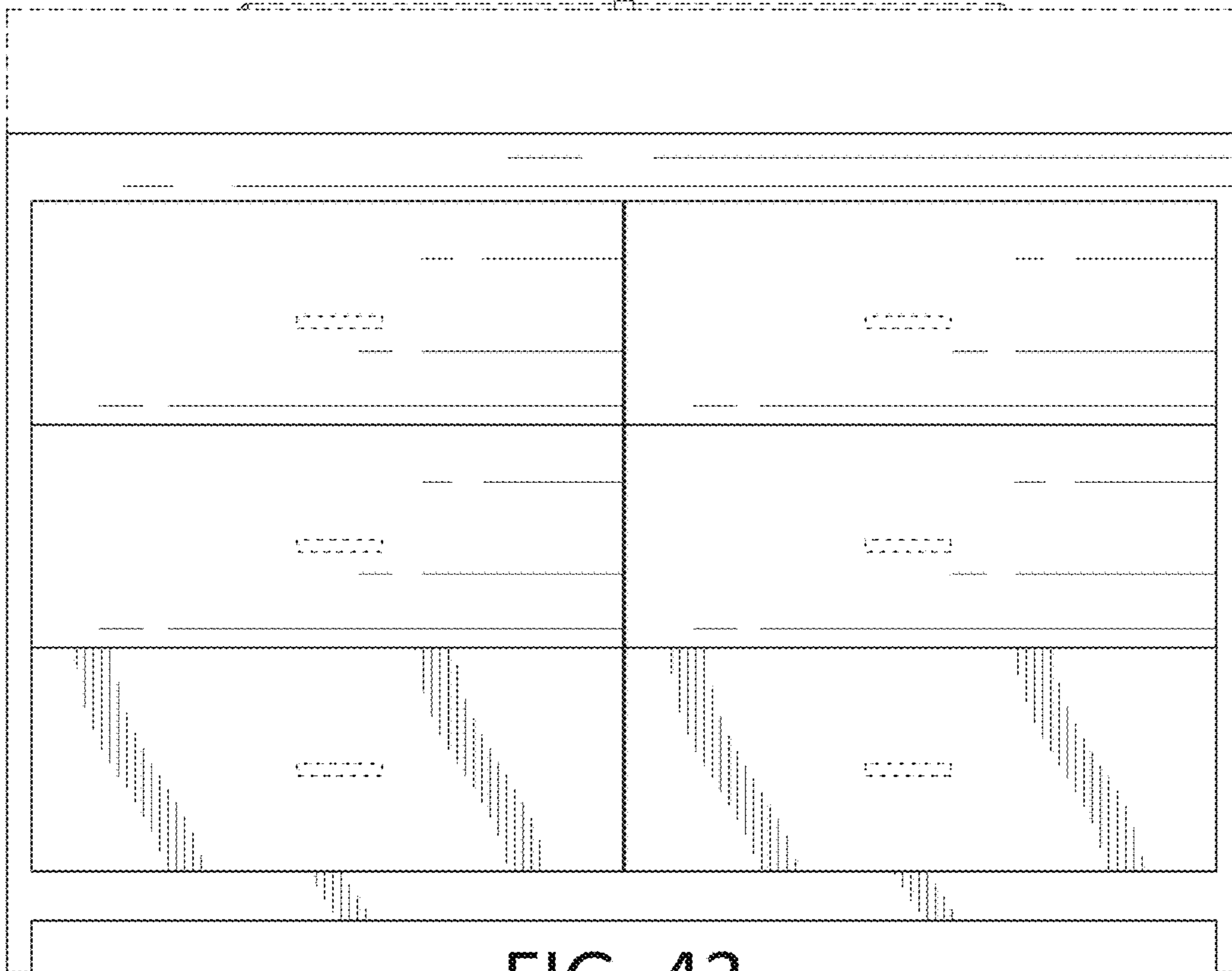


FIG. 43

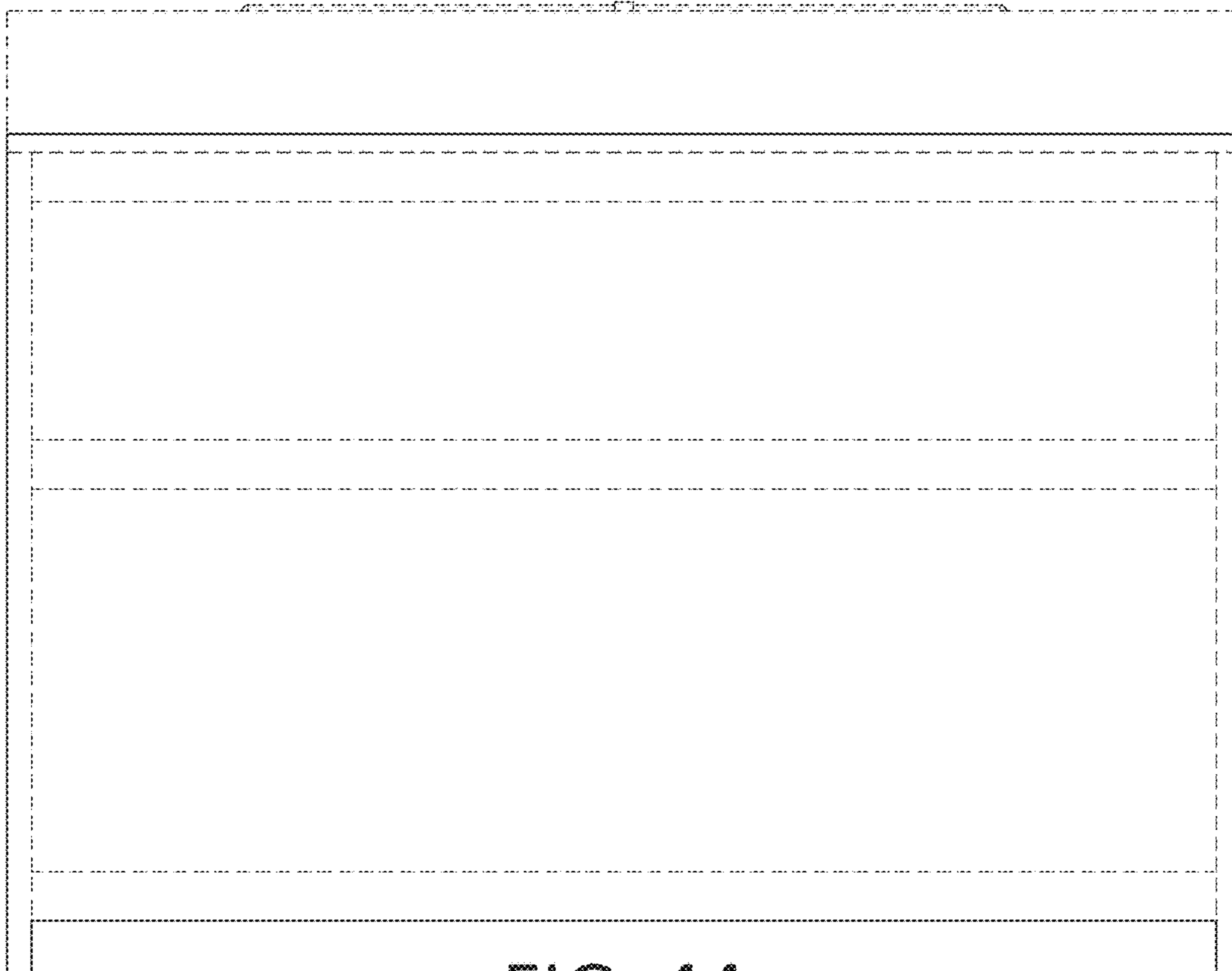


FIG. 44

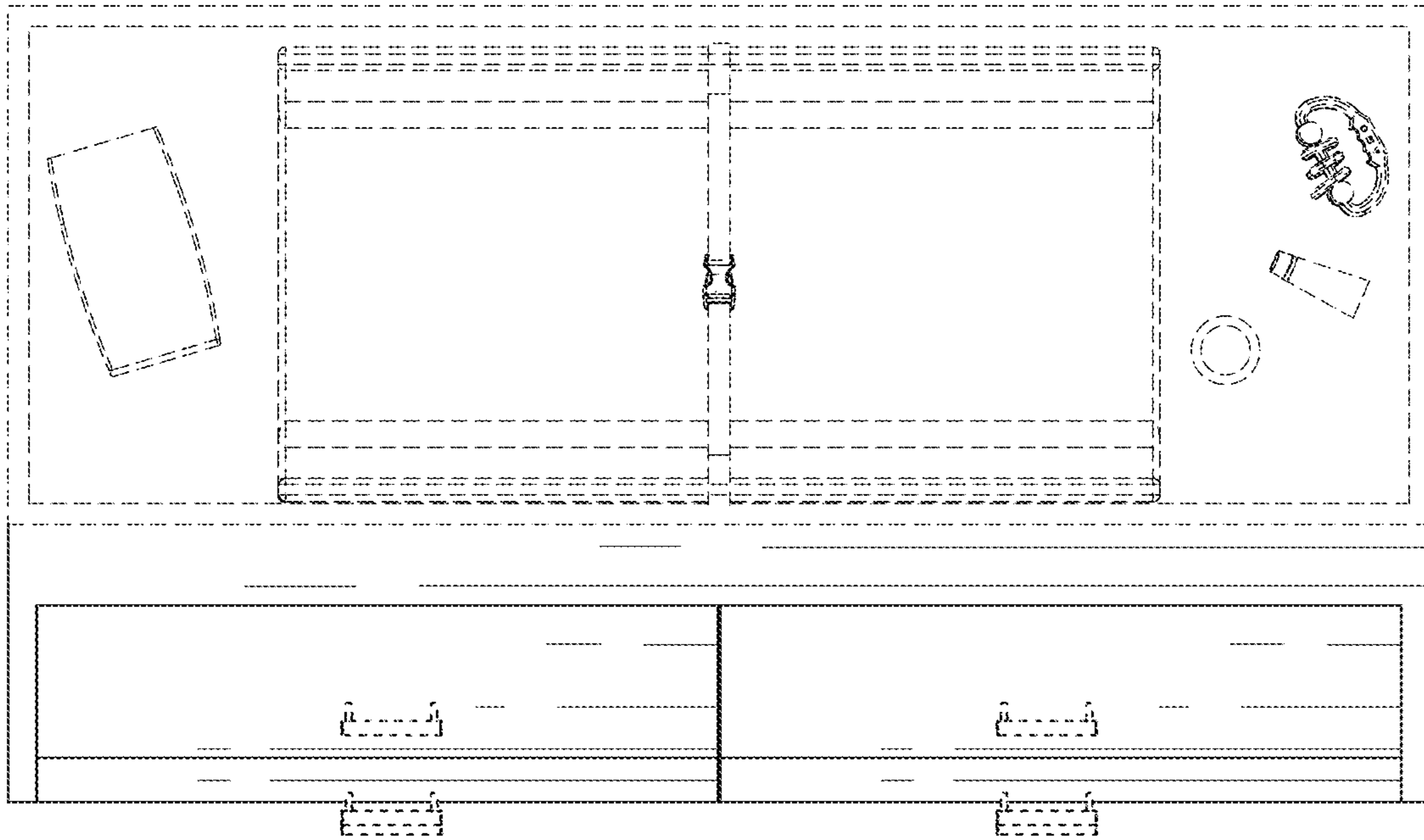


FIG. 45

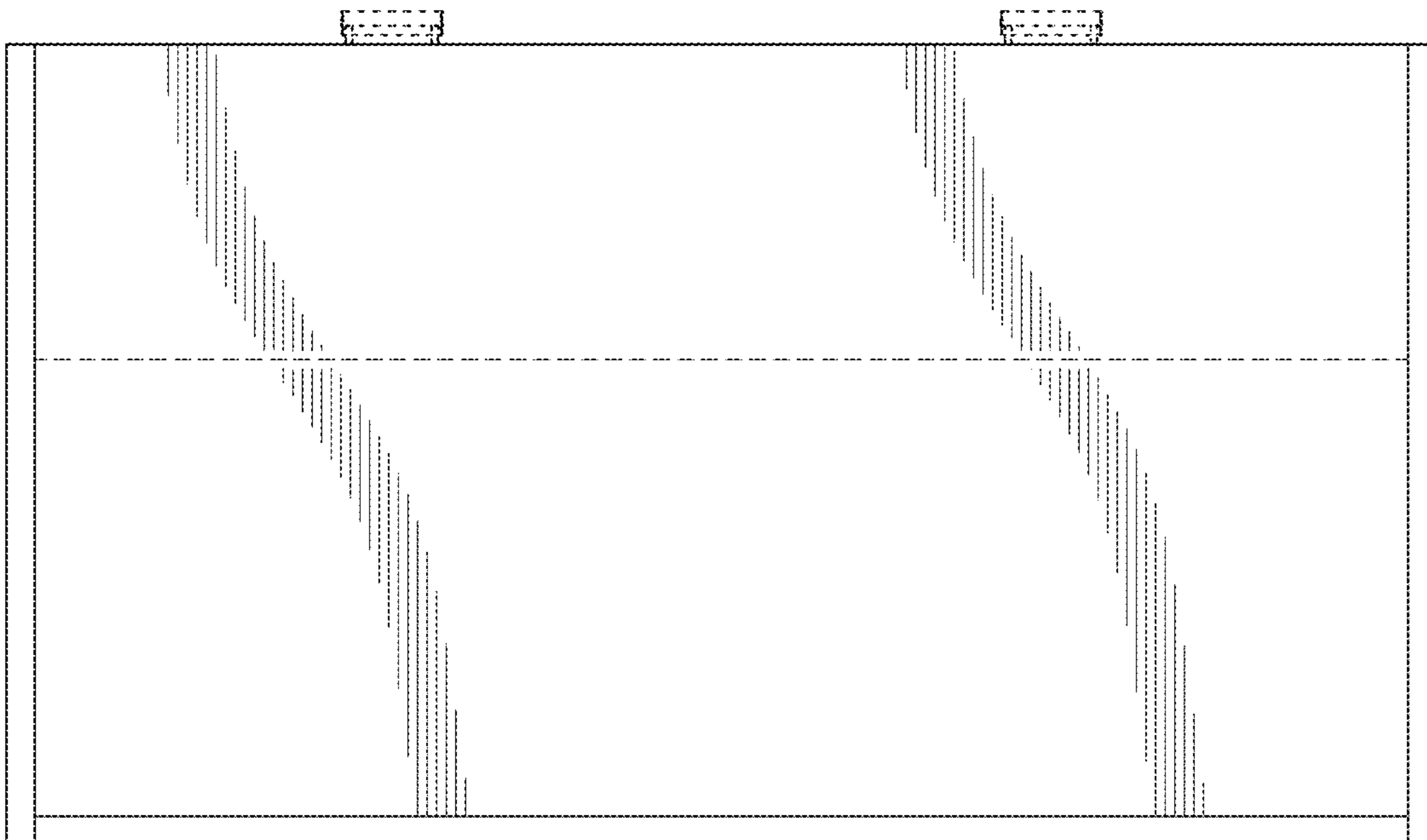


FIG. 46

FIG. 47

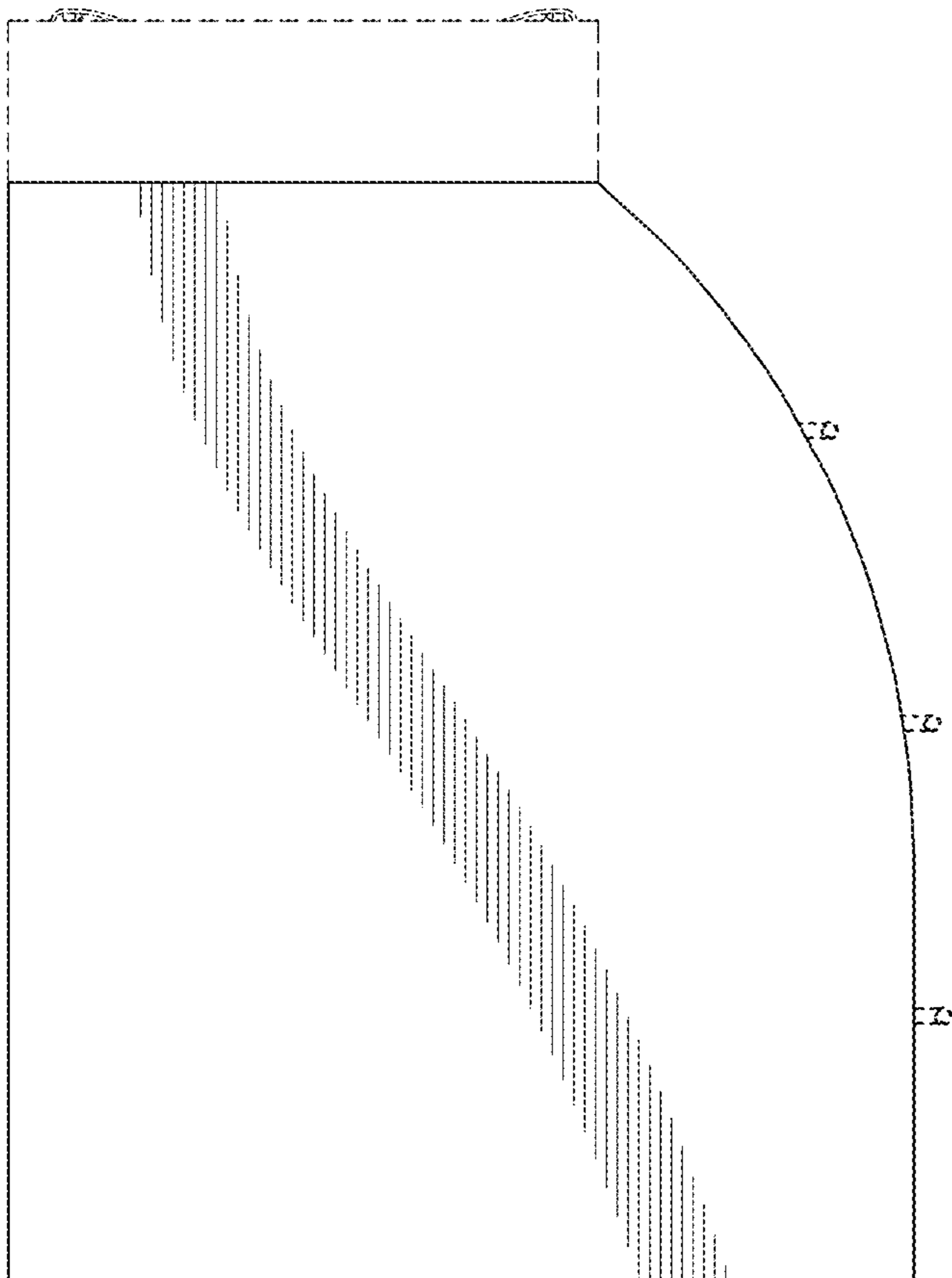
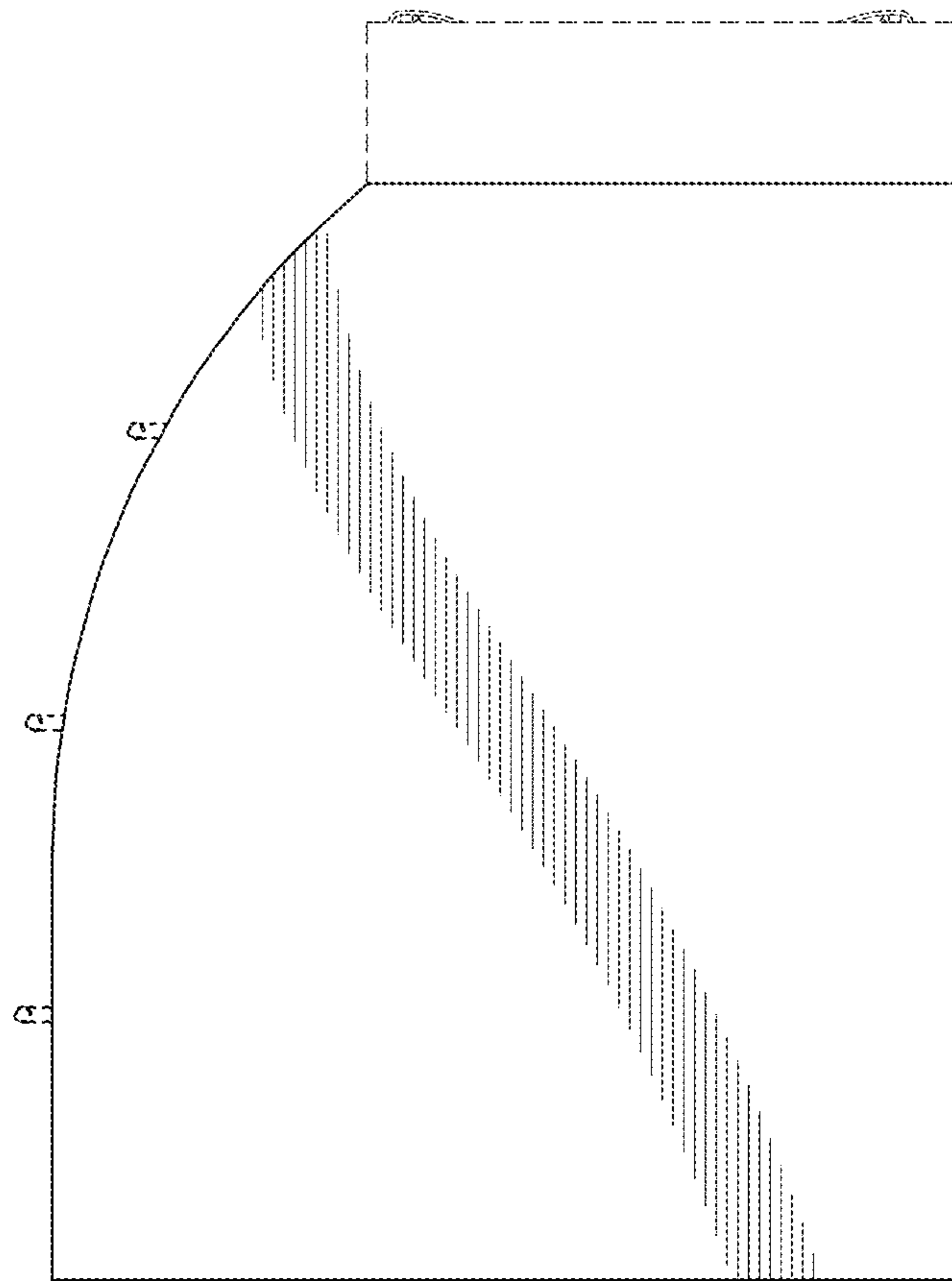


FIG. 48