



(12) **United States Design Patent** (10) **Patent No.:** **US D927,227 S**  
**Tajima et al.** (45) **Date of Patent:** **\*\* Aug. 10, 2021**

(54) **MATTRESS**  
 (71) Applicant: **NISHIKAWA Co., Ltd.**, Tokyo (JP)  
 (72) Inventors: **Ko Tajima**, Tokyo (JP); **Yoji Shimura**, Tokyo (JP); **Akihiko Kawasaka**, Tokyo (JP)

5,992,106 A \* 11/1999 Carling ..... E01C 5/20  
 52/177  
 D439,098 S \* 3/2001 Matsler ..... D6/595  
 6,647,569 B1 \* 11/2003 Tansek ..... A47C 17/64  
 5/186.1

(Continued)

**FOREIGN PATENT DOCUMENTS**

(73) Assignee: **NISHIKAWA Co., Ltd.**, Tokyo (JP)  
 (\*\*) Term: **15 Years**

JP D1625329 S 2/2019  
 TW D130569 S 9/2009  
 TW 201600051 A 1/2016

**OTHER PUBLICATIONS**

(21) Appl. No.: **35/509,293**  
 (22) Filed: **Oct. 15, 2019**

Notice of Allowance dated Apr. 15, 2021 from the US Trademark & Patent Office in U.S. Appl. No. 35/509,104.

(80) **Hague Agreement Data**  
 Int. Filing Date: **Oct. 15, 2019**  
 Int. Reg. No.: **DM/207629**  
 Int. Reg. Date: **Oct. 15, 2019**  
 Int. Reg. Pub. Date: **May 8, 2020**

*Primary Examiner* — Mary Ann Calabrese  
 (74) *Attorney, Agent, or Firm* — Sughrue Mion, PLLC

(57) **CLAIM**

The ornamental design for a mattress, as shown and described.

(30) **Foreign Application Priority Data**

**DESCRIPTION**

Apr. 26, 2019 (JP) ..... 2019-009609  
 (51) **LOC (13) Cl.** ..... **06-09**  
 (52) **U.S. Cl.**  
 USPC ..... **D6/605**  
 (58) **Field of Classification Search**  
 USPC ..... D6/695–601, 604–606; D24/183  
 CPC ..... A47C 17/00; A47C 17/64; A47C 23/00;  
 A47C 23/047; A47C 27/00; A47C  
 27/001; A47C 27/05; A47C 27/08; A47C  
 27/081; A47C 27/14; A47C 27/15  
 See application file for complete search history.

- 1. Mattress
- 1.1 : Bottom perspective view
- 1.2 : Front
- 1.3 : Back
- 1.4 : Top
- 1.5 : Bottom
- 1.6 : Left
- 1.7 : Right
- 1.8 : Partial enlarged bottom view
- 1.9 : Sectional view
- 1.10 : Sectional view

The even dash broken lines show portions of the mattress that form no part of the claimed design. The long-dash, short-dash broken lines represent the boundaries of the claim and form no part thereof.

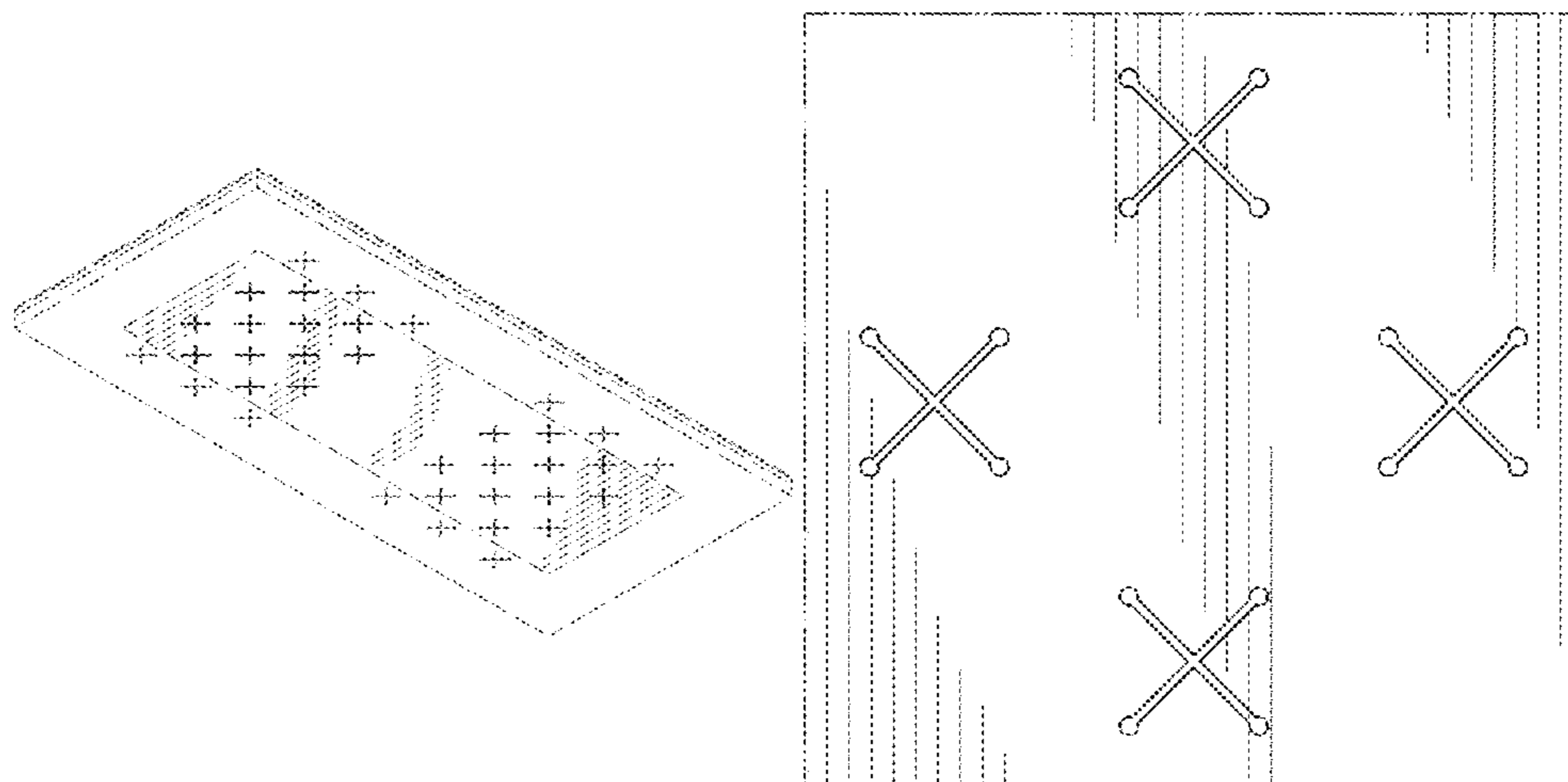
Reproduction 1.9 is an enlarged cross-sectional view taken along the center of reproduction 1.8. Reproduction 1.10 is an

(Continued)

(56) **References Cited**

**U.S. PATENT DOCUMENTS**

D380,921 S 7/1997 Ruscitti  
 D392,497 S \* 3/1998 Mansfield ..... D6/603



enlarged cross-sectional view a little bit above the center of reproduction 1.8 at the claimed four circular holes.

**1 Claim, 10 Drawing Sheets**

(56)

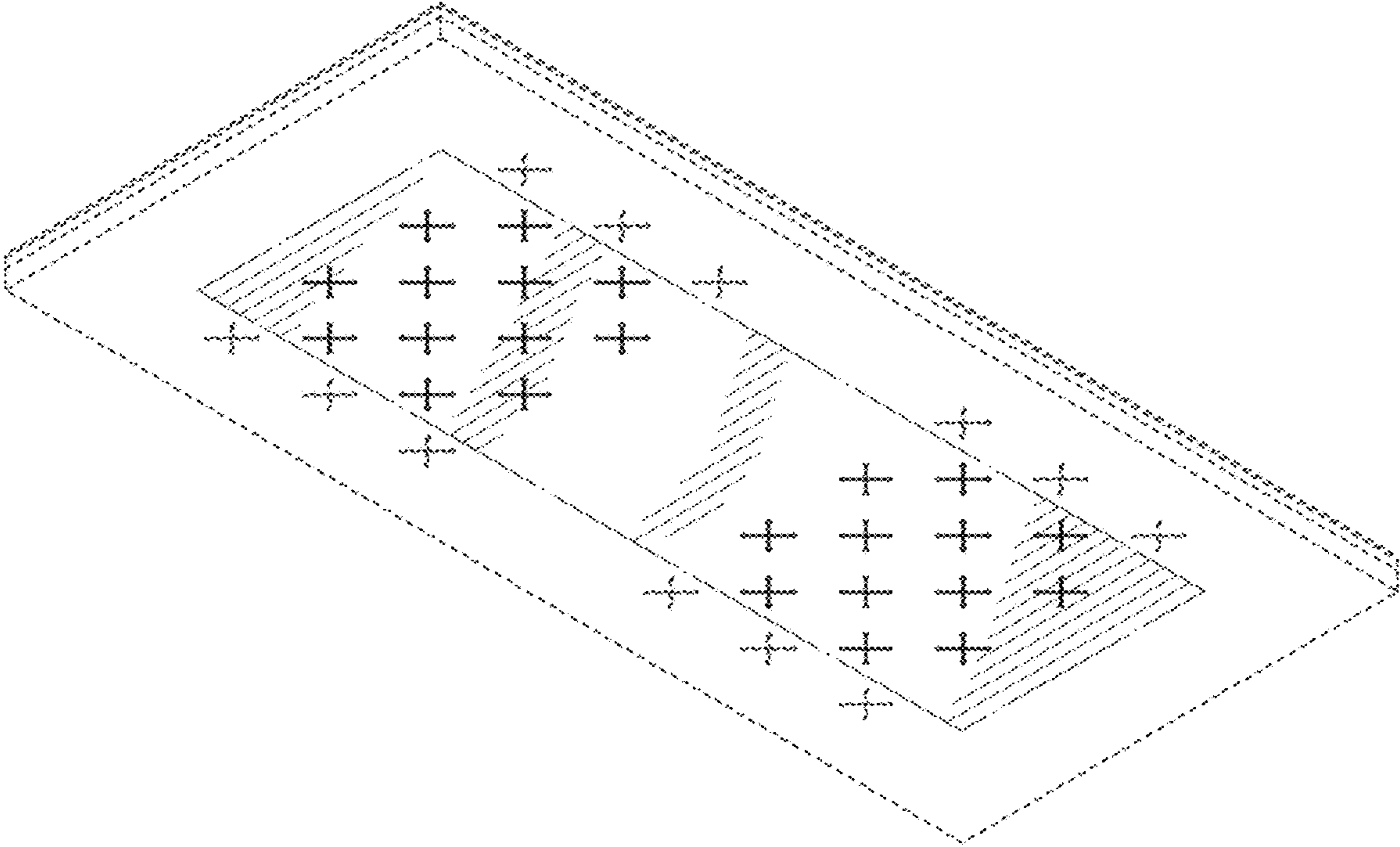
**References Cited**

U.S. PATENT DOCUMENTS

D509,980 S	9/2005	Martin et al.	
D620,740 S *	8/2010	Black .....	D6/603
D667,671 S	9/2012	Rinehart	
D719,764 S *	12/2014	Enders .....	D6/606
D724,352 S	3/2015	Malkiewicz et al.	
D787,862 S *	5/2017	Szpyt .....	A47C 17/64 D6/606
D830,728 S *	10/2018	Maxfield .....	E01C 5/20 D6/595
D840,175 S	2/2019	Martin et al.	
D846,310 S	4/2019	Klobuchar	
D901,025 S	11/2020	Trenkle et al.	

\* cited by examiner

1.1



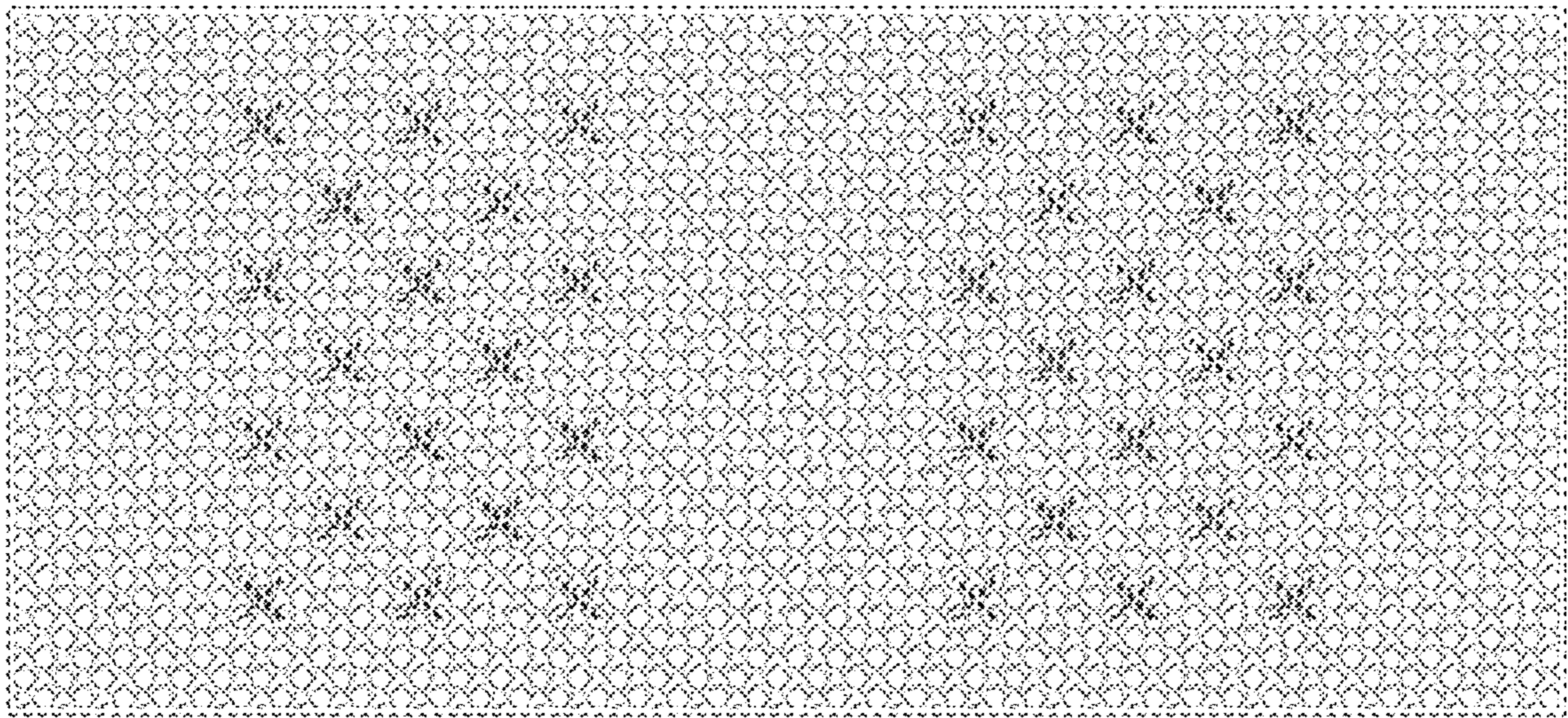
**1.2**



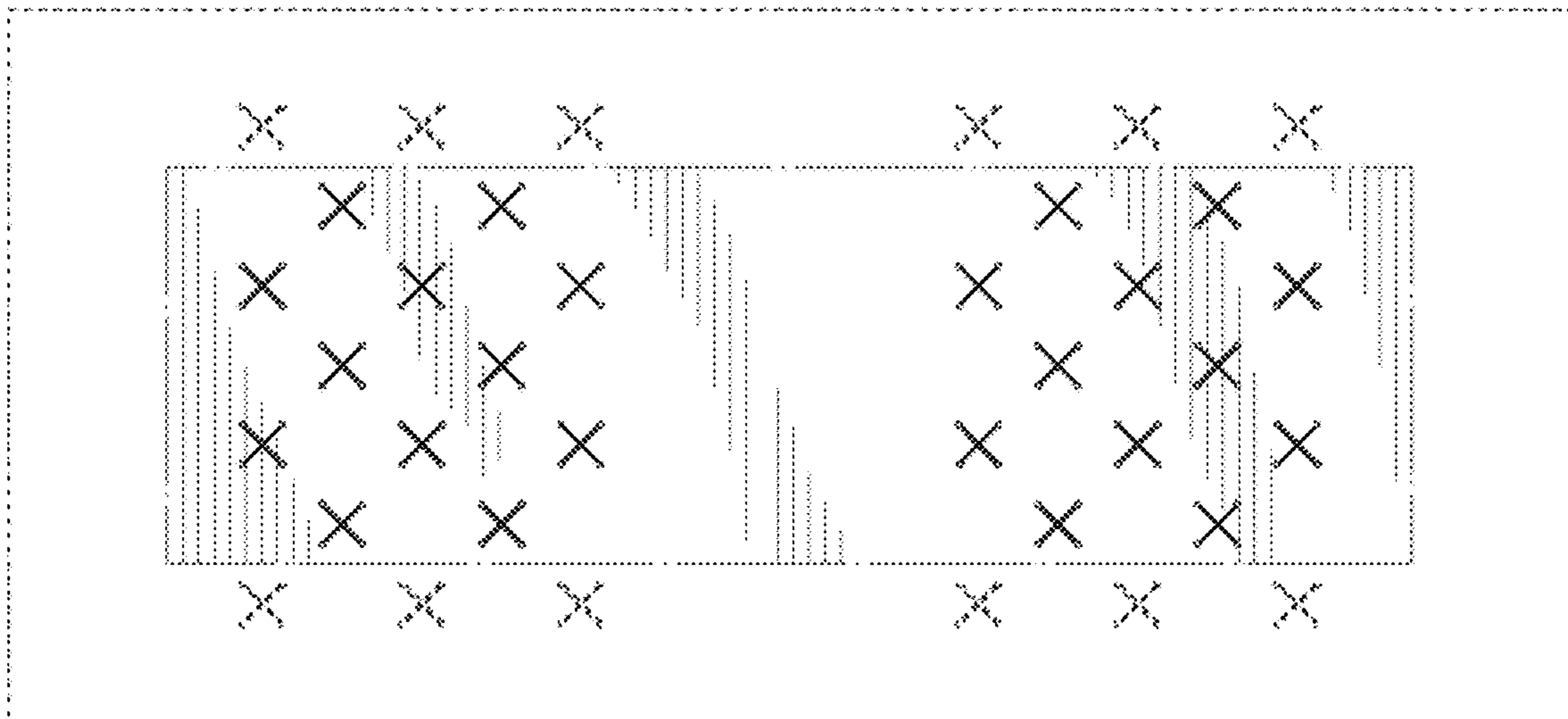
**1.3**



1.4



1.5



**1.6**

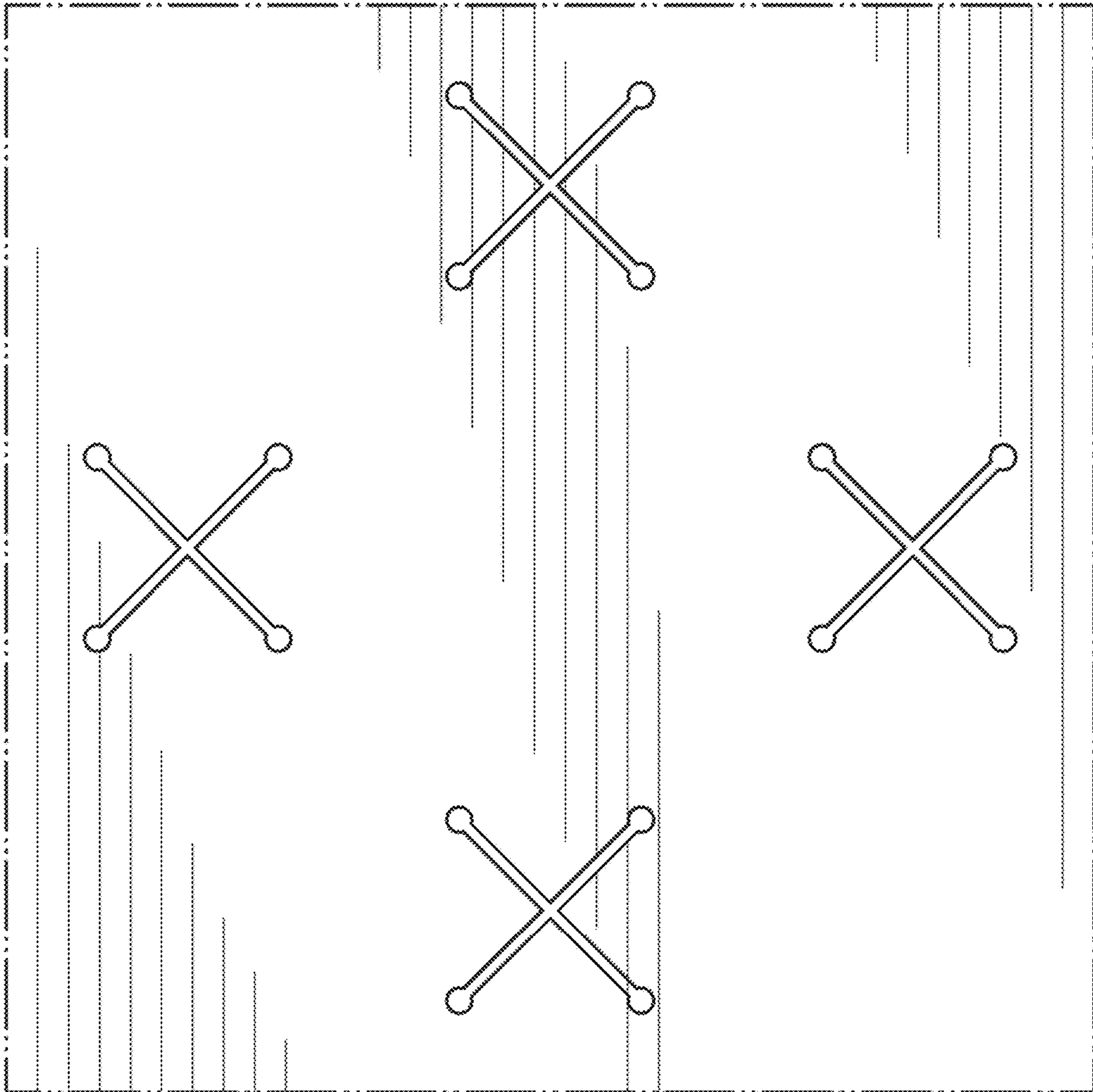




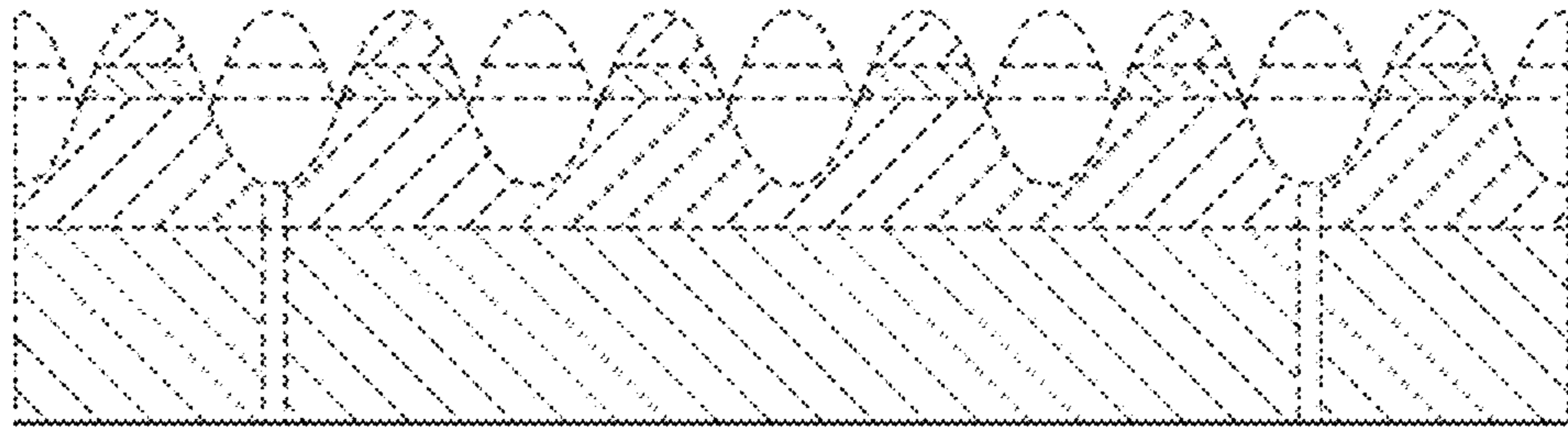
**1.7**



1.8



1.9



1.10

