



US00D927221S

(12) **United States Design Patent**
Tang

(10) **Patent No.:** **US D927,221 S**

(45) **Date of Patent:** **** Aug. 10, 2021**

(54) **IRON FRAME**

(71) Applicant: **Zhaoshi Tang**, Huazhou (CN)

(72) Inventor: **Zhaoshi Tang**, Huazhou (CN)

(**) Term: **15 Years**

(21) Appl. No.: **29/775,514**

(22) Filed: **Mar. 24, 2021**

(51) **LOC (13) Cl.** **06-04**

(52) **U.S. Cl.**
USPC **D6/566**

(58) **Field of Classification Search**
USPC D6/513, 511, 514, 524, 525, 536, 540,
D6/566, 570, 562, 574; D19/90;
211/13.1, 70.6, 70.7, 71.01, 74, 75, 86.01,
211/88.01, 90.01, 90.03, 106, 119, 126.1,
211/133.5, 134, 181.1; 248/302;
D3/315; D7/601, 637
CPC A47K 17/00; A47K 3/281; A47K 3/001;
B23P 17/04; A47B 57/265; A47B 57/565;
A47B 57/26

See application file for complete search history.

(56) **References Cited**

U.S. PATENT DOCUMENTS

D773,219 S 12/2016 Clouse et al.
D784,721 S * 4/2017 Goodman D6/525

D784,745 S 4/2017 Nilsson et al.
D812,396 S * 3/2018 Wilson D6/566
D875,448 S 2/2020 Reinhart et al.
D878,098 S * 3/2020 Goodman D6/566
D880,896 S * 4/2020 Wilson D6/566
D890,548 S * 7/2020 Cai D6/574
D893,216 S * 8/2020 Goodman D6/566
D917,203 S * 4/2021 Goodman D6/566

* cited by examiner

Primary Examiner — Wan Laymon
Assistant Examiner — Mark Booker

(57) **CLAIM**

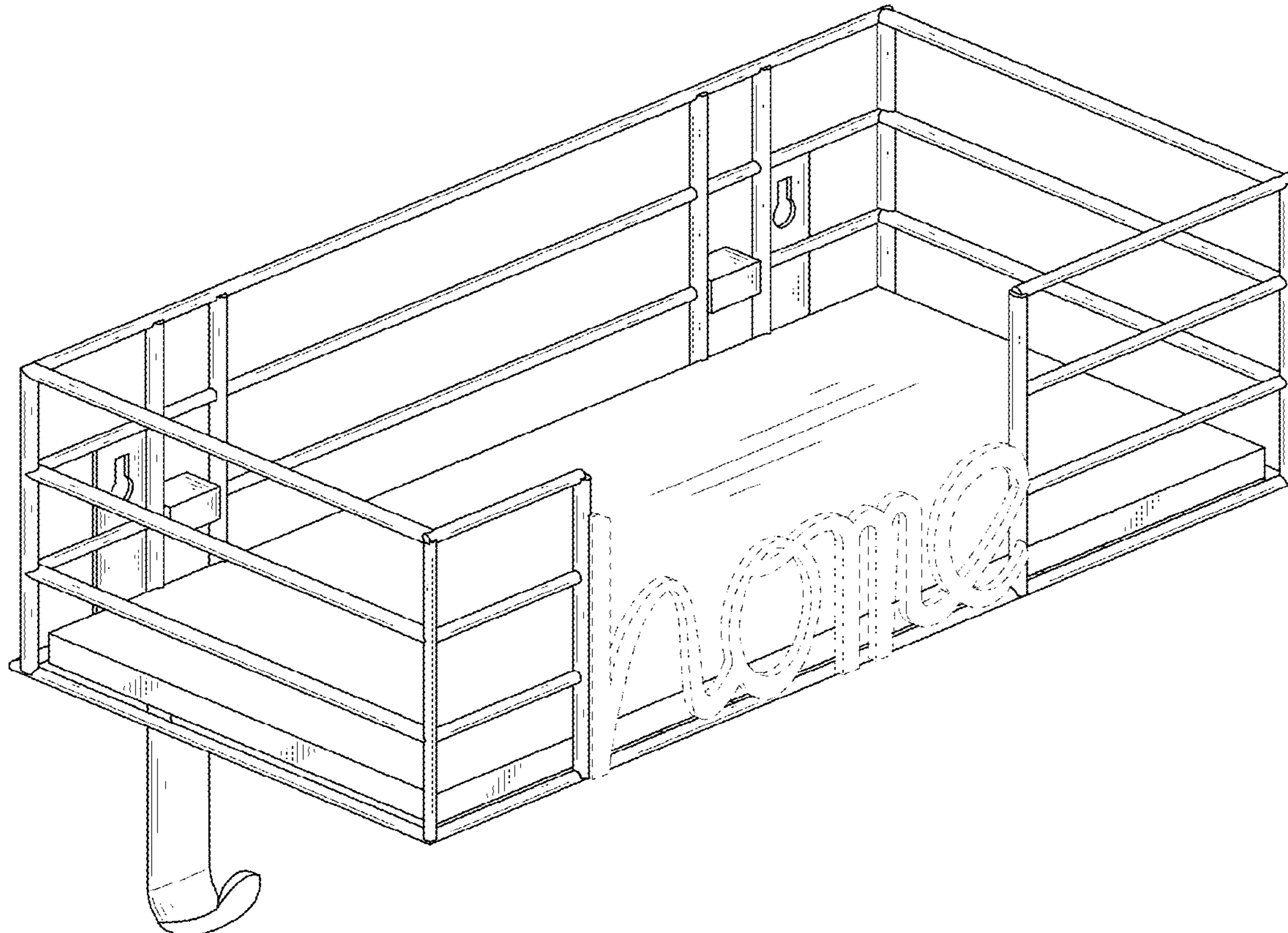
The ornamental design for an iron frame, as shown and described.

DESCRIPTION

FIG. 1 is a first perspective view of an iron frame showing my design;
FIG. 2 is a second perspective view thereof;
FIG. 3 is a front view thereof;
FIG. 4 is a back view thereof;
FIG. 5 is a left side view thereof;
FIG. 6 is a right side view thereof;
FIG. 7 is a top view thereof; and,
FIG. 8 is a bottom view thereof.

The broken lines shown in the drawings depict portions of the iron frame in which the design is embodied that form no part of the claimed design.

1 Claim, 8 Drawing Sheets



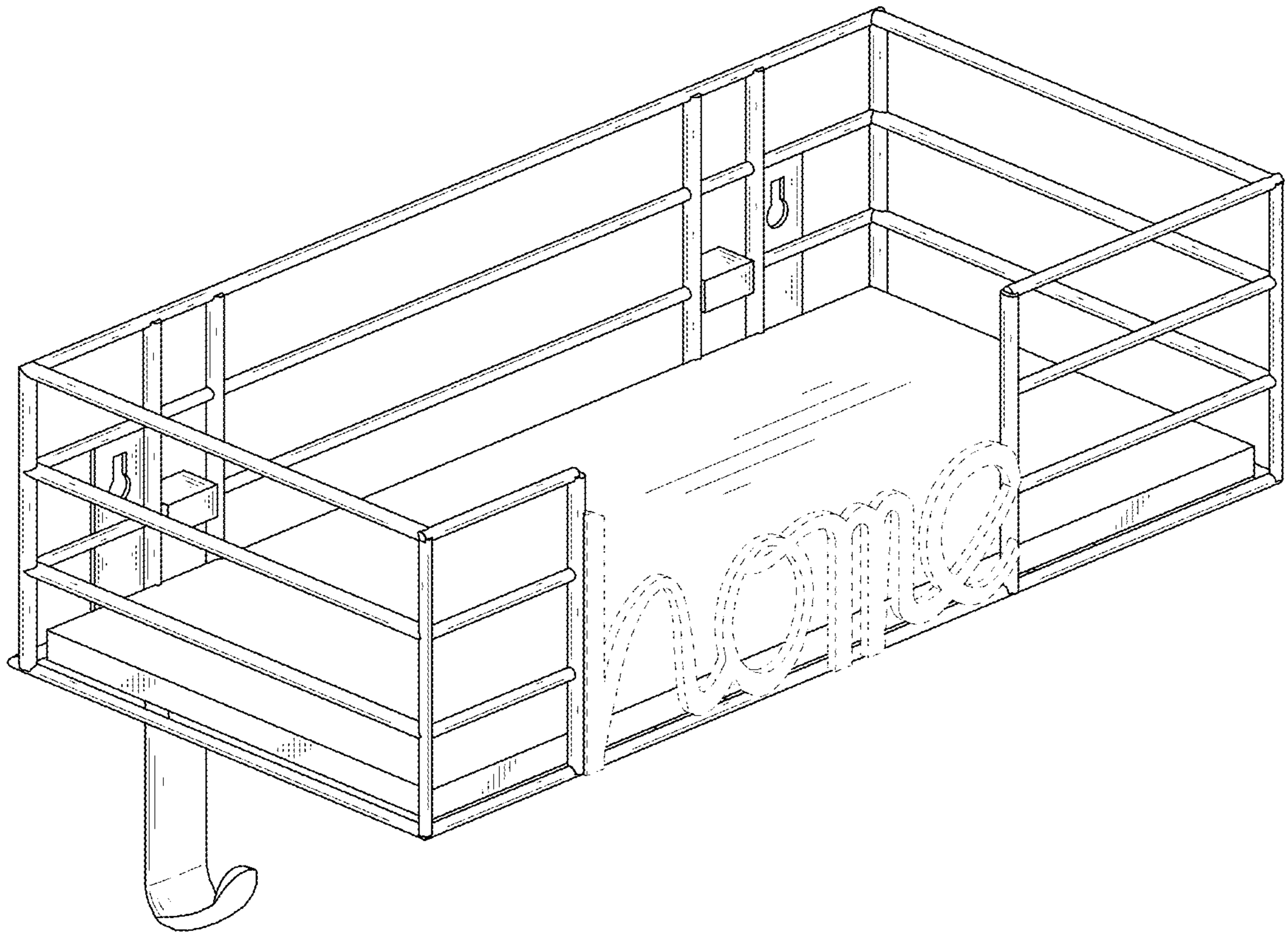


FIG. 1

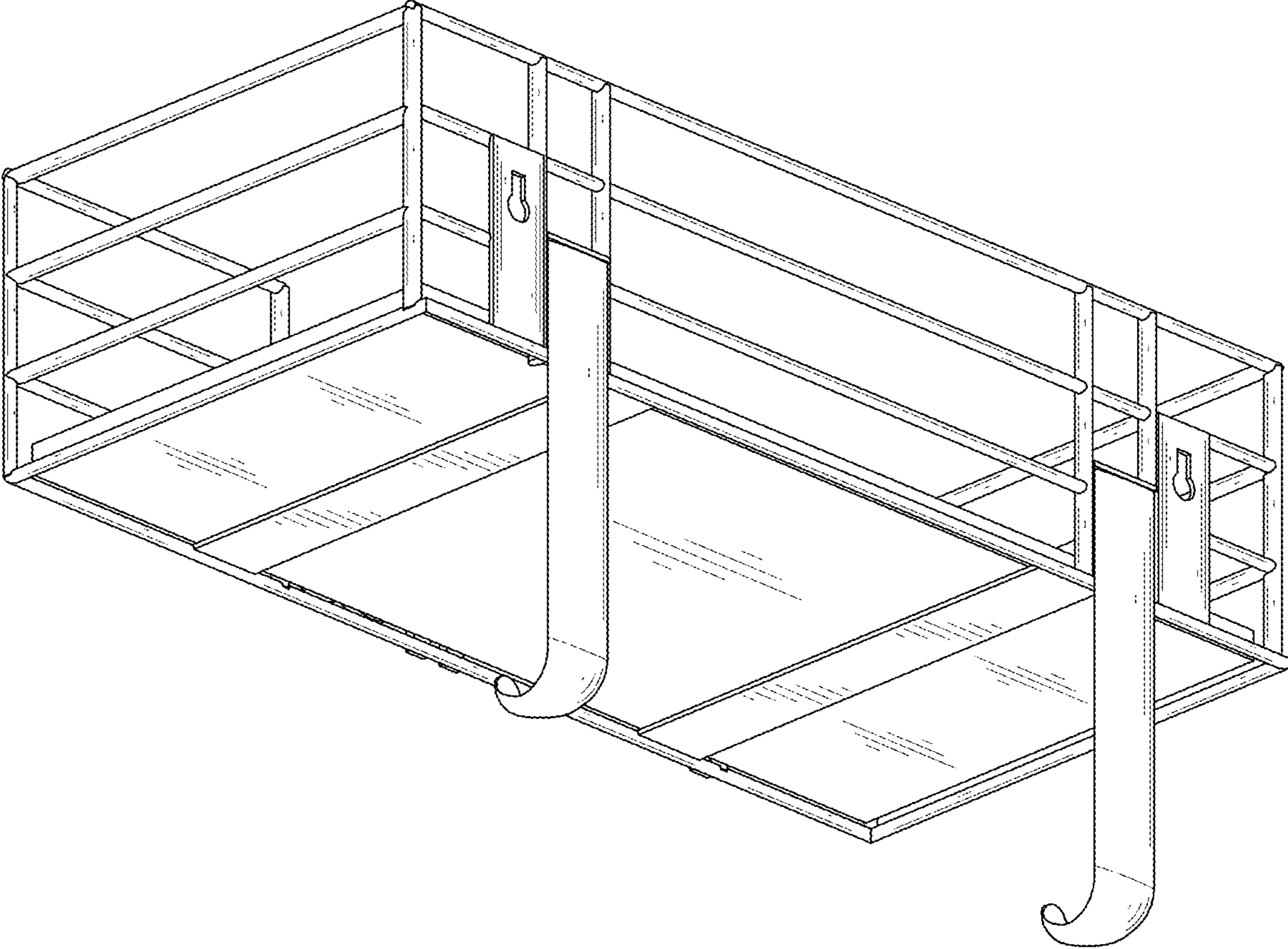


FIG. 2

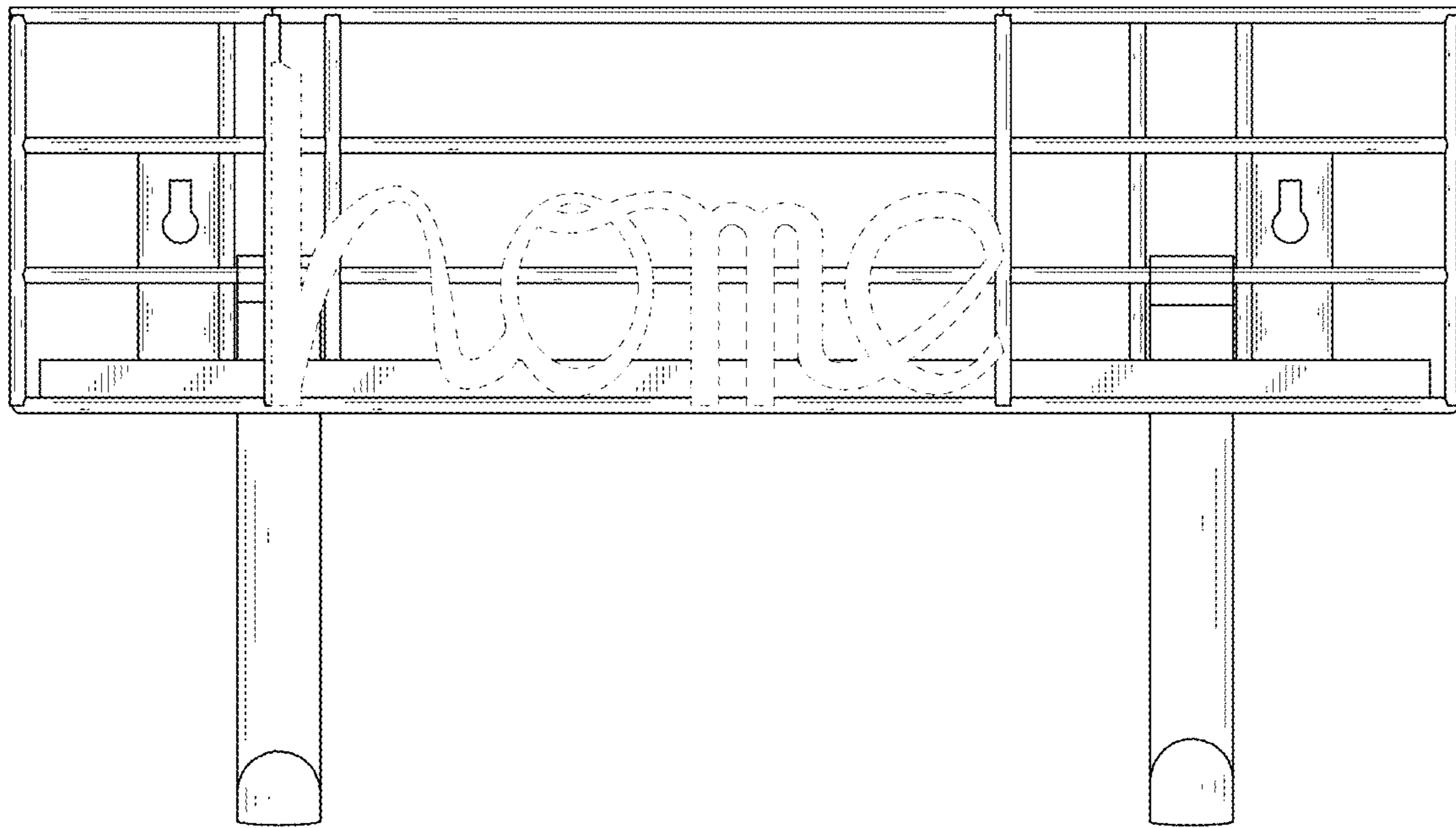


FIG. 3

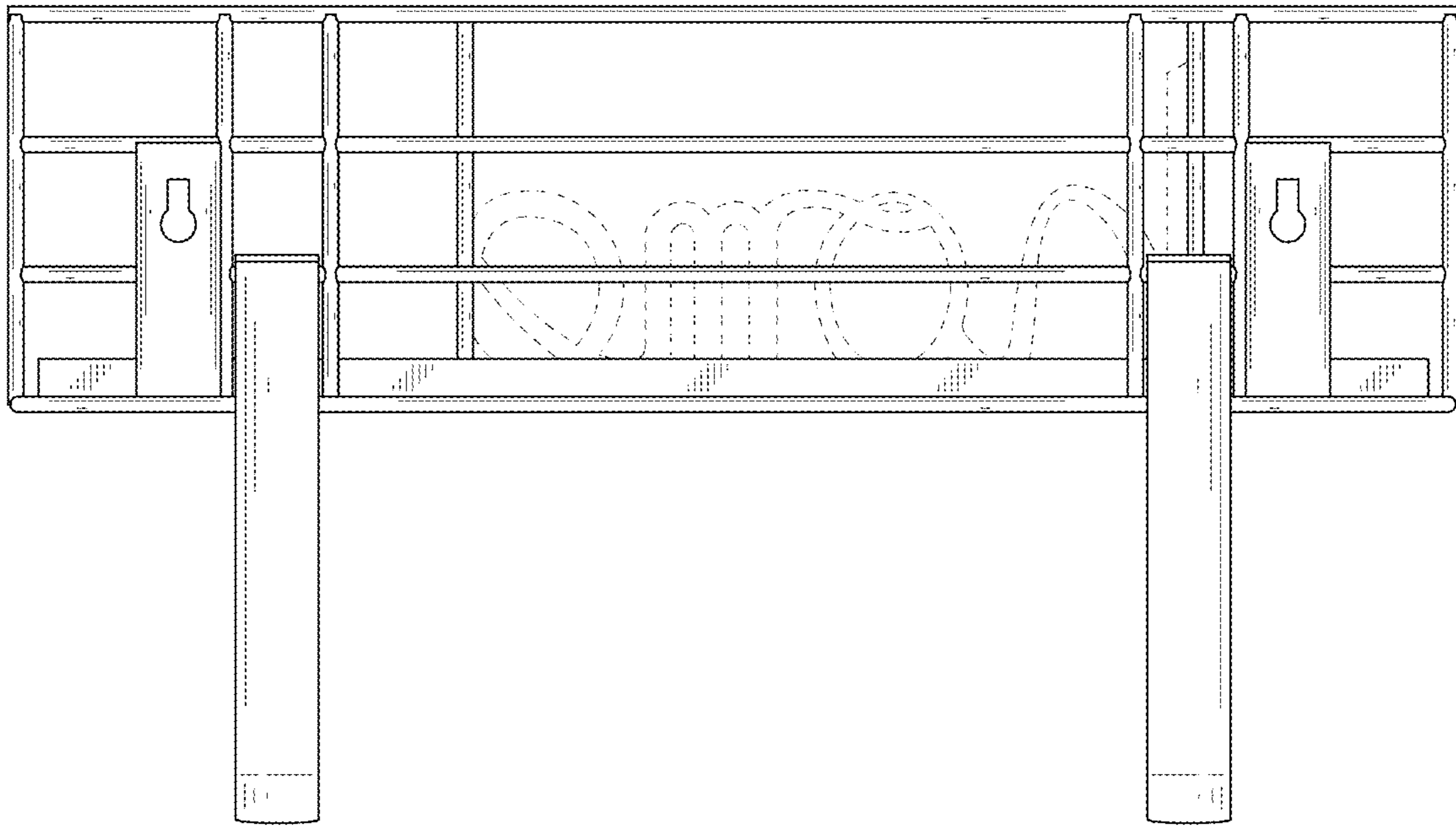


FIG. 4

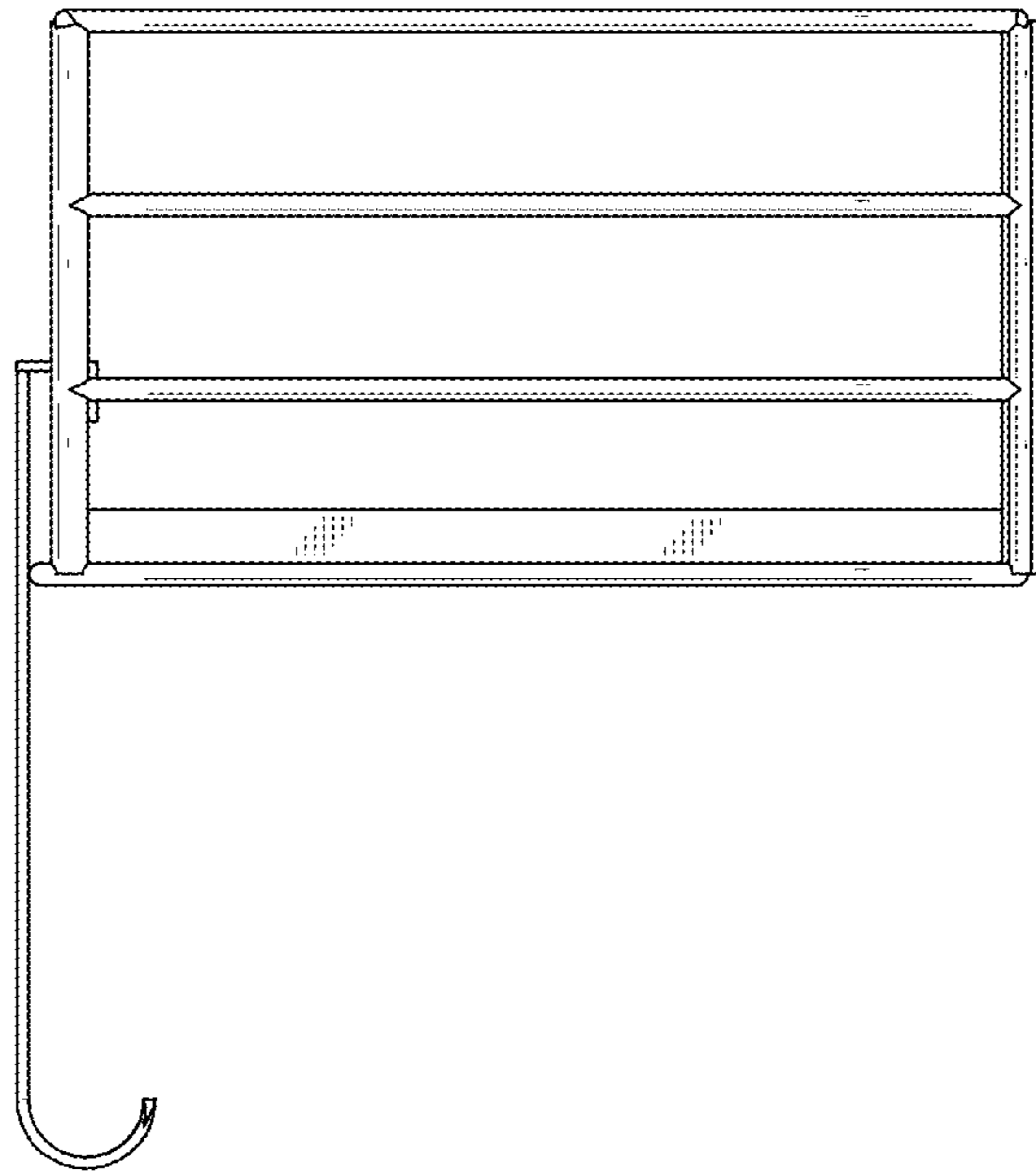


FIG. 5

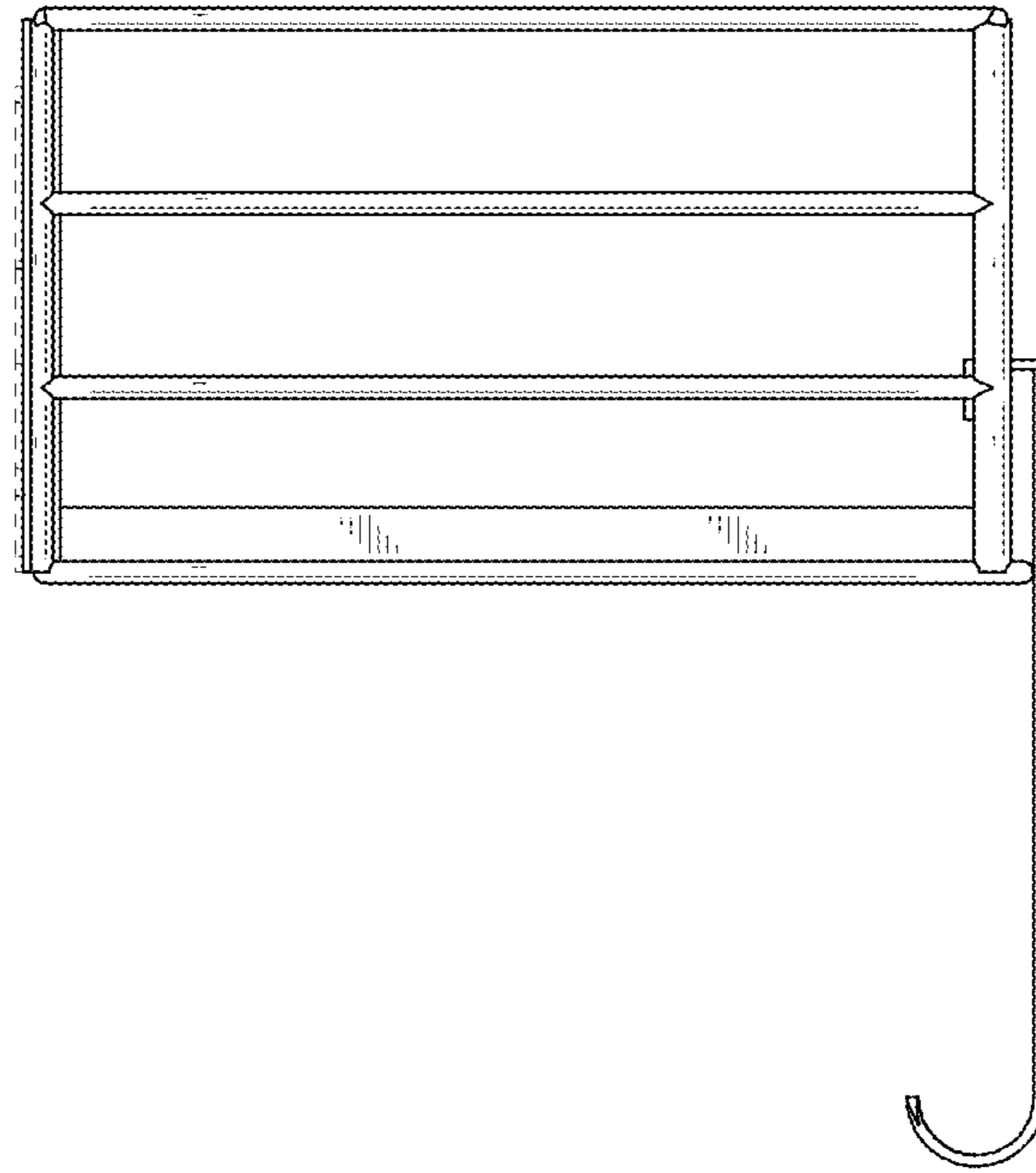


FIG. 6

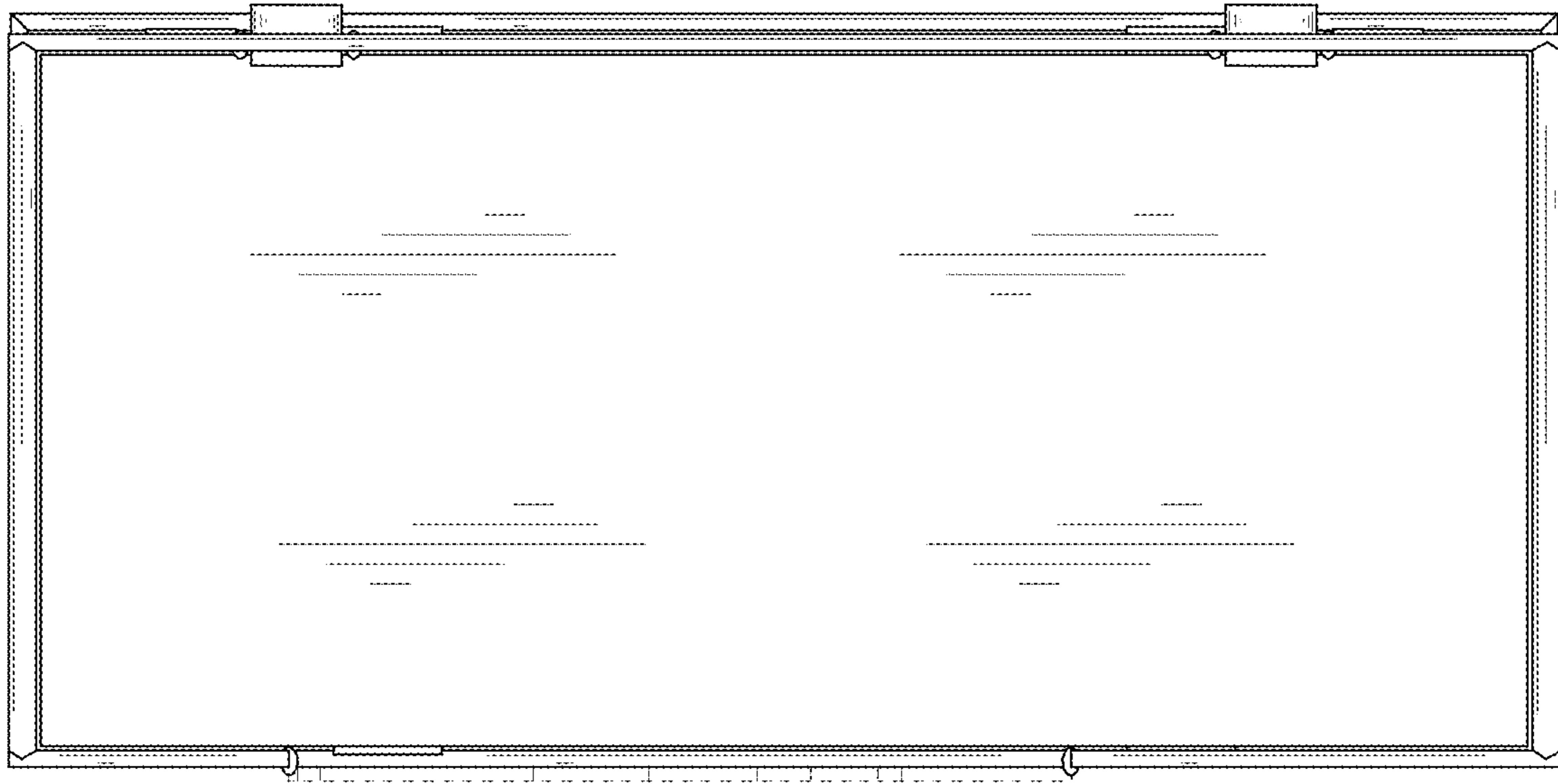


FIG. 7

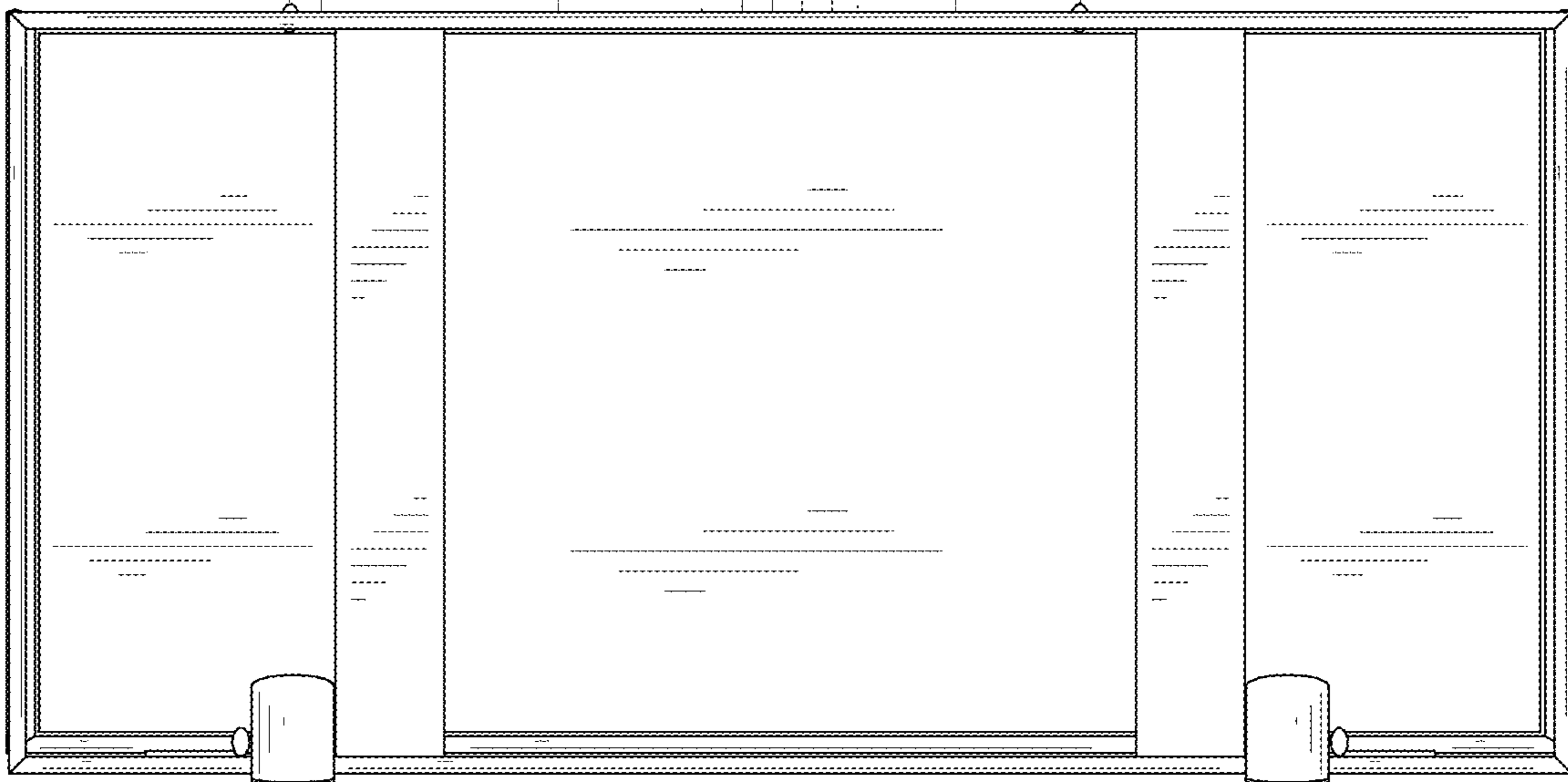


FIG. 8