



US00D927220S

(12) **United States Design Patent** (10) **Patent No.:** **US D927,220 S**  
**Lin** (45) **Date of Patent:** **\*\* Aug. 10, 2021**

(54) **TOILET BRUSH WITH HOLDER SET**

(71) Applicant: **Limei Lin**, Nanping (CN)

(72) Inventor: **Limei Lin**, Nanping (CN)

(\*\*) Term: **15 Years**

(21) Appl. No.: **29/747,782**

(22) Filed: **Aug. 25, 2020**

(51) **LOC (13) Cl.** ..... **04-01**

(52) **U.S. Cl.**  
USPC ..... **D6/551; D4/116**

(58) **Field of Classification Search**  
USPC ..... D6/551, 525; D8/80, 83, 94, 107, 300;  
206/207, 349, 361; D32/40, 42, 46, 49,  
(Continued)

(56) **References Cited**

U.S. PATENT DOCUMENTS

D290,798 S \* 7/1987 Zuliani ..... D4/116  
D315,989 S \* 4/1991 Levien ..... D32/40  
(Continued)

*Primary Examiner* — Nathan M Johnston

(74) *Attorney, Agent, or Firm* — ScienBiziP, P.C.

(57) **CLAIM**

The ornamental design for a toilet brush with holder set, as shown and described.

**DESCRIPTION**

FIG. 1 is a front perspective view of a toilet brush with holder set, showing my design.  
FIG. 2 is a front elevation view of the toilet brush with holder set of FIG. 1.

FIG. 3 is a rear elevation view of the toilet brush with holder set of FIG. 1.

FIG. 4 is a right side elevation view of the toilet brush with holder set of FIG. 1.

FIG. 5 is a left side elevation view of the toilet brush with holder set of FIG. 1.

FIG. 6 is a top plan view of the toilet brush with holder set of FIG. 1.

FIG. 7 is a bottom plan view of the toilet brush with holder set of FIG. 1.

FIG. 8 is a perspective view of the toilet brush with holder set of FIG. 1 wherein a brush of the toilet brush with holder set is out of a brush holder of the toilet brush with holder set shown separately for ease of illustration.

FIG. 9 is a front perspective view of the brush of the toilet brush with holder set of FIG. 8.

FIG. 10 is a front elevation view of the brush of FIG. 9.

FIG. 11 is a rear elevation view of the brush of FIG. 9.

FIG. 12 is a left side elevation view of the brush of FIG. 9.

FIG. 13 is a right side elevation view of the brush of FIG. 9.

FIG. 14 is a top plan view of the brush of FIG. 9.

FIG. 15 is a bottom plan view of the brush of FIG. 9.

FIG. 16 is a top perspective view of the brush holder of the toilet brush with holder set of FIG. 9 shown separately for ease of illustration.

FIG. 17 is a front elevation view of the brush holder of FIG. 16.

FIG. 18 is a rear elevation view of the brush holder of FIG. 16.

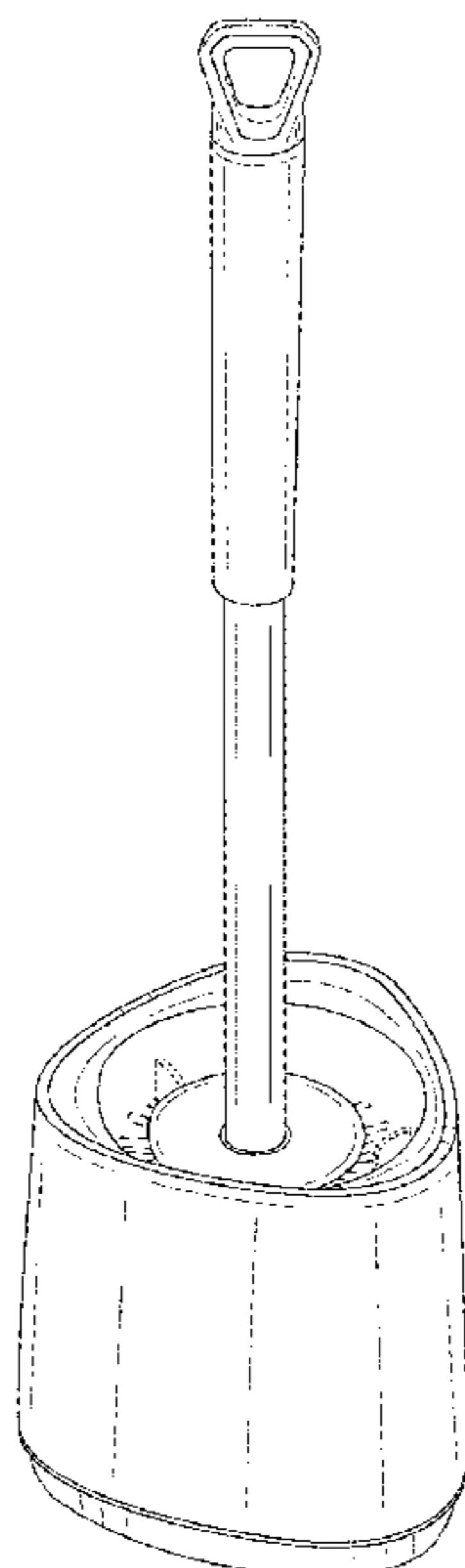
FIG. 19 is a right side elevation view of the brush holder of FIG. 16.

FIG. 20 is a left side elevation view of the brush holder of FIG. 16.

FIG. 21 is a top plan view of the brush holder of FIG. 16; and,

FIG. 22 is a bottom plan view of the brush holder of FIG. 16. The broken lines show portions of the design that form no part of the claimed design.

**1 Claim, 22 Drawing Sheets**



(58) **Field of Classification Search**

USPC ..... D32/51, 52; D7/541, 555, 615; 312/206,  
312/207; D4/100, 102, 114, 117, 118,  
D4/121, 130-136, 138, 116; 4/255.05,  
4/255.11; 15/21.1, 143.1, 145, 159.1,  
15/160, 186-188; 132/120, 142, 313  
CPC ..... A47K 17/00; A47K 11/10; A47K 3/001;  
B65D 47/40; A46B 2200/304; A46B  
17/02; A46B 17/06

See application file for complete search history.

(56) **References Cited**

U.S. PATENT DOCUMENTS

D329,775 S \* 9/1992 Murphy ..... D6/551  
5,484,065 A \* 1/1996 Davoli, Jr. .... A47K 1/09  
211/2  
5,772,015 A \* 6/1998 Musiel ..... A47K 11/10  
206/1.5  
D404,951 S \* 2/1999 Zawalsky ..... D6/551  
6,038,709 A \* 3/2000 Kent ..... A47K 11/10  
15/160  
D525,064 S \* 7/2006 Williams ..... D6/524  
D551,480 S \* 9/2007 Dretzka ..... D6/551  
D805,807 S 12/2017 Li  
D817,004 S \* 5/2018 Appelbaum ..... D4/114  
D840,714 S 2/2019 Vosbikian et al.  
D880,868 S \* 4/2020 Zhao ..... D4/100  
D905,966 S \* 12/2020 Wen ..... D4/116  
2020/0163447 A1 \* 5/2020 Spitaletta ..... A47K 17/00

\* cited by examiner

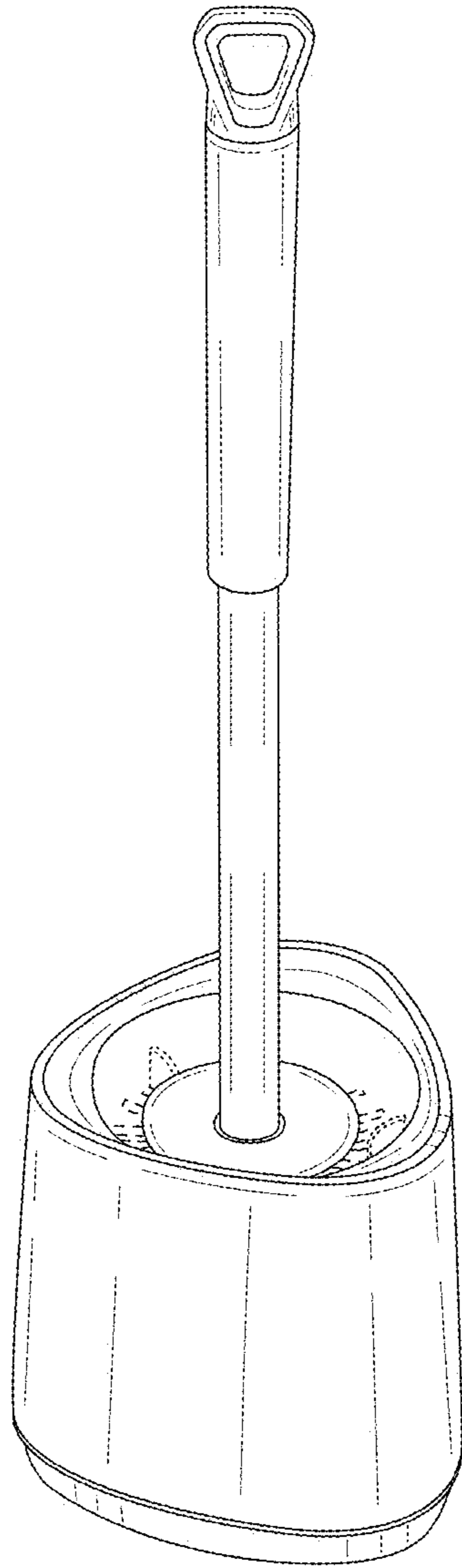


FIG. 1

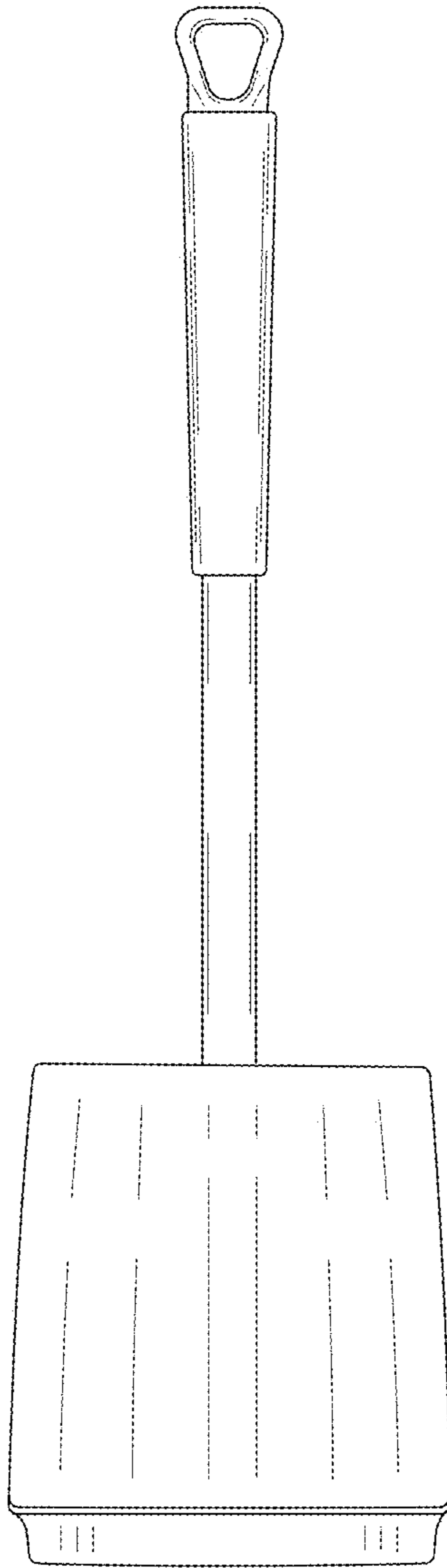


FIG.2

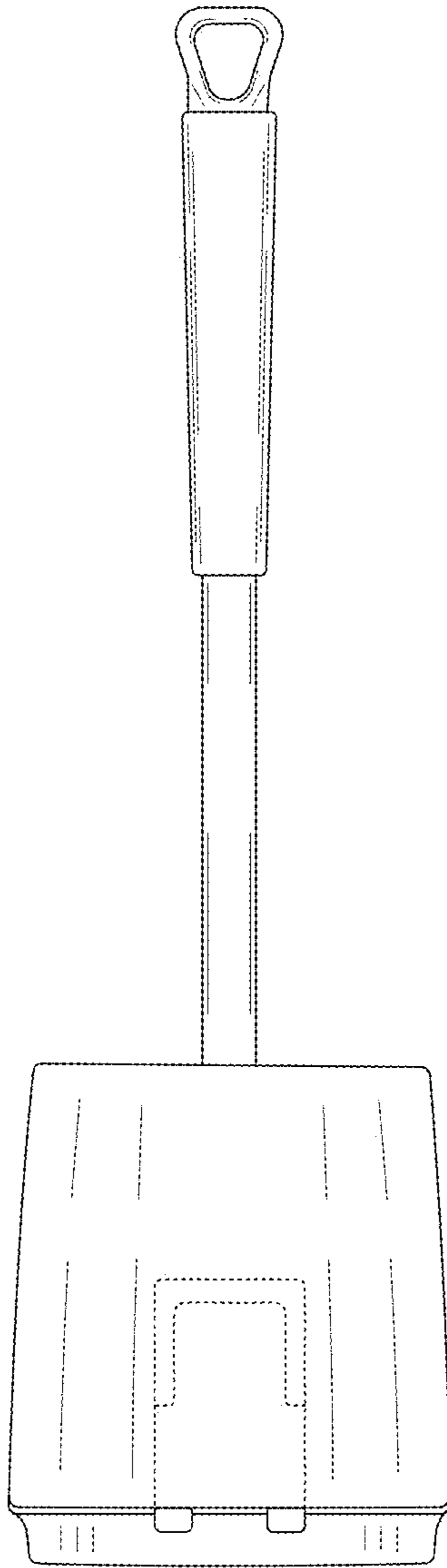


FIG.3

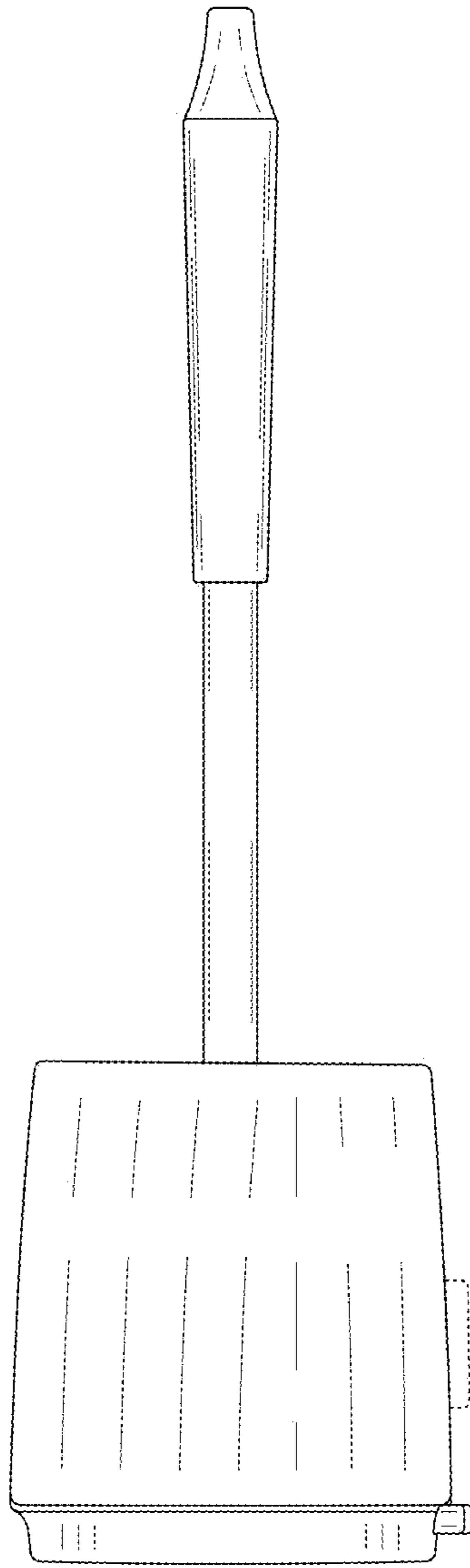


FIG.4

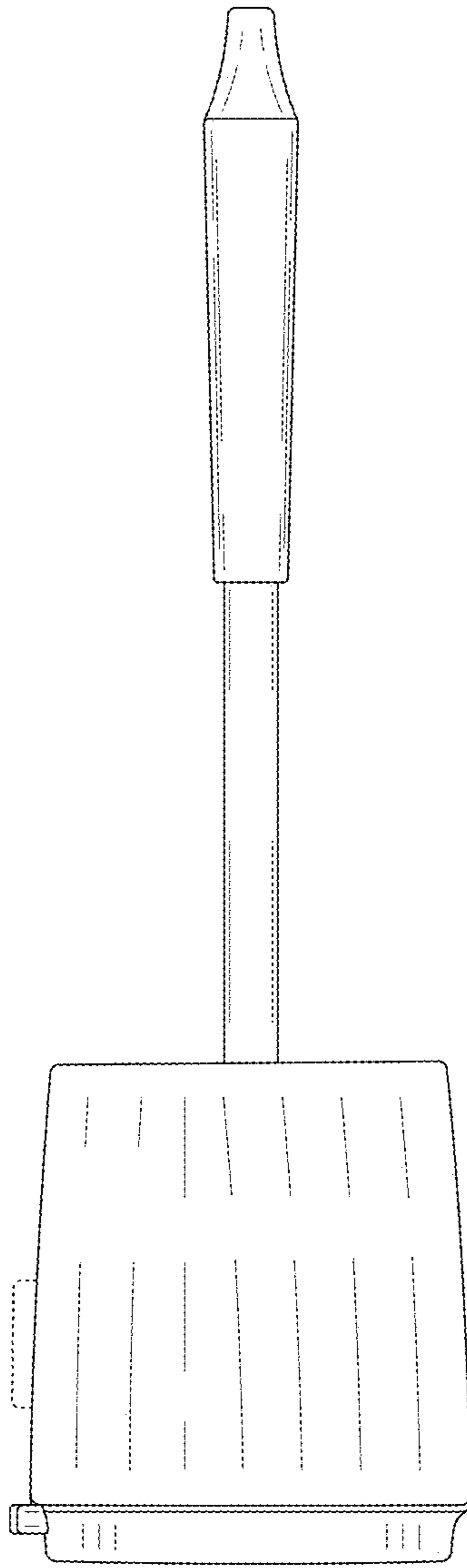


FIG.5

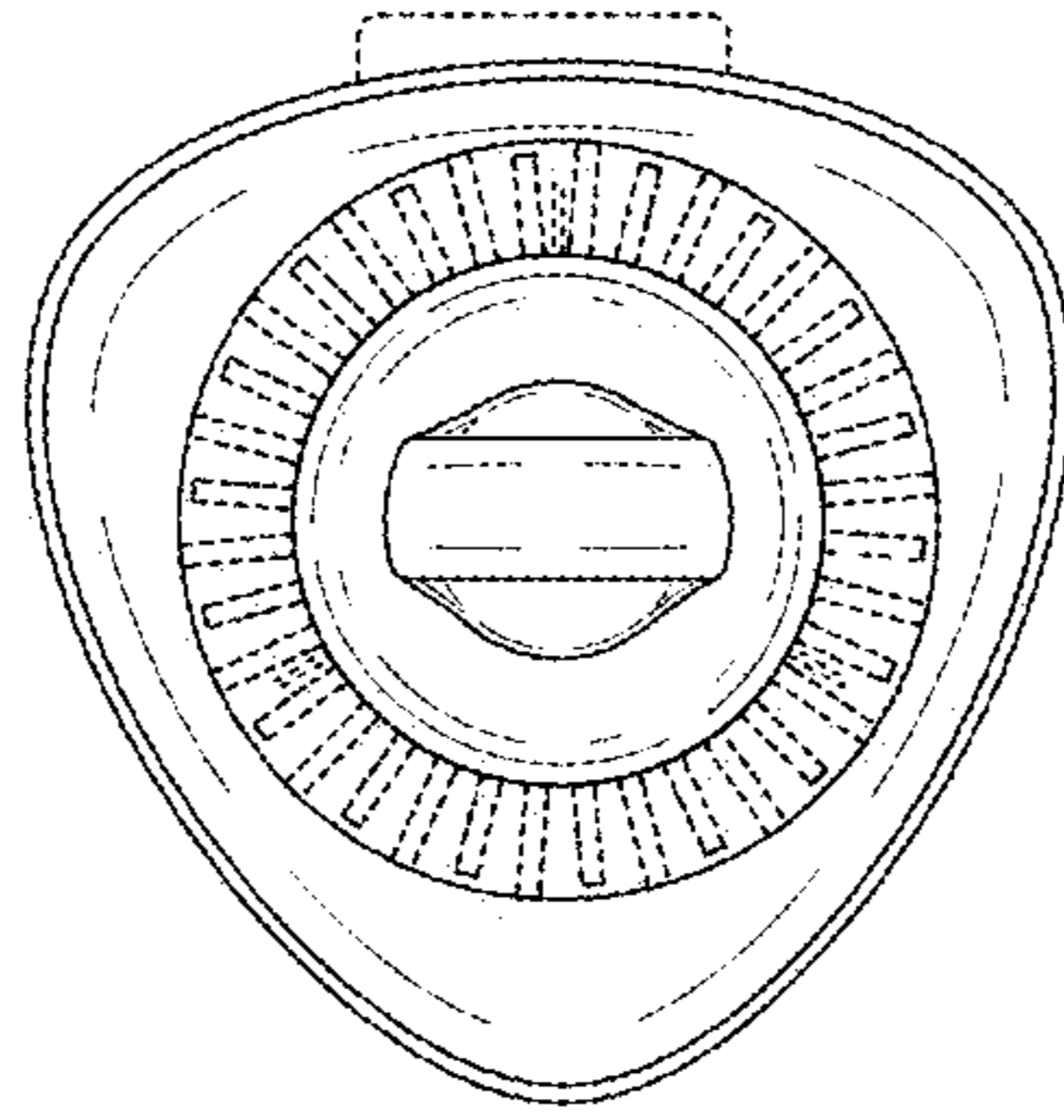


FIG.6



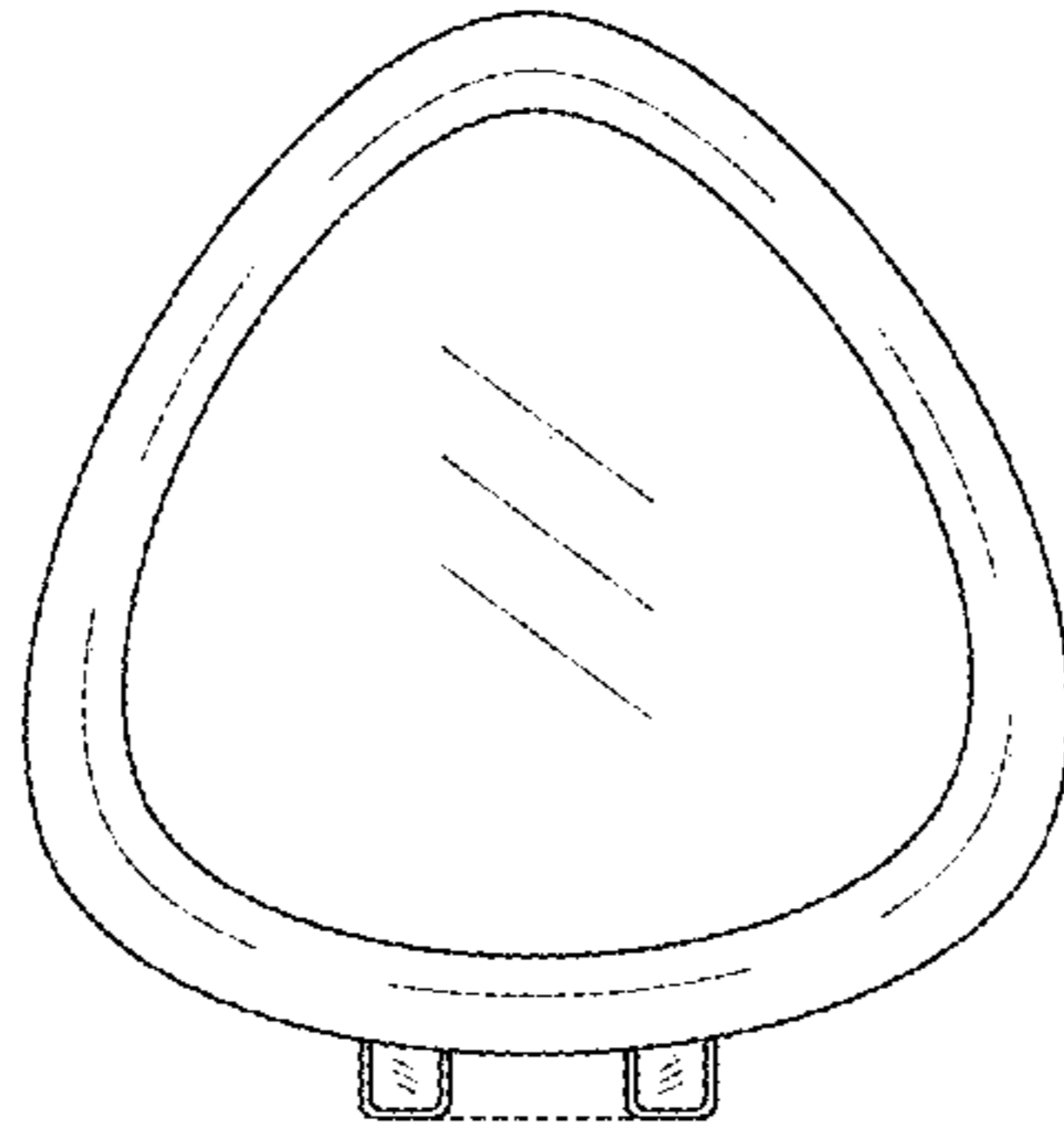


FIG.7

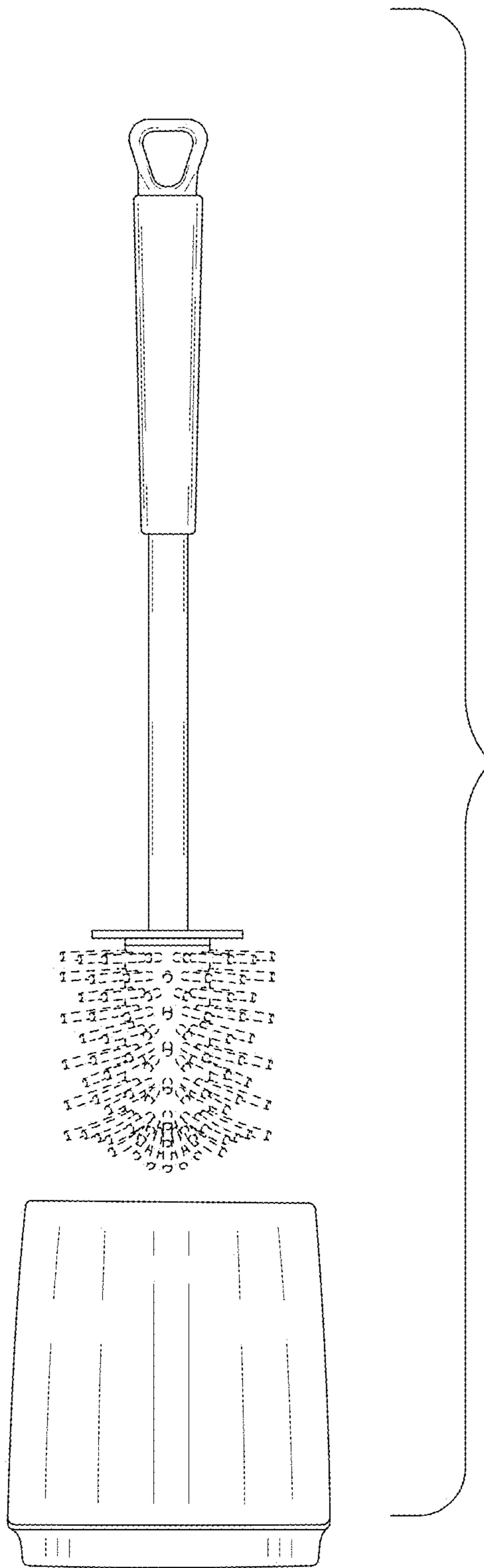


FIG.8

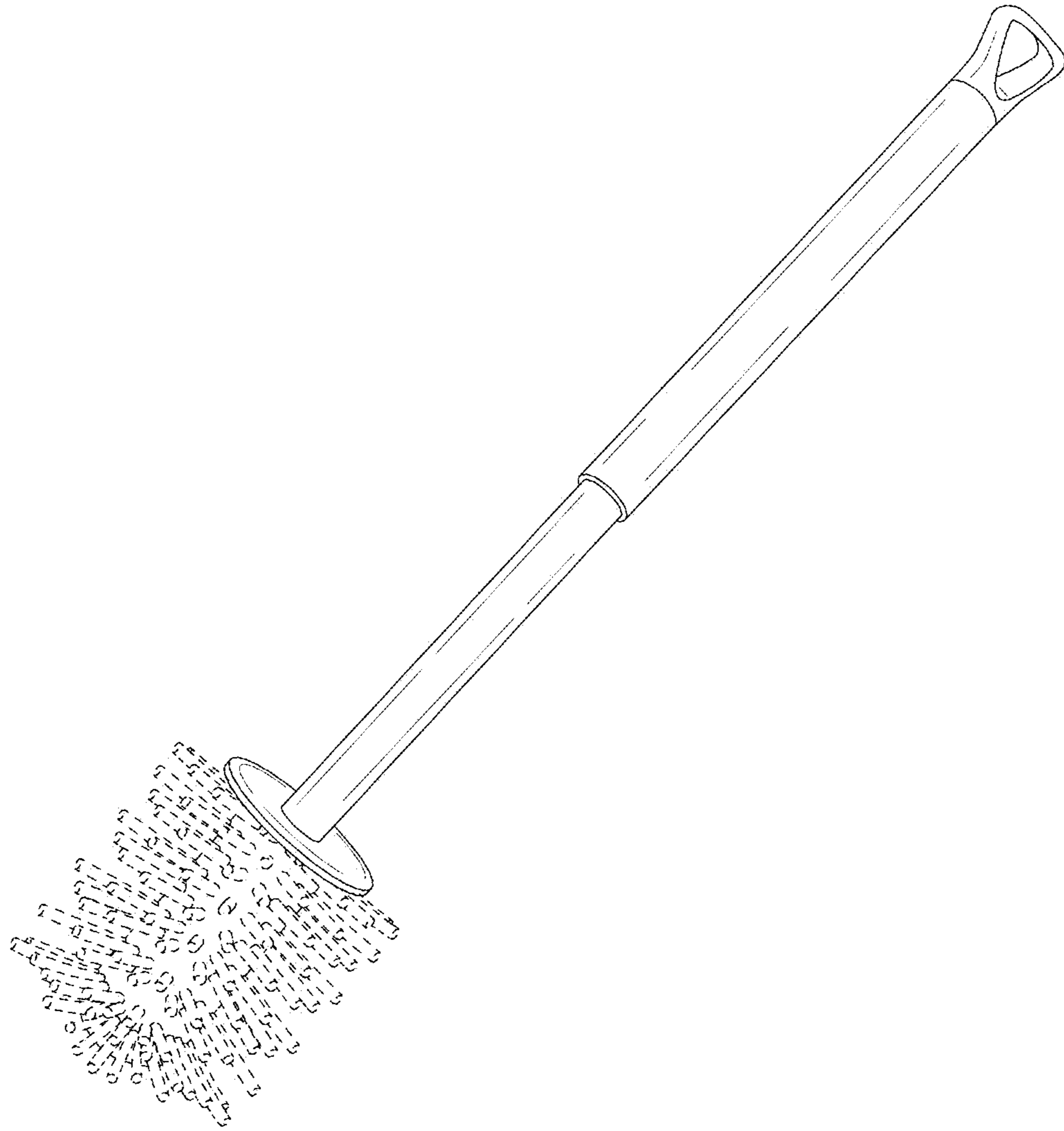


FIG.9

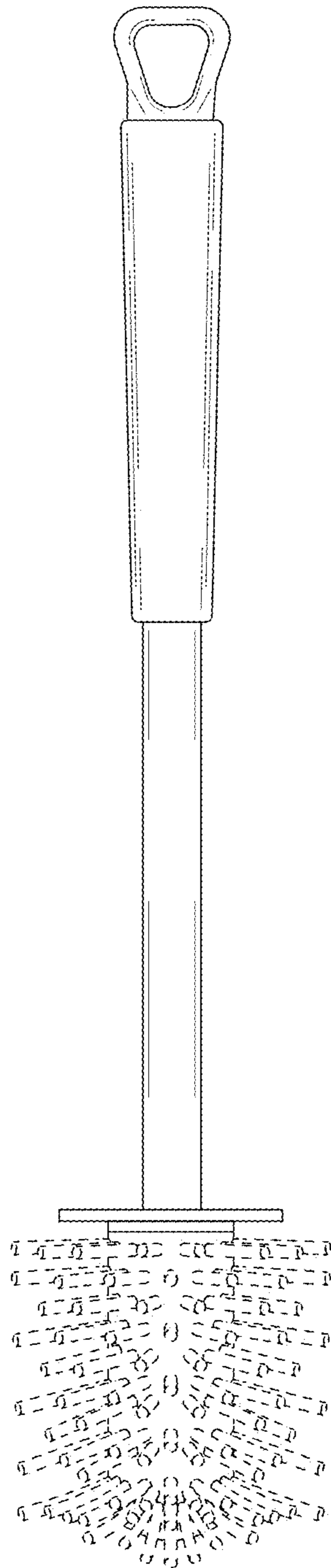


FIG.10

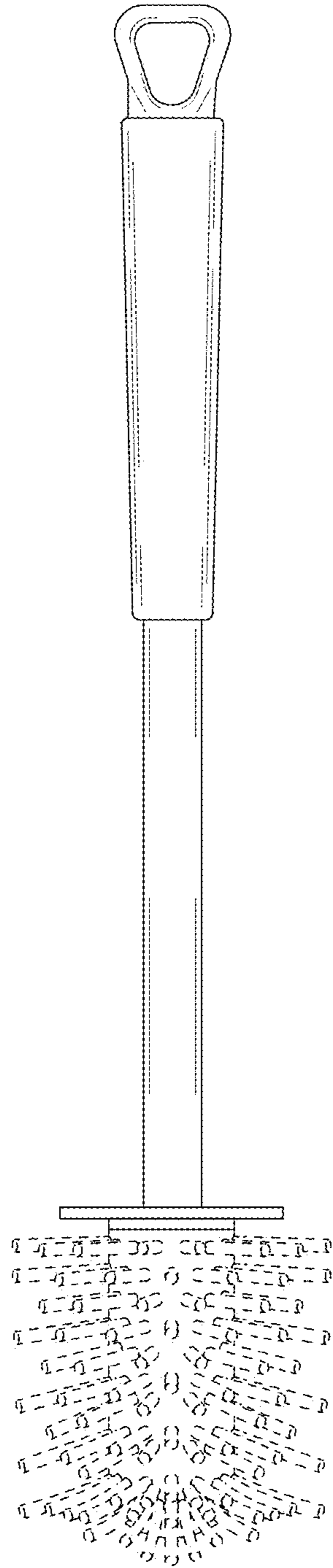


FIG. 11

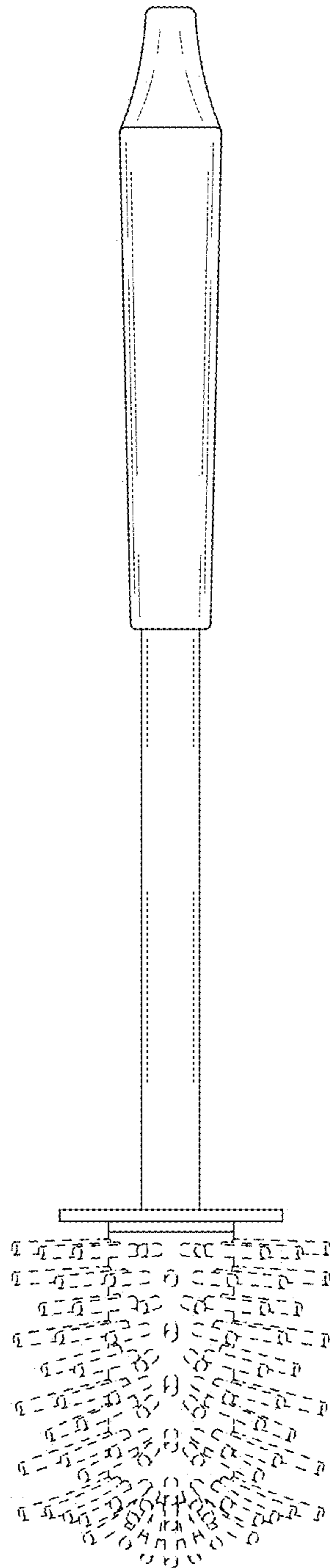


FIG.12

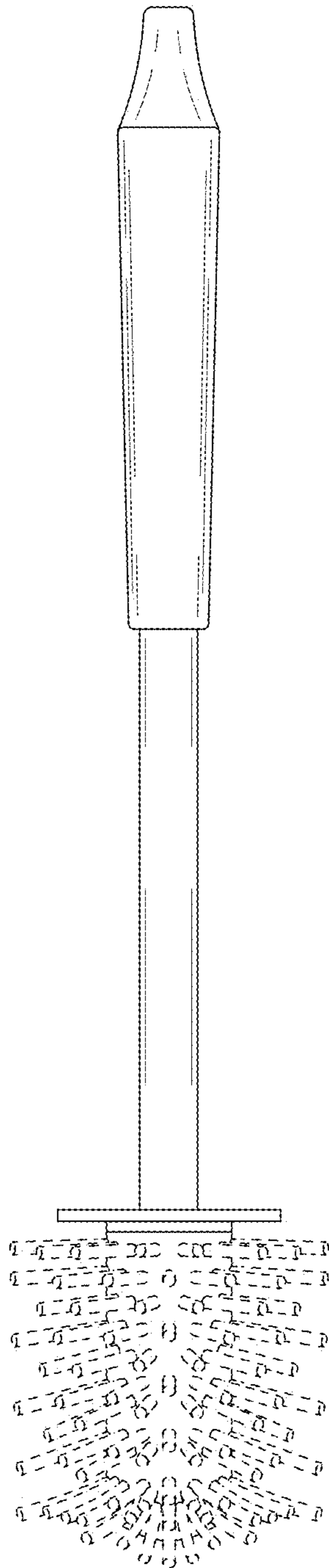


FIG.13

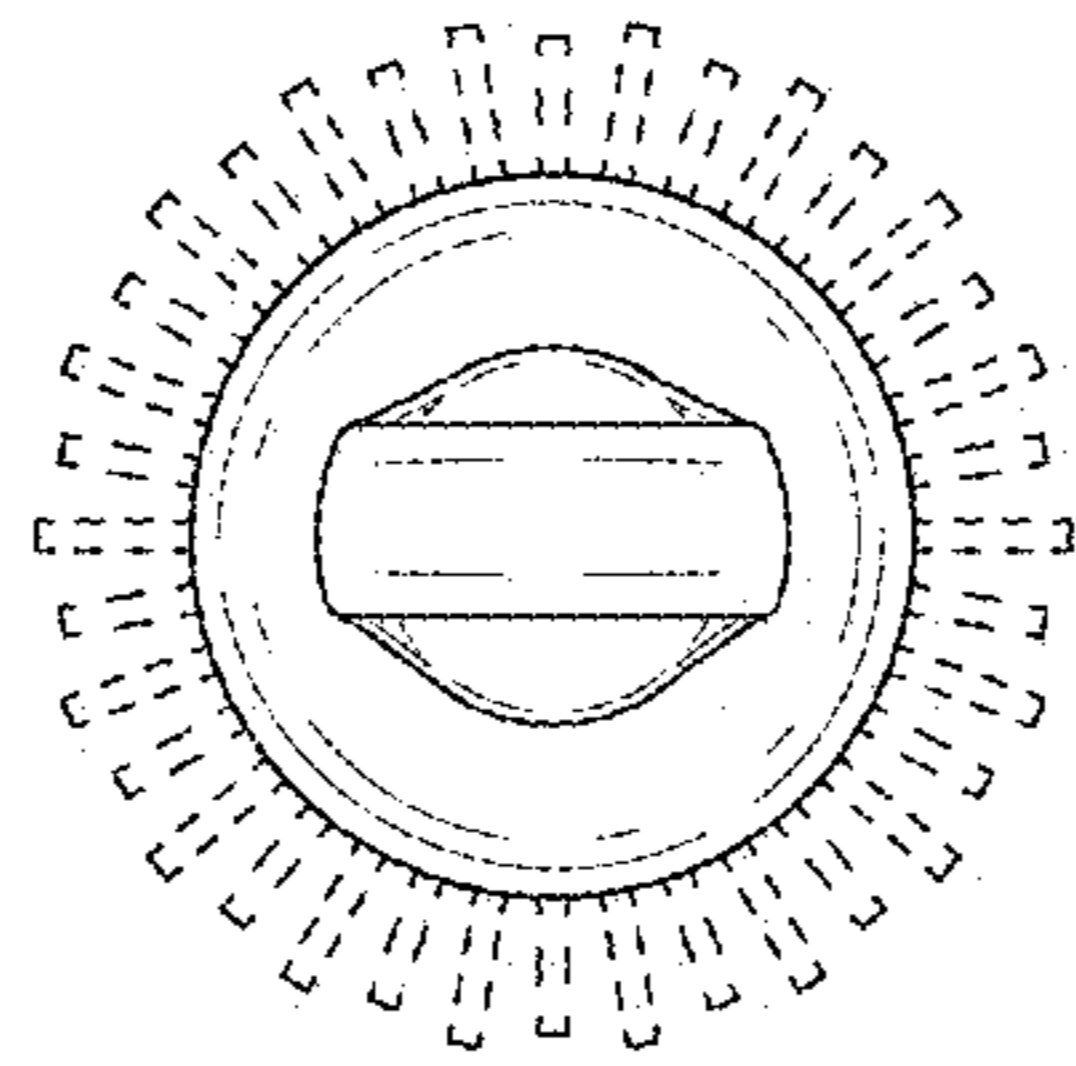


FIG.14



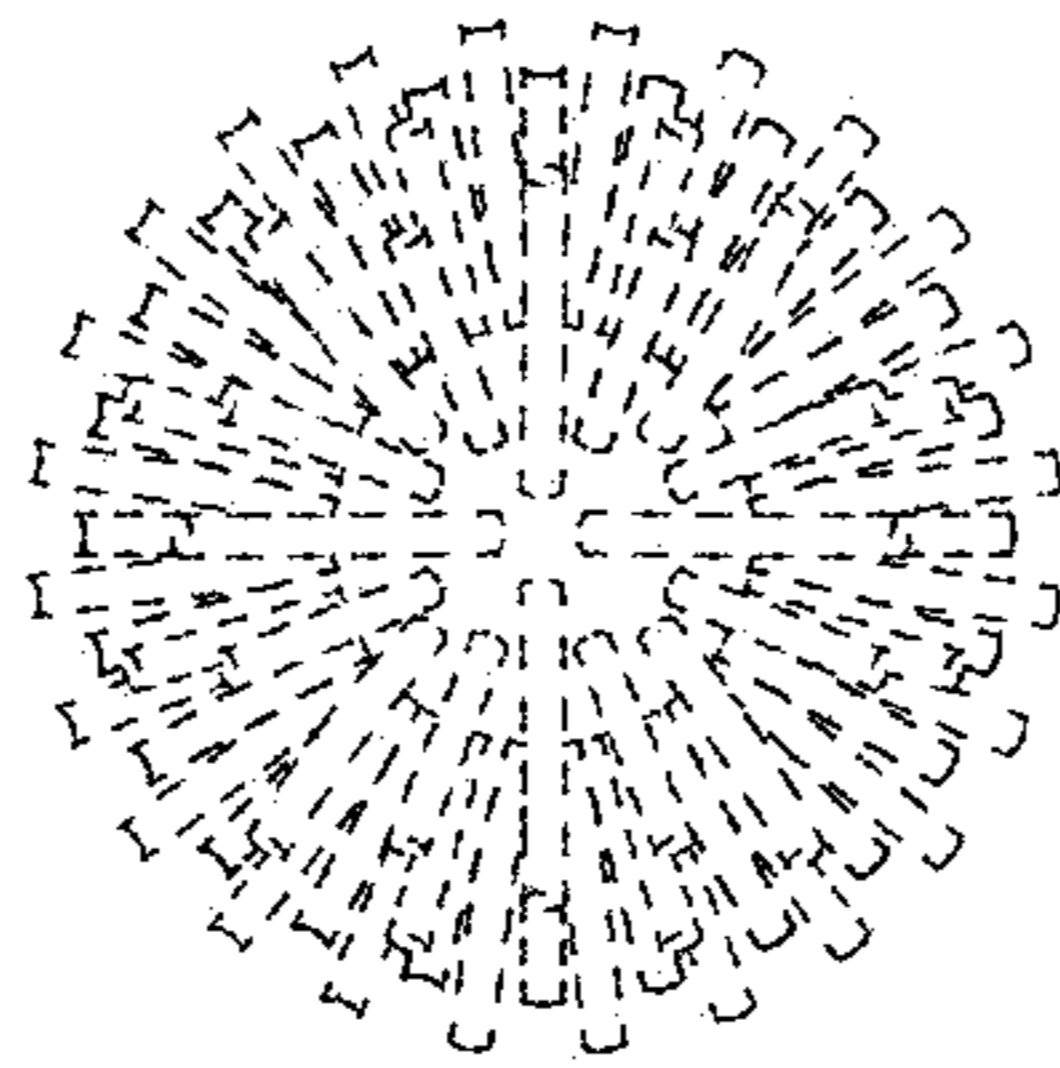


FIG. 15

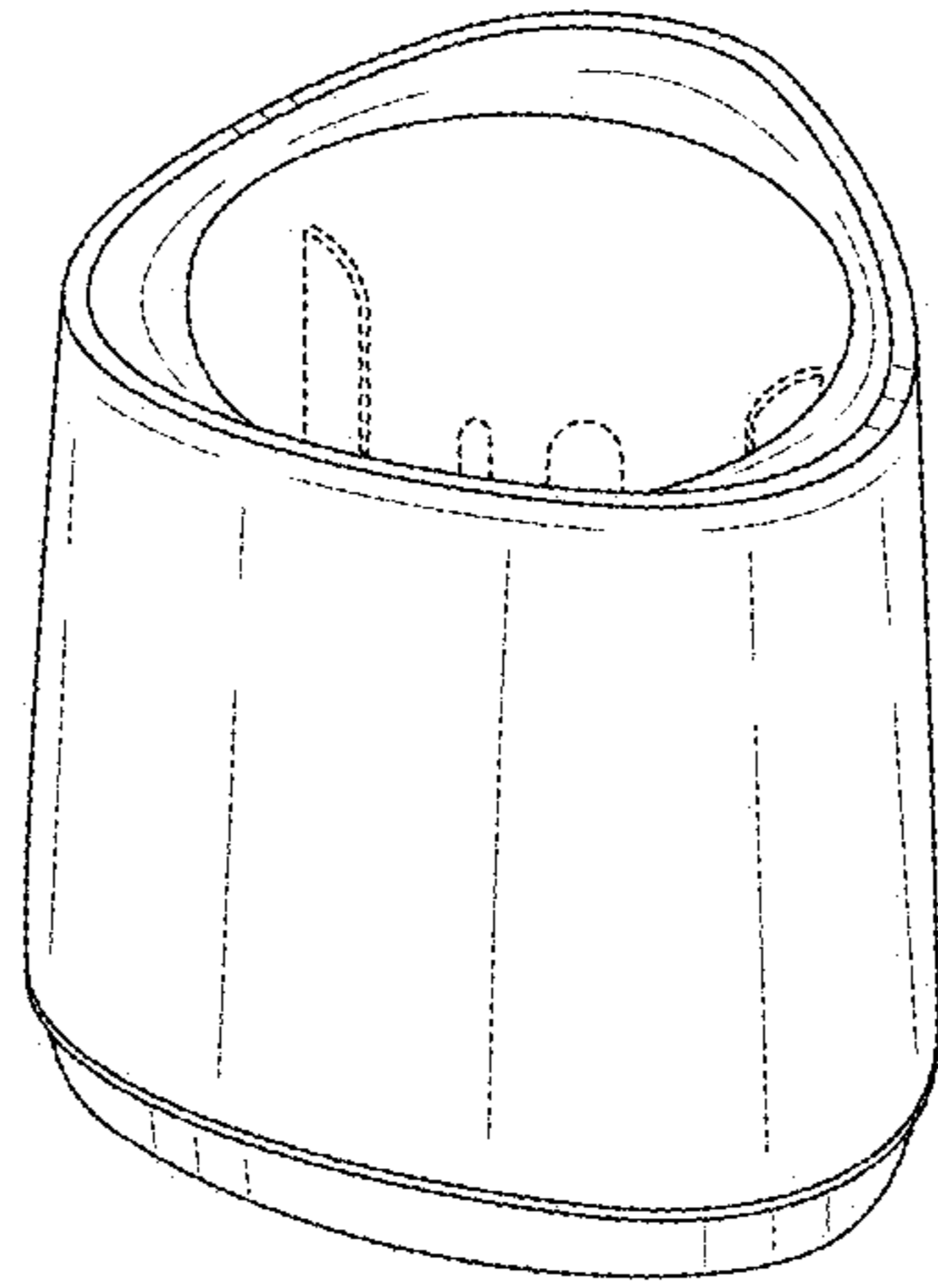


FIG. 16

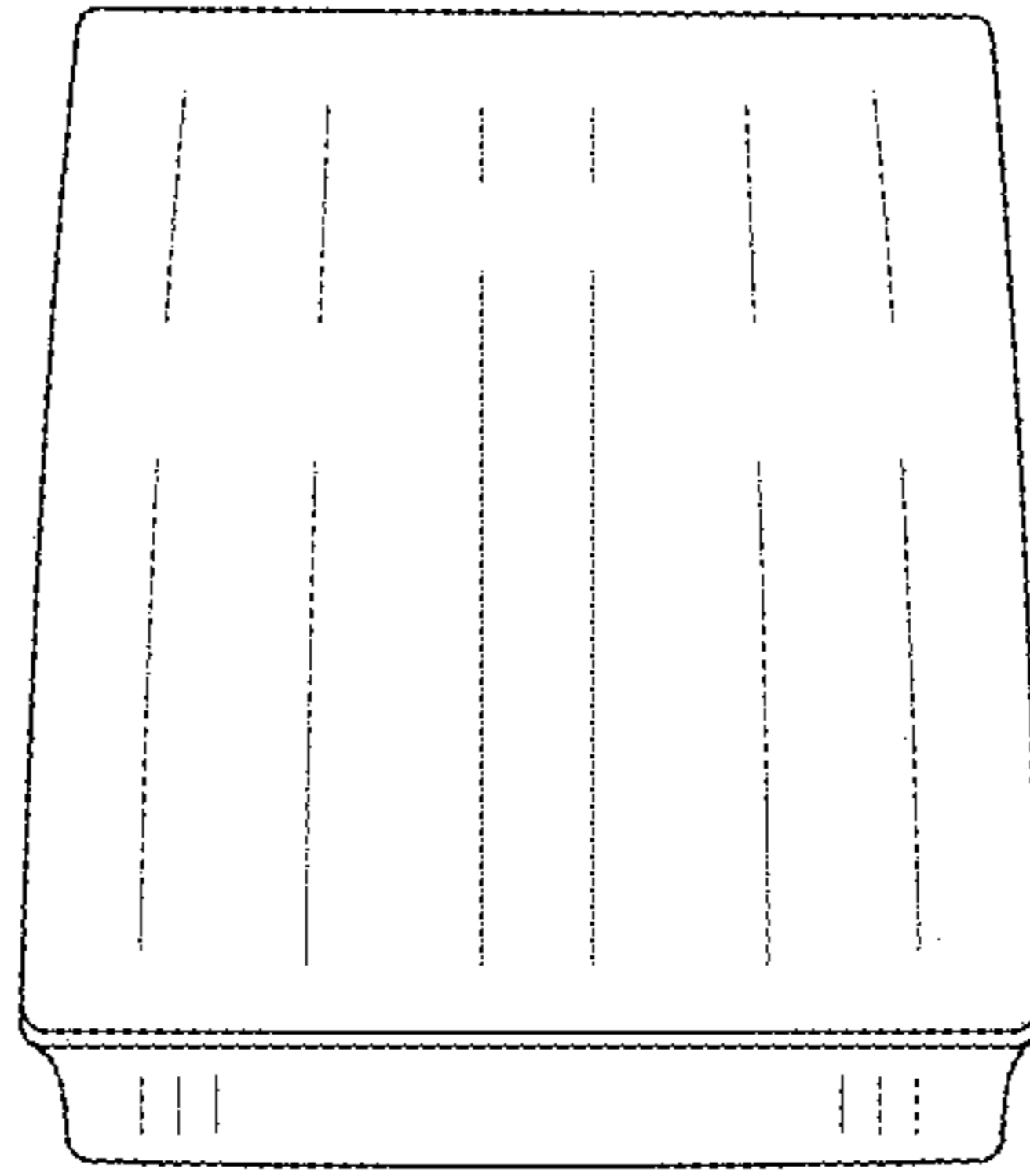


FIG.17

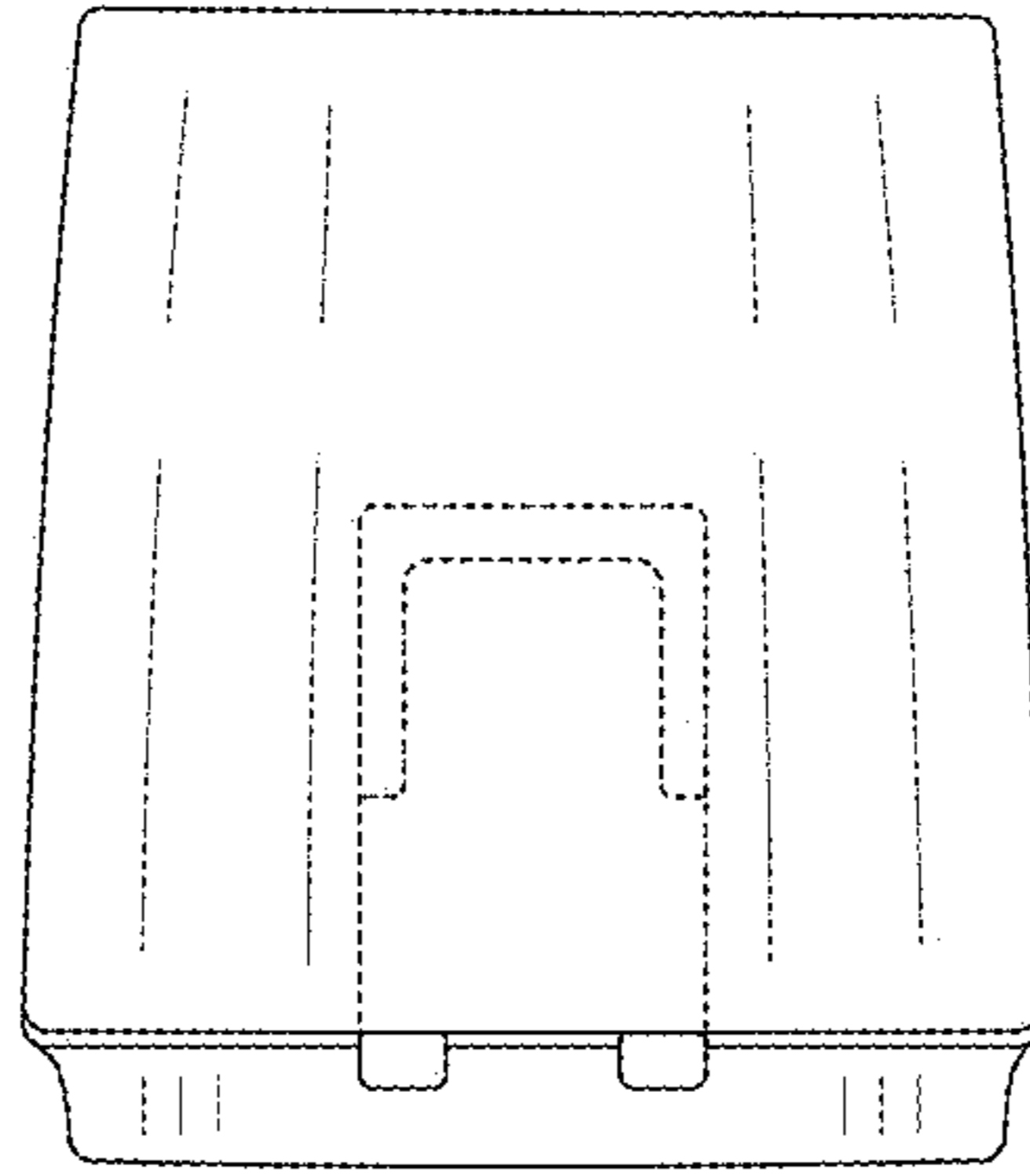


FIG.18

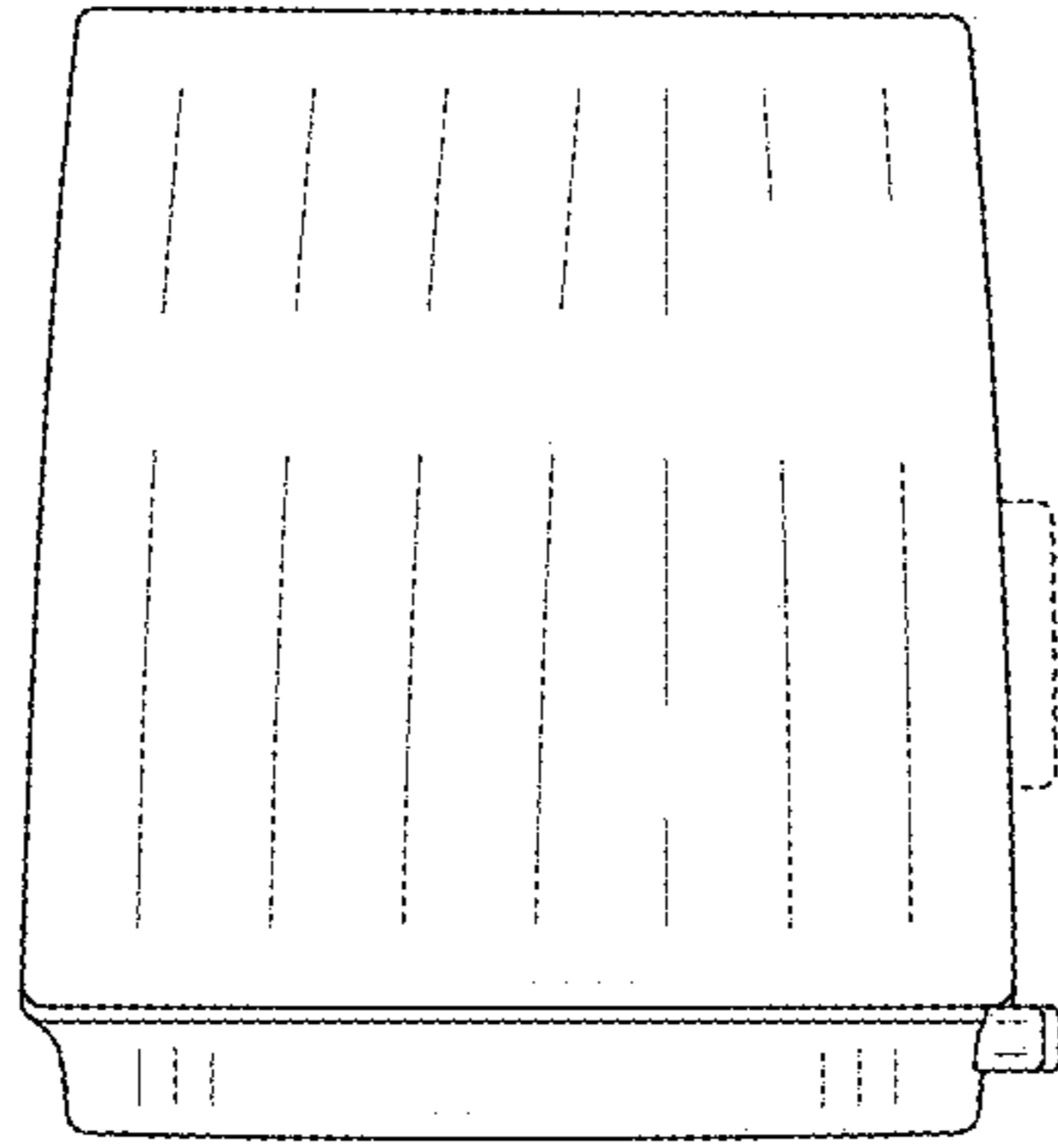


FIG.19

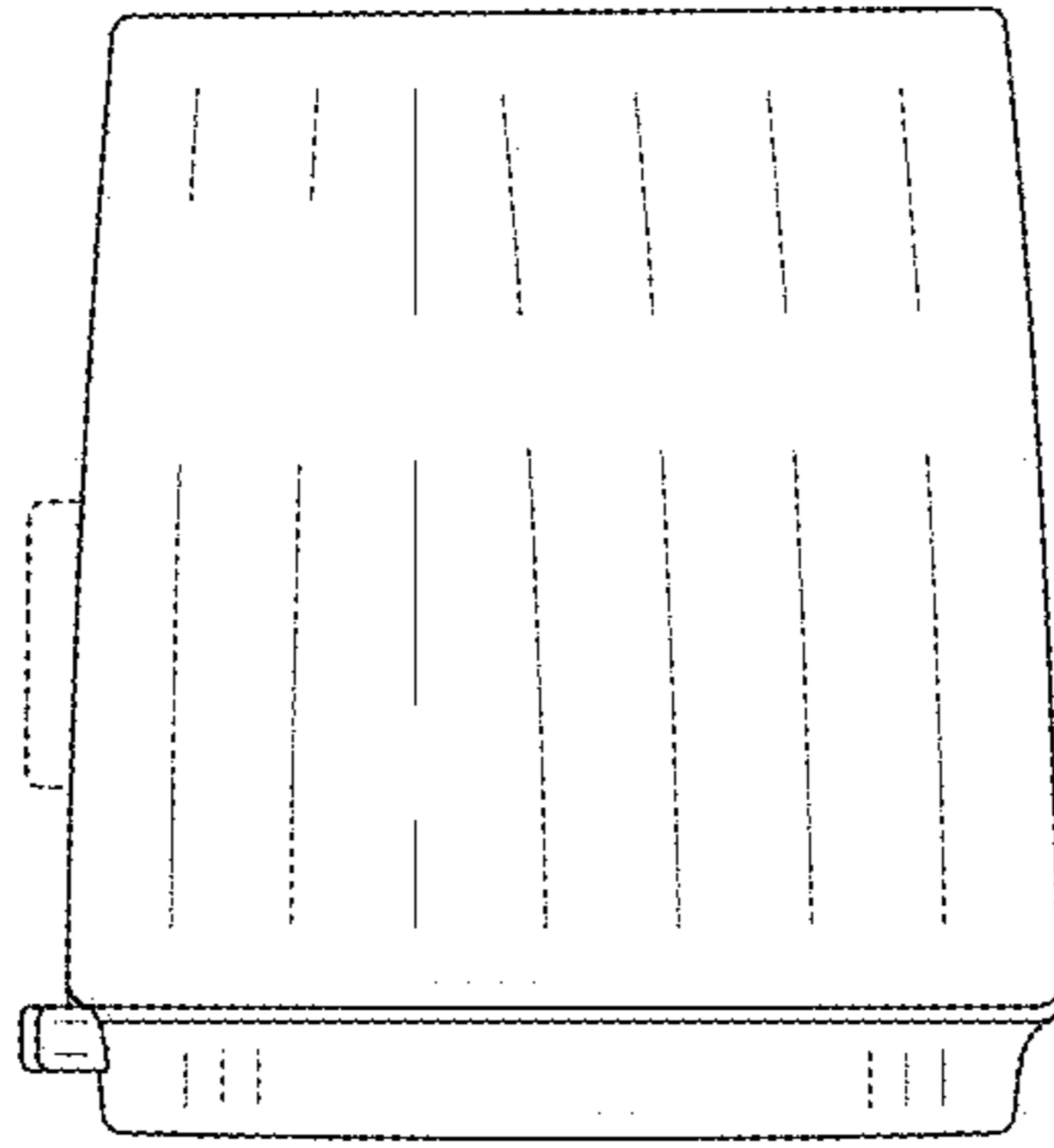


FIG.20

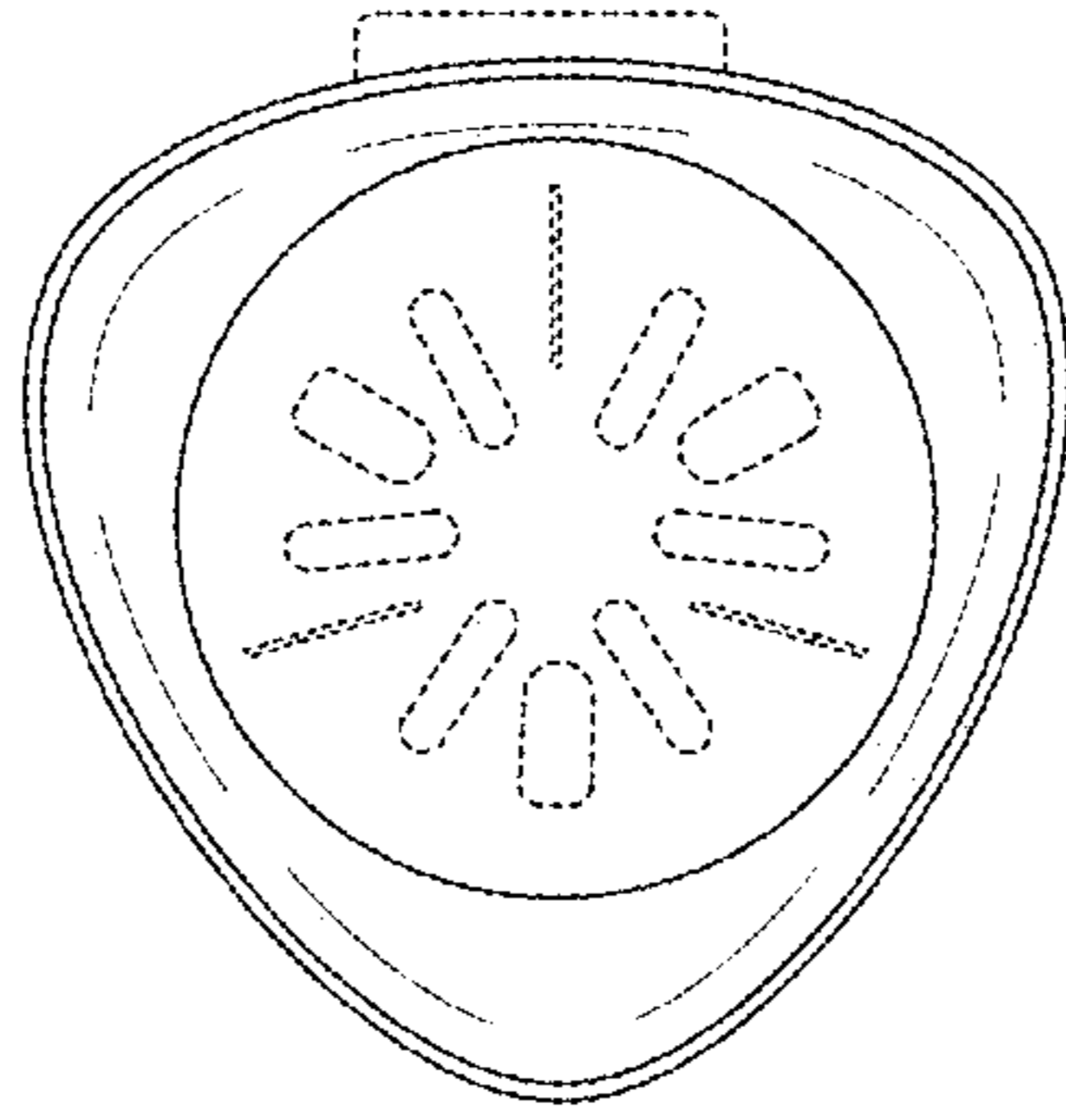


FIG. 21

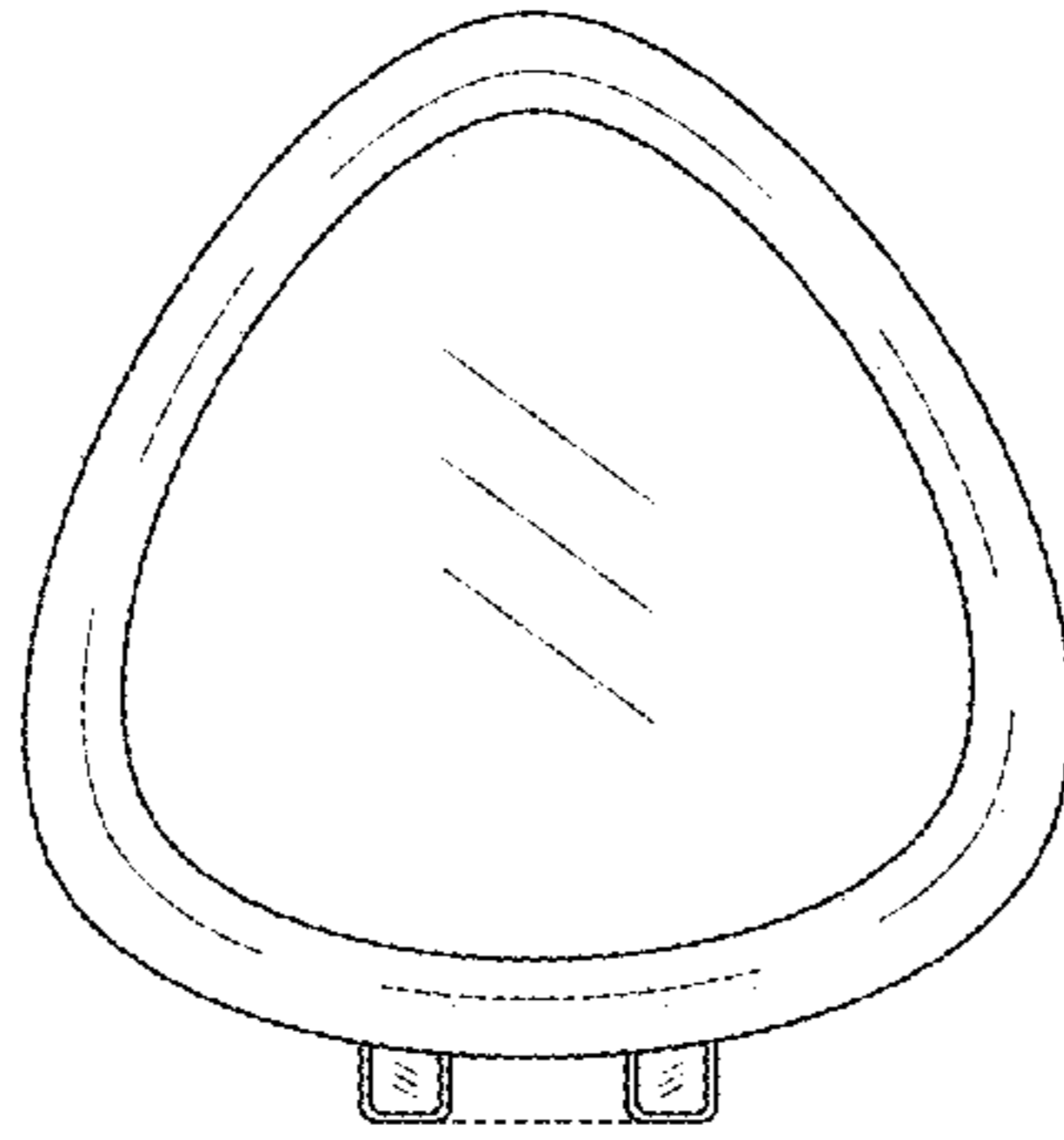


FIG.22