



US00D927219S

(12) **United States Design Patent** (10) **Patent No.:** **US D927,219 S**  
**Lin** (45) **Date of Patent:** **\*\* Aug. 10, 2021**

(54) **TOILET BRUSH WITH HOLDER SET**

(71) Applicant: **Limei Lin**, Nanping (CN)

(72) Inventor: **Limei Lin**, Nanping (CN)

(\*\*) Term: **15 Years**

(21) Appl. No.: **29/747,781**

(22) Filed: **Aug. 25, 2020**

(51) **LOC (13) Cl.** ..... **04-01**

(52) **U.S. Cl.**  
USPC ..... **D6/551; D4/116**

(58) **Field of Classification Search**  
USPC ..... D6/551, 525; D8/80, 83, 94, 107, 300;  
206/207, 349, 361; D32/40, 42, 46, 49,  
(Continued)

(56) **References Cited**

U.S. PATENT DOCUMENTS

D315,989 S \* 4/1991 Levien ..... D32/40  
D329,775 S \* 9/1992 Murphy ..... D6/551  
(Continued)

*Primary Examiner* — Nathan M Johnston

(74) *Attorney, Agent, or Firm* — ScienBiziP, P.C.

(57) **CLAIM**

The ornamental design for a toilet brush with holder set, as shown and described.

**DESCRIPTION**

FIG. 1 is a perspective view of a toilet brush with holder set, showing my design.  
FIG. 2 is a front elevation view of the toilet brush with holder set of FIG. 1.

FIG. 3 is a rear elevation view of the toilet brush with holder set of FIG. 1.

FIG. 4 is a left side elevation view of the toilet brush with holder set of FIG. 1.

FIG. 5 is a right side elevation view of the toilet brush with holder set of FIG. 1.

FIG. 6 is a top plan view of the toilet brush with holder set of FIG. 1.

FIG. 7 is a bottom plan view of the toilet brush with holder set of FIG. 1.

FIG. 8 is a perspective view of the toilet brush with holder set of FIG. 1 wherein a brush of the toilet brush with holder set is out of a brush holder of the toilet brush with holder set shown separately for ease of illustration.

FIG. 9 is a perspective view of the brush of the toilet brush with holder set of FIG. 8.

FIG. 10 is a front elevation view of the brush of FIG. 9.

FIG. 11 is a rear elevation view of the brush of FIG. 9.

FIG. 12 is a left side elevation view of the brush of FIG. 9.

FIG. 13 is a right side elevation view of the brush of FIG. 9.

FIG. 14 is a top plan view of the brush of FIG. 9.

FIG. 15 is a bottom plan view of the brush of FIG. 9.

FIG. 16 is a perspective view of the brush holder of the toilet brush with holder set of FIG. 9 shown separately for ease of illustration.

FIG. 17 is a front elevation view of the brush holder of FIG. 16.

FIG. 18 is a rear elevation view of the brush holder of FIG. 16.

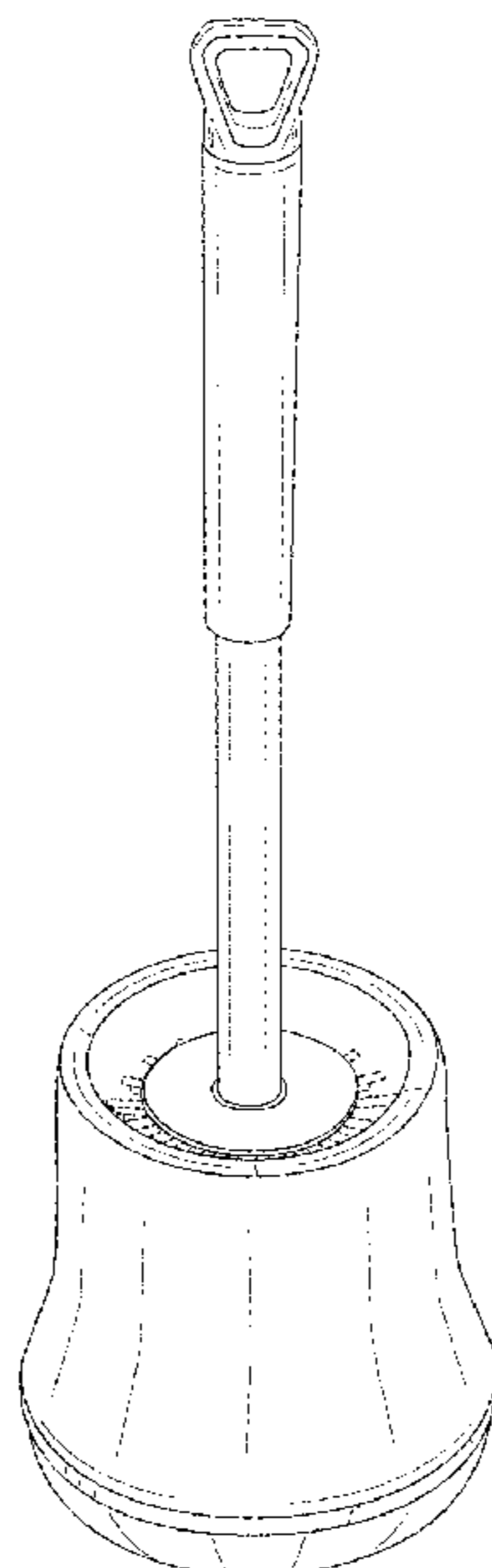
FIG. 19 is a left side elevation view of the brush holder of FIG. 16.

FIG. 20 is a right side elevation view of the brush holder of FIG. 16.

FIG. 21 is a top plan view of the brush holder of FIG. 16; and,

FIG. 22 is a bottom plan view of the brush holder of FIG. 16. The broken lines show portions of the design that form no part of the claimed design.

**1 Claim, 22 Drawing Sheets**



(58) **Field of Classification Search**

USPC ..... D32/51, 52; D7/541, 555, 615; 312/206,  
312/207; D4/100, 102, 114, 117, 118,  
D4/121, 130-136, 138, 116; 4/255.05,  
4/255.11; 15/21.1, 143.1, 145, 159.1,  
15/160, 186-188; 132/120, 142, 313  
CPC ..... A47K 17/00; A47K 11/10; A47K 3/001;  
B65D 47/40; A46B 2200/304; A46B  
17/02; A46B 17/06

See application file for complete search history.

(56) **References Cited**

U.S. PATENT DOCUMENTS

D483,591	S	*	12/2003	Dretzka	.....	D6/551
D525,064	S	*	7/2006	Williams	.....	D6/524
D551,480	S	*	9/2007	Dretzka	.....	D6/551
D576,801	S	*	9/2008	Dretzka	.....	D4/116
D664,387	S	*	7/2012	Kennedy	.....	D6/542
D689,299	S	*	9/2013	Kassem Llano	.....	D6/524
D738,133	S	*	9/2015	Bjerre-Poulsen	.....	D6/534
D805,807	S		12/2017	Li		
D817,004	S	*	5/2018	Appelbaum	.....	D4/114
D840,714	S		2/2019	Vosbikian et al.		
D855,564	S	*	8/2019	Brennan	.....	D13/108
D905,966	S	*	12/2020	Wen	.....	D4/116
2020/0163447	A1	*	5/2020	Spitaletta	.....	A47K 17/00

\* cited by examiner

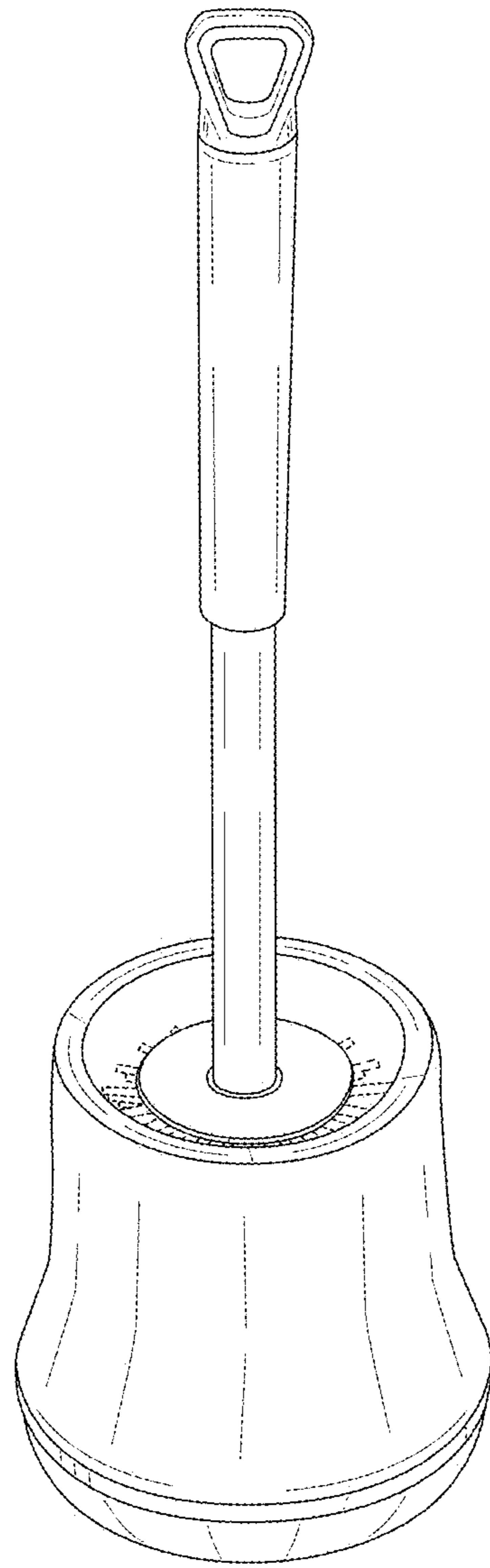


FIG. 1

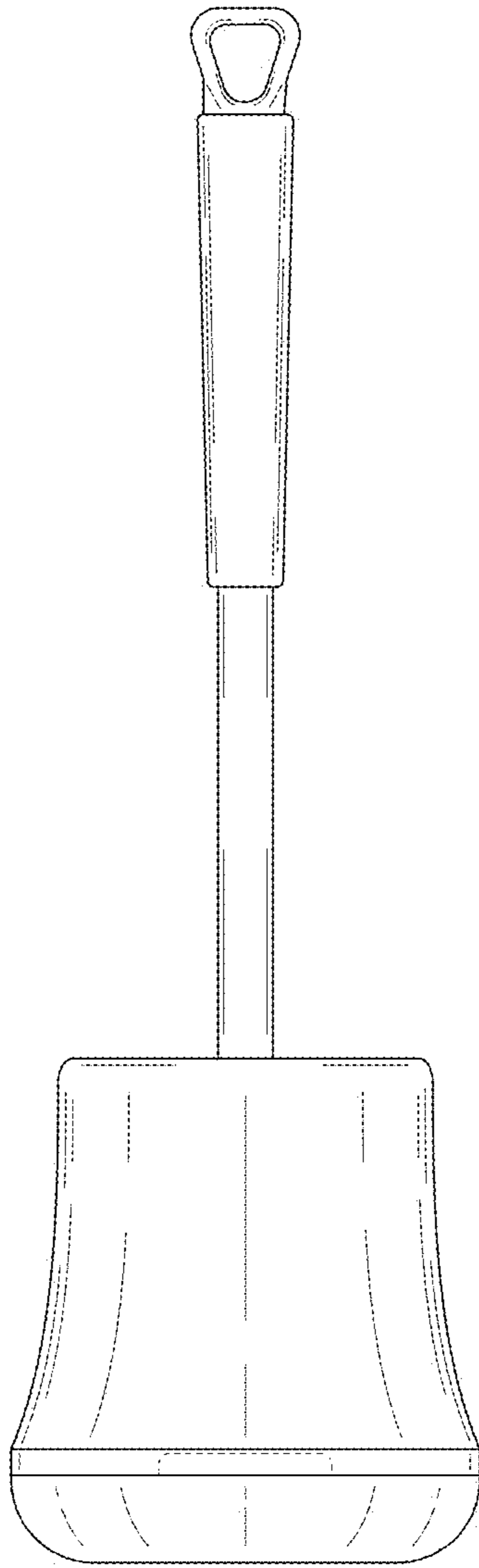


FIG. 2

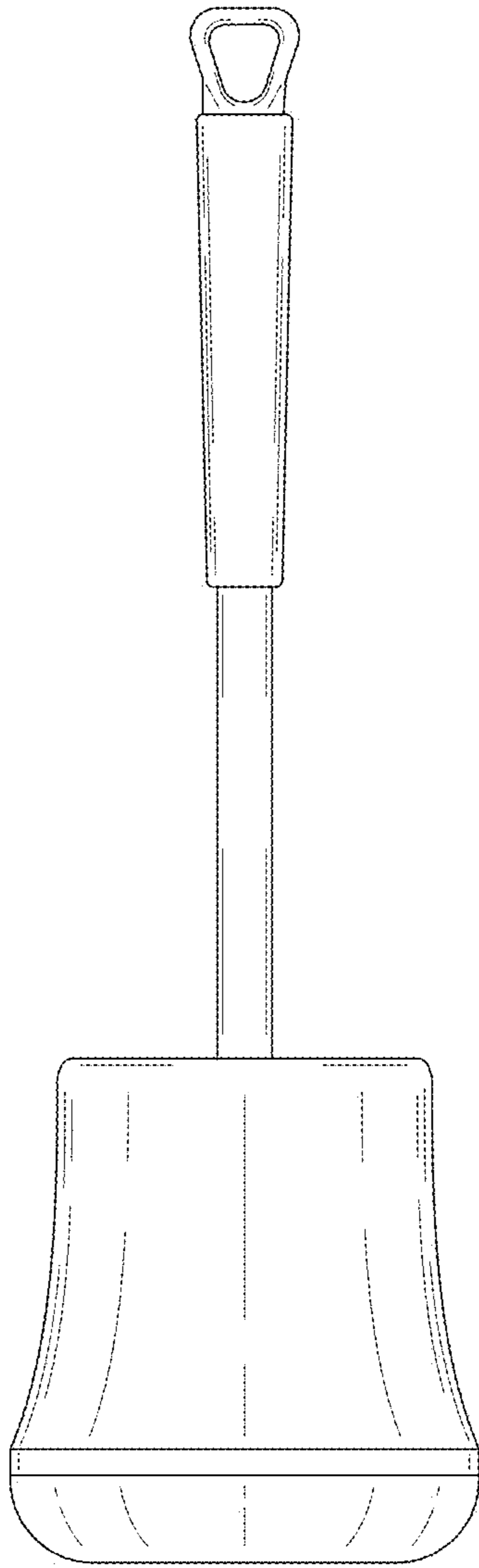


FIG. 3

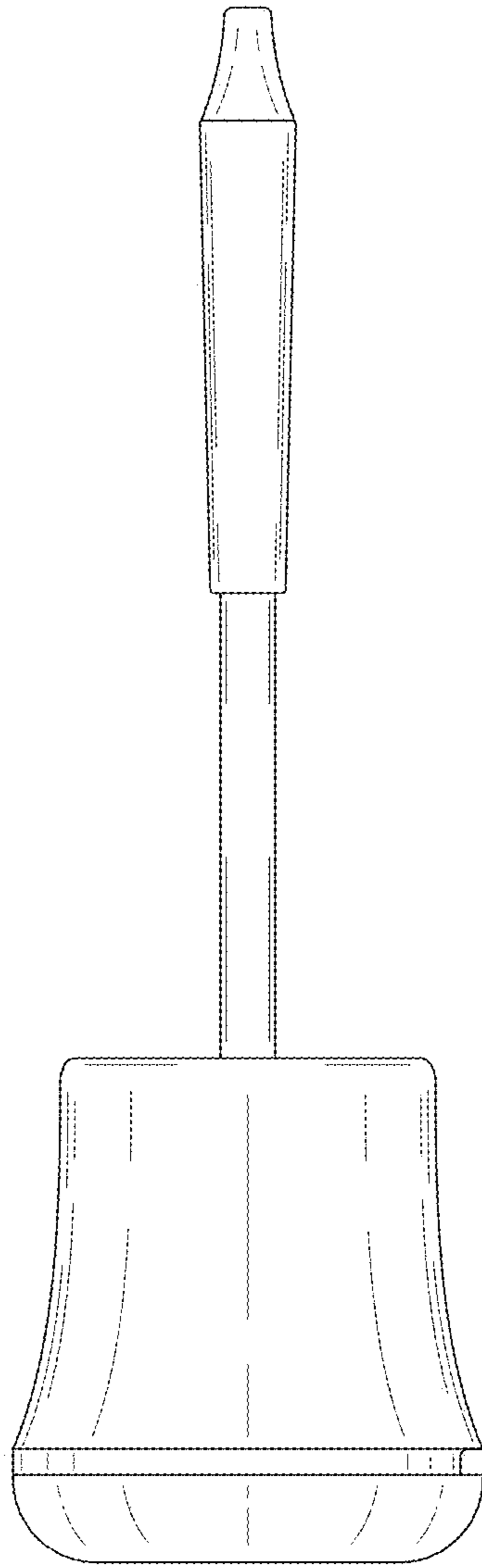


FIG.4

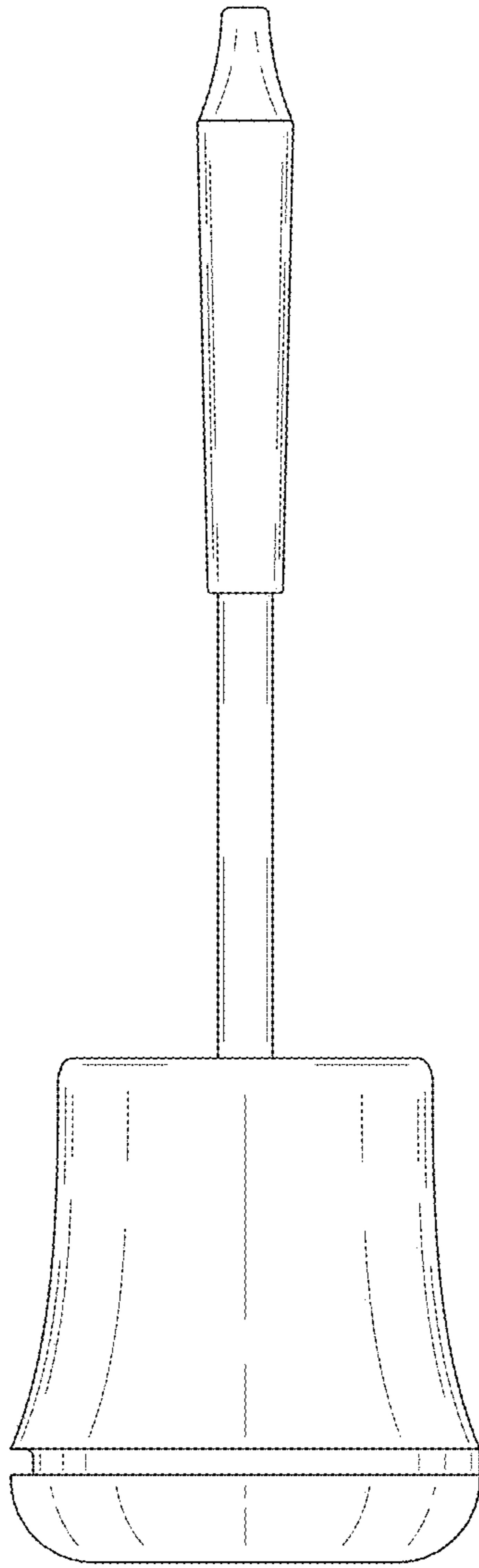


FIG.5

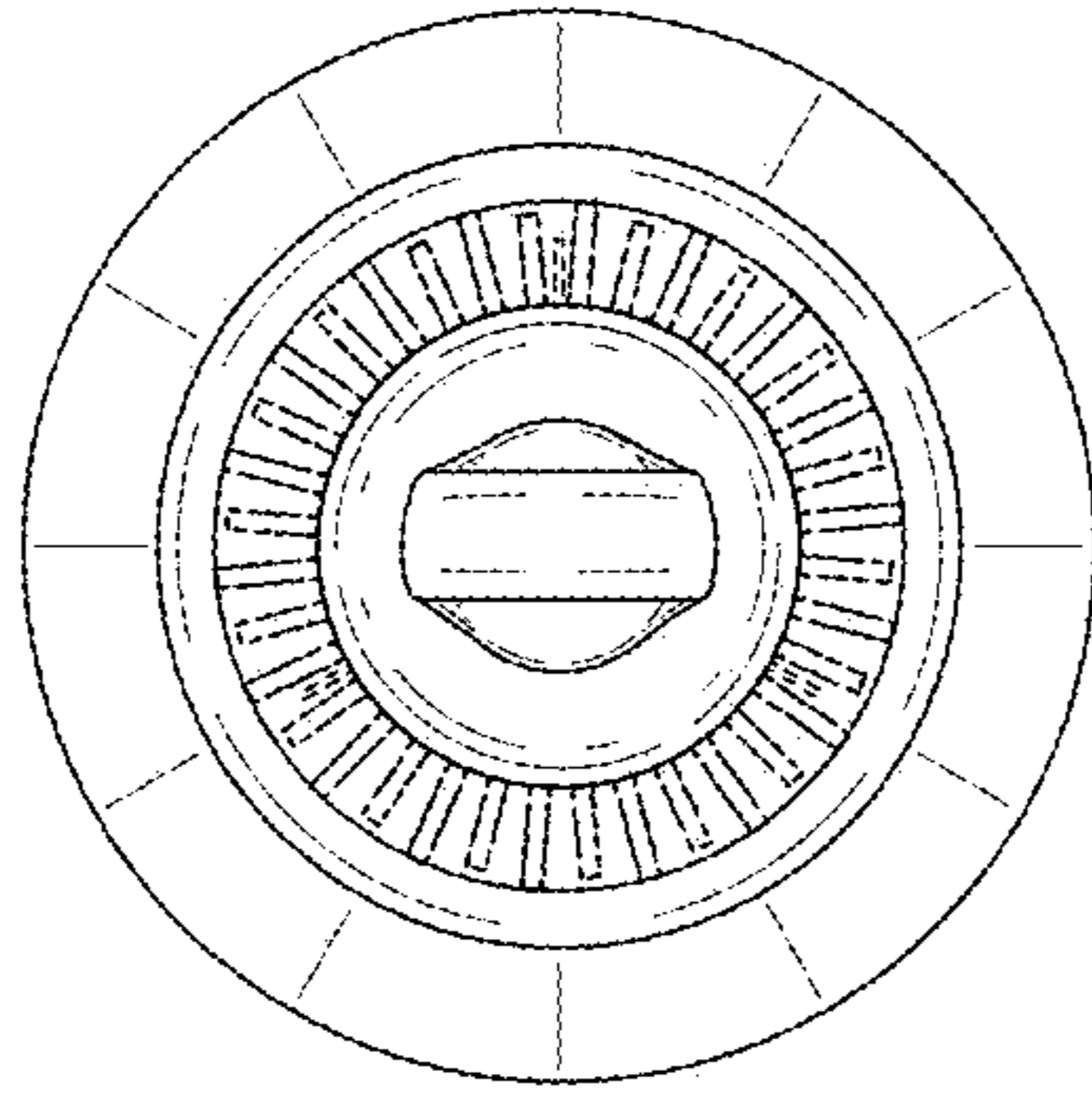


FIG.6



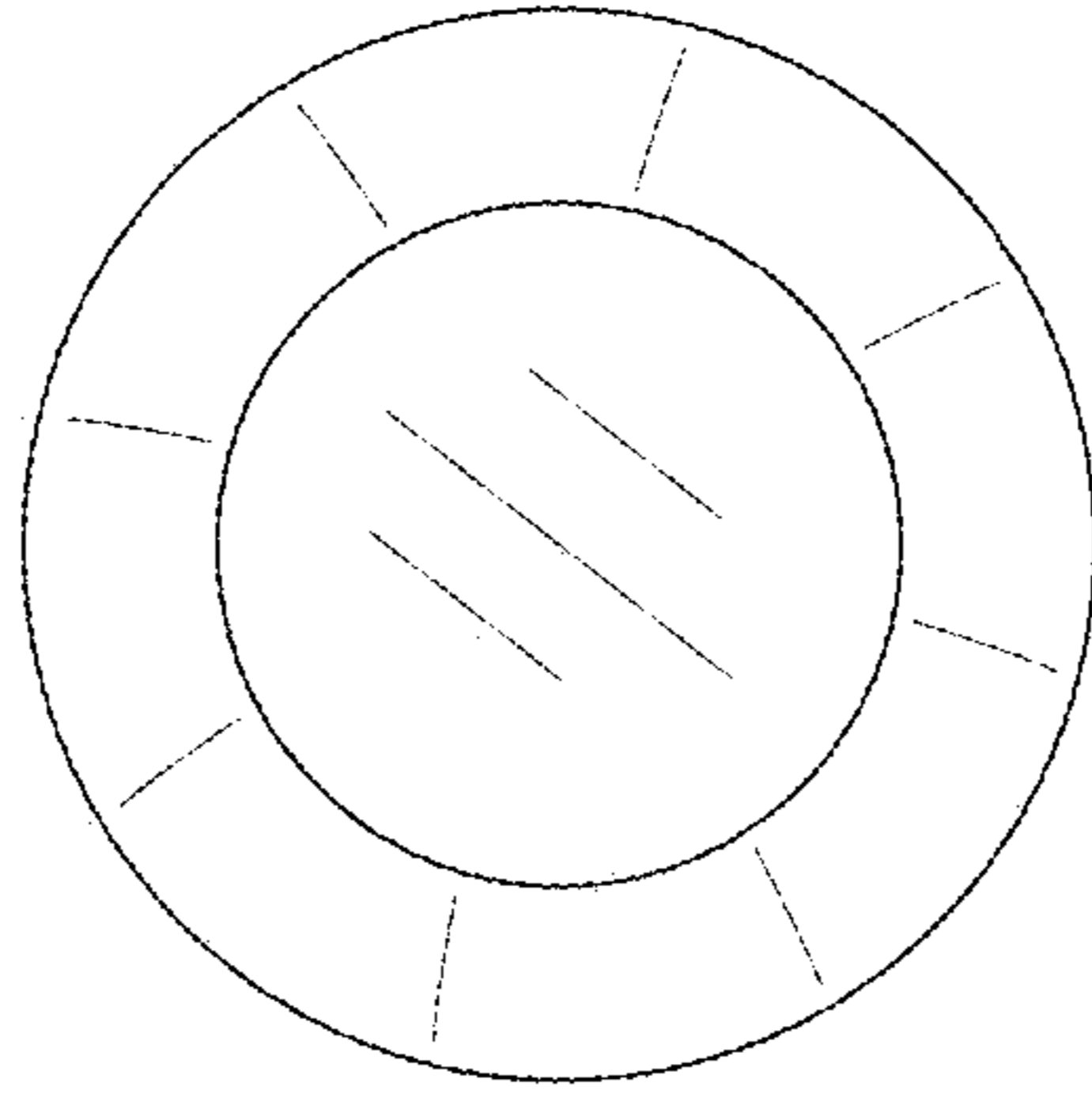


FIG.7

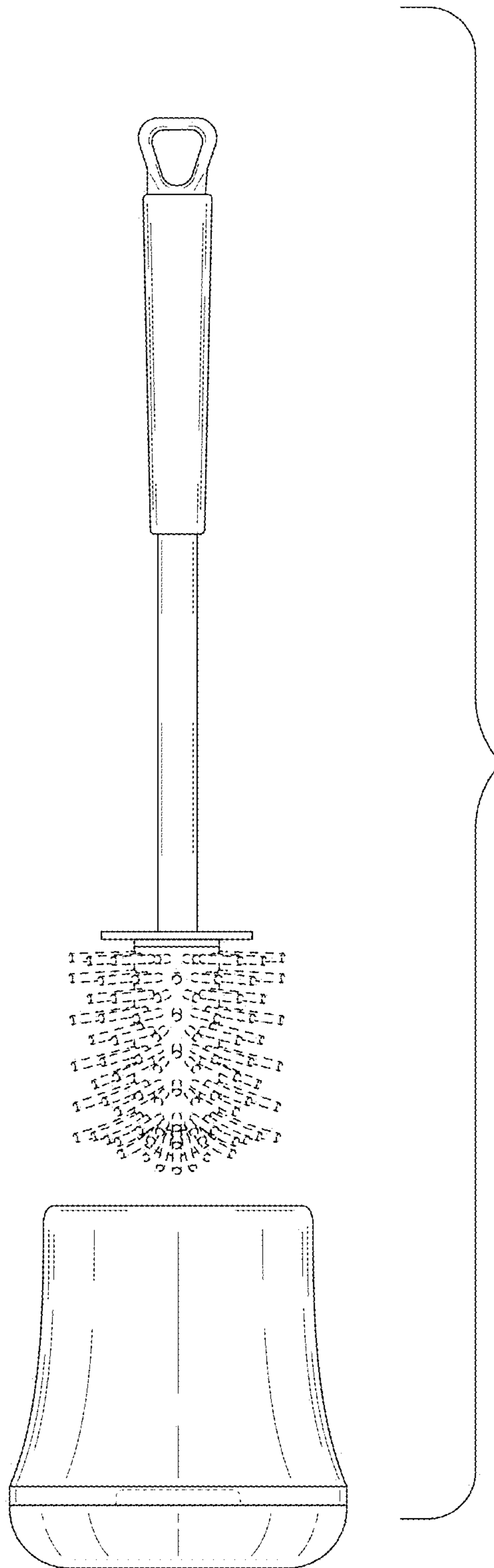


FIG.8

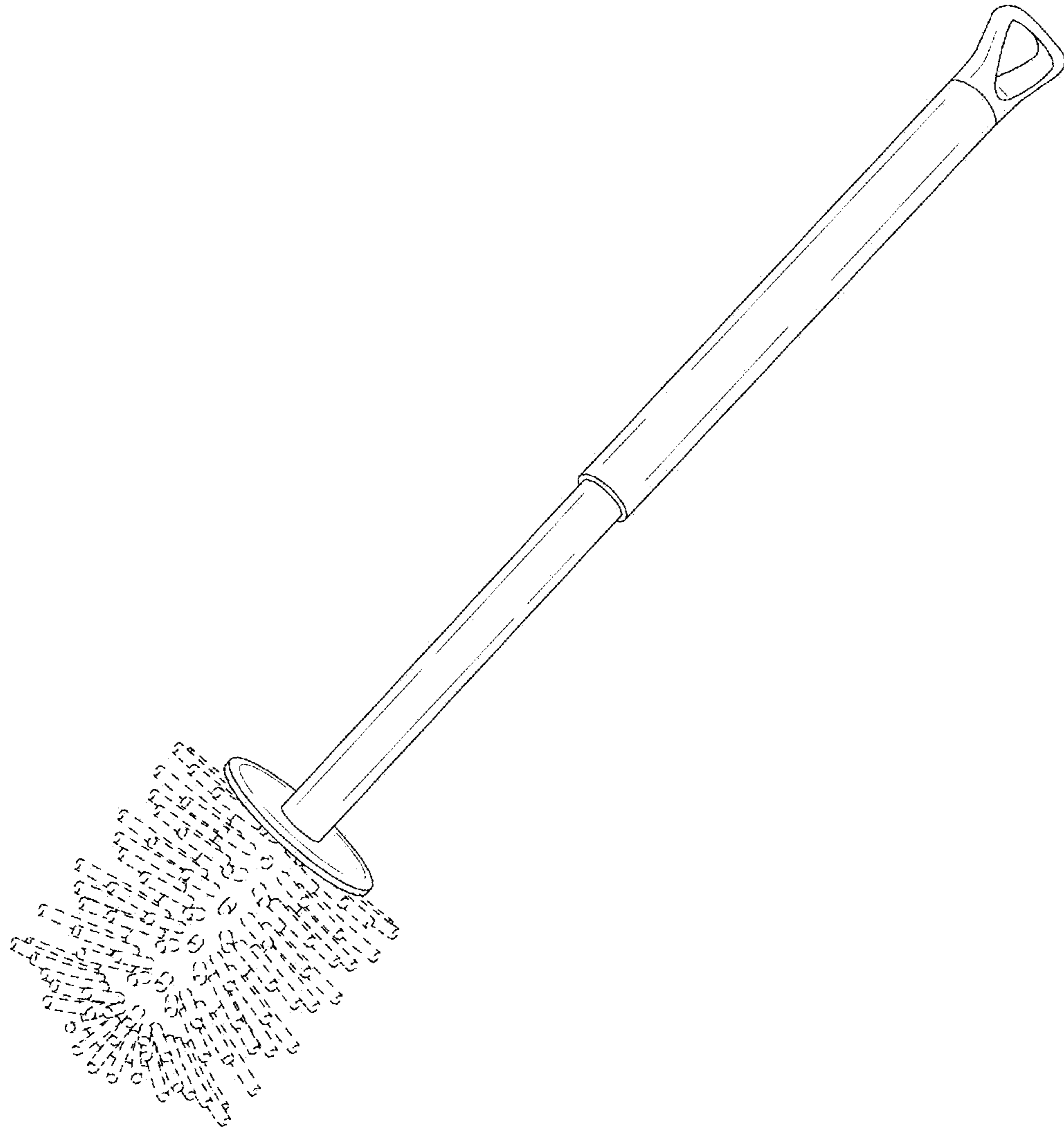


FIG.9

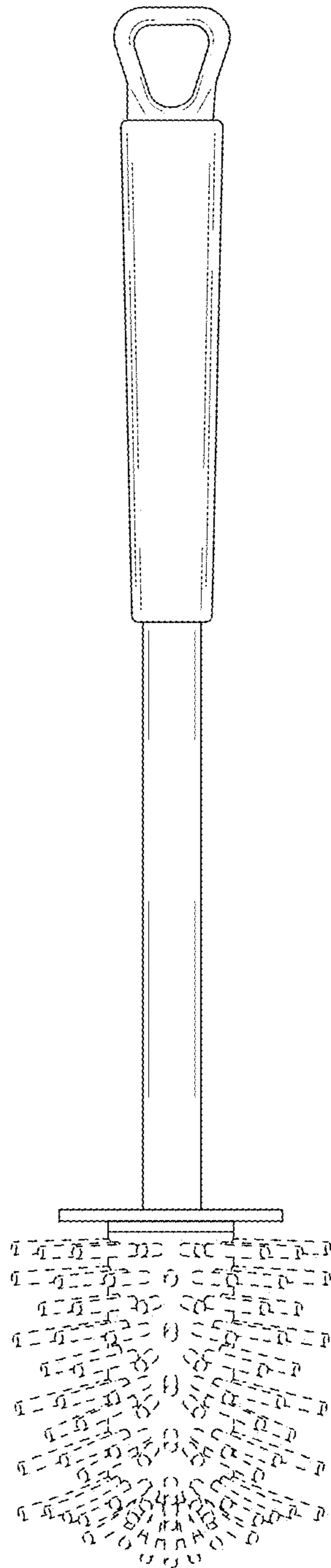


FIG.10

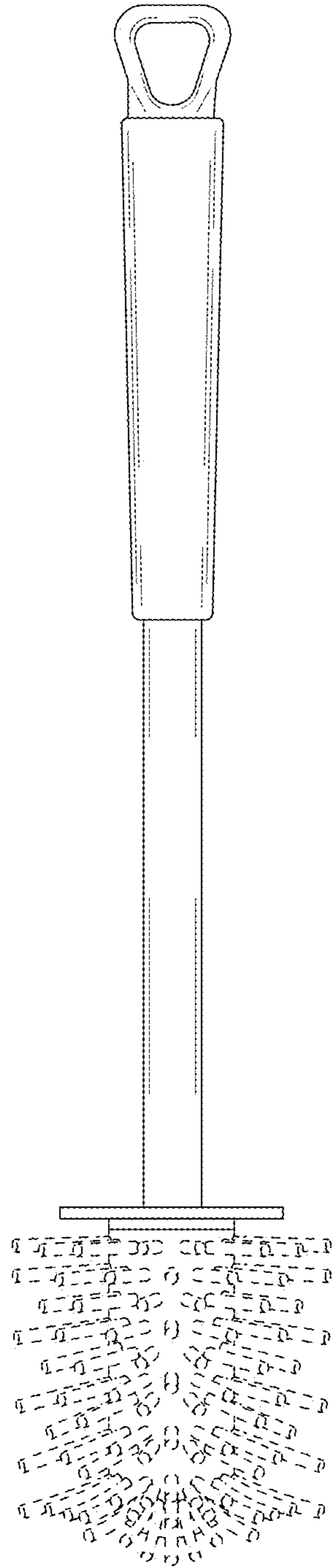


FIG. 11

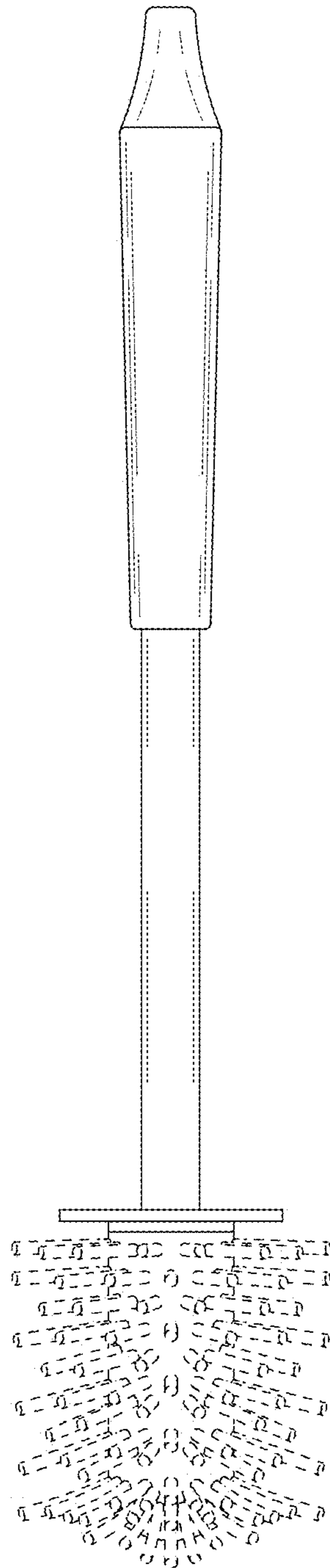


FIG.12

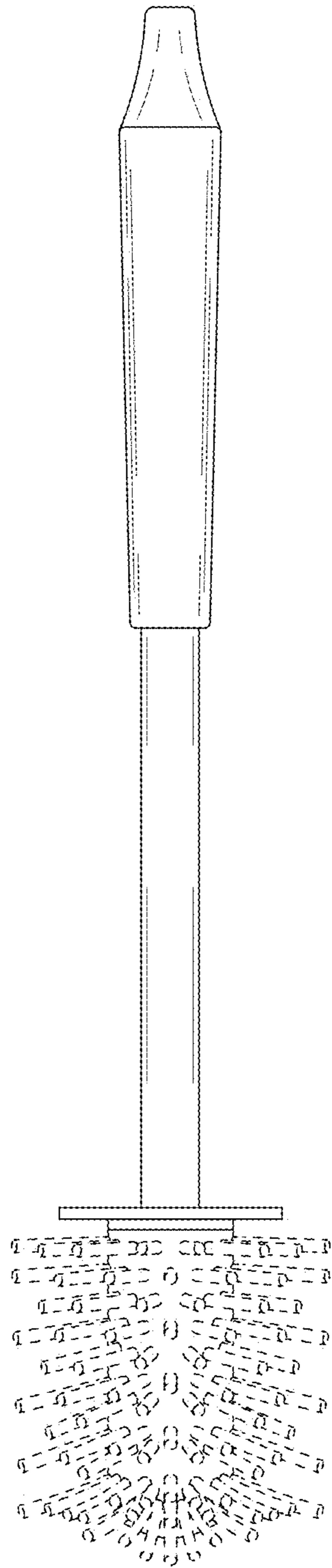


FIG.13

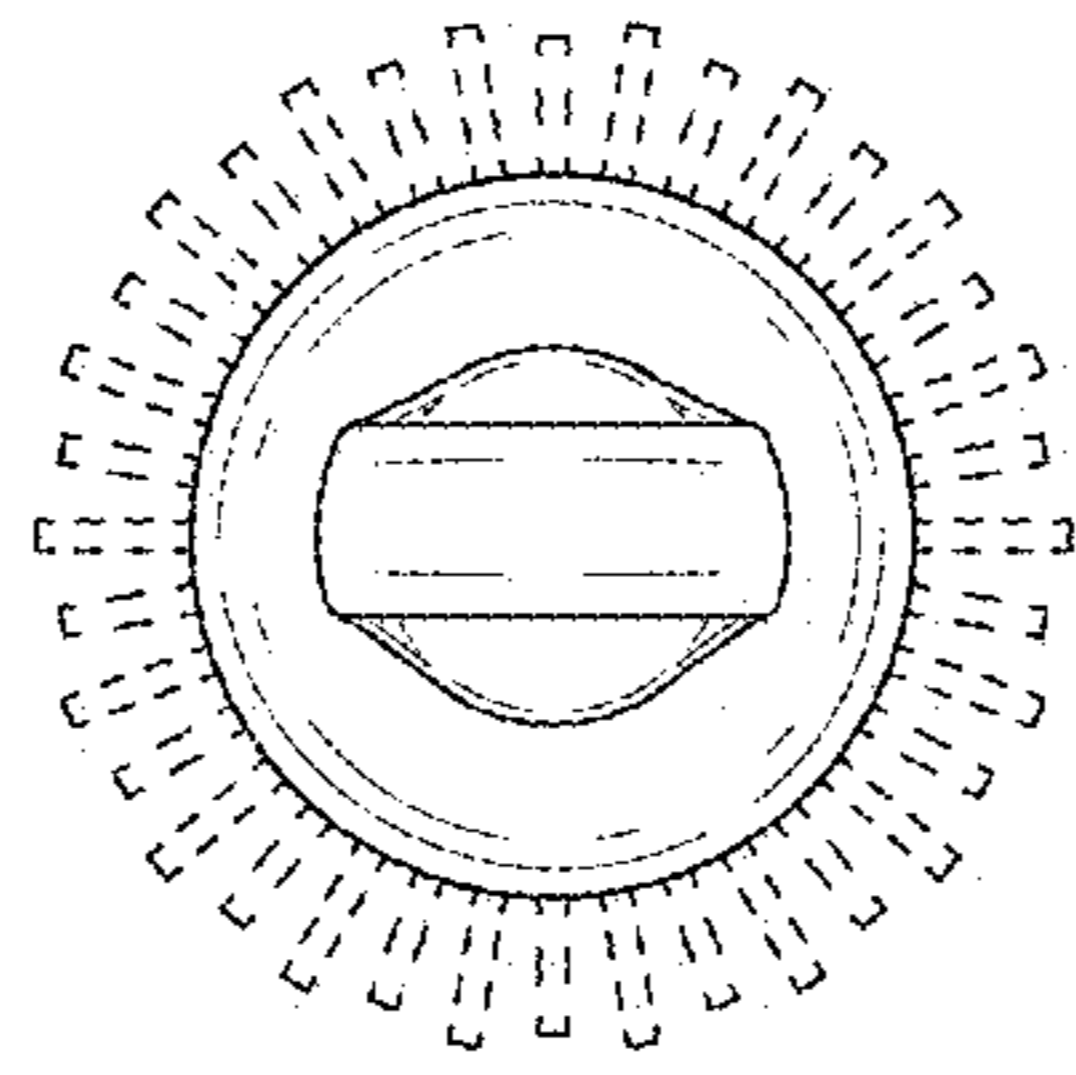


FIG.14



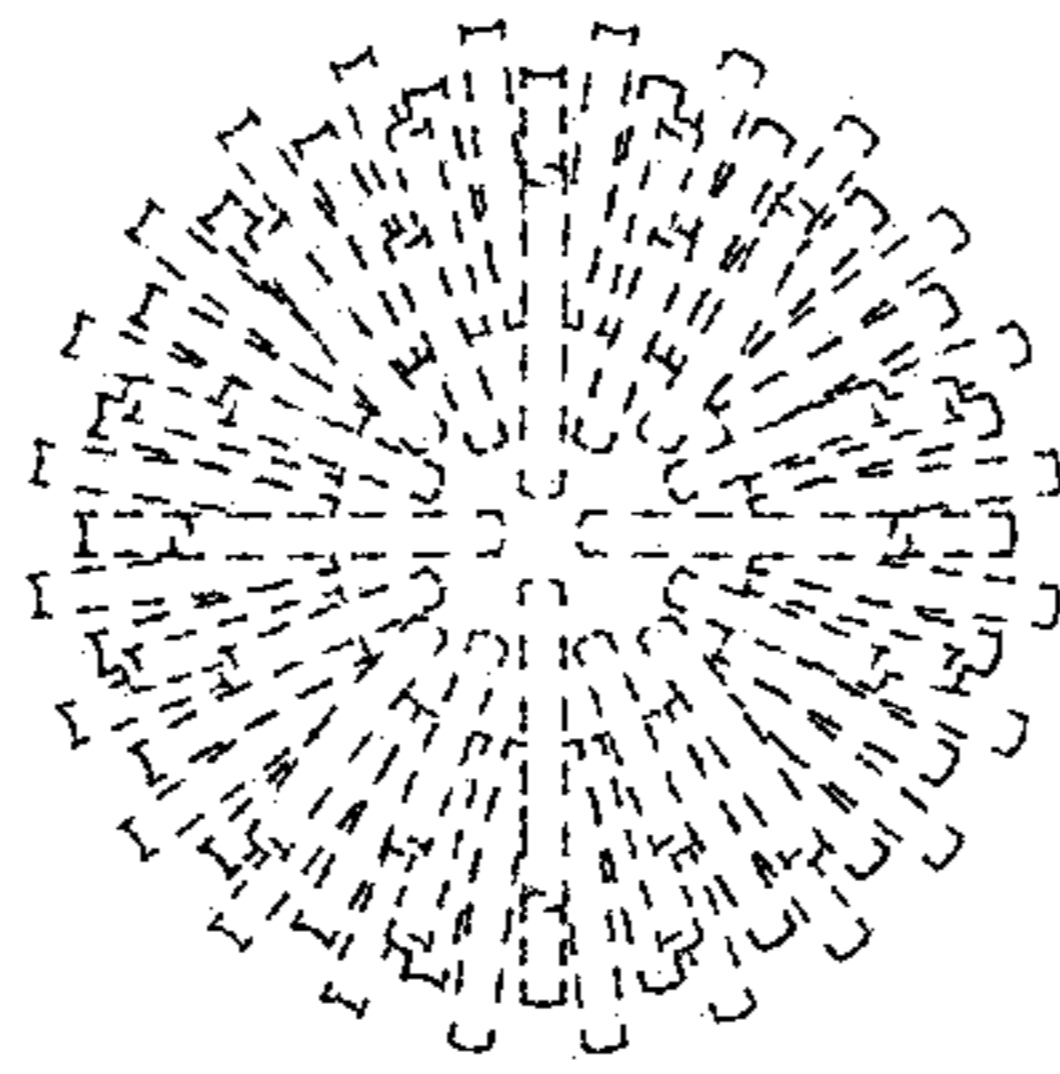


FIG.15

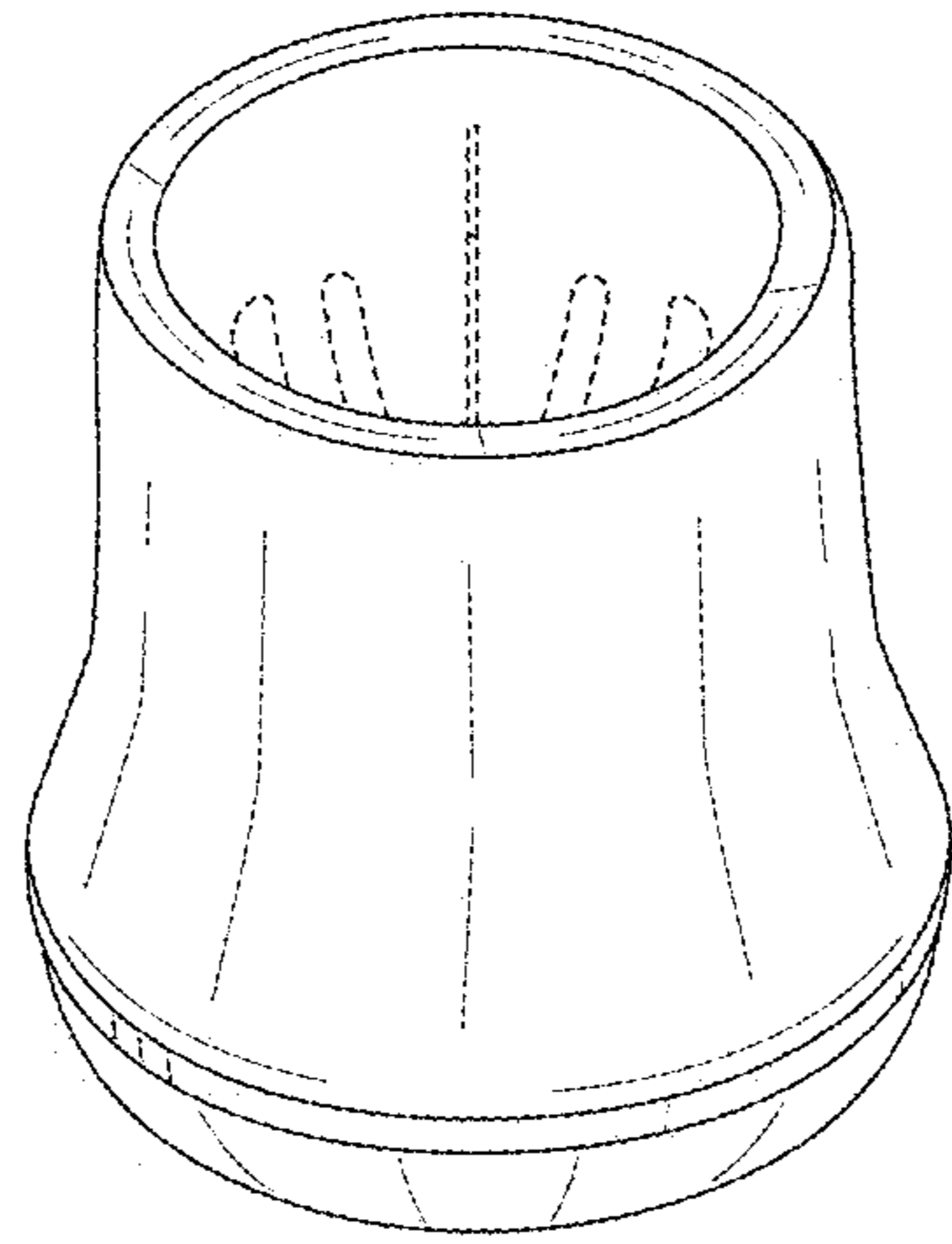


FIG.16

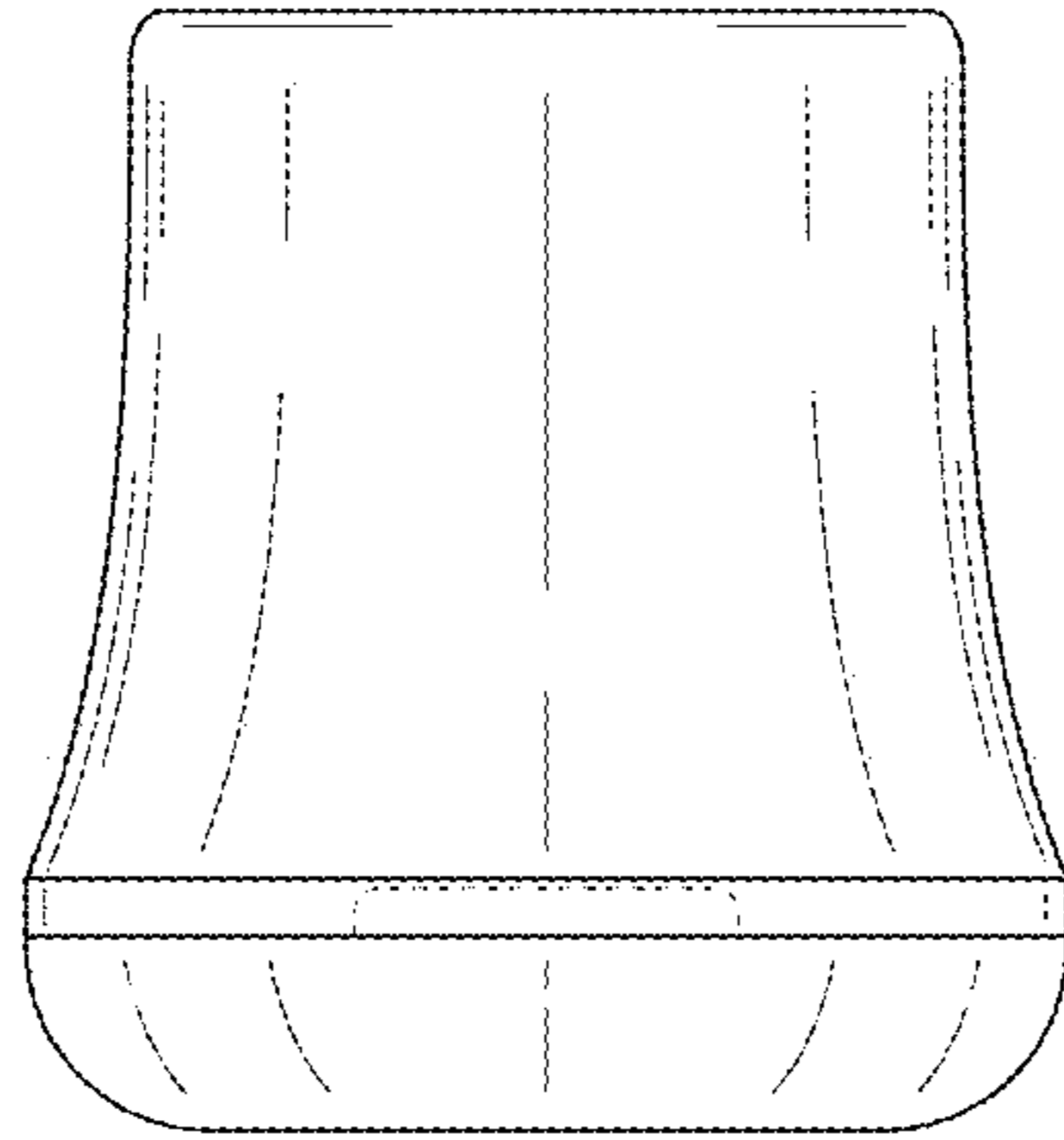


FIG.17

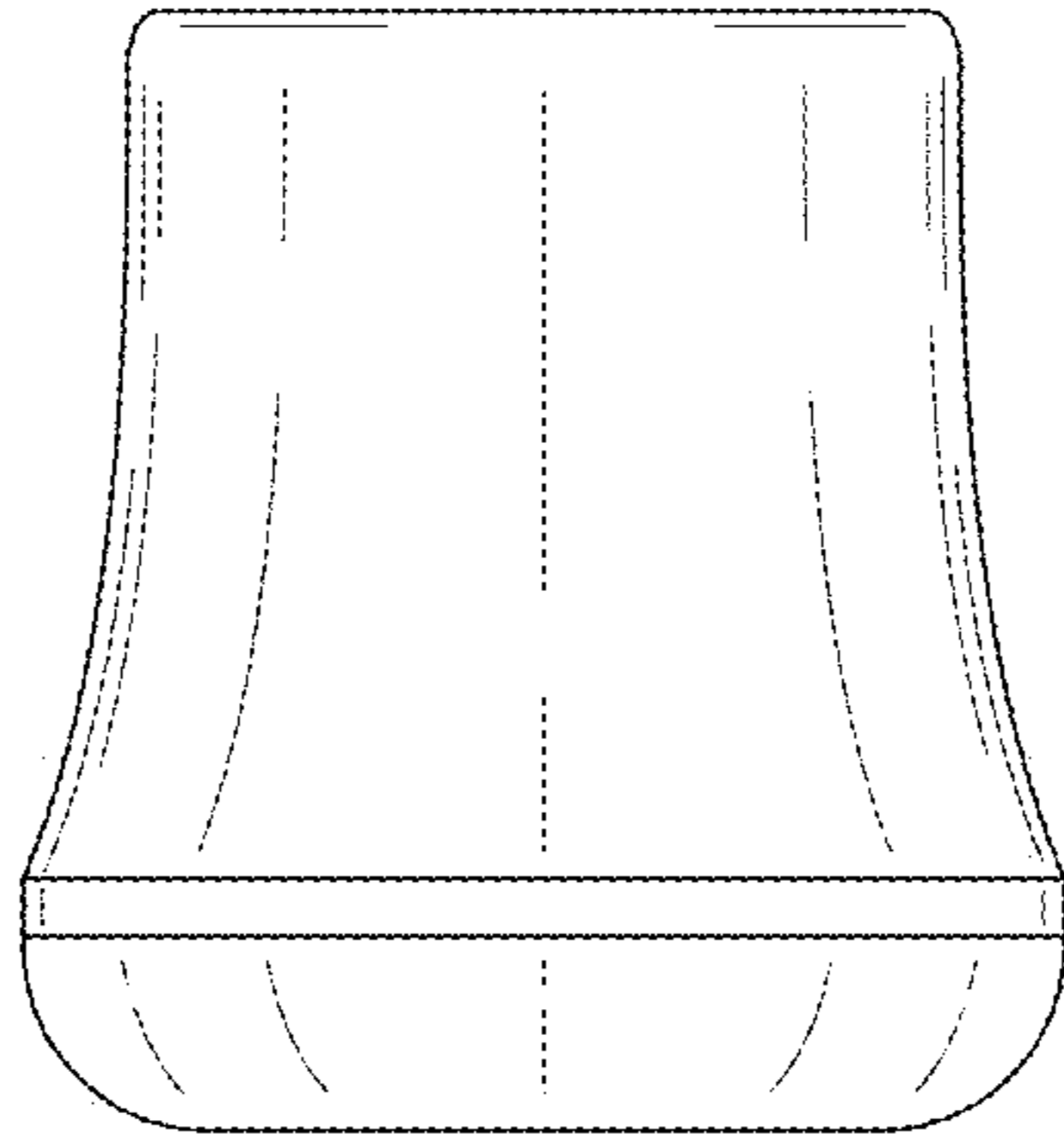


FIG.18

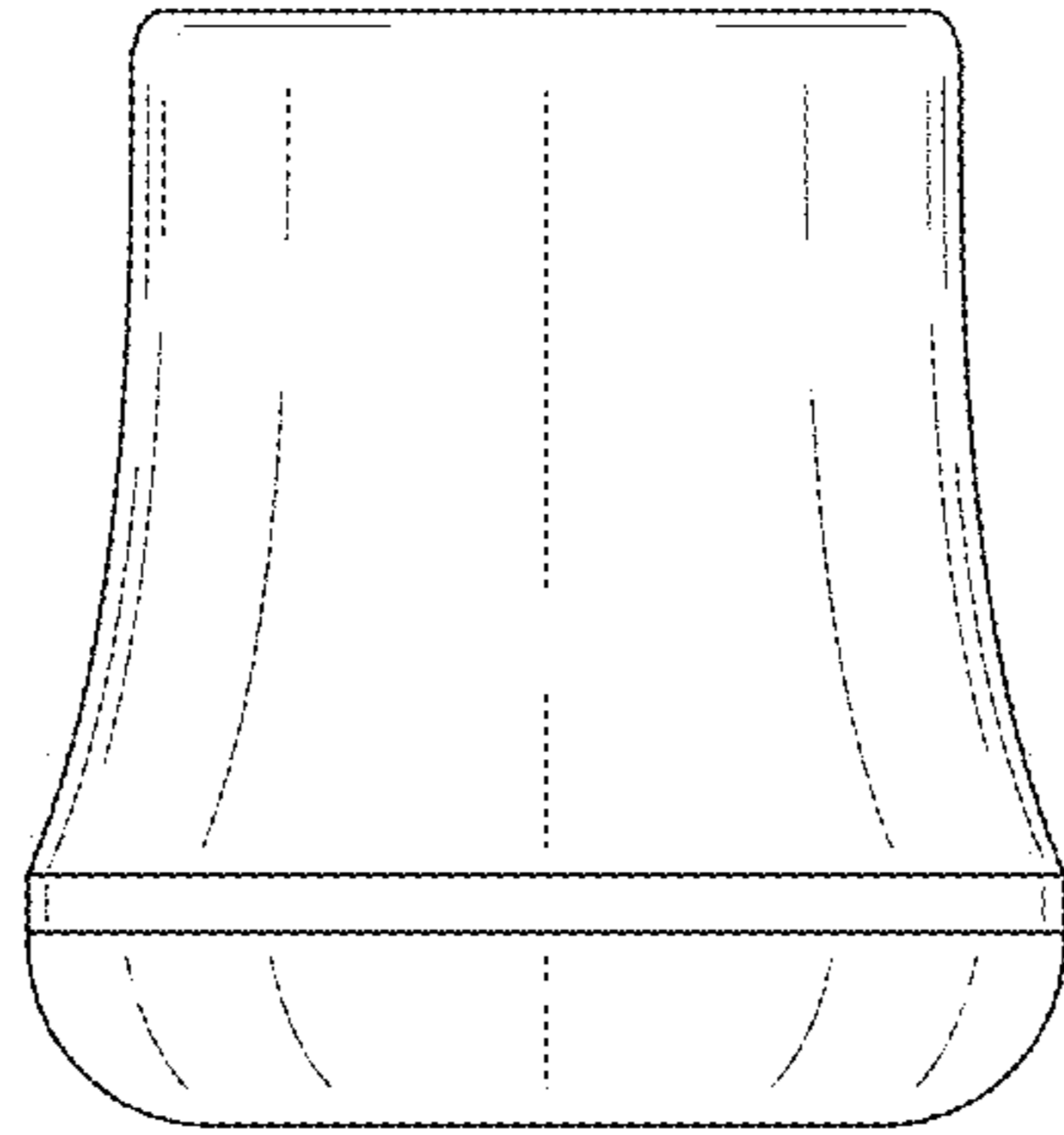


FIG. 19

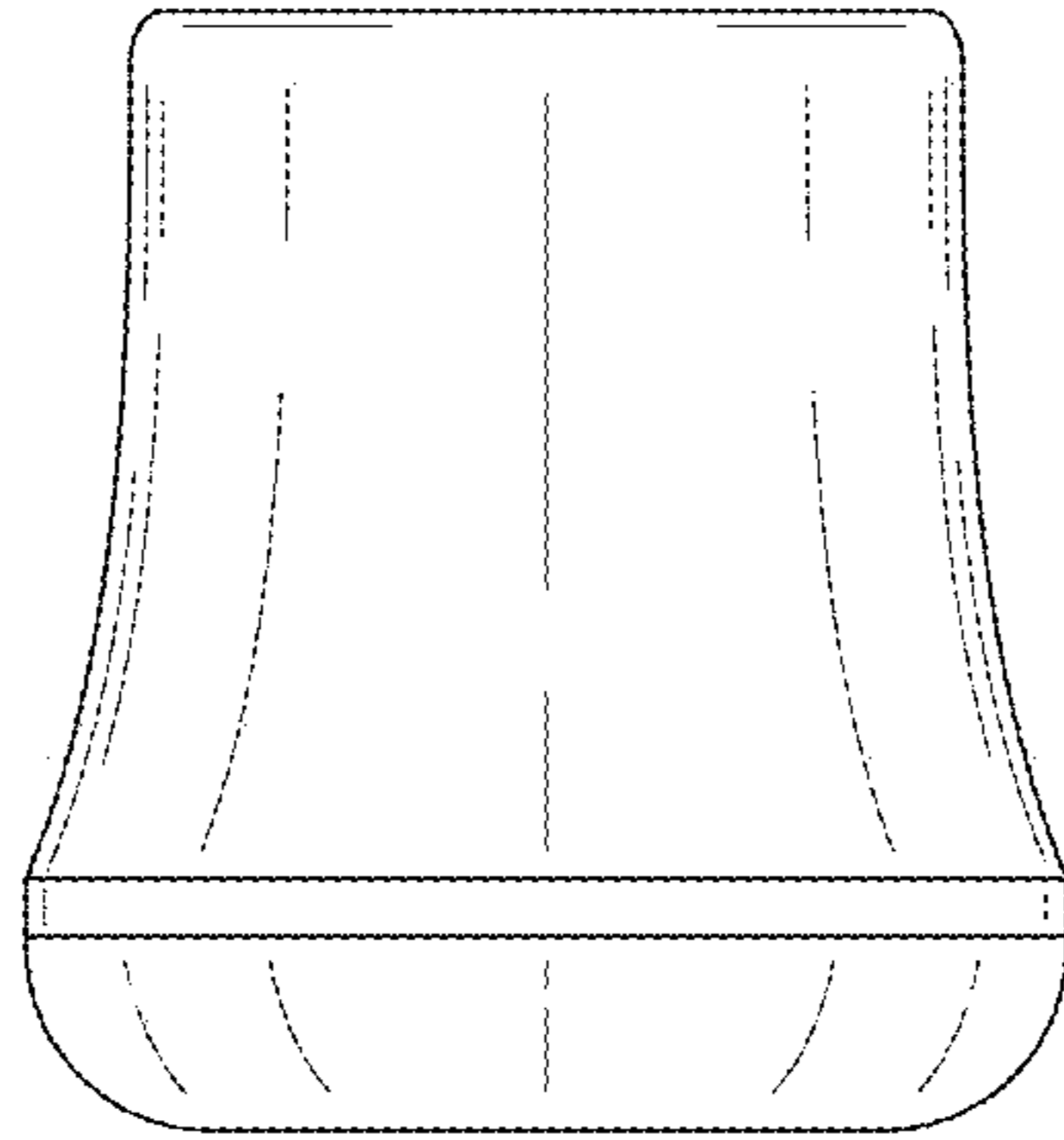


FIG.20

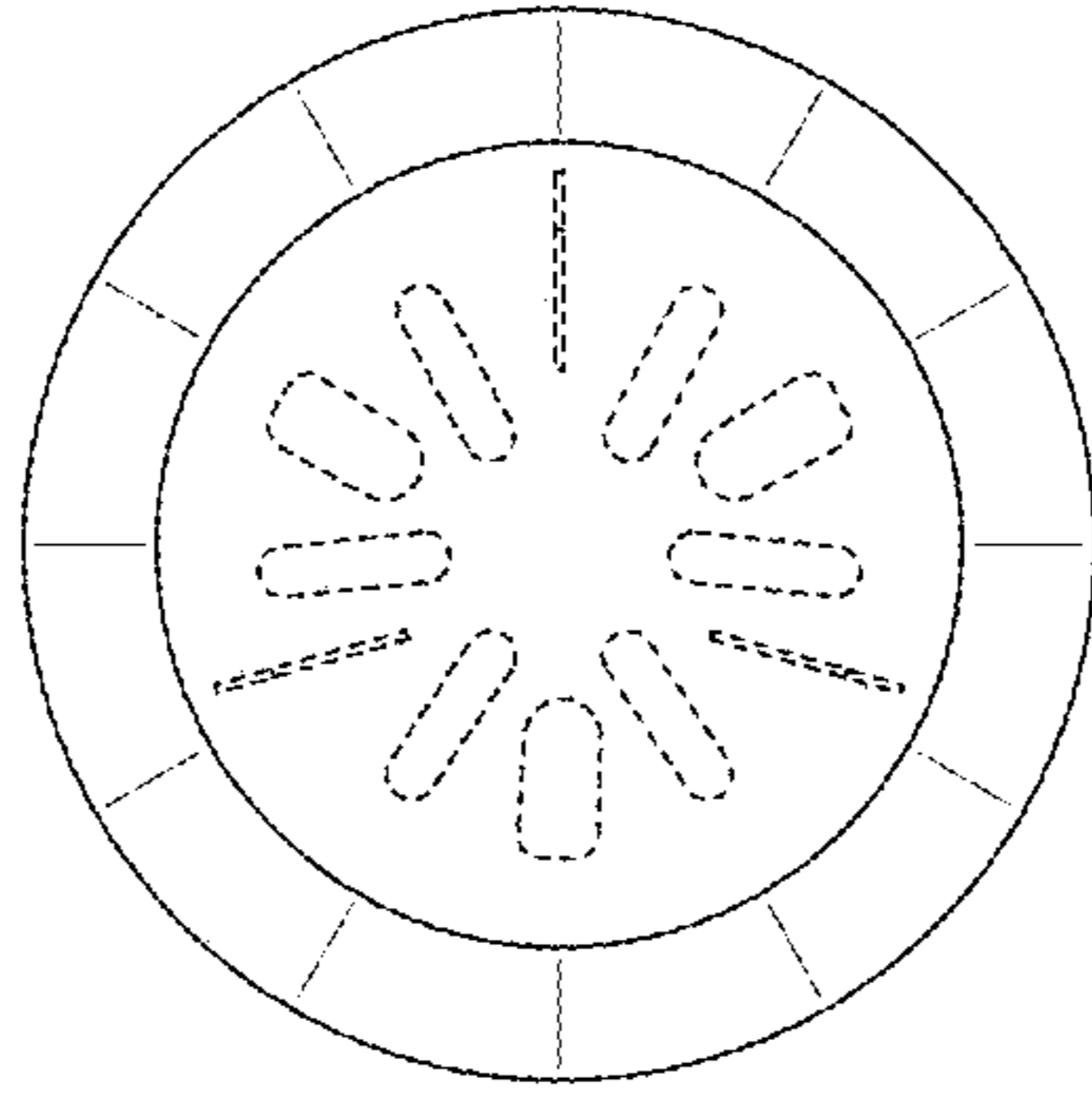


FIG.21

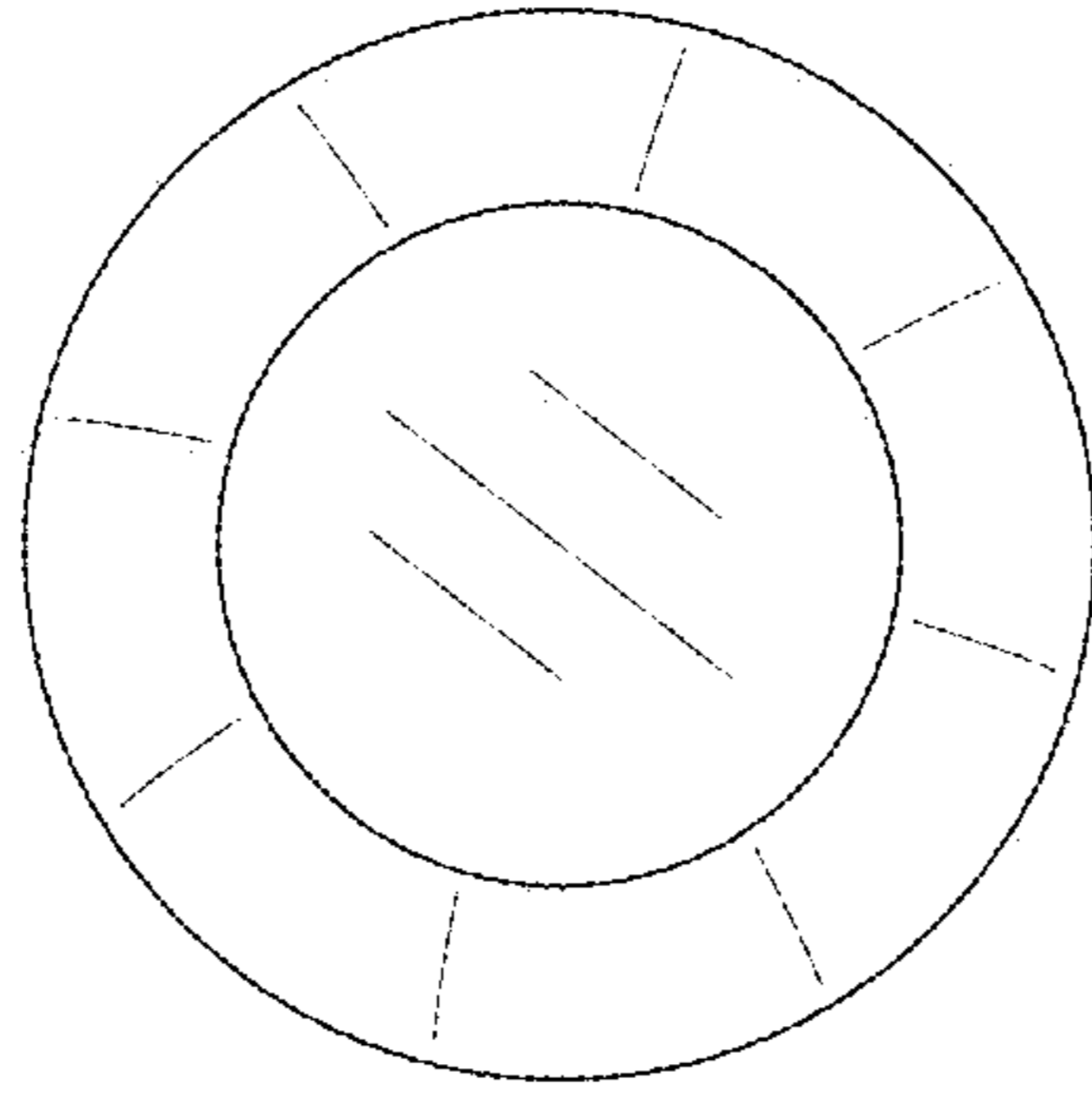


FIG.22