



US00D927216S

(12) **United States Design Patent**
Warren et al.

(10) **Patent No.:** **US D927,216 S**

(45) **Date of Patent:** **** Aug. 10, 2021**

(54) **SEAT**

FOREIGN PATENT DOCUMENTS

(71) Applicant: **Telescope Casual Furniture, Inc.**,
Granville, NY (US)

CH 422252 A 5/1965
DE 3305565 10/1984

(Continued)

(72) Inventors: **Jacob S. Warren**, Granville, NY (US);
Sarah Warren, Granville, NY (US)

OTHER PUBLICATIONS

(73) Assignee: **TELESCOPE CASUAL
FURNITURE, INC.**, Granville, NY
(US)

Wexler Collection, designed by Jacob Warren and Sarah Warren,
available from Telescope Casual Furniture, Granville, New York,
2019 Telescope Casual Furniture Catalog cover page, pp. 10-13, and
rear page, Jul. 1, 2018.

(Continued)

(**) Term: **15 Years**

Primary Examiner — R. Johnson

(21) Appl. No.: **29/692,098**

(74) *Attorney, Agent, or Firm* — Heslin Rothenberg
Farley & Mesiti P.C.

(22) Filed: **May 22, 2019**

(57) **CLAIM**

(51) **LOC (13) Cl.** **06-01**

The ornamental design for a seat, as shown and described.

(52) **U.S. Cl.**

DESCRIPTION

USPC **D6/379**

(58) **Field of Classification Search**

USPC D6/334, 349, 369, 374–376, 379–382,
D6/711, 708.16, 716.1

CPC A47C 3/04; A47C 3/12; A47C 5/04; A47C
5/12; A47C 5/14; A47C 7/02; A47C 7/16;
A47C 7/18; A47C 7/24; A47C 11/00;
A47C 15/002; A47C 17/02

See application file for complete search history.

FIG. 1 is a perspective view of a seat in accordance with the
new design;
FIG. 2 is a front elevational view thereof;
FIG. 3 is a right side elevational view thereof;
FIG. 4 is a left side elevational view thereof;
FIG. 5 is a rear elevational view thereof;
FIG. 6 is a top view thereof;
FIG. 7 is another perspective view of the seat thereof;
FIG. 8 is another perspective view of the seat thereof having
indeterminate width; and,
FIG. 9 is another perspective view of the seat thereof having
indeterminate width.

The evenly spaced broken lines in the figures are for
illustration purposes only and form no part of the claimed
design, and the dash-dot-dash lines depict the boundary of
the claim. The breakaway lines in FIGS. 8 and 9 indicate a
symbolic break in the width of the design indicating no
specific width. The appearance of any portion of the article
between the break lines forms no part of the claimed design.

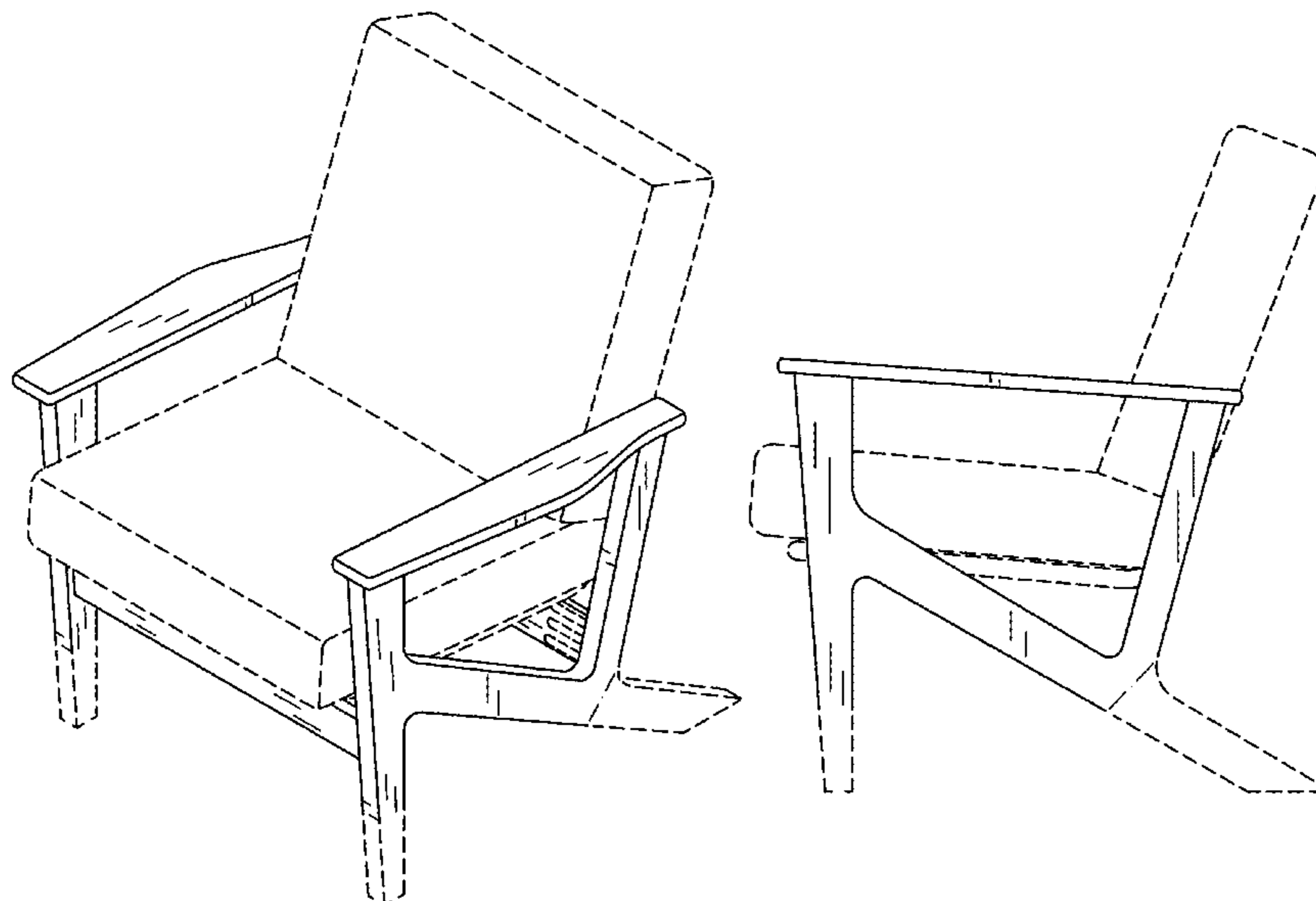
(56) **References Cited**

U.S. PATENT DOCUMENTS

151,873 A 6/1874 Grant
164,248 A 6/1875 Andrews
198,922 A 1/1878 June
222,190 A 12/1879 Jackson
222,403 A 12/1879 How
329,201 A 10/1885 Munger

(Continued)

1 Claim, 9 Drawing Sheets



(56)

References Cited

U.S. PATENT DOCUMENTS

451,776 A 5/1891 Sauder
 945,510 A 1/1910 Fullan
 1,125,359 A 1/1915 McDowell
 D183,887 S * 11/1958 Jensen D6/369
 2,955,646 A 10/1960 Briggs
 3,003,817 A 10/1961 King
 3,054,643 A 9/1962 Militano
 D193,843 S * 10/1962 Ohlsson D6/379
 3,205,008 A 9/1965 Murray et al.
 3,230,012 A 1/1966 Beckman et al.
 3,674,068 A 7/1972 Lucci
 D233,494 S * 11/1974 Bolyos D6/373
 4,302,048 A 11/1981 Yount
 4,318,570 A 3/1982 Adam et al.
 4,395,071 A 7/1983 Laird
 5,112,110 A 5/1992 Perkins
 D332,355 S * 1/1993 Maruya D6/368
 5,509,720 A 4/1996 Croom
 5,762,440 A 6/1998 Bedouch
 5,769,500 A 6/1998 Holbrook
 6,779,849 B1 8/2004 Harper et al.
 7,140,689 B2 11/2006 Zheng
 D648,557 S * 11/2011 Frinier D6/369
 8,087,730 B2 1/2012 Leng
 8,511,753 B2 8/2013 Huang
 8,528,979 B2 9/2013 College
 D690,952 S * 10/2013 Becker D6/379
 D708,452 S * 7/2014 Garcia D6/379
 8,931,849 B2 1/2015 Kusch et al.
 9,161,629 B2 10/2015 Huang
 9,265,350 B2 2/2016 Davotian
 D792,121 S * 7/2017 Pedersen A47C 1/124
 D802,958 S * 11/2017 Lowsky D6/379
 9,810,253 B2 11/2017 Koelling
 D805,316 S * 12/2017 Lowsky D6/379
 D814,821 S * 4/2018 Velez D6/379
 D848,172 S * 5/2019 Tham D6/370
 D865,425 S * 11/2019 Snowden D6/717
 2014/0270932 A1 9/2014 Tseng
 2017/0164745 A1 6/2017 Huang

FOREIGN PATENT DOCUMENTS

DE 29511436 11/1995
 FR 799576 A 6/1936

FR 1097948 7/1955
 FR 2574876 6/1986
 FR 3010749 4/2016

OTHER PUBLICATIONS

Hampton Marine Grade Polymer Outdoor Furniture, available from Windward Design Group, Sarasota, Florida, 6-pages, Sep. 28, 2012.
 Adirondack MGP Chair, available from Telescope Casual Furniture, Granville, New York, 2016 Telescope Casual Furniture Catalog cover page, p. 22, p. 23, and rear page, Jul. 1, 2015.
 Adirondack MGP Sling, available from Telescope Casual Furniture, Granville, New York, 2016 Telescope Casual Furniture Catalog cover page, p. 40, p. 41, and rear page, Jul. 1, 2015.
 Hudson Chair, available from Telescope Casual Furniture, Granville, New York, 2019 Telescope Casual Furniture Catalog cover page, pp. 30-33, and rear page, Jul. 1, 2018.
 Windward Deep Seat Collection, available from Telescope Casual Furniture, Granville, New York, 2010 Telescope Casual Furniture Catalog cover page, pp. 2-5, and rear page, Jul. 1, 2009.
 Windward Sling Collection, available from Telescope Casual Furniture, Granville, New York, 2010 Telescope Casual Furniture Catalog cover page, pp. 29-30, and rear page, Jul. 1, 2009.
 Kingston Solid MGP Dining Chair, available from Windward Design Group, Sarasota, Florida, (Wayback Verification Crawl presence date Apr. 28, 2017, <https://web.archive.org/web/20170428035343/http://www.windwarddesigngroup.com/>). 6 pages, Apr. 28, 2017.
 Telescope Casual 2016 Catalog, Telescope Casual Furniture, Inc., Granville, New York, 100 pages, Jul. 1, 2015.
 Telescope Casual 2017 Catalog, Telescope Casual Furniture, Inc., Granville, New York, 100 pages Jul. 1, 2016.
 Telescope Casual 2018 Catalog, Telescope Casual Furniture, Inc., Granville, New York, 100 pages Jul. 1, 2017.
 Telescope Casual 2019 Catalog, Telescope Casual Furniture, Inc., Granville, New York, 100 pages Jul. 1, 2018.
 Jacob S. Warren and Sarah Warren, Utility Design U.S. Appl. No. 29/693,652, filed Jun. 4, 2019 Jun. 4, 2019.
 Jacob S. Warren, Utility U.S. Appl. No. 16/431,380, filed Jun. 4, 2019 Jun. 4, 2019.
 Arcadia Chair, available from Rejuvenation, Portland, Oregon, Kalie Eyman, "5 Ways to Prep Your Home for Spring" printout available on Jun. 3, 2019, at <https://ideas.rejuvenation.com/prep-for-spring/>, 7 pages, Mar. 15, 2019.

* cited by examiner

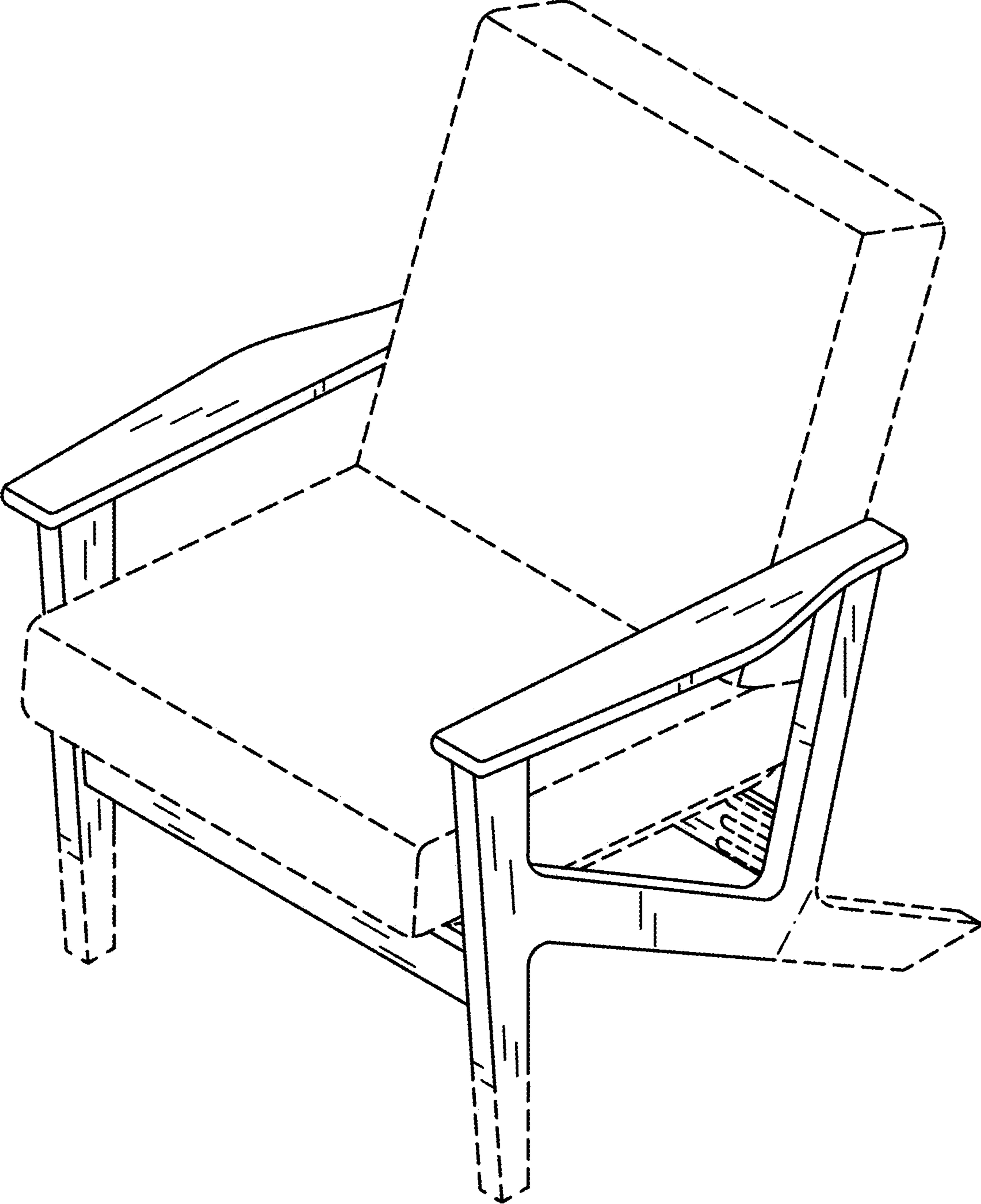


FIG. 1

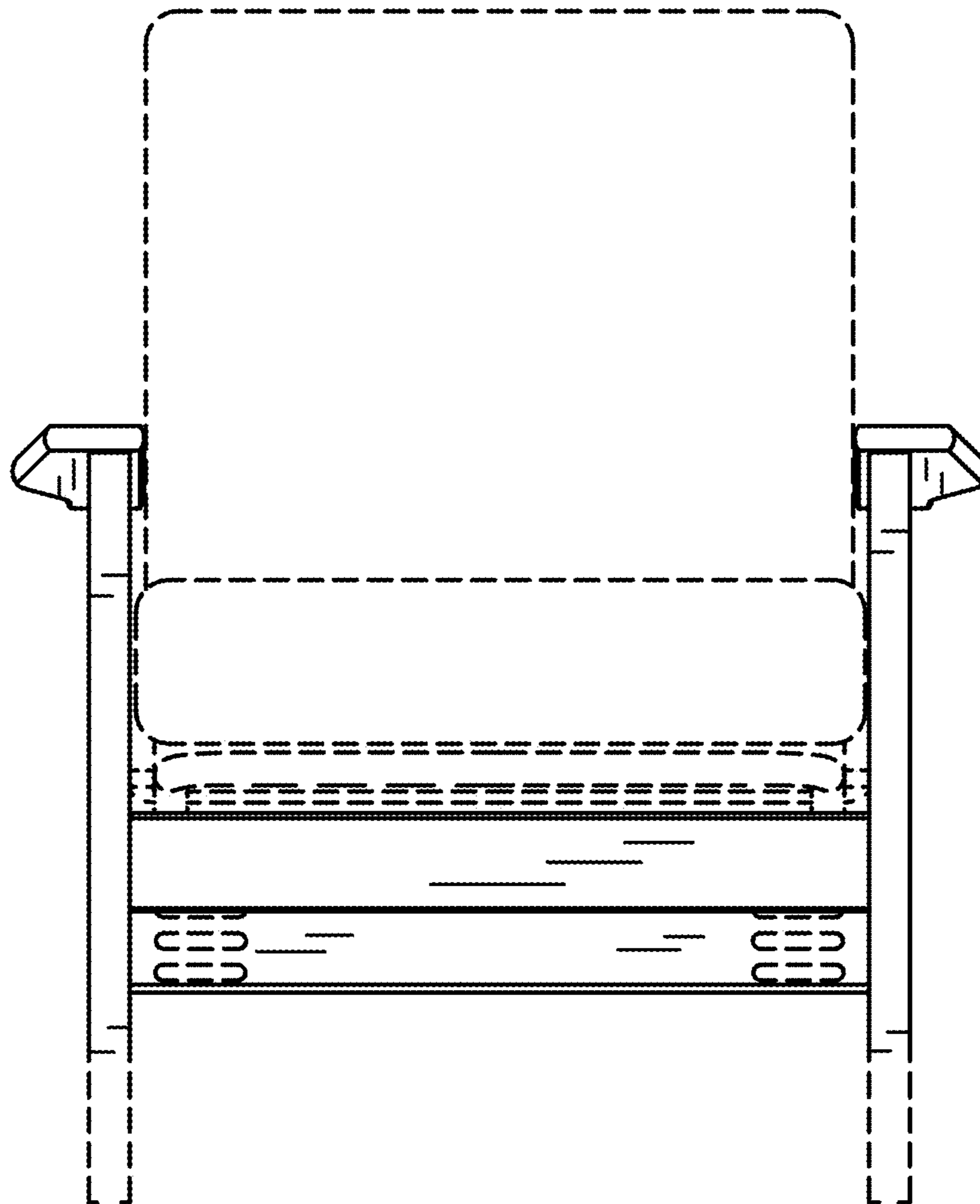


FIG. 2

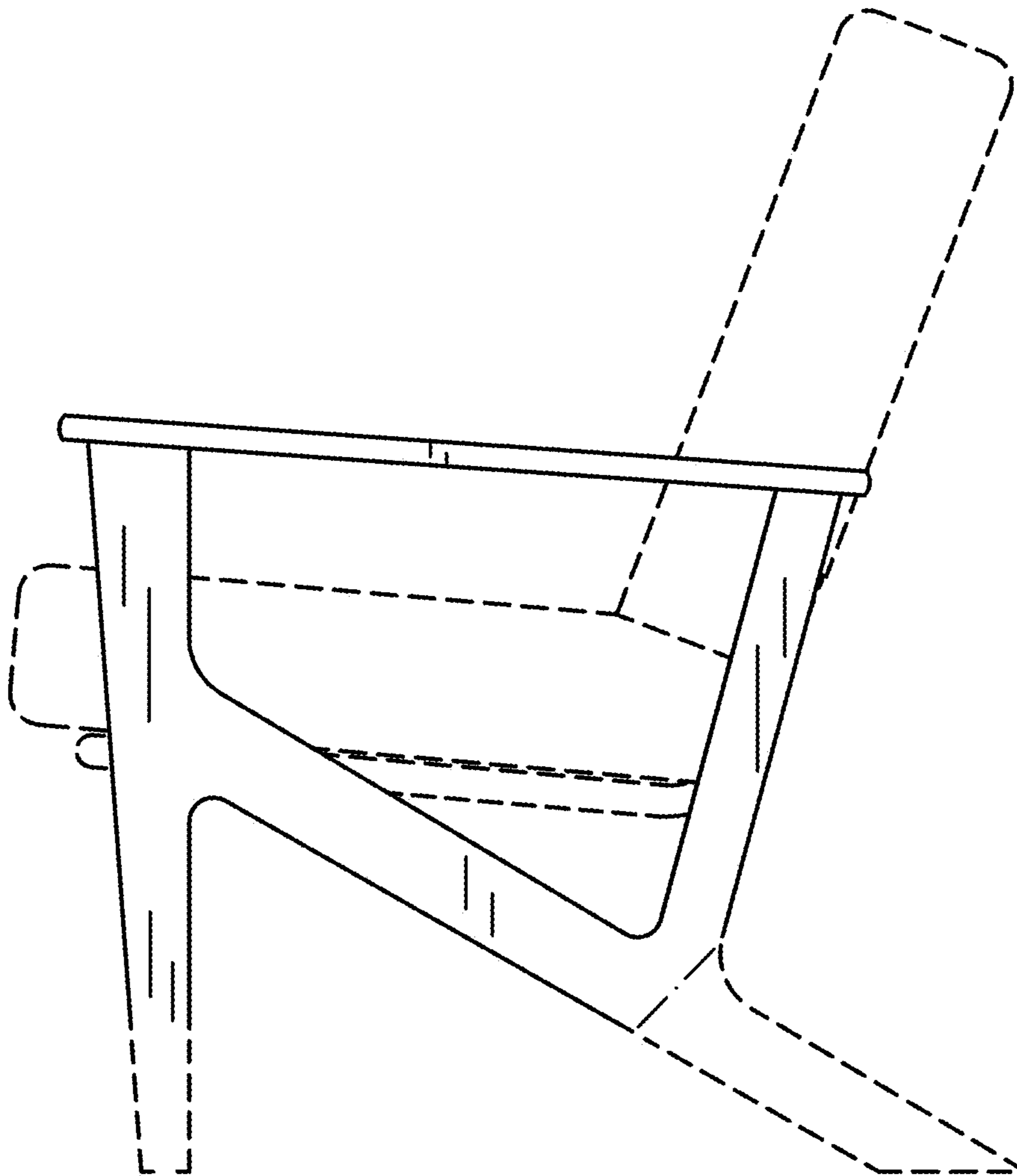


FIG. 3

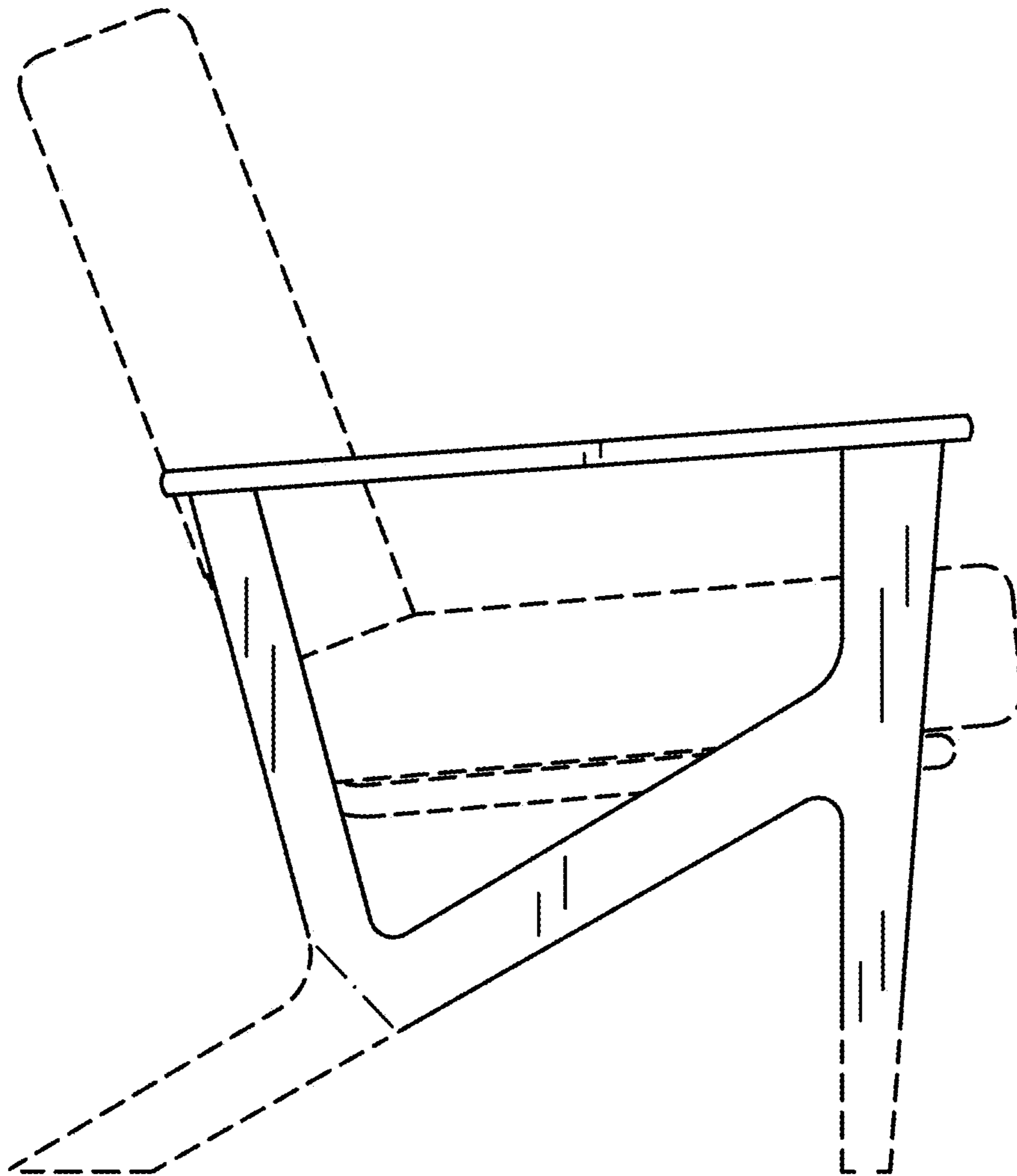


FIG. 4

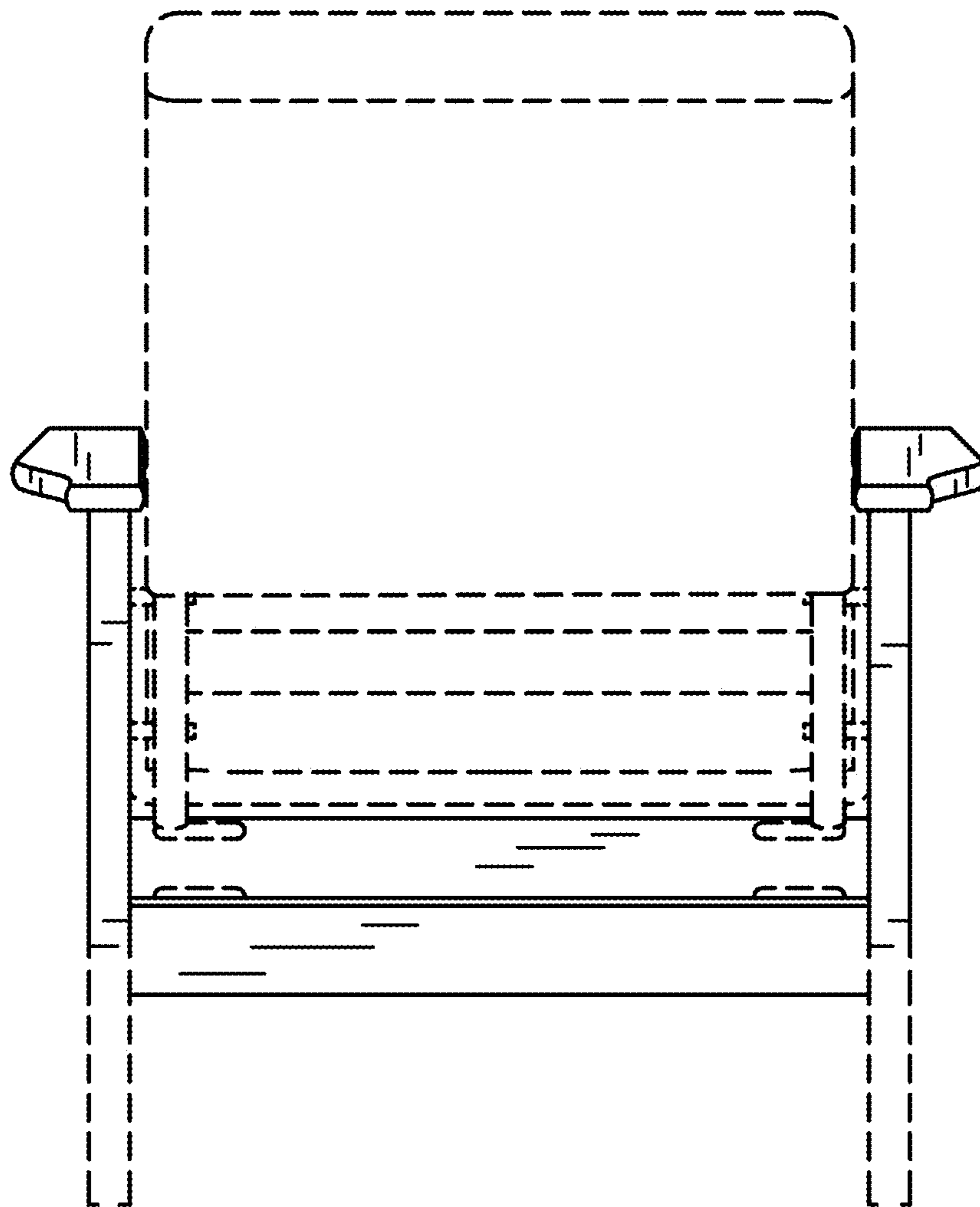


FIG. 5

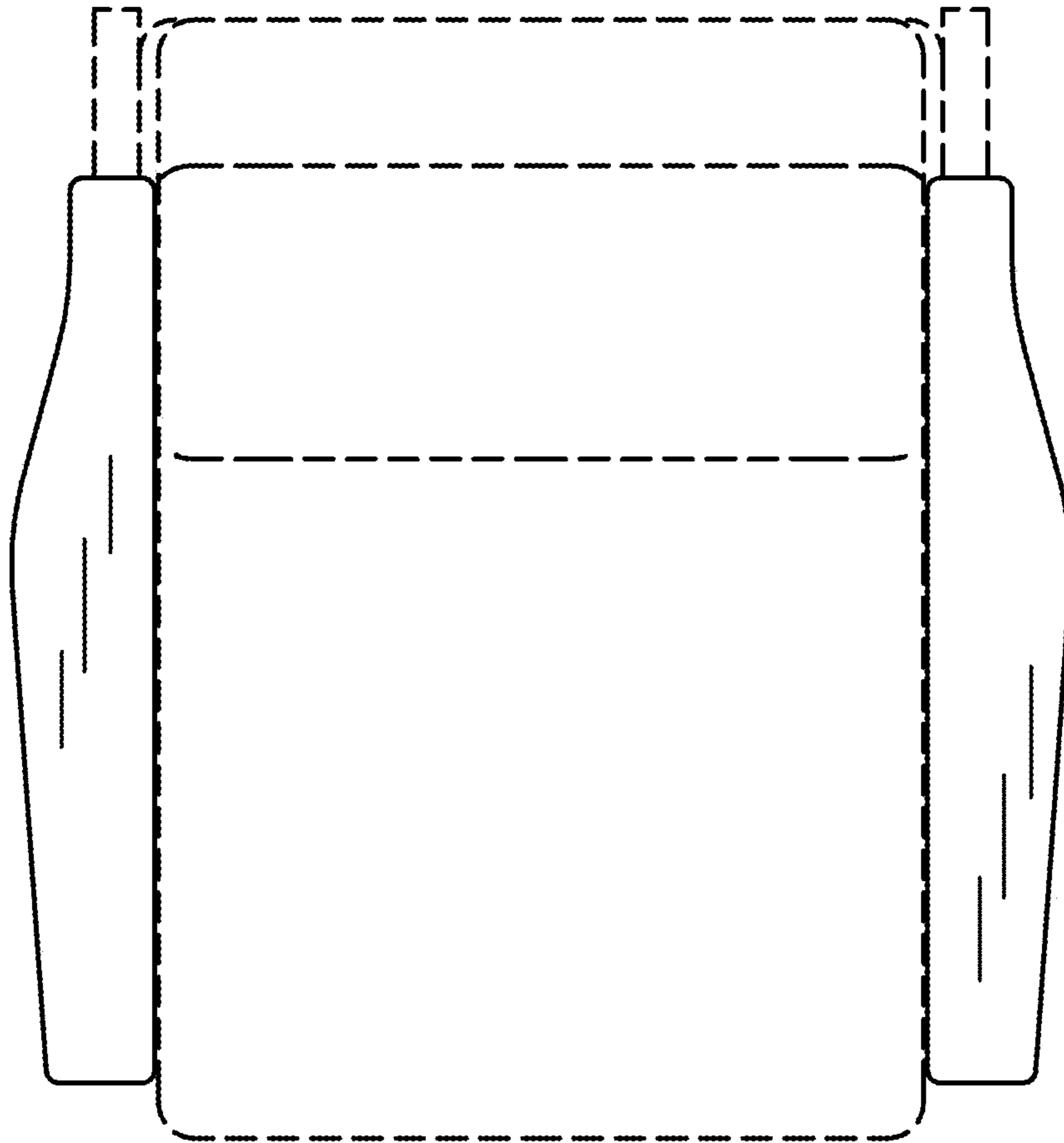


FIG. 6

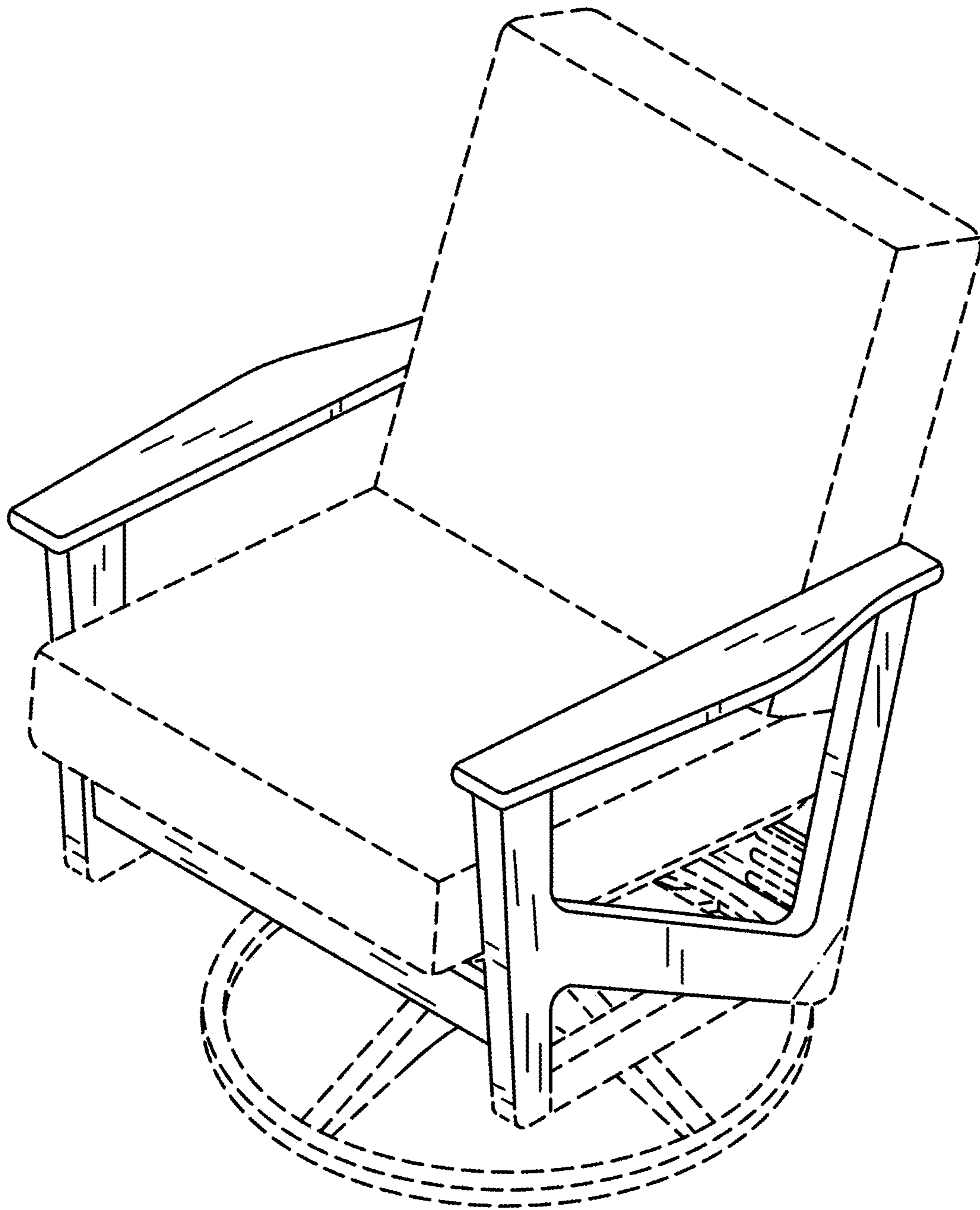


FIG. 7

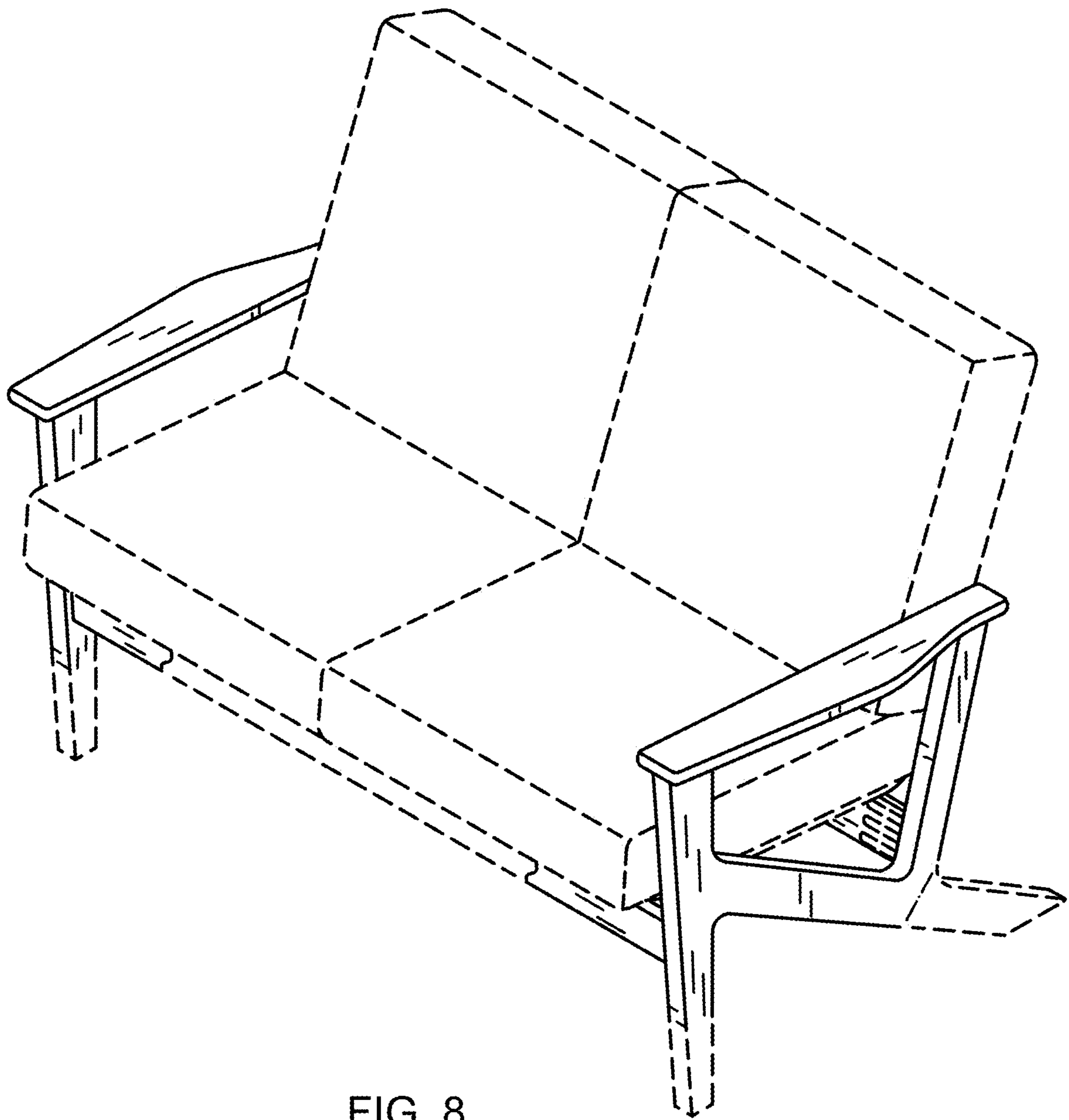


FIG. 8

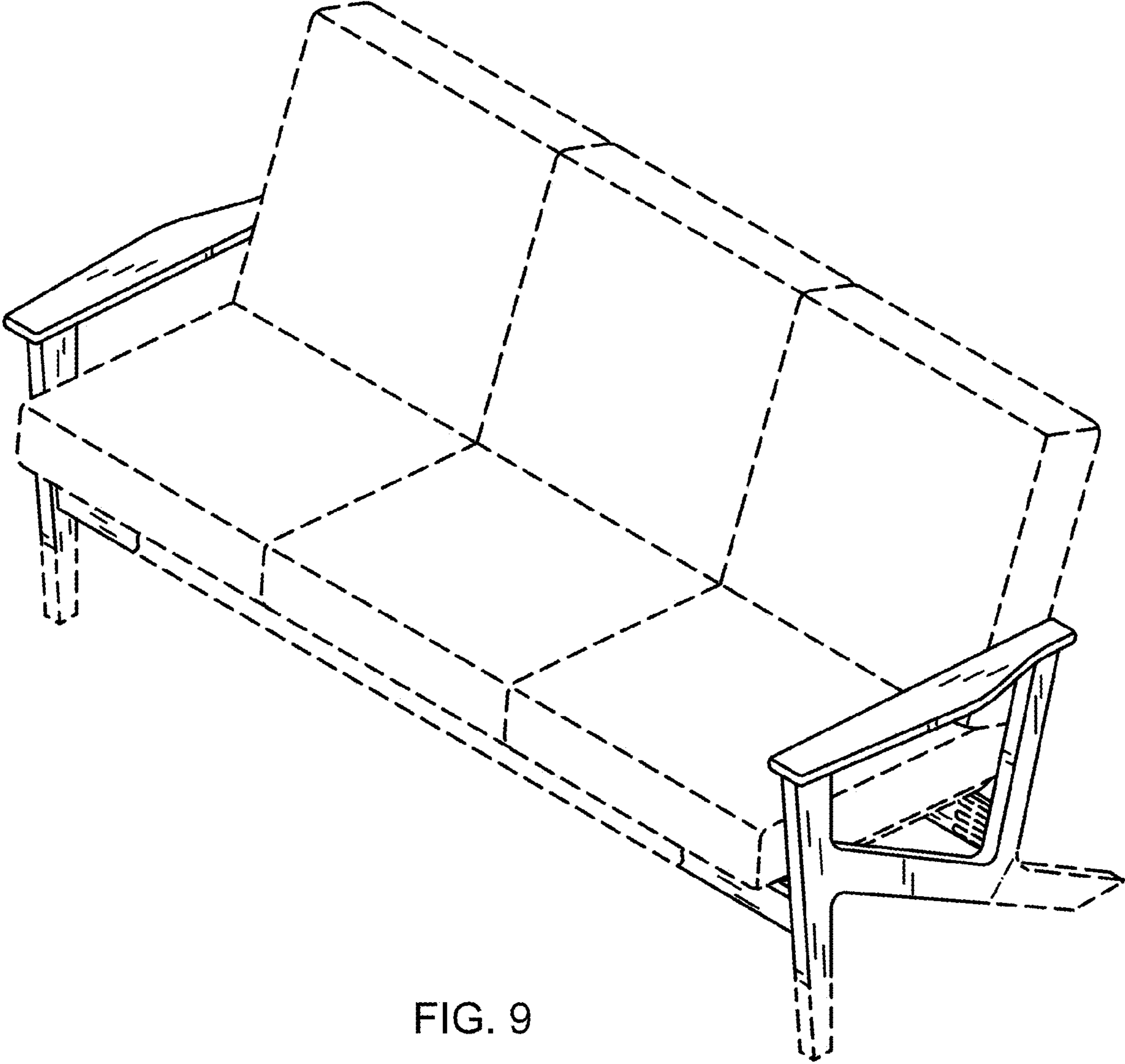


FIG. 9