



US00D927209S

(12) **United States Design Patent**
Velez

(10) **Patent No.:** **US D927,209 S**

(45) **Date of Patent:** **** Aug. 10, 2021**

(54) **CHAIR**

(71) Applicant: **HOLLY HUNT ENTERPRISES, INC.**, Chicago, IL (US)

(72) Inventor: **Alberto Velez**, Chicago, IL (US)

(73) Assignee: **HOLLY HUNT ENTERPRISES, INC.**

(**) Term: **15 Years**

(21) Appl. No.: **29/711,105**

(22) Filed: **Oct. 29, 2019**

(51) **LOC (13) Cl.** **06-01**

(52) **U.S. Cl.**
USPC **D6/364**

(58) **Field of Classification Search**
USPC D6/334, 346, 349, 355, 360, 361, 362, D6/363, 364, 365, 366, 367, 368, 371, D6/372, 374, 375, 379, 380, 716.4
CPC A47C 3/00; A47C 3/12; A47C 3/20; A47C 3/32; A47C 1/00; A47C 1/022; A47C 1/024; A47C 1/04; A47C 1/06; A47C 7/24; A47C 7/36; A47C 7/46; A47C 7/18; A47C 7/40; A47C 17/02
See application file for complete search history.

(56) **References Cited**

U.S. PATENT DOCUMENTS

D395,759 S *	7/1998	Smith	D6/334
D435,355 S *	12/2000	Peterson	D30/118
6,328,385 B1 *	12/2001	Lau	A47C 4/54
				297/452.41
D628,824 S *	12/2010	Vignelli	D6/364
D677,475 S	3/2013	Bellini		
D741,611 S *	10/2015	Lee	D6/364
D799,228 S *	10/2017	Lewis	D6/364
D845,016 S *	4/2019	Akkad	D6/364
D880,180 S *	4/2020	Czaja	D6/364

D881,590 S *	4/2020	Wanders	D6/334
D892,525 S *	8/2020	Killinger	D6/716
D898,494 S *	10/2020	King	D6/716

(Continued)

OTHER PUBLICATIONS

Holly Hunt website, <https://www.hollyhunt.com/ShowProduct.aspx?ProductID=8558&ManufacturerID=1>, retrieved Oct. 28, 2019, pp. 1.

(Continued)

Primary Examiner — R. Johnson

(74) *Attorney, Agent, or Firm* — The Belles Group, P.C.

(57) **CLAIM**

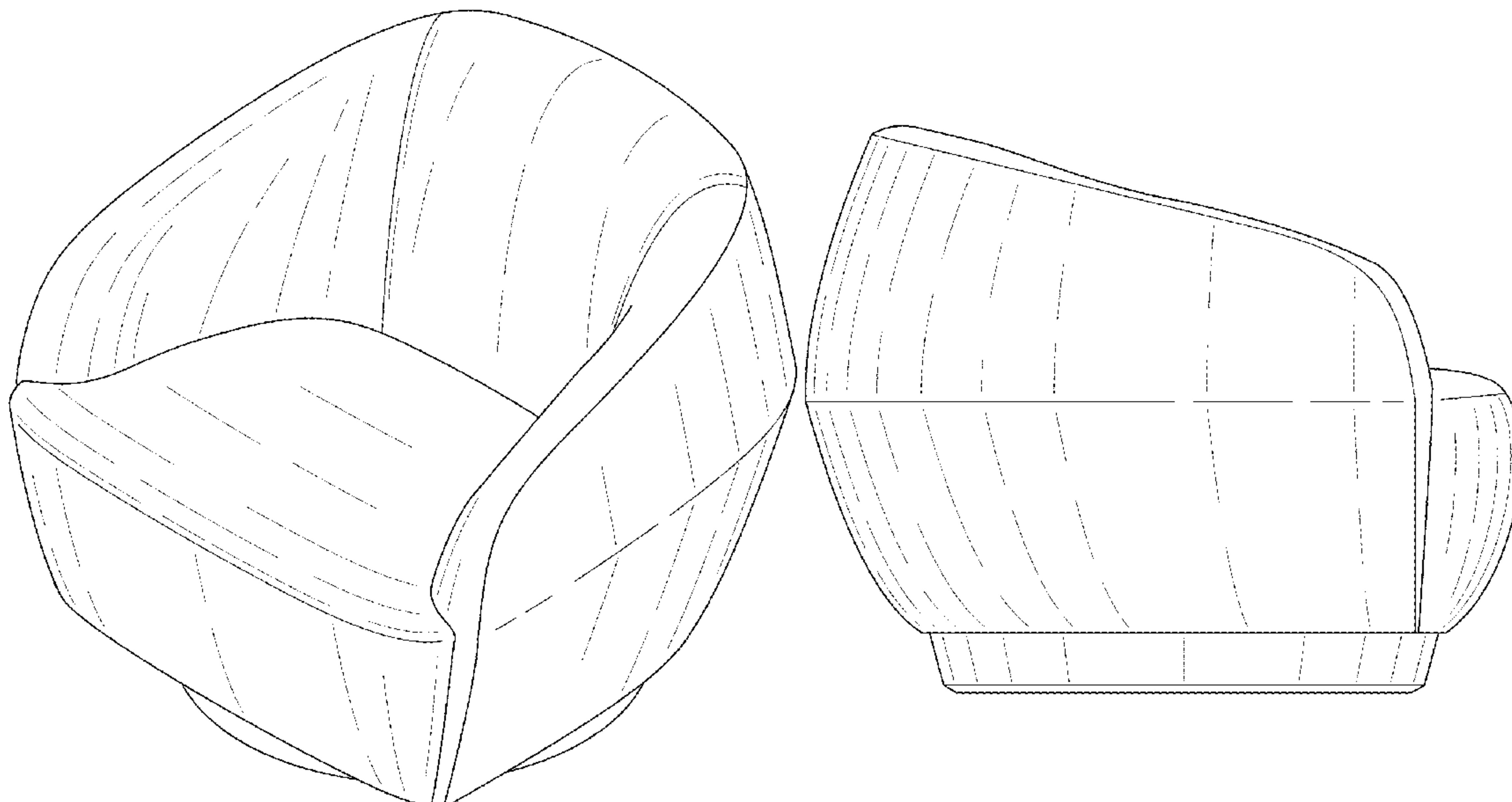
The ornamental design for a chair, as shown and described.

DESCRIPTION

FIG. 1 is a front perspective view of a chair according to a first embodiment of the new design;
FIG. 2 is a rear perspective view thereof;
FIG. 3 is a front view thereof;
FIG. 4 is a rear view thereof;
FIG. 5 is a right side view thereof;
FIG. 6 is a left side view thereof;
FIG. 7 is a top view thereof;
FIG. 8 is a bottom view thereof;
FIG. 9 is a front perspective view of a chair according to a second embodiment of the new design;
FIG. 10 is a rear perspective view thereof;
FIG. 11 is a front view thereof;
FIG. 12 is a rear view thereof;
FIG. 13 is a right side view thereof;
FIG. 14 is a left side view thereof;
FIG. 15 is a top view thereof; and,
FIG. 16 is a bottom view thereof.

The broken lines in the drawings illustrate portions of the chair that form no part of the claimed design.

1 Claim, 16 Drawing Sheets



(56)

References Cited

U.S. PATENT DOCUMENTS

D907,378 S * 1/2021 Lehanneur D6/334
2015/0028649 A1* 1/2015 George, II A47C 27/087
297/452.17

OTHER PUBLICATIONS

Holly Hunt website, <https://www.hollyhunt.com/ShowProduct.aspx?ProductID=7631&ManufacturerID=1>, retrieved Oct. 28, 2019, pp. 1.
Holly Hunt website, <https://www.hollyhunt.com/ShowProduct.aspx?ProductID=18055&ManufacturerID=1>, retrieved Oct. 28, 2019, pp. 1.
Holly Hunt website, <https://www.hollyhunt.com/ShowProduct.aspx?ProductID=10667&ManufacturerID=1>, retrieved Oct. 28, 2019, pp. 1.
Holly Hunt website, <https://www.hollyhunt.com/ShowProduct.aspx?ProductID=2601&ManufacturerID=1>, retrieved Oct. 28, 2019, pp. 1.
Holly Hunt website, <https://www.hollyhunt.com/ShowProduct.aspx?ProductID=21160&ManufacturerID=1>, retrieved Oct. 28, 2019, pp. 1.

Holly Hunt website, <https://www.hollyhunt.com/ShowProduct.aspx?ProductID=7778&ManufacturerID=1>, retrieved Oct. 28, 2019, pp. 1.
Holly Hunt website, <https://www.hollyhunt.com/ShowProduct.aspx?ProductID=12851&ManufacturerID=37>, retrieved Oct. 28, 2019, pp. 1.
West Elm website, https://www.westelm.com/products/cozy-swivel-chair-h3797/?catalogId=71&sku=6580525&cm_ven=PLA&cm_cat=Google&cm_pla=Furniture%20%3E%20Chairs%20%3E%20All%20Chairs&cm_ite=6580525&gclid=Cj0KCQjwrrXtBRCKARIsAMbU6bHCXnP9_QNhL6-YoUEJUbJnN-QUQAk814YVDPJ2egmlr3oNcqfsZnIaAuIxEALw_wcB, retrieved Oct. 28, 2019, pp. 1-5.
Rouse Home website, <https://www.rousehome.com/product/nidus-lounge-chair-wood-feet/>, retrieved Oct. 28, 2019, pp. 1-4.
Holly Hunt website, <https://www.hollyhunt.com/ShowProduct.aspx?ProductID=21843&ManufacturerID=40>, retrieved Oct. 28, 2019, pp. 1.
Coalesse website, <https://www.coalesse.com/products/seating/lounge-seating/joel-lounge-chair/>, retrieved Oct. 28, 2019, pp. 1-6.
Property Furniture website, <https://propertyfurniture.com/product/stay-swivel-lounge-chair/>, retrieved Oct. 28, 2019, pp. 1-14.

* cited by examiner

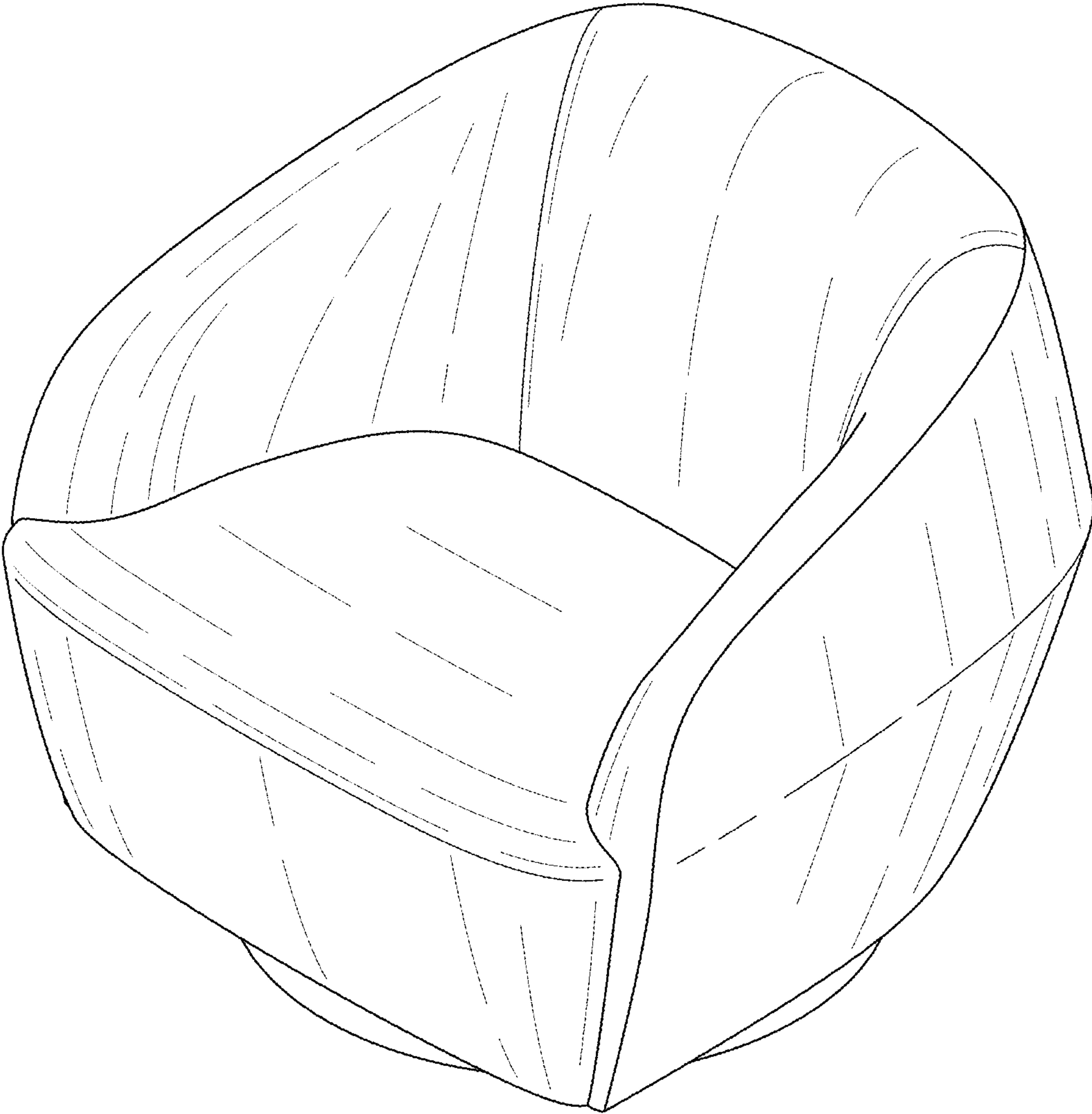


FIG. 1

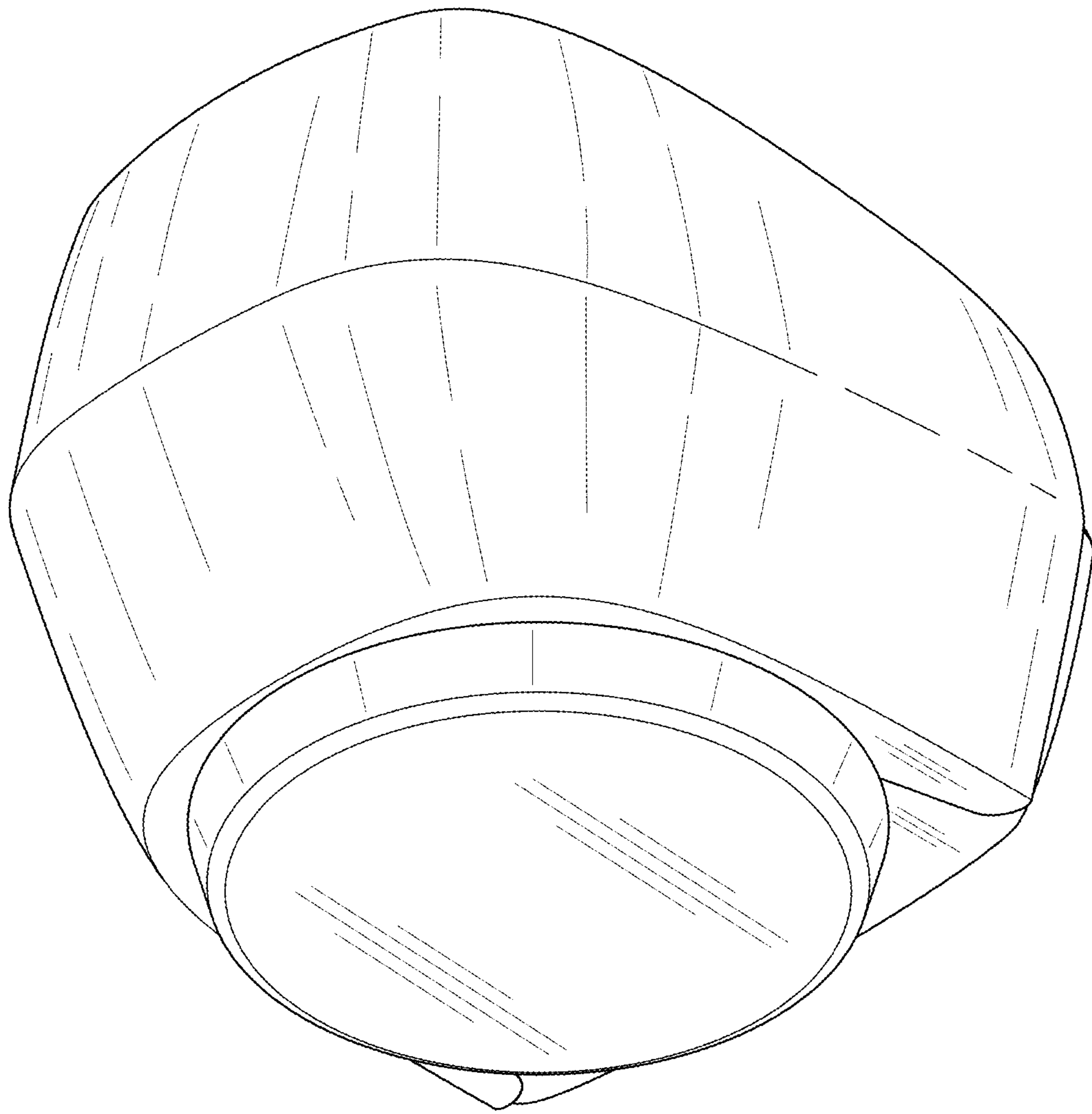


FIG. 2

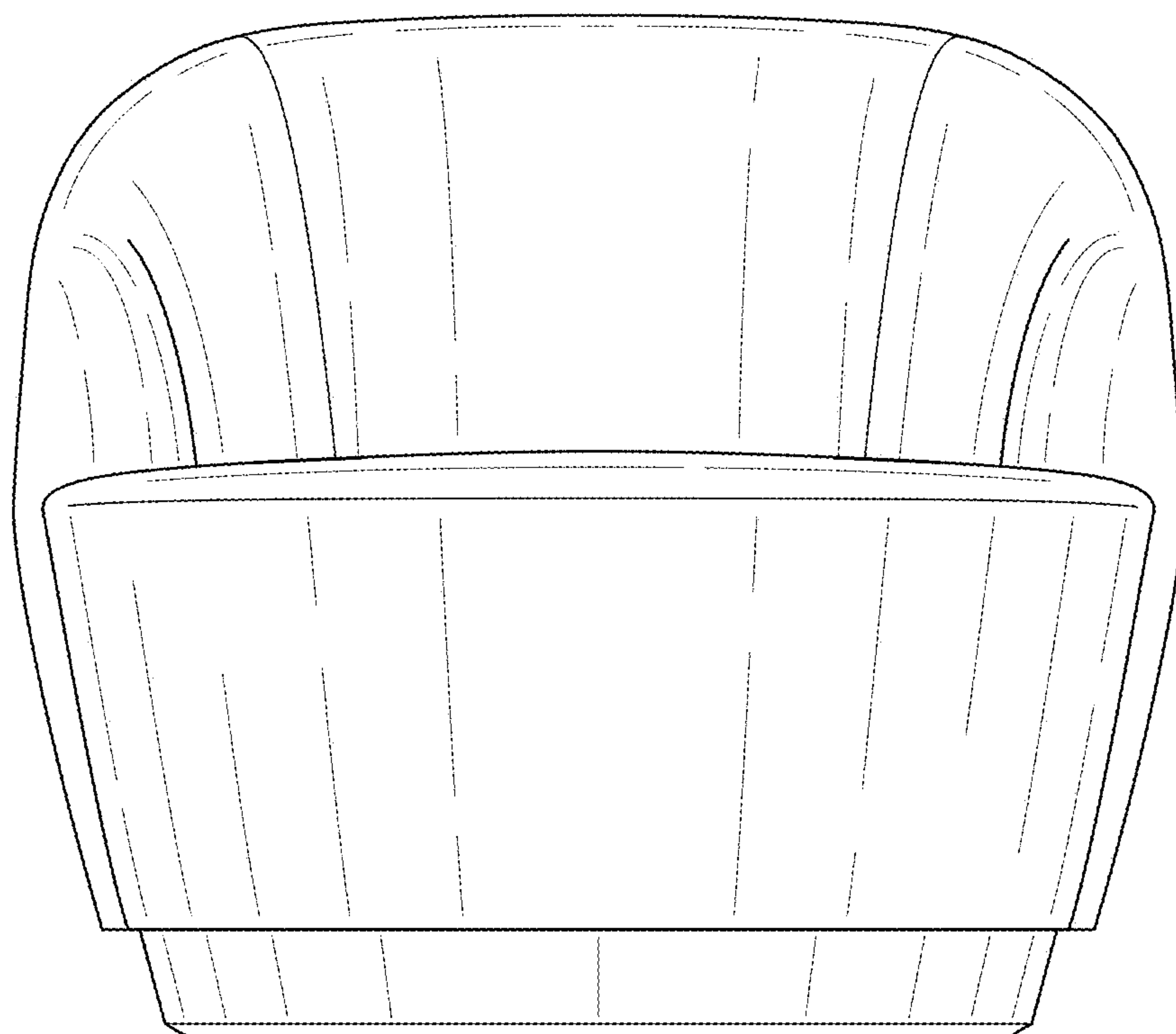


FIG. 3

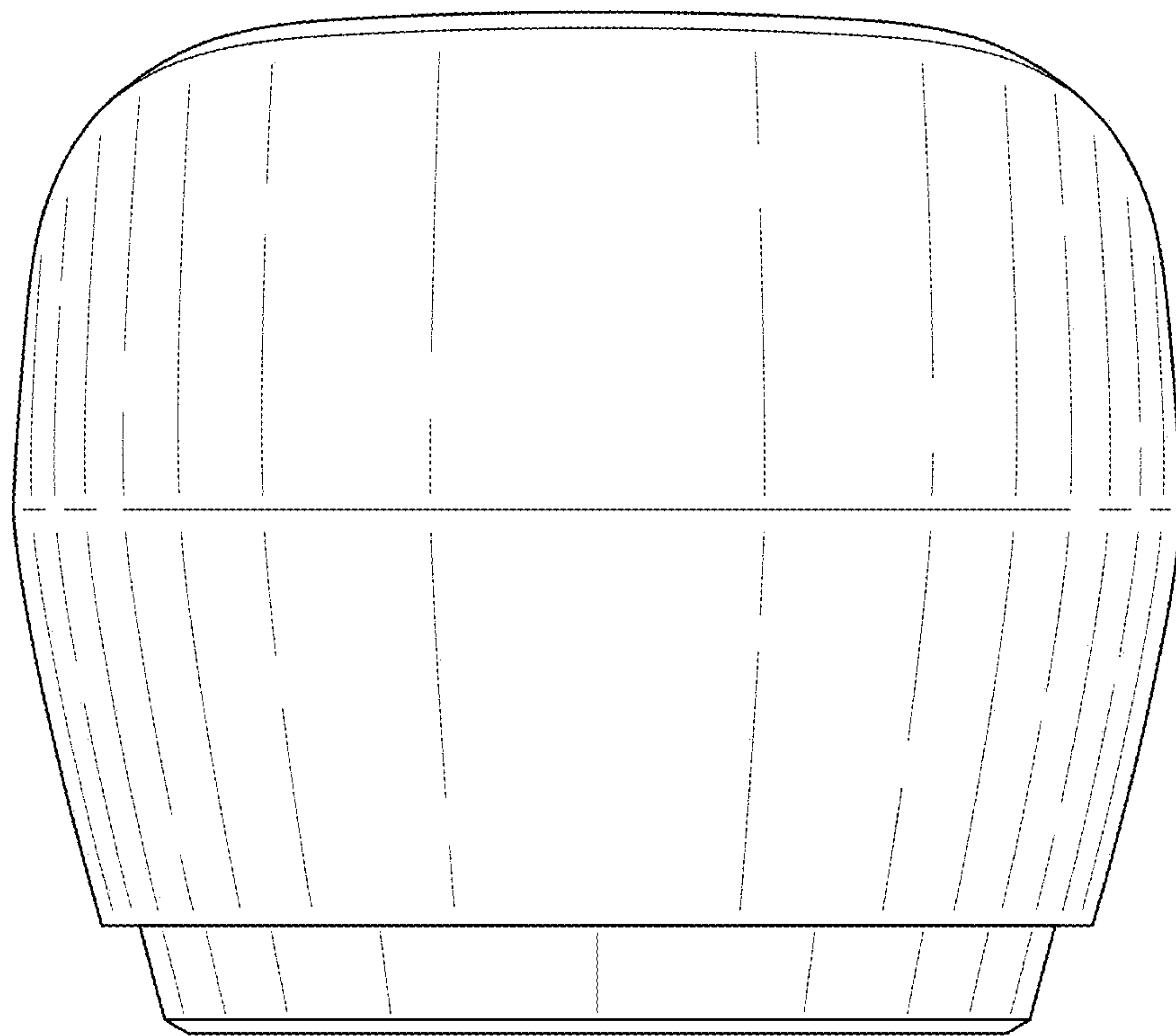


FIG. 4

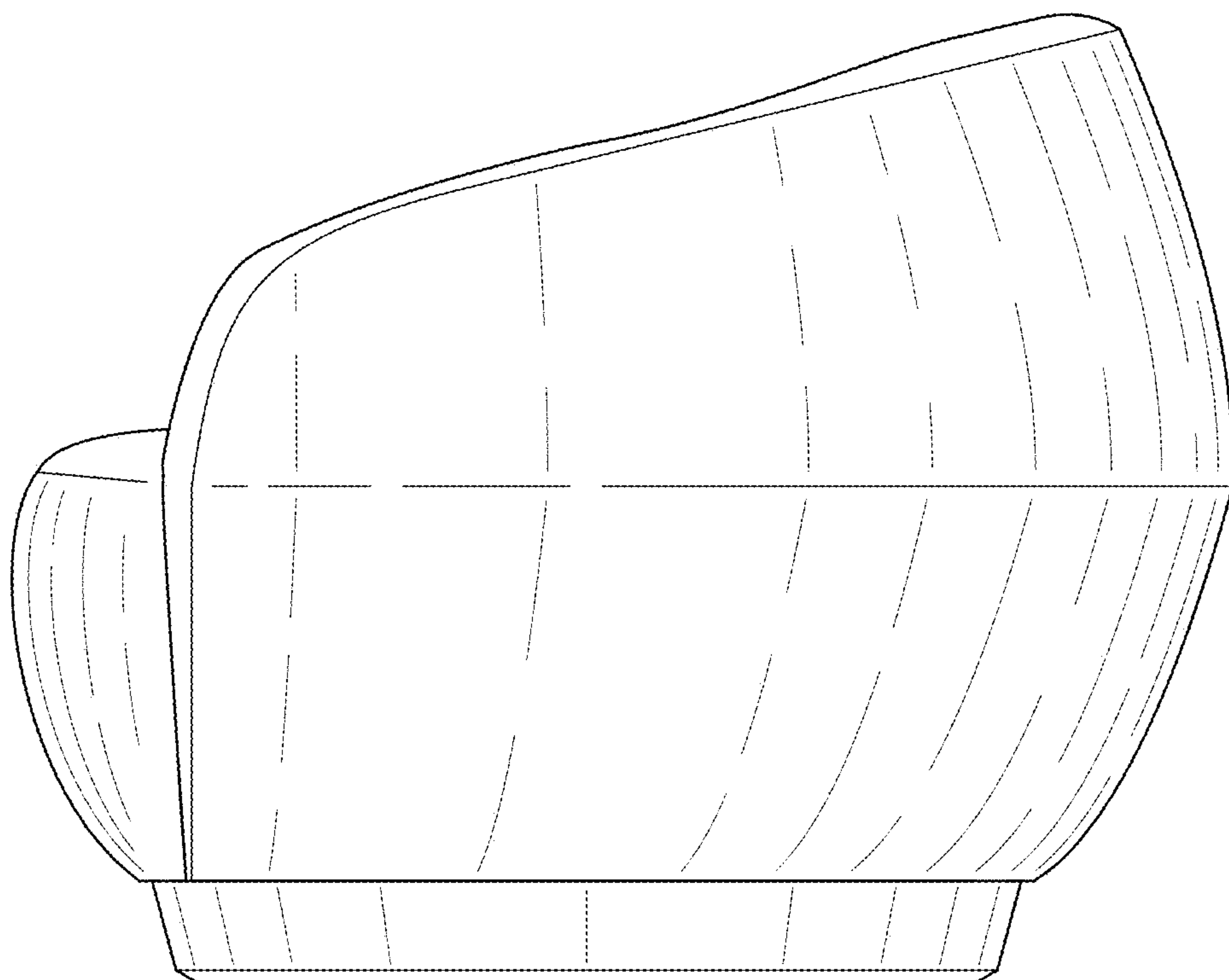


FIG. 5

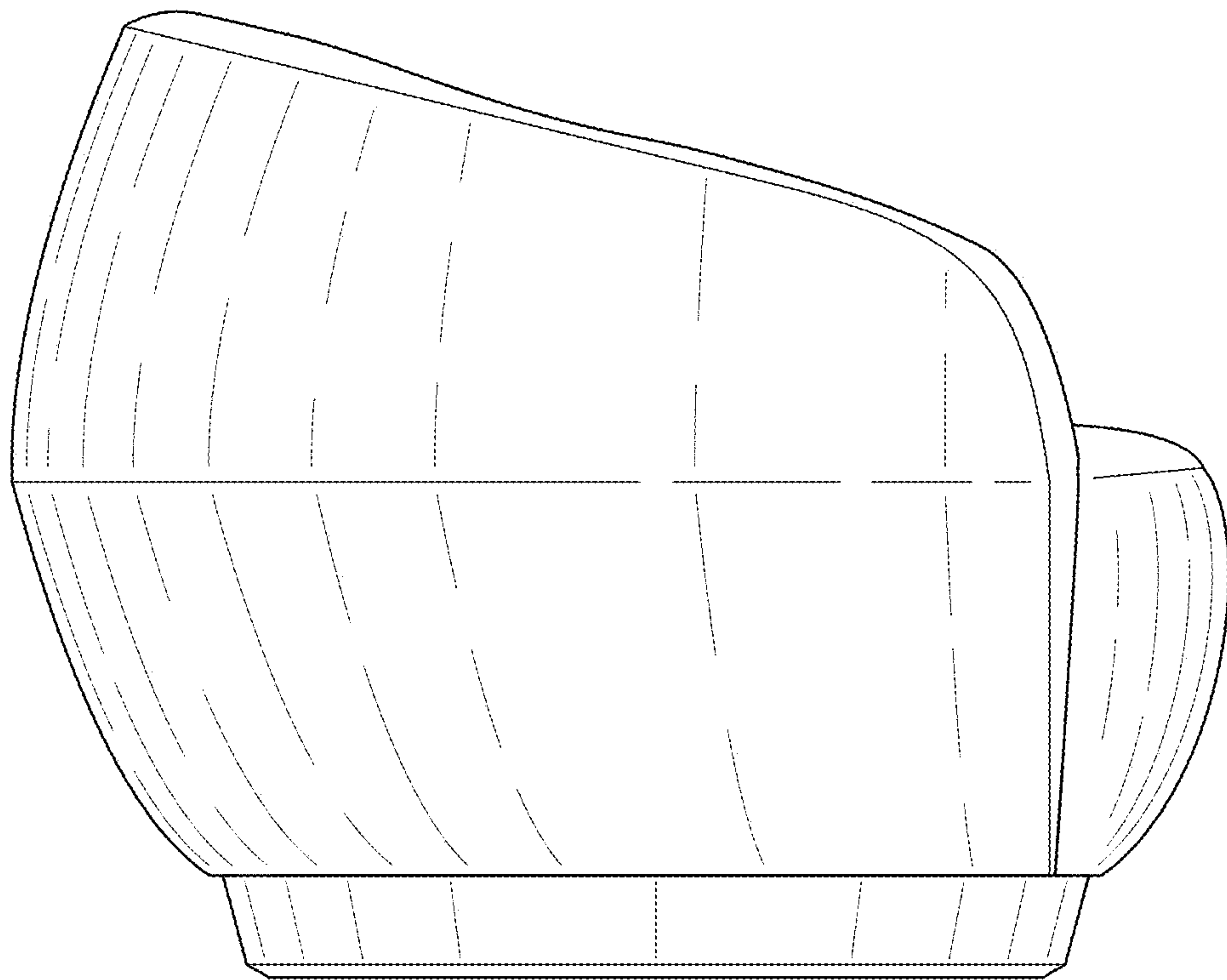


FIG. 6

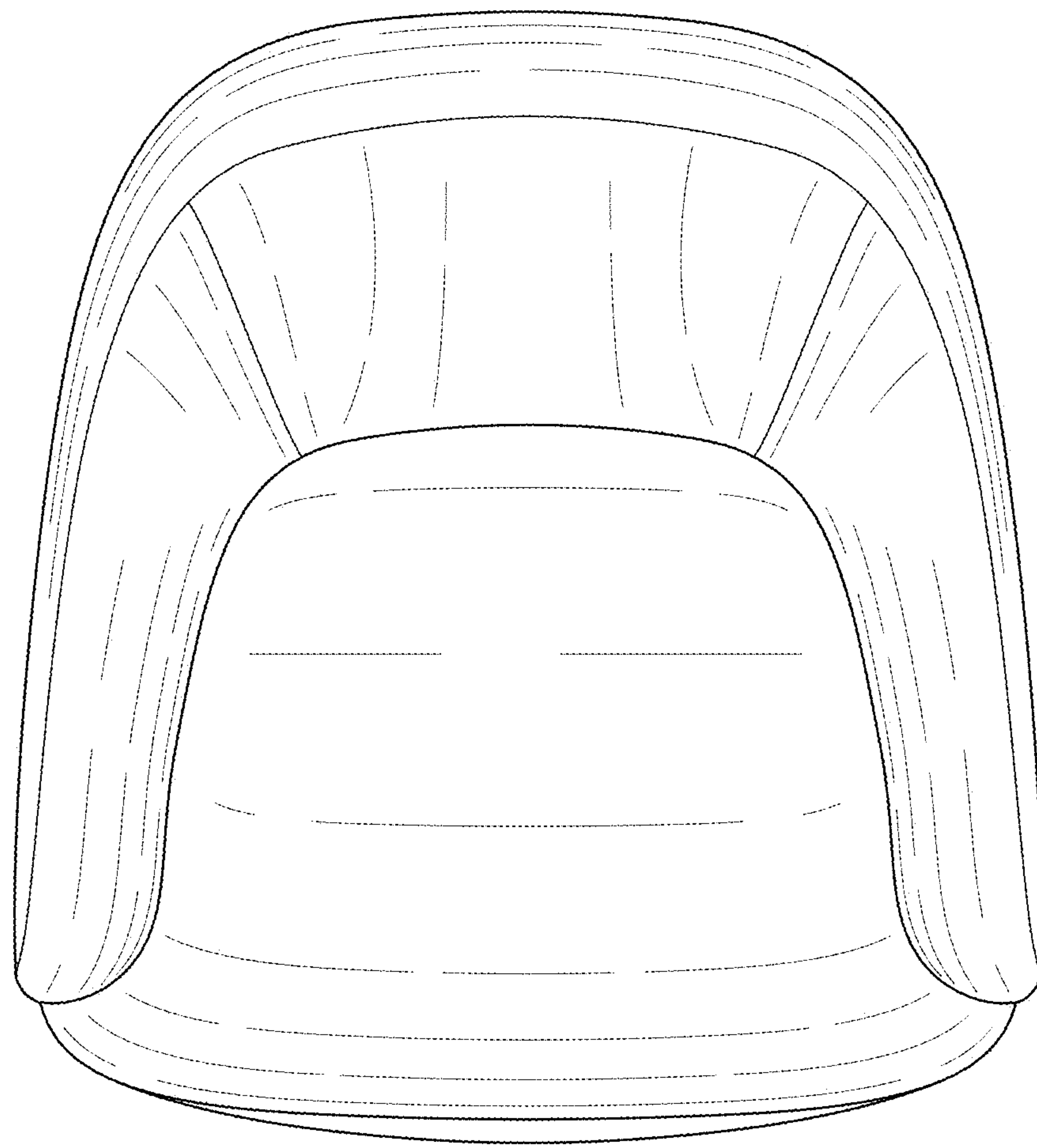


FIG. 7

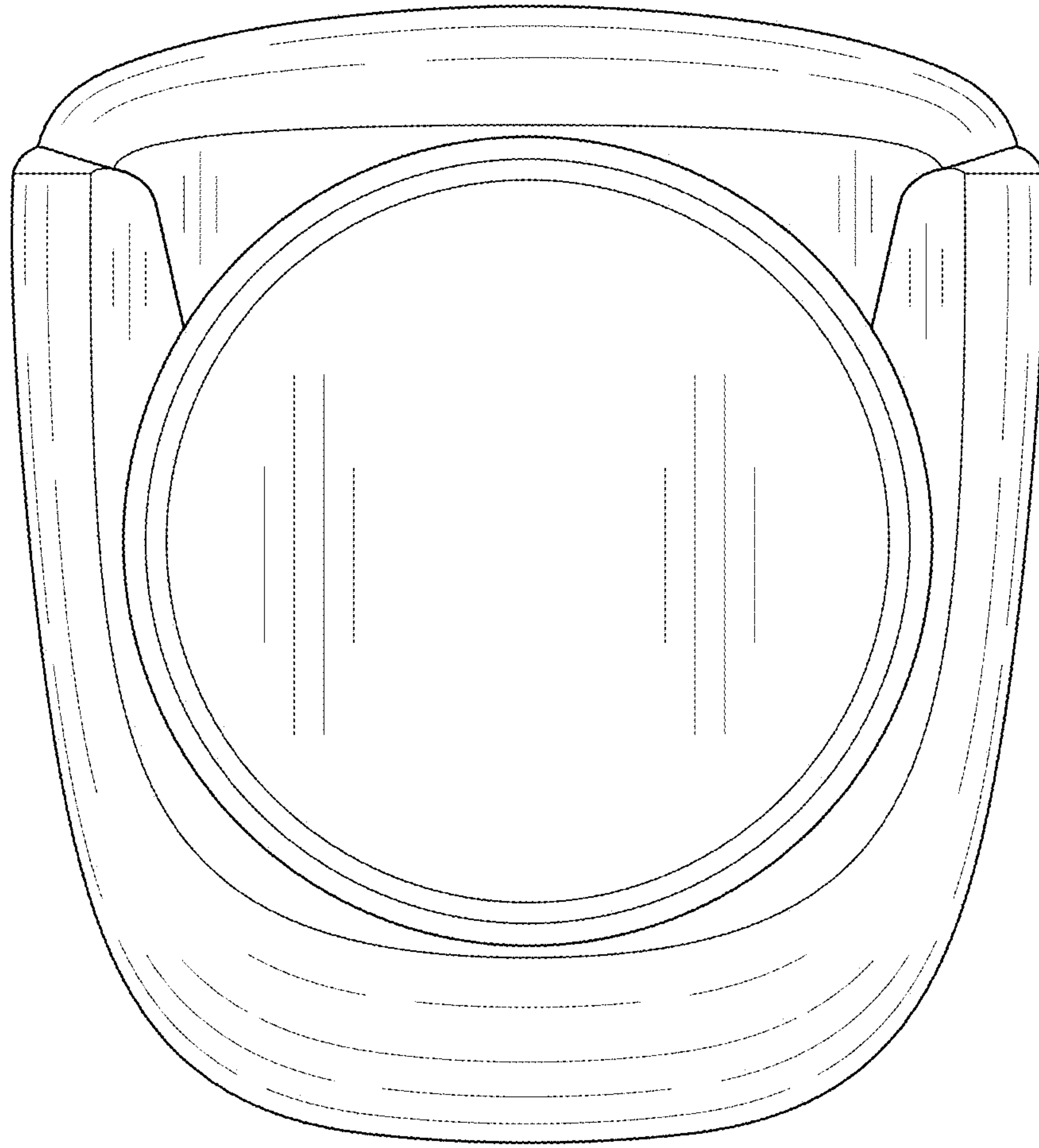


FIG. 8

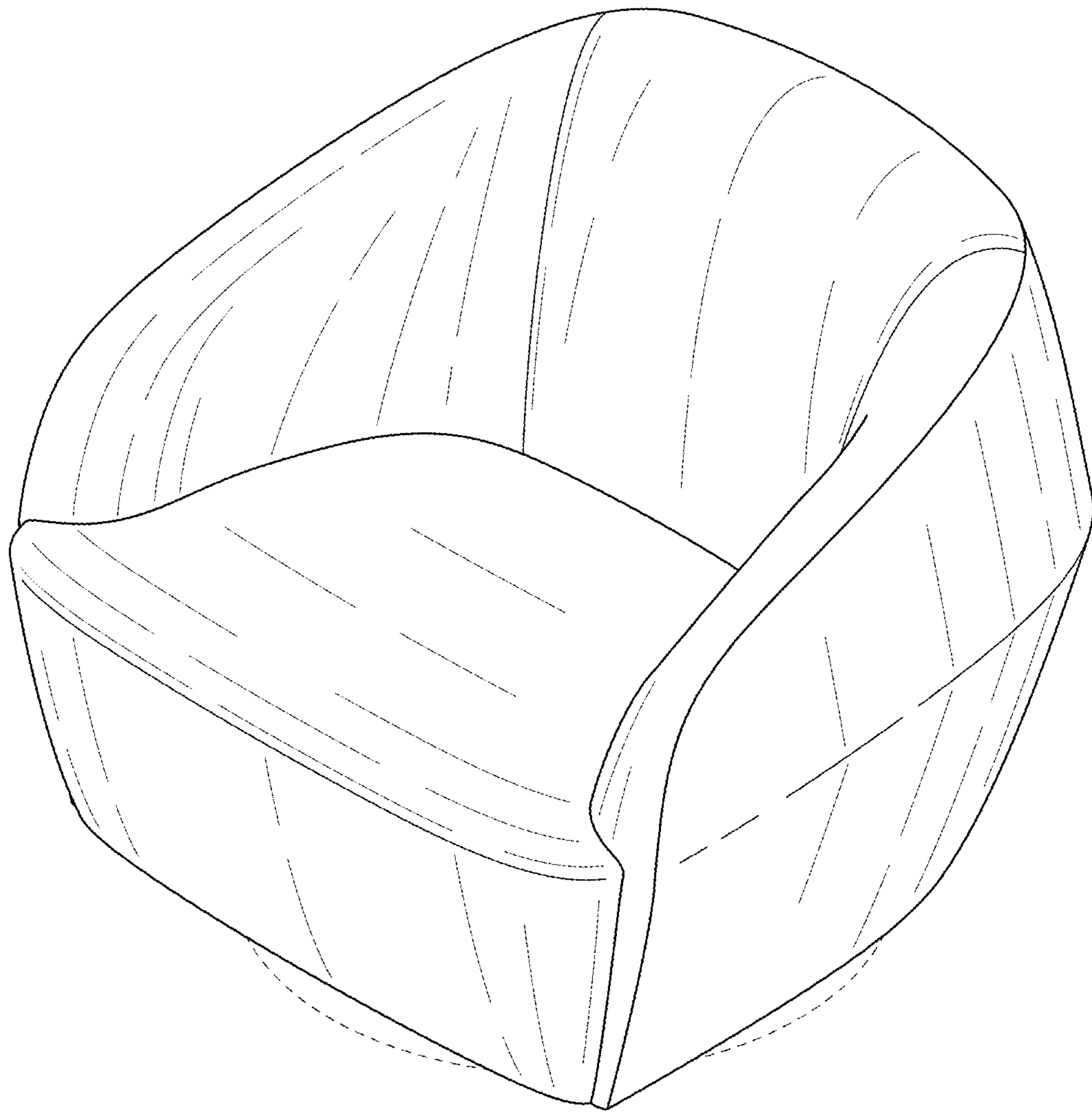


FIG. 9

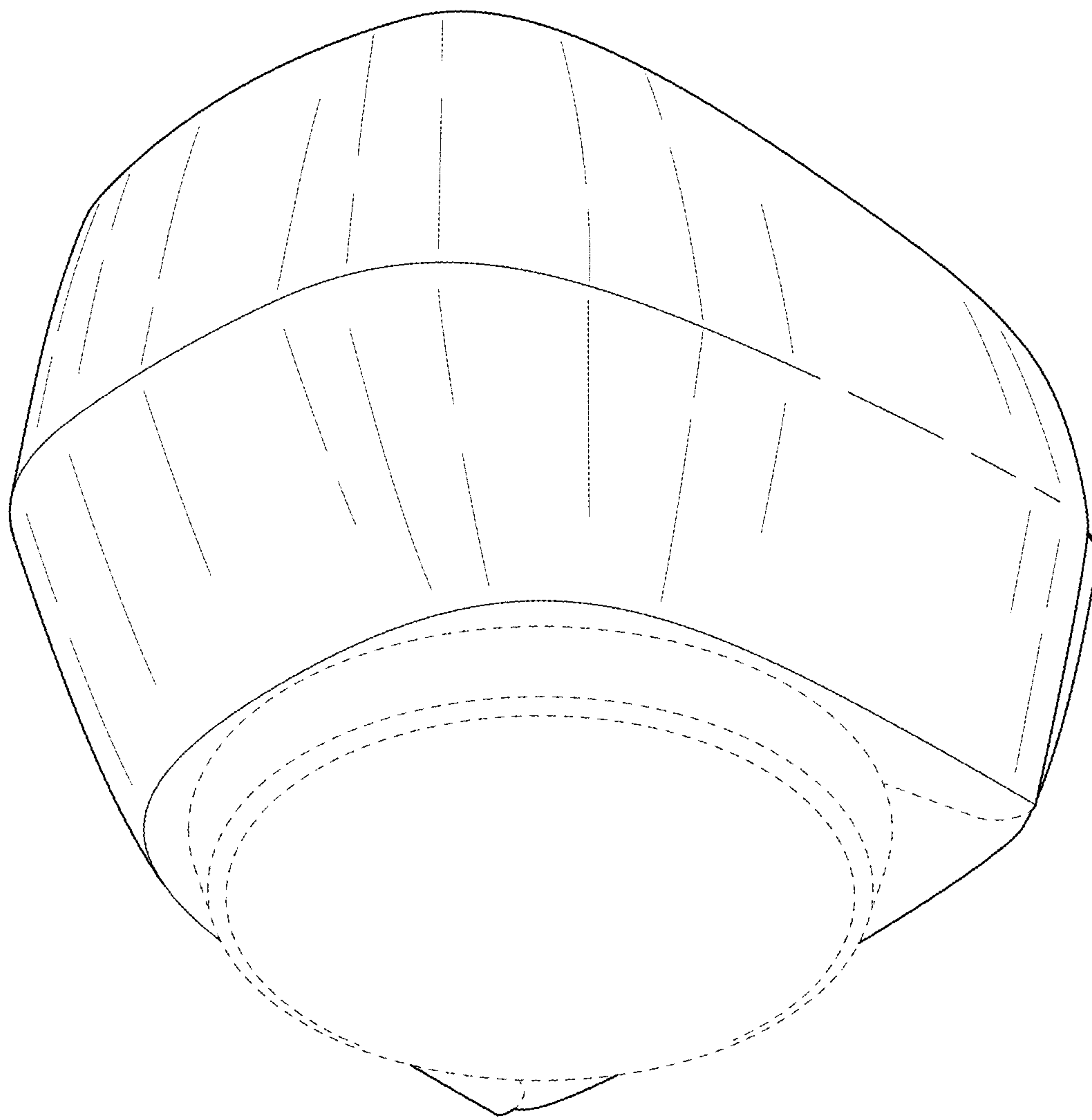


FIG. 10

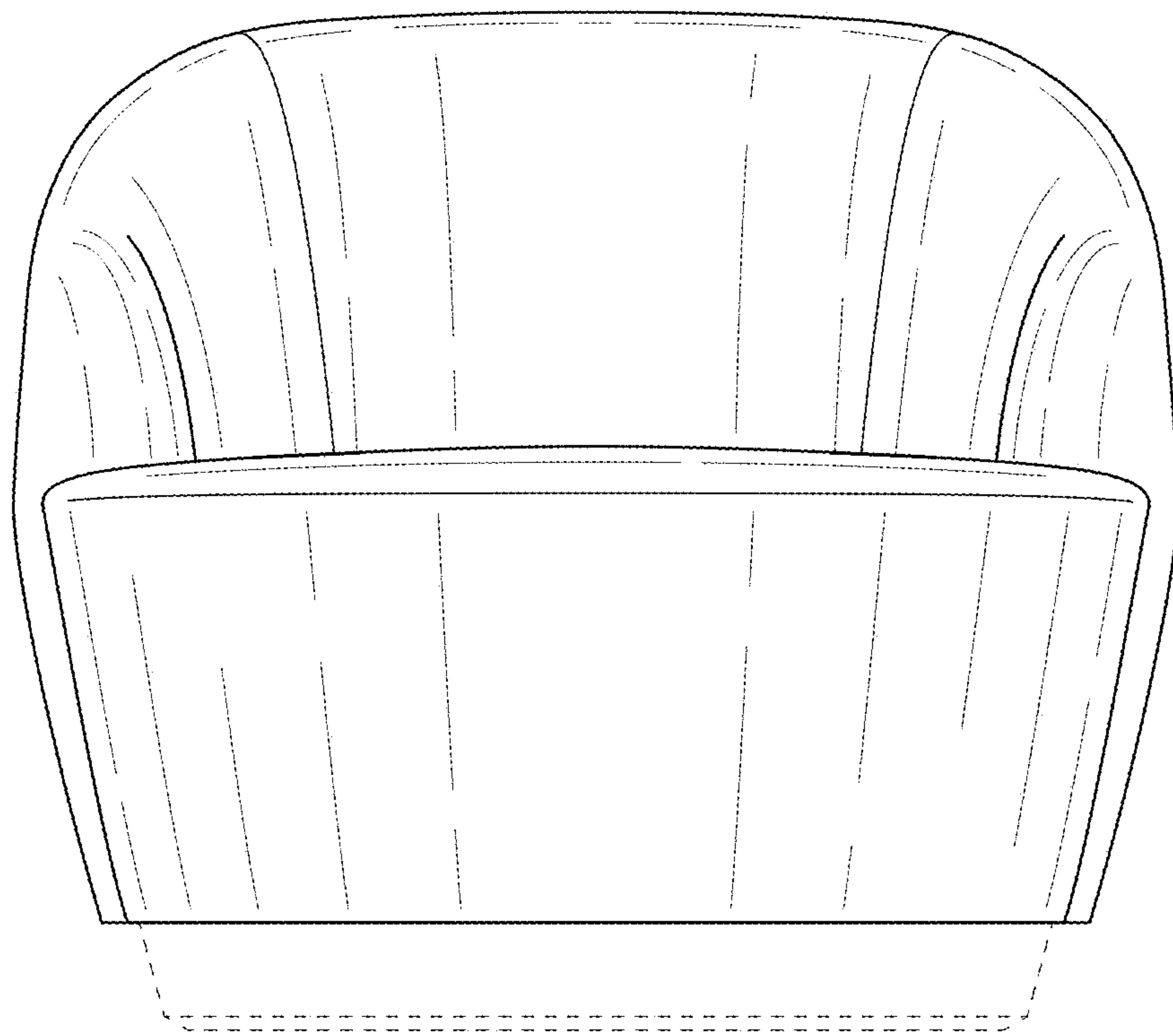


FIG. 11

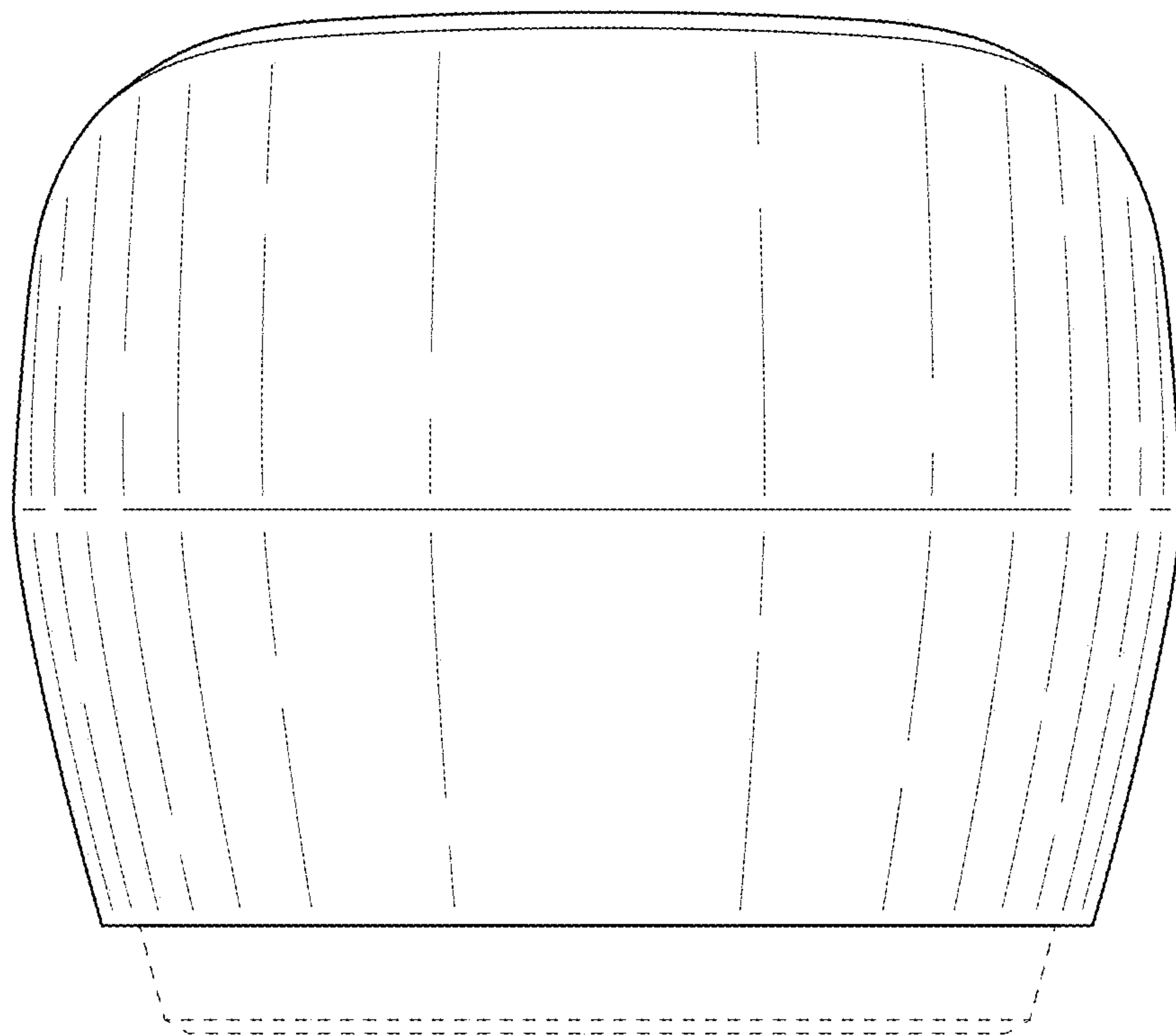


FIG. 12

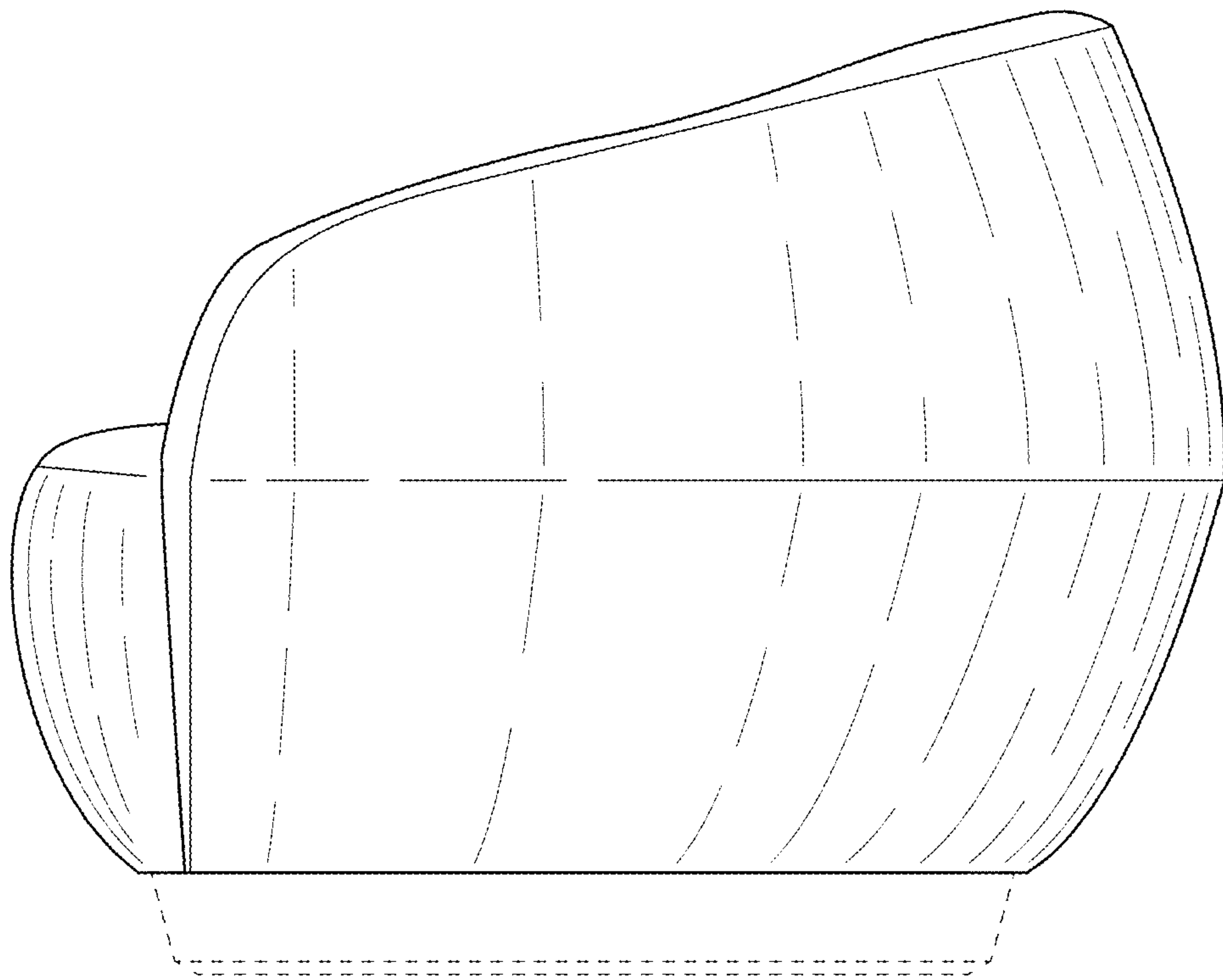


FIG. 13

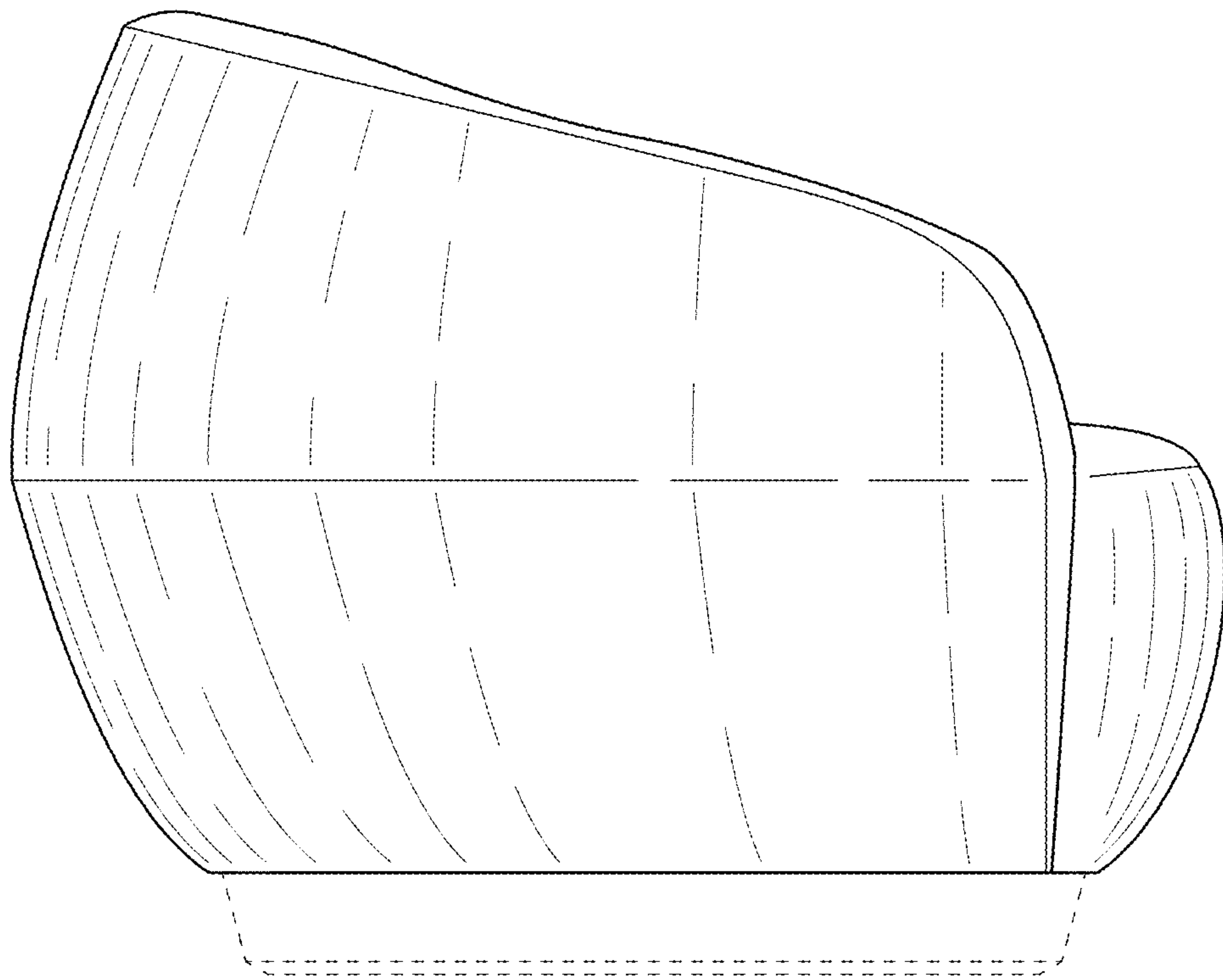


FIG. 14

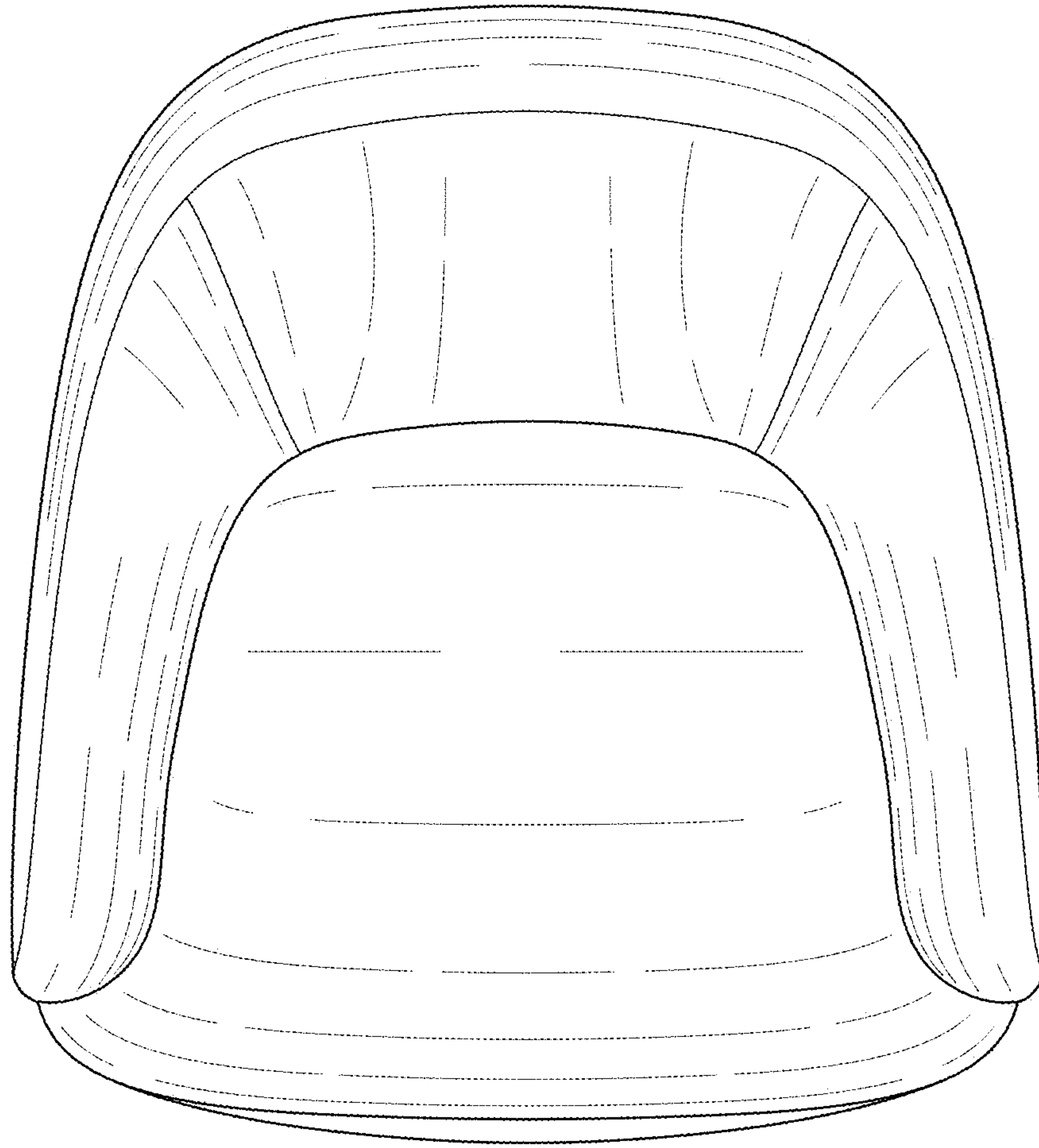


FIG. 15

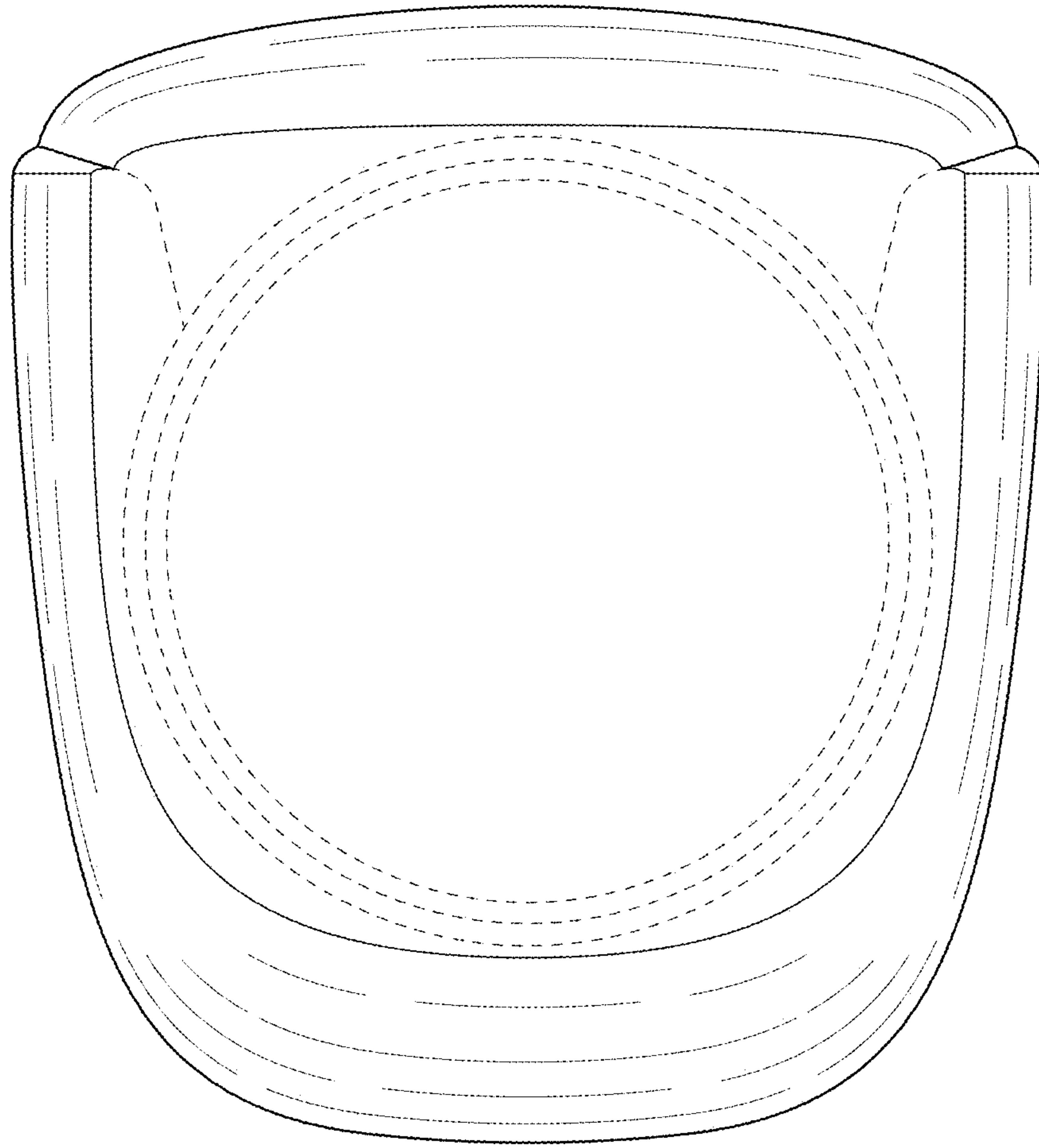


FIG. 16