



US00D927208S

(12) **United States Design Patent** (10) **Patent No.:** **US D927,208 S**  
**Ou** (45) **Date of Patent:** **\*\* Aug. 10, 2021**

(54) **INFLATABLE RECLINER**

(71) Applicant: **Yanjie Ou**, Baoding (CN)

(72) Inventor: **Yanjie Ou**, Baoding (CN)

(\*\*) Term: **15 Years**

(21) Appl. No.: **29/769,586**

(22) Filed: **Feb. 5, 2021**

(51) **LOC (13) Cl.** ..... **06-01**

(52) **U.S. Cl.**  
USPC ..... **D6/361**

(58) **Field of Classification Search**  
USPC ..... D6/334-336, 361, 371, 372, 373, 375,  
D6/377, 716, 716.1, 716.4; D21/803  
CPC ..... A47C 27/086; A47C 3/14; A47C 3/16;  
A47C 4/54; A47C 7/18; A47C 7/24;  
A47C 15/006; B63B 34/50; B63B 34/52  
See application file for complete search history.

(56) **References Cited**

**U.S. PATENT DOCUMENTS**

D491,994 S *	6/2004	Peterson	.....	D21/803
D819,993 S *	6/2018	Yang	.....	D6/361
D819,994 S *	6/2018	Yang	.....	D6/361
10,405,663 B2 *	9/2019	Yang	.....	A47C 4/54
D865,398 S *	11/2019	Zhang	.....	D6/361
D890,536 S	7/2020	Schnermann		
D899,797 S	10/2020	Zhou		
D900,495 S	11/2020	Zhou		
D903,350 S *	12/2020	Zhou	.....	D6/361

**OTHER PUBLICATIONS**

N / A Portable Multifunctional Inflatable Recliner, Swimming Pool Float, air Sofa, Scratch and wear-Resistant Comfort, Suitable for Home Office Camping Trip, from Amazom.com, pp. 1-5, Date First

Available, Sep. 19, 2020, from [https://www.amazon.com/Portable-Multifunctional-Inflatable-Recliner-wear-Resistant/dp/B08JJ13LMW/ref=sr\\_1\\_275?dchild=1&gclid=EAlalQobChMIJi4gJ\\_A8AIVrm1vBB2O0AqbEAMYASAAEgK42fD\\_BwE&hvadid=174241706623&hvdev=c&hvlocphy=1027019&hvnetw=g&hvqmt=e&hvrnd=8837356663949765664&hvtargid=kwd3635928189&hydadcr=24656\\_9648981&keywords=id=1620688740&sr=8-275](https://www.amazon.com/Portable-Multifunctional-Inflatable-Recliner-wear-Resistant/dp/B08JJ13LMW/ref=sr_1_275?dchild=1&gclid=EAlalQobChMIJi4gJ_A8AIVrm1vBB2O0AqbEAMYASAAEgK42fD_BwE&hvadid=174241706623&hvdev=c&hvlocphy=1027019&hvnetw=g&hvqmt=e&hvrnd=8837356663949765664&hvtargid=kwd3635928189&hydadcr=24656_9648981&keywords=id=1620688740&sr=8-275) (Year:2020).\*

\* cited by examiner

*Primary Examiner* — Mimosa De

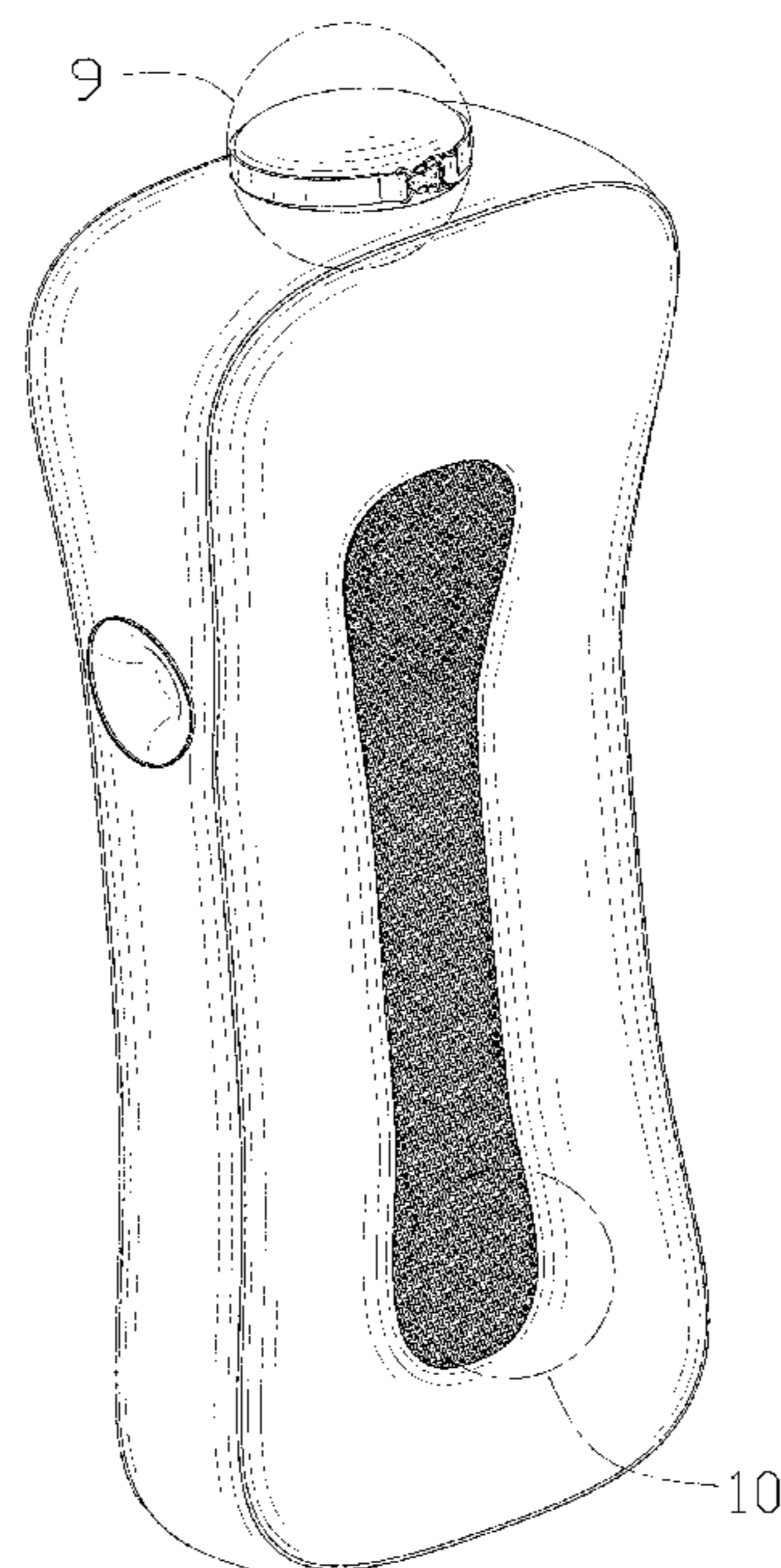
(57) **CLAIM**

The ornamental design for an inflatable recliner, as shown and described.

**DESCRIPTION**

FIG. 1 is a first perspective view of an inflatable recliner showing my new design;  
FIG. 2 is a second perspective view thereof;  
FIG. 3 is a front view thereof;  
FIG. 4 is a back view thereof;  
FIG. 5 is a left side view thereof;  
FIG. 6 is a right side view thereof;  
FIG. 7 is a top view thereof;  
FIG. 8 is a bottom view thereof;  
FIG. 9 is an enlarged view of the selected portion in FIG. 1;  
FIG. 10 is an enlarged view of the selected portion in FIG. 1; and,  
FIG. 11 is an enlarged view of the selected portion in FIG. 2.  
The broken lines shown in the drawings depict portions of the inflatable recliner in which the design is embodied that form no part of the claimed design.

**1 Claim, 11 Drawing Sheets**



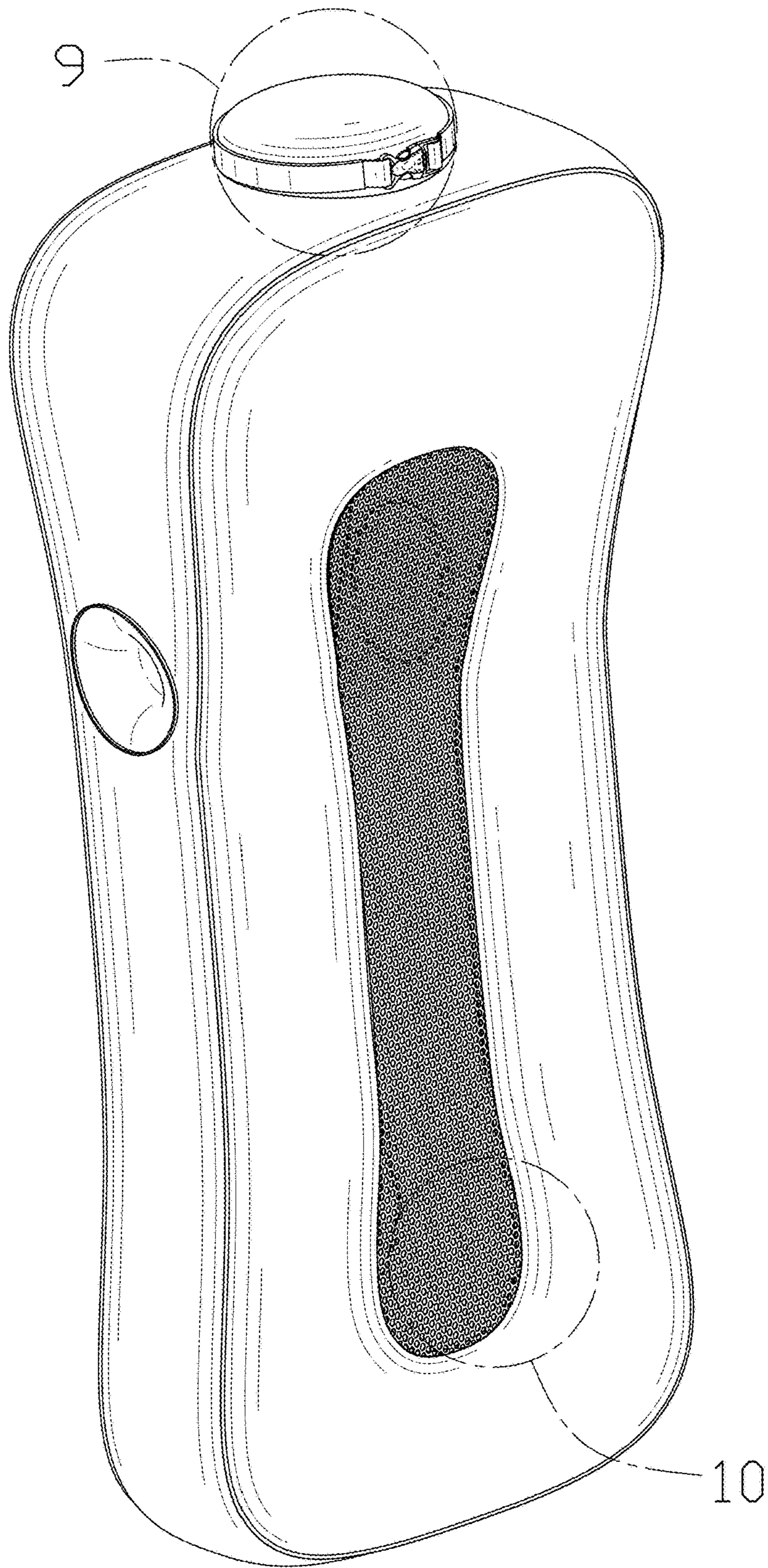


FIG. 1

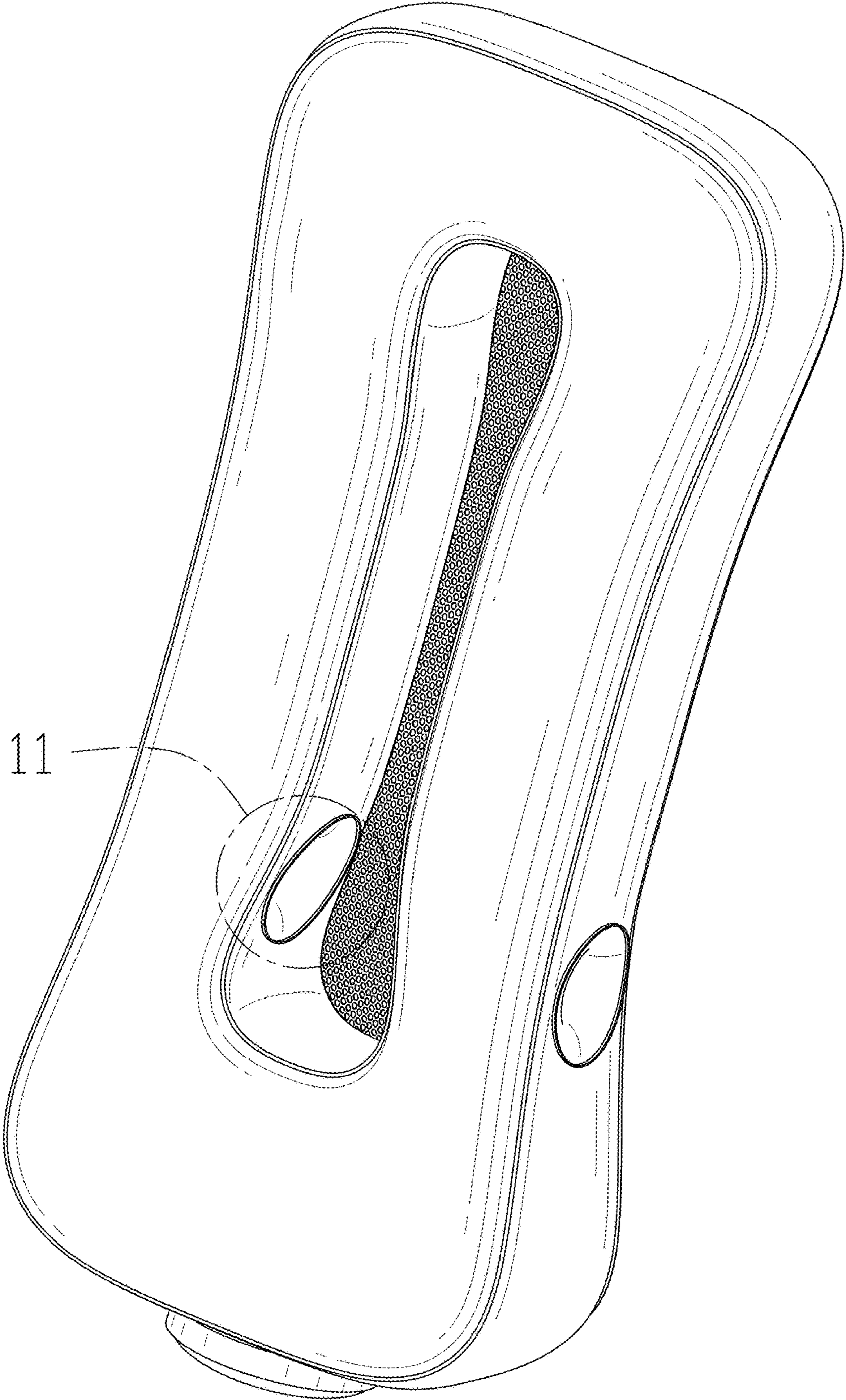


FIG. 2

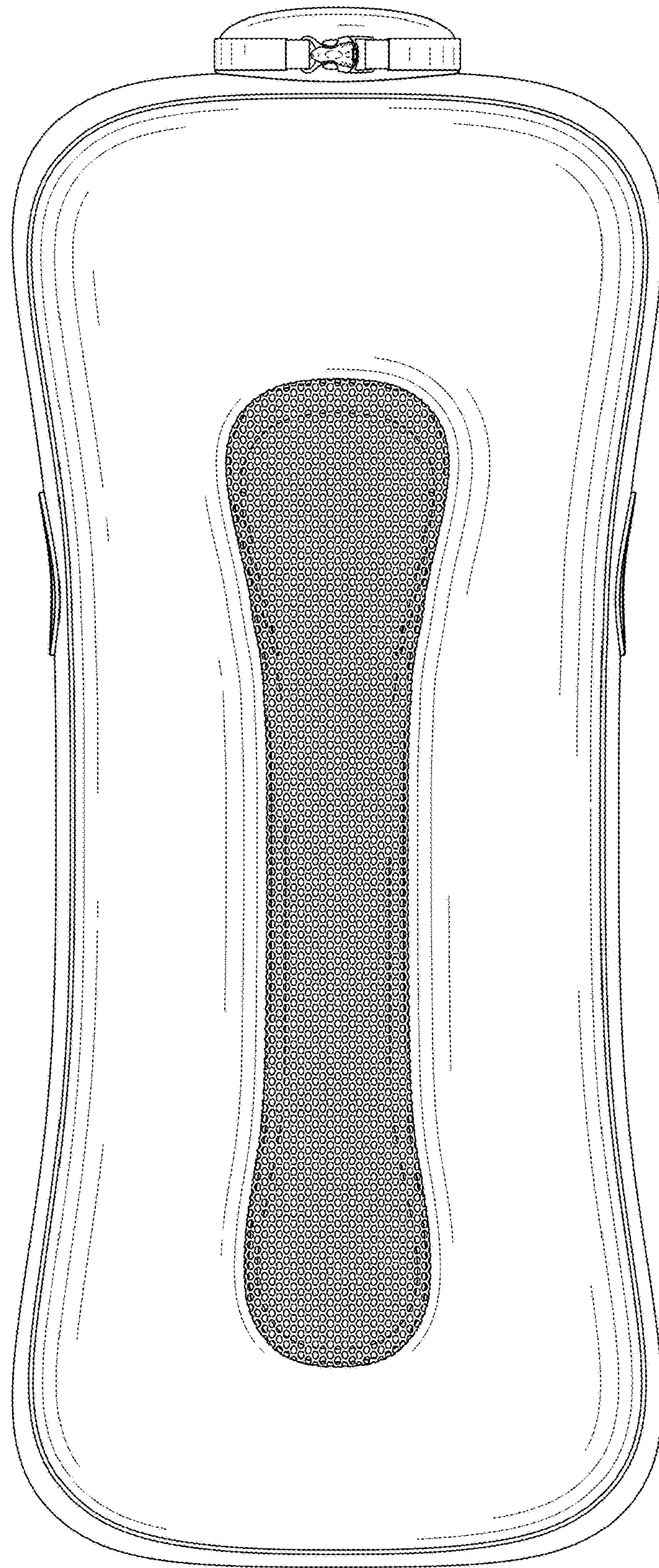


FIG. 3

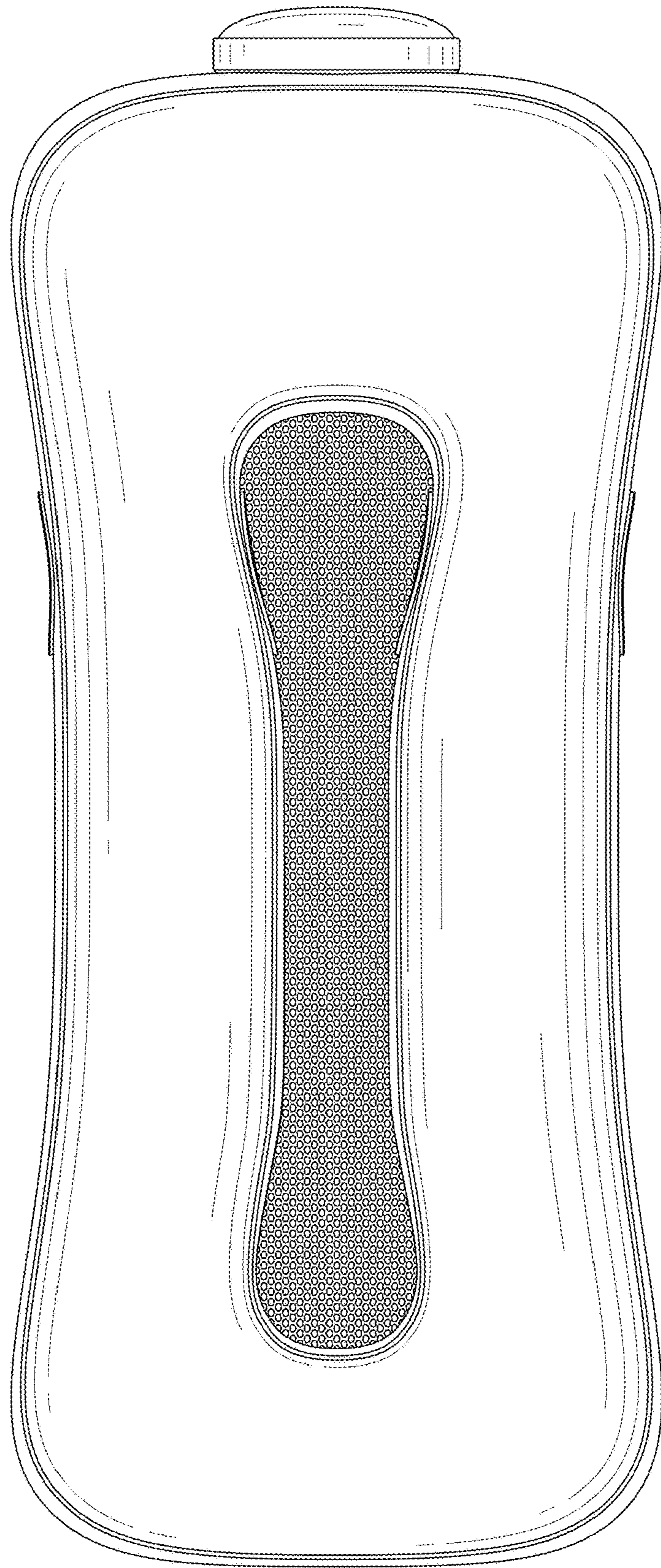


FIG. 4

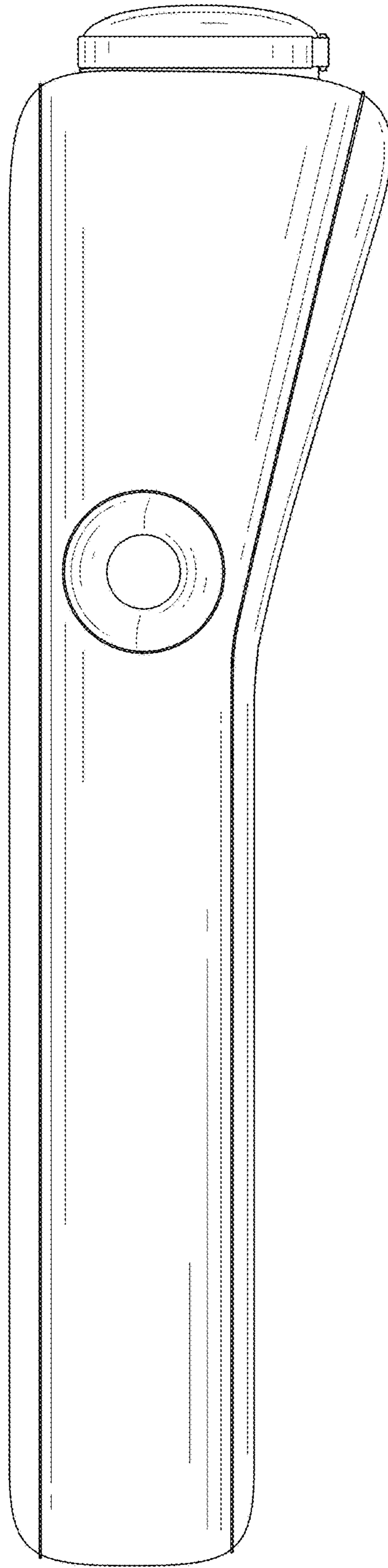


FIG. 5

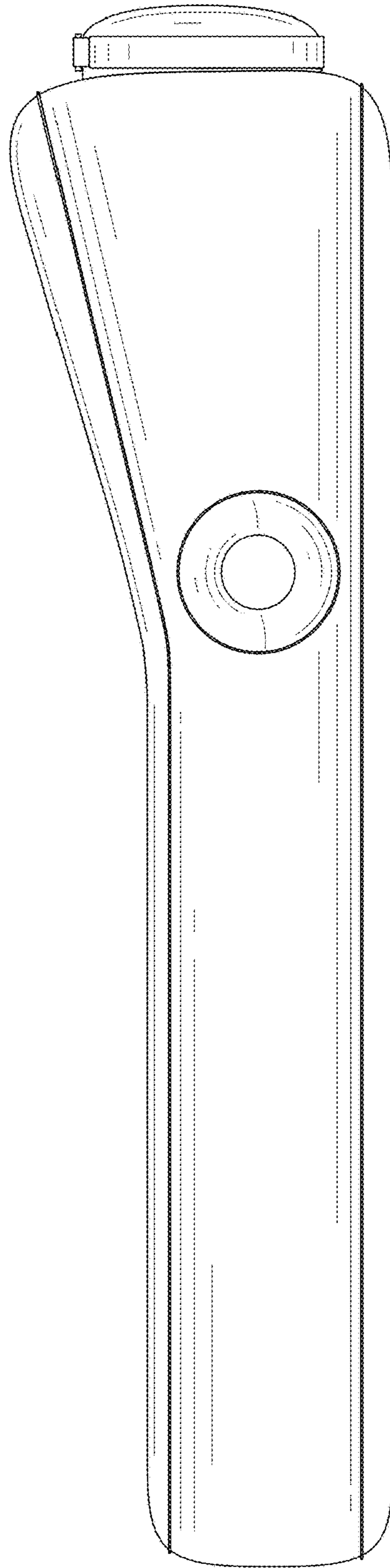


FIG. 6

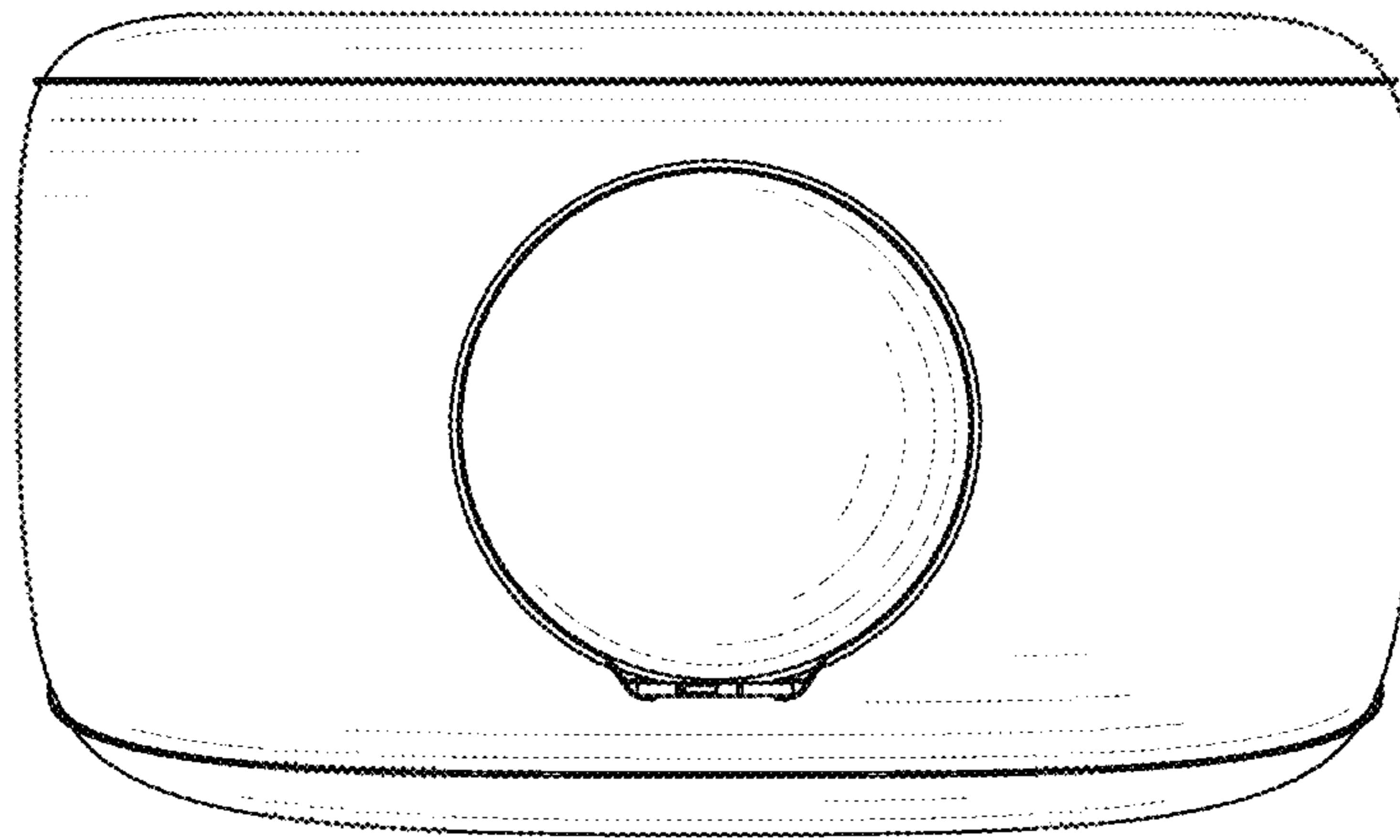


FIG. 7



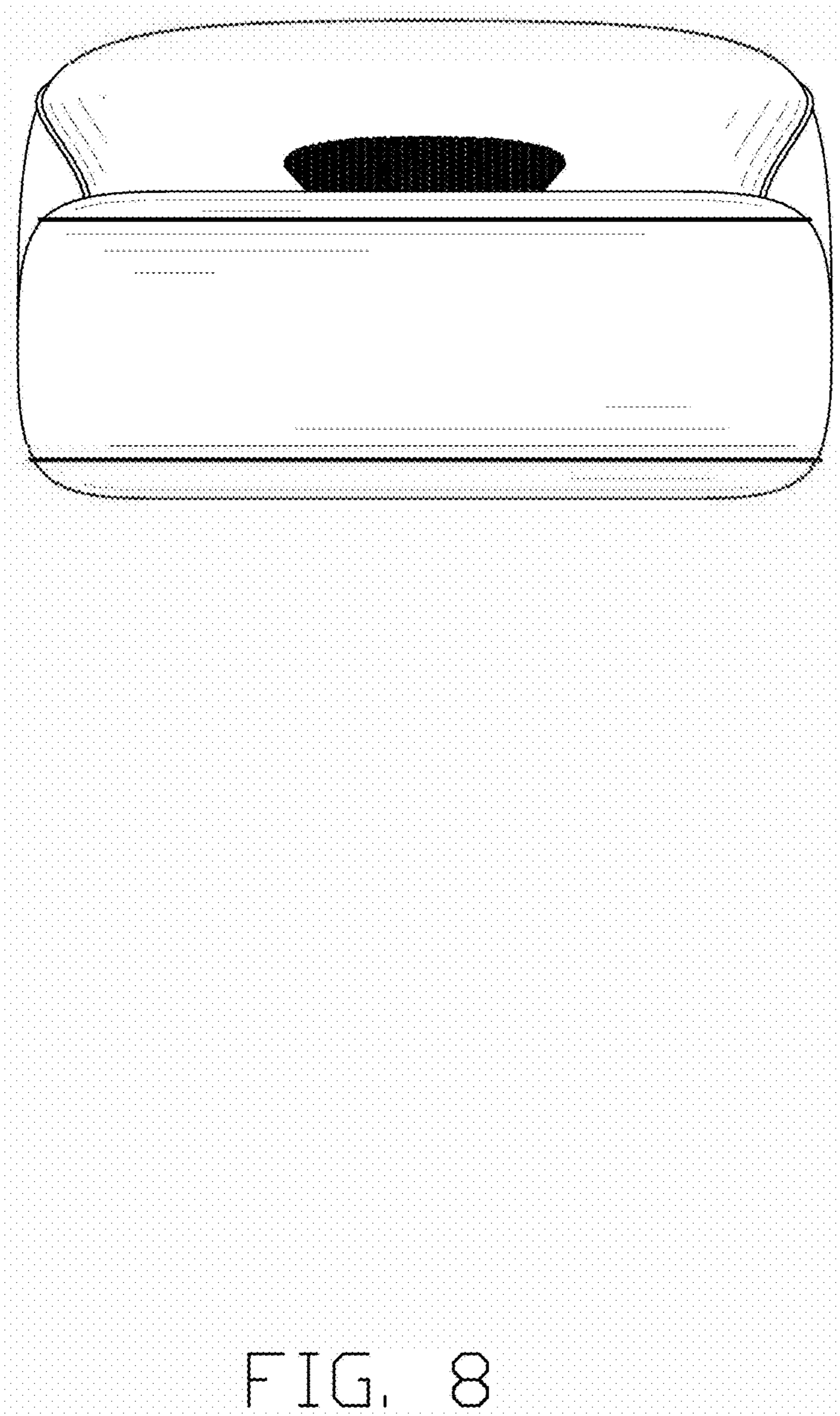


FIG. 8

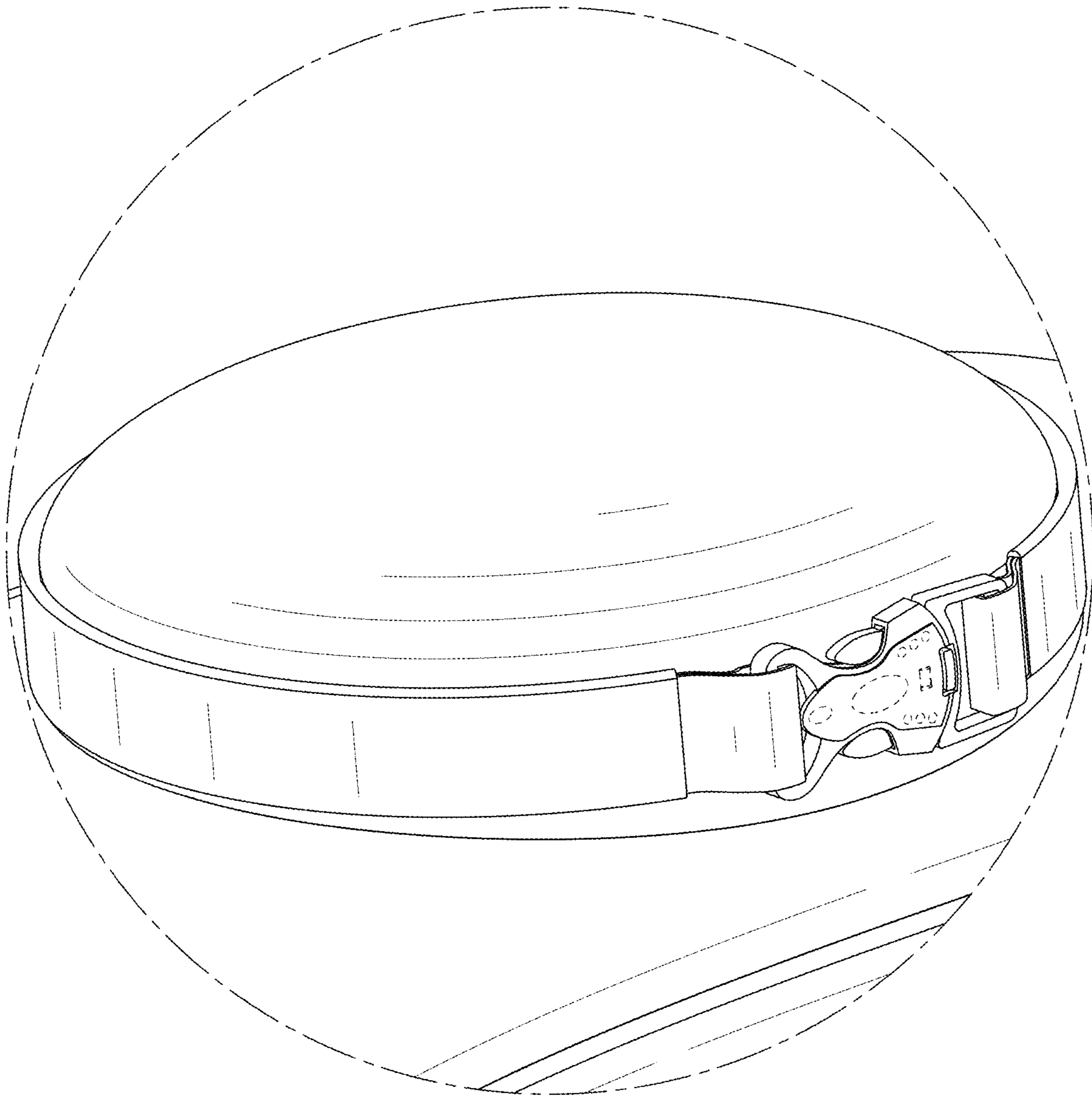


FIG. 9

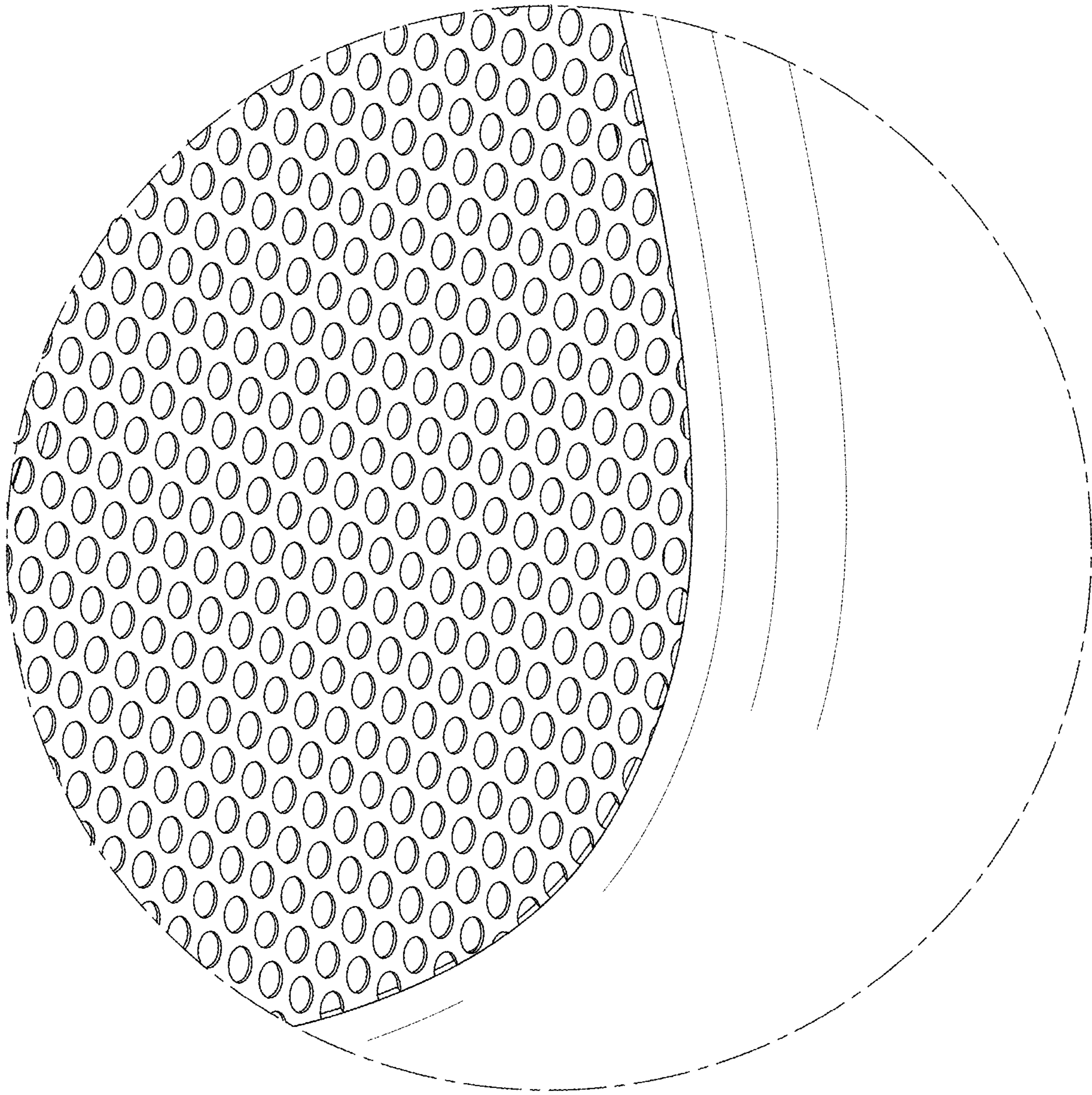


FIG. 10

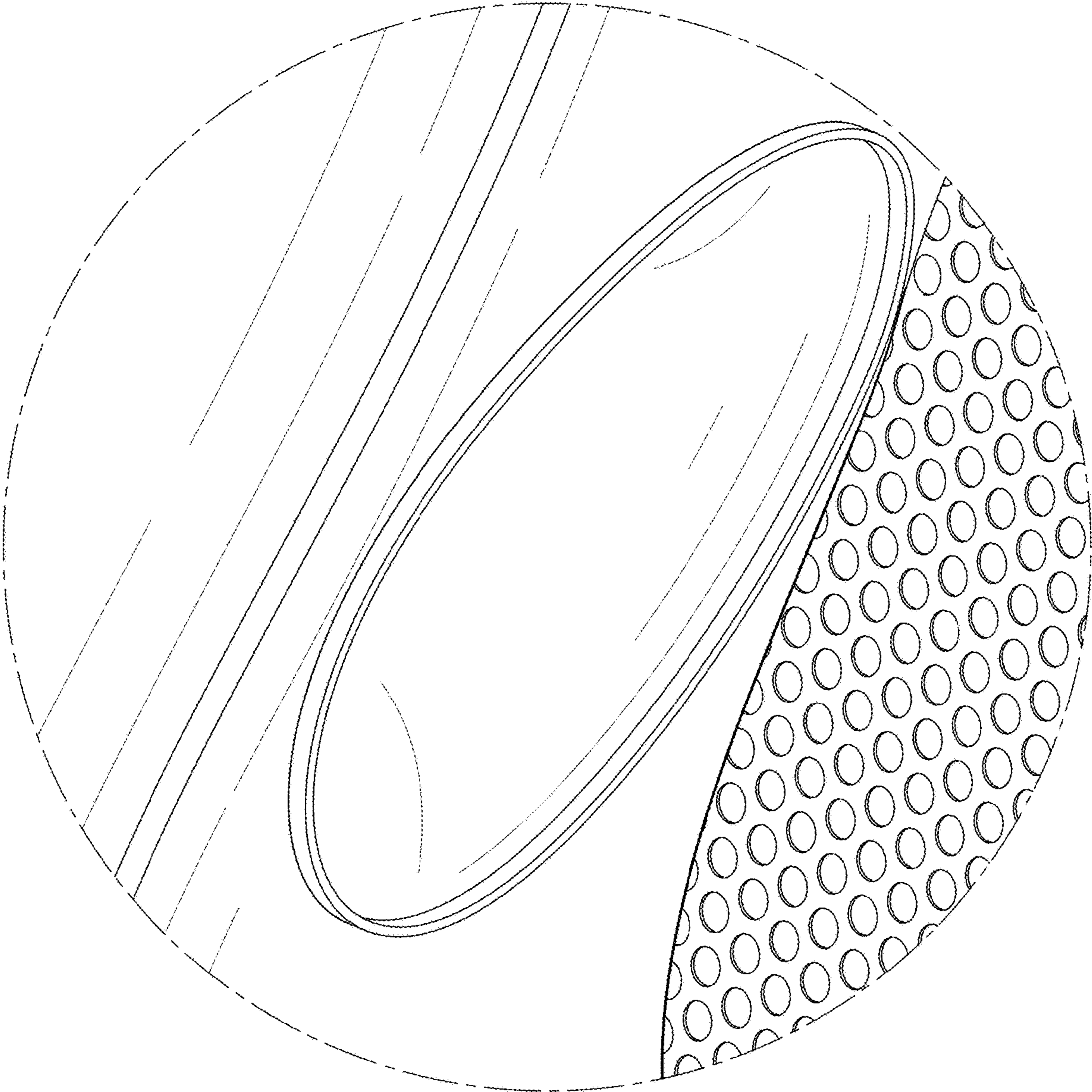


FIG. 11