



US00D927207S

(12) **United States Design Patent** (10) **Patent No.:** **US D927,207 S**
Harcup et al. (45) **Date of Patent:** **** Aug. 10, 2021**

(54) **VEHICLE SEAT**

(71) Applicants: **Anthony Harcup**, Virginia Water (GB);
Richard Peter John Nicholas, London
(GB); **Brian Ward**, Noak Bridge (GB)

(72) Inventors: **Anthony Harcup**, Virginia Water (GB);
Richard Peter John Nicholas, London
(GB); **Brian Ward**, Noak Bridge (GB)

D336,379 S 6/1993 Veneruso
D380,093 S * 6/1997 Lewis D6/334
5,636,898 A * 6/1997 Dixon A47C 1/032
297/281
D395,963 S * 7/1998 Lewis D6/334
D405,275 S 2/1999 Dryburgh et al.
D405,282 S * 2/1999 Desnoyers D6/365

(Continued)

FOREIGN PATENT DOCUMENTS

DE 4039100 6/1992
EP 0 185 536 6/1986

(Continued)

(73) Assignee: **Ipeco Holdings Limited**

(**) Term: **15 Years**

(21) Appl. No.: **29/655,012**

(22) Filed: **Jun. 29, 2018**

(51) **LOC (13) Cl.** **06-01**

(52) **U.S. Cl.**
USPC **D6/356**

(58) **Field of Classification Search**
USPC D6/334, 335, 349, 353, 354, 356, 360,
D6/361, 362, 364, 365, 366, 371, 374,
D6/375, 377, 379, 380, 381
CPC A47C 4/02; A47C 4/04; A47C 4/52; A47C
11/00; A47C 15/002; A47C 1/00; A47C
1/03; A47C 7/002

See application file for complete search history.

(56) **References Cited**

U.S. PATENT DOCUMENTS

2,629,425 A 2/1953 James
D180,220 S * 5/1957 Budnick D6/344
D182,436 S * 4/1958 Popkin D6/344
3,145,052 A 8/1964 Morgan
D210,363 S 3/1968 Barecki
D235,944 S * 7/1975 Long D6/364
D250,071 S 10/1978 Dickerson
D266,804 S * 11/1982 Zapf D6/367
D273,642 S 5/1984 Marrugo

OTHER PUBLICATIONS

Search Report for GB 1705250.7 dated Jun. 6, 2018.
Search Report for GB 1705250.7 dated Sep. 22, 2017.
Search Report for GB 1805313.2 dated Oct. 8, 2018.

Primary Examiner — Karen S Acker

(74) *Attorney, Agent, or Firm* — King & Partners, PLC

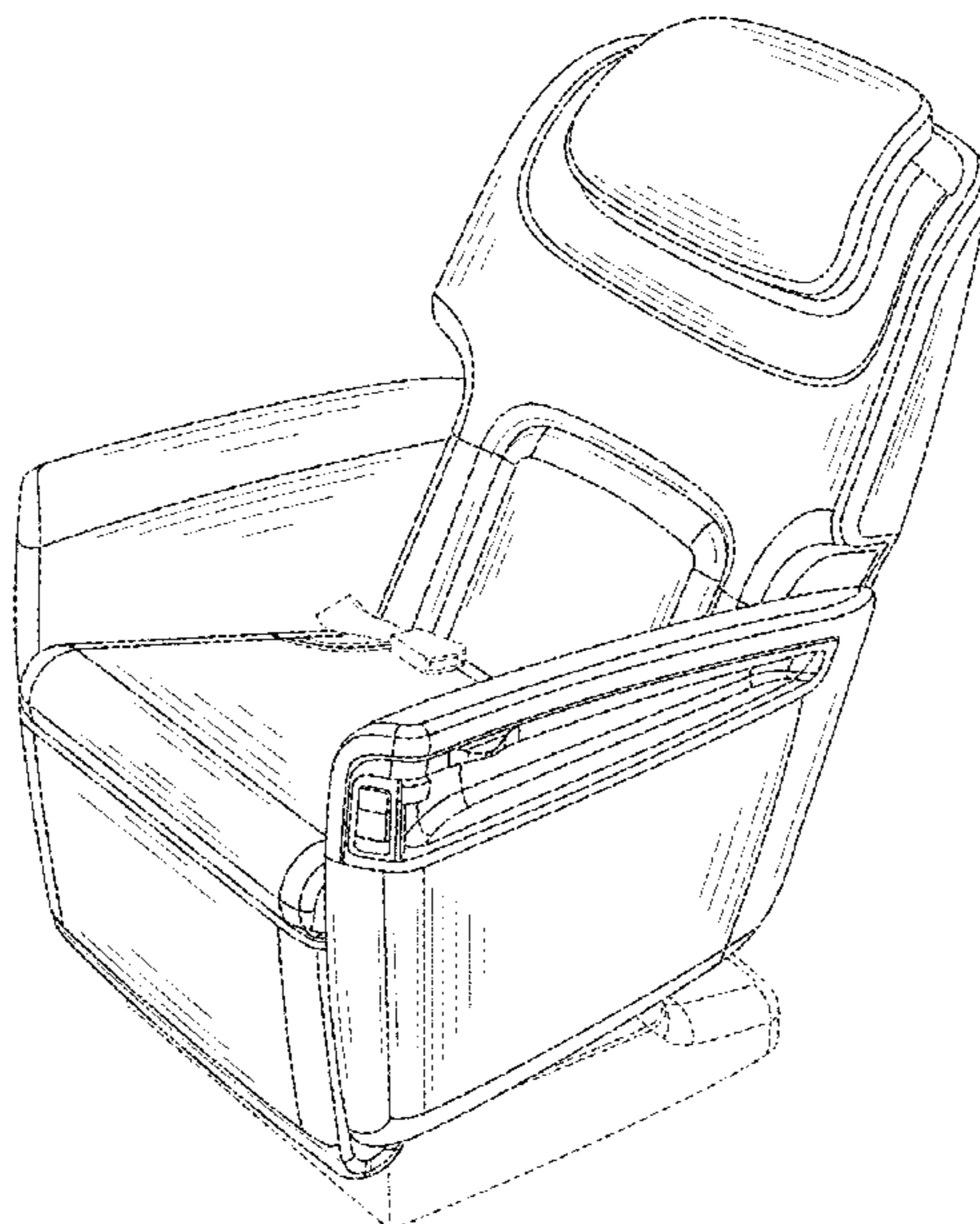
(57) **CLAIM**

The ornamental design for a vehicle seat, as shown and described.

DESCRIPTION

FIG. 1 is an isometric view of a vehicle seat showing, in particular, the ornamental design thereof.
FIG. 2 is a front end view of the vehicle seat of FIG. 1.
FIG. 3 is a rear end view of the vehicle seat of FIG. 1.
FIG. 4 is a left side view of the vehicle seat of FIG. 1.
FIG. 5 is a right side view of the vehicle seat of FIG. 1.
FIG. 6 is a top plan view of the vehicle seat of FIG. 1; and,
FIG. 7 is a bottom plan view of the vehicle seat of FIG. 1.
The broken lines in the drawings depict portions of the vehicle seat that form no part of the claimed design.

1 Claim, 7 Drawing Sheets



(56)

References Cited

U.S. PATENT DOCUMENTS

D415,373 S * 10/1999 Zaidman D6/365
 D417,982 S * 12/1999 Zaidman D6/365
 6,092,870 A * 7/2000 Desnoyers A47C 3/0255
 248/370
 6,170,786 B1 1/2001 Park et al.
 6,402,244 B1 6/2002 Schonenberg et al.
 6,412,870 B1 7/2002 Higgins
 6,481,798 B2 11/2002 Romca et al.
 D476,492 S * 7/2003 Yamamoto A47C 1/036
 D6/335
 6,644,738 B2 11/2003 Williamson
 6,692,069 B2 2/2004 Beroth et al.
 D487,981 S 4/2004 Ludeke et al.
 D488,629 S 4/2004 Giasson
 6,793,282 B2 9/2004 Plant et al.
 D505,796 S 6/2005 Johnson
 7,152,927 B1 * 12/2006 Halstrom A47C 1/036
 297/408
 D547,558 S * 7/2007 Egger D6/334
 7,311,354 B2 12/2007 Giasson
 D577,503 S 9/2008 Priestman
 D583,579 S 12/2008 Pearson et al.
 D590,161 S 4/2009 Scoley et al.
 D605,863 S 12/2009 Aruga et al.
 7,665,693 B2 2/2010 Bettell
 7,837,259 B2 11/2010 Staab et al.
 D657,981 S * 4/2012 Ping D6/365
 D658,409 S * 5/2012 Ping D6/365
 8,303,036 B2 11/2012 Hankinson et al.
 D671,774 S * 12/2012 Ping D6/365
 D672,170 S * 12/2012 Ping A47C 3/0255
 D6/365
 8,419,123 B2 4/2013 Hankinson et al.

D686,422 S 7/2013 Robinson
 D723,822 S 3/2015 Cai et al.
 D725,927 S 4/2015 Carter
 9,078,523 B2 * 7/2015 Menard A47C 1/12
 D750,392 S 3/2016 Wilkens
 D752,352 S * 3/2016 Erhel D6/356
 D800,464 S 10/2017 Larabie et al.
 D848,162 S * 5/2019 Yin D6/335
 2004/0004383 A1 1/2004 Laurent
 2004/0036336 A1 2/2004 Veneruso
 2006/0192052 A1 8/2006 Baumann
 2010/0032994 A1 2/2010 Lawson
 2010/0244534 A1 9/2010 Driessen et al.
 2010/0253129 A1 10/2010 Dowty et al.
 2011/0101751 A1 5/2011 Meister et al.
 2012/0074751 A1 3/2012 De La Garza et al.
 2014/0145476 A1 5/2014 Nagayasu
 2014/0375087 A1 12/2014 Kuno et al.
 2015/0008707 A1 1/2015 Erhel
 2016/0376007 A1 12/2016 Meindlhumer
 2017/0015423 A1 * 1/2017 Udriste B60N 2/995
 2020/0047890 A1 * 2/2020 Simpson B64D 11/0644

FOREIGN PATENT DOCUMENTS

EP 0 957 025 11/1999
 EP 1 074 468 2/2001
 EP 2 134 602 6/2013
 EP 2 134 603 4/2016
 EP 3 078 594 10/2016
 FR 3 042 450 4/2017
 GB 447327 11/1934
 WO WO 2007/072045 6/2007
 WO WO 2008/107689 9/2008
 WO WO 2008/122761 10/2008
 WO WO 2016/049351 3/2016

* cited by examiner

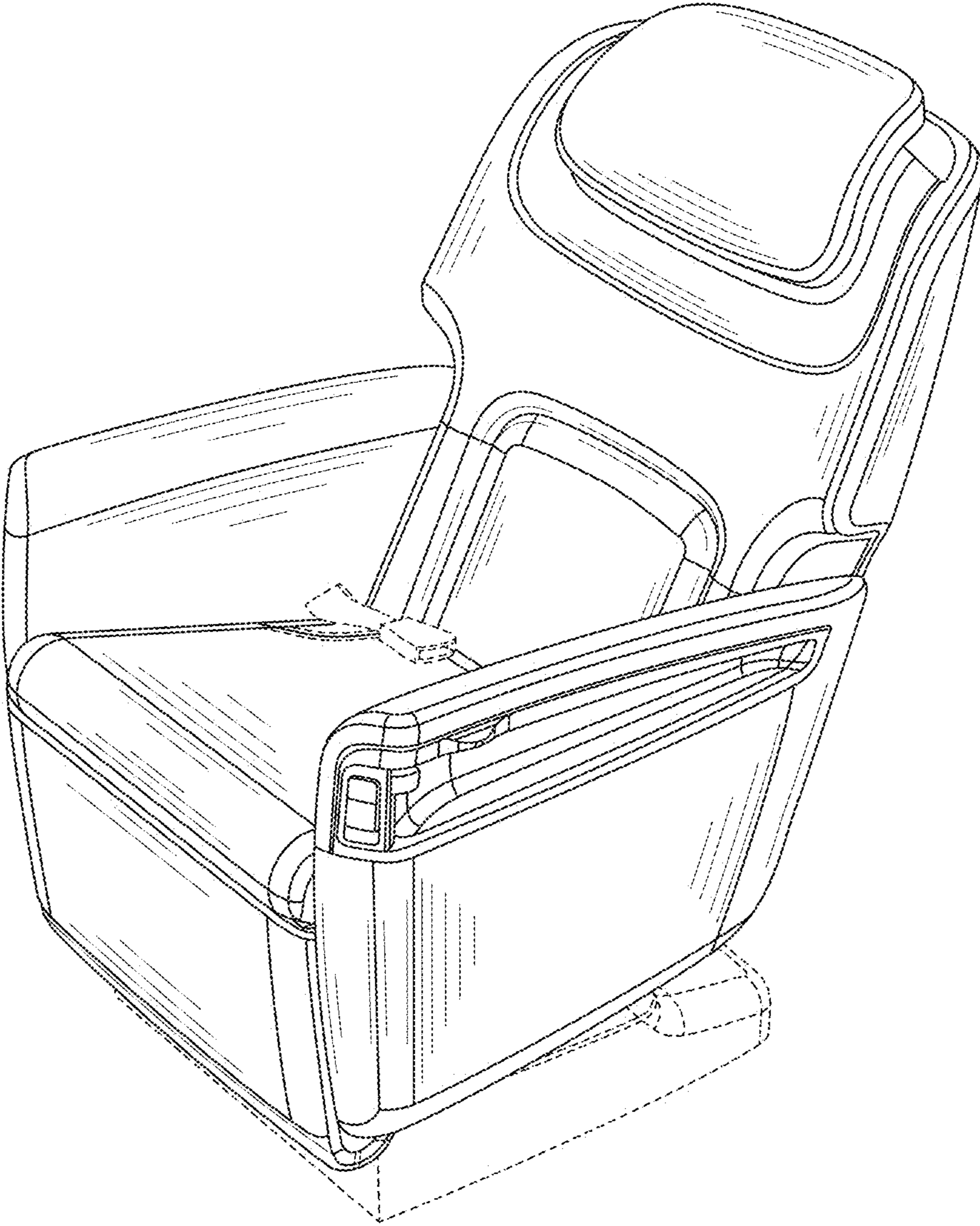


FIG. 1

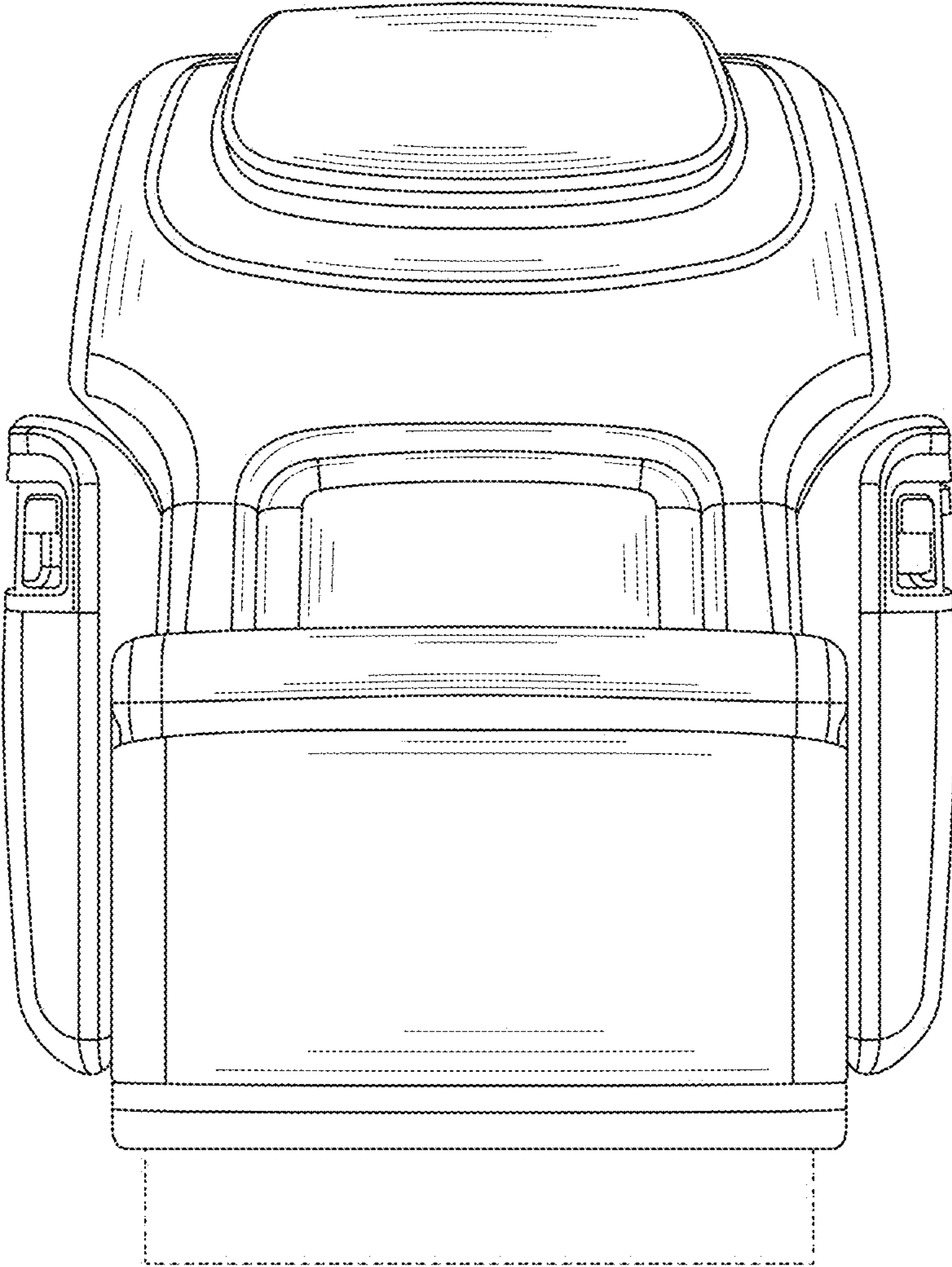


FIG. 2

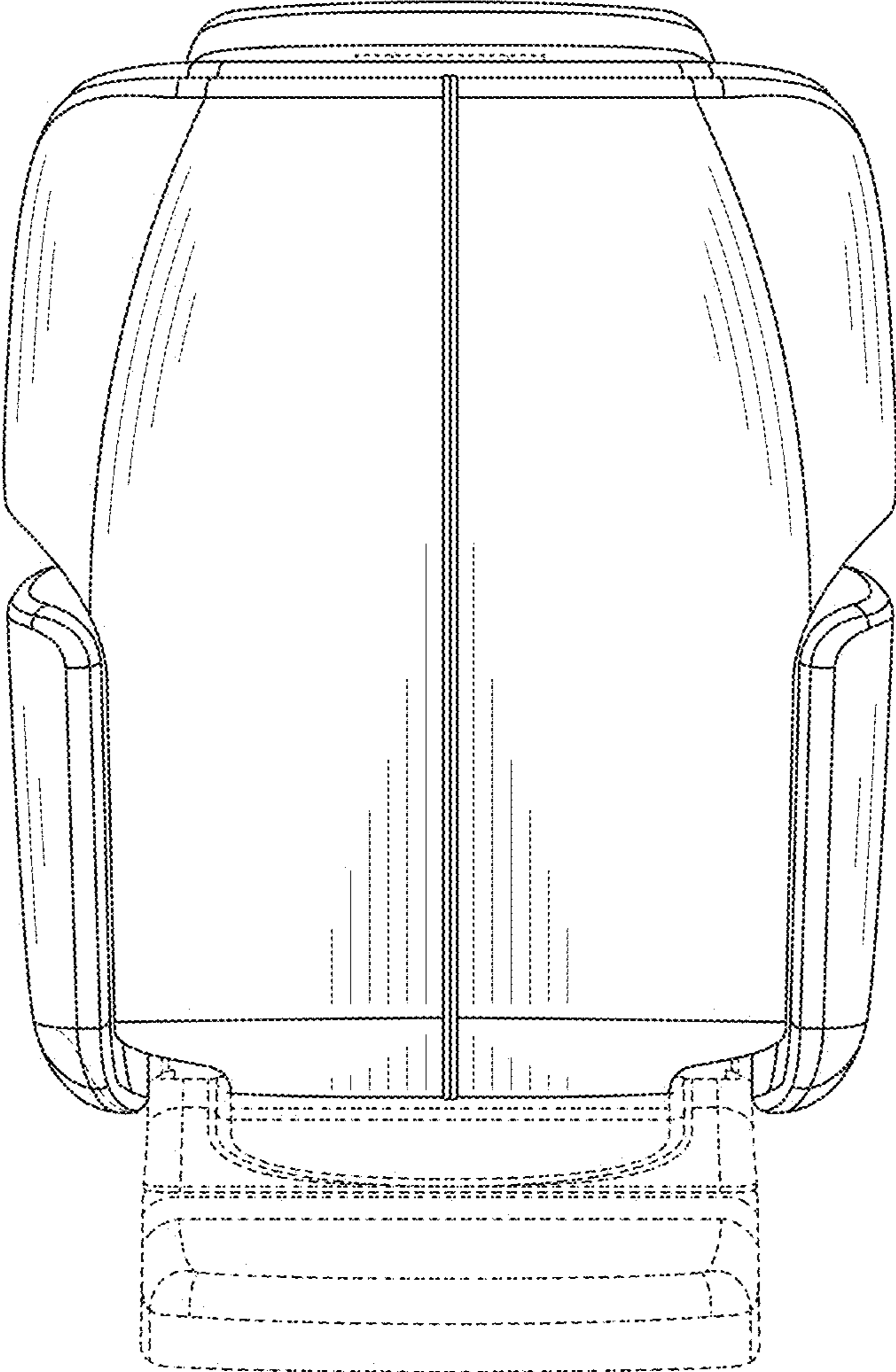


FIG. 3

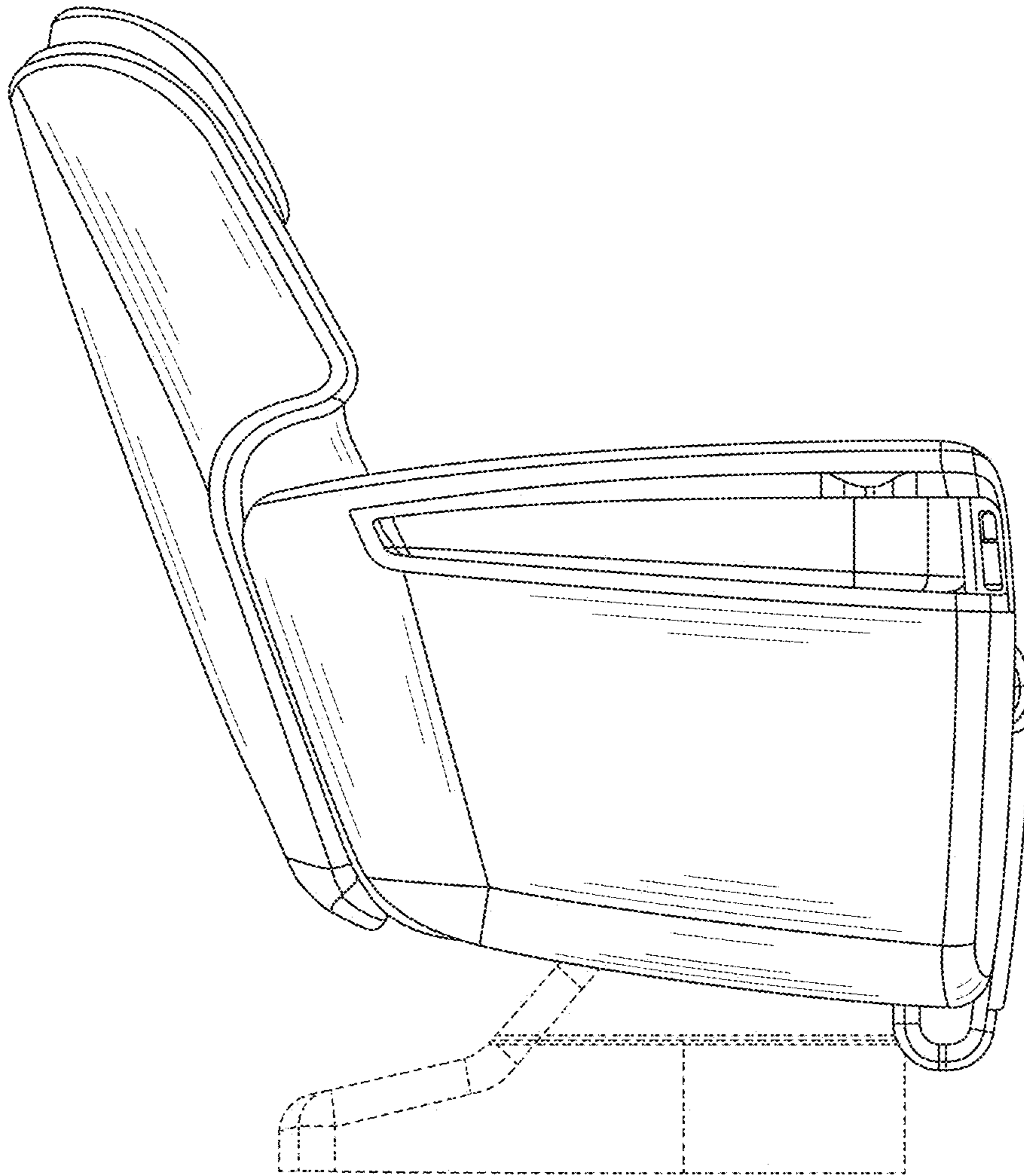


FIG. 4

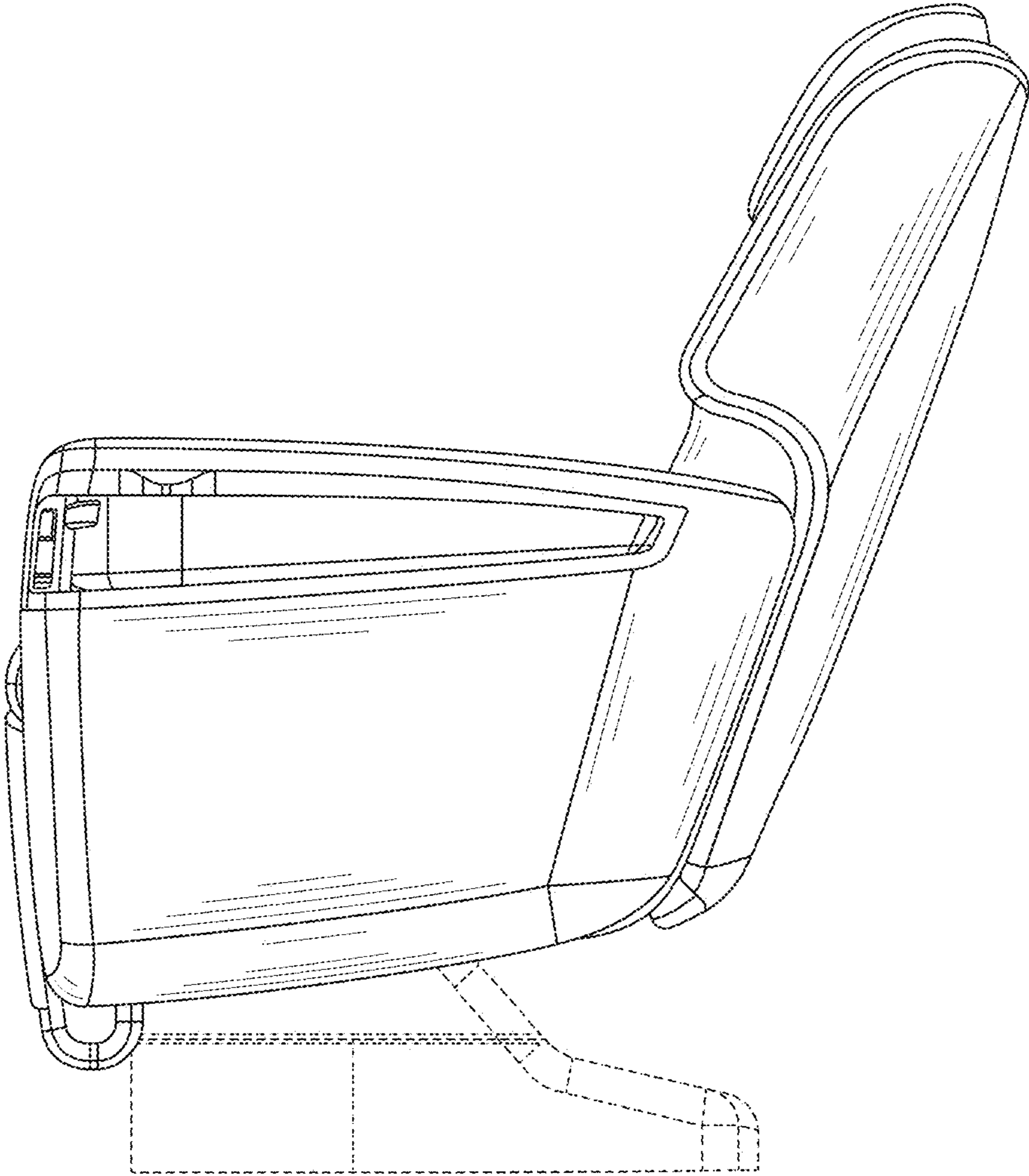


FIG. 5

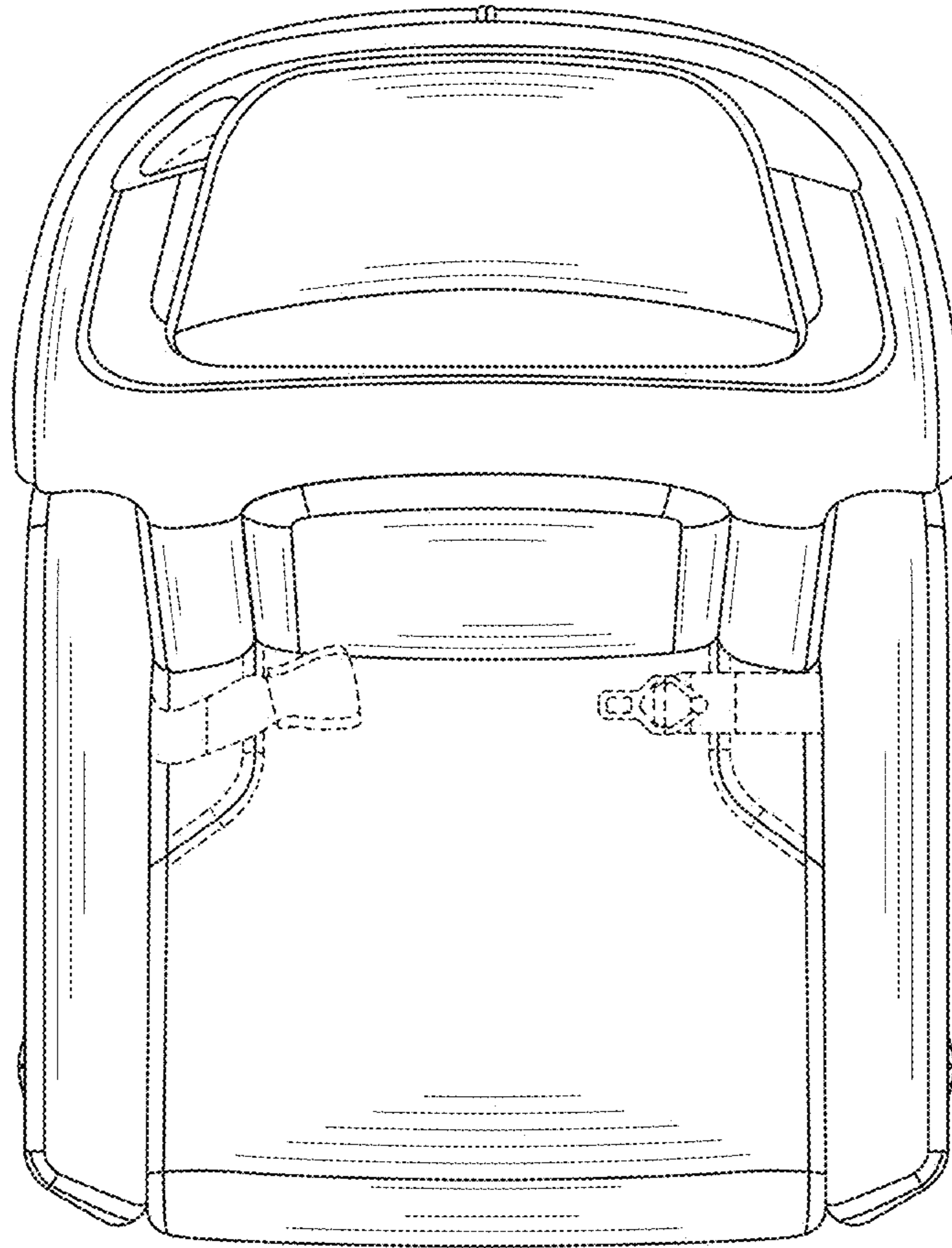


FIG. 6

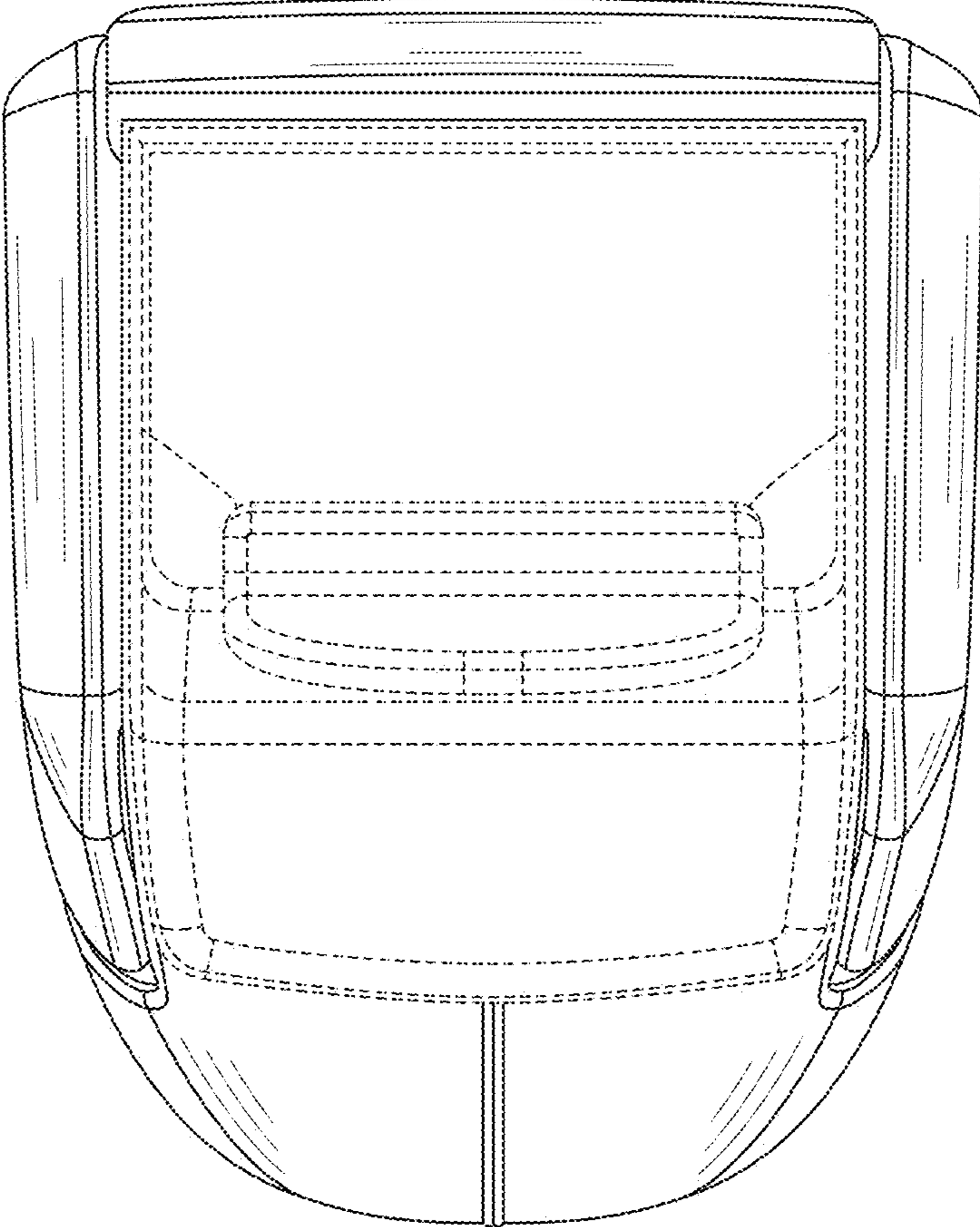


FIG. 7