



US00D927205S

(12) **United States Design Patent**
Zhang

(10) **Patent No.:** **US D927,205 S**

(45) **Date of Patent:** **** Aug. 10, 2021**

(54) **STORAGE PANEL AND MIRROR COMBINATION**

(71) Applicant: **Jianliang Zhang**, Jiangsu (CN)

(72) Inventor: **Jianliang Zhang**, Jiangsu (CN)

(**) Term: **15 Years**

(21) Appl. No.: **29/659,136**

(22) Filed: **Aug. 7, 2018**

(30) **Foreign Application Priority Data**

May 24, 2018 (CN) 201830247185.5

(51) **LOC (13) Cl.** **06-07**

(52) **U.S. Cl.**
USPC **D6/310; D19/113**

(58) **Field of Classification Search**
USPC D6/300, 310, 312; D19/113
CPC A47G 1/0627; A47G 1/00; A47G 1/02;
A47G 1/0616; A47G 1/143
See application file for complete search history.

(56) **References Cited**

U.S. PATENT DOCUMENTS

D486,831 S * 2/2004 Dayani D14/448
D567,512 S * 4/2008 Molenaar D6/300

D567,858 S * 4/2008 Donat D19/113
D573,187 S * 7/2008 Donat D19/113
D573,188 S * 7/2008 Donat D19/113
D592,863 S * 5/2009 Hoehn D6/310
D683,140 S * 5/2013 Stroud D6/300
D825,659 S * 8/2018 He D19/113
D829,007 S * 9/2018 Choi D6/310

* cited by examiner

Primary Examiner — Deanna L Pratt

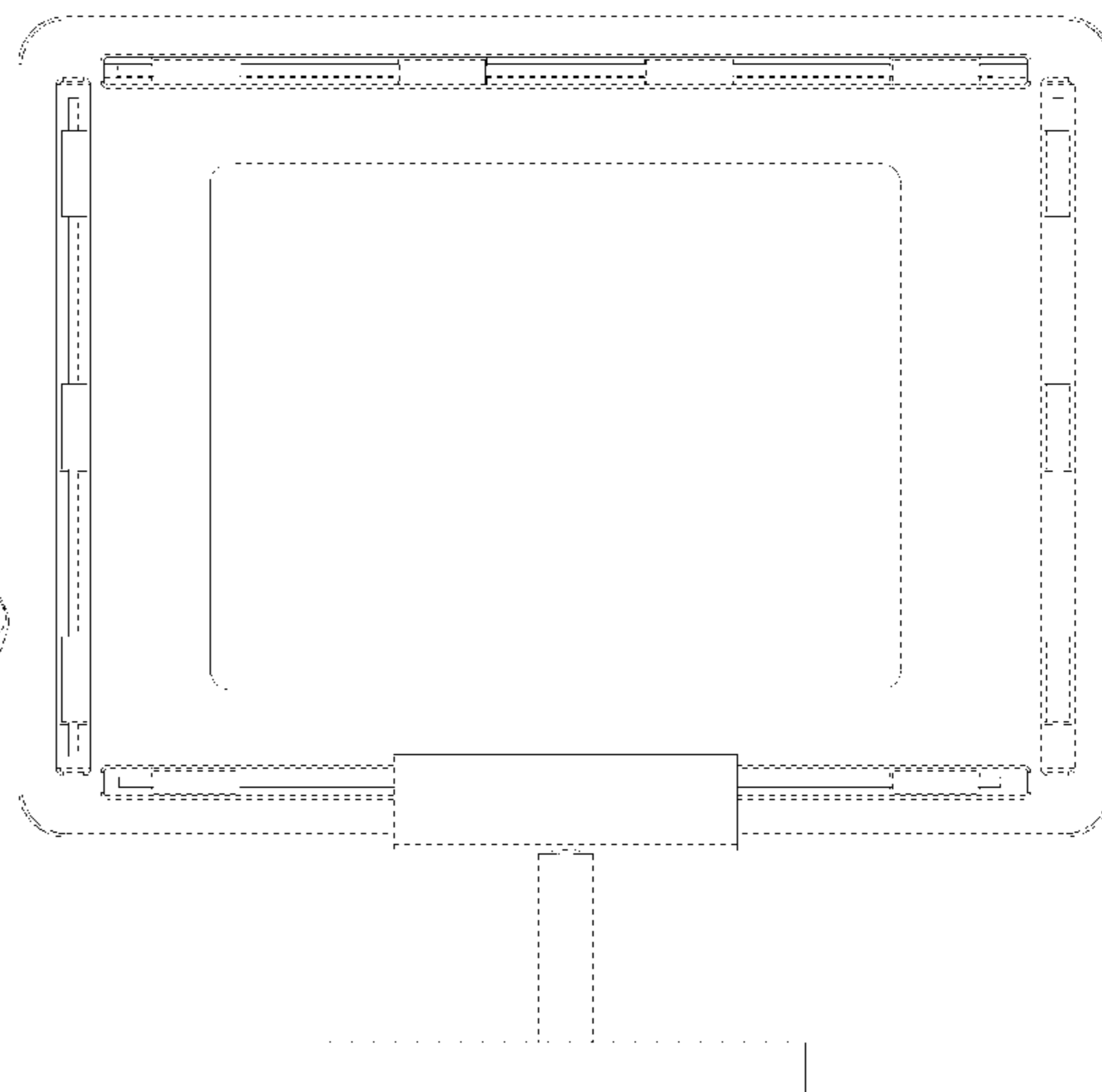
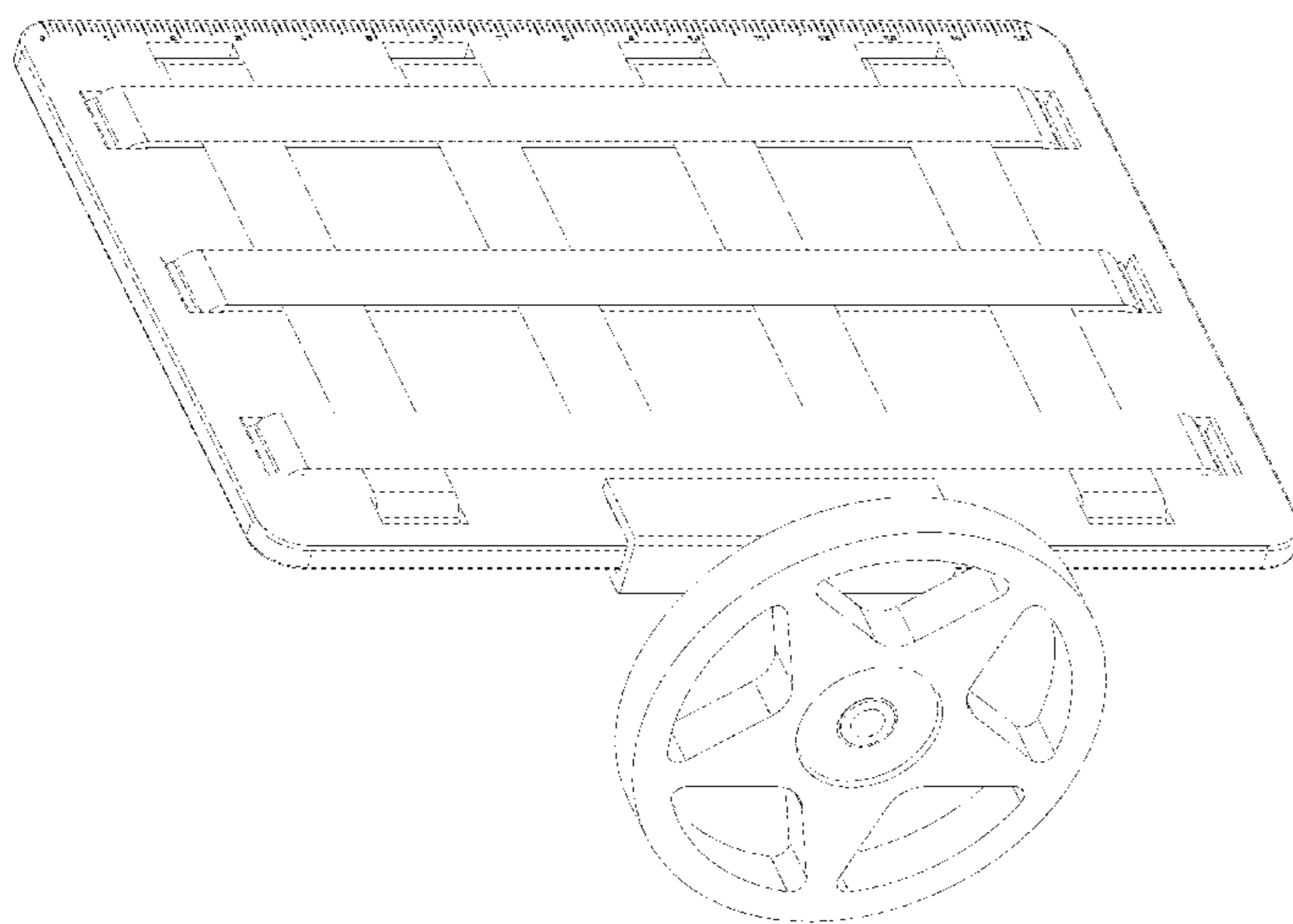
(57) **CLAIM**

The ornamental design for a storage panel and mirror combination, as shown and described.

DESCRIPTION

FIG. 1 is a perspective view of a storage panel and mirror combination showing my new design; FIG. 2 is a front elevational view thereof; FIG. 3 is a rear elevational view thereof; FIG. 4 is a left side view thereof; FIG. 5 is a right side view thereof; FIG. 6 is a top plan view thereof; and, FIG. 7 is a bottom plan view thereof.

1 Claim, 5 Drawing Sheets



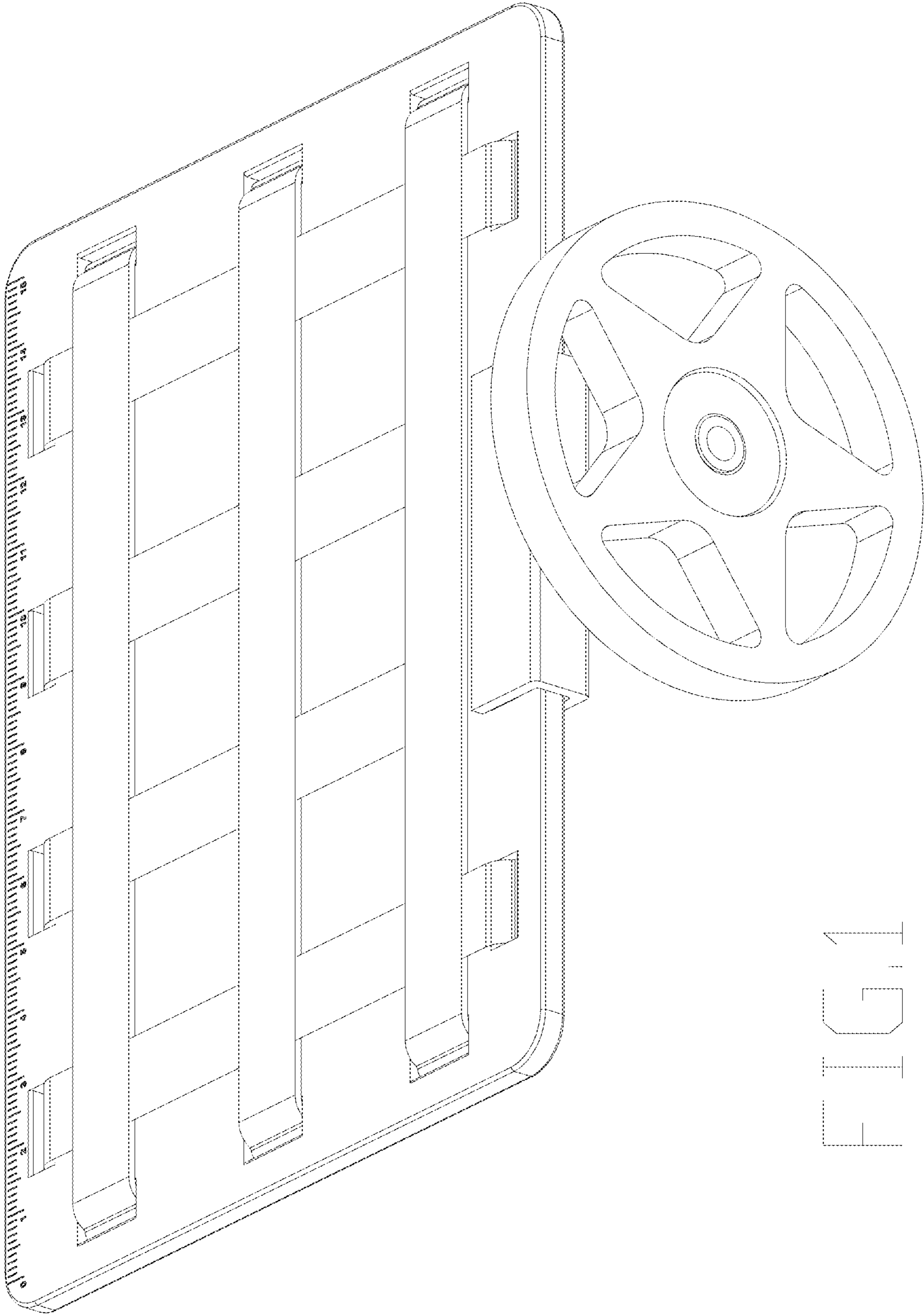


FIG. 1

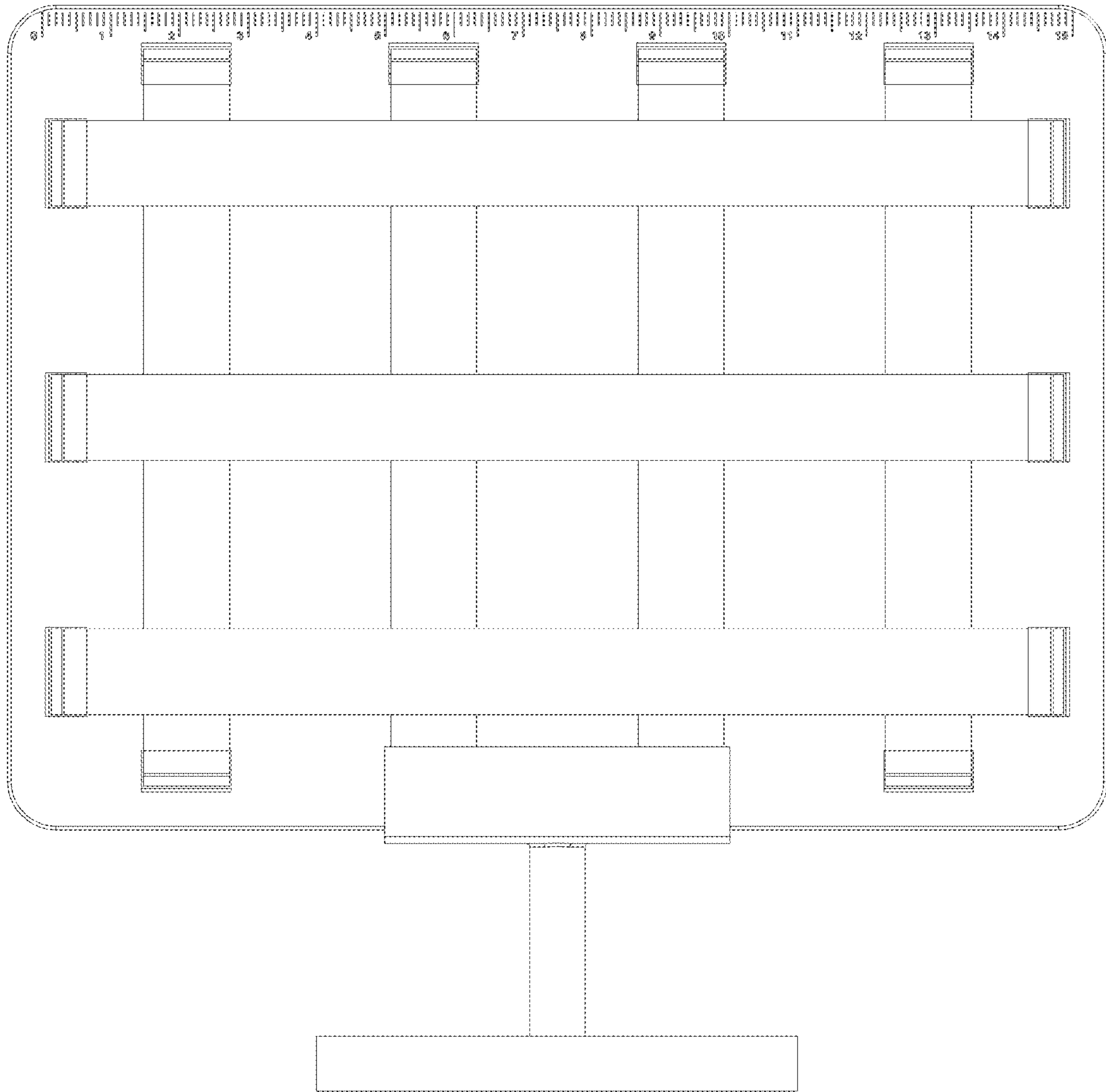


FIG. 2

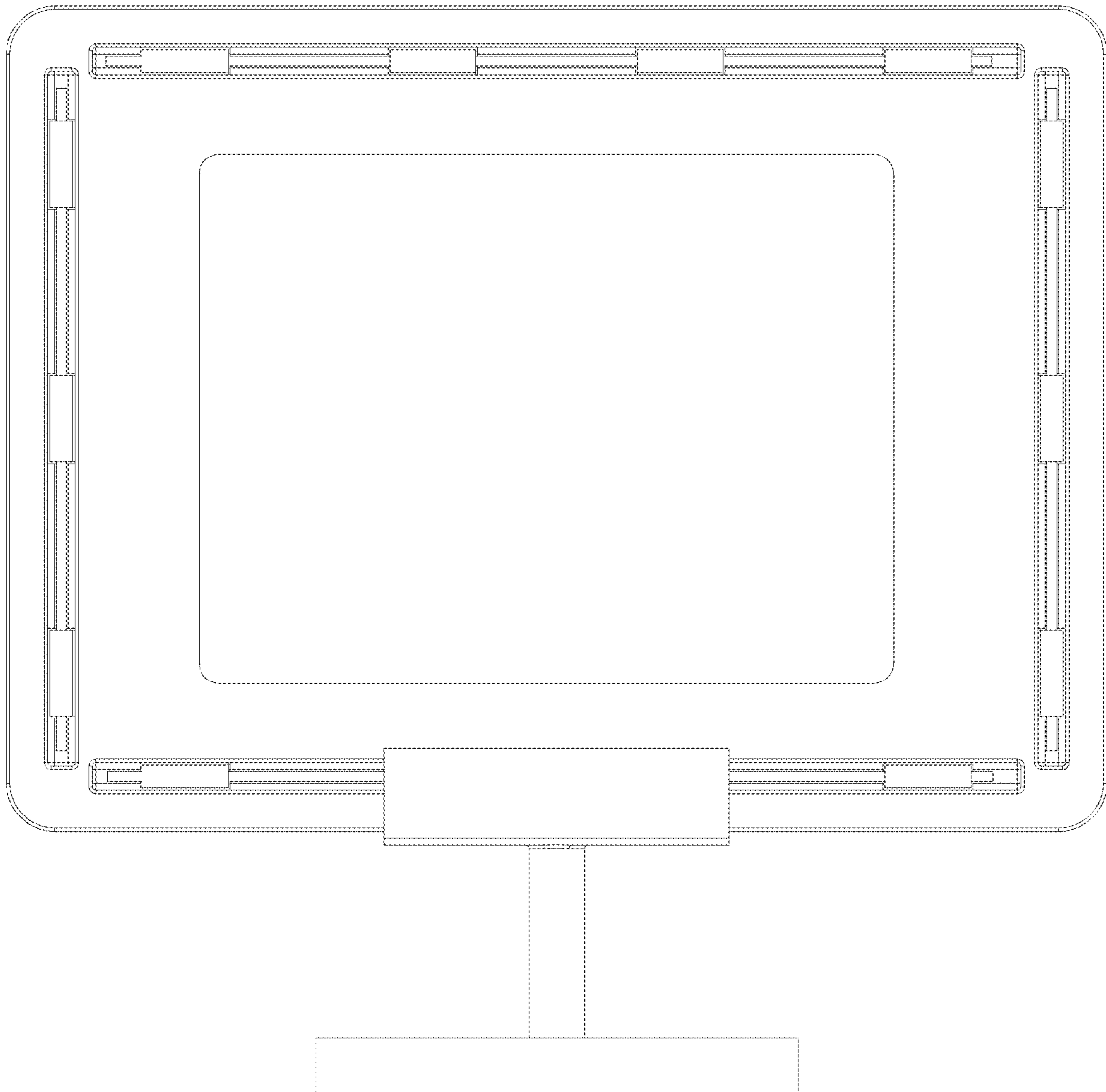


FIG. 3

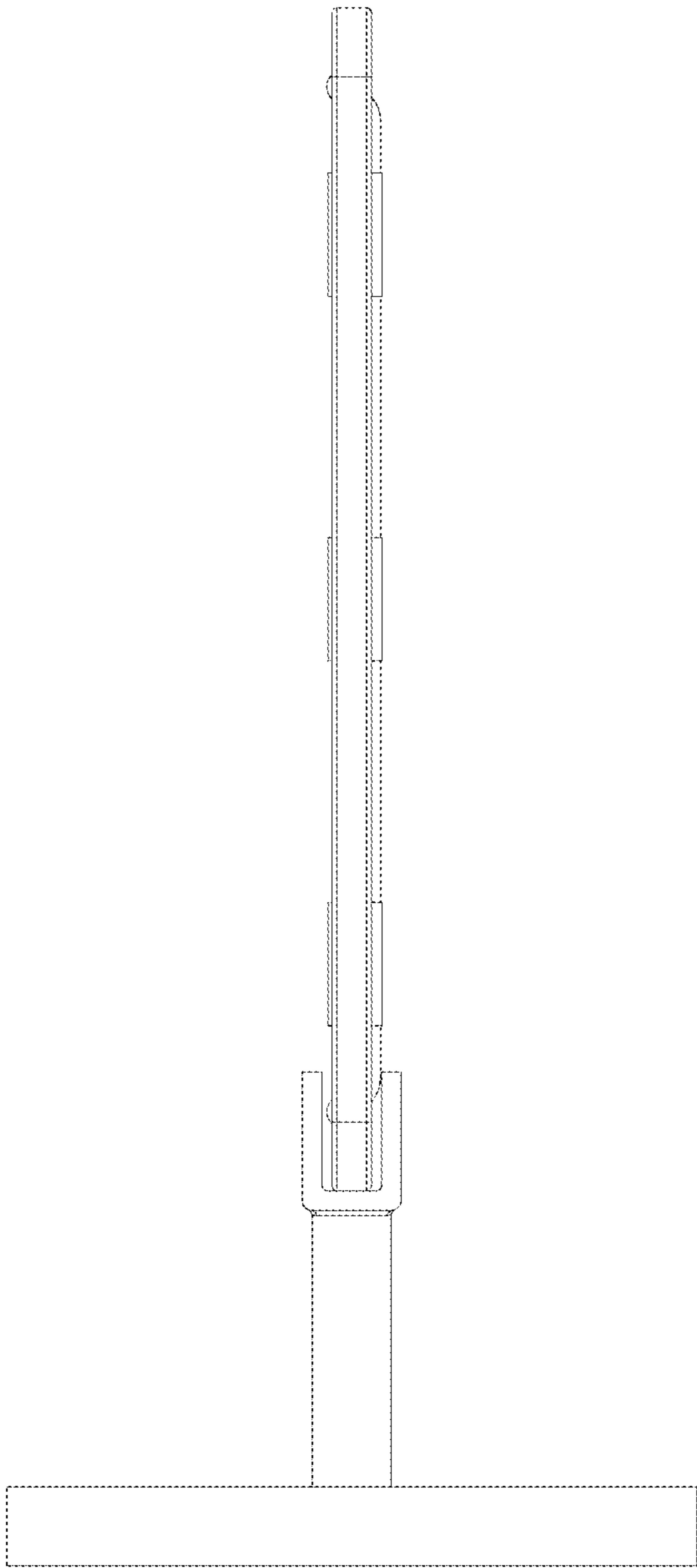


FIG. 4

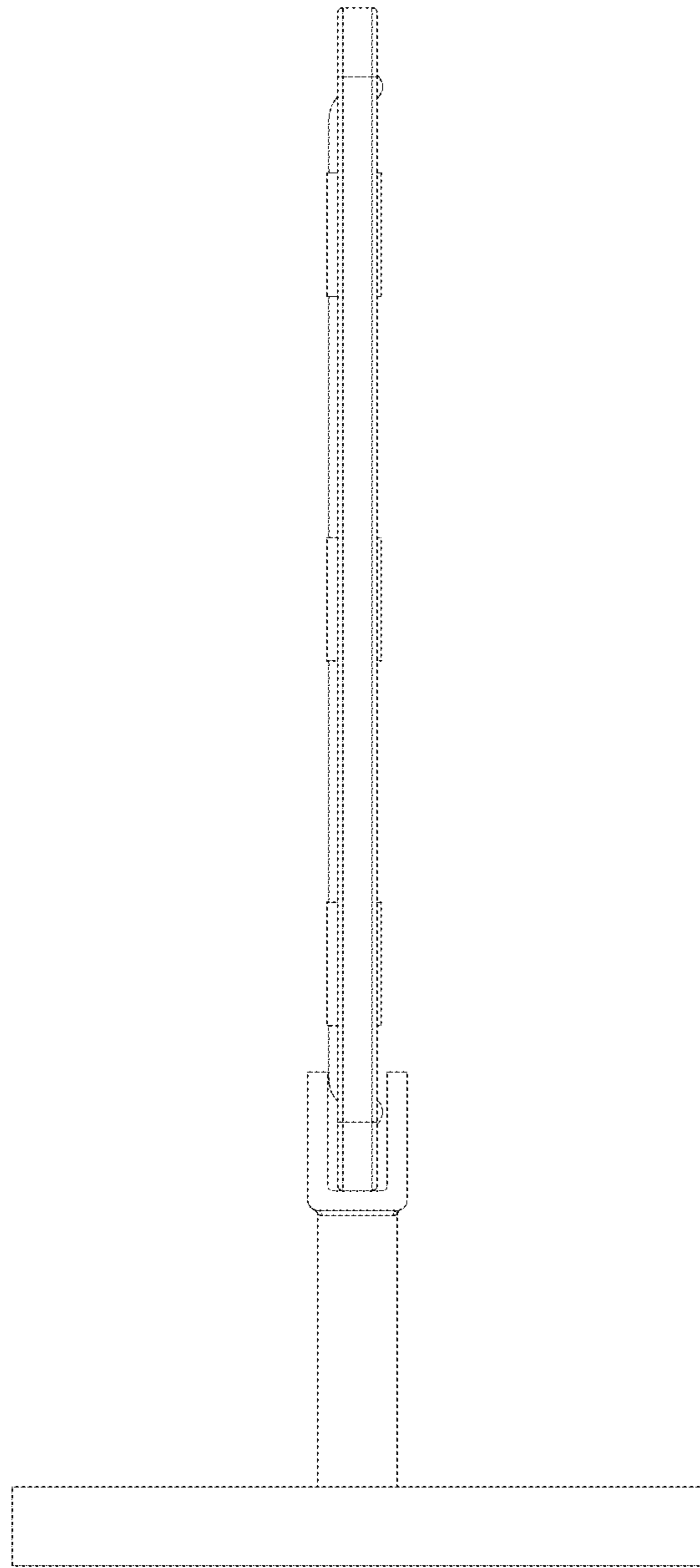


FIG. 5

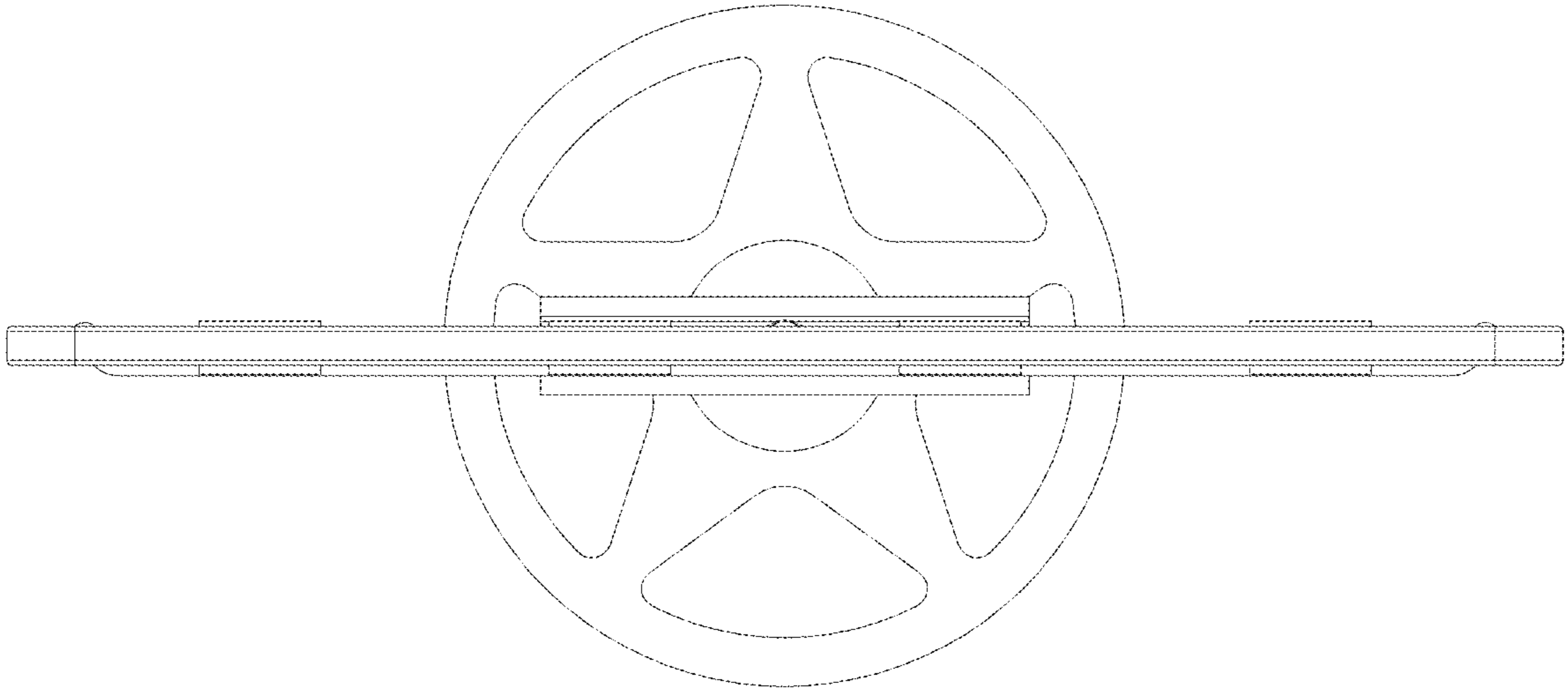


FIG. 6

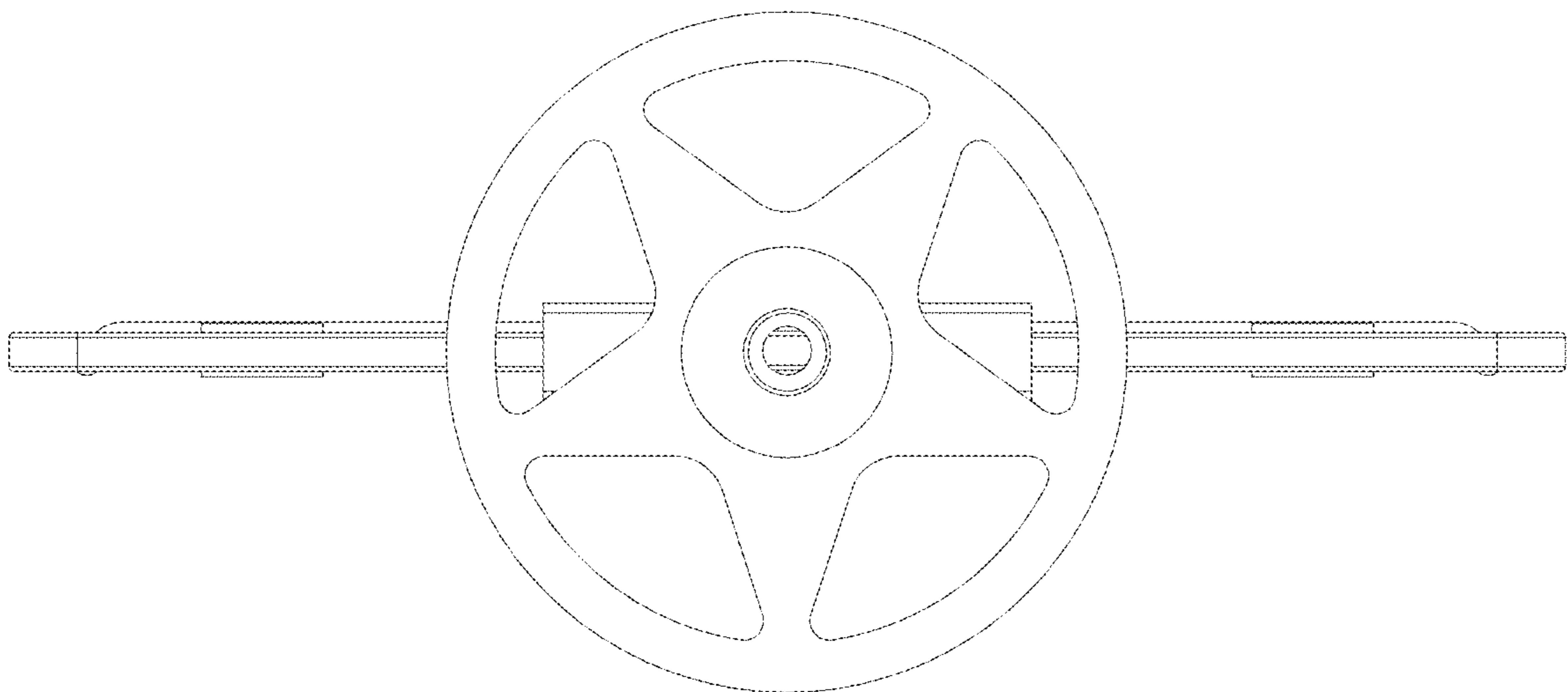


FIG. 7