



US00D927203S

(12) **United States Design Patent**
Semoff

(10) **Patent No.:** **US D927,203 S**

(45) **Date of Patent:** **** Aug. 10, 2021**

(54) **NON-WOVEN FABRIC SHEET WITH ADHESIVE**

(71) Applicant: **Scent2Market Inc.**, Yonkers, NY (US)

(72) Inventor: **Steven Semoff**, New York, NY (US)

(73) Assignee: **Scent2Market Inc.**, Yonkers, NY (US)

(**) Term: **15 Years**

(21) Appl. No.: **29/631,240**

(22) Filed: **Dec. 28, 2017**

(51) **LOC (13) Cl.** **05-05**

(52) **U.S. Cl.**
USPC **D5/62; D5/57; D5/99**

(58) **Field of Classification Search**
USPC D5/1-4, 6, 7, 11, 16, 19, 20, 23, 32, 43, D5/44, 46-64, 66, 99; D6/578, 582-584, D6/587, 592, 600, 602, 603, 610, 613, D6/615, 702, 703, 703.3, 707, 707.21, D6/718, 718.13, 719; D19/1, 5, 26; D25/105, 110-112, 138, 140, 149, 151; D32/40
CPC ... B31F 1/00; B31F 1/07; B32B 3/266; B32B 5/024; B44F 1/00; B44F 1/02; B44F 1/08; B44F 1/10; B44F 5/00; B44F 7/00; B44F 9/00; B44F 9/04; B44F 11/00; B44F 11/02; B44F 11/04; D03D 1/00; D04H 1/00; D04H 1/02; D10B 2503/04; D21H 27/02

See application file for complete search history.

(56) **References Cited**

U.S. PATENT DOCUMENTS

237,223 A *	2/1881	Wight	B42D 1/001
				281/16
732,889 A *	7/1903	Paver	B65D 65/22
				229/92
D124,584 S *	1/1941	Schwartz	D5/62
D125,106 S *	2/1941	Kivelson	D5/62

D127,402 S *	5/1941	Schwartz	D5/62
RE22,007 E *	1/1942	Stevens	B41L 1/24
				462/57
3,271,922 A *	9/1966	Wallerstein	B65B 25/02
				53/399

(Continued)

OTHER PUBLICATIONS

Post-It Note Advertisement. https://www.post-it.com/3M/en_US/post-it/, Retrieved from Internet Dec. 28, 2017.

Primary Examiner — Wendy L Arminio

(74) Attorney, Agent, or Firm — Buchanan Ingersoll & Rooney PC

(57) **CLAIM**

The ornamental design for a non-woven fabric sheet with adhesive, as shown and described.

DESCRIPTION

FIG. 1 is a top perspective view of a non-woven fabric sheet with adhesive;

FIG. 2 is another top perspective view of the non-woven fabric sheet with adhesive;

FIG. 3 is a bottom perspective view of the non-woven fabric sheet with adhesive, wherein the bottom view shows the adhesive portion of the fabric sheet;

FIG. 4 is a top view of the non-woven fabric sheet with adhesive;

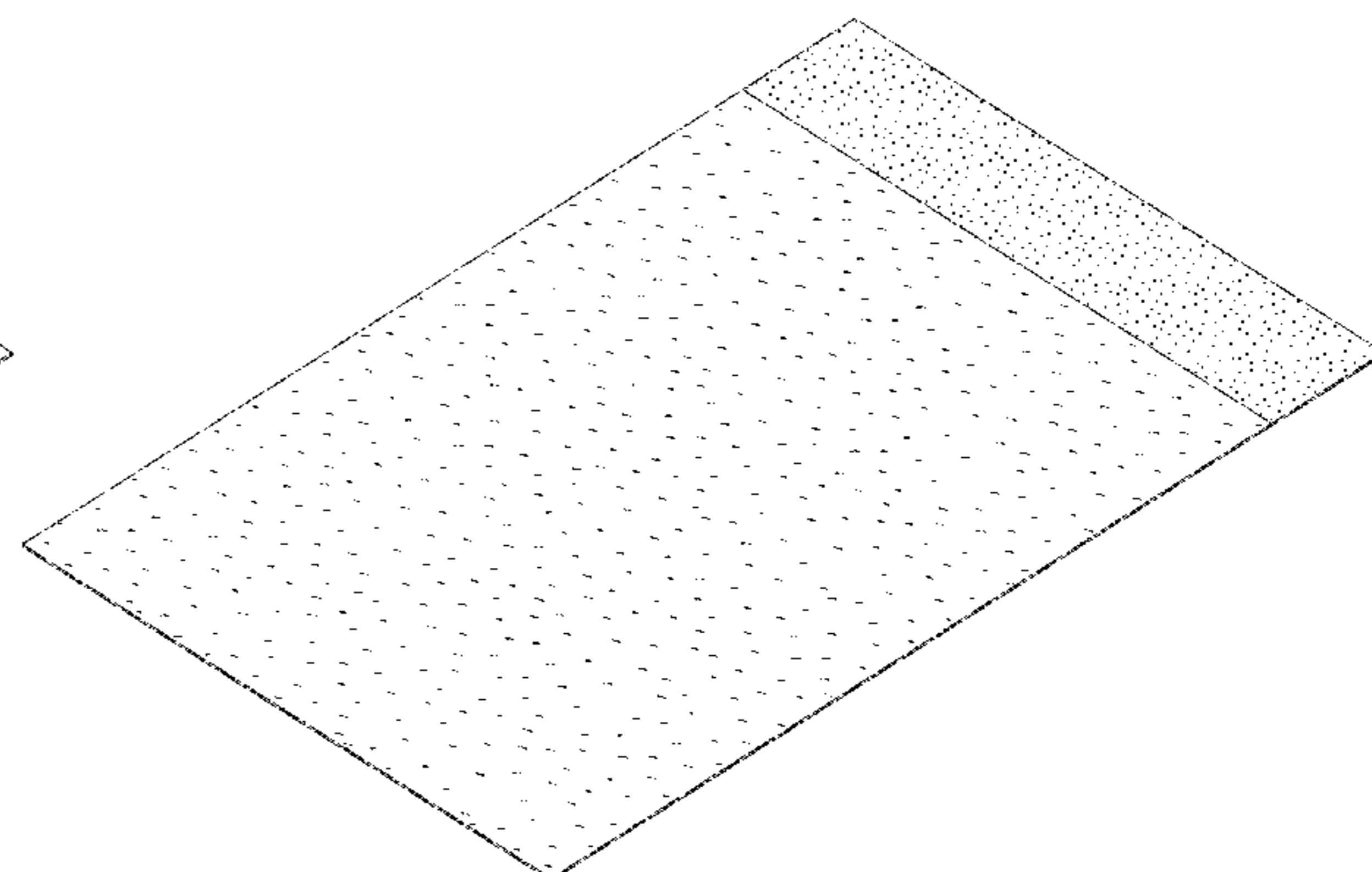
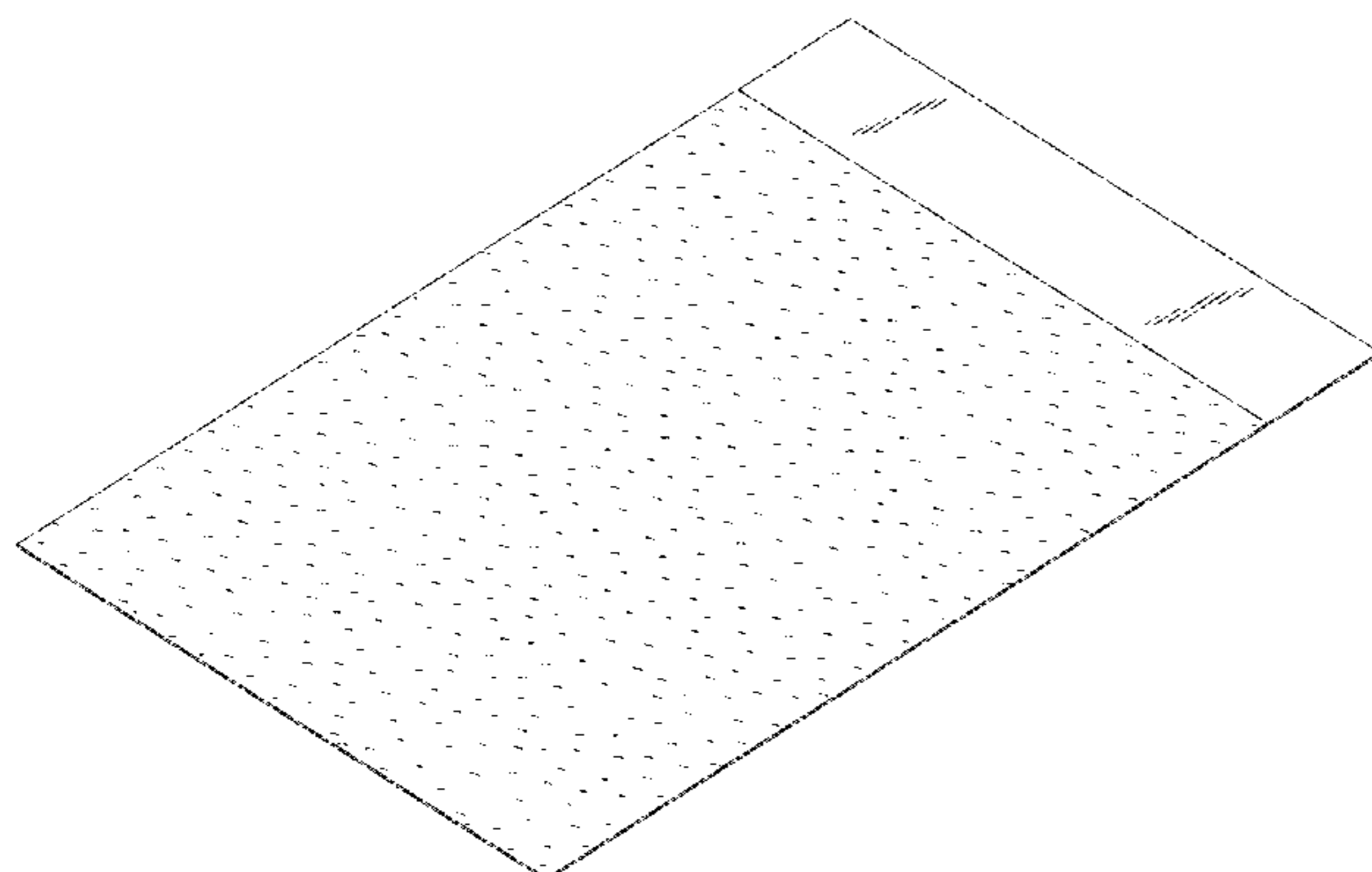
FIG. 5 is a bottom view of the non-woven fabric sheet with adhesive;

FIG. 6 is a left-hand side view of the non-woven fabric sheet with adhesive, wherein a right-hand side view is a mirror image of the left-hand side view;

FIG. 7 is a front view of the non-woven fabric sheet with adhesive, wherein a rear view is a mirror image of the front view; and,

FIG. 8 is another left-hand side view of the non-woven fabric sheet with adhesive.

1 Claim, 9 Drawing Sheets



US D927,203 S

(56)

References Cited

U.S. PATENT DOCUMENTS

4,590,109	A *	5/1986	Holmberg	B42C 9/0081 156/247	D680,166 S *	4/2013	Sato	D19/1
4,798,401	A *	1/1989	Greig	B41M 5/124 462/20	D681,110 S	4/2013	Sato et al.	
4,980,212	A *	12/1990	Marquis	B42D 5/003 281/15.1	D727,420 S *	4/2015	Kuo	D19/26
5,194,299	A *	3/1993	Fry	C09J 7/38 427/208.6	9,233,516 B2	1/2016	Kusin et al.	
5,200,242	A *	4/1993	Hohmann	B41M 5/00 347/105	D779,590 S *	2/2017	Pryor	D19/1
5,286,546	A *	2/1994	Su	B42D 5/003 281/15.1	D787,199 S *	5/2017	Stanfill	D5/57
5,318,825	A *	6/1994	Naber	B32B 7/14 283/74	9,795,142 B2	10/2017	Hitchcock et al.	
5,615,534	A *	4/1997	Weder	A01G 5/04 29/469.5	9,949,609 B2	4/2018	Baer et al.	
5,756,187	A *	5/1998	Kuo	B41L 1/36 156/60	D847,408 S *	4/2019	Vasylyev	D26/120
5,816,020	A *	10/1998	Weder	A01G 5/04 53/397	10,358,766 B1 *	7/2019	Semoff	D06M 17/04
5,989,667	A *	11/1999	Tayebi	B42D 5/003 283/81	2001/0031331 A1 *	10/2001	Kuo	B32B 7/06 428/40.1
6,001,209	A *	12/1999	Popat	B42D 5/003 156/249	2001/0038892 A1 *	11/2001	Weder	B32B 5/18 428/34.1
D441,539	S	5/2001	Streit		2002/0004113 A1 *	1/2002	Weder	A01G 9/02 428/35.7
6,403,189	B1 *	6/2002	Donahue	B42F 15/066 24/67 AR	2003/0030267 A1 *	2/2003	Darvish	B42D 5/003 281/28
6,767,591	B2 *	7/2004	Meccia	B43L 1/08 427/208	2003/0077413 A1 *	4/2003	Shah	B42D 5/003 428/40.1
D505,552	S *	5/2005	Pommier	D5/57	2003/0178837 A1 *	9/2003	Ung	B42D 15/0093 281/9
D578,309	S *	10/2008	Johnston	D5/47	2005/0163957 A1 *	7/2005	Kuo	B42D 5/006 428/40.1
D623,422	S *	9/2010	Williams	D5/57	2006/0068145 A1 *	3/2006	Chandaria	B42D 5/003 428/40.1
7,794,737	B2	9/2010	Fish et al.		2011/0156381 A1	6/2011	Kuo et al.	
D659,324	S *	5/2012	Davis	D32/43	2012/0123380 A1	5/2012	Deerin	
					2012/0315420 A1 *	12/2012	Kuo	C09J 7/38 428/40.2
					2012/0315421 A1 *	12/2012	Kuo	C09J 7/38 428/40.2
					2014/0065383 A1 *	3/2014	Tackett	D21H 19/12 428/201
					2016/0185546 A1 *	6/2016	Seger	B65H 18/28 242/550
					2017/0057272 A1 *	3/2017	Chang	B42D 5/003

* cited by examiner

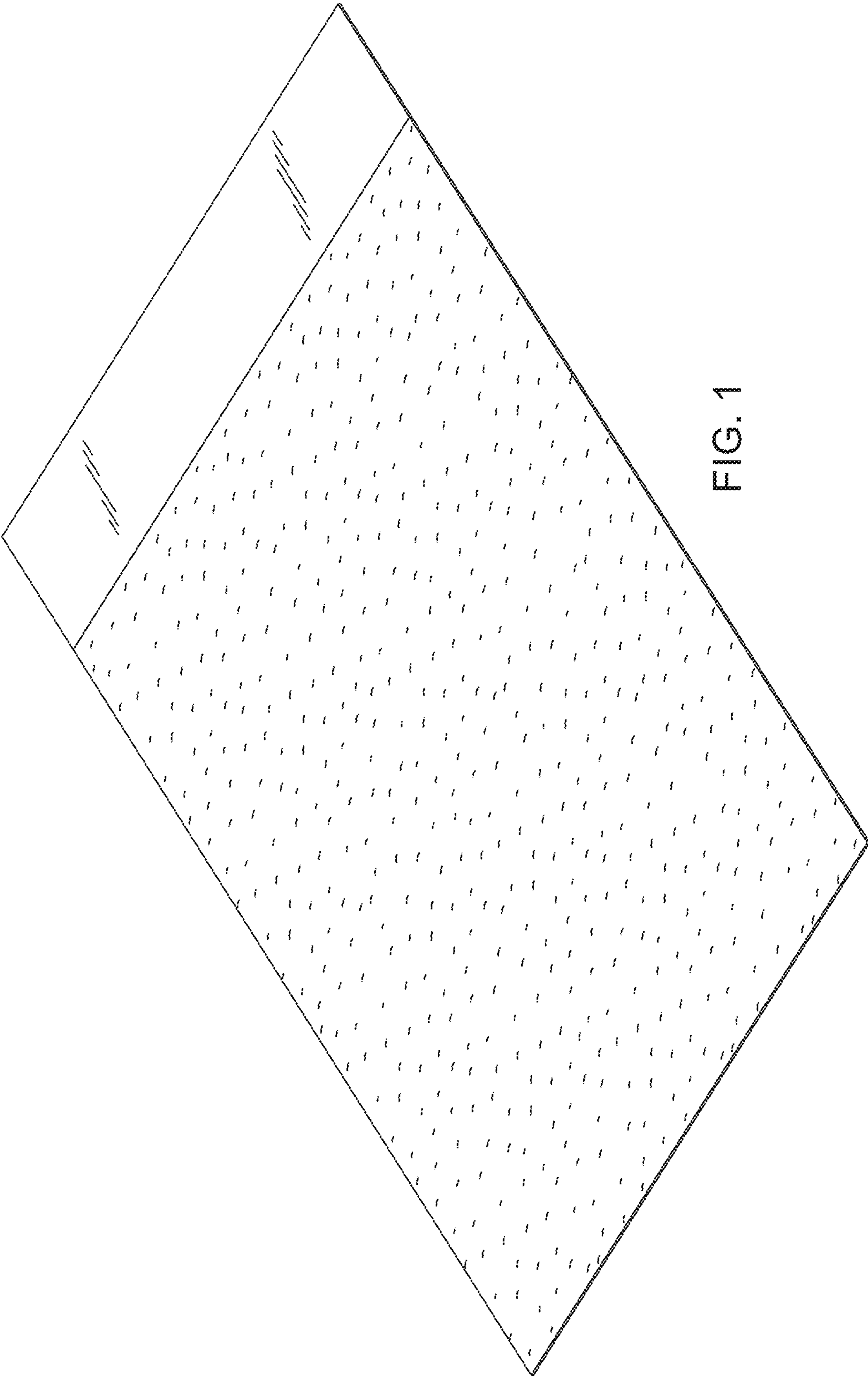


FIG. 1

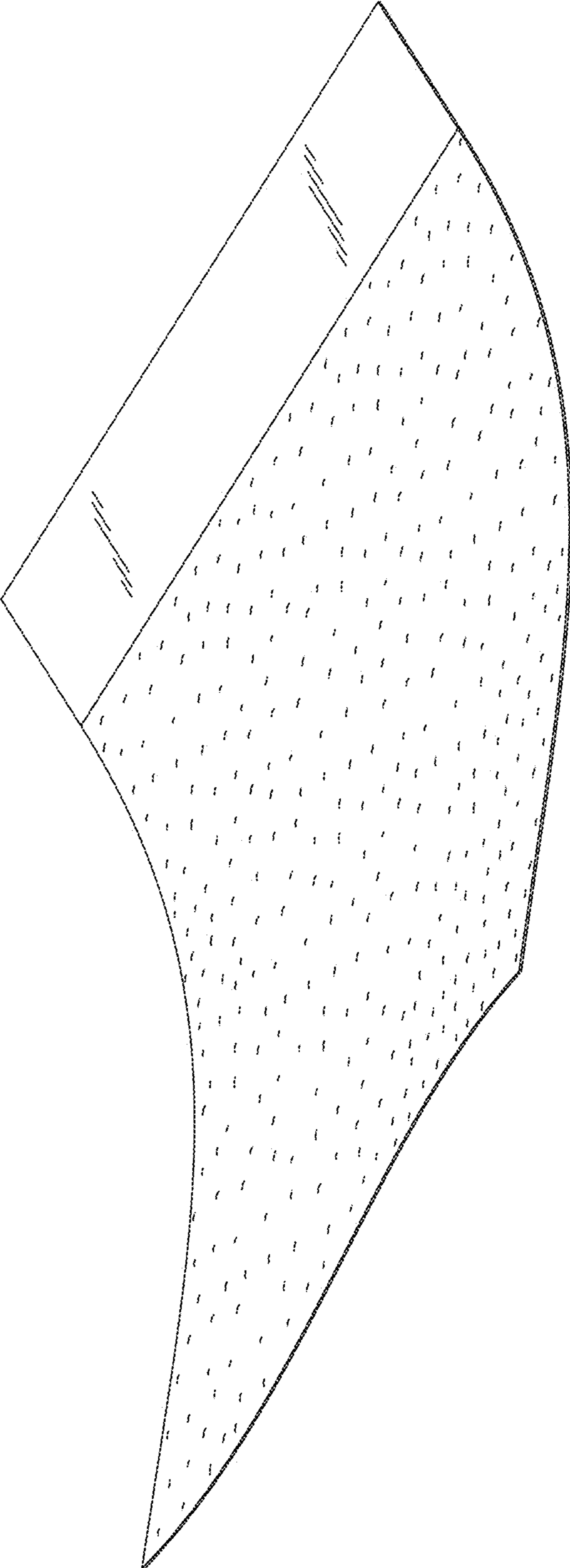


FIG. 2

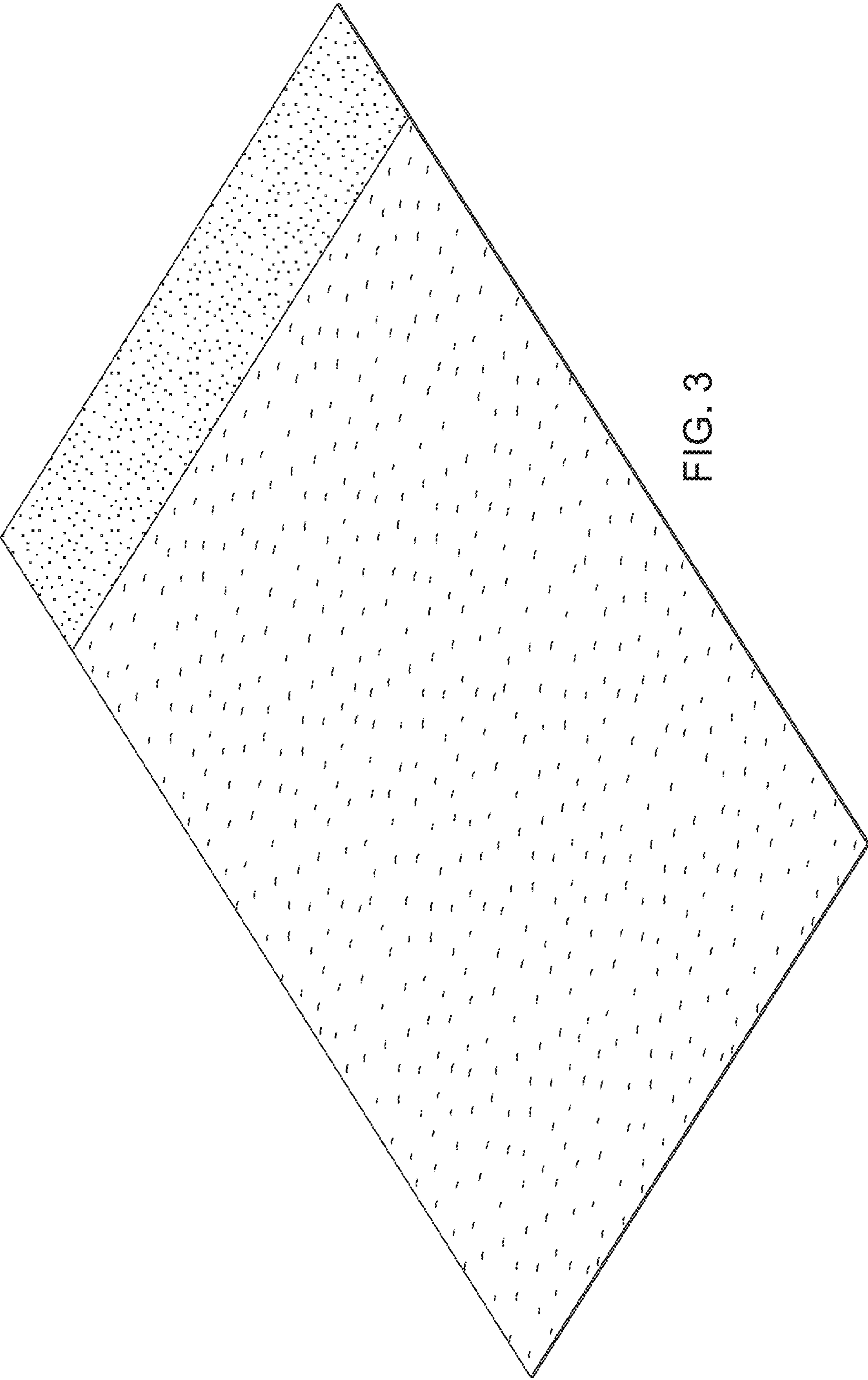


FIG. 3

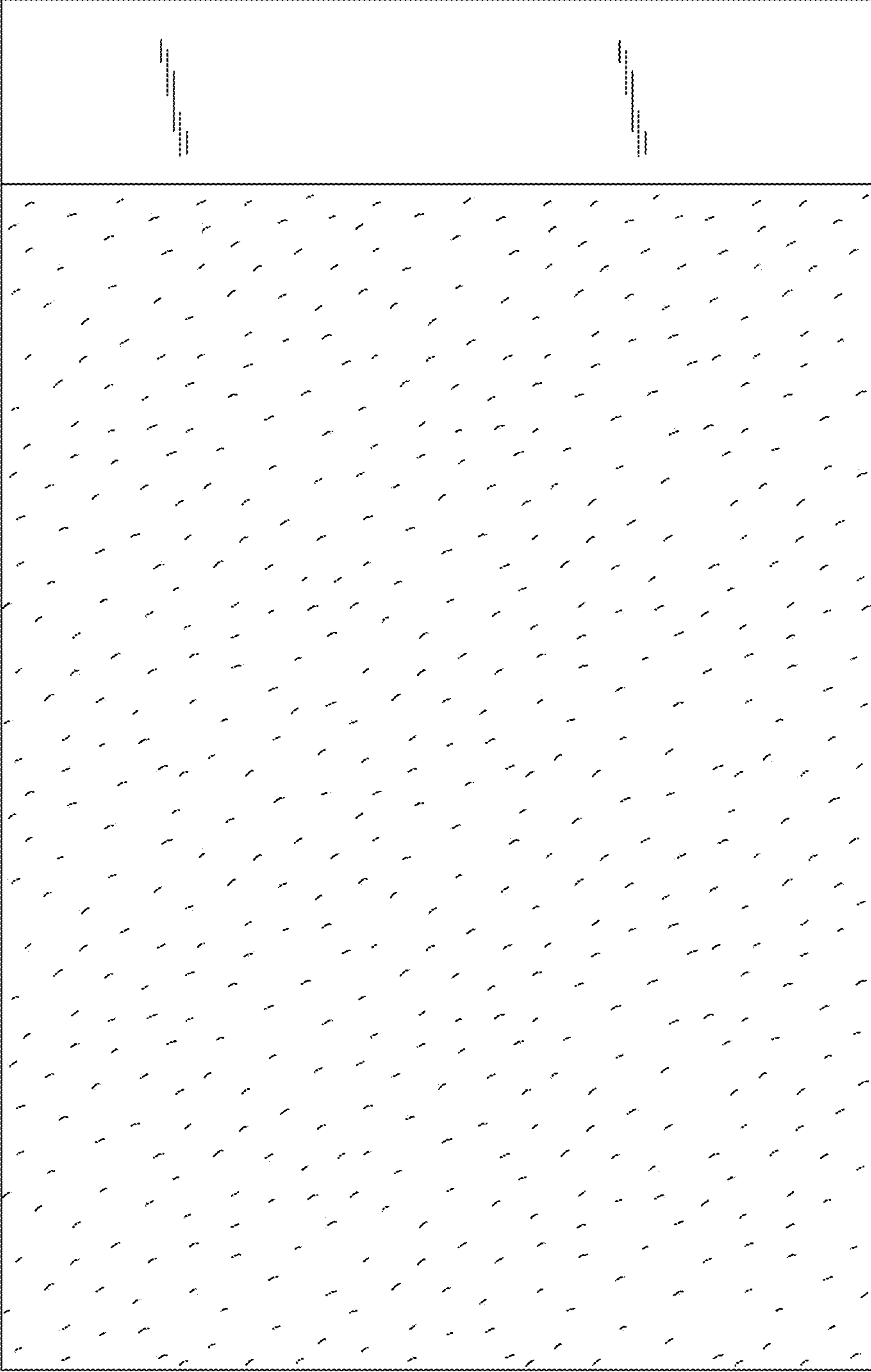


FIG. 4

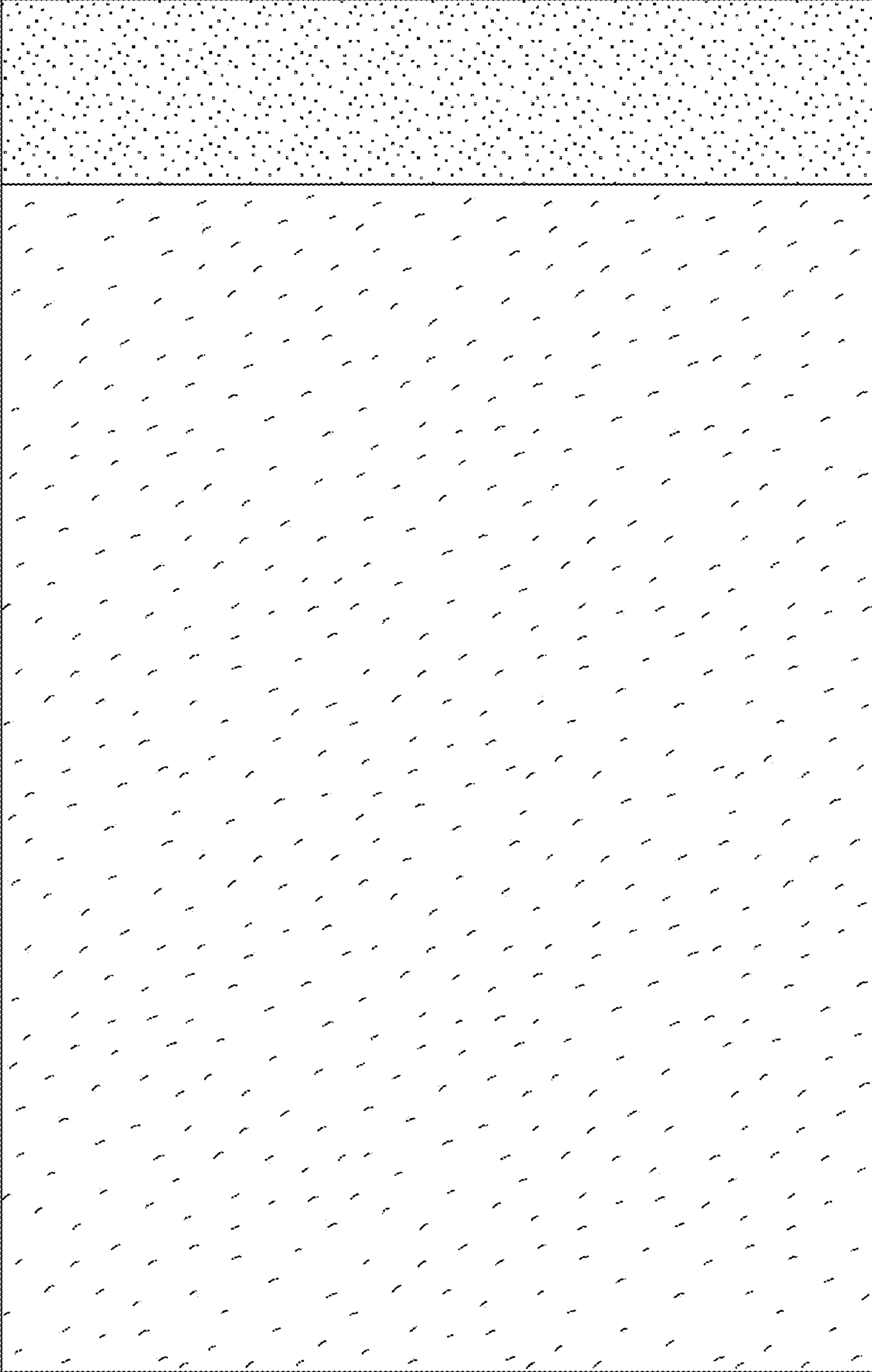


FIG. 5

FIG. 6

FIG. 7

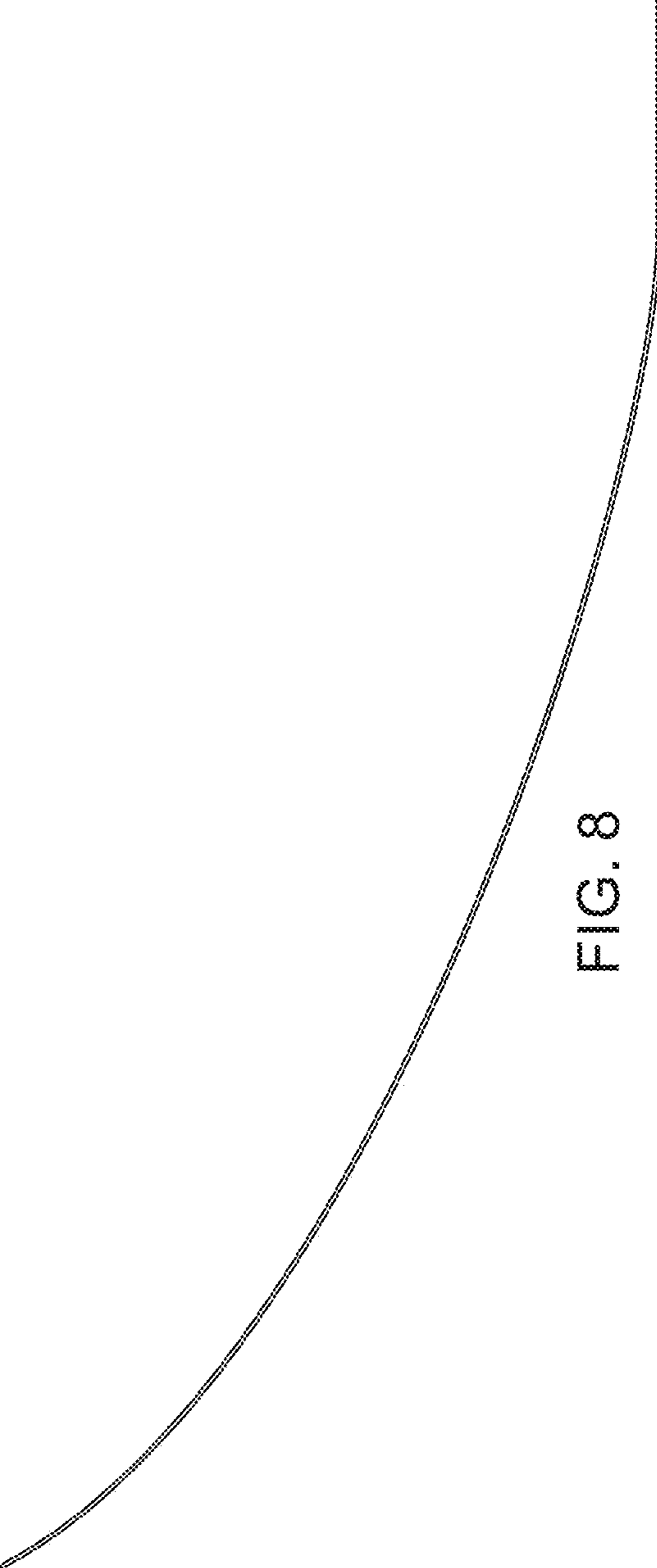


FIG. 8

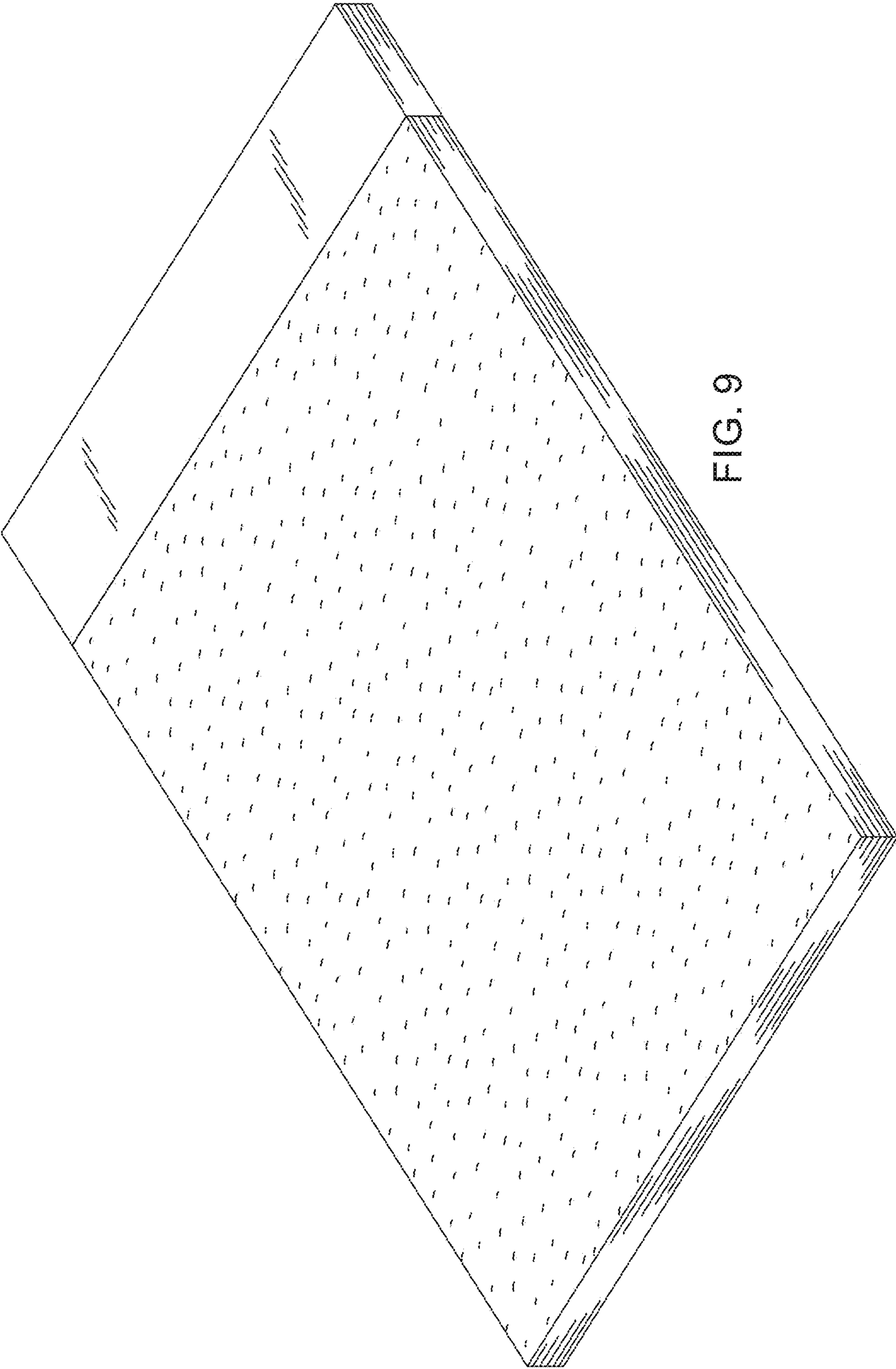


FIG. 9

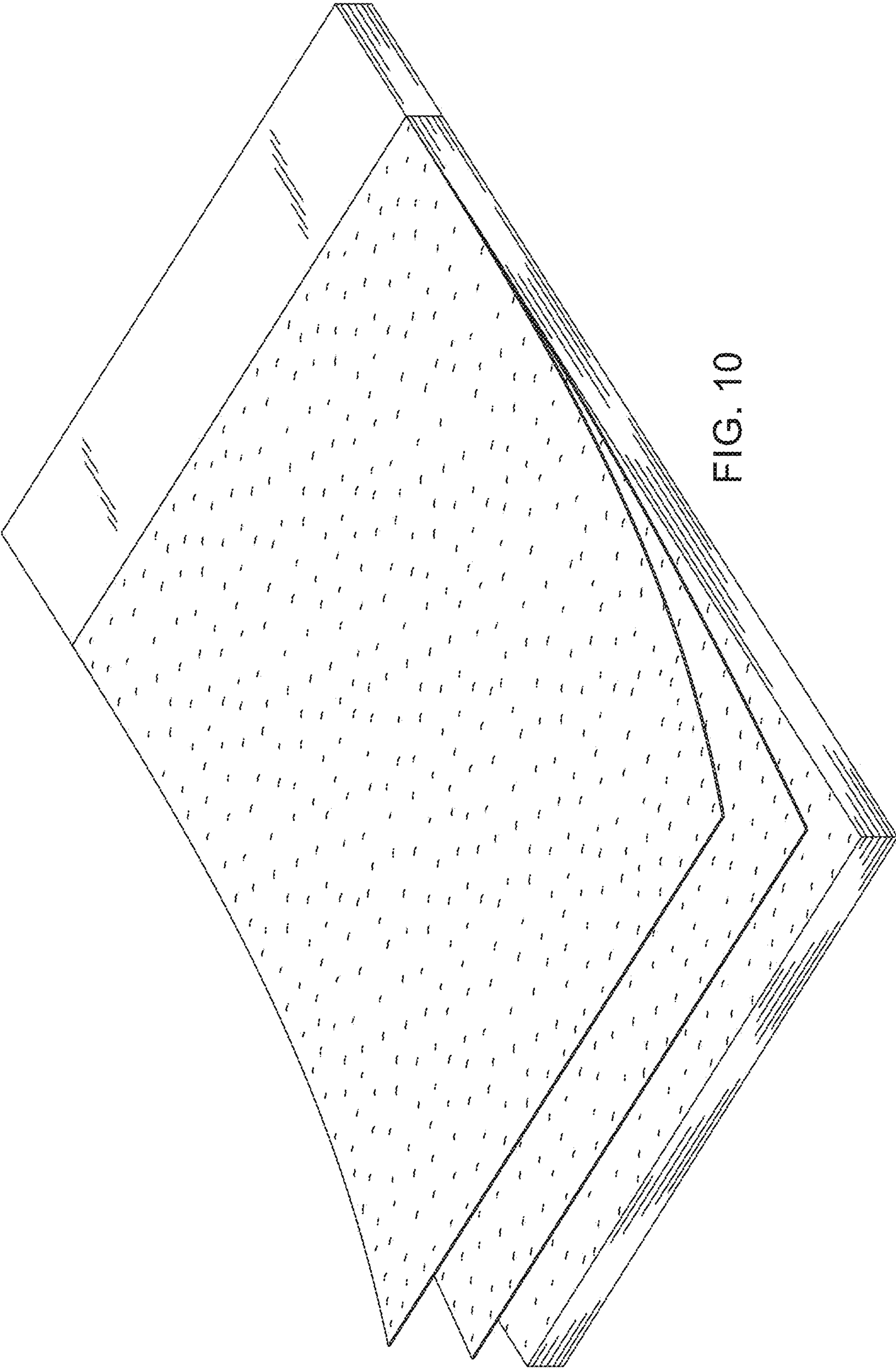


FIG. 10

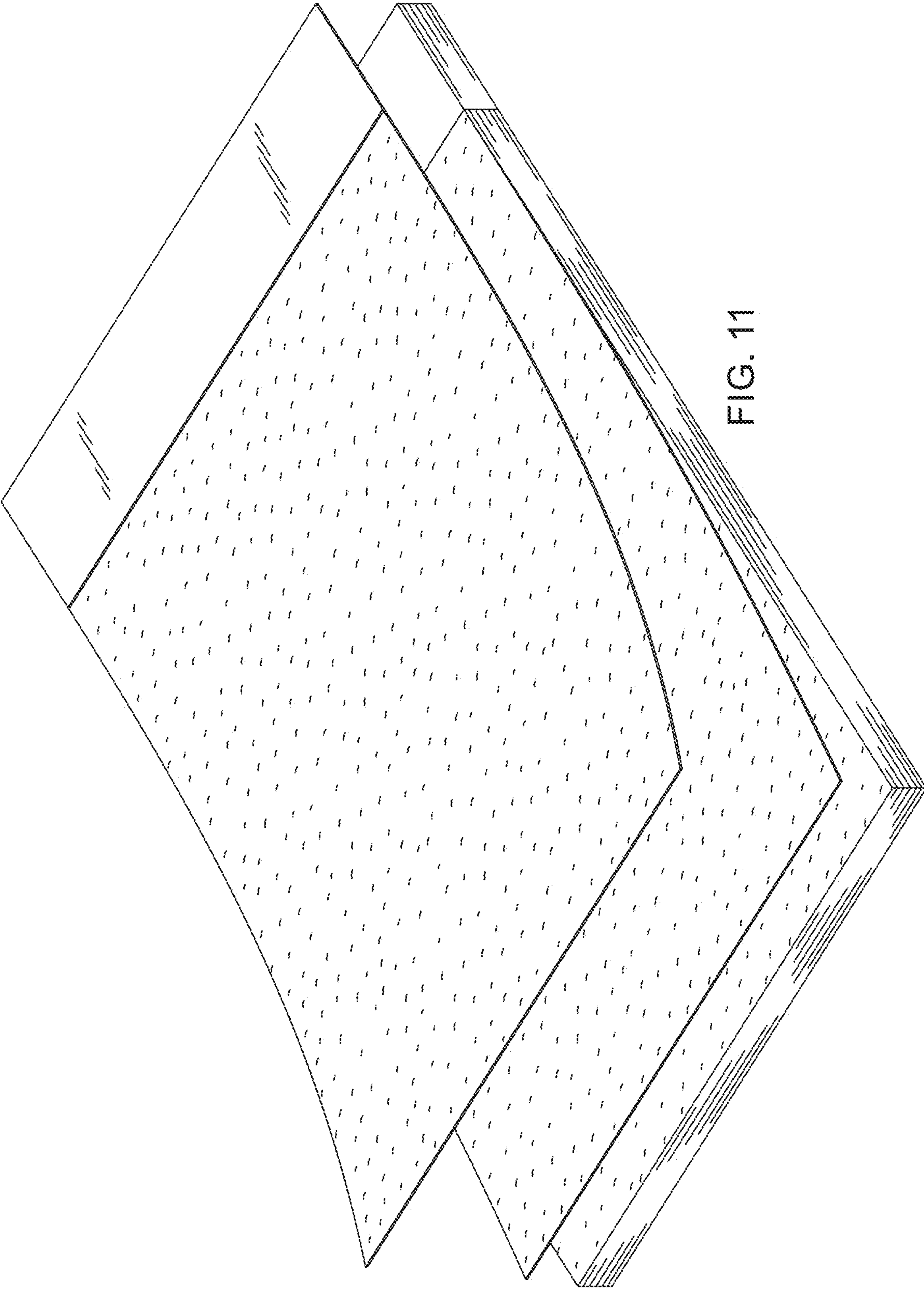


FIG. 11