



US00D927198S

(12) **United States Design Patent**  
**Harrington**

(10) **Patent No.:** **US D927,198 S**

(45) **Date of Patent:** **\*\* Aug. 10, 2021**

(54) **BRUSH HANDLE**

(71) Applicant: **Unger Marketing International, LLC**,  
Bridgeport, CT (US)

(72) Inventor: **William Harrington**, Newtown, CT  
(US)

(73) Assignee: **UNGER MARKETING**  
**INTERNATIONAL, LLC**, Bridgeport,  
CT (US)

(\*\*) Term: **15 Years**

(21) Appl. No.: **29/671,407**

(22) Filed: **Nov. 27, 2018**

(51) **LOC (13) Cl.** ..... **04-01**

(52) **U.S. Cl.**  
USPC ..... **D4/138**

(58) **Field of Classification Search**  
USPC ..... D4/114, 115, 116, 118, 119, 120, 121,  
D4/127, 128, 129, 130, 131, 132, 133,  
D4/134, 135, 136, 137, 138, 199; D28/7,  
D28/63; D32/35, 40, 49, 52; D7/393,  
D7/395; D8/DIG. 7

CPC ..... A46B 5/02; A46B 2200/3033  
See application file for complete search history.

(56) **References Cited**

**U.S. PATENT DOCUMENTS**

D149,677	S *	5/1948	Roblin	.....	D7/395
D193,202	S *	7/1962	Eckersberg	.....	D7/395
5,926,896	A	7/1999	Allemann et al.		
6,073,298	A	6/2000	O'Brien		
6,098,239	A	8/2000	Vosbikian		
6,128,800	A	10/2000	Vosbikian		
6,481,041	B1	11/2002	Ingram		
D498,117	S *	11/2004	Lorthoir	.....	D7/395
D500,927	S *	1/2005	Hay	.....	D4/138
6,865,768	B2	3/2005	Chen		

6,871,372	B2	3/2005	Vosbikian et al.		
6,902,056	B2	6/2005	Dotterman et al.		
7,047,586	B2	5/2006	Shimada et al.		
7,055,204	B2	6/2006	Ajluni		
7,120,962	B2	10/2006	Petner		
7,152,267	B2	12/2006	Kaleta		
7,380,306	B2	6/2008	Broman		
D577,200	S *	9/2008	Meyer	.....	D4/119
D577,201	S *	9/2008	Meyer	.....	D4/119
D577,202	S *	9/2008	Meyer	.....	D4/119
D584,061	S *	1/2009	Meyer	.....	D4/138
7,496,984	B2	3/2009	Pang		

(Continued)

**FOREIGN PATENT DOCUMENTS**

EM	002690958-0001	*	7/2015
EP	0697269 A2		2/1996

(Continued)

*Primary Examiner* — Karen E Eldridge Powers

(74) *Attorney, Agent, or Firm* — Cantor Colburn LLP

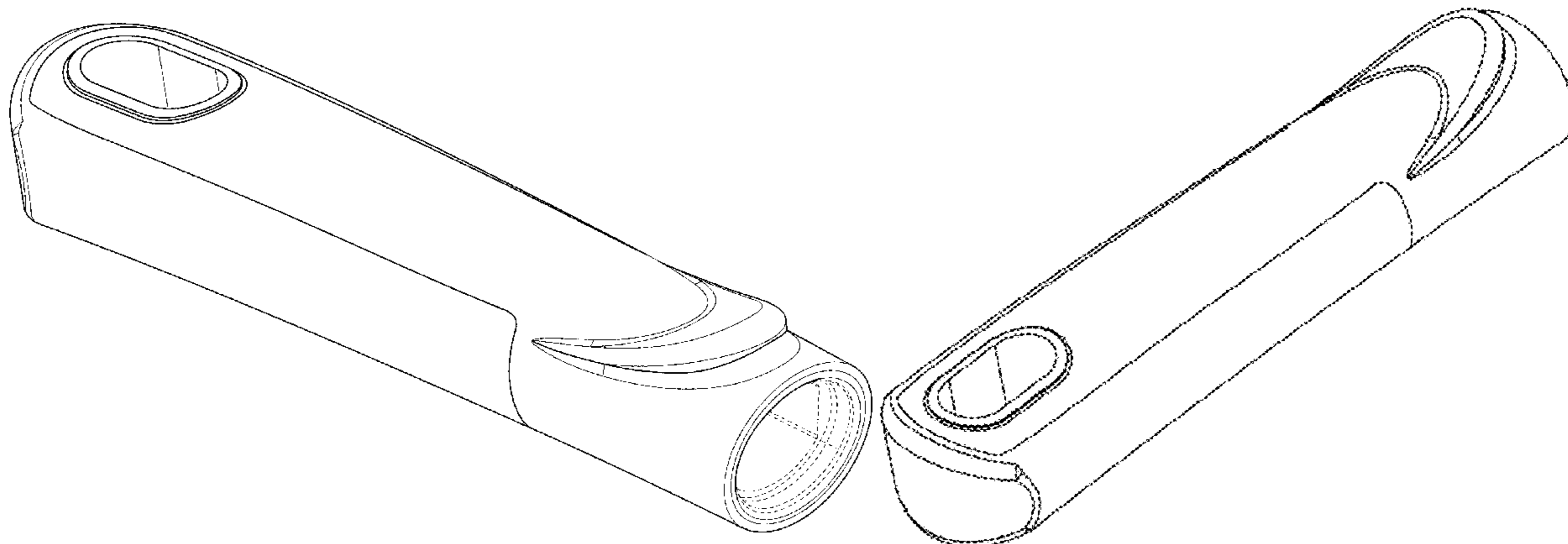
(57) **CLAIM**

I claim, the ornamental design for a brush handle, as shown and described.

**DESCRIPTION**

FIG. 1 is a front top perspective view of my design for a brush handle;  
 FIG. 2 is a front of the design;  
 FIG. 3 is a rear view of the design;  
 FIG. 4 is a first side view of the design, the second side being a mirror image thereof;  
 FIG. 5 is a top view of the design;  
 FIG. 6 is a bottom view of the design;  
 FIG. 7 is a bottom perspective view of the design; and,  
 FIG. 8 is a second top perspective view of the design.  
 The broken lines illustrated in FIG. 1, FIG. 2 and FIG. 7 depict environmental structure that forms no part of the claimed design.

**1 Claim, 7 Drawing Sheets**



(56)

References Cited

U.S. PATENT DOCUMENTS

7,540,056 B2 6/2009 Dotterman et al.  
 7,581,274 B1 9/2009 Michelson  
 7,591,039 B2 9/2009 Kaleta et al.  
 7,757,334 B2 7/2010 Patel et al.  
 7,761,949 B1 7/2010 Hughes, IV  
 D629,647 S \* 12/2010 Munari ..... D7/395  
 7,895,697 B2 3/2011 Cassar  
 D637,037 S \* 5/2011 Bergne ..... D7/395  
 D648,088 S \* 11/2011 Raven ..... D32/40  
 8,407,847 B1 4/2013 Li  
 8,464,389 B2 6/2013 Jiang et al.  
 8,601,631 B1 12/2013 Martin  
 8,640,296 B2 2/2014 Weaver et al.  
 8,719,990 B2 5/2014 Borofsky  
 8,893,343 B2 11/2014 Libman et al.  
 D730,114 S \* 5/2015 Barberi ..... D7/395  
 9,078,547 B2 7/2015 Cheng et al.  
 9,226,638 B2 1/2016 Zeng et al.  
 D754,975 S 5/2016 Buckley et al.  
 D765,470 S \* 9/2016 Schuler ..... D7/395  
 9,480,382 B2 11/2016 Caillou et al.  
 D784,780 S \* 4/2017 Jenkins ..... D8/1  
 9,750,386 B2 9/2017 Zeng et al.

D830,065 S \* 10/2018 Harrington ..... D4/138  
 D837,530 S \* 1/2019 Renner ..... D4/128  
 D841,919 S \* 2/2019 Renner ..... D32/52  
 D845,739 S \* 4/2019 Niccolai ..... D8/107  
 D846,889 S \* 4/2019 Renner ..... D4/138  
 D886,520 S \* 6/2020 Fabra Ferrer ..... D7/395  
 2004/0074520 A1 4/2004 Truong et al.  
 2005/0115008 A1 6/2005 Cassar  
 2005/0158116 A1 7/2005 Belansky et al.  
 2006/0090275 A1 5/2006 Libman  
 2007/0089255 A1 4/2007 Michelson et al.  
 2009/0094791 A1 4/2009 Blom  
 2010/0313370 A1 12/2010 Lin  
 2013/0104328 A1 5/2013 Weaver et al.  
 2014/0053870 A1 2/2014 Tuman et al.  
 2015/0282688 A1 10/2015 Rashid  
 2016/0256030 A1 9/2016 Libman et al.  
 2018/0015607 A1 1/2018 Weaver et al.

FOREIGN PATENT DOCUMENTS

EP 1014844 B1 7/2000  
 EP 1985221 A1 10/2008  
 EP 2856920 A2 4/2015  
 EP 3033967 A1 6/2016

\* cited by examiner

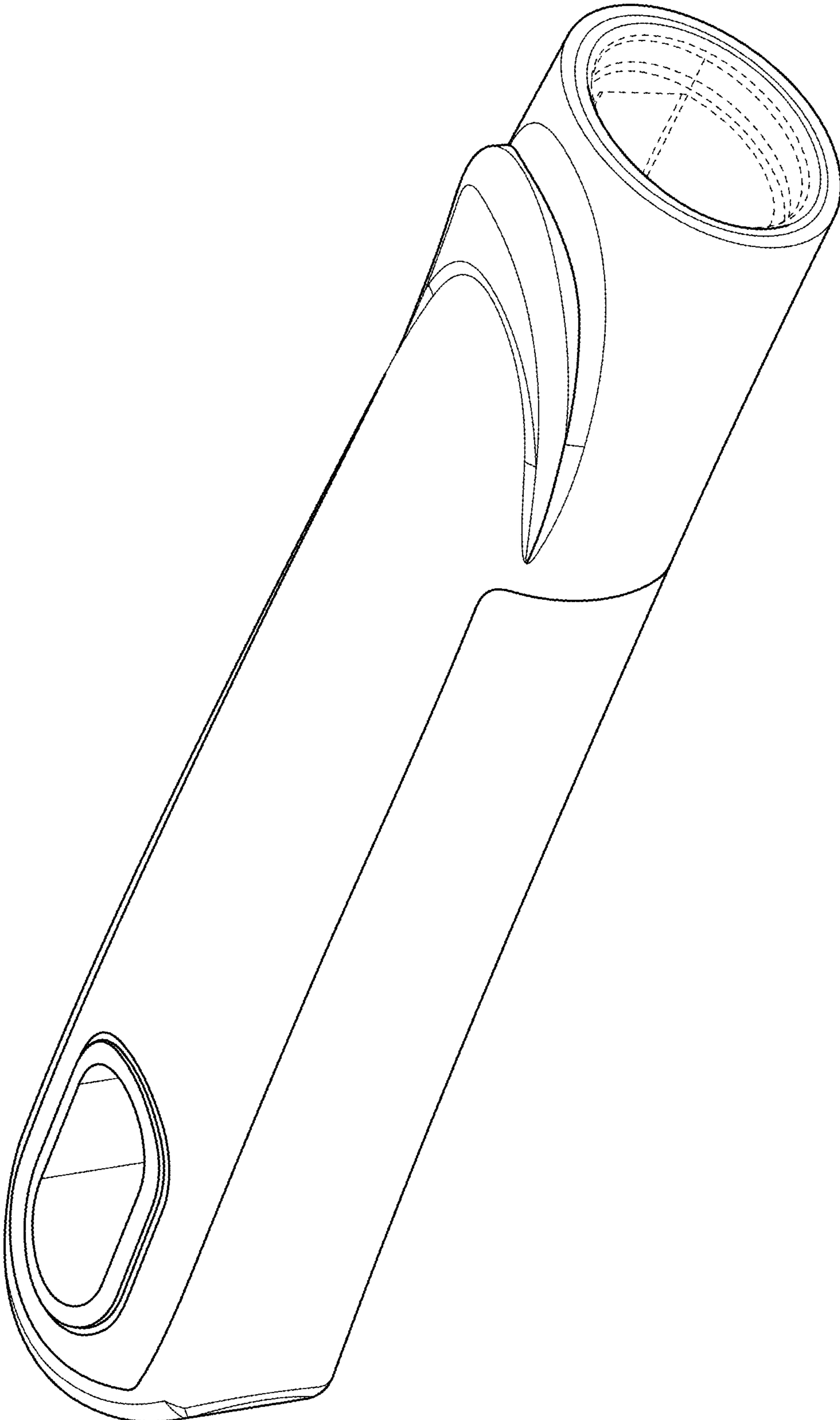


FIG. 1

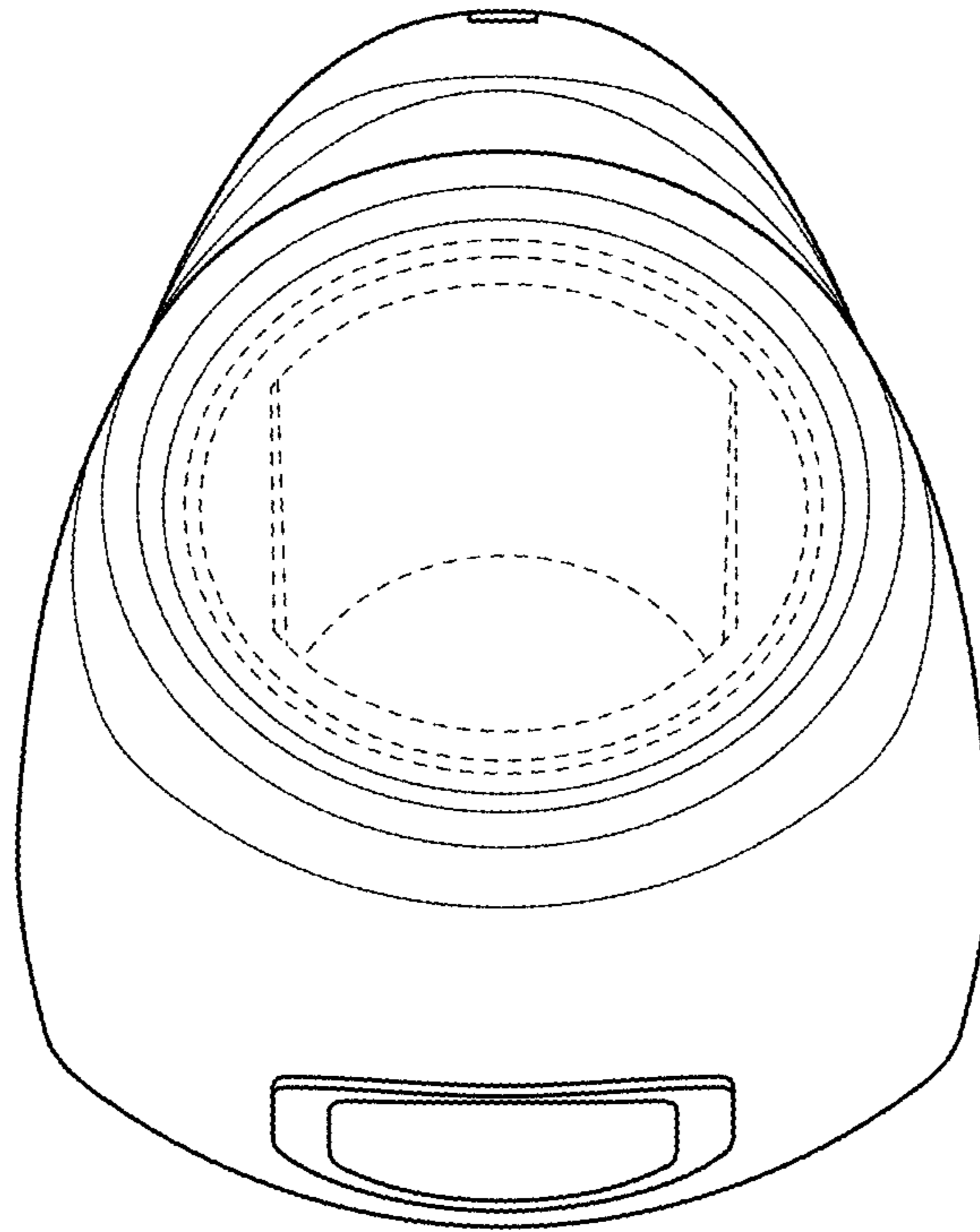


FIG. 2

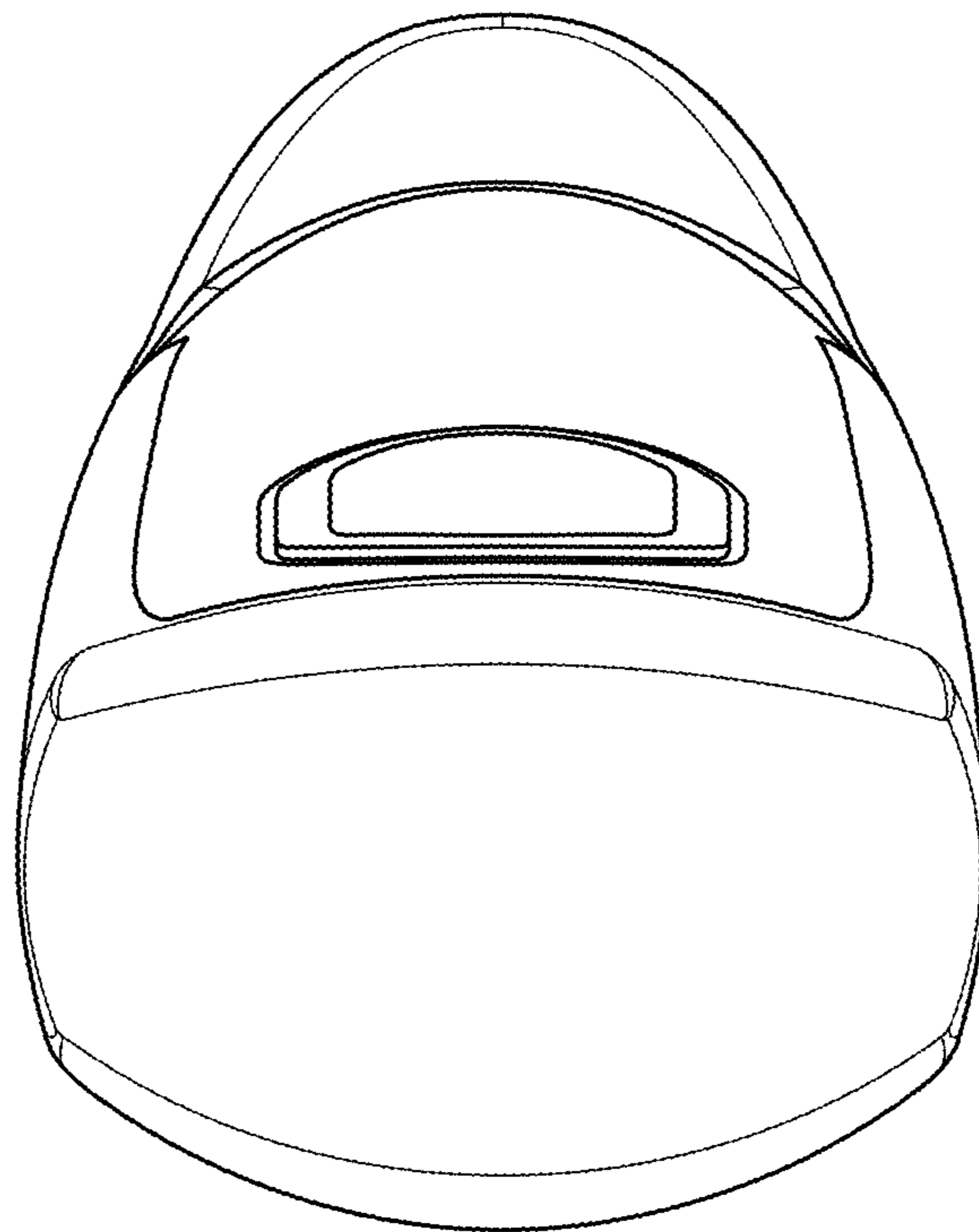


FIG. 3

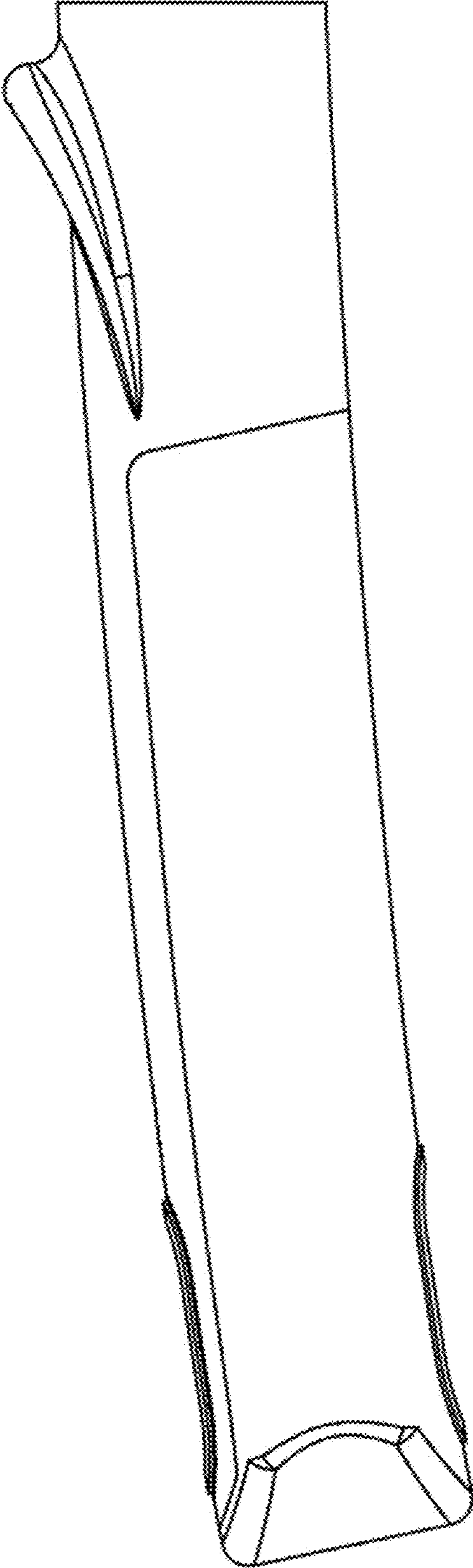


FIG. 4

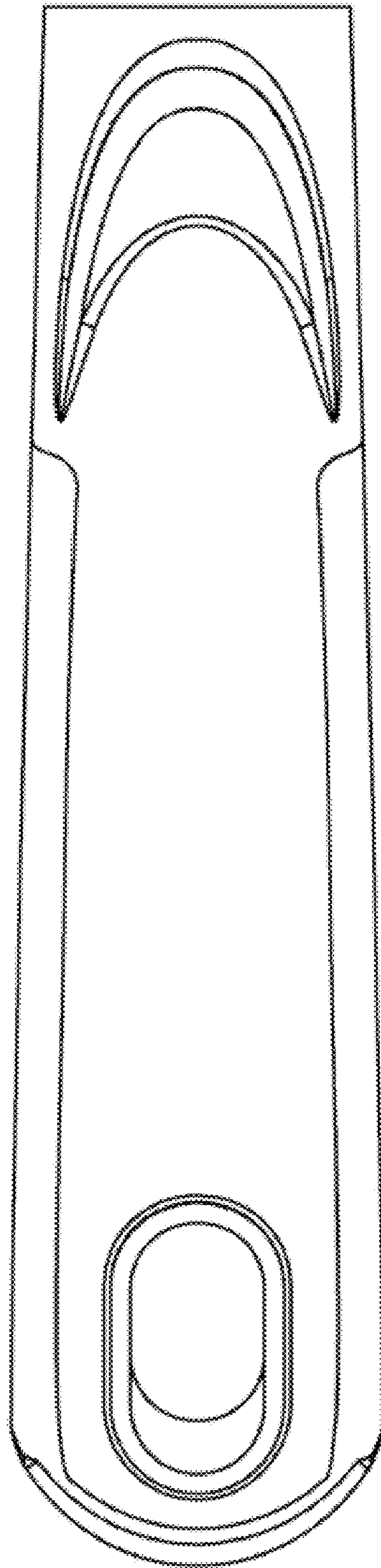


FIG. 5

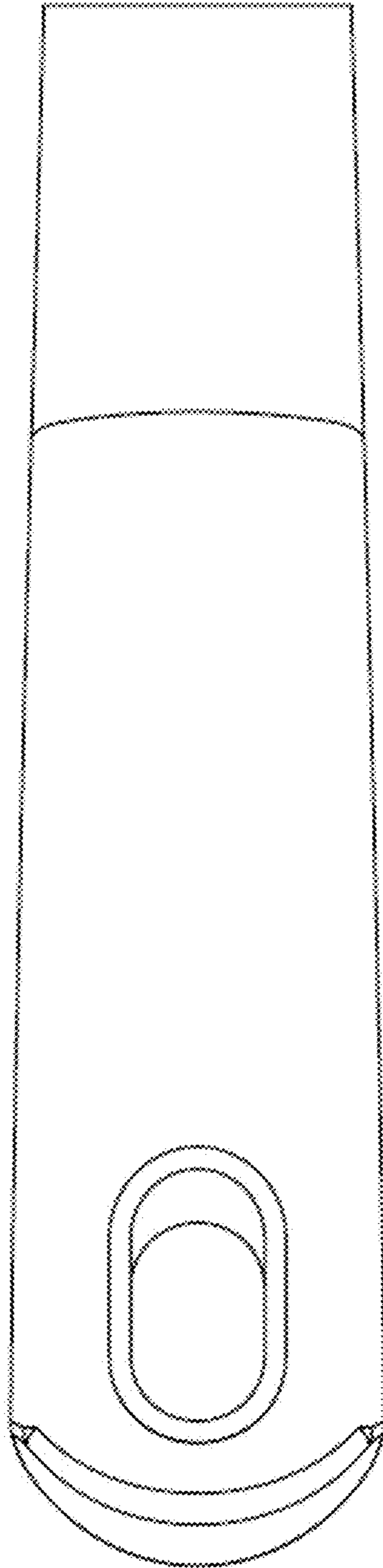


FIG. 6

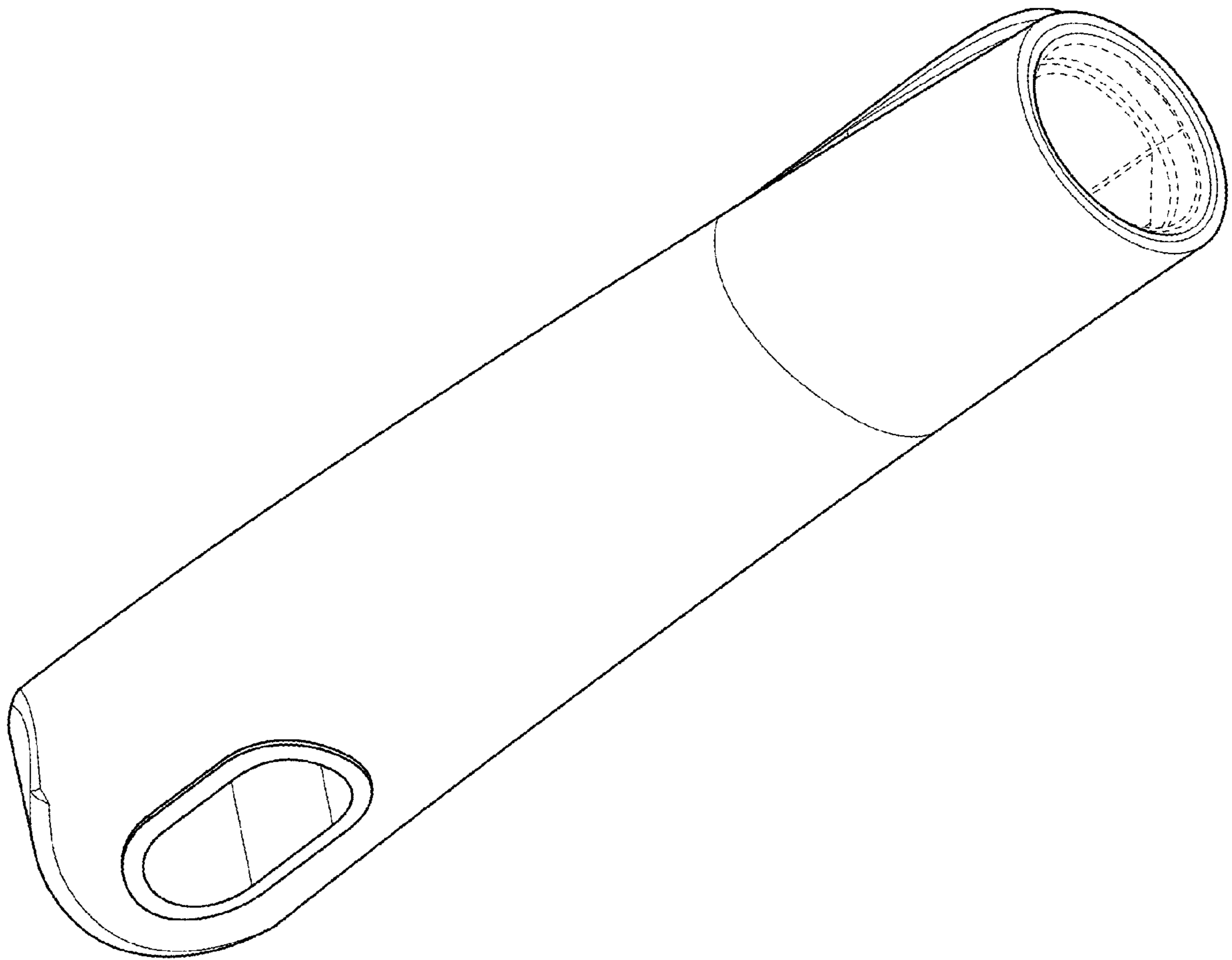


FIG. 7



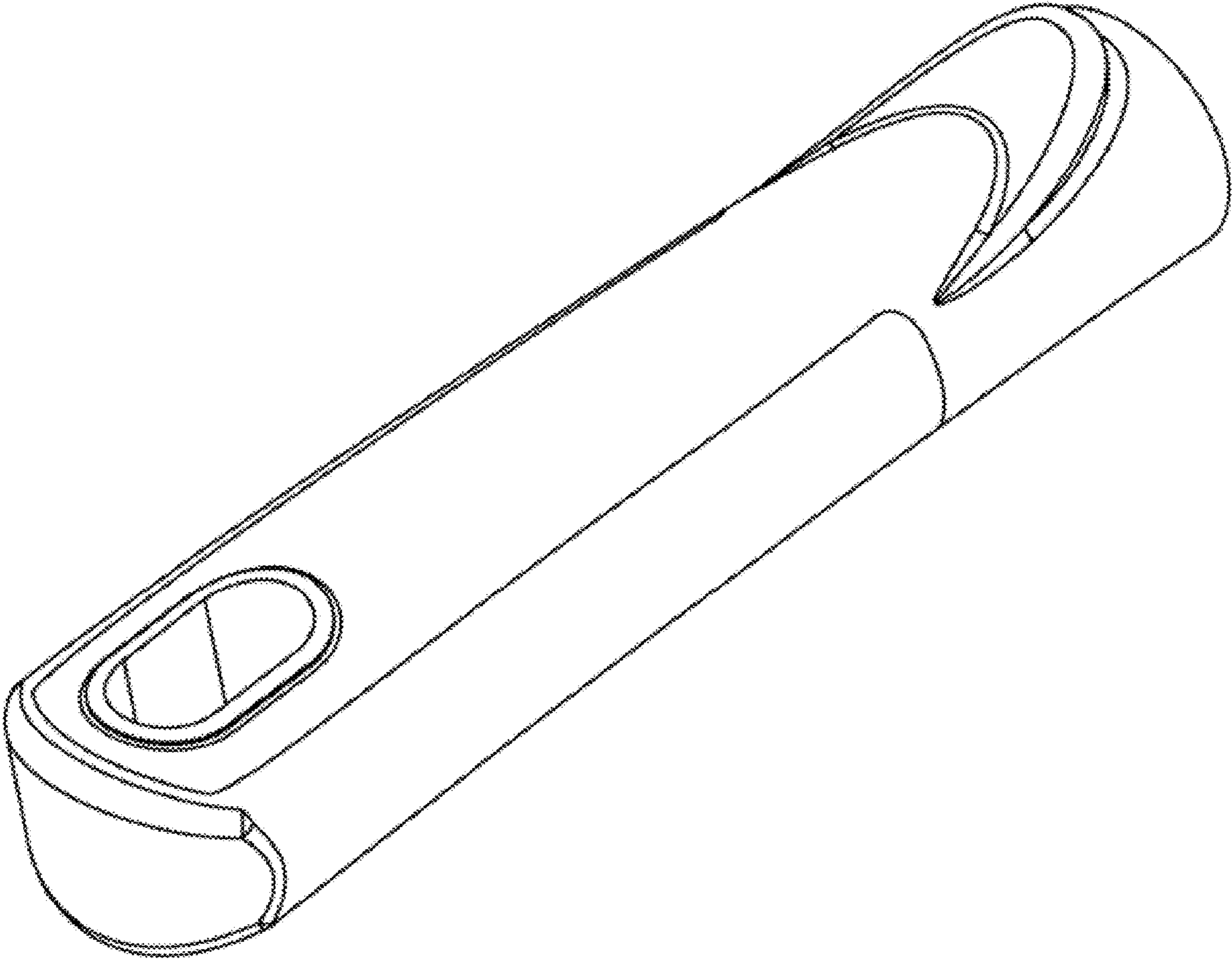


FIG. 8